

Rain Guard Accessory Installation for Roof Mount Power Attic Vents and Static Vents

Thank you for purchasing the XXRAINGUARD accessory!

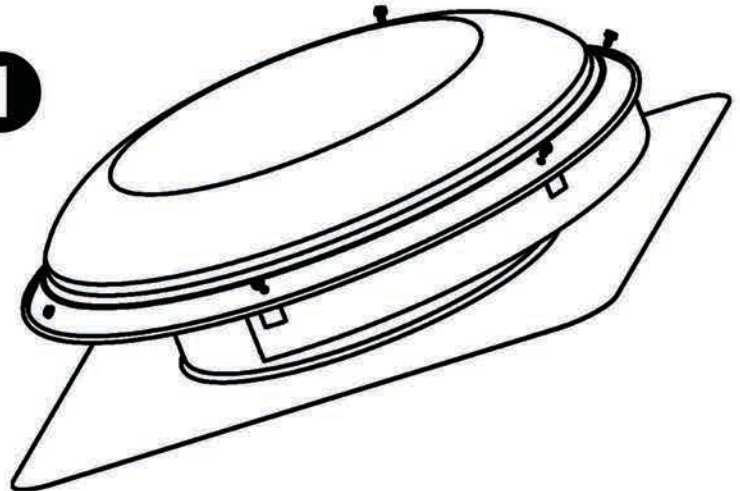
This product is intended for use with all Maxx Air roof-mounted, powered attic ventilators and all VX25 static vents.

The purpose of the product is to allow the compatible products to be installed on roofs with pitches **greater than** 8/12 but **not greater than** 12/12 and prevent water infiltration into the attic space. The product attaches to the existing ventilator with existing hardware.

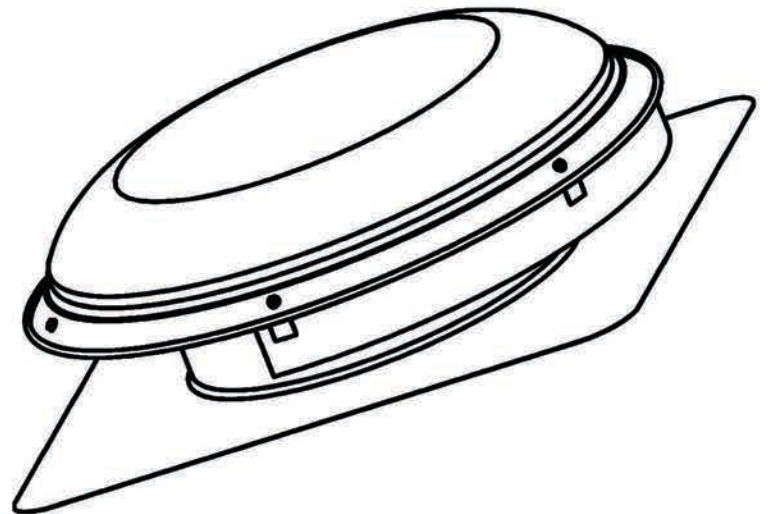
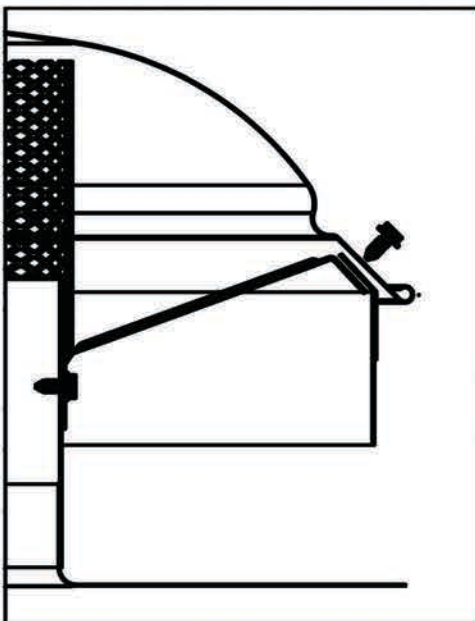
Tools needed: 1/4" nut driver

1. Remove the four uppermost screws used to attach the dome to the dome brackets.
2. Align the tabs of the rain guard with the four uppermost holes of the dome and slide the tabs of the rain guard in between the bottom side of the dome and the dome brackets. Re-insert the dome screws removed in step one ensuring the screws pass through the holes in the rain guard tabs.

1



2



Due to our continual improvement, specifications are subject to change without notice.

VENTAMATIC, LTD. P.O. BOX 728, MINERAL WELLS, TX 76068 • PHONE 80-433-1626 • FAX 940-325-9311 • WWW.MYMAXXAIR.COM