

WS-600A

# PRODUCT MANUAL

★All we do our best for the particular and definitude of the products information making , but only for reference , please depend on the practise and reality in detail .

★Our company keep down the authority of amending the aspects and the spare parts , according as the scheme's or parameter's redressal

which was come out from technical renewal , sorry to will not offer any notice.

★our company reserve the final explanation and modify right for all the contents.



Do not dispose this product as unsorted municipal waste. Collection of such waste separately for special treatment is necessary.

Dear Guest,

Thank you very much for purchasing our sanitary ware. To enable you to use this product safely and effectively, please read this installation and operation manual carefully before use.

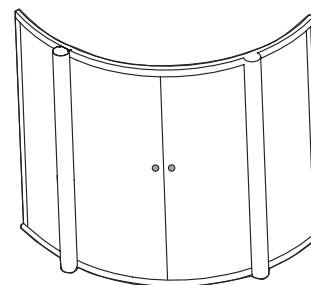
CAUTIONS

1. Please ensure that the product installed reliable electric leakage protection device, the power plug contains earth line, and make sure it is reliable earth line. Check the protect system of leakage protection each time before use.
2. Do not turn on water pump, heat pump or air bubble pump without water.
3. Before turn on water pump, check if the water level over jets 10 to 20 mm or not, make sure regular usage of water pump otherwise it will be destroy because of water leakage.
4. People with Hypertension symptom, after drink or heart disease are not allowed to use the bathtub. Children have a bath must under adult's guidance.
5. During use please noticed that don't blocked the jets and avoiding the air adjustment valve overflowing. Also keep the bathtub clean and don't let it blocked by hair or mess.
6. During use, please firstly adjust the water temperature or it will be burned.
7. The bathtub is designed with ergonomic, rise and fall changes are quite big so during usage pay more attention of be slipped.
8. Please shut down the system when not to use.

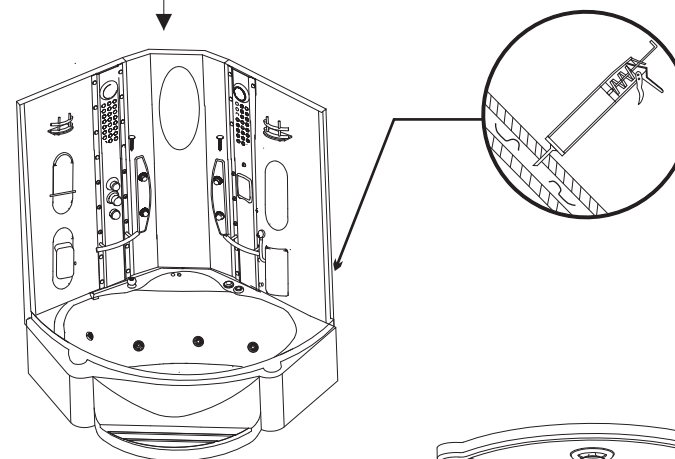
TECHNIQUE PARAMETER

Voltage	Frequency	Water Volatge	Power of steam generator	Power of water pump	Power of heat pump	Power of air pump
AC220V (±10%)	50/60HZ	0.1~0.2Mpa	3KW	1HP	1.5KW	0.2KW

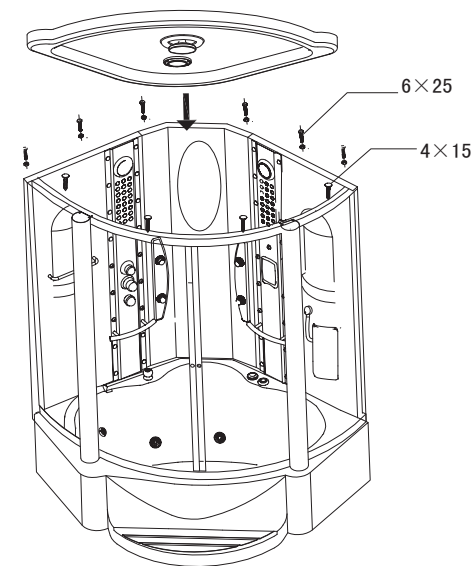
CAUTIONS: Heat pump and air bubble pump is required by customers.



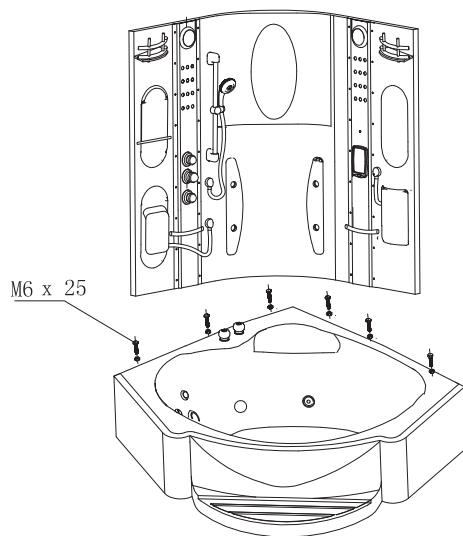
STEP6



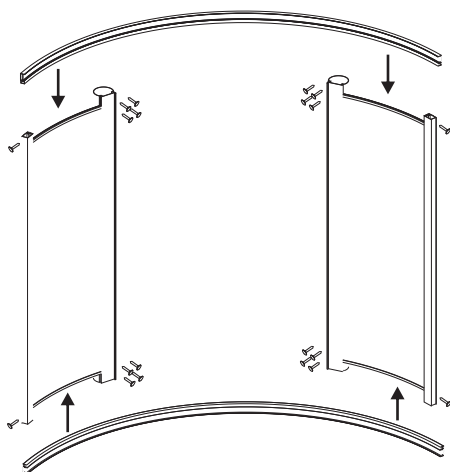
STEP7



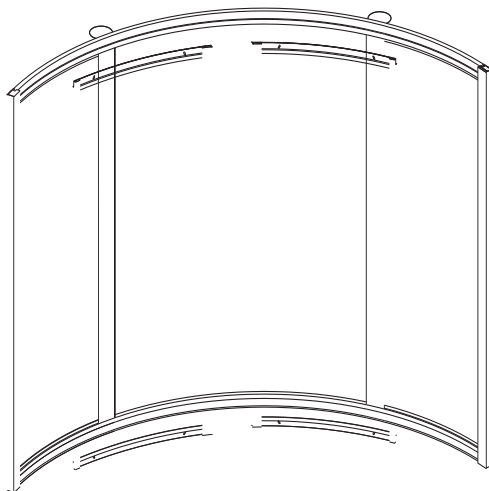
STEP3



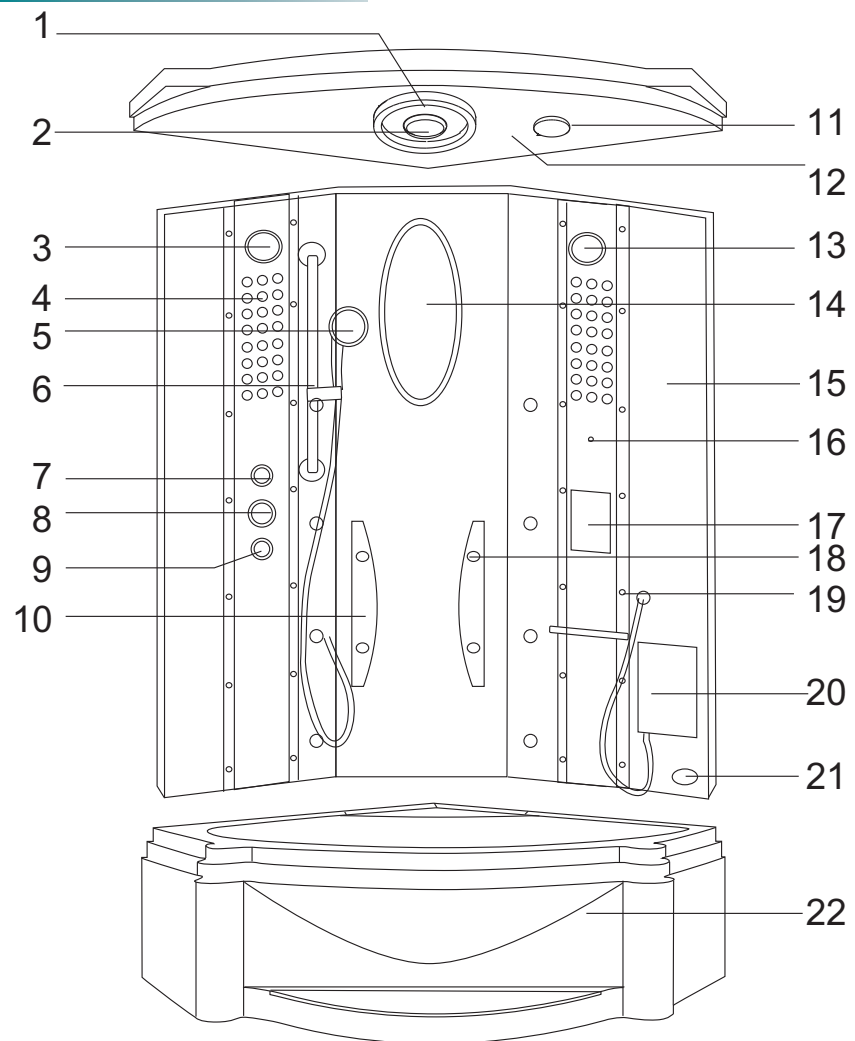
STEP4



STEP5

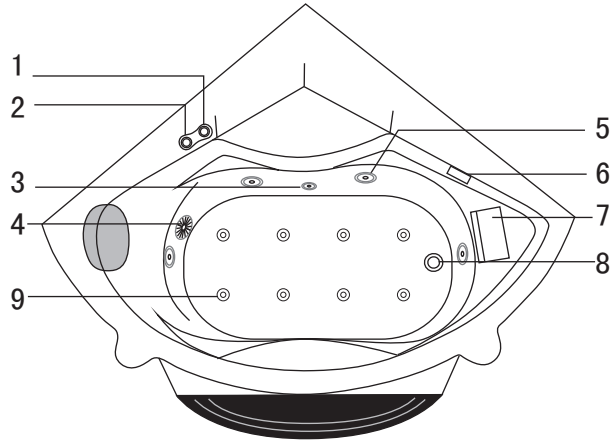


CONSTRUCTION SKETCH

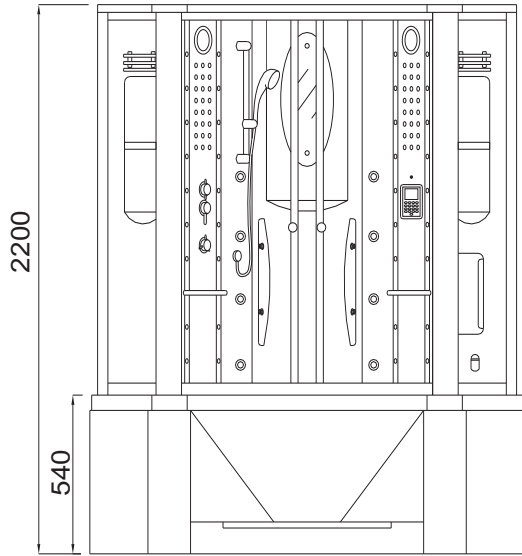


- |                         |                         |                       |
|-------------------------|-------------------------|-----------------------|
| 1.rooflamp              | 8.cold/hot water switch | 15.room body          |
| 2.top shower            | 9.function shift switch | 16.temperature sensor |
| 3.speak                 | 10.waist-shaped board   | 17.controp panel      |
| 4.decorated lamp        | 11.ozone                | 18.nozzle             |
| 5.moveable shower       | 12.roof                 | 19.nozzle             |
| 6.shower moveable rail  | 13.exhaust fan          | 20.foot massage       |
| 7.function shift switch | 14.mirror               | 21.steam out          |
|                         |                         | 22.bottom bathtub     |

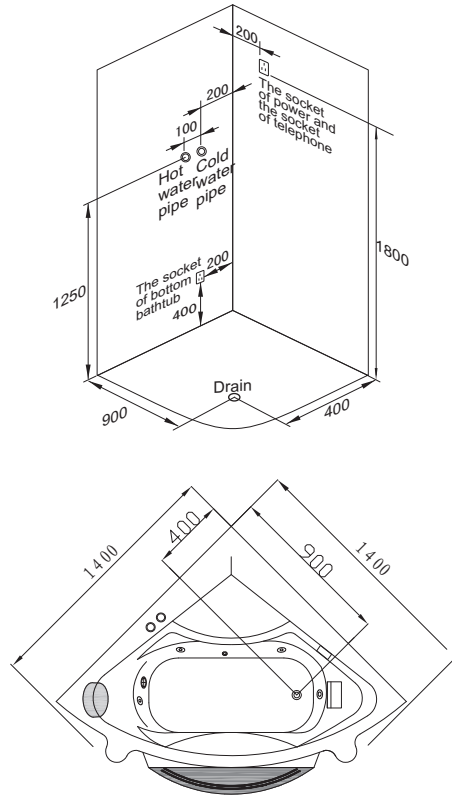
- 1、 water pump switch
- 2、 air regulator
- 3、 bottonlamp
- 4、 water suction
- 5、 water jet
- 6、 draining switch
- 7、 waterfall
- 8、 drainage
- 9、 air bubble jet



INSTALLATION SKETCH

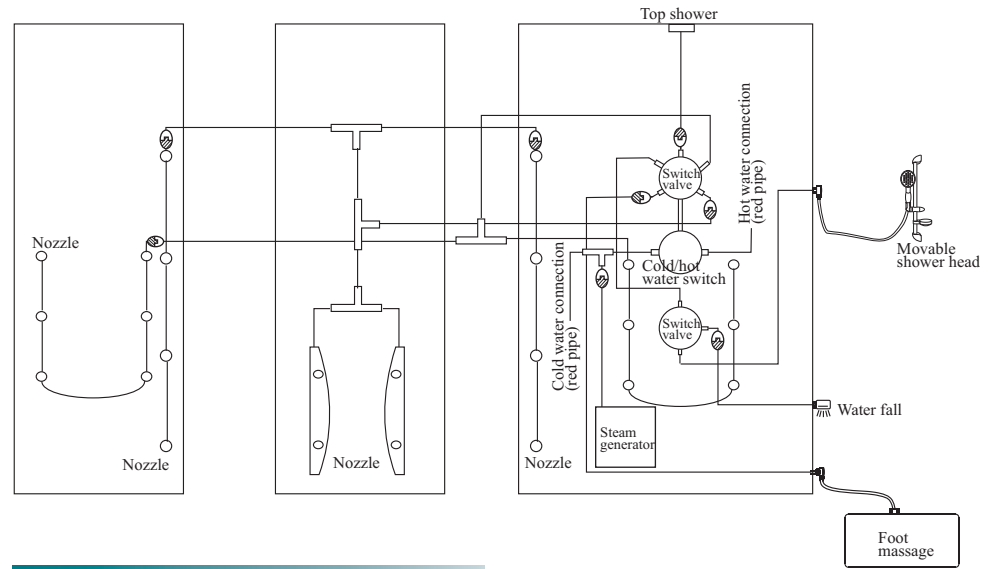


SIZE:1400X1400X2200mm



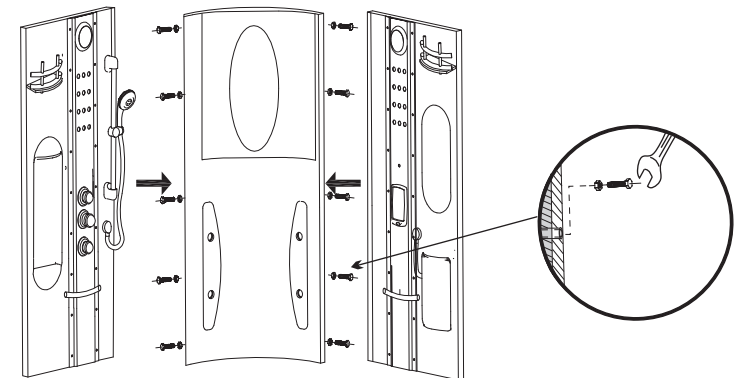
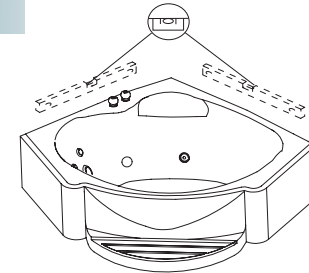
Drawing of water connection

As the “” “” from the picture, please make the connection according to the serial number v1,v2,etc.



INSTALLATION PROCESS

STEP1



STEP2