



**Montezuma**<sup>®</sup>  
LIFE ORGANIZED

OWNER'S MANUAL  
**SHOPBOX**<sup>™</sup>

SB360DB/SB180DB/SB150D

[www.montezumastorage.com](http://www.montezumastorage.com)

# LIFE ORGANIZED

Montezuma is committed to helping you succeed in both your work and personal life by being organized, prepared and equipped with the right tools, gear and home supplies at your finger tips.

Keep your life organized with Montezuma.

Thank you for your purchase of this Montezuma Shopbox.

## ATTENTION

**TO REDUCE THE RISK OF INJURY, THE USER MUST READ AND UNDERSTAND THIS INSTRUCTION MANUAL BEFORE USING THIS PRODUCT FOR THE FIRST TIME. SAVE THESE INSTRUCTIONS FOR FUTURE REFERENCE.**

**FOR INDOOR USE ONLY. NOT WEATHER RESISTANT OR WATERPROOF.**

Fill in the following information and retain this owner's manual for future reference:

MODEL(S):

---

DATE OF PURCHASE:

---

PLACE OF PURCHASE:

---

RECEIPT NO:

---

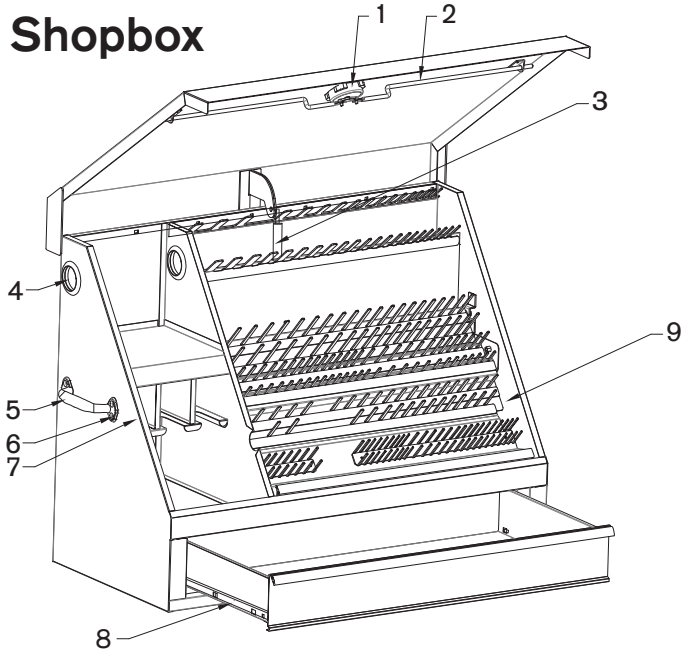
# PARTS LIST

## 36" x 17" Shopbox

SB360DB



The keys are taped to the top storage area of the chest.



| REF | DESCRIPTION            | PART NUMBER | QTY |
|-----|------------------------|-------------|-----|
| 1   | Lock and Key (E01-E20) | 231365      | 1   |
| 2   | Locking Bar            | 231318      | 2   |
| 3   | Gas Shock              | 231333      | 1   |
| 4   | Grommet                | 231301      | 2   |
| 5   | Side Handle            | 231336      | 2   |
| 6   | Screws for Side Handle | 231337      | 8   |
| 7   | Nuts for Side Handle   | 231310      | 8   |
| 8   | Slide Set              | 231311      | 1   |
| 9   | Gas Strut              | 231312      | 2   |

To order replacement parts, email [service@montezumastorage.com](mailto:service@montezumastorage.com) or call 1-800-459-4409 (Monday-Friday, 8:00 am-4:30 pm, CST). Have the part number and quantity ready. Replacement keys may be ordered using the code that appears on the face of the lock. Not all parts are covered under warranty. Those parts not covered can be purchased.

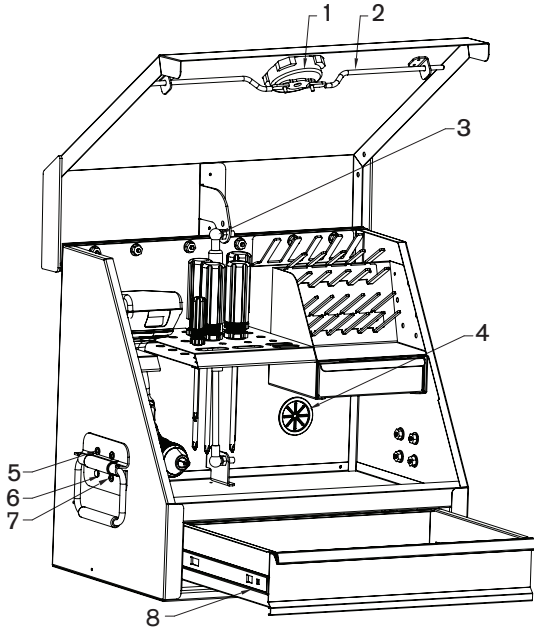
# PARTS LIST

## 18" x 12" Shopbox

SB180DB



The keys are taped to the top storage area of the chest.



| REF | DESCRIPTION            | PART NUMBER | QTY |
|-----|------------------------|-------------|-----|
| 1   | Lock and Key (E01-E20) | 231365      | 1   |
| 2   | Locking Bar            | 321320      | 2   |
| 3   | Gas Shock              | 231330      | 1   |
| 4   | Grommet                | 231302      | 1   |
| 5   | Side Handle            | 231361      | 2   |
| 6   | Screws for Side Handle | 231362      | 8   |
| 7   | Nuts for Side Handle   | 231363      | 8   |
| 8   | Slide Set              | 231309      | 1   |

To order replacement parts, email [service@montezumastorage.com](mailto:service@montezumastorage.com) or call 1-800-459-4409 (Monday-Friday, 8:00 am-4:30 pm, CST). Have the part number and quantity ready.

Replacement keys may be ordered using the code that appears on the face of the lock.

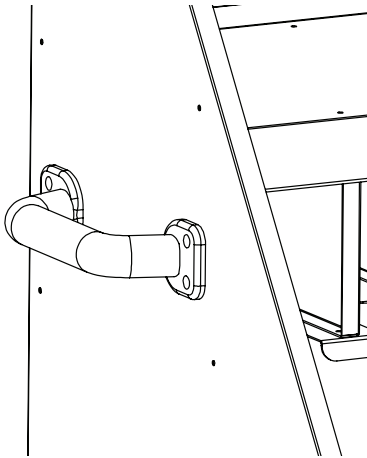
Not all parts are covered under warranty. Those parts not covered can be purchased.

# SIDE HANDLE INSTALLATION

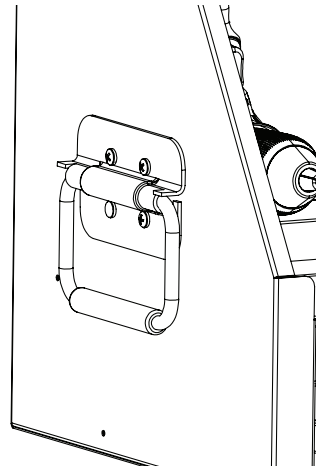
The side handles on the SB360DB and SB180DB need to be installed. Attach each side handle using the screws and nuts provided. Refer to the illustration below that matches your model.

NOTE THAT THE HANDLE IS PRE-INSTALLED ON THE SB150B.

**SB360DB**



**SB180DB**

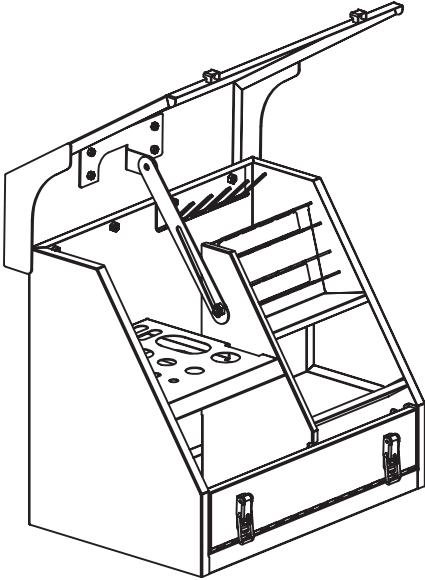


## SMALL PARTS TRAY

The SB180DB includes a small parts tray. To remove, tip the tray upwards.

# OPERATION OF HANDHELD SHOPBOX

## 15" x 10.5" Shopbox SB150B



NOTE: There are no replacement parts for the SB150B.

**TO CLOSE THE LID:** Lift the lid support bar to unlock the lid, then close the lid.

**TO OPEN THE BOTTOM PANEL:** Slide retaining pins towards the center of the box on both sides.

### **WARNING**

Make sure the drop down panel on the front of the box is secured, the lid is down and the front draw bolts are securely fastened before moving the handheld shopbox.

The draw bolts include padlock eyes to lock the lid. Padlock(s) not included.

# MAINTENANCE

Periodically clean the unit surfaces with mild detergent and water.

Auto wax can be used on painted steel toolboxes to preserve the unit's luster finish and protect against scratches. Apply the wax as you would to a car.

On shopboxes that have a drawer, lubricate the slides (twice a year) with a product like WD40 or other quality lubricant. This is especially important in low temperatures, which can cause the bearing to become stiff.

Grease and oil can be removed with most standard cleaning fluids. For safety, use a nonflammable cleaning fluid.

# SAFETY

## WARNING

This product is not water or weather resistant. Use in indoor locations only. Exposure to water, weather or other outdoor conditions could result in product damage.

Keep children away from the shopbox. Do not allow them to hang on the handles or other parts of the shopbox. This could cause personal injury or product damage.

Do not attempt to lift the unit by its handles using chains, ropes or other lifting devices. The handle could fail, which may cause personal injury or damage to the product.

Do not stand on the toolbox.

Do not alter this toolbox in any manner. For example, do not weld external lockbars or attach electrical equipment. This may cause product damage or personal injury.

Completely close and lock the lid before moving this product. The lid could come open and make the product unstable, which may cause personal injury or product damage.

Be careful with sharp edges.

## CAUTION

**SB360DB:** The maximum product weight, including contents, is 400 lb (181 kg). The maximum weight for the drawer should be no more than 100 lb (45 kg).

**SB180DB:** The maximum product weight, including contents, is 200 lb (91 kg). The maximum weight for the drawer should be no more than 70 lb (32 kg).

**SB150B:** The maximum product weight, including contents, is 50 lb (22.7 kg). We do not recommend an individual to carry a handheld shopbox over 50 lb (22.7 kg).

Keep the product on level surfaces. The product could become unstable and tip if stored on an uneven surface, which may cause personal injury or product damage.

Always wear ANSI approved safety goggles when working with tools and equipment.





This product is warranted to be free from defects in materials and workmanship for a period of five (5) years from the date of original purchase.

If this product is defective, email [service@montezumastorage.com](mailto:service@montezumastorage.com) or call 1-800-459-4409 (Monday–Friday, 8:00 am–4:30 pm, CST). If the product is defective, we will replace the defective part at no cost to you.

Please do not ship your product back to the store or to us unless we send you written instructions for return.

In the event it becomes necessary for your product to be returned, we will notify you how to proceed.

A copy of your original purchase receipt must accompany the returned product.



**WARNING**

Cancer and Reproductive Harm – [www.P65Warnings.ca.gov](http://www.P65Warnings.ca.gov)



**Montezuma**<sup>®</sup>  
LIFE ORGANIZED

Manufactured by:

**QUALITY CRAFT**

Romeoville, IL 60446

service@montezumastorage.com

1-800-459-4409

(Monday to Friday, 8:00 am–4:30 pm, CST)

Made in China

[www.montezumastorage.com](http://www.montezumastorage.com)

FORM#: MZSBDB-12/20