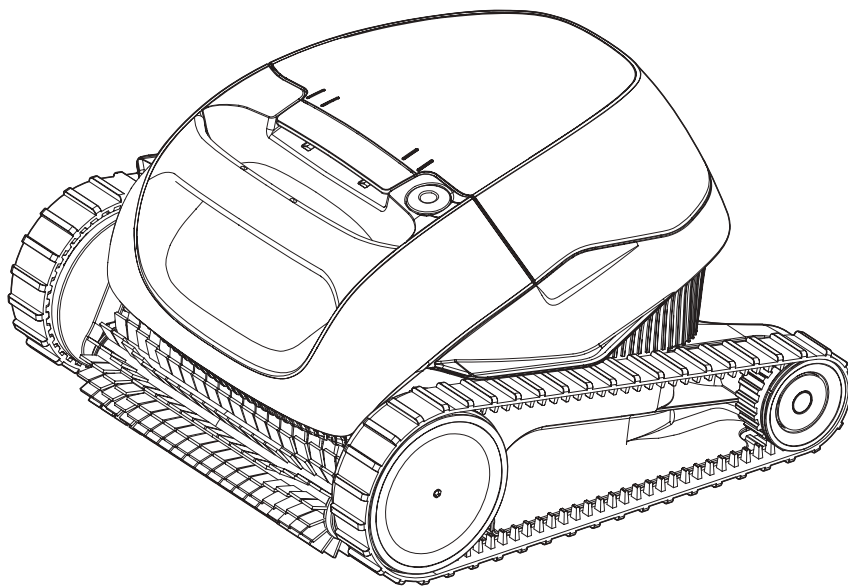




**PROWLER<sup>®</sup> 910** (P/N 360321)

**WARRIOR<sup>®</sup> SL** (P/N 360493)

ROBOTIC ABOVEGROUND POOL CLEANER



## INSTALLATION AND USER'S GUIDE

IMPORTANT SAFETY INSTRUCTIONS  
*READ AND FOLLOW ALL INSTRUCTIONS*  
SAVE THESE INSTRUCTIONS

# IMPORTANT WARNING AND SAFETY INSTRUCTIONS



## Important Notice:

**Attention Installer:** This guide contains important information about the installation, operation and safe use of this product. This information should be given to the owner and/or operator of this equipment after installation of the pool cleaner.

**Attention User:** This manual contains important information that will help you in operating and maintaining this pool cleaner. Please retain it for future reference. Consult Pentair with any questions regarding this equipment.

**WARNING** Before installing this product, read and follow all warning notices and instructions which are included. Failure to follow safety warnings and instructions can result in severe injury, death, or property damage. Call (800) 831-7133 for additional free copies of these instructions.

## Consumer Information and Safety

The pool cleaners are designed and manufactured to provide many years of safe and reliable service when installed, operated and maintained according to the information in this manual. Throughout the manual, safety warnings and cautions are identified by the “▲” symbol. Be sure to read and comply with all of the warnings and cautions.

### WARNING RISK OF ELECTRICAL SHOCK OR ELECTROCUTION.



Connect only to a grounding type receptacle protected by a ground-fault circuit-interrupter (GFCI). Contact a qualified electrician if you cannot verify that the receptacle is protected by a GFCI.

### WARNING HAZARDOUS SUCTION.



Do not play with cleaner or hose or apply to body. Can trap and tear hair or body parts. Hose can trip or entangle swimmers which could result in drowning.

**WARNING** Do not operate the robotic pool cleaner when there are people swimming in the pool. Hose can trip or entangle swimmers which could result in drowning.

**WARNING** When examining the robotic pool cleaner, disconnect the main power supply.

**WARNING** Keep the robotic pool cleaner out of reach of children.

**WARNING** Keep the robotic pool cleaner out of reach of persons with reduced physical, sensory or mental capabilities, or lack of experience and knowledge, without proper supervision and understanding of the instructions.

**WARNING** Only an original power cable must be used, at all times. Replaced by a robotic pool cleaner certified technician, in case of need to avoid hazard.

**WARNING** To reduce the risk of electrical shock, do not use extension cord to connect unit to electrical supply; provide a properly located outlet.

**WARNING** This product contains a chemical known to the state of California to cause cancer, birth defects or other reproductive harm.

**CAUTION** Only a trained operator should operate the robotic pool cleaner.

**CAUTION** To avoid hand injury, operator should keep hands away from driving belt mechanism.

**CAUTION** Position the caddy and power supply at least 12 feet (3.5 m) from the edge of the pool during operation.

### CAUTION

Do not bury cord - locate cord to minimize abuse from lawn mowers, hedge trimmers and other equipment.

### CAUTION

When lifting the robotic pool cleaner, take care to prevent back injury.

## General Installation Information

### FCC Statement

NOTE: This equipment has been tested and found to comply with the limits for a Class B digital device, pursuant to part 15 of the FCC Rules. These limits are designed to provide reasonable protection against harmful interference in a residential installation. This equipment generates, uses and can radiate radio frequency energy and, if installed and used in accordance with the instructions, guarantees that interference will not occur in a particular installation. If this equipment does cause harmful interference to radio or television reception, which can be determined by turning the equipment off and on, the user is encouraged to try to correct interference by one or more following measures:

- Reorient or relocate the receiving antenna.
- Increase the separation between the equipment and the receiver.
- Connect the equipment into an outlet on a circuit different from that to which the receiver is connected.
- Consult the dealer or an experienced radio/TV technician for help.

Changes or modifications to this equipment not expressly approved by the party responsible for compliance (Pentair) could void the user's authority to operate this equipment.

### Pre-Installation Check List

Before installing your cleaner, review and understand all warnings and safety information in this guide. Failure to follow these instructions or improper installation of the cleaner can result in damage to the pool finish or the vinyl liner, Pentair Aquatic Systems disclaims any liability for repairs or replacement to any of these structures or components of the customer's pool.

#### Before installing the cleaner in a vinyl liner pool:

Check liner closely for signs of deterioration or damage from age, chemicals, pool wall damage, etc. If any damage is found, have a qualified pool professional make all the necessary repairs. Also, if there are stones, roots, etc., under the liner, remove them before installing the cleaner.

#### Before installing the cleaner in a gunite pool or a pool that is partially or completely tiled:

Repair loose tiles and tighten any loose light rings.

#### Before installing the cleaner, clean your filter system:

Make sure you have cleaned the filter, including backwashing, rinsing, and emptying all baskets. A clean system is necessary for proper cleaner operation and coverage.

#### Before installing the cleaner, understand cleaner coverage:

The cleaner is designed to rid your pool of debris in approximately 4-6 hours. Less time could be needed, depending on the pool size. The cleaner was not designed to automatically clean steps or swimouts or to work under a solar cover. It was also not designed to do initial cleanup for a new pool or when opening your pool for the season.

#### AFTER installing the cleaner, make sure the cleaner is operating correctly:

The cleaner may need some minor adjustments to make sure it is operating properly so there is no damage to the pool finish. Certain vinyl liner patterns are particularly susceptible to surface wear, pattern removal, ink rubbing off of, or serious scratches to the pattern caused by objects coming into contact with the vinyl surface, including automatic pool cleaners. Pentair Aquatic Systems is not responsible for any pattern removal, abrasions or markings on vinyl liners.

# IMPORTANT WARNING AND SAFETY INSTRUCTIONS

## **Disclaimer of Liability About your Pool and Cleaner**

There are a multitude of factors that contribute to the life of your pool. These robotic pool cleaners are very passive products that will have no impact on pool life.

Please be aware that over time, deterioration, discoloration and brittleness of any pool finish can be caused separately by, or in combination with, age, an imbalance in pool water chemistry, improper installation and other factors. Robotic pool cleaners will not remove or cause wear on “good” pool plaster. In fact, the opposite is true—pool plaster will eventually cause wear on the cleaner.

The same situation holds true for vinyl-lined in-ground swimming pools, because vinyl liners are also affected by the environment and factors such as pool water chemistry, sunlight and the pool’s surroundings. Therefore over time, vinyl can become brittle and weak. In addition, vinyl-lined pools are affected by the workmanship, composition and installation of the liner and the workmanship and quality of construction of the supporting walls and pool base. These are all factors which can contribute to liner failure. The existence of any of these type of conditions in your pool is not caused by the use or operation of the cleaner. The manufacturer disclaims any liability for repairs or replacement to any of these structures or components of the customer’s pool.

The pool owner must assume all responsibility for the condition and maintenance of the pool’s surface, water and deck.

## **SAVE THESE INSTRUCTIONS**

## CUSTOMER SERVICE / TECHNICAL SUPPORT

---

If you have questions about ordering Pentair replacement parts, and pool products, please use the following contact information:

### Customer Service

(8 A.M. to 4:30 P.M. — Eastern and Pacific Times)  
 Phone: (800) 831-7133  
 Fax: (800) 284-4151

### Web site

Visit [www.pentair.com](http://www.pentair.com) to find information about Pentair products.

### Technical Support

**Sanford, North Carolina** (8 A.M. to 4:30 P.M. ET)  
 Phone: (919) 566-8000  
 Fax: (919) 566-8920

**Moorpark, California** (8 A.M. to 4:30 P.M. PT)  
 Phone: (805) 553-5000 (Ext. 5591)  
 Fax: (805) 553-5515

## TABLE OF CONTENTS

---

<b>Important Warning and Safety Instructions .....</b>	<b>i</b>
<b>Initial Setup and Operation .....</b>	<b>1</b>
Overview .....	1
Cleaner Components .....	1
Initial Setup .....	1
<b>Maintenance .....</b>	<b>3</b>
Removing the Cleaner from the Pool .....	3
Cleaning the Filter Basket .....	3
Cleaning the Impeller .....	4
Storing the Cleaner .....	5
<b>Troubleshooting .....</b>	<b>6</b>
<b>Replacement Parts .....</b>	<b>7</b>

\* Translated versions of this manual are available online at / La versión en español de este manual del producto, se puede encontrar en línea a / La version française de ce manuel est disponible à :  
[https://www.pentair.com/en/products/pool-spa-equipment/pool-cleaners/kreepy\\_krauly\\_prowler910roboticabovegroundpoolcleaner.html](https://www.pentair.com/en/products/pool-spa-equipment/pool-cleaners/kreepy_krauly_prowler910roboticabovegroundpoolcleaner.html)

# INITIAL SETUP AND OPERATION

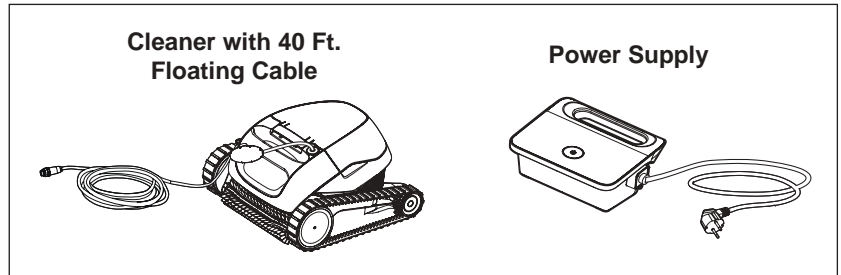
## Overview

Prowler® 910 and Warrior® SL Robotic Pool Cleaners are designed to scrub, vacuum, and filter your aboveground pool. The cleaner's top loading basket filtration design allows for quick removal of the filter basket and easier cleaning of the basket. Before operating this product, be sure to read and follow all warning and safety instructions on pages i-ii.

The ideal water temperature for operation of this cleaner is 6 - 35°C / 43 - 95°F.

## Cleaner Components:

- Cleaner with 40 ft. Floating Cable
- Power Supply

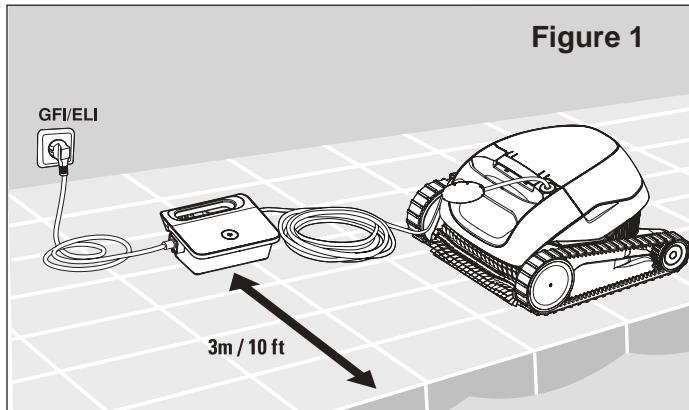


## Initial Setup

Before using the cleaner for the first time, perform the following procedures:

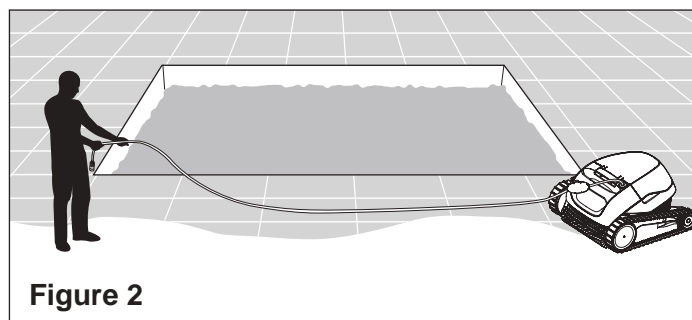
### STEP 1: Power Supply Placement

Position the power supply at least 12 feet (3.5 m) from the edge of the pool. See **Figure 1**.



### STEP 2: Unroll Floating Cleaner Cable

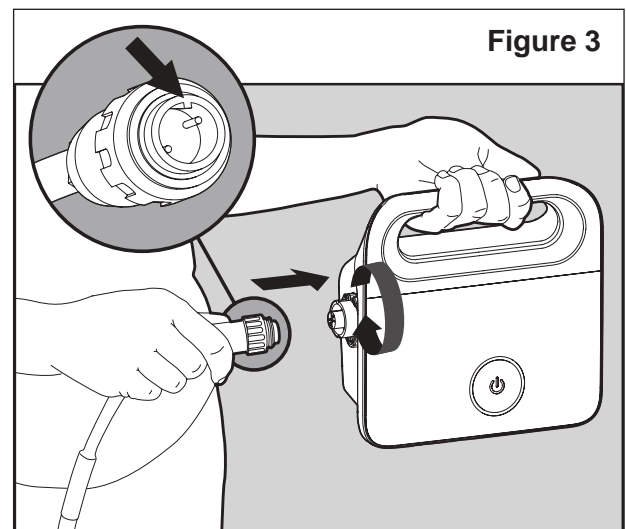
Unroll the floating cable and stretch it out completely so that it has no kinks. See **Figure 2**.



### STEP 3: Connect Power Supply to Cleaner

Connect the floating cleaner cable to the power supply.

Ensure the connector notch is lined up with the corresponding groove in the socket on the power supply. Turn the cable connector clockwise to lock the cable into the power supply connection. See **Figure 3**.

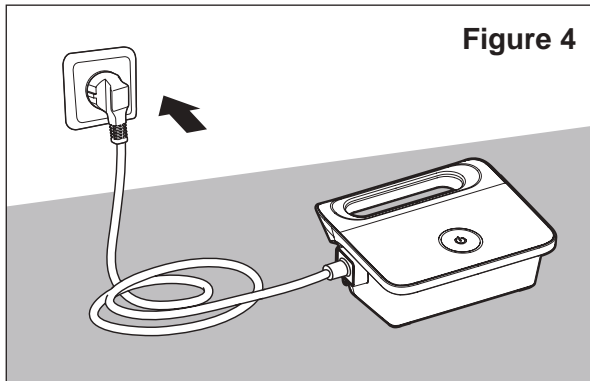


## STEP 4: Connect Power Supply to Power Source

Connect the power supply to the electrical source/outlet. See **Figure 4**.

**⚠ WARNING RISK OF ELECTRICAL SHOCK OR ELECTROCUTION:** Connect only to a grounding type receptacle protected by a ground-fault circuit-interrupter (GFCI). Contact a qualified electrician if you cannot verify that the receptacle is protected by a GFCI.

**⚠ WARNING** To reduce the risk of electrical shock, do not use extension cord to connect unit to electrical supply; provide a properly located outlet.

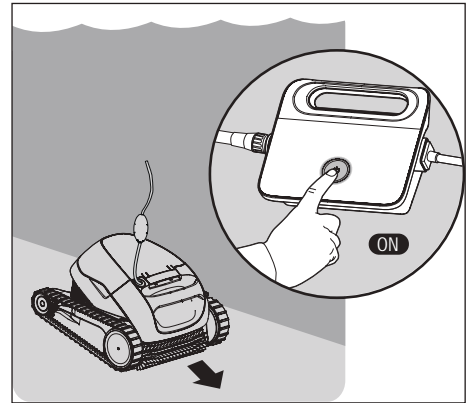


**Figure 4**

## STEP 6: Start the Cleaning Cycle

Once the cleaner is resting flat on the bottom of the pool, press the On/Off button on the power supply to begin a cleaning cycle. See **Figure 7**.

The cleaner will now operate for one full cleaning cycle, unless turned off using the On/Off button. A full cleaning cycle will generally last 1½ hours. After the cleaner has completed a cleaning cycle it will automatically come to a stop.

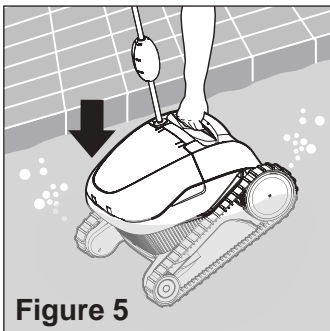


**Figure 7**

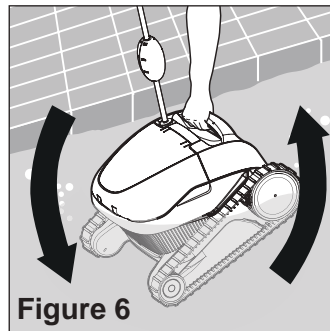
## STEP 5: Placing the Cleaner in the Pool

**⚠ CAUTION** Do not switch the pool cleaner to "ON" if it is not fully immersed in water. Operating the cleaner out of water will immediately cause severe damage and will result in loss of warranty. Do not leave the cleaner in the pool all the time. Always remember to turn the power supply "OFF" and unplug it from the power outlet before removing the cleaner from the pool.

1. Be sure the power supply is positioned at least 12 feet (3.5 m) from the pool.
2. Lower the Prowler® 910 or Warrior® SL Robotic Pool Cleaner into the pool by the handle (see **Figure 5**).  
**Note:** Never lower the cleaner into the pool by the floating cable. This puts an unnecessary strain on the cable and could result in damage to the cleaner.
3. Gently tilt the cleaner from side to side or turn upside down to release trapped air. See **Figure 6**.



**Figure 5**



**Figure 6**

## MAINTENANCE

**WARNING** Make sure the cleaner's power supply is turned "OFF" and is disconnected from the electrical source/outlet before servicing the cleaner. Moving parts may injure hands or fingers if cleaner inadvertently powers on during servicing.

### Removing the Cleaner from the Pool

The Prowler® 910 or Warrior® SL Robotic Pool Cleaner will shut off automatically at the end of a cleaning cycle. Follow the steps below to remove the cleaner from the pool.

**CAUTION** Ensure the power supply is turned "OFF" and disconnected from the electrical source/outlet before removing the cleaner from the pool. Operating the cleaner out of water will immediately cause severe damage and will result in loss of warranty. Do not leave the cleaner in the pool all the time.

1. Disconnect the power supply cable from the electrical outlet.
2. Using the floating cleaner cable, slowly and gently pull the cleaner to the waterline at the edge of the pool until you may reach the handle. **DO NOT** lift the cleaner out of the water by the cable.
3. Using the handle, lift the cleaner out of the pool. See **Figure 8**.  
**Note:** Never lift the cleaner out of the pool by the floating cable. This puts an unnecessary strain on the cable and could result in damage to the cleaner.
4. Place the cleaner on the edge of the pool and allow excess water to drain from the cleaner body and basket.
5. Disconnect the floating cable from the power supply.
6. Store the cleaner in a covered area with the floating cable coiled.

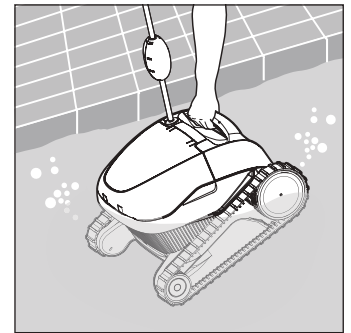


Figure 8

### Cleaning the Filter Basket

**Note:** It is highly recommended that you clean the filter basket after each cleaning cycle. Too much debris in the filter will restrict the suction power of the cleaner and reduce its effectiveness.

To clean the filter basket, follow the instructions given below:

#### STEP 1:

Open the Filter Cover and Remove the Basket

See **Figure 9** and **Figure 10**.

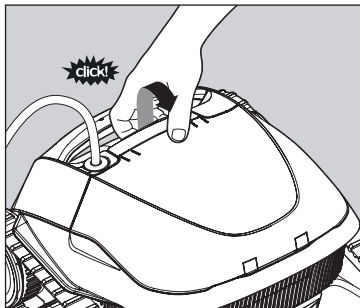


Figure 9

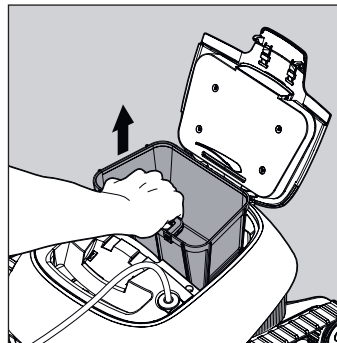


Figure 10

#### STEP 2:

Empty and Clean the Filter Basket

Thoroughly clean the filter basket with a garden hose. See **Figure 11**.

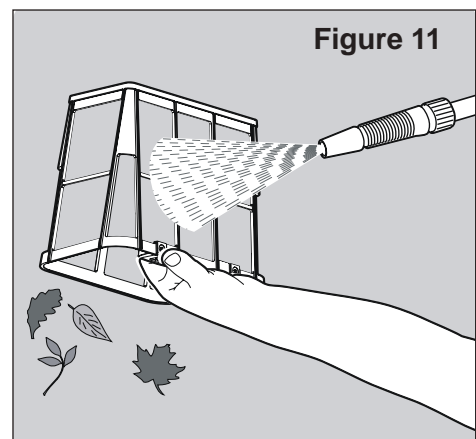


Figure 11

## Cleaning the Impeller

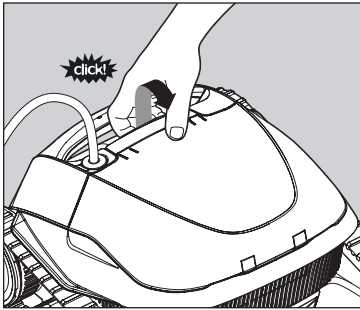


Always disconnect power to the cleaner before servicing, disassembly, or reassembly. Failure to do so could result in death or serious injury to servicemen, pool users or others due to electrical shock. Read all servicing instructions before servicing the cleaner.

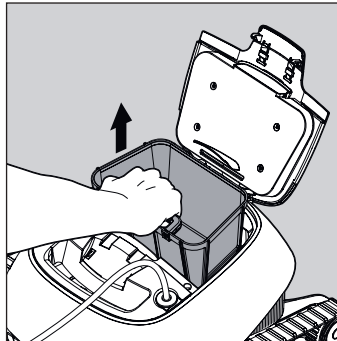
Every so often debris may become trapped in the Prowler® 910 or Warrior® SL Robotic Pool Cleaner's impeller. To clean out debris trapped in the impeller opening, follow the instructions below:

### STEP 1: Open the Filter Cover and Remove the Basket

See **Figure 12** and **Figure 13**.



**Figure 12**

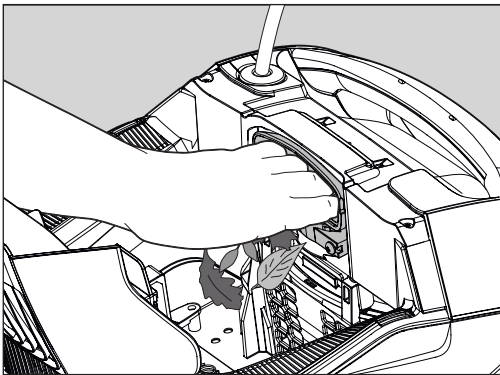


**Figure 13**

### STEP 2: Remove Debris from Impeller Cover

By hand, clean as much debris as possible from the opening of the cleaner's impeller. See **Figure 14**.

Sometimes the debris may become lodged deeper in the impeller where you can not reach it. If this is the case, proceed to the next step to remove the impeller cover

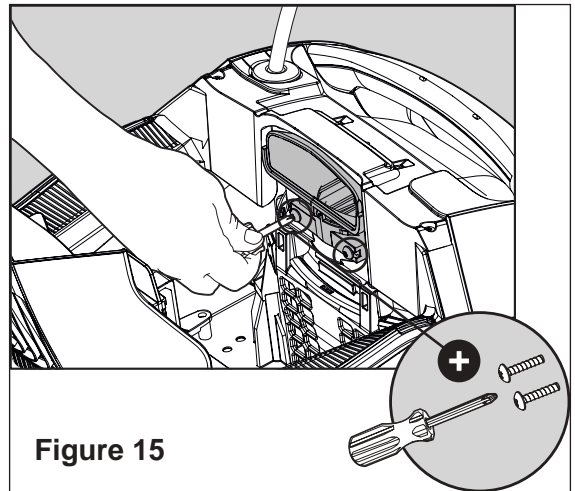


**Figure 14**

### STEP 3: Unmount the Impeller Cover

Using a No. 2 Phillips-head screwdriver, remove the two screws that hold the impeller cover in place. These screws can be found in the bottom corners of the impeller cover. See **Figure 15**.

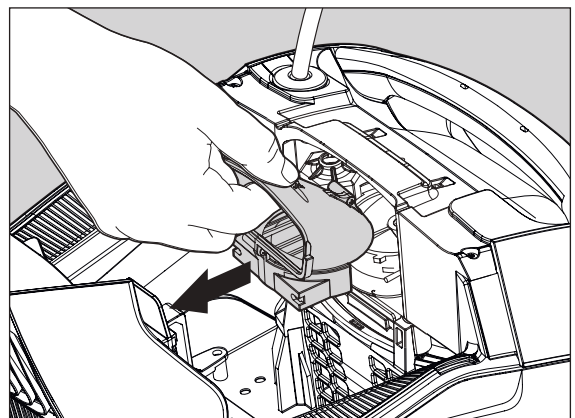
Place the two screws to the side.



**Figure 15**

### STEP 4: Remove the Impeller Cover

Gently pull the impeller cover away from the cleaner body. See **Figure 16**.



**Figure 16**

By hand, remove any debris that has become trapped around the impeller.

Remount the impeller cover with two impeller cover screws.



## Storing the Cleaner

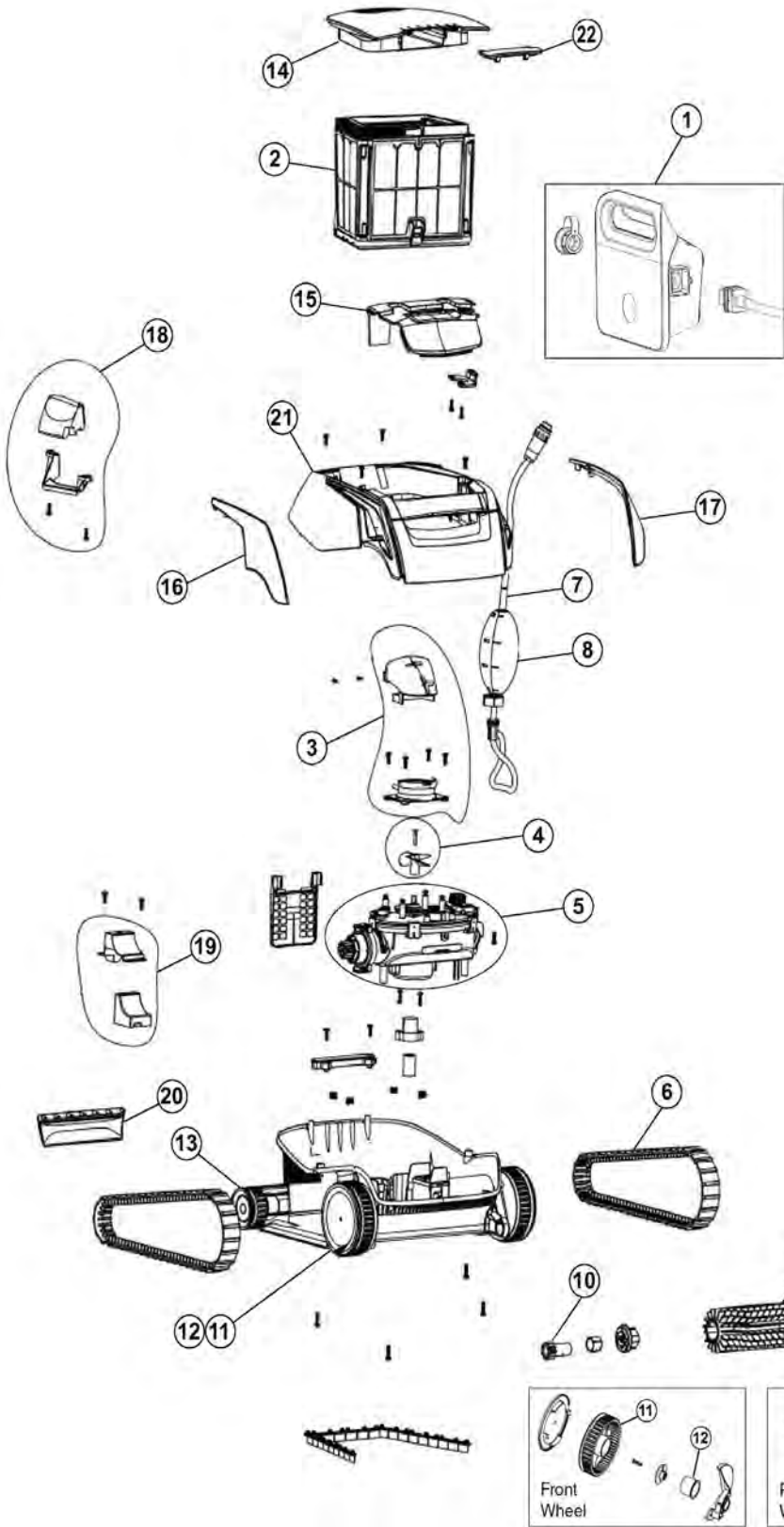
Any time the cleaner will not be in use for an extended period of time, for example during the winter, follow the storage recommendations below:

- Be sure to disconnect the power supply.
- Always coil the cleaner's floating cable.
- Store the cleaner in a protected area out of direct sun, rain and frost, at a temperature between 5°-45°C / 41°-113°F.
- Drain all water from the pool cleaner.
- Thoroughly clean the filter basket and filter screens and store the cleaner with them installed.

## TROUBLESHOOTING

<b>Problem</b>	<b>Possible Cause</b>	<b>Corrective Action</b>
<b>Cable twisting or cable coils up.</b>	Obstruction in pool Gets stuck on main drain cover  Excess cable in the pool	Remove obstruction in pool. Turn off filter and install main drain cover ring. Straighten cable and lay in sun periodically.  Remove excess cable from pool.
<b>Cleaner is moving in circles</b>	Dirt stuck in moving parts Tracks worn due to extended use Power supply positioned incorrectly  Wrong mounting of bottom lid Algae in pool.	Remove dirt from moving parts. Contact your dealer. Replace tracks. Place power supply in a position so that the cleaner can reach all walls.  Lock bottom lid in the right position. Correct pool and water conditions.
<b>Cleaner does not reach all areas of the pool</b>	Power supply positioned incorrectly  Algae on pool floor Pool filter and pump is on	Place power supply in a position so that the cleaner can reach all walls.  Brush pool floor. Turn off pool filter and pump and run another cleaning cycle.
<b>Motor not working</b>	Impeller blocked Drive system blocked Electrical problem - motor unit, floating cable, or power supply	Remove impeller tube. Clean impeller. Clean tracks and wheels. Consult with your dealer or service center.
<b>Cleaner will not sink</b>	Air caught in trapped in cleaner	Turn cleaner upside down under water to remove trapped air. Wash the cartridge. Remove calcium deposits or other chemical sediments. Open inlet flap in the bottom lid to remove dirt and/or trapped air.
<b>Power supply or power supply switch light is not working</b>	Not plugged in properly or main socket is damaged	Reconnect and check main power supply.

# REPLACEMENT PARTS



Item #	Part #	Description
1	360337	Power Supply
2	360496	Filter Assembly
3	360339	Impeller Cover
4	360340	Impeller
5	360341	Motor Unit
6	360342	Track
7	360343	Communication Cable
8	360344	Cable Float
9	360345	Active Brush
10	360346	Brush Mounting
11	360347	Front Wheel
12	360388	Front Wheel Bushing
13	360348	Rear Wheel Assembly
14	360349	Filter Cover, Prowler
	360521	Filter Cover, Warrior
15	360350	Intermediate Cover
16	360351	Side Cover, Right
17	360352	Side Cover, Left
18	360354	Internal Top Float and Housing
19	360355	Internal Bottom Float and Housing
20	360356	Front Rubber Cover
21	360358	External Housing, Prowler
	360498	External Housing, Warrior
22	360359	Latch, Prowler
	360497	Latch, Warrior

Note (\*): Not Shown



1620 HAWKINS AVE., SANFORD, NC 27330 • (919) 566-8000  
10951 WEST LOS ANGELES AVE., MOORPARK, CA 93021 • (805) 553-5000

[WWW.PENTAIR.COM](http://WWW.PENTAIR.COM)

All Pentair trademarks and logos are owned by Pentair, plc or one of its global affiliates. Prowler® and Warrior® are trademarks and/or registered trademarks of Pentair Water Pool and Spa, Inc. and/or its affiliated companies in the United States and/ or other countries. Unless expressly noted, names and brands of third parties that may be used in this document are not used to indicate an affiliation or endorsement between the owners of these names and brands and Pentair Water Pool and Spa, Inc. Those names and brands may be the trademarks or registered trademarks of those third parties. Because we are continuously improving our products and services, Pentair reserves the right to change specifications without prior notice. Pentair is an equal opportunity employer.

© 2019 Pentair Water Pool and Spa, Inc. All rights reserved. This document is subject to change without notice.



P/N 371869 REV. C 12/20/19

8151691 Rev 02