



COMMERCIAL INTELLICHEM[®] WATER CHEMISTRY CONTROLLER



INSTALLATION AND USER'S GUIDE

IMPORTANT SAFETY INSTRUCTIONS
READ AND FOLLOW ALL INSTRUCTIONS
SAVE THESE INSTRUCTIONS

Technical Support

Phone: **(800) 831-7133** - Fax: **(800) 284-4151**

visit www.pentair.com

Contents

IMPORTANT WARNING AND SAFETY INSTRUCTIONS.....i-iv

Overview..... 1

Operating the Commercial IntelliChem Controller 2

IntelliChem Controller System Default Valves 2

Operator Controls Indicators and Alarm LEDs 3

pH Settings and ORP Settings Buttons 4

IntelliChem Controller System Power Up Sequence 5

Set Password Protect 6

Display Modes 7

Wizard #1 & Wizard #2 Setup Sequence Overview..... 7

Auto Setup 8

Wizard #1 Auto Setup Sequence / Wizard Guide..... 9-13

Wizard #2 Auto Setup Sequence / Wizard Guide..... 14-15

IntelliChem Controller Menus 16

Navigating IntelliChem Controller Menus 17

Clock and Temp Menu 18

pH Menu Description 19-21

ORP Menu Description..... 22-24

Configuration Menu 25-33

Configuration Menu CLOCK & DATA LOG HISTORY SETTINGS..... 34-35

Calculated PPM Menu 36

Auto Setup Sequence / Saturation Index Overview 37-40

INSTALLATION..... 41

 Mounting IntelliChem Controller Enclosure 42

 Wiring the IntelliChem Controller Transformer 42

 Connecting Commercial and Residential IntelliChlor SCG 43

 Installing the Flow Cell and pH/ORP Sensors 44

 Plumbing the Flow Cell 46

Connecting Sensor Wires..... 50

Connecting the IntelliChem Controller to an Automation Control System 45

Wiring the IntelliChem Controller AC Power to Automation Filter Pump Relay..... 46

Setting up IntelliChem, EasyTouch, IntelliTouch, SunTouch Automation System..... 48

Help Guide / Troubleshooting 51/52

Tweaking pH/ORP (Calibrating Sensors) 55

Maintenance / Sensor Care / Stenner Pump Head Maintenance..... 55-57

IntelliChem Controller Kit Contents / Replacement Parts List 58

Connecting Remotely to the Commercial IntelliChem Controller..... 61

ScreenLogic2 Wireless Connection Kit..... 62

ScreenLogic2 Interface Connection Troubleshooting Hints 64

Normal Operation 65

Appendix A: Title 22 - Recording Historical Log/Wiring Diagram 66

Appendix B: Title 22 - Daughter PCB / Sensor Installation 67



IMPORTANT WARNING AND SAFETY INSTRUCTIONS



SERIOUS BODILY INJURY OR DEATH CAN RESULT IF THIS PRODUCT IS NOT INSTALLED AND USED CORRECTLY.



INSTALLERS, POOL OPERATORS AND POOL OWNERS MUST READ THESE WARNINGS AND ALL INSTRUCTIONS BEFORE USING THIS PRODUCT.



Most states and local codes regulate the construction, installation, and operation of public pools and spas, and the construction of residential pools and spas. It is important to comply with these codes, many of which directly regulate the installation and use of this product. Consult your local building and health codes for more information.



IMPORTANT NOTICE - Attention Installer: This Installation and User's Guide ("Guide") contains important information about the installation, operation and safe use of this product. This Guide should be given to the owner and/or operator of this product.



Before installing this product, read and follow all warning notices and instructions in this Guide. Failure to follow warnings and instructions can result in severe injury, death, or property damage. Call (800) 831-7133 for additional free copies of these instructions. Please refer to www.pentairpool.com for more information related to this products.

DO NOT INSTALL THE INTELLICHEM® CHEMICAL CONTROLLER WHERE IT CAN BE ACCESSIBLE TO THE PUBLIC.



RISK OF ELECTRICAL SHOCK OR ELECTROCUTION:

Before working on the IntelliChem® Chemical Controller always disconnect power to the IntelliChem controller at the circuit breaker before servicing. Failure to do so could result in death or serious injury to service person, pool users or others due to electric shock.

BE SURE TO DISCONNECT ALL SUPPLY CONNECTIONS BEFORE SERVICING THE INTELLICHEM CONTROLLER. AC Power may be supplied to the relay terminals Ex_Relay1 and Ex_Relay2 from other sources. See page 43 for details.

This product must be installed by a licensed or certified electrician or a qualified pool professional in accordance with the National Electrical Code (NEC), NFPA 70 or the Canadian Electrical Code (CEC), CSA C22.2. All applicable local installation codes and ordinances must also be adhered to. Improper installation will create an electrical hazard which could result in death or serious injury to pool users, installers or others due to electrical shock, and may also cause damage to property.



BEFORE USING YOUR POOL, SPA OR HOT TUB, CHECK THE pH AND SANITIZER LEVELS OF THE WATER.



Do not permit children to operate this equipment.



When mixing acid with water, ALWAYS ADD ACID TO WATER. NEVER ADD WATER TO ACID. When adding any chemical to the pool/spa, be sure to follow the manufacturer's instructions thoroughly.



DO NOT MIX SODIUM HYPOCHLORITE AND MURATIC ACID



Risk of electrical shock. Connect the IntelliChem Controller to a ground-fault interrupter-circuit (GFCI). Contact a qualified electrician if you cannot verify that the receptacle is protected by a GFCI.



IF "CLEAR OVERFEED LIMIT" SETTING IS SET TO 24 HOURS, DO NOT SET "FEED TIME" GREATER THAN 20 HOURS AS THIS WILL VOID NSF CERTIFICATION.

IMPORTANT WARNING AND SAFETY INSTRUCTIONS

⚠ WARNING **WARNING CHEMICAL BURN HAZARD:** Make sure all pumps are switched off at the main circuit breakers at the house before drilling into any pipes. Securely fasten all electrical, water and chemical lines. Locate chemical feed pumps and chemical storage tanks in a safe and secure area.

⚠ WARNING Strictly follow the acid manufacturers safety and handling protocols including hand, body and eye protection when transferring or handling acid. Safety precautions should be used when handling Muriatic acid to control pH water levels. Muriatic acid can cause serious body injury and damage pool equipment. Extra care must be taken when installing, maintaining and operating acid pump feed systems. Acid is dangerous to handle and should be properly contained, transported, poured, stored, and dispensed.

⚠ WARNING

- Check the pH and sanitizer levels of the water before use.
- Periodically use an independent pH and Chlorine test kit to verify that pH and chlorine is at a safe level. If the pH and Oxidation Reduction Potential (ORP) or Flow Cell sensors are broken, depleted or dirty with oils, lotions, or other contaminants, they can report inaccurate results to the system causing incorrect water chemistry, which could harm people or equipment.
- Check the IntelliChem® Controller main status display each day to ensure there are no Alarm messages. See “Troubleshooting” on page 52 for more information.

When using Commercial IntelliChem® with a pool pump timer: The Association of Pool and Spa Professionals (APSP) recommends that all water in a commercial pool pass through the filtration system at least once every 6 hours (referred to as pool water turnover). However, many factors have an effect on actual pump and filter system run times. Pool size, source of water, direct sun light, indoor/outdoor, screened and unscreened, filtration system, cold or hot weather, swimmer load, rain, organic debris, algae, etc., are all factors which contribute to either more or less pool pump and filter system run times. Because of these differences, it is extremely difficult to set an initial run time (starting point) for the pool pump and chlorinating system. Try initially setting the pool pump timer to 6 hours. It will take a few days to get just the right amount pool pump operating time. When the Chlorinator is wired with a pool pump timer (see Configuration Menu, page 25) results will vary greatly from one pool installation to the next, so this should be discussed with either the pool builder or your pool professional.

IMPORTANT WARNING AND SAFETY INSTRUCTIONS

WARNING Most states and local codes regulate the construction, installation, and operation of public pools and spas, and the construction of residential pools and spas. It is important to comply with these codes, many of which directly regulate the installation and use of this product. Consult your local building and health codes for more information.



IMPORTANT NOTICE - Attention Installer: This Installation and User's Guide ("Guide") contains important information about the installation, operation and safe use of this product. This Guide should be given to the owner and/or operator of this equipment.

WARNING Before installing this product, read and follow all warning notices and instructions in this Guide. Failure to follow warnings and instructions can result in severe injury, death, or property damage. Call (800) 831-7133 for additional free copies of these instructions. Please refer to www.pentairpool.com for more information related to this products.

WARNING Working with muriatic acid can be dangerous. When cleaning the IECG always wear rubber gloves and eye protection. Always add acid to water, do not add water to acid. Always work in a well-ventilated area. Splashing or spilling acid can cause severe personal injury and/or property damage. **Pentair always recommends 1:1 dilution when using full strength muriatic acid. When mixing, remember to always add acid to water.**

IMPORTANT! TAKE EXTREME CARE WHEN INSERTING THE ACID CONTAINER INTO THE STORAGE TANK, AS THE FOIL SEAL MAY NOT BE FULLY ATTACHED.

WARNING Be sure that the pool or spa meets the requirements of the current National Electrical Code (N.E.C.) Article 680-22 and all local codes and ordinances. A licensed or certified electrician must install the electrical system to meet or exceed those requirements before the underwater light is installed.

DANGER



READ THE FOLLOWING BEFORE HANDLING AND WORKING WITH MURIATIC ACID (ALSO KNOWN AS HYDROCHLORIC ACID) AND CHLORINE (SODIUM HYPOCHLORITE)

MURIATIC ACID AND CHLORINE (LIQUID AND MIST) CAN CAUSE SEVERE BURNS TO SKIN, MOUTH AND EYES. MAY BE FATAL IF SWALLOWED OR INHALED. INHALATION CAN CAUSE SEVERE LUNG DAMAGE.

IMPORTANT! CHLORINE CONTAINER

MIXING CHEMICALS WITH CHLORINE OR CHLORINE RESIDUE IN CONTAINER CAN CREATE A DEADLY GAS OR AN EXPLOSION.

IMPORTANT WARNING AND SAFETY INSTRUCTIONS

WARNING



INHALATION

Inhalation of vapors can cause coughing, inflammation of the nose, throat and upper respiratory tract and death. In case of inhalation, move to an area of fresh air immediately.

INGESTION

Swallowing can be fatal. Contact local poison control center or physician immediately. Give large amounts of water or milk. Allow person to vomit. If vomiting occurs, keep head lower than hips to avoid aspiration. If person is unconscious, turn their head to the side. Seek immediate medical attention.

STORAGE:

Install and store container and acid in a dry, ventilated place protected from excess heat and direct sunlight. Should be stored at a temperature below 80°F (27°C). Be sure drainage is located away from building and equipment.

SKIN CONTACT

Wash skin with soap and water for at least 20 minutes and remove contaminated clothing and shoes. Contaminated clothes should be thoroughly cleaned before re-use.

EYE CONTACT

Flush eyes immediately with water for at least 20 minutes. Seek immediate medical attention.

PERSONAL PROTECTION

VENTILATION

Use container outside and in a well-ventilated area.

EYE PROTECTION

Use splash-resistant safety goggles.

CLOTHING

Wear chemical-resistant clothing when handling or working with acid and chlorine.

GLOVES

Wear chemical-resistant gloves when handling or working with acid and chlorine.

DISPOSAL

Because of its corrosive nature, muriatic acid is a hazardous waste when spilled or discarded. Dispose of used acid at an approved hazardous waste facility or at your municipal household hazardous waste collection facility. Small spills of acid may be neutralized using baking soda. Carefully pour the baking soda onto the spilled material until the fizzing stops, then mop or scoop up the residue. Leave cleanup of large spills to the experts; call your local fire department or hazardous materials spill team.

READ AND FOLLOW ALL INSTRUCTIONS SAVE THESE INSTRUCTIONS

Overview

The COMMERCIAL INTELLICHEM® Water Chemistry Controller is a pH and ORP sensing device that dispenses correct amount of chlorine or bromine, muriatic acid or CO₂ gas. The IntelliChem controller provides continual analysis of your swimming pool water sanitation and pH levels, providing real-time status information to dispense the proper amount of muriatic acid (pH reducer) and chlorine or bromine for the correct sanitization and pH balance. The IntelliChem controller operates with or without a salt chlorine generator to provide a self-replenishing supply of chlorine generated from salt. The IntelliChem controller can also connect to carbon dioxide (CO₂) liquid gas tanks to lower pH in your swimming pool water. When CO₂ dissolves into water it produces weak neutral bicarbonate salts which reduces pH. CO₂ is environmentally friendly and produces no secondary pollution into the treated water by salts such as chlorides or sulfates. CO₂ does not corrode metal equipment and does not require any special piping. In Dual Sanitization mode the primary sanitizer can be configured as either the IntelliChlor or the dry contacts of add-on Relay3 to enable the COMSYS unit. Backup sanitization is provided using a liquid doser on Ex_Relay1. The IntelliChem controller also supports IntelliChlor® Salt Chlorine Generator (SCG) to help manage your pool water sanitizer levels.

Dual Sanitizer Operation

The IntelliChem Controller provides a Dual Sanitizer ORP feature, which provides a backup for the standard ORP acid feed pumps. The ORP menu “Dual Bkup” sets the threshold below the setpoint when the EX_RELAY1 will start feeding. It is adjustable from 0 to 50mV (default=20mV).

Connecting Remotely to the IntelliChem Controller

Using the ScreenLogic Interface you can control your pool and spa operations remotely from your laptop computer over the Internet or from your local networked computer in your house. You can download the latest remote ScreenLogic software from www.pentairpool.com. For more information, see page 61.

Operating the Commercial IntelliChem® Controller

Before operating the Commercial IntelliChem controller, it's important to test and adjust your pool water chemistry to the recommended pool industry levels found in this manual (see page 39). If you are using an IntelliChlor salt chlorine generator, adjust the salt levels to the recommended levels in the IntelliChlor (SCG) Installation and User's Guide (P/N 520589). During normal operation, no user input is required, the Commercial IntelliChem controller will automatically sense ORP and pH levels. The current ORP and pH levels are regularly displayed on the control panel LCD display. Use the pH Settings or ORP Settings buttons to view or adjust supply levels. The "Auto Setup" feature provides screen prompts for first-time setup or standard configurations such as setup reminder times, calculating feed times, proportional limits and alarms. For details, see page 7.

First Balance Your Pool Water

IMPORTANT: To help keep your pool water balanced follow these steps:

1. Use a Test Kit (with fresh testing reagents) to measure the **pH, alkalinity, and calcium** hardness of the pool water. For greater accuracy, Pentair recommends the AcuCheck3 Test Kit to measure pH, chlorine ppm, and alkalinity levels (P/N 745000110). "Balanced" water has proper levels of pH, Total Alkalinity and Calcium Hardness. This "balanced" water is neither corrosive or scaling. The pH (0-14) value is the scale of relative acidity or alkalinity. Recommended pH range is from 7.2 to 7.6. The IntelliChem controller default pH value is 7.5 (see default values below).
2. Be sure the pool chlorine level is balanced. Ideal free chlorine level should be between 1.0 - 3.0 parts per million (ppm).
3. Use the online **Langelier Saturation Index (LSI)** calculator to diagnose the water balance in your pool or the IntelliChem controller built-in LSI calculator (see page 28-31). Refer to:
<http://www.pentairpool.com/pool-owner/resources/calculators/langelier/>

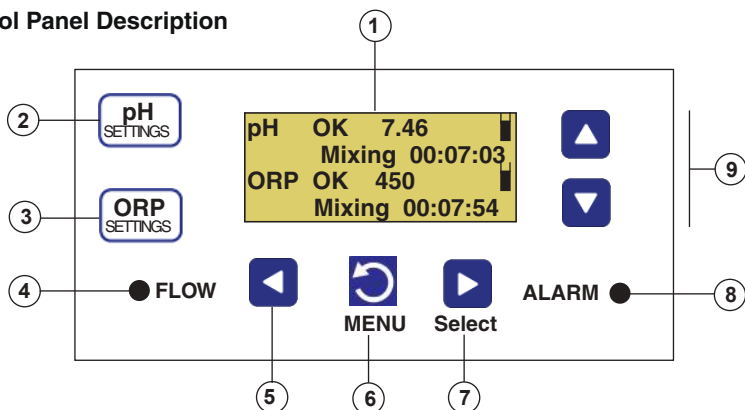
*Note: A Saturation Index value of 0 indicates the water is chemically in balance. If the Index is a **minus (-) value, corrosive tendencies are indicated.** If the Index is a **plus (+) value, scale-forming tendencies are indicated.** A Saturation Index value between **+0.5 to -0.5** is considered satisfactory in a swimming pool. See Saturation Index menu on page 28.*

IntelliChem Controller System Default Values

pH		Miscellaneous Default Values	
pH Set Point:	7.5	Display Mode:	Basic
pH Alarm High:	7.8	Control Panel LED Brightness:	10%
pH Alarm Low:	6.8	Menu Timer:	M:02 S:30
pH Alarm Delays:	5 min. for both	Menu Backlight Timer:	M:00 M:20
Sensitivity:	Low (Off for CO2)	Power-On Delay:	14 minutes
ORP		Flow Switch Delay:	1 minute
ORP Set Point:	700	Dose Priority:	Simultaneous dosing
ORP Alarm High:	750	Password 1234 - Lock = Off	
ORP Alarm Low:	650		

Operator Controls, Indicator and Alarm LEDs

Control Panel Description



Control Buttons and LEDs:

- ① **Liquid Crystal Display (LCD) with backlighting:** Displays system status information and the IntelliChem® Controller main menu. Display backlight and menu on and off time (30 seconds to 24 hours) can be set via the “LCD Timeout” menu feature. See “Configuration” menu page 19).
Display viewing modes: Select between two display modes: **Basic:** pH and ORP status with alarms messages. **Advanced:** pH, ORP, status, alarm messages and process timers.
- ② **pH Settings button:** Access the pH settings (see page 4).
- ③ **ORP Settings button:** Access the Oxidation Reduction Potential (ORP) settings (see page 4).
- ④ **Flow LED:** Green LED on indicates flow is detected. LED will blink during flow delay. LED off indicates no flow in the system. If flow is not present, no chemical feeding or IntelliChem controller activity is allowed. LED brightness can be adjusted via the Configuration “Display Modes” menu (see page 7).
- ⑤ **Left arrow button:** Scroll through sub-menu items or move cursor left when editing a setting.
- ⑥ **Menu button:** Access the main menu (see page 11). While in menu mode, used to exit a menu level. All items are saved as soon as they are changed.
- ⑦ **Right arrow button:** When in menu mode, selects menu main and sub-menu item, scroll through sub-menu items or move cursor right when editing a setting.
- ⑧ **Alarm LED:** LED is on if an alarm condition occurs. Display shows alarm message and status (see page 49). LED brightness can be adjusted via the Configuration “Display Modes” menu (see page 7).
- ⑨ **Up/Down arrow button:** When in a menu mode, use ▼/▲ to scroll through main menu and sub-menu items, increase, decrease or change a setting or value. Also, used for moving to next sub-menu page 1/2 - 2/2.

pH Settings and ORP Settings Buttons

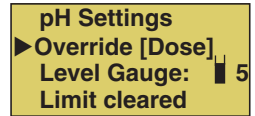
pH Dosage (dispense acid)



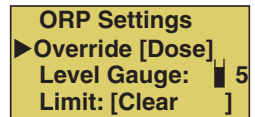
DO NOT manually feed pH (acid) and ORP sanitizer (chlorine) at the same time without sufficient water flow through the piping system. Combining these two chemicals without sufficient water flow for mixing will result in the formation of hazardous gas. This menu item will be displayed as **Override [Wait]** during no-flow and flow-delay time period.



pH Settings button: Press the **pH Settings button** to access the pH dosage settings.



ORP Settings button: Press the **ORP Settings button** to access the Oxidation Reduction Potential (ORP) settings. The ORP is the sanitization quality of the water of a given solution.



Note: To exit pH Settings and ORP Settings, press the MENU button.

Password Protect: The pH Settings and ORP Settings screens are not accessible when the Password Lock is set to “ALL”. Set the Password Lock to “OFF” or “MENU” to access these screens (see page 6).

Override (pH): Press the **◀/▶ Right or Left arrow button** to toggle between “Dose” or “Stop”. Select “Dose” to dispense muriatic acid or CO₂ and select “Stop” to stop dispensing acid or CO₂ (pH Settings LED is on). To exit, press the MENU button or press the **▼ Down button** to select the “Level Gauge” feature. The Override feature is not available when CO₂ is setup to “Feed to Setpoint.”

Override (ORP): Press the **◀/▶ Right or Left arrow button** to toggle between “Dose” or “Stop”. Select “Dose” to dispense chlorine (or bromine) and select “Stop” to stop dispensing chlorine (ORP Settings LED is on). To exit, press the MENU button or press the **▼ Down button** to select the “Level Gauge” feature. The Override feature is not available when IntelliChlor is setup to “Feed to Setpoint.”

Level Gauge indicator: Press the **▼/▲ Up/Down button** to select this feature. The level gauge (volume based) and hour glass (time based) icon is a visual representation of the amount of acid (pH Settings) or chlorine (ORP Settings) available in the container. Press **◀/▶** six times to fill the gauge (container full). The indicator displays six horizontal bars when full. The level gauge is not available if the doser is unable to determine the pump dispense rate, the supply volume, or if there is no supply “reminder” set up (see page 14-17). The gauge is displayed as an “hour glass” if the supply is based on time rather than volume (see page 7)

Limit [Clear]: Press the **▼/▲** to select this feature. Press the **◀/▶** to clear the current dosage limit timer. After pressing the button, “CLEARED” is displayed, indicating that the current dosage limit is cleared.

IntelliChem® Controller System Power Up Sequence

IntelliChem® Controller
v2.017 3/25/20
Pentair Aquatic
Systems

Power-up Sequence: During power-up the Commercial IntelliChem® Controller displays the initialization screens before the main status screen is displayed. During this initial power up sequence, the IntelliChem controller performs an internal self test and continues with a system calibration. The first screen includes the current software version and date.

AUTO CALIBRATION

AUTO CALIBRATION is displayed each time IntelliChem is powered up.

AUTO CALIBRATION
pH 6.35 7.65 OK
ORP 738 398 OK
PASSED

In the next auto-calibration sequence the pH and ORP meters are tested with on-board circuitry and calibrated to the built-in reference devices. An out-of-tolerance condition is immediately reported as an error so the user can have the unit serviced.

IntelliChem Auto
Setup Wizard
Press MENU to go
to each new step

The very first time IntelliChem controller is powered up and after a factory reset, the **Auto Setup Wizard** start screen is displayed. Otherwise access the wizard from the main menu (see page 7).

Awaiting
POWER&FLOW DELAY
H:00 M:14 S:18
please wait...

The normal start up screen will simply be this one, awaiting Power On & Flow Delay. The countdown timer shows the remaining time before the unit starts reading the probes and controlling the doser.

pH OK 7.5
ORP OK 450

Main Status Screen: After IntelliChem controller has completed the Flow Delay the main status screen displays the measurements of the connected pH and ORP sensors.

Set Password Protect

The password protect feature prevents access to certain menus and prohibits all menu changes and manual feeds. For more information, see Set Password on page 20. To set the password protect:

Set Password	
PW	[1234]
Lock	[Off]



Locked - Please enter password
> 1234

1. Press MENU ▼/▲ Configuration ► and ▼/▲ Set Password.
 2. **Set Password (PW):** Press the ▼/▲ **Up/Down arrow button** to select the first password digit (0-9).
 3. Press the ◀/▶ **Right/Left arrow button** to move the cursor to the next digit.
 4. Press the ▼/▲ **Up/Down arrow button** to select the second password digit. Repeat steps 3 and 4 for the third and fourth password digit.
 5. Press the ▶ **Right arrow button** to move the cursor to the **Lock Menu** setting.
 6. Press the ▼/▲ **Up/Down arrow button** to select **OFF**: Do not enable control panel button lockout.
ALL: Lockout MENU, pH Settings and ORP Settings buttons). Tank Levels cannot be changed.
MENU: Lockout MENU button (not pH Settings and ORP Settings buttons). Setpoints or Sat Index values TA, CYA, CH cannot be changed.
 7. To exit, press the MENU button (press three times to return to the main screen).
- Tip:** Setting the password 0000 allows you to enter a protected screen by pressing MENU. Also, once the password is entered, access is granted for the duration specified by the Menu timeout setting in the Configuration/Display Mode menu (see page 19).

Display Modes

The main Commercial IntelliChem® Controller status screen can be setup to display basic or advanced system information. To setup the Display Mode, see “Configuration” menu on page 25. The **Basic** display mode shows the current pH and ORP measurements including a message describing any existing pH (line two) and ORP (line four) alarms. The **Advanced** display mode shows all the current measurements and alarm messages as well as dose and mix timers showing the progress of those processes.



Basic display mode

pH	>OK	7.4	
	-72	Scaling	
ORP	OK	730	

The Basic mode displays the current pH and ORP measurements (pH in 10th and ORP in 5mV) with any alarms and tank levels if enabled.

Note: Alarms are displayed on all Basic and Advanced modes. **>OK or <OK** is displayed as soon as the value exceeds alarm trip point. That is replaced with “HIGH/LOW” after the specific alarm delay time period.

Advanced display mode

pH	HIGH	7.91	
	pH Dose Limit		
ORP	OK	683	
	Mixing	00:07:54	

Displays three different Alarms. The example screen shows: Dose limit, high reading and chemical tank low alarm. These can co-exist. The advanced mode displays the current pH and ORP high precision measurements (extra digit. e.g. pH=100th - ORP=1mV resolution), alarms, tank levels, process messages and timers.

Basic and Advanced Display with Error Messages

NO FLOW DETECTED			
Check pump, flow			
Cell, filter,			

If IntelliChem detects the pool water circulation pump is not active, a NO FLOW message is displayed. ORP and pH values are not measured when there is no flow, and therefore not displayed.

Wizard #1 and Wizard #2 Setup Sequence Overview

There are two Wizard setup sequences to configure the IntelliChem Controller:

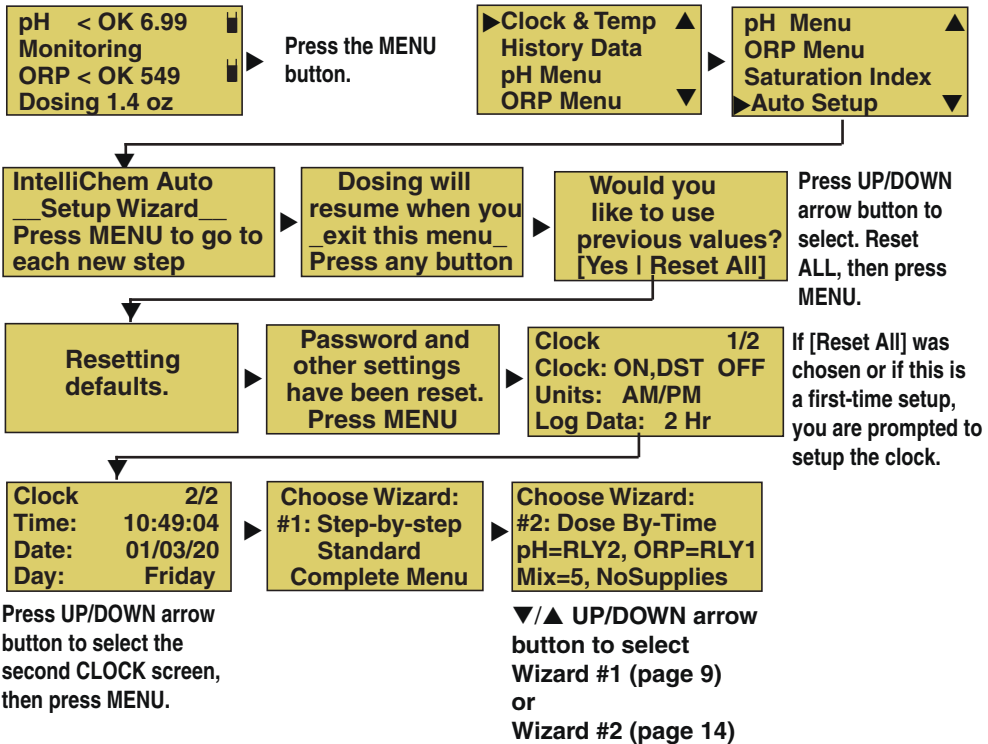
- **Wizard #1 (See page 8)**, provides easy selection from 10 different acid and sanitizer combinations including dual sanitizer modes. Depending on the selected hardware configuration, dose amounts, mix time and limits are automatically calculated based on pool volume and filter time.
- **Wizard #2 (See page 14)**, named “**Dose-By-Time pH=RLY2, ORP-RLY1, Mix=5, NoSupplies**”, provides an easy auto-setup using factory default settings for one specific IntelliChem® configuration with just the basic features.

Auto Setup

Use the Auto Setup feature for first-time setup or standard configurations. Follow the on-screen prompts and enter information about your system configuration (pH/ORP internal or external pumps, pool size, filter time, chemical container size etc). IntelliChem uses this information to automatically setup reminder times, calculate feed times, proportional limits and alarms. The following describes the Auto Setup screen. Press the **MENU button** to access the Auto Setup menu. To change a menu setting or value press the **▼/▲ Up/Down arrow button**. Press the MENU button to save each selection.

Previous Values: Use to recalculate new dose times etc., if no custom settings exist. Not recommended for custom settings; use the menu directly to make these changes.

Reset All: Make major configuration changes that may have conflicts with previous settings.



Wizard #1 Auto Setup Sequence

Wizard #1 Guide

Auto-setup's hardware selections are provided for combinations of the following feeders:

	Wizard's Hardware Nickname	Primary feeder		"Dual" Secondary feeder Liquid Chlorine Backup **	
		Connection	Function	Connection	Function
pH	RELAY2	EX_RELAY2	Acid Doser pump		
	CO2/R2	EX_RELAY2	CO2 solenoid		
ORP	RELAY1	EX_RELAY1	Cl Doser pump		
	EX_IC	Add-on RELAY3	ComSys SCG		
	ICHLOR	RS-485	IntelliChlor SCG		
	DUALRL3	Add-on RELAY3	ComSys SCG	EX_RELAY1	Cl Doser pump
	DUALSCG	RS-485	IntelliChlor SCG	EX_RELAY1	Cl Doser pump

** In Dual Sanitizer modes, the primary's SCG operates as Dose-to-Setpoint mode with no mix time or limit time.

The secondary's liquid feeder operates by the GPD and dose parameters (dose, mix and limit) specified in the menus.

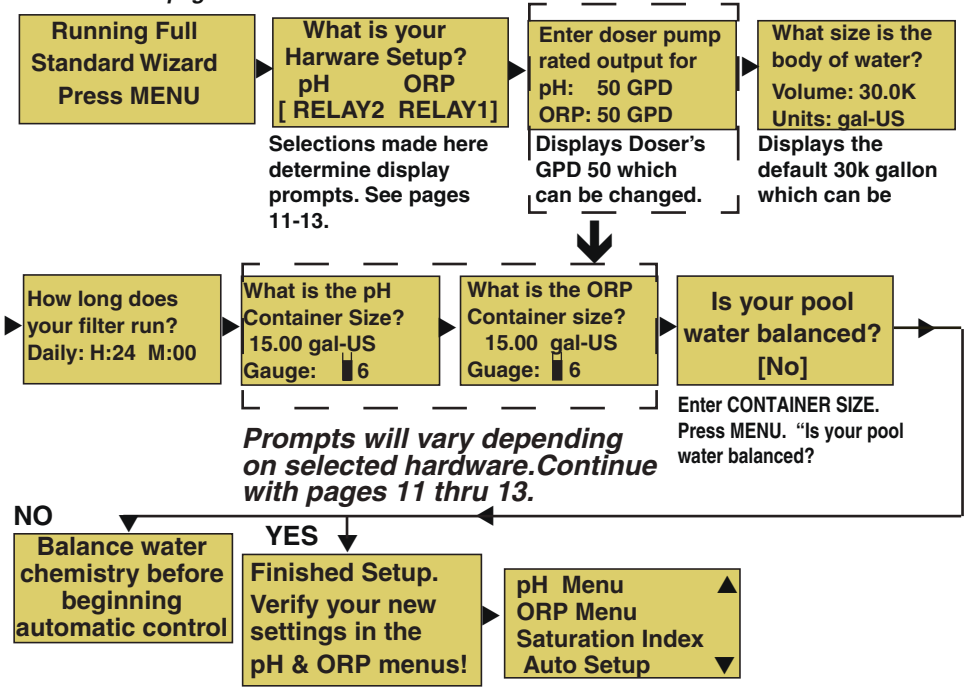
Note: See page 11 -13 (Wizard #1) for numbered selection sequence (①-⑨) as shown in the pH/OPR table on right.

Hardware setup menu when *previous values have been reset* are as shown on the right. If you choose to '**use previous values**', the sequence begins with the prior choice appearing as the first in the list.

	pH	ORP
①	RELAY2	RELAY1
②	RELAY2	EX_IC
③	RELAY2	ICHLOR
④	CO2/R2	DUALRL3
⑤	RELAY2	DUALRL3
⑥	CO2/R2	DUALSCG
⑦	CO2/R2	RELAY1
⑧	CO2/R2	EX_IC
⑨	CO2/R2	ICHLOR
	RELAY2	DUALSCG

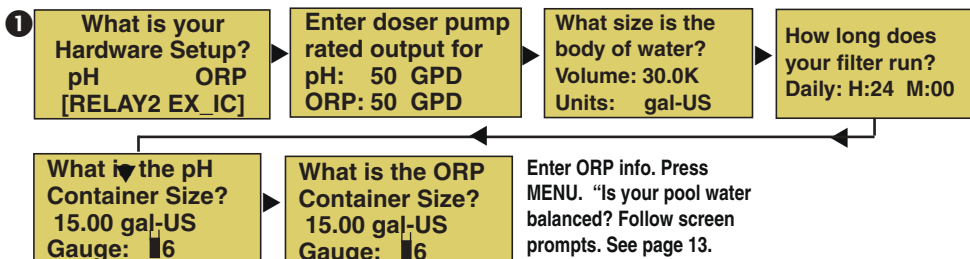
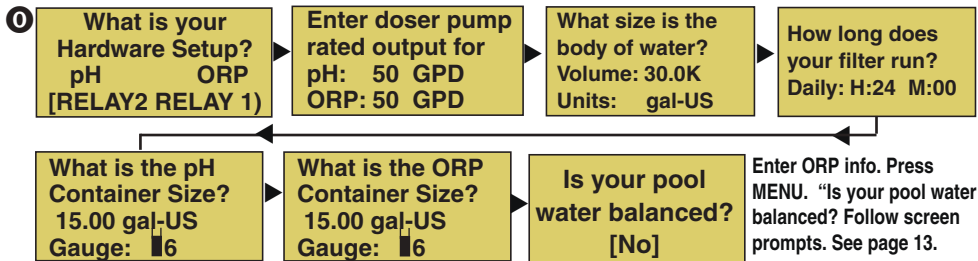
WIZARD #1 Auto Setup Sequence (Continued)

Continued from page 8.

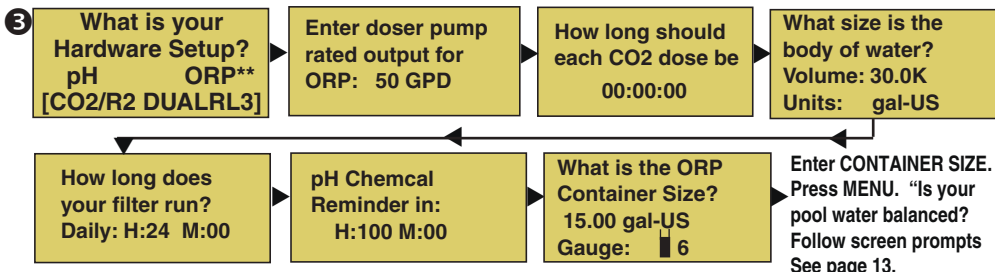
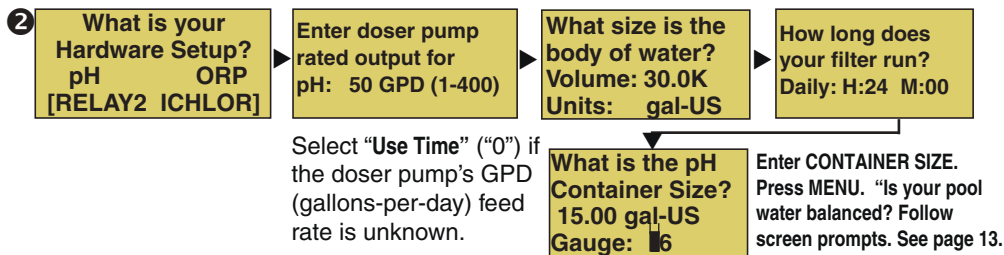


Note: The units used for dose size in the main menu will automatically be set to milliliters(ml) if either the pool volume is set to less than 4k gallons or the container size is specified in liters. Note: 1 oz = approximately 3 ml.
 NOTE: When the pool filter time is set to 24 hours, the ORP and pH dose limits are set to clear every 24 hours instead of at power-on. If the RTC clock is enabled and the dose limit is set to clear every 24 hours, the limit counters will be cleared at midnight instead of after 24 hours of run time. The Dose Limit "Clear" menu selection for pH and ORP corresponding to "24 Hr" reads "Midnight" accordingly.

WIZARD #1 - Auto Setup Sequence (Continued)



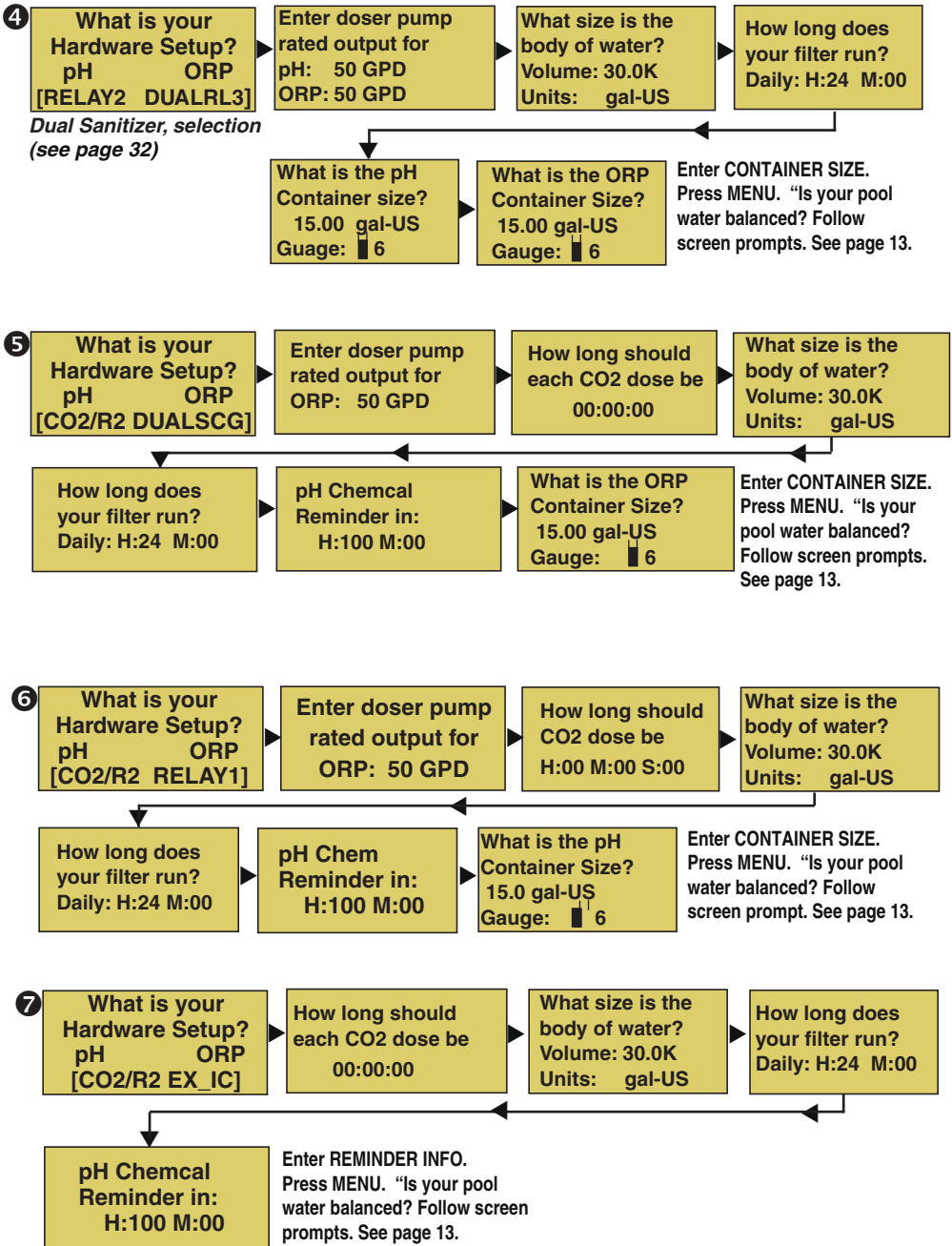
Note: The units used for dose size in the main menus will automatically be set to milliliters(ml) if either the pool volume is set to less than 4k gallons or the container size is specified in liters.



Continue on next page.

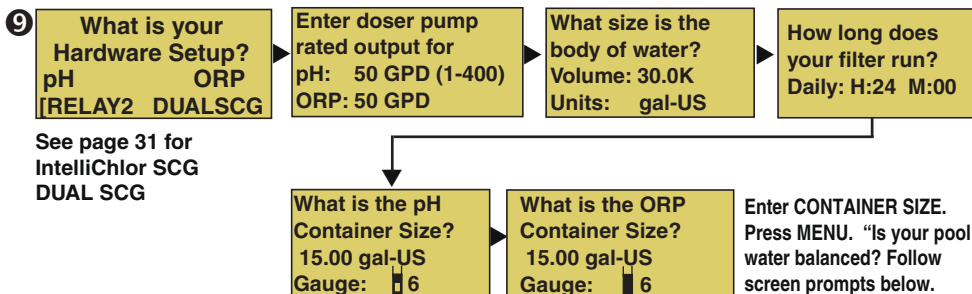
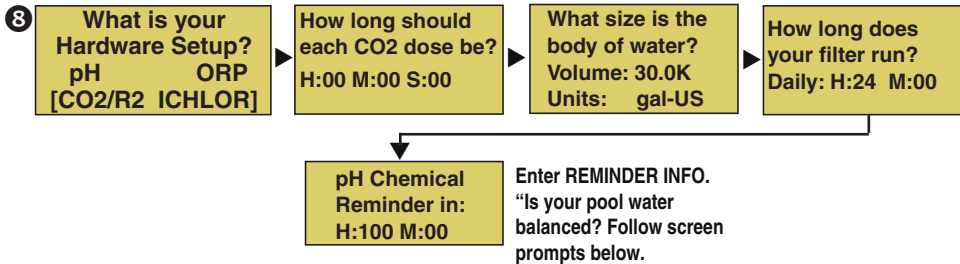
(**) Note: If **Dual Sanitizer** is selected, the ORP menu adds item **Dual Bkup** which is the threshold below setpoint when the EX_RELAY1 will start feeding. It is adjustable from 0 to 50mV (default=20mV)

WIZARD #1 - Auto Setup Sequence (Continued)

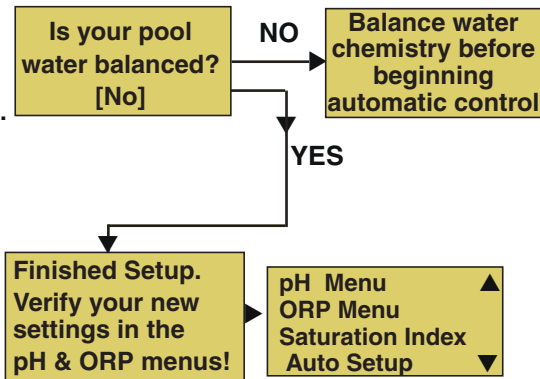


Continue on next page.

WIZARD #1 - Auto Setup Sequence (Continued)



Continue here from pages
10-12
screen prompts.



Wizard #2 Auto Setup Sequence

Continued from page 8.

Wizard #2 Guide

Choose Wizard:
#2: Dose By-Time
pH=RLY2, ORP=RLY1
Mix=5, NoSupplies

Wizard #2, named “**Dose-By-Time pH=RLY2, ORP=RLY1, Mix=5, NoSupplies**”, provides an easy auto-setup using factory default settings for one specific IntelliChem® configuration with just the basic features.

AK110:	“On Time”	“MinTimeOff”	“Overfeed”
IntelliChem:	“Dose time”	“Mix time”	“Dose Limit”
pH	1 minute	5 minutes	1 hour
ORP	1 minute	7 minutes	3 hours

Default parameters for both dosers are set up as Dose-by-Time with Mix time of 5 minutes; filter time is set to 24 hours.

Parameter	Default	Other choices
Dose-by	Time	Volume
Doser GPD	50	1-400 GPD
Body of water	30k gal	200 to 230k gal
Daily filter time	24 hours	Specify in hours and minutes
Mix time	Fast (5 minutes)	Slow (1/24 th of filter time)

Dose Times

Feed times are then calculated. Dose limits are calculated as 4 ppm of pool volume using 10.7 oz per 1 ppm for each 10k gallons of water as recommended for sodium hypochlorite (chlorine) in the CPO Manual. The same limits are used for acid.

If Dose-by-Volume was selected, the associated main menu’s pH and/or ORP Dosage menus will reflect that and show the volumes calculated for each dose and limit, respectively. *For simplicity, those resulting volumes are not shown in the wizard.*

Mix Times

The mix time is used to space out the doses to allow the pool water to reach an equilibrium before considering another dose; however, in some environments, a faster response time is desired. The “Fast (5 minute)” option allows the next dose to begin as soon as 5 minutes after the prior dose is finished. Be aware that with a 5 minute mix time, the daily dose limit may be reached relatively early in the day.

The “Slow (1/24)” option calculates a mix time that would dispense the doses evenly over the course of the daily filter run time. If the daily filter time is 24 hours, then the mix time is approximately 1 hour minus the time it takes for one dose.

Continue on next page.

Wizard #2 Auto Setup Sequence

Dose Limits

The two final Wizard #2 screens display the results of the calculated pH and ORP dose parameters based on the 4-ppm calculation described above. Each screen allows the you to quickly modify those values by using the Select the UP arrow to move to each time parameter and the Press the ▼/▲ **Up/Down arrow button** to change the value.

Legacy Controller Terminology and Default Settings:

AK110:	"On Time"	"MinTimeOff"	"Overfeed"
IntelliChem:	"Dose time"	"Mix time"	"Dose Limit"
pH	1 minute	5 minutes	1 hour
ORP	1 minute	7 minutes	3 hours

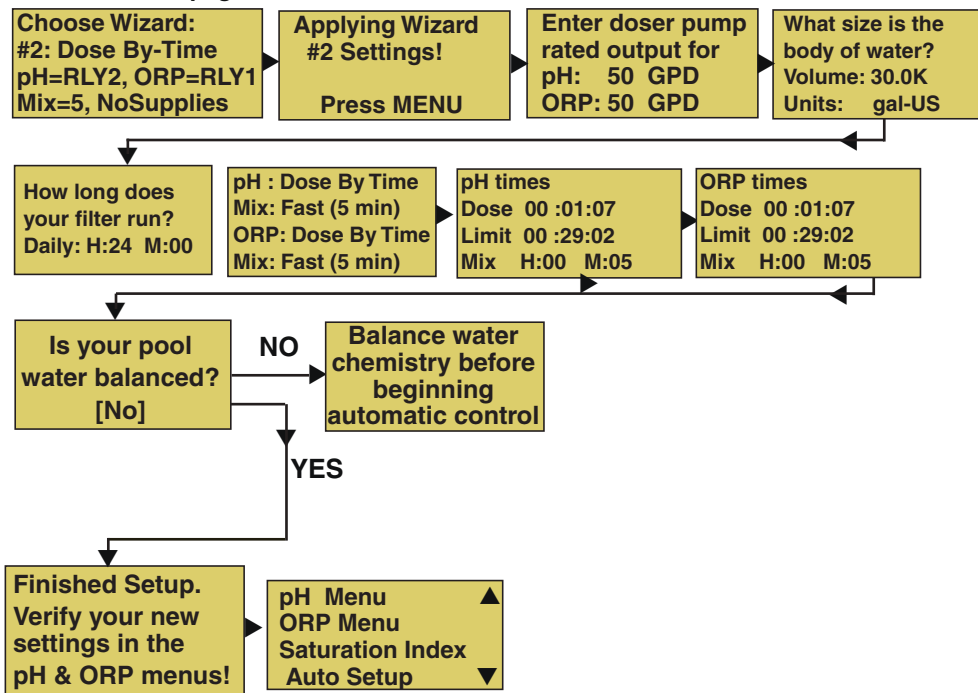
Supplies Reminders

The pH and ORP container sizes are set to **zero** in this wizard, so there are *no prompts for container size or supplies reminders*. The reminders feature is disabled when Wizard #2 is used. For a more complete choice of options, use **Wizard #1 and select the [RELAY2, RELAY1] for the hardware setup**.

Wizard #2

Press the ▼/▲ **Up/Down arrow button** to scroll through the controller configurations. Press the MENU select next screen.

▼/▲ **Up/Down arrow button** to select Wizard #2. See page 8.



MENUS

Clock & Temp History Data

(page 18)

PH MENU

(page 19)

- **pH Dosage** (Screen 1/2) **Dosage (For liquid; Volume/Time):** (For CO₂; Time or to set point): Mixing Time: H:24 M:59
- **pH Dose by Volume** (Screen 2/2) Dose: [0-9999], Limit: [0-64350], Units: [oz/ml], Clear [Power-On, Manual, 24-Hours]
- **pH Dose by Time** (2/2) Dose: [00:00:00], Limit: [00:00:00], Clear: [Power-On]
- **pH Dose to Setpoint** (2/2) Limit: [00:00:00], Clear: [24hr Flow]
- **pH Setpt:** 7.5 (use Left/Right button to adjust pH set point)
- **pH Tweak** - reading = 7.xx tweak: 0.0 (+/- 0.3)
- **pH Supply** (1/2) **Units:** gal-US/gal-UK/Liters/Time, **Chemical:** [Acid, pH-, Base, pH+] - (2/2) - **Capacity:** 0.000-200.00 gal-US/galUK/Liters - **Gauge:** Egg timer or tank gauge - (2/2) **Time:** Reminder in: H:100 M:00
- **Sensitivity:** - [Low/High/Off] - Full Dose at 0.5pH (Low - Liquid, CO₂), (High 0.2pH from set point).
- **pH Alarms:** (1/2) High 7.8 - Delay 00:05:00 - (2/2) Low: 6.8 Delay 00:05:00

ORP MENU

(page 22)

- **ORP Dosage** (1/2) **Dosage (For liquid; Volume/Time):** (For Salt Chlorine Generator; Time or to set point): Mixing Time: H:24 M:59
- **ORP Dose by Volume** (1/2) Dose: [0-9999], Limit: [0-64350], Units: [oz/ml], Clear [Man/PO/24]
- **ORP Dose by Time** (1/2) Dose: [00:00:00], Limit: [00:00:00], Clear: [Manual/PowerON/24 hrs.]
- **ORP Dose to Setpoint** (2/2) Limit: [00:00:00].
- **ORP Setpt:** 700 (use Left/Right button to adjust ORP set point)
- **Dual Bkup:** -20. For Dual Sanitizer selection. Adjustable from 0 to 50mV (default=20mV)
- **ORP Tweak** - reading = xxx tweak: 0.0 (+/- 50mV)
- **ORP Supply** (1/2) **Units:** gal-US/gal-UK/Liters/Time, **Chemical:** [Chlorine/Bromine] - (2/2) - **Capacity:** 0.000-200.00 gal-US/galUK/Liters - **Gauge:** Egg timer or tank gauge - **Gauge: Egg Timer or tank gauge** - (2/2) **Time:** Reminder in: H:100 M:00
- **Sensitivity:** - [Low/High/Off] - Full Dose at 50 mV ORP (Low - Liquid), (High 20 mV from set point, Off (IntelliChlor OFF))
- **ORP Alarms:** Screen 1/2: High 750 - Delay 01:00:00 - 2/2 Low: 650 Delay 02:00:00

SAT INDEX

– **Page 37** - pH: 7.5 - Temp: 00°F -

AUTO SETUP

– **Wizard #1 and Wizard #2. Page 7-14.** **Calc PPM** – **Page 36**

CONFIGURATION

(page 19)

- **Pool Details:** Volume: 0.2K-230K (200-230,000 Liters max) Units: Gal US (gal-US/gal-UK/Liters), Daily Hrs/Mins
- **Display Mode:** Display Mode: Basic/Advanced, Brightness Front LEDs: (0-100%), Menu/BkLt Hrs/Mins. (24 hrs -30sec.)
- **Delays:** Power-On: 1-60 mins. (15min default) - FlowSwitch: 1-60 mins. (1 min default) - Doser/Probe: Seconds 0,15,30,60secs.
- **Set Password:** PW [1234] - Lock [Off/Menu/ALL]
- **Preferences: pH Lockout:** 7.8, **Preferences** (2/2): Saturation Index, Alarm: +/- 0.3,
- **Dose Priority:** [Simultaneous, pH Priority]
- **Diagnostics:** Software Rev, Meter Test (Auto Calibration), Probe Test (Open Probe Test) Timers, Chlorinator, Status Codes, Factory Reset, Self Test
- **Hardware: pH Control:** (1/2) Doser Type [Internal Pump, External/Relay, CO₂ Ext/Relay, None] - pH Control. (2/2) Flow: xx GPD *See page 30 for details*
- **Hardware: ORP Control:** (1/2) Doser Type (None, IntelliChlor, External/Relay, Dual Sani: OFF/ICHLOR/RELAY3. (2/2) Ex_Relay1 or Ex_Relay2 (2/2:ICHLOR/all models) (2/2) External: Ex_Relay1, Ex_Relay2, Rate: Use Time, 1-400 GPD
- **Alarm Output:** None, Ex_Relay1, Ex_Relay2
- **Temperature - Clock & Data - Address: 1. Page 33-35.**

Navigating IntelliChem® Controller Menus

The following examples show how to navigate the main menus and sub-menus. Press the **MENU button** to access the main menu. Press the **▶ Right arrow button** to select a menu item and select items in a sub-menu. Press **◀/▶** to select previous/next item on a page. To change a menu setting or value press the **▼/▲ Up/Down arrow button**. Press the MENU button to exit and return to the previous menu items. Note: Settings are automatically saved when changed.

Example: To change the pH dosage settings (pH Dosage screens 1/2 and 2/2):

Press **MENU ▼/▲ pH Menu ▶ pH Dosage ▶**

▶ Clock & Temp ▲
History Data
pH Menu
ORP Menu ▼

Saturatn Index ▲
Auto Setup
Configuration ▼

▶ pH Dosage
pH Setpt: 7.5
pH Tweak
pH Supplies

pH Dosage 1/2
Dose: by Volume
Mixing Time:
H:00 M:59

pH Dosage 2/2
Dose Limit Units
3 21 [oz]
Clear [Power-On]

pH Dosage 1/2
Dose: by Volume
Mixing Time:
H:09 M:59

▶ pH Menu ▲
ORP Menu
Auto Setup
Configuration ▼

pH OK 7.46
Mixing 00:07:03
ORP OK 450
Mixing 00:07:54

1. Press the **▼/▲ Up/Down arrow button** to scroll through the main menu items. For this example choose pH menu.
2. Press the **▶ Right arrow button** to select the pH menu.
3. Press **▶ arrow button** to select pH Dosage (page 1 of 2). Press **▼/▲** to toggle between pH Dosage page 1/2 and page 2/2.
4. From pH Dosage page 1/2, press the **▶** to select Dose (feed method). To change the feed method press **▼/▲** to change the selection: “by Volume” or “by Time”.
5. Press the **▶** to select the next item. The cursor moves down to the “Mixing Time” hours setting (H:00).
6. Press the **▼/▲** to adjust the Mixing Time hours between feeding acid. Press **▶** to select the minutes. Press **▼/▲** to adjust the minutes. After adjustment, the display shows the new setting. Note: Press either **◀/▶** button to scroll forward or backwards within this sub-menu.
7. Select 1/2 page indicator. Press the **▼/▲** buttons to select the next pH Dosage screen (2/2).
8. Use **◀/▶** buttons and **▼/▲** buttons to select and change the “Dose” (amount of liquid dispensed before waiting for a mix time), Limit (amount of liquid dispensed in one day, Units (apply to dose and limit) and clear dose limits setting.
9. Press the **MENU** to return to the previous pH Dosage page 1/2 menu items.
10. Press the **MENU** again to exit pH Dosage menu. Note: All settings are immediately save when changed.

Clock & Temp Menu

To access Clock & Temp or History Data, Press MENU ► Clock & Temp

Displays the current clock's Date, Time, and water Temperature sensor reading. The clock and water temperature features must be set up in the **Configuration Hardware** menu (See page 51).

Clock & Temp	▲
History Data	
pH Menu	
ORP Menu	▼

To access Clock & Temp or History Data, Press MENU ► Clock & Temp - Displays the current clock's Date, Time, and water Temperature sensor reading.

Date, Time & Temp
Sat 07/08/2019
DST/S 5:40:35
Water 82.1 F

Date, Time, Temperature: In front of the time, if the clock is set to either of the "Auto: DST" selections, text will be displayed indicating the current season. The indicator should change automatically when the corresponding time of year occurs. **DST/S:** indicates it's in Daylight Saving Time (Summer) mode. **STD/W:** indicates it's in Standard Time (Winter) mode.

History [204]	▲
pH ORP PPM Temp	
8.1 793 4.3 82	
07/08/19 19:36	▼

History Data: This page is accessed from the main menu's. Displays a single record of the historical data log. **Note: Time is shown in 24-hour format.**

History [217]	▲
pH ORP PPM Temp	
8.1 721 2.5 73	
07/08/19 06:04	▼

History Data item, displays a single record of the historical data log. The number in brackets indicates the record's memory location, numbered 1 through 360. The data is stored in a circular, repeating log. After 360 records, the oldest record is overwritten. The data is stored in a compact format and resolution is limited to that shown on the display. Use the UP and DOWN arrows on the front keypad of the IntelliChem to index through the log file.

History [217]	▲
Alarm Code	
000000H	
07/08/19 06:04	▼

The temperature is shown in whichever unit (C or F) was selected when the data was written to the log file. Each record is stored at either 1-hour or 2-hour intervals from the time the unit is powered on. If the IntelliChem does not sense water flow, it will not read the sensors. In this case, the main display will indicate either No Flow or Flow Delay. If a history record is written when no readings are available, the data record will be shown indicating "No Flow" along with the current alarm code. For more information about **alarm codes**, see page 45.

History [195]	▲
pH ORP PPM Temp	
No Flow, 000001H	
07/08/19 16:51	▼

Each data record also includes the alarm code value. Use the LEFT or RIGHT arrow on the keypad to shift the display to show the associated code.

pH Menu Description

Clock & Temp ▲ Histroy Menu ▶ pH Menu ORP Menu ▼	▶ pH Dosage ▲ pH Setpt: 7.2 pH Tweak pH Supplies ▼	pH Dosage 1/2 Dose: by Time Mixing Time: H:00 M26
by Volume	by Time	by Setpoint
pH Dosage 2/2 Dose Limit Units 1200 64100 [mL] Clear [Manual]	pH Dosage 2/2 Dose 00:33:45 Limit 04:14:00 Clear [Power-On]	pH Dosage 2/2 Dose to Setpoint Limit 00:08:00 Clear [24hr]

To access the pH Menu: Press **MENU ▶ pH Menu ▶ pH Dosage** - The pH Dosage screen 1/2 displays the current dose method (by Volume, Time or to Setpoint).

pH Dosage (for Internal and External Pumps)

pH Dosage (page 1/2)

Mixing Time: Select the amount of time in hours and minutes that the IntelliChem® Controller will wait in between pH feeding. It should be set to allow sufficient mixing time for the chemicals to become distributed throughout the pool. The pH Mixing Time is set by Auto Setup.

Dose (by Volume/Time): Choose the feed method: “by Volume” and “by Time” are available choices for liquid dosers, as determined by the hardware setup. If CO2 is selected, then the available choices are “by Time” and “To Setpoint”. If pool volume is less than 4k gallons, these units automatically get set to milliliters (ml) for better resolution.

pH Dosage (page 2/2)

Dose (Volume): Displays the current dose size (0-9999) in ounces [oz] or milliliters [ml]. Set the amount of ounces (or milliliters) that the IntelliChem controller will feed pH (acid) each time the IntelliChem controller calls for pH chemicals. The Dose (Volume) is set by Auto Setup wizard based on pool volume and filter run time.

Dose (Time/Setpoint): Displays the current pH dose (feed) time. If pool volume is less than 4k gallons, these units automatically get set to milliliters (ml) for better resolution. Sets the amount of time in hours, minutes and seconds that the IntelliChem controller will feed pH (acid) each time the IntelliChem controller calls for pH chemicals. The pH dose time is set by Auto Setup. The Dose (Time) is set by Auto Setup wizard based on pool volume and filter run time. Dose (to Setpoint) does not have a dose amount, only a time limit.

Limit (Time/Volume): Displays the current feed limit. Sets the maximum amount of time/volume in hours, minutes and seconds or volumetric units that will be allowed to feed pH chemicals. As a safety feature, the IntelliChem controller will only allow a certain amount of pH chemicals to feed into the system in a 24 hour period. Set the maximum amount of time in hours (0-24) that will be allowed to feed. The IntelliChem controller tracks each dose time, and adds them together. When the maximum dose time is reached or exceeded, the ORP feed system is prevented from feeding until the next 24 hour period begins, or when the feed timers are cleared manually. The default pH Limit is based on a safe limit of 2 ppm of the size of the pool, up to a 5 oz maximum. The Limit (Time/Volume) is set by Auto Setup wizard based on pool volume and filter run time.

Continue on next page.

pH Menu Description (Continued)

pH Dosage (page 2/2) *Continue*

Clear: Select **Power-On** to clear the pH dose limit time when IntelliChem® Controller is powered on. Select **Manual** to manually clear the pH dose limit timers and select **Midnight** (see page 19) to clear timers automatically each 24 hour period of continuous operation or each day at midnight. To protect the pool water, IntelliChem controller will automatically shutdown pH and ORP feed control and display an alarm message if IntelliChem controller (or any other dispensing device) runs non-stop for more than the selected Limit time or volume. This prevents IntelliChem from non-stop feeding pH reducer, because of a sensor error or external problem with the pool. This allows you to

pH Set Point

Displays the current pH set point value. Adjust the pH set point to meet pool and spa chemistry standards. The adjustable range is from 7.2 to 7.6 in increments of 0.1. The default pH set point value is 7.5.

To adjust the acid feed pH set point: Press **MENU pH Menu ► ▼pHSetpt**
Press ◀/▶ to decrease or increase the current pH set point value.

Note: When using CO₂, parameters are the same as above.

pH Tweak

The exact reading of each individual pH sensor can vary because of water makeup and variances in probe condition age, etc. The pH Tweak menu feature allows you to adjust the pH sensor reading to match the manual reading taken. The adjustable range is +/- 0.3. After adjusting the pH value, the main screen should now display the same value as the manual reading.

To adjust the pH sensor level:

Press **MENU ▼/▲ pH Menu ► pH Tweak**

The current value is displayed (reading = x.xx). Press ▼/▲ to adjust the pH sensor level (+/- 0.3). To remove the tweak, set the level back to 0 (zero).


pH Supplies


pH Supply (page 1/2)

Units: Select gal-US, gal-UK, Liters or Time (hours/minutes)*.

Chemical: Use Acid, (pH -) or Base (pH+).

pH Supply	1/2
Unit: USGal	
Chemical:	
[Acid, pH-]	

pH Supply	2/2
Capacity:	
15.00 gal-US	
Gauge:	3 

pH Supply	2/2
Reminder in:	
H:1000 M:00	
Gauge:	6 

pH Supply (page 2/2)

Capacity: Select from 0 to 200 maximum gal-US, gal-UK, or Liters.

***Time (Reminder in: H:xxx M:xx)** If the supply Units were set to Time, the Capacity feature becomes a Reminder feature, as in an egg-timer. This can be used to trigger an alarm, based on cumulative feed times as to when to check the CO₂ cylinder. Set the reminder time in hours (0-8760) and minutes (00-59) on ORP Supply page 2/2. Note: Entering the hours and minutes time (H:00 M:00) will display the hour glass icon on the main screen.

Level Gauge (liquid only): Displays level gauge when using liquid chemical doser. Tank icon symbol is used for liquid chemical configurations that include valid supply and doser feed rate information.

pH Menu (Continued)

pH Sensitivity

The IntelliChem® Controller can adjust the feed times for pH depending on how close the current reading is to the set point. This helps to prevent overshooting and makes it easier for the IntelliChem controller to reach the exact set point. Note: **Low** = (default) Full dose at 0.5 pH above setpoint. **High** = Full dose at 0.2 pH above setpoint.

Off = Full dose at 0.005 pH above setpoint

For example: When set to LOW (full dose at 0.5 above setpoint), if pH setpoint is 7.2 and pH reading is 7.7 or above, a full dose amount is dispensed. As the pH comes closer to setpoint, say 7.45 (0.25 above setpoint - or- half the 0.5 pH value), the dispensed amount will be 1/2 of the specified dosage. And, at 0.05 (1/10th of 0.5 value) above setpoint (7.25), the dosage will be 10% of that specified in the dosage menu. In that case, if the dosage was specified to be 10 ounces, IntelliChem controller will dispense only 1 ounce at a time. This can be confusing because the display appears to not be dosing the full amount; therefore, in the Advanced display mode, the process timer shows “%Dosing 0.1 oz”, the “%” indicates the dosage is reduced due to this Sensitivity feature. In SPA Mode, the leading “s” in “sDosing 0.1 oz” indicates the dose is further reduced by 25%.

To set the pH Sensitivity level: Press MENU - pH Menu ▼/▲ pH Sensitivity ►

pH Sensitive - Monitoring in SPA Mode (Dosing)

pH	>OK	7.28	
Monitoring			
pH	OK	7.25	
sDosing		0.1 oz	

The Advanced display mode shows the current pH dosage. If both SPA Mode and %Sensitivity are active, the Advanced display screen will alternate between the two screens. “Dosing” message is preceded with an “s” to indicate automation is in SPA mode and the doses are cut to 25%.

pH	>OK	7.28	
Monitoring			
pH	OK	7.25	
%Dosing		0.1 oz	

“Dosing” is preceded with a “%” to indicate the dosage is being reduced through the Sensitivity feature.

Spa Mode is activated when the IntelliChem Controller detects that the control system has turned on the Spa. The SPA indicator should be illuminated on the automation control panel. Switching from a large body of water like a pool to a typically a smaller spa automatically reduces the dispensed dosage to 25% of a normal dose. The IntelliChem’s Advanced display precedes the Dosing message with a “s” to indicate it is in this mode. This feature is only available if the IntelliChem Controller is connected to a Pentair control system.

pH Alarms

The IntelliChem controller automatically displays a screen message indicating the pH level has reached or exceeded the **HIGH (8.0) or LOW (6.8)** pH alarm level settings. The IntelliChem controller will automatically set a high and low alarm for the pH level. The Delay time is the amount of time between the detected alarm condition and when the IntelliChem controller displays the alarm message on the main screen. The Delay setting is adjusted in increments of 15 seconds.

To set the pH alarm “High” level and “Delay” time (page 1/2):

Press MENU pH Menu ► pH Alarms ► ▼/▲ pH Alarms ► ▼/▲ (page 1/2 is High Level Alarm, page 2/2 is Low Level Alarm)

Press ► to select the alarm, High level and Delay Time (00:50:00).

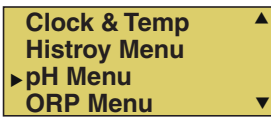
To set the pH alarm “Low” level and “Delay” time (page 2/2):

Press MENU ▼/▲ pH Menu ► pH Alarms ▼/▲ Low / Delay (2/2)

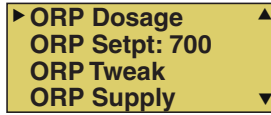
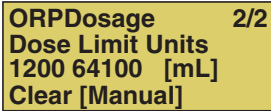
Press ▼/▲ to change pH alarms Low level and Delay Time (00:05:00).

ORP Menu Description

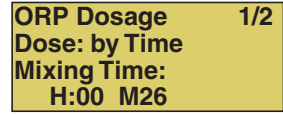
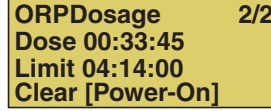
ORP Dosage (dispense chlorine or bromine)



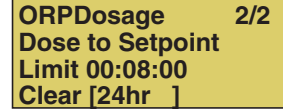
by Volume



by Time



by Setpoint



To access the ORP Menu: Press **MENU** ► **ORP Menu** ► **ORP Dosage** - The ORP Dosage screen 1/2 displays the current dose method (by Time or to Setpoint).

ORP Dosage (for Internal and External Pumps)

ORP Dosage (page 1/2)

Mixing Time: Select the amount of time in hours and minutes that IntelliChem will wait in between ORP dosing. It should be set to allow sufficient mixing time for the chemicals to become distributed throughout the pool. The ORP Mixing Time is set by Auto Setup.

Dose (by Volume/Time): Choose the feed method: “by Volume” and “by Time” are available choices for liquid dosers, as determined by the hardware setup. If IntelliChlor (SCG) is selected, then the available choices are “by Time” and “To Setpoint”.

ORP Dosage (page 2/2)

Dose (Volume): Displays the current dose size (0-9999) in ounces [oz] or milliliters [ml]. Set the amount of ounces (or milliliters) that IntelliChem will dose ORP (chlorine/bromine) each time IntelliChem calls for ORP chemicals. The Dose (Volume) is set by Auto Setup wizard based on pool volume and filter run time. If pool volume is less than 4k gallons, these units automatically get set to milliliters (ml) for better resolution.

Dose (Time/Setpoint): Displays the current ORP dose (feed) time. If pool volume is less than 4k gallons, these units automatically get set to milliliters (ml) for better resolution. Sets the amount of time in hours, minutes and seconds that IntelliChem will feed ORP (chlorine/bromine) each time IntelliChem calls for ORP chemicals. The ORP dose time is set by Auto Setup. The Dose (Time) is set by Auto Setup wizard based on pool volume and filter run time. Dose (to Setpoint) does not have a dose amount, only a time limit.

Limit (Time/Volume): Displays the current feed limit. Sets the maximum amount of time/volume in hours, minutes and seconds or volumetric units that will be allowed to feed ORP chemicals. As a safety feature, the IntelliChem will only allow a certain amount of ORP chemicals to feed into the system in a 24 hour period. Set the maximum amount of time in hours (0-24) that will be allowed to feed. IntelliChem tracks each dose time, and adds them together. When the maximum dose time is reached or exceeded, the ORP feed system is prevented from feeding until the next 24 hour period begins, or when the feed timers are cleared manually. The default ORP Limit is based on a safe limit of 2 ppm of the size of the pool, up to a 5 oz maximum. The Limit (Time/Volume) is set by Auto Setup wizard based on pool volume and filter run time.

Clear: Select **Power-On** to clear the ORP dose limit time when IntelliChem is powered on. Select **Manual** to manually clear the ORP dose limit timers and select **Midnight** to clear timers automatically each 24 hour period of continuous operation or each day at midnight.

ORP Menu Description (Continued)

ORP Set Point

Displays the current ORP set point value. Adjust the ORP set point to meet pool and spa chemistry standards. The adjustable range is from 400 to 900 mV in increments of 10. The default ORP set point value is 700 mV.

To adjust the ORP set point: Press **MENU ORP Menu ►▼ORP Setpt**
Press ◀/▶ to decrease or increase the current ORP set point value.

Note: When using IntelliChlor SCG, parameters are the same as above.

ORP Tweak

The exact reading of each individual ORP sensor can vary because of water makeup and variances in probe condition age, etc. The ORP Tweak menu feature allows you to adjust the ORP sensor reading to match the manual reading taken. The adjustable range is **+/- 50mV**. After adjusting the ORP value, the main screen should now display the same value as the manual reading.

To adjust the ORP sensor level:

Press **MENU ▼/▲ pH Menu ► ORP Tweak**

The current value is displayed (reading = x.xx). Press ▼/▲ to adjust the ORP sensor level (+/- 50 mV). To remove the tweak, set the level back to 0 (zero).


ORP Supplies

ORP Supply (page 1/2)

Units: Select gal-US, gal-UK, Liters or Time (hours/minutes)*.

Chemical: Use Chlorine or Bromine.

ORP Supply	1/2
Unit: USGal	
Chemical:	
[Chlorine]	

ORP Supply	2/2
Capacity:	
15.00 gal-US	
Gauge:	3 

ORP Supply	2/2
Reminder in:	
H:1000 M:00	
Gauge:	6 

ORP Supply (page 2/2)

Capacity: Select from 0 to 200 maximum gal-US, gal-UK, or Liters.

***Time (Reminder in: H:xxx M:xx)** If the supply Units were set to Time, the Capacity feature becomes a Reminder feature, as in an egg-timer. This can be used to trigger an alarm, based on cumulative feed times as to when to clean the SCG plates. Set the reminder time in hours (0-8760) and minutes (00-59) on ORP Supply page 2/2. Note: Entering the hours and minutes time (H:00 M:00) will display the hour glass icon on the main screen.

Level Gauge (liquid only): Displays level gauge hour when using liquid chemical doser. Tank icon symbol is used for liquid chemical configurations that include valid supply and doser feed rate information.

ORP Menu Description (Continued)

ORP Sensitivity

IntelliChem® Controller can adjust the feed times for ORP depending on how close the current reading is to the set point. This helps to prevent overshooting and makes it easier for IntelliChem controller to reach the exact set point. Note: **Low= 50** (default) Full dose at 20mV below setpoint. **High= 20** Full dose at 20mV below setpoint **Off=** Full dose at 1mV below setpoint.

For example: When set to LOW (full dose at 50mV below setpoint), if ORP setpoint is 700 and ORP reading is 650 or below, a full dose amount is dispensed. As the ORP comes closer to setpoint, say 675mV (25mV below setpoint - or- half the 50mV value), the dispensed amount will be 1/2 of the specified dosage. And, at 695 (1/10th of 50mV value) below setpoint (700), the dosage will be 10% of that specified in the dosage menu. In that case, if the dosage was specified to be 10 ounces, the IntelliChem controller will dispense only 1 ounce at a time. This can be confusing because the display appears to not be dosing the full amount; therefore, in the Advanced display mode, the process timer shows **“%Dosing 0.1 oz”**, the **“%”** indicates the dosage is reduced due to this Sensitivity feature. In SPA Mode, the leading **“s”** in **“sDosing 0.1 oz”** indicates the dose is further reduced by 25%.

To set the ORP Sensitivity level: Press MENU - ORP Menu ▼/▲ ORP Sensitivity ►

ORP Sensitive - Monitoring in SPA Mode (Dosing)

ORP	>OK	7.28	
Monitoring			
ORP	OK	652	
sDosing	0.1 oz		

The Advanced display mode shows the current ORP dosage. If both SPA Mode and %Sensitivity are active, the Advanced display screen will alternate between the two screens. “Dosing” message is preceded with an “s” to indicate automation is in SPA mode and the doses are cut to 25%.

ORP	>OK	7.28	
Monitoring			
ORP	OK	652	
%Dosing	0.1 oz		

“Dosing” is preceded with a “%” to indicate the dosage is being reduced through the Sensitivity feature.

Spa Mode is activated when the IntelliChem Controller detects that the control system has turned on the Spa. The SPA indicator should be illuminated on the automation control panel. Switching from a large body of water like a pool to a typically a smaller spa automatically reduces the dispensed dosage to 25% of a normal dose. The IntelliChem’s Advanced display precedes the Dosing message with a “s” to indicate it is in this mode. This feature is only available if the IntelliChem Controller is connected to a Pentair control system.

ORP Alarms

IntelliChem automatically displays a screen message indicating the ORP level has reached or exceeded the **HIGH (750 mV) or LOW (650 mV)** pH alarm level settings. IntelliChem will automatically set a high and low alarm for the ORP level. The Delay time is the amount of time between the detected alarm condition and when IntelliChem displays the alarm message on the main screen. The Delay setting is adjusted in increments of 15 seconds.

To set the ORP alarm “High” level and “Delay” time (page 1/2):

Press MENU ORP Menu ► ORP Alarms ► ▼/▲ ORP Alarms ► ▼/▲
(page 1/2 is High Level Alarm, page 2/2 is Low Level Alarm)

Press ► to select the alarm, High level and Delay Time (00:50:00).

To set the ORP alarm “Low” level and “Delay” time (page 2/2):

Press MENU ▼/▲ ORP Menu ► ORP Alarms ▼/▲ Low / Delay (2/2)

Press ▼/▲ to change ORP alarms Low level and Delay Time (00:05:00).

Configuration Menu

Pool Details

From this menu, you can set your pool size, units to display and the daily run time which should match your daily pool pump filtration time.

Volume: Pool volume (size). Select range is 200 - 230,000 gal (gal-US, gal-UK and Liters).

Units: Select units to display in English (gal-US), (gal-UK) and Metric Liters.

Daily: This daily run time is used for calculating dose and mix times. It is set and used in the Auto Setup script and should be the amount of time the pool pump/filter runs each day.

To access the Pool Details menu:

Press **MENU ▼ Configuration ► Pool Details ►**

Display Modes

Mode: Selects which display mode is displayed: **Basic or Advanced**, Basic mode displays the current pH and ORP levels with any alarms and fuel gauge if enabled. Advanced mode displays high resolution pH and ORP levels and process messages, timers (see page 7).

LEDs: Adjusts the brightness level (0-100%) of the front panel LEDs.

Menu: Adjusts the amount of time (minutes/seconds) the menu will be on each time the control panel is activated and also the time the entered password is valid.

BkLt: Adjusts the amount of time (hours/minutes) the controller screen backlight will be on each time the control panel is activated.

To access the display mode menu: Press **MENU ▼ Configuration ► ▼ Display ►**
Press **▼/▲** to adjust display settings.

Delays (minutes)

Power-On: Sets the delay time from power up to the first display screen reading. The adjustable time is from 1 to 60 minutes. The default power on time is 14 minutes

Flow Switch: Sets the delay time from when the Flow Switch is active to the first display screen reading. The adjustable time is from 1 to 60 minutes. The default flow switch delay time is one minute.

Doser/Probe: Sets the delay time from when the Doser turns on to when it takes the next probe measurement. Adjustable time is 0 to 60 seconds. Default is 15 seconds. Use longer times to prevent interaction of doser from affecting the measurement.

To access the delays menu: Press **MENU ▼ Configuration ► ▼ Delays ►**
Press **▼/▲** to set the delay settings.

Configuration Menu (Continued)

Set Password

The IntelliChem® Controller menus, the pH button and ORP button on the control panel can be password protected. Once a password has been set, the IntelliChem controller will not allow access to the menu system and no changes to be made without entering the password. For more information see page 6.

PW: Enter a four digit password [0000]. Each digit can be assigned 0-9.

Lock: Select OFF, MENU (password protect the main menu) or ALL (password protect all control panel buttons.) Once the password is entered, access is granted for the duration specified by the Menu timeout setting in the Configuration/Display Mode menu. If the menus are locked, changes via the automation interface will also be locked out. To access the password menu:

Press **MENU ▼ Configuration ► ▼ Set Password ►**

Press **▼/▲** to select the digit and **◀/▶** move to next digit. Note: If you forget the password, first try the default password 1234, then call Customer Support for assistance.

Preferences (1/2)

To access the delays menu: Press **MENU ▼/▲ Configuration ► ▼ Preferences ►**

Press **▼/▲** to adjust the following settings.

Preferences 1/2 pH
Lockout: 8.0
Probe Check: No

pH Lockout: is the pH reading at which IntelliChem will no longer dose sanitizer (Chlorine/Bromine). Above pH of 8.0 it is generally understood that the ORP reading is suppressed and therefore will not be used to administer additional sanitizer. Just bringing the pH level down will raise the available chlorine and the effective ORP. At this trip point, an alarm message will be shown on the screen and ORP doses will cease.

Probe Check: This feature provides an increased level of confidence that the pH and ORP probes are connected and performing properly before a dose is started. If enabled, once a measurement determines that a dose is necessary, a 30-second test is performed on the probes. If the test fails, the alarm is turned on and further dosing is locked out for whichever probe failed. The display will then show "ORP Check Probe" or "pH Check Probe".

To check the failure, first inspect the probe, the wiring and the connections at both ends. Next, go to the Configuration I Diagnostics menu and select Probe Test to retest. If the test passes, the alarm will automatically be cleared. Press Menu (Back) button to return to the main display. If this happens repeatedly, replace the probe and possibly the cable. The alarm is also cleared when IntelliChem is powered on. Refer to Diagnostics menu, page 28.

Note: Although this test can detect some problems with the cable and probe, it should not be relied upon for ensuring safety nor can it take the place of routine inspections and maintenance.

Configuration Menu (Continued)



Preferences (2/2)



Preferences	2/2
Saturation Index	
Alarm: Disabled	
Delay: 00:30:00	

Saturation Index

Alarm: Disabled: The Saturation Index (SI) level Alarm is set to Disabled as the default setting. If the Saturation Index (SI) level is in the “Corrosive” or “Scaling” range, this feature allows you to activate the alarm and enter a Saturation Index (SI) alarm threshold value between +/- 0.1 to +/- 0.9.

Delay: The Alarm Delay feature sets the delay time before the SI Alarm (see above) message is displayed. Enter the delay time from 00:15:00 to 24:00:00 (30 minutes default). Note: Once the SI has passed the threshold for the delay period, an alarm message is displayed showing the Saturation Index Alarm (along with other pH alarms) that includes the value and description.

pH	>OK	7.44	
		-.72 Corrosive	
ORP	OK	730	
Monitoring			

pH	>OK	7.44	
		+.32 Scaling	
ORP	OK	730	
Monitoring			

These alarm messages are also displayed on the IntelliTouch, EasyTouch and SunTouch control panel.

Dose Priority

To access the delays menu: **Press MENU ▼/▲ Configuration ►▼ Dose Priority ►**
Press ▼/▲ to select option.

Dose Priority: pH Priority or Simultaneous.

Depending on how the IntelliChem chemical dosers are plumbed and how much water is circulating in the system where the chemicals are injected into the water stream, it may be preferred to only feed Chlorine when Acid is not feeding. This would be the pH Priority setting.

- Simultaneous allows both chemicals to feed at the same time - and can be used when both feed systems are not liquid chemicals or the injectors are separated by a safe distance in the water stream. DANGER: Combining liquid acid and chlorine can result in the formation of hazardous and explosive gas.
- pH Priority will always feed acid first, and only during the acid mix time or general monitoring period will the IntelliChem feed the liquid chlorine sanitizer. If while feeding chlorine, the pH rises above setpoint, the ORP dose will be stopped and allow acid to feed.

Configuration Menu (Continued)

Diagnostics

Software Rev: Displays the software revision.

Meter Test: Performs an internal self-test of the pH/ORP meter and sensing circuitry. Ensures both circuits are performing properly. First tests the High circuit in the uncalibrated state, waits for a button press, then tests the Low circuit and waits for a button press. Once these two tests complete, it proceeds with the self-calibration. A Pass or Fail message is displayed. If this test fails, disconnect power and check for water or dirt on the circuit board. Use a can of dry compressed air to clean the board if necessary. If the test continues to fail, contact technical support.

Probe Test: This test takes approximately 30 seconds. Perform this test with the sensor cables and probes installed. Probes must be clean and in water. Possible results are:

Both Probes Good

pH: Good ORP:Bad

pH: Bad ORP:Good

pH: Bad ORP:Bad

Probe Check: Refer to page 58 for more information on probe (sensor) check.

Timers: This displays the counters used for tracking the cumulating dose volume and/or time used in determining the Dose Limit. It shows:

“PCs” PH cumulative dose limit timer in Days HH:MM:SS

“Ocs” ORP cumulative dose limit timer in Days HH:MM:SS

“ml” Milliliters of cumulative dose for Ph and Orp (0-9999) stops at 9999 ml

“Run” the RUN TIME in Days, HH:MM:SS since powered up.

Configuration Menu (Continued)

Diagnostics (Continued)

Chlorinator: This screen displays the current IntelliChlor® (SCG) status, salt (ppm) levels and error conditions. The hexadecimal status value is decoded and displayed in the brackets on the bottom line; multiple error conditions are shown by sequencing through the messages.

This display can be used to determine if the IntelliChlor SCG is connected and responding to the IntelliChem® Controller. If the IntelliChlor SCG is connected, this display may show “Please wait 2-7 minutes for ppm”. This indicates the IntelliChlor SCG is responding to initial contact but until water flow and sufficient salt level is reached, the IntelliChlor SCG will not respond with further information like salt ppm and status. Sometimes it is helpful to cycle power on the IntelliChlor SCG and wait 10 minutes for the green lights before it will respond with ppm and status information; it may not respond if the Salt or Cell lights are flashing red.

If the Configuration / Hardware / ORP Control / Doser Type is set to IntelliChlor, the IntelliChem will control the IntelliChlor as it would a doser, actively turning it on (100%) for chlorine demand, and off (0%) when the ORP reaches the desired set point.

For the Chlorinator to work when connected to an Automation controller such as the IntelliCenter™, IntelliTouch®, EasyTouch®, or SunTouch® Control System, those units must be configured with the IntelliChlor SCG enabled. The displays is as follows:

Chlorinator Info:

Salt: 4500 ppm

Status Code=00H

[OK-NO ERRORS] V

To get updated

ppm, cycle SCG

power and wait.

Press any button

Possible messages are:

No Flow

Low Salt

Very Low Salt

Configuration Menu (Continued)

Status Codes: This displays a complex series of values that indicate the real-time status and alarm conditions.

Top line, Codes: HA= is the automation Home Address that IntelliChem has locked onto.

In the upper-right corner,

R0,1,2,4 which represents the UOC comm status.

R0 = standalone (no KA from Automation since power up)

R1 = Found KA packets within 30 seconds of power up

R2 = Found KA packets later, after 30 seconds, so was operating in standalone for a while

R4= Was in Automation mode (sending IntelliChlor commands through IntelliTouch) but has dropped the connection.

The two-digit number (0-99) directly below the R# is the number of seconds it's gone without a valid KA packet. It should generally be 00-04 seconds. More than that means that IntelliChem is missing the automation KA packets.

Factory Reset: Clear all calibrated values and run Auto Setup to initialize IntelliChem. For Factory Default Settings.

Self Test Sequence: Upon entering a self test sequence, all dosing will pause until the test is completed. Follow the on-screen prompts. "PASSED" indicates the test was successful. See Troubleshooting section for error conditions, on page 51.

Hardware

Most common hardware configurations can be selected by using the Auto Setup Wizard. This menu allow more complex and custom settings. Use the Hardware menu to configure IntelliChem for the pH and ORP hardware controls and dose being used. Upon entering the hardware setup menu, all dosing will pause until the hardware setup is completed.

After pressing the Hardware button the following message is displayed.

Dosing will
resume when you
exit this menu
Press any button

To access the hardware menu: **Press MENU ▼ Configuration ► ▼ Hardware ►**

pH Control (Screen 1/2 - 2/2)

Doser Type 1/2: Select the pH Control Dose Type:

- IntelliChem pH feed method being used (EXTERNAL/RELAY, CO2 Ext/RELAY (Carbon dioxide tanks), NONE).

Doser Type 2/2:

- **EXTERNAL/RELAY:** Ex_Relay 2 or Ex_Relay 1
- **EXTERNAL CO2:** Ex_Relay 2 or Ex_Relay 1

Flow (Rate) 2/2:

- **Ex_Relay 2:** RATE: 50 GPD (gallons per day). Note: Set to 0 to use time-based feed instead of volumetric
- **EXTERNAL CO2:** Use Time (0) or SCFH (1-400).

Configuration Menu (Continued)

ORP Control (Screen 1/2 - 2/2)

Doser Type 1/2: Select the ORP control hardware:

- IntelliChem ORP feed method being used (IntelliChlor, External/Relay, NONE).

Dual Sanitizer: OFF, ICHLOR or RELAY3 (for COMSYS SCG):

- If Dual Sanitizer is selected, ORP menu adds an item “Dual Bkup:-20” which is the threshold below setpoint when the EX_RELAY1 will start feeding. It is adjustable from 0 to 50mV (default=20mV).

Doser Type 2/2:

- **EXTERNAL/RELAY:** Ex_Relay 1, Ex_Relay 2
- **INTELLICHLOR:** All Models (IC20, IC40, IC60). Dual Sanitizer set to OFF.

Flow (Rate) 2/2:

- **EXTERNAL:** Ex_Relay 1, Ex_Relay 2. **RATE:** 50 GPD (gallons per day).
Note: Set to 0 to use time-based feed instead of volumetric (only on the Ext Relays).

Hardware settings must be chosen carefully. If both dosers are assigned to the same internal pump or external relay, the program will display an error message upon exiting the Hardware menu.

Dual Sanitizer Feature

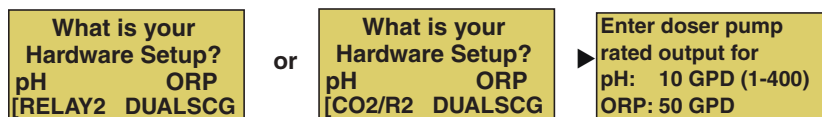
If Dual Sanitizer is selected, ORP menu adds Dual Bkup item which is the threshold below setpoint when the EX_RELAY1 will start feeding. It is adjustable from 0 to 50mV (default=20mV).

Auto Setup Mode

Dual Sanitizer Mode is selected in the Auto Setup (see page 7) by selecting ORP > DUAL along with pH set to either RELAY2 or CO2/R2. ORP Dosing is set up using EX_RELAY1 to drive the Stenner pump at a 50 GPD rate.

IntelliChlor SCG or COMSYS SCG via Relay3

In the Auto Setup wizard (see page 7), “DUALSCG” uses the IntelliChlor SCG as the primary sanitizer and the ORP Relay1 as the backup.



Continue to next page.

Configuration Menu (Continued)

DUALRL3 option: Uses COMSYS SCG via add-on Relay3 as the primary sanitizer and the ORP Relay1 as backup.

What is your
Hardware Setup?
pH ORP
[RELAY2 DUALRL3]

What is your
Hardware Setup?
pH ORP
[CO2/R2 DUALRL3]

In the **Configuration/Hardware/ORP** menu, the choices for Dual Sanitizer are: OFF, ICHLOR, and RELAY3.

ORP Control 1/2
Doser Type:
[External/Relay]
[DUALSani:OFF]

ORP Control 1/2
Doser Type:
[External/Relay]
[DUALSani:ICHLOR]

ORP Control 1/2
Doser Type:
[External/Relay]
[DUALSani:RELAY3]

Note: Using DUAL primary feeders (IntelliChlor or COMSYS SCG) operate as feed-to-setpoint. They will turn on immediately when the ORP drops below setpoint and off as soon as ORP stabilizes at setpoint.

The liquid doser (Ex_Relay1) comes on at the Dual Bkup threshold below ORP setpoint, and follows all the normal liquid doser parameters (dosage, limit, mix times, etc) until the setpoint is achieved.

During operation (Using IntelliChlor or COMMERCIAL SYSTEM (SCG))

Below ORP setpoint, if pH is below pH-Lockout level:

- SCG unit will be on
- The ORP LED will be on
- The IntelliChlor (SCG) output will turn on within one minute (typically within 15-30 seconds)
- pH Priority and Sensitivity do not affect the SCG operation
- SCG will run without a daily limit

Ext_Relay1 will run when:

1. The ORP is below the Setpoint by more than Dual Bkup (0-50mV, default=20mV)
2. If IntelliChlor (SCG) cold-water bit 6 is set.

External doser: Relay 1 will run according to the prescribed settings

- Dosage, Limit, Sensitivity, pH Priority and pH lockout
- It will continue to dose & mix until setpoint or limit is achieved
- Throughout the subsequent Dosing & Mixing cycles

Once Setpoint is reached

- SCG will turn off
- EX_RELAY1 will turn off
- Returns to Monitoring mode and will not go into Mixing mode.

Configuration Menu (Continued)

Alarm Output Select the following the IntelliChem® Controller alarm output information:

External alarm output: Ex_Relay1 or Ex_Relay2. For an external alarm indicator, an unused relay may be selected to turn on when the red Alarm LED on the front panel is turned on. The alarm relay must be chosen carefully. If Ex_Relay1 or Ex_Relay2 is used for a doser, it must not be used for an alarm output. Upon exiting the Hardware menu, the program will check to be sure the same relay is not used more than once. If a relay is assigned to more than one function, an error message will be displayed.

error message:

 Alarm Relay
 conflicts with
 Ext Doser Relay
 Changed to Ex_R1
 ----- or
 Changed to Ex_R2
 or
 Changed to N/A

Temperature: Set the water temperature. **To access the Temperature** setting, press **MENU ► Configuration ▼/▲ Hardware ▼/▲ Temperature.**

Temperature Settings:

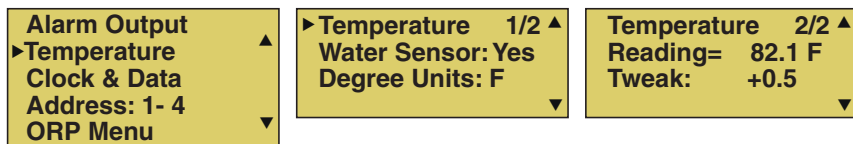
Water Sensor: Yes: Circuit board is installed and temperature readings are enabled.

No: Circuit board is not installed or temperature readings will be disabled.

Degree units: F= Fahrenheit, C= Celsius.

Reading: Result of water sensor reading corrected by the offset imposed by the tweak value.

Tweak: An offset to the raw sensor reading used to achieve the desired temperature reading.



Address (1-4): For automation control systems (IntelliCenter™), the address is selectable from 1 to 4.

Note: For standalone IntelliChlor® SCG or legacy automation control systems the address must be set to 1.

Configuration Menu (Continued) CLOCK, TIME, DATE & DAY

Clock & Data Log Settings: Set the system clock. To access the Clock and Data Log setting, press **MENU ► Configuration ▼/▲ Hardware ▼/▲ Clock & Data.**

Clock & Data Settings:

Alarm Output ▲	Clock 1/2 ▲
Temperature	Auto: DST/SUMMER
► Clock & Data	Units: AM/PM
Address: 1-4	Log Data: 1 Hr ▼
ORP Menu ▼	

Clock: DISABLED: Circuit board not installed or it is desired to not use the clock/calendar & data log features.

Clock: ON, DST OFF: Circuit board installed but automatic Daylight Saving Time adjustment is not to be used.

Auto: DST/SUMMER: Daylight Saving Time shall be automatically adjusted, currently Daylight Savings Time (summer).

Auto: STD/WINTER = Daylight Saving Time shall be automatically adjusted, currently Standard Time (winter).

Note 1: Daylight Saving Time adjustment is performed only in two cases:

A) Controller is powered on at 2AM the first Sunday of the particular month (March and November), or

B) Controller is powered on after the 7th day of March and the 7th day of November, and the adjustment has not yet taken place.

Units: AM/PM = indicate the time on the Date, Time & Temp screen in the 12-hour AM/PM format.

Units: 24Hr = indicate the time on the Date, Time & Temp screen in 24-hour format.

Note 2: Due to space limitations, the data log always shows the time in 24-hour format. The clock time is also always set in 24-hour format, as well.

Log Data: 1 Hr = record data every hour interval for at least a 15-day history.

Log Data: 2 Hr = record data every two-hour interval for at least a 30-day history.

Note: Longer time periods will be achieved if the unit is not on for 24 hours every day. For example, if the IntelliChem runs for only 8 hours each day, 1-hour interval data will be recorded for 45 days before repeating at the beginning of the file, overwriting prior data.

Clock 2/2 ▲	
Time: 05:37:50	
Date: 07/08/19	
Day: Monday ▼	

Set the time and date from this page: Time: Present time⁴
Date: Present date. Day: Day of week⁴. These settings are important for the automatic DST adjustment to operate correctly.

Note 4: The Day of week and the Seconds are only displayed on the Date, Time & Temp page, they are not stored in the data log.

Note: Always update the clock if you enter this menu because the clock is set to the displayed time upon exiting. If you linger here without changing the time, the clock be set to the time that you entered the menu, resulting in a slightly incorrect time.

Configuration Menu (Continued) CLOCK, TIME, DATE & DAY

This page, accessed from the **Main Menu's Clock & Temp item (see page 18)**, indicates the current clock's time and date along with the water temperature sensor's reading, both in the units selected in the **Configuration > Hardware** menus described on page 30.

Date, Time, Temperature: In front of the time, if the clock is set to either of the "Auto: DST" selections, text will be displayed indicating the current season. The indicator should change automatically when the corresponding time of year occurs.

DST/S: indicates it's in Daylight Saving Time (Summer) mode.

STD/W: indicates it's in Standard Time (Winter) mode.

Date, Time & Temp	
Sat	07/08/2019
DST/S	5:40:35
Water	82.1 F

History Data: This page is accessed from the main menu's **History Data item (see page 18)**, displays a single record of the historical data log. The number in brackets indicates the record's memory location, numbered 1 through 360. The data is stored in a circular, repeating log. After 360 records, the oldest record is overwritten. The data is stored in a compact format and resolution is limited to that shown on the display. Use the UP and DOWN arrows on the front keypad of the IntelliChem to index through the log file.

History [204]		▲	
pH	ORP	PPM	Temp
8.1	793	4.3	82
07/08/19	17:36		

The temperature is shown in whichever unit (C or F) was selected when the data was written to the log file. Each record is stored at either 1-hour or 2-hour intervals from the time the unit is powered on. If the IntelliChem does not sense water flow, it will not read the sensors. In this case, the main display will indicate either No Flow or Flow Delay. If a history record is written when no readings are available, the data record will be shown indicating "No Flow" along with the current alarm code. For more information about **alarm codes**, see page 51.

History [195]		▲	
pH	ORP	PPM	Temp
No Flow,	000001H		
07/08/19	16:51		

History [217]		▲	
pH	ORP	PPM	Temp
7.6	643	2.3	75
01/02/20	23:20		

Each data record also includes the alarm code value. Use the LEFT or RIGHT arrow on the keypad to shift the display to show the associated code. *Note: See page 35 for information on recording data in minute intervals.*

History [217]		▲
Alarm: 000600H		
→	ORP Limit	
	01/02/20	23:20

ALARM CODE: Each data record also includes the alarm code value. Use the LEFT or RIGHT arrow on the keypad to shift the display to show the associated code. The history page's alarms are fully decoded showing the name of each alarm active at that point in time. For example, along with "Alarm 000401H it alternates: "ORP Limit" and "No Flow". This works for all 20 fault codes. In the following example, "Alarm 000600H alternates the message: "ORP Limit" and "PH Limit" corresponding to the alarm code. You can clear the history data by selecting menu: Configuration > Diagnostics > Factory Reset. So that it doesn't display incorrect data, the program automatically clears the history records if the memory test comes up with "New Firmware ID#" or "Invalid Memory" faults.

History [217]		▲
Alarm: 000600H		
→	PH Limit	
	01/02/20	23:20

Calculated PPM Menu

The IntelliChem Controller can calculate the PPM level based on the present readings of pH and ORP, and take into consideration the effect of Cyanuric Acid concentration.

Saturatr Index ▲
Auto Setup
Configuration
► Calc PPM ▼

To access the Calc PPM Menu: Press **MENU** ►
Calc PPM - The Calc PPM page displays the current **cPPM** value.

► Tweak: +0.7 ▲
Alarm < 2.5 PPM
Show: 2. secs
CPPM= 5.0 ▼

The cPPM Tweak has a range of +/-5.0, so it can bring a reading of 9.9 down to 4.9 or a reading of 0 up to 5.0 – and of course anything in between. It does not allow the cPPM value to get below 0 or above 9.9.

pH OK 7.00 ▲
Monitoring
PPM LOW 1.0
Monitoring ▼

The PPM and ORP value may be shown exclusively or alternating on the third line of the main display depending on the setting of the “Show” parameter.

pH OK 7.00 ▲
Monitoring
ORP OK 733
Monitoring ▼

Parameter	Range	Default	Description
ALARM	OFF and PPM	2.0	Low PPM alarm threshold. Uses ORP Low alarm delay time period before setting alarm indicator. Alarm is only active if PPM is selected to be shown at all, and only after the ORP alarm delay.
Show	ORP, PPM, or 1 to 10 seconds	Alternating 2 second	Determines what is shown on main display. Either only ORP or only PPM, or both alternating a specified number of seconds each.
cPPM	0 to 9.9	-	The real-time calculated free chlorine PPM based on the current pH and ORP readings, and CYA.

Auto Setup Sequence

Auto Setup

See page 7 for details.

SAT Index Overview

Saturation Index

The Saturation Index (SI), also called the Langelier Index, is a chemical equation or formula used to diagnose the water balance in the pool. The Saturation Index formula is **SI = pH + TF + CF + AF - 12.1 (or 12.2 for salt pools)**. To calculate the Saturation Index, you must first test the pool water for pH, temperature, calcium hardness, and total alkalinity. Refer to a chart for assigned values for your temperature, hardness, and alkalinity readings then add these to your pH value. Subtract 12.1 (or 12.2 for salt pools), which is the constant value assigned to Total Dissolved Solids and a resultant number will be produced. A result between +/-0.3 indicates balanced water. Test results not within these values require chemical adjustments to achieve balance. This formula is more or less reliable but not guaranteed. In some cases, individual readings for pH, calcium, and Total-Alkalinity might be beyond normal recommendations, however, combined within the formula can produce "balanced water." The SI is useful to pinpoint potential water balance problems.

To access the Sat Index menu:

Press MENU ▼/▲ Saturatn Index ►

Press ▼/▲ and ◀/▶ to adjust the Saturation Index values.

pH Menu ▲
ORP Menu
► Saturatn Index
Configuration

pH: 6.0	Temp: 77F
CH: 250	SLT1000
TA: 90	CYA:18
SI = -0.9	CORRSV

Sat Index Menu

Note: The pH, Temp, and SLT are entered automatically as the numbers are available from the measurement and automation system. Each time this display is entered, if available, the current temperature is obtained from the IntelliTouch®, EasyTouch® Control System), SLT is obtained from the IntelliChlor® Salt Chlorine Generator (SCG). But these values can be changed on this screen for calculation purposes.

pH: Enter the current pH value.

Temperature: Enter the current temperature setting.

CH: Enter the current calcium hardness level.

SLT: Enter the current salt level or Total Dissolved Solids (TDS) level if no SCG is used.

TA: Enter the current total alkalinity value.

CYA: Enter the current cyanuric acid value.

SI: Displays the last calculated SI value (Corrosive/Scaling/Ideal). **Note: If there is no flow or Flow Delay is enabled, no SI value displayed.**

pH: 6.0	Temp:77F
CH: 250	SLT1000
TA: 90	CYA:18
SI = N/A No Flow	

pH: 6.0	Temp: 77F
CH: 250	SLT1000
TA: 90	CYA:18
SI = N/A FlowDelay	

Sat Index Overview (Continued)

Recommended Pool Chemistry

pH range:	7.2 to 7.6
ORP range:	400 to 900 mV
Alkalinity:	80 to 120 ppm
Calcium Hardness:	200 - 500 ppm

pH: Chlorine produced by the IntelliChlor® SCG is close to Neutral pH. However, other factors usually cause the pH of the pool water to rise. Therefore, the pH in a pool chlorinated by IntelliChlor SCG tends to stabilize at approximately 7.8. This is within APSP standards. If the pool pH rises above 7.8, have a pool professional test to see if other factors such as high Calcium Hardness or Total Alkalinity are the cause and then balance accordingly.

Temperature: The pool water temperature can affect the saturation index value. IntelliChem gets the temperature from the EasyTouch, IntelliTouch and SunTouch automation control system or from its own temperature sensor. The automation control system must have the POOL or SPA pump running to report the proper temperature to IntelliChem, otherwise IntelliChem will use its own menu's temperature value. To change the IntelliChem default temperature, select **Temp** and use the **Up/Down arrow** to temporarily adjust the temperature.

pH Level Test: Test the pH level of your pool water with a reliable test method. If necessary, adjust according to your pool professional's recommendations. APSP's recommended ideal range for pH is 7.2 to 7.6. Note: Never use dry acid (sodium bisulfate) to adjust pH in arid geographic areas with excessive evaporation and minimal dilution of pool water with fresh water. A buildup of by-products can damage the IntelliChlor SCG

Calcium Hardness

Recommended range for calcium hardness is 200-500 ppm. Calcium Hardness levels should be tested weekly. Calcium hardness is the calcium carbonate scale deposited on pool surfaces. The test for Calcium Hardness is a measure of how "hard" or "soft" the water is testing. "Hard" water can have high levels of calcium and magnesium. If these levels are too high the water becomes saturated and will leave calcium carbonate scale deposits (a "white-ish," crystallized rough spot) on any surface inside the pool. If the levels are too low, the water becomes "soft" and will corrode surfaces inside the pool. Use TSP or Hydroquest 100 to lower Calcium Hardness levels that are too high or add water to the pool which has a lower calcium hardness content. Levels which are too low require the addition of calcium chloride.

Total Dissolved Solids (TDS): Adding salt to pool water will raise the TDS level. While this does not adversely affect the pool water chemistry or clarity, the pool water professional testing for TDS must be made aware salt has been added to the IntelliChlor system. The individual performing the TDS test may then subtract the salinity level to arrive at a TDS level that would be compatible to a TDS reading for a non-salt water pool.

Note: If a salt chlorine generator is being used for your pool, the salt level is the TDS level of the pool.

Sat Index Overview (Continued)

Total Alkalinity

APSP's recommended ideal range for total alkalinity is 80 to 120 ppm for "gunite" and concrete pools and 125-170 ppm for painted, vinyl, and fiberglass pools. Test levels weekly and adjust according to your pool professional's recommendations. Total Alkalinity can be described as a buffer that keeps pH in order. pH depends on the ability of the total alkalinity in the water to withstand the changes in pH. If the total alkalinity is too high, adding acid (similar to pH) lowers the level. Adding a base (e.g. sodium bicarbonate) when total alkalinity is low, raises the level. The level of total alkalinity in the water is a measurement of all carbonates, bicarbonates, hydroxides, and other alkaline substances found in the pool water.

Cyanuric Acid

Cyanuric acid is needed in outdoor pools to help to stabilize and maintain proper levels of chlorine. 90% of unstabilized chlorine is destroyed by the UV radiation from the sun. Cyanuric acid stabilizes chlorine in water from UV degradation. When using the IntelliChlor SCG, the cyanuric acid level should be maintained less than 30 ppm.

Optimum Pool Water Chemistry Conditions for Salt Water Pools (using the IntelliChlor® Salt Chlorine Generator (SCG))

In accordance with the Association of Pool and Spa Professionals (APSP) standards, it is recommended that the pool water chemistry conditions (see page 21) be maintained on an on going basis to help protect pool users, pool related equipment and surfaces in and around the pool.

These values are important to maintaining the pool equipment in proper operating condition and preventing corrosion, liming or other problems. The IntelliChlor (SCG) is warranted to operate properly only if these conditions are met. For more information, refer to your local agency having jurisdiction, NSPI (National Spa and Pool Institute), the CDC (Centers for Disease Control), or the WHO (World Health Organization). Recommended pool water chemistry is given below:

Free Chlorine: 2.0 - 4.0 ppm. Above 4.0 ppm may cause corrosion of metal components

Combined Chlorine (Chloramines): None (super chlorinate to remove all chloramines)

pH: 7.2 - 7.8 (USE MURIATIC ACID to lower pH and Soda Ash to raise pH.)

Cyanuric Acid: Less than 30 ppm (*Always follow local codes and guidelines*)

Total Alkalinity: 80 - 120 ppm

Calcium Hardness: 200 - 400 ppm

TDS (includes salt): 3000 minimum to 5700 to 6000 maximum ppm

Salt: 3000 - 4500 ppm (ideal 3400 ppm)

Metals (Copper, Iron, Manganese): None

Nitrates: None - **Phosphates:** Less than 125 ppb

Using the Langelier Saturation Index (LSI) to Diagnose Water Balance

Use the **Langelier Saturation Index (LSI)** calculator to diagnose the water balance in your pool. Water with a LSI of 1.0 is one unit above a balanced condition. Reducing the factors by 1 unit will bring the water into equilibrium. To use the LSI calculator, refer to: <http://www.pentairpool.com/support/calculators/langelier/index.htm>

Sat Index Overview (Continued)

Calculating the Saturation Index

The saturation index is a formula that relates pH, calcium and alkalinity in the pool water. A well balanced pool water will have a formula result range between -0.5 and 0.5. Outside this range, the pool water is out of balance, potentially damaging pool equipment or scaling the salt chlorine generator. The equation to calculate Si is:

$$SI = pH + CHF + AF + TF - TDSF$$

pH as
tested

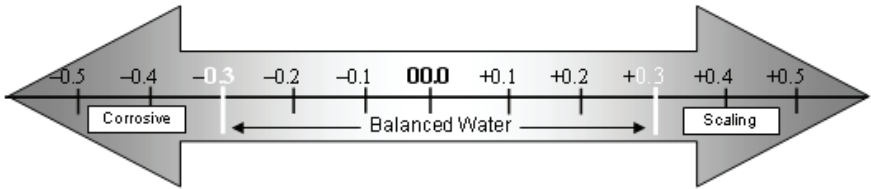
Calcium
Hardness

TDS Factor
(12.1 non-salt,
12.2 salt pools)

Cyanuric acid in the form of cyanurate ions contribute to alkalinity. Thus, a correction must be made to total alkalinity. We subtract 1/3 of the cyanuric acid level from the reading obtained in the total alkalinity test.

Total Alkalinity - 1/3 Cyanuric Acid = Corrected Alkalinity

This correction can be considerable in established pools with high cyanuric acid levels; for example, at 240 ppm cyanuric acid, the correction amounts to 80 ppm ($240 \div 3 = 80$).



Saturation Index Tables (as recommended by NSPF)

Temperature		TF	Calcium Hardness		Total Carbonate Alkalinity	
°F	°C		ppm (mg/L)	CHF	ppm (mg/L)	AF
32	0.0	0.0	25	1.0	25	1.4
37	2.8	0.1	50	1.3	50	1.7
46	7.8	0.2	75	1.5	75	1.9
53	11.7	0.3	100	1.6	100	2.0
60	15.6	0.4	125	1.7	125	2.1
66	18.9	0.5	150	1.8	150	2.2
76	24.4	0.6	200	1.9	200	2.3
84	28.9	0.7	250	2.0	250	2.4
94	34.4	0.8	300	2.1	300	2.5
105	40.6	0.9	400	2.2	400	2.6
			800	2.5	800	2.9

INSTALLATION (COMMERCIAL INTELLICHEM® CONTROLLER AND FLOW CELL)

Installing the Commercial IntelliChem® Controller

Before installing the IntelliChem controller, read the following instructions.

1. **IMPORTANT!** If the equipment pad is below the water level of the pool, please install a CHECK VALVE **after** the heater or use a Hartford Loop.
2. Identify new and existing equipment to be connected.
3. **Caution: The input water maximum pressure is 25 PSI.**
4. **Determine the supply voltage, and wire the transformer wires as needed (see page 43).**
5. Determine if the control to the equipment uses the same voltage as the supply voltage. All IntelliChem controlled equipment must be compatible.
6. Determine the water-tap points for the flow cell bypass inlet and outlet.
7. Install the Flow Cell away from direct sunlight and on a flat vertical surface.
8. Switch OFF the main system circuit breaker.
9. Connect the IntelliChem Controller to a power outlet that only has power when the MAIN FILTER PUMP has power (see page 40 for recommended wiring connections). This ensures that the IntelliChem controller will only dispense chemicals when the filter pump is ON.
Note: The IntelliChem Controller must be connected to a separate dedicated circuit GFCI.
10. Install the bypass for the Flow Cell.
11. Connect the pH and ORP sensors.
12. Test the plumbing for leaks.
13. Switch on the IntelliChem controller for the first time as described on the following pages (page 33-43).

⚠ DANGER



Risk of Electrical Shock or Electrocution!

IntelliChem controller must be installed by a licensed or certified electrician or a qualified pool professional in accordance with the current National Electrical Code and all applicable local codes and ordinances. Improper installation will create an electrical hazard which could result in death or serious injury to pool users, installers or others due to electrical shock, and may also cause damage to property.

⚠ WARNING

Always disconnect the power to the IntelliChem controller enclosure at the circuit breaker before servicing the unit. Failure to do so could result in death or serious injury to serviceman, pool users or others due to electrical shock.

Mounting Commercial IntelliChem® Controller

Mount the Commercial IntelliChem controller enclosure as follows:

1. Select a location for mounting the IntelliChem controller board. Recommended requirements are as follows:
2. Install the IntelliChem controller at least 10 feet from the pool or spa wall.
3. Supply power must be routed to the IntelliChem controller in accordance with the applicable national and current local (NEC) codes (see page i-iv).
4. The installation surface must be solid and vertical. Do not mount the IntelliChem controller enclosure in a horizontal position.
5. Maintain adequate clearance for opening the enclosure.
6. The environment should be free of chemical fumes and excessive heat. The maximum temperature it should not exceed is 110 °F (50 C).
7. Mount as far as possible from sources of electrical interference.
8. Mount the enclosure on a flat surface.
9. Hold the mounting board against the mounting surface and mark the location of the mounting holes located on the top corners of the board. Prepare holes as necessary and secure the board using the provided mounting screws.



WARNING Locate the chemical feed pumps and the chemical storage tanks in a safe and secure area. Never turn the chemical feed pumps on when both flow cell valves are closed. Increased pressure may cause the feed lines to blow off and spray full strength chemicals on anyone or anything near the equipment. Securely fasten all electrical, water, and chemical lines.

Wiring the Commercial IntelliChem® Controller Transformer



DANGER!

RISK OF ELECTRICAL SHOCK OR ELECTROCUTION

Always disconnect AC power to IntelliChem controller at the circuit breaker before servicing. Failure to do so could result in death or serious injury to installer, serviceman, pool users, or others due to electrical shock.



HIGH VOLTAGE WIRING

The high voltage wiring compartment is located inside the IntelliChem controller enclosure. The IntelliChem controller must be connected to 120 VAC. Connect the IntelliChem Controller to a power outlet that only has power when the MAIN FILTER PUMP has power (see page 43 for recommended wiring connections). This ensures that the IntelliChem controller will only dispense chemicals when the filter pump is ON. There is no ground/bonding terminal required at this non-metallic enclosure. Follow manufacturers instructions when installing and testing of ground fault circuit breakers (GFCB) and interrupters (GFCI).

Connecting Commercial IntelliChlor® SCG

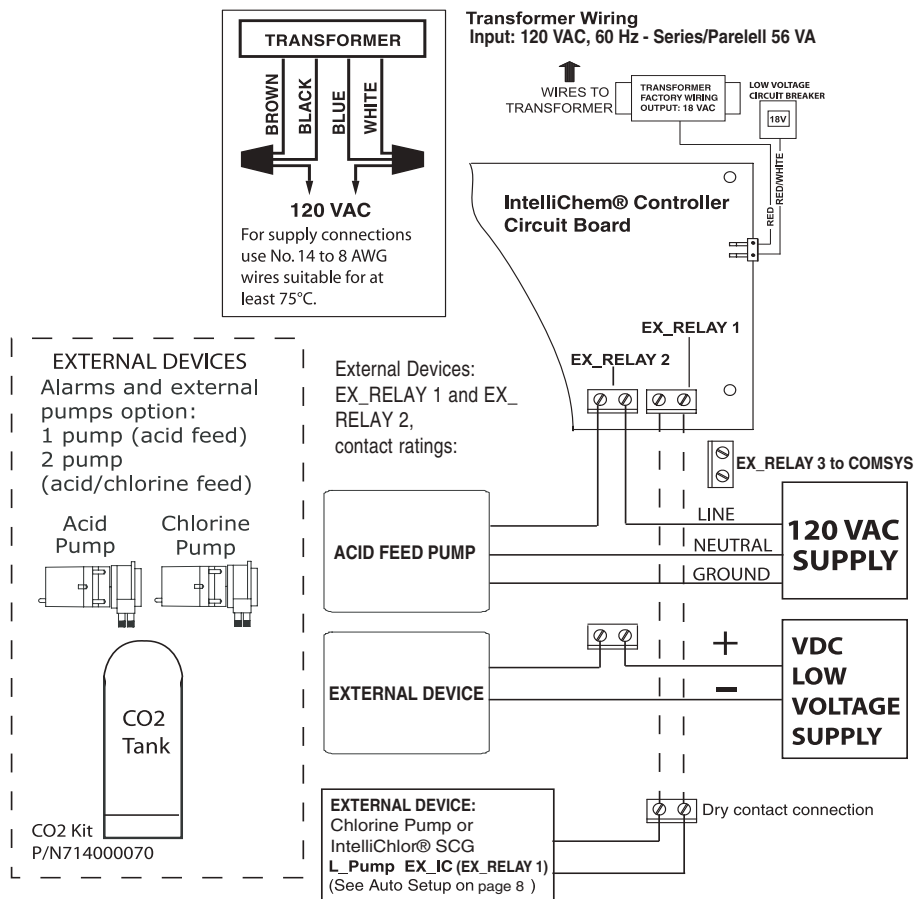
Commercial IntelliChlor SCG units can be connected to the EX_RELAY 3 dry contact relay. Relay contact ratings: 5 AMPS, 250 VAC / 30 VDC. See wiring diagram below and “Installation Plumbing Diagram” on page 48.



BE SURE TO DISCONNECT ALL SUPPLY CONNECTIONS BEFORE SERVICING THE INTELLICHEM® CONTROLLER.



Wiring external devices must be performed by a licensed electrician or a qualified pool professional in accordance with the current National Electrical Code (NEC), NFPA 70 or the Canadian Electrical Code (CEC), CSA C22.1. All applicable local installation codes and ordinances must also be adhered to. Improper installation will create an electrical hazard which could result in death or serious injury to pool users, installers or others due to electrical shock, and may also cause damage to property.



External Device Wiring Diagram

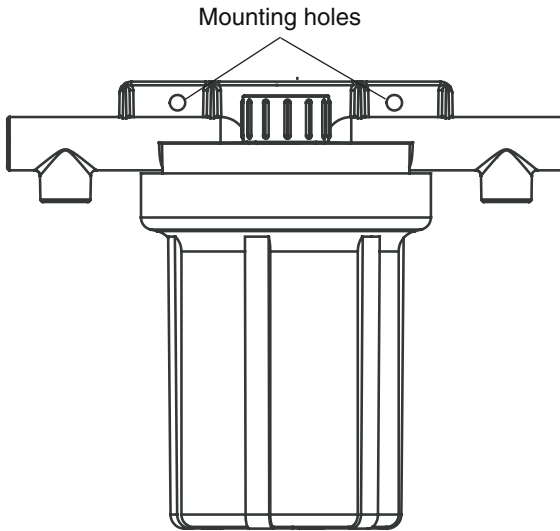
Installing the Flow Cell and pH/ORP Sensors

WARNING

pH and ORP sensors are shipped with a protective cap covering the electrode tip of the probes to protect the sensing element. **DO NOT MIX THESE CAPS** - Solutions will destroy the other type of probe. Sensors should be kept in the protective cap until ready for installation, if the sponge in the boot becomes dry, wet it with pool water. Before using the sensor remove the cap.

Mounting the Flow Cell

Note: The 3/8" flexible tubing that is required to connect the flow cell to the rest of the system is included with IntelliChem controller kit.



Installing the pH and ORP Sensors (Read This First)

Install the pH and ORP sensors as follows: For IntelliChem® Controller Plumbing Installation Diagram, see page 39.

1. Sensors wires will connect to within 10 feet.
2. Water leaks will cause damage! Mount where water does not leak and damage other components.
3. Securely fasten all electrical, water and chemical lines.
4. Locate chemical feed pumps and chemical storage tanks in a safe and secure area.
5. Maximum operating pressure = 25 psi.
6. Extreme pressure variances may affect readings and can cause damage to the sensors.
7. Avoid installing the outlet before the main pump as the vacuum may damage the chemical sensors.

Note: Do not over tighten fittings on flow cell top.

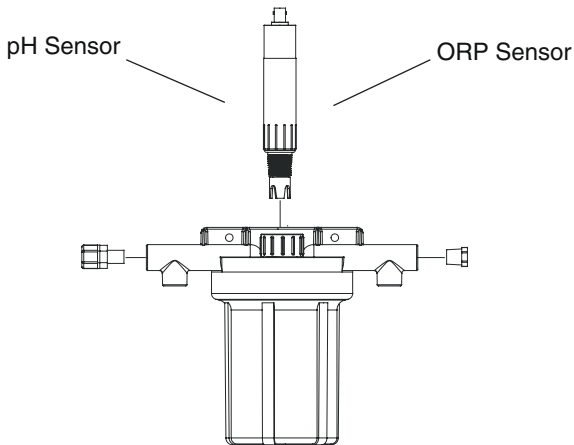
Installing the pH and ORP Sensors

To install the Flow Cell pH and ORP sensors:

1. Keep pH and ORP sensors wet at all times, install the sensors into the flow cell. **Hand-tighten only** and save caps for future use (DO NOT MIX THESE CAPS), fill flow cell with water. The sensors have O-Rings and don't require threaded sealing tape.
 - Do not rub hard on the glass element in the sensor or use sand paper or other polishing material to clean.
 - Handle electrode carefully.
 - Sensors contain external and internal glass elements.
 - Do not drop or otherwise subject the sensor to vibration, physical impact.

⚠ WARNING To avoid permanent damage of sensors or flow cell, do not use during freezing conditions.

- Leave excess wire outside the controller enclosure. If the cable is longer than needed, it should be coiled neatly and attached under the controller enclosure.
- DO NOT CUT THE SENSOR WIRES. Do not stuff excess wire inside the controller as this may cause excess strain on sensor and relay connections.



Flow Cell pH and ORP Sensor Connection Diagram

Plumbing the Flow Cell

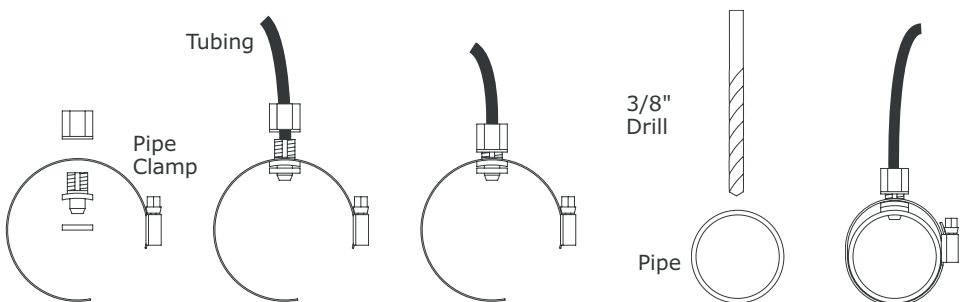
⚠ WARNING Be sure to have a licensed plumber perform all plumbing; this is important, as they will be familiar with all of the codes in the local area.

To connect the Flow Cell to the system plumbing: See page 48 for plumbing diagram.

1. At the equipment pad, switch off the filter pump and release the pressure from the system by opening the valve on top of the filter.

⚠ WARNING WARNING CHEMICAL BURN HAZARD: Make sure all pumps are switched off at the main circuit breakers at the house before drilling into any pipes. Securely fasten all electrical, water and chemical lines. Locate chemical feed pumps and chemical storage tanks in a safe and secure area.

2. Close all valves to prevent flooding.
3. Attach the IN and OUT tubes to the Flow Cell Inlet and Outlet (see Tubing Installation Diagram shown below).
4. Run the end of the IN tube to the chosen pressure line. Choose a location that provides enough space to drill and to tighten the clamp (must be after the filter, but before the heater). Be sure the tube is not pinched or kinked. Mark a spot on the pipe.
5. Locate where the water will be supplied from and returned for each flow cell. The most common location for the water inlet to the flow cell is **AFTER the main filter and BEFORE the heater**.
6. Drill a 3/8" hole for the flexible tubing fitting on the mark and immediately place the fitting into the pipe. Align pipe clamp with the fitting and tighten the pipe clamp.
7. Run the end of the OUT tube (with the pipe clamp) to the chosen return line. Choose a location that provides enough space to drill and to tighten the clamp (**must be after the heater**). Be sure the tube is not pinched or kinked. Mark a spot on the return line pipe.
8. Drill a 3/8" hole for the flexible tubing fitting on the mark and immediately place the fitting into the pipe. Align pipe clamp with the fitting and tighten the pipe clamp.
9. Open any closed system valves. Close the filter valve and turn on the circulation system. Check that the system is working properly.



Tubing Installation Diagram

Plumbing the Flow Cell (Continued)

⚠ WARNING Do not inject acid directly in to the flow cell. Injecting acid in this way will result in incorrect reading which may damage the existing pool equipment.

10. Locate the chemical injection points.
11. Prepare and install the chemical injector fittings.
12. Install the chemical storage containers.
13. Turn ON the main circulation pump.
14. Check for leaks and verify the flow sensor indicates flow.

Flow Cell Inlet and Exit Lines

1. It is essential that the supply line be at a higher pressure than the discharge line so the water will flow through the cell at a steady rate in the right direction.
2. Inlet should be installed after filter and before heater. **Note: Plumb the INLET before the solar valve.**
3. Exit should be installed after heater and as far away from any equipment as possible.

⚠ WARNING Make sure all pumps are OFF before drilling into pipes. Never switch ON chemical feed pumps without the pool filter pump also running.

⚠ CAUTION The flow switch is a dry contact only (no current). Use with any other brand of flow switch voids WARRANTY and UL listing.

Commercial IntelliChem® Controller Installation Plumbing Diagram

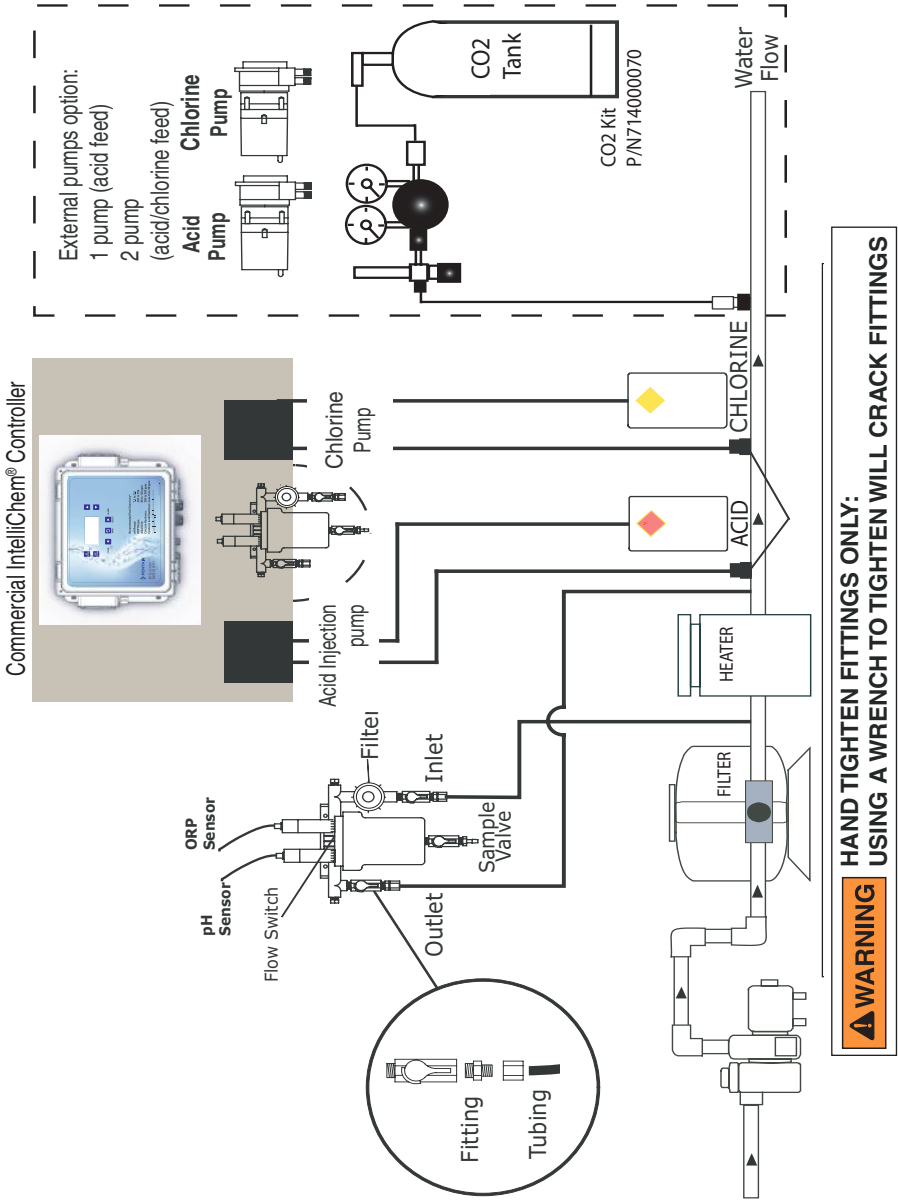
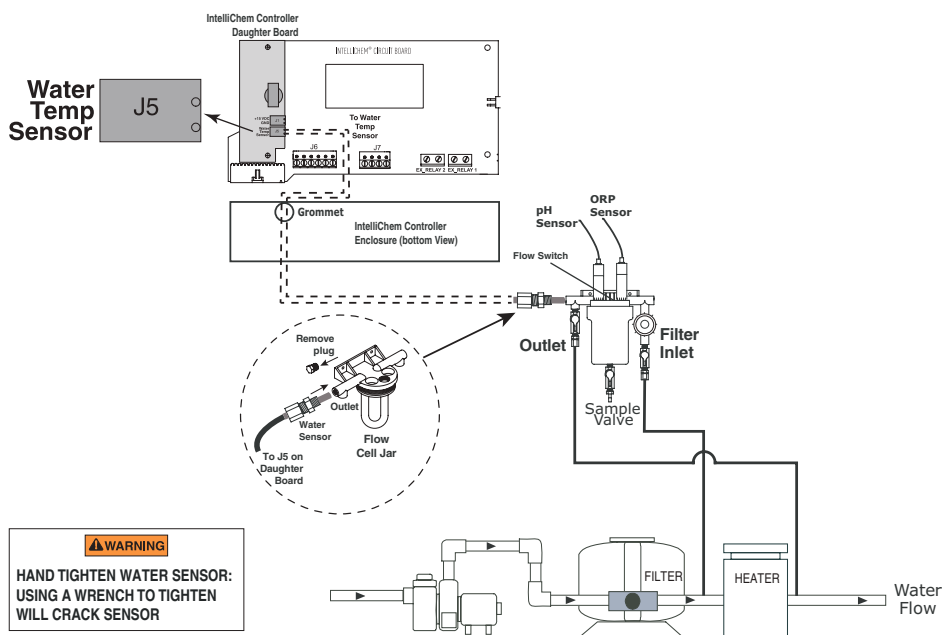


Figure 2: Commercial IntelliChem® Controller Plumbing

Installing the Water Sensor

Install the Water Sensor as follows: See Water Sensor Installation Diagram below.

1. The Water Sensor wires are 10 ft long. Be sure the IntelliChem controll enclosure is within 10 feet of the Flow Cell Jar.
2. Remove the plug from the Flow Cell Jar located on the Filter Inlet port side of the jar.
3. Carefully insert the sensor prong into the OUTLET (shown) or INLET port. Screw on the sensor fitting into the port. **HAND TIGHTEN ONLY DO NOT OVER TIGHTEN.**
4. Route the Water Sensor wires through the bottom grommet of the IntelliChem Controller enclosure.
5. Insert the Black and Red wires into J5 connector on the IntelliChem Daughter board.
6. Power up the system and check for water leaks. Water leaks will cause damage to other components! Check the Water Sensor is firmly secure onto the fitting and that water does not leak out of the fitting. Extreme pressure variances may affect readings and can cause damage to the sensors.



IntelliChem® Controller Water Sensor Installation

CONNECTING TO SENSOR WIRES

WARNING The Flow Switch is a Dry Contact Only (No Current). This Flow Switch should only be used with the IntelliChem® Controller. Use of this Flow Switch with any other brand of controller will void the warranty and UL listing.

NOTE: The Commercial IntelliChem Controller is factory pre-wired. Please skip Steps 1 and 2 below as they have all ready been completed at the factory.

1. Route the Flow Cell switch wires into the IntelliChem controller enclosure through the strain relief and connect the wires to **J6 Sensor terminal connector** on the IntelliChem controller circuit board. **Connect the BLACK wire to the GND screw terminal and the RED wire to the FLOW screw terminal.**
2. Route the pH and ORP sensor wires into the IntelliChem controller enclosure through the strain relief and connect to J6 Sensor terminal connector on the IntelliChem controller circuit board. The sensor wires are labeled. PLUS AND MINUS POLARITY MUST BE OBSERVED.

pH sensor wire: Connect the GREEN to the pH - screw terminal and the CLEAR wire to the pH + screw terminal.

ORP sensor wire: Connect the GREEN to the ORP - screw terminal and the CLEAR wire to the ORP + screw terminal.

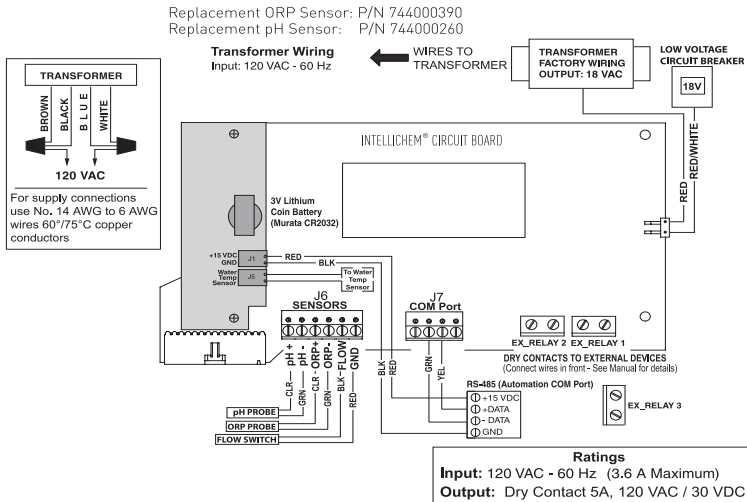


Figure 2: Commercial IntelliChem Controller J6/J7 Circuit Board

3. Turn the main pump on and open the valves to test for leaks and the free movement of magnet. Magnet must be all the way up in order to close the flow switch. 1/4 GPM will push the magnet all the way up.

WARNING Make sure that all pumps are off before drilling into any pipe.

WARNING Never turn chemical feed pumps on when either flow cell valve is closed.

Help Guide

Sequence	Access	Action
Meter Test	Menu/Configuration/Diagnostics Run Meter Test	Use this test to verify that the pH and ORP sensing circuitry and meters are operating properly. The test first shows diagnostic uncalibrated values for test circuit H, then test circuit L. It then runs the Auto Calibration and shows two values for each. If the bottom line shows *** PASS *** the meter and sensing circuitry is good. If the test fails, these values can be used at the factory to determine which part of the circuit is faulty.
Probe Test	Menu/Configuration/Diagnostics Run Meter Test	This is a 30 second test that evaluates the inputs to the pH and ORP meters. The results are used to determine if the probes are functioning. It will accurately detect if a probe is disconnected or has broken or shorted wires. It will not be able to assess if the probes are dirty, old, cracked, etc; so it is not necessarily an indication that the probes may not have other problems. If problems persist, replace the probe with a new or known-good probe.
Clear Tweaks	Menu/pH Menu/pH Tweak Menu/ORP Menu/ORP Tweak	Set tweak: to 0. Often problems with a pool are the result of "miscalibrated" probes. This screen shows the user's offset and the final reading. Under ideal circumstances the meter should read the water correctly without any tweak adjustment.
Clean Probes	At flow cell	See cleaning instructions. See page 52 -53
Check Dosers	pH Settings button/Override ORP Settings button/Override	Select [Dose] to turn on the appropriated doser. The doser selection is specified in the Configuration/ Hardware/pH Control and /ORP Control menus. Verify the pump is rotating properly and tubing is installed correctly. Check proper direction of flow. Pumps are labeled with IN and OUT and turn clockwise. One outlet is toward the front of the IntelliChem, the other is toward the wall. Verify pickup tube is all the way to the bottom of the container. Once verified, let the pumps run for a while to prime the tubing using the Dose Override feature. WARNING! Use extreme caution when handling pool chemicals. Verify the tubing is not clogged, kinked or punctured.
Chemicals	Supplies for the doser pump Set levels in pH/ORP Settings button or in the pH/ORP Supplies Menu.	Verify chemicals are fresh and of the proper concentration. Muriatic acid and Chlorine degrades within a matter of months or less depending on sunlight and temperature. Be sure the supply containers contain sufficient amounts of chemical. Set the Supplies level to correspond to the level in the tank. Once the indicator gets to the "0" level, the alarm will be set
Sat Index	Main menu, Sat Index	The Langelier Saturation Index is an indication of the overall water condition. Its calculation is based on water temperature, pH, salt, calcium hardness, and total alkalinity (to which cyanuric acid has a contributing factor). The results of this calculation are used to determine if the water is corrosive or scaling. Balanced water allows the pool chemicals to function properly and affects the ability of the sanitizer to do its job. If you're having problems with maintaining water clarity or sanitizer, check this or have a water sample professionally analyzed.
Balance Water		Balance water is the result of proper chemical treatment and care of the filtration
Replace Probes		If the probes have been cleaned and all other aspects of the pool operating properly. Try a new set of probes.
Repeat		After performing all these steps it may prove helpful to repeat all these steps

Alarm Messages and Troubleshooting Tips

The IntelliChem® Controller is continually monitoring its own condition and that of the water chemistry. The following is a list of alarms and most likely causes. This should give you a good starting place for troubleshooting and resolving the alarm.

IntelliChem Message**	EasyTouch/IntelliTouch, Screen Logic	Troubleshooting Tips
SI Scaling / SI Corrosive	SI Scaling SI Corrosive	Water conditions indicate water has exceeded the threshold level. Refer to Langelier Saturation Index water balance information and the user settings in the Configuration/Preferences 2/2 page
UOC Comm Err	Comlink Lost Communication Lost	Connection between IntelliChem and the automation controller. Check RS-485 4-wire connection, terminals, and cables.
Auto Calibration ...Failed	Auto Cal Failed Calibration Failed	Check that the printed circuit board is clean and dry. Dirt, condensation or water leaking into the enclosure will cause faulty readings.
Invalid EE CRC or Rev#	Memory Error	Turn unit off and on again. If problem persists reload firmware or replace circuit board.
SCG Comm Err	Salt Chlorine Generator Comm Error Salt Chlorine Generator Communication Error	The SCG device may not communicate if the water is too cold, not circulating, salt level is too low. It may also take from 2 to 10 minutes or more to begin communication. Sometimes this can be solved by cycling power to the SCG unit and waiting again. Check cable wires and terminals for proper connection.
pH/ORP Invalid Setup	Invalid Setting Invalid Hardware Config	This indicates incompatible settings in the pH setup. Check that the hardware configuration on pH Control page 1/2 and 2/2 correspond properly. That if you specify an internal pump, you've chosen one of the MTR_L/R devices, and if you've chosen an External doser, you've selected an external relay. Be sure you're not using the same output device for both pH and ORP or an alarm output. Check dosage, and supply settings. Check that if you are dosing by volume that you have provided the GPD of the doser. If you are unable to resolve the problem, re-run the Auto Setup Wizard. When it prompts to use previous values be sure to choose Reset All .
pH/ORP Dose Limit	pH Dosage Limit ORP Dosage Limit pH Feed at Limit ORP Feed at Limit	This alarm will be the normal course of water chemistry control when experiencing a heavier than expected bather load, high temperature, or improperly balanced water. First check the saturation index and balance the water chemistry. Increase the dosage and filter time, increase the daily limit. During peak loads it may be easiest to administer chemicals by hand. The Limit can be manually cleared in the pH/ORP Settings menu, accessed by the appropriate button to the left side of the LCD display. It can also be programmed to clear automatically each time the IntelliChem powers on, or at every 24 hours of continuous run time in the pH/ORP Dosage 2/2 menu.
pH >7.8 Lockout	pH Lock Out Sanitizer Feed Locked	This is a safety feature that prevents over feeding sanitizer if the pH gets too high. As pH increases, the sanitizer becomes less effective. The proper thing to do is first reduce the pH and then see if you really need to add more sanitizer. Often bringing down the pH is sufficient to free more sanitizer.

** Displayed in various places on the main screen

Troubleshooting the alarm messages

Flashing pH/ORP tank/hourglass symbol	Check pH Tank Check ORP Tank	Refill the chemical supply container and set the gauge to the appropriate corresponding level. This alarm indicates level is low and should be refilled. If non-fluid supply sources are used, like CO2 and SCG, you can set a reminder in the pH/ORP Supplies 2/2 menu that will trigger this alarm as a reminder to change CO2 canisters or clean the SCG plates. The reminder is reset either in the Supplies 2/2 menu or the pH/ORP Settings button.
ORP LOW	ORP Is Too Low ORP Reading Too Low	Increase filter time and increase dose size. This may be the result of the ORP Sensitivity setting. If the sensitivity is set to "Low", you may not have a sufficiently sized dose to reach the setpoint. Try turning Sensitivity to "High" or "Off". Check overall water chemistry using the Saturation Index calculator or have water tested by a professional pool service person or dealer. Also, check that the dose dispensing device is operating properly and that your supply tank is full.
ORP HIGH	ORP Is To High ORP Reading Too High	Overshooting ORP may simply be a result of Cyanuric acid in the pool which suppresses the ORP during the sunlight hours and releases chlorine at night. It may also be that dose size is set too high with insufficient mix time. Turning ORP Sensitivity to "Low" may help reduce overshooting.
pH LOW	PH Is Too Low pH Reading Too Low	Overshooting pH may be due to the dose size being set too high with insufficient mix time. Turning pH Sensitivity to "Low" may help reduce overshooting. Test overall water chemistry using the Saturation Index calculator. Low Total Alkalinity may contribute to rapid pH swings and make controlling water nearly impossible. Consult your pool professional. Check overall water chemistry using the Saturation Index calculator or have water tested by a professional pool service person or dealer. Also, check that the dose dispensing device is operating properly and that your supply tank is full.
pH HIGH	PH Is Too High pH Reading Too High	Increase filter time and increase dose size. This may be the result of the pH Sensitivity setting. If the sensitivity is set to "Low", you may not have a sufficiently sized dose to reach the setpoint. Try turning Sensitivity to "High" or "Off".
NO FLOW DETECTED Check pump, flow cell, filter, and valves.	No Flow	Ensure the pool pump is turned on, that valves are properly positioned, and that sufficient water is being directed to the flow cell. Make sure the magnet is properly contained in the flow tube and that the detector is wired properly to the Flow switch terminal block. The flow switch should be closed (shorted) to indicate flow. Warning: This is a Safety Device. Do not operate the IntelliChem with the flow switch bypassed. Water flow must be present to ensure chemicals are mixed adequately to avoid dangerous gasses and high concentrations of chemicals near people or pool equipment.
Awaiting FLOW DELAY	Flow Delay	This is not an alarm, only a message indicating that water chemistry control will commence after this count-down timer expires. To allow pool water to stabilize and time for chemicals to activate, a minimum of 15 minutes is required to get accurate readings. The Flow Delay is set in the Configuration/Delays menu. It is the combination of the Power-On and Flow-Switch delay settings. As a convenience for the pool service person, you may bypass the delay by holding the Up Arrow button for 3 seconds. Please give time for the water to stabilize before expecting proper operation of the equipment.
pH has priority	PH Priority	This is not an alarm but a message that pH is feeding (acid) and that ORP (chlorine) is on hold until the acid feed is finished. This is enabled in the Configuration/Dose Priority menu on systems where the acid and chlorine may be injecting near the same point in the plumbing and the installer has decided, for safety reasons, to only feed one chemical at a time.

** Displayed in various places on the main screen

Cross Reference

IntelliChem Alarm Name	IntelliChem Message**	EasyTouch/IntelliTouch Message	Screen Logic Message
Scaling	+ .53 Scaling	SI Scaling	SI Scaling
Corrosive	-.41 Corrosive	SI Corrosive	SI Corrosive
UOC Comm Error	UOC Comm Err	Comlink Lost	Communication Lost
Calibration Failed	Auto Calib...Failed	Auto Cal Failed	Calibration Failed
Memory Error	Invalid EE CRC or Rev#	Memory Error	Memory Errors
SCG Comm Error	SCG Comm Err	IChlr Comm Error	IntelliChlor Communication Error
Invalid Setup	pH/ORP Invalid Setup	Invalid Setting	Invalid Hardware Config
ORP Dose Limit	ORP Dose Limit	ORP Dosage Limit	ORP Feed at Limit
PH Dose Limit	pH Dose Limit	PH Dosage Limit	pH Feed at Limit
PH Lockout	pH>7.8 Lockout	PH Lock Out	Sanitizer Feed Locked
ORP Chemical Empty	Flashing ORP tank symbol	Check ORP Tank	Check ORP Tank
PH Chemical Empty	Flashing pH Tank symbol	Check PH Tank	Check pH Tank
ORP Low alarm	ORP LOW	ORP Is Too Low	ORP Reading Too Low
ORP High alarm	ORP HIGH	ORP Is Too High	ORP Reading Too High
PH Low alarm	pH LOW	PH is Too Low	pH Reading Too Low
PH High alarm	pH HIGH	PH is Too High	pH Reading Too High
No Flow Alarm	No Flow Detected...	No Flow	No Flow
Status "alarm" conditions	Awaiting FLOW DELAY	Flow Delay	Flow Delay
	pH has priority	PH Priority	PH Priority

** Displayed in various places on the main screen

Tweaking pH (Calibrating Sensor)

Measure the pH using a standard test kit by taking several readings and averaging the results. To Tweak the pH sensor see page 20.

Tweaking ORP (Calibrating Sensor)



WARNING

Always make sure the pH is at the set point before calibrating ORP. Always control at PPM levels greater than 1.0 PPM when using ORP sensors.

IMPORTANT: For best results the ORP should be at the ORP set point when calibrating. For best results the PPM should be at the desired level when calibrating ORP. To Tweak the ORP sensor see page 23.

Commercial IntelliChem Controller Specifications

RATINGS:

Input Voltage:	120 VAC / 60 Hz - 3.6 A maximum
Relay Rating:	Dry Contact 5 A, 120 VAC / 30 VDC
Temperature:	Min./Max. Operating Temperature 30° - 110° F
Sensor Range:	pH 4.0 - 9.99 - ORP 0 - 900mV Flow Open or Closed

MAINTENANCE

Winterizing: The Flow Cell sensors must be protected from freezing conditions. If the pool is winterized, plan to remove and store the sensors (as described above) as part of the normal pool winterizing process. The Flow Cell and related plumbing must be drained as well.

Water Chemistry

Always test water chemistry with a quality manual test kit. Therefore, it may be preferable to calibrate pH using commercially available reference solutions. If required, use the IntelliChem Tweak pH feature to periodically adjust the pH reading (see above and page 20, and 23). It's important to note that changes in pH, cyanuric acid concentration, total dissolved solids, and use of additional or alternative sanitizers will all affect the primary sanitizer residual level relative to ORP. Maintain total alkalinity on regular basis to ensure pH stability. To maintain a consistent sanitizer residual in parts per million (ppm), periodically adjust the ORP level.

Sensor Maintenance: The Flow Cell sensors must be clean and free from oil, chemical deposits and contamination to function properly. After saturation in pool or spa water, the sensors may need to be cleaned on a weekly or monthly basis depending on bather load and other pool specific characteristics. Slow response, increased need to calibrate pH, and inconsistent readings are indications that the probes are in need of cleaning.

MAINTENANCE (Continued)

Cleaning the Flow Cell Sensors: To clean the ORP and pH sensors, turn off the AC source power to IntelliChem at the GFCI switch. Disconnect the probe connectors from the Flow Cell, unscrew the probe and carefully remove them from the Flow Cell. Clean the reference junction (the white ring at the bottom of the probe body) with a soft toothbrush. A household liquid dish washing detergent may also be used to remove any oil. Rinse with fresh water and reinstall probes. If properly cleaned probes continue to provide unstable readings or require excessive calibration, the probes should be replaced. Probe exposed to atmospheric conditions will cause the probe tips to dry out. Store the sensors with the included plastic sensors storage caps if removed from the Flow Cell for more than one hour. If the storage caps have been misplaced, store the probes individually in small glass or plastic containers with clean water covering the sensor tips. Store sensors in a location that will not be subjected to freezing temperatures.

Sensor Care

Contamination of the sensing elements often results in slow response and inaccurate readings. Clean the elements by the following procedures:

pH and ORP Sensors

1. Wash electrode tip in a liquid detergent and water. Carefully use a soft bristled toothbrush to wash the electrode tip and white sensing ring.
2. Rinse after cleaning. To reinstall the flow cell (see page 33). Hand tighten to sensors to secure in place.
3. Make sure the O-ring is installed on sensor.
4. If the cable is longer than needed, it should be coiled neatly and attached under the enclosure.

pH Sensors Only

5. Attempt to clean the sensor with liquid detergent first.
6. If this is not successful, swirl the tip of the sensor in a 5 parts water and 1 part muriatic acid solution for 10 - 20 seconds.
7. Rinse again and reinstall.

WARNING! Do not rub hard the glass element in the sensor or use sand paper or other polishing material to clean. HANDLE ELECTRODE CAREFULLY Sensors contain external and internal glass elements. Do not drop or otherwise subject the sensor to vibration, physical impact, or freezing conditions. ANY TYPE OF BREAKAGE IS NOT COVERED UNDER WARRANTY.

pH and ORP Sensors: pH electrodes sense the acidity of the water and work with any acid or base. The blue bands on the cables identify the pH sensors. The red bands on the cables identify ORP sensors. Each sensor is also identified on the sensor body. ORP electrodes are used to monitor the Oxidation Reduction Potential (ORP is sanitization quality of the water) of a given solution. The sensing element of the ORP electrode is made of a precious metal such as platinum or gold.

Sensors: IntelliChem measures the following sensor measurements with the listed characteristics:

pH Range: 4.00 to 9.99

ORP Range: 0 to 900 mV

Flow Switch: This input measures if a switch is open or closed. Open is no water flow. A closed switch indicates flow.

Stenner Pump Head Maintenance



WARNING Disconnect AC power to IntelliChem® Controller enclosure at the circuit breaker before servicing. Failure to do so could result in death or serious injury to serviceman, pool users or others due to electrical shock.

Stenner Pump Head should be inspected every 30 days for signs of damage (Yellowing or cracking).

Annual replacement of the Stenner Pump Head tubing is highly recommended.

Refer to the Stenner Installation and Maintenance Manual for the Pump Tube Replacement procedure and other pump maintenance.

IntelliChem® Controller Flow Cell Replacement Parts List

1. P/N 522186 - Sensor, pH (* 1 year warranty)
2. P/N 522187 - Sensor, ORP (* 1 year warranty)
3. P/N 754000310 - Flow Cell with Flow Switch Sensors
4. P/N 521342Z - IntelliChem Controller Parts Bag (not shown)
5. P/N 754000440 - Flow Switch Sensor with Magnet
P/N 754000410 - Magnet for Flow Switch
6. P/N 744000290 - Cable, pH 3 ft
7. P/N 744000360 - Cable, ORP 3 ft
8. P/N 754000340 - O-Ring for Flow Jar
9. P/N 754000350 - Flow Jar

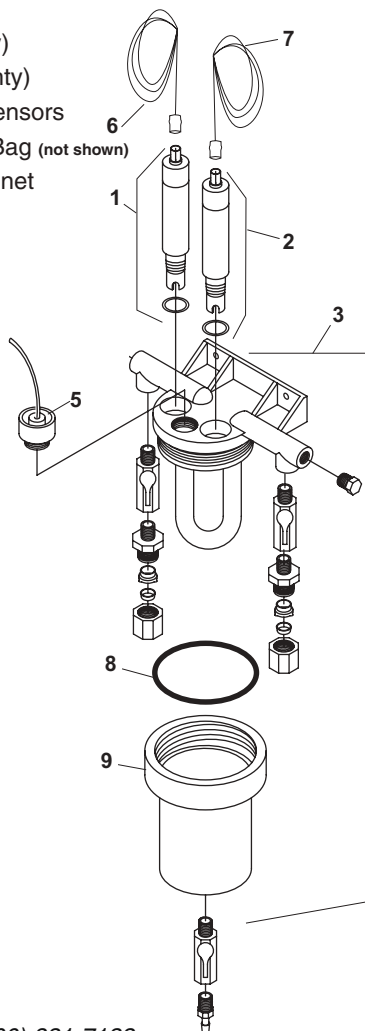
Accessories:

P/N 521814 - 3/8" Black Tubing (optional)

* Warranty Information

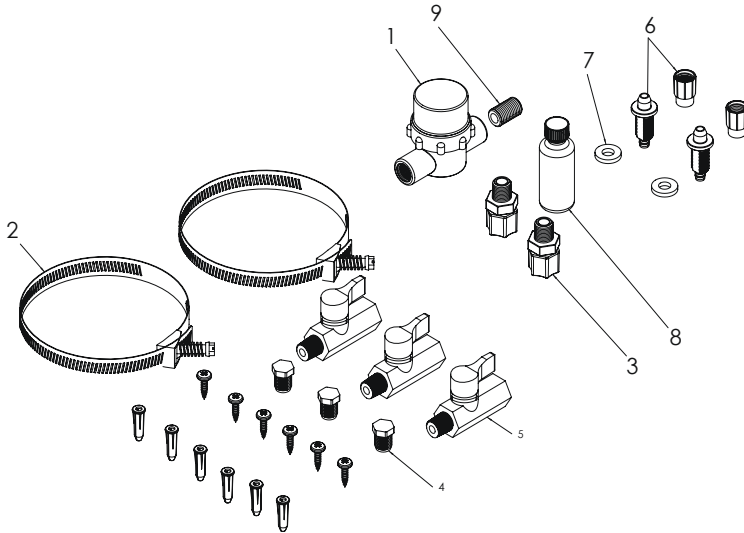
The IntelliChem Controller pH Sensor and ORP Sensor each have a one year limited warranty.

The IntelliChem Controller pump head, pH Sensor and ORP Sensor are considered wear items and are covered by their own warranty periods and are not part of any extended warranty coverage.



For more information contact Customer Support (800) 831-7133

IntelliChem® Controller Kit Contents



Item	QTY.	Part Number	Description
1	1	522010Z	FILTER INLINE STRAINER 1/4" FEMALE NPT
2	2	522347Z	CLAMP SADDLE ICHEM BYPAS
3	1	606000100Z	FTG 3/8" COMPRESSION X 1/4" NPT
4	1	620000040Z	FTG 1/4" NPT NYLON PLUG
5	3	622000080Z	1/4" NPT M/F BALL VALVE
6	2	R172032	TUBE FITTING WITH NUT
7	2	R172033	GASKET, .75 OD
8	1	R172036	LUBRICANT, SILICONE, 3/4OZ
9	1	62000130Z	.25 NPT 7/8 CLOSE NIPL SC H80

Commercial IntelliChem® Controller Additional Replacement Parts List

P/N 523492	Stenner 50 GPD External Pump
P/N 523493	Stenner 50 Pump Tube - 2 Pack
P/N 523494	Stenner 50 Pump Tube - 5 Pack
P/N 522384	20 ft - 1/4 in Black Tubing for Chemical Injection with Labels
P/N 522446	100 ft - 1/4 in Black Tubing for Chemical Injection with Labels
P/N 714000070	CO2 Kit with Diffuser, Solenoid, Regulator
P/N 521622	IntelliChem Winterizing Kit
P/N 521498	IntelliChem Flash Programing Kit
P/N 522895	Injection Kit (Injection Check Valve)
P/N 521511	Saddle Clamp for 1-1/2-in Pipe (Required Check Valve)
P/N 521512	Saddle Clamp for 2-in Pipe (Required Check Valve)

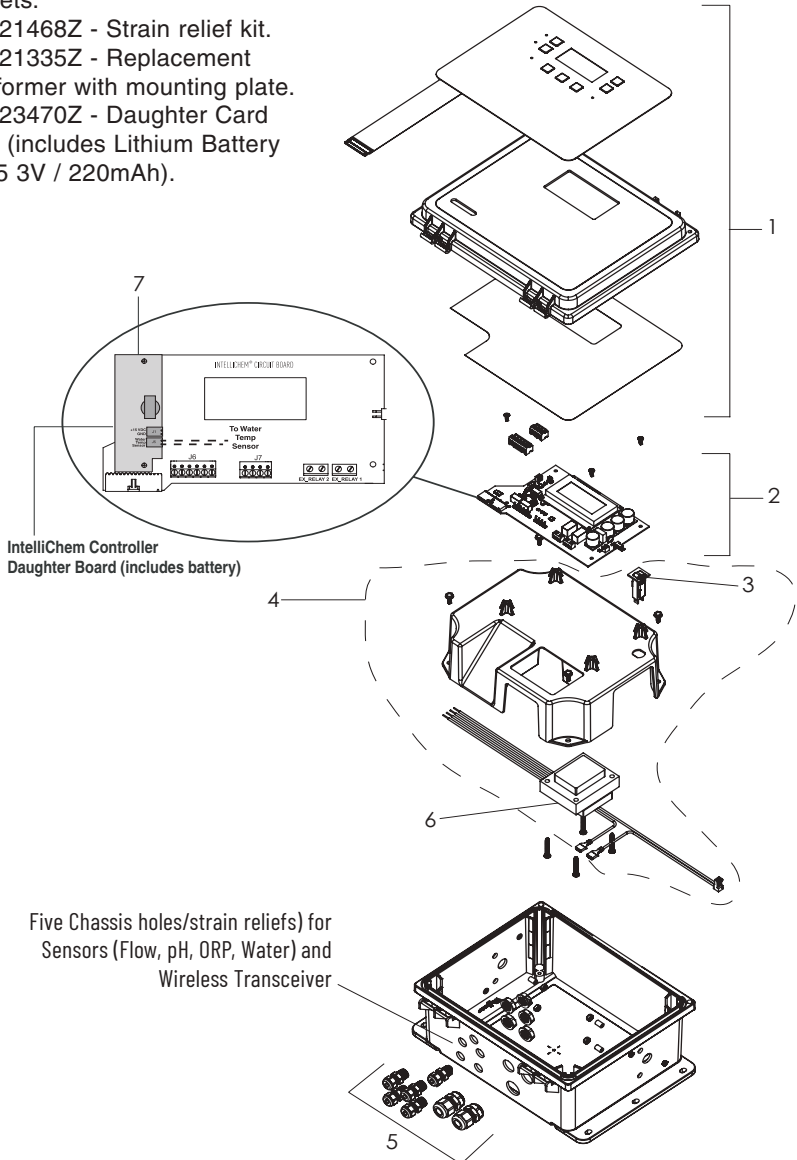
IntelliChem® Controller Replacement Parts List

1. P/N 523146 - Top Half (Lid with overlay and wiring diagram).
2. P/N 521319Z - IntelliChem Controller Circuit Board.
3. P/N 8520031Z - Circuit Breaker.
4. P/N 521467Z - Enclosure mounting brackets.
5. P/N 521468Z - Strain relief kit.
6. P/N 521335Z - Replacement transformer with mounting plate.
7. P/N 523470Z - Daughter Card PCBA (includes Lithium Battery / Mn05 3V / 220mAh).

Warranty Information

The IntelliChem Controller has a one year limited warranty.

For more information contact Customer Support (800) 831-7133



Wireless Transceiver Replacement Parts List

1. P/N 523117 Transceiver Enclosure Replacement for Commercial IntelliChem Controller.



523117

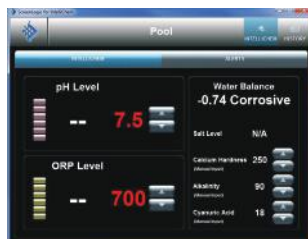
Connecting Remotely to the Commercial IntelliChem® Controller

Note: The Commercial IntelliChem requires using “**ScreenLogic Connect for Commercial IntelliChem**” app available for Windows and iOS only. The standard “ScreenLogic Connect” will not work with commercial. Using this utility you can control your pool and spa operations remotely from your laptop computer over the Internet or from your local networked computer in your house. You can download the remote connection utility from www.pentair.com.

IMPORTANT! The IntelliChem Controller Auto Setup Wizard must run before connecting to the ScreenLogic2 Interface software

To connect remotely to your system:

1. After installing the “ScreenLogic Connect” for IntelliChem utility, click the “ScreenLogic for IntelliChem” icon on your desktop to start the program.
2. Enter your the ScreenLogic2® Interface system name in the “System Name” box. The name must be entered as follows: Pentair: xx-xx-xx
The Protocol Adapter Address (xx-xx-xx) is the last six digits of the Protocol Adapter serial number found on the Protocol Adapter.
3. In the “Password” box, enter the system password that you assigned in the “Set Remote Access Password” dialog in the “General Settings (step 1 of 5)” dialog box, or leave the box blank if no password has been assigned.
4. Click the “Remember Login info” check box to save your system name and password so that you don’t have to enter the information each time you want to connect.
5. Click the “Start ScreenLogic” button to connect to your system and start the ScreenLogic2 Interface. Click the “Options” button, then click the “Configure ScreenLogic” button if you want to configure your system using the “Configurator” utility.



To connect to your system via your local network:

1. Enter your the ScreenLogic2 Interface system name in the “System Name” box. The name must be entered as follows: Pentair: xx-xx-xx
The Protocol Adapter Address (xx-xx-xx) is the last six digits of the Protocol Adapter serial number found on the Protocol Adapter.
2. Click the “Options” button. The ScreenLogic2 Interface Connect program will recognize and automatically populate the system name in the “Local Systems” box.
3. Click the “Remember Login info” check box to save your system name and password so that you don’t have to enter the information each time you want to connect.
4. Click the “Start ScreenLogic” button to connect to your system and start the ScreenLogic2 Interface. Click the “Configure ScreenLogic” button if you want to configure your system via the “Configurator” utility.

ScreenLogic2 Wireless Connection Kit

The ScreenLogic2 Wireless Connection kit (P/N 520639) consists of two wireless 900 Mhz transceivers which provides a wireless connection between the ScreenLogic2 Protocol adapter and the IntelliChem Controller. This wireless connection eliminates the existing hard wire connection from inside your home to the equipment pad.

The diagram below shows the wireless transceiver locations. The transceiver connected to the IntelliChem is connected to the other transceiver is connected to the Protocol Adapter located inside the home.

ScreenLogic2 Location Requirements

The ScreenLogic2 Protocol adapter must be located inside in a dry environment, preferably near the home owner's DSL/Cable modem.

To ensure optimum wireless connection, placement of the existing wireless router inside the home is important. Ideally, the wireless router should be positioned in the room nearest to the pool and spa location or close to where the wireless Tablet, iPad, iPod or iPhone will be primarily used.

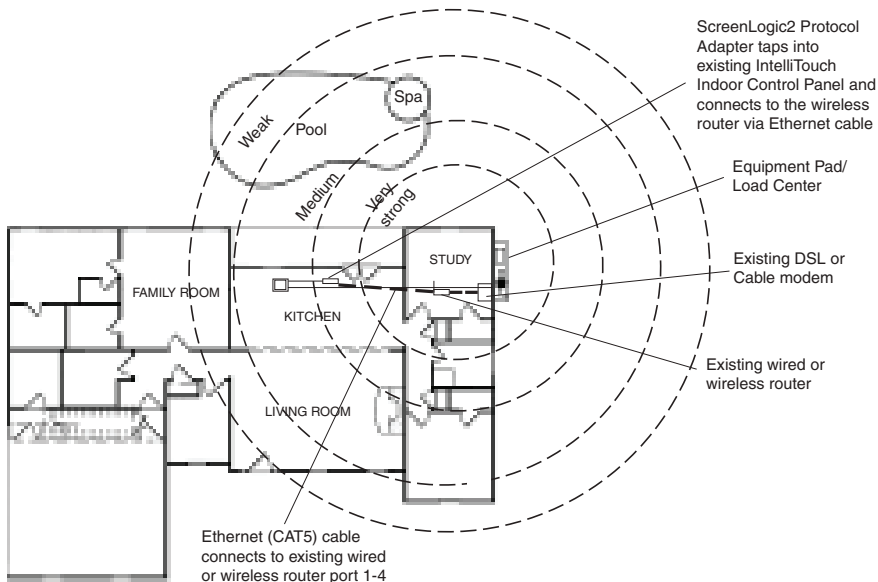
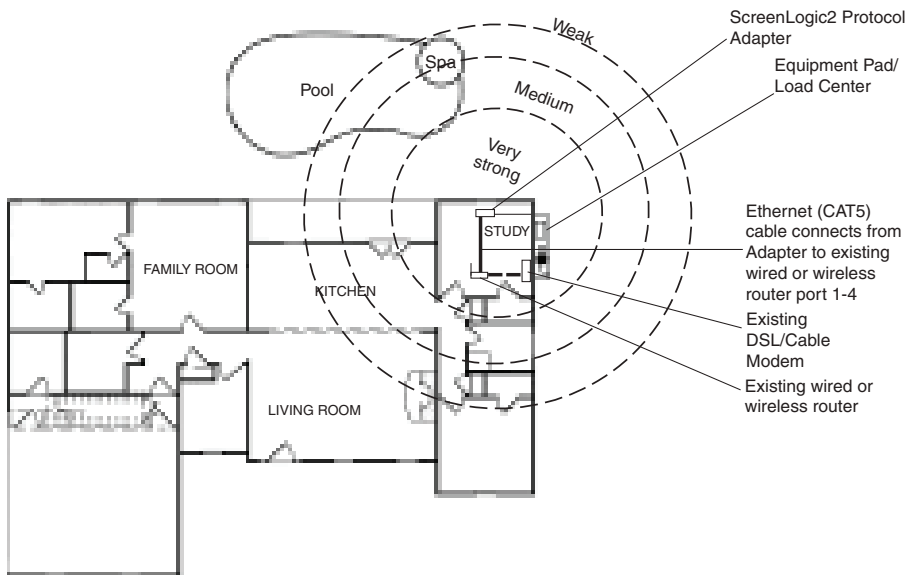
Less walls and ceilings equals better wireless reception

Your existing wireless router allows the Digital Tablet, iPad, iPod, iPhone or a wireless laptop to access the ScreenLogic2 interface from anywhere in and around your home up to approximately 150 feet from the wireless router. However, keep in mind that range is limited by the number of walls, ceilings, or other objects that the wireless signals must pass through. Typical ranges vary depending on the types of materials and background RF noise in your home. The following information can help maximize the wireless transmission and reception range:

1. Keep the number of walls and ceilings between the wireless router and the Tablet, iPad, iPod or iPhone to a minimum - Each wall or ceiling can rob your wireless router of 3-90 ft. of range. Position your wireless router so that the number of walls or ceilings are minimized.=
2. Consider the direct line between your wireless router and Tablet, iPad, iPod or iPhone area of operation. A wall that is 1.5 feet thick, at a 45 degree angle, appears to be almost 3 feet thick to the wireless signal. At a two-degree angle it looks over 42 feet thick! Try to make sure that the wireless router is positioned so that the signal travels straight through a wall or ceiling for better reception.
3. Building materials make a difference - A solid metal door or aluminum studs may have a negative effect on range. Try to position the wireless router so that the signal passes through drywall or open doorways and not other materials.
4. Keep your wireless router away (at least 3-6 feet) from electrical devices that generate RF noise like microwaves, monitors, electric motors, UPS units, etc.
5. If you are using 2.4 GHz cordless phones or X-10 (wireless products such as ceiling fans, lights, and home security systems), your wireless connection might degrade dramatically or drop completely. Anything using the 2.4 GHz frequency could interfere with your wireless network.
6. For the average sized home, range should not be a problem. If you experience low or no signal strength in areas of your home that you wish to access, consider repositioning the wireless router.

IMPORTANT NOTE ABOUT MULTIPLE WIRELESS CONTROLLERS IF YOU ARE USING MULTIPLE WIRELESS CONTROLLER SUCH AS:

MobileTouch® or EasyTouch Control System Wireless Remote, or iS4 QuickTouch® Wireless Controller; be sure the Transceivers for each of these controllers are located at least 6 ft. apart from each other. This will avoid digital interference and ensure better wireless reception.



ScreenLogic® Interface Connection Troubleshooting Hints

Use the following check list if “Connecting to Pool Controller ...Please Wait...” message is displayed.



1. If the IntelliChem Controller Auto Setup Wizard is waiting for your initial input, you must select a valid configuration. As soon as you enter the Auto Setup Wizard selection pages, SL2 should display the main screen shown below. There will be no readings until the configuration has been set and water flow has been established.
2. If the IntelliChem Controller sees any Keep Alive packets from automation once it starts up, you must disconnect from the automation network and reboot the IntelliChem controller.

So if you inadvertently hook up to an automation system with an UIC/UOC even for a second, Ichem will switch into slave mode and stop sending the KA. You could look at the R# code in the upper right corner of the Config/Diagnostics/Status Codes page; if the R# is other than 0, then it is in slave mode.

Be sure the RS485 wiring is not routed to an UOC/UIC and power cycle IntelliChem.

3. The 4-wire comm cable must only be wired directly to the IntelliChem Controller and MUST also be supplied DC power from a separate adapter (Check for power LED on Protocol Adapter).
4. The IntelliChem Controller must be running version 2.008 or greater.
5. Must be using ScreenLogic2 Interface for IntelliChem Controller version 107 or greater

Normal Operation

The following screens show normal operations showing the pool water reading and the Historical Data screen as shown below.



The data should begin to accumulate in the history page as new data becomes available. This data is stored on the Protocol Adapter in the HISTORY.DAT file. This file is cleared when the file system is reformatted and the new version Pentairupdate is installed. New data is only recorded when readings change by a certain amount or when events like a dose starting or ending are sensed. Data is also stored periodically throughout the day even if no changes are detected.

Demo / Test Mode

If you don't have pH and ORP probes hooked up, IntelliChem can be put into demo mode by pressing and holding the UP or DOWN arrows on power up for a few seconds. You will see a display indicating Resistor Test Mode has been engaged and then the display will proceed to the calibration and regular display.

Resistor Mode	Test - Engaged
pH=6.35	ORP=738

Pressing the UP button will result in readings approximately
pH=6.35, ORP= 738

Pressing the DOWN button will result in readings approximately
pH=7.65, ORP=398

Note: You still have to satisfy the flow switch before readings are shown on the main display.

TITLE 22 - ScreenLogic Interface: The automation system (ScreenLogic) receives the cPPM value to be monitored remotely. The IntelliChem receives the PPM value and whether or not to display it in ScreenLogic.

APPENDIX A: Title 22 - Recording Historical Log

Title 22 of California's Water Recycling Criteria refers to California state guidelines for how treated and recycled water is discharged and used. The standards require the state's Department of Health Services enforce water and bacteriological treatment standards for pool/spa water in commercial pools.

The Commercial IntelliChem Chemical Controller meets Title-22 requirements to record of historical log of sensor data including the water temperature. **See page 18 and 35.**

APPENDIX B: Title 22 - Upgrade Kit (P/N 523470Z)

The following Title 22 upgrade instructions describe how to install the Daughter Card (see page 68) and the Water Temperature sensor (See page 69).

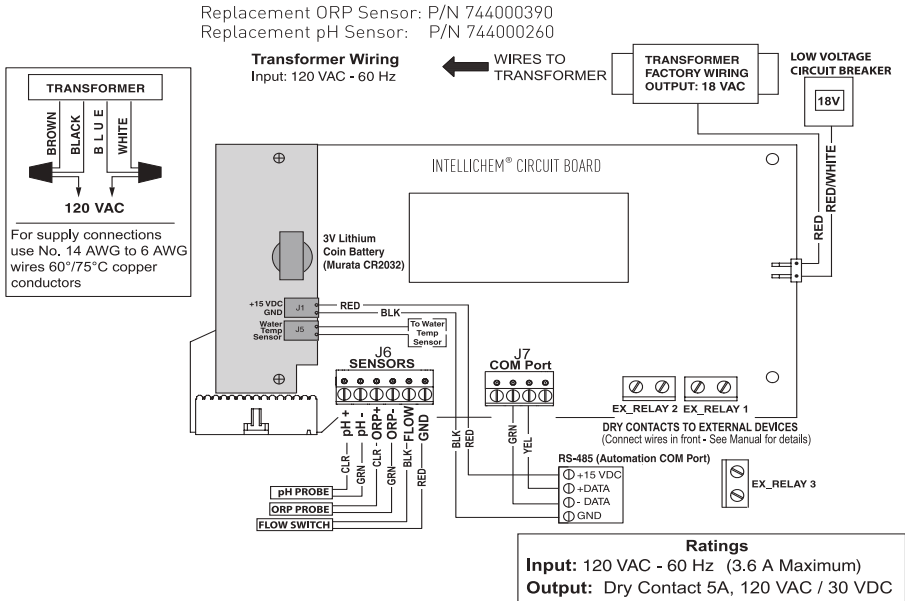
Note: The Title 22 upgrade kit (P/N 523470Z) requires IntelliChem Controller Firmware version 1.080.

Firmware revision v1.080 requires installation of the Pentair Title-22 Daughter Card (PCBA #523470) which includes the following features:

- Real-time clock/calendar (RTC)
- Water temperature sensor for use with a 10kΩ thermistor (820041000A)

Kit Contents P/N 523537Z

- PCBA Daughter Card - P/N 523470
- Water Sensor with fitting 10' ecolab – P/N 820041000
- Strain Relief 1/4" npt heyco m4514 – P/N 521339
- Screw #6x3/4 ph phl ss plastite - P/N 523142
- IntelliChem User's Guide (this manual)

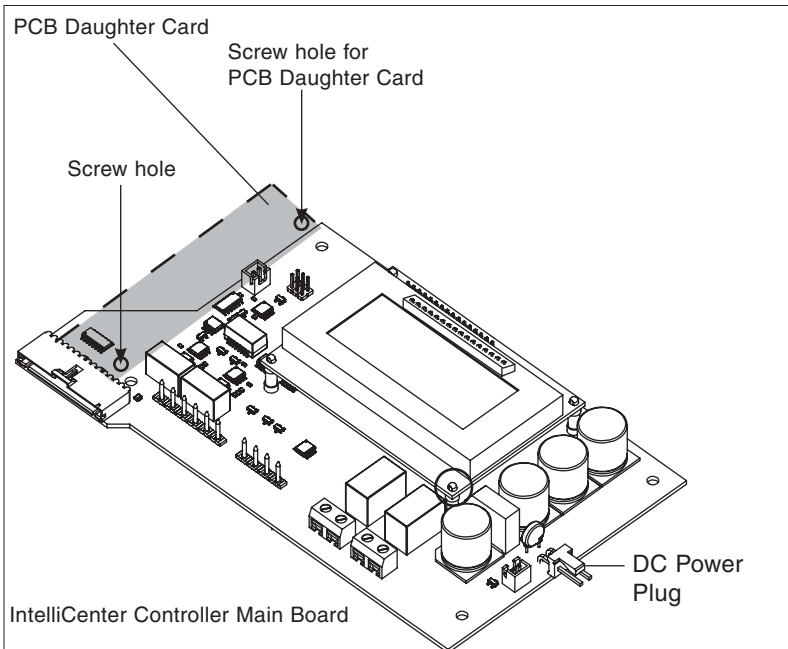


IntelliChem® Controller Wiring Diagram

Installing the IntelliChem Controller Daughter Card

Install the PCB Daughter Card as follows:

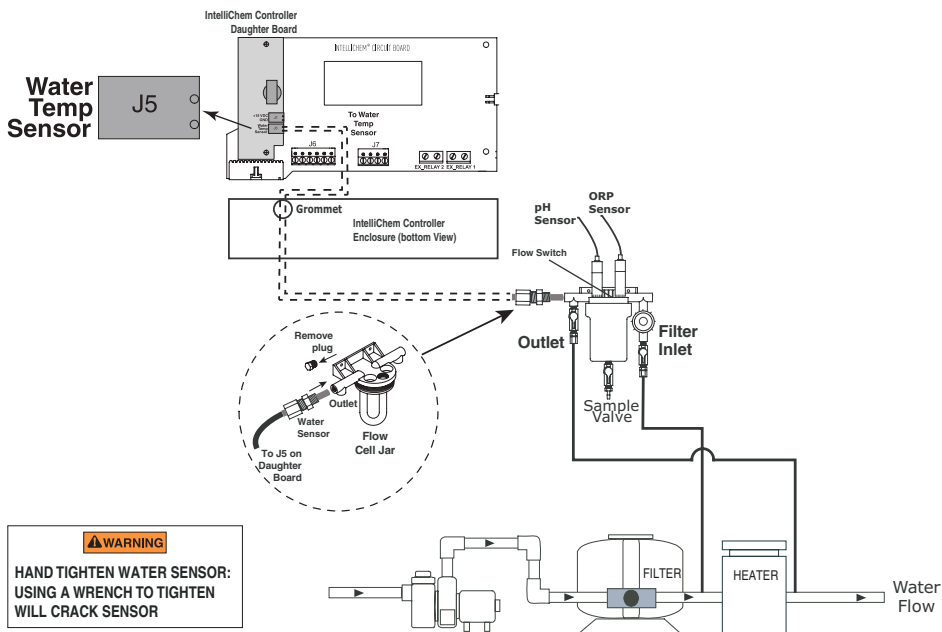
1. **TURN OFF POWER TO ALL POOL AND SPA EQUIPMENT BEFORE STARTING.**
CAUTION! DO NOT PLUG IN OR UNPLUG ANY SYSTEM COMPONENTS WITH THE POWER ON. THIS MAY DAMAGE THE SYSTEM COMPONENTS.
2. Disconnect the DC Power Plug from the main Controller board.
3. Unlatch the Controller front door latch and open the door.
4. Remove the two screws securing the IntelliChem Controller main board, as shown below.
5. Remove the PCB Daughter Card from the package.
6. Locate the male pins on the back of the PCB Daughter Card.
7. Align PCB pins with the pin socket on the main PCB. As shown below. Note: Use the screw holes to align the PCB pins.
8. Once the PCB Daughter Card is in place, secure the board with the two screws supplied in the kit.
9. Reconnect the DC Power Plug on the main Controller board.



Installing / Wiring the Water Temperature Sensor

Install the Water Temperature Sensor as follows:

- TURN OFF POWER TO ALL POOL AND SPA EQUIPMENT BEFORE STARTING.**
CAUTION! DO NOT PLUG IN OR UNPLUG ANY SYSTEM COMPONENTS WITH THE POWER ON. THIS MAY DAMAGE THE SYSTEM COMPONENTS.
- Disconnect the DC Power Plug from the main Controller board.
- The Water Sensor wires are 10 ft long. Be sure the IntelliChem Controller enclosure is within 10 feet of the Flow Cell Jar.
- Remove the plug from the Flow Cell Jar located on the Filter Inlet port side of the jar.
- Carefully insert the sensor prong into the OUTLET (shown) or INLET port. Screw on the sensor fitting into the port. **HAND TIGHTEN ONLY DO NOT OVER TIGHTEN.**
- Route the temperature sensor wires through the same bottom grommet used by the RS-485 wires from the wireless device.
- Insert the Black and Red wires into J5 connector on the IntelliChem Daughter board. Note: There is no polarity for the wires.
- Power up the system and check for water leaks. Water leaks will cause damage to other components! Check the Water Sensor is firmly secure onto the fitting and that water does not leak out of the fitting. Extreme pressure variances may affect readings and can cause damage to the sensors.
- Reconnect the DC Power Plug on the main Controller board.
- Close and latch the door of the IntelliChem Controller.



IntelliChem® Controller Water Sensor Installation



1620 HAWKINS AVE., SANFORD, NC 27330 • (919) 566-8000
10951 WEST LOS ANGELES AVE., MOORPARK, CA 93021 • (805) 553-5000
WWW.PENTAIRPOOL.COM

All indicated Pentair trademarks and logos are property of Pentair Inc. or its global affiliates in the U.S.A. and/or other countries. Third party registered and unregistered trademarks and logos are the property of their respective owners

© 2021 Pentair. All rights reserved. This document is subject to change without notice.

