



# TriStar® XE

»»» Ultra-High Efficiency Pumps

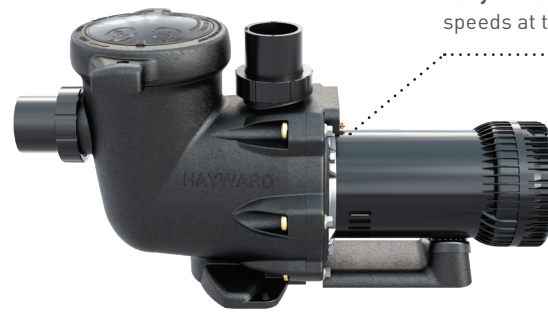
**SUPERIOR ENERGY EFFICIENCY,  
UNBEATABLE VALUE**

## HIGH PERFORMANCE WITH LOWEST COST OF OWNERSHIP.

TriStar XE Ultra-High Efficiency Pumps are built to deliver maximum energy savings while cutting equipment costs by more than a third. With adjustable speed options, pool owners can customize their pump settings (and savings) without having to pay for more options than they need. And with easy installation and dual-voltage capability, TriStar XE is the best way to install a pump that complies with Dept. of Energy regulations in any new or existing pool.

### KEY FEATURES

- » **Industry-leading efficiency** exceeds DOE benchmarks and performance of many competitive VS pumps
- » **Easily programmable** with up to 6 selectable speeds
- » **Dual-voltage capability** (230V/115V) offers more versatility for installation
- » **Simple installation** includes standard 2" x 2.5" CPVC unions and doesn't require any additional equipment



Easy-access control toggles between speeds at the touch of a button



**EXPERT LINE™**  
ONLY FROM POOL PROS

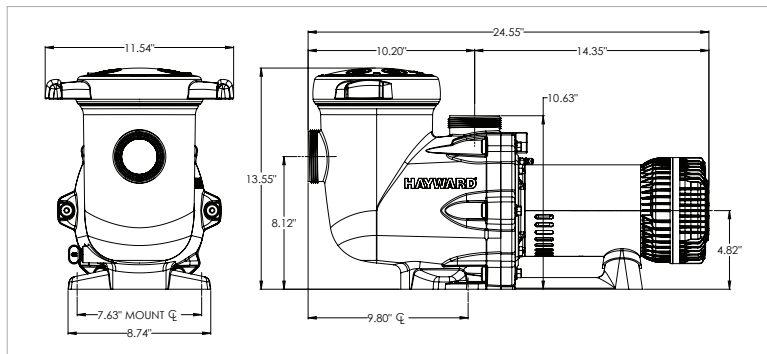
Find local utility rebates  
at [energystar.gov](http://energystar.gov)

### SPECIFICATIONS

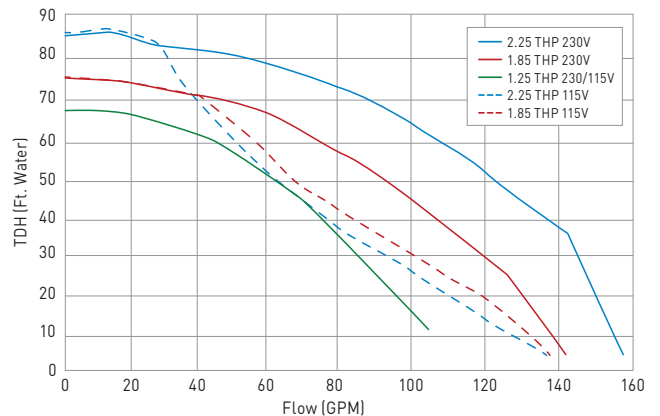
MODEL NUMBER	TOTAL HP	VOLTAGE	WARRANTY
SP3207X10XE	1.25	230/115V	3 years*
SP3210X15XE	1.85	230/115V	3 years*
SP3215X20XE	2.20	230/115V	3 years*

\*When sold by a Totally Hayward® Partner. Exclusions, other terms and conditions may apply—visit [hayward.com/expert](http://hayward.com/expert) for details.

### TRISTAR XE DIMENSIONS (INCHES)



### TRISTAR XE PERFORMANCE COMPARISON



TriStar XE pumps are listed by:

» [hayward.com](http://hayward.com) » 1-888-HAYWARD | Pumps » Filters » Heating » Cleaners » Sanitization » Automation » Lighting » Water Features » White Goods

Hayward, Hayward & Design, the H logo, Expert Line, Totally Hayward and TriStar are registered trademarks of Hayward Industries, Inc. ENERGY STAR is a registered mark owned by the U.S. government. All other trademarks not owned by Hayward are the property of their respective owners. Hayward is not in any way affiliated with or endorsed by those third parties. © 2021 Hayward Industries, Inc.

eLITTSXE21