

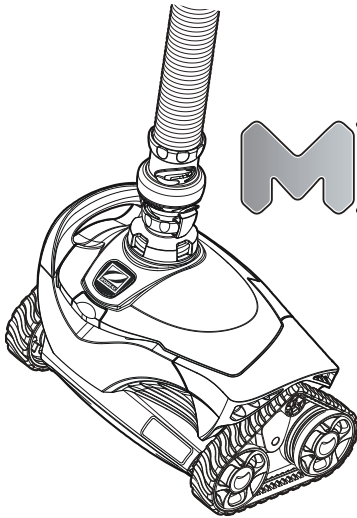


ZODIAC

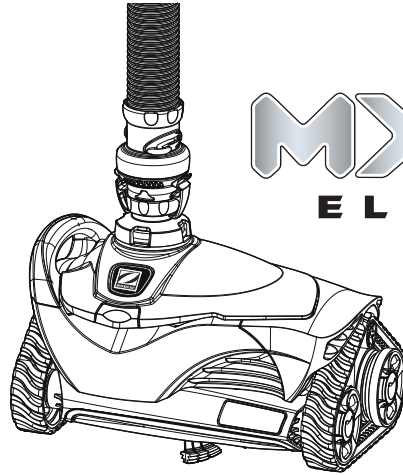
a better life®

OWNER'S MANUAL

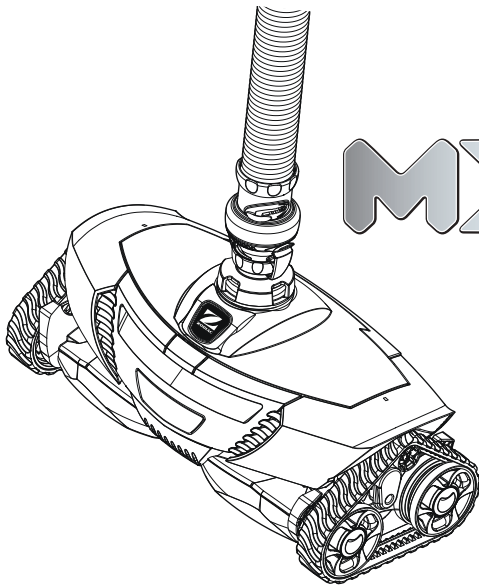
ENGLISH | FRANÇAIS | ESPAÑOL



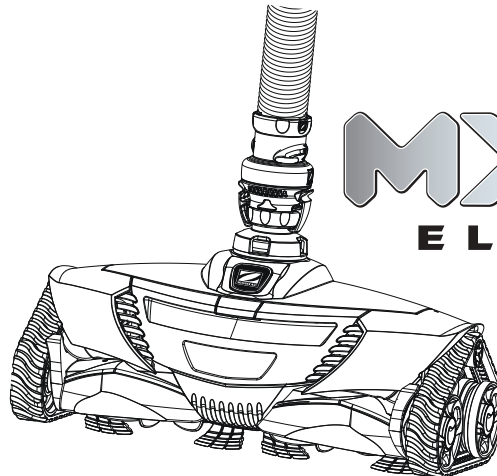
MX6™



MX6™
ELITE



MX8™



MX8™
ELITE

Important Information

WARNING

RISK OF SUCTION ENTRAPMENT HAZARD, WHICH, IF NOT AVOIDED CAN RESULT IN SERIOUS INJURY OR DEATH. Ensure that your vacuum suction fittings installed in your pool for connection of your suction-side pool cleaner are certified as being compliant with applicable safety standards such as IAPMO SPS 4. Do not block the suction fittings with any part or your body. Do not expose your hair, loose clothing, jewelry, etc. to any suction outlet fittings in the pool/spa.



Read owner's manual completely before operating the cleaner.



Remove cleaner before entering the pool.



Do not operate outside of the pool.



Do not let children play with cleaner.

Notice for Vinyl Liner Pools: Before installing your pool cleaner, examine the interior of your pool carefully. If the vinyl liner is brittle or has stones, wrinkles, roots or metal corrosion in contact with the underside of the liner, or has damage to the base material or supporting walls, do not install the cleaner before having a qualified professional perform the necessary repairs or liner replacement. **Zodiac Pool Systems LLC. (Zodiac) and its affiliates and subsidiaries will not be responsible for liner damage caused by a cleaner which is in disrepair, pattern removal from a vinyl liner, or a cleaner used in a pool having an aged or deteriorated liner.** Please see Limited Warranty.

- To help prevent suction entrapment accidents, wall vacuum fittings should have a safety vac lock installed. Contact your builder or retail pool professional for details.
- Clean the skimmer basket, pump basket and pool filter before installing the cleaner and on a regular basis thereafter.
- Always disconnect the cleaner from the pool wall or skimmer before cleaning or backwashing the pool filter. After cleaning or backwashing, let the filtration system run for at least five (5) minutes before re-connecting the cleaner.
- Remove the cleaner from the pool before chemical or shock treatments. Wait a minimum of four (4) hours after super chlorination before re-installing the cleaner.

To ensure prompt warranty service, should it be required, please:

- Complete and return the Zodiac Warranty Card.
- Record your purchase information.
- Attach a copy of your purchase receipt to this document.

Date of Purchase: _____ Purchased From: _____

Serial Number (located under the hood) _____

If service is required, simply present your manual with the attached receipt at any Zodiac warranty center.

For customer service or support:

Zodiac Pool Systems LLC 2620 Commerce Way, Vista, CA 92081-8438

1-800-822-7933

Zodiac Pool Systems Canada, Inc.

2-3365 Mainway, Burlington Ontario L7M 1A6 Canada

1-888-647-4004

Introduction

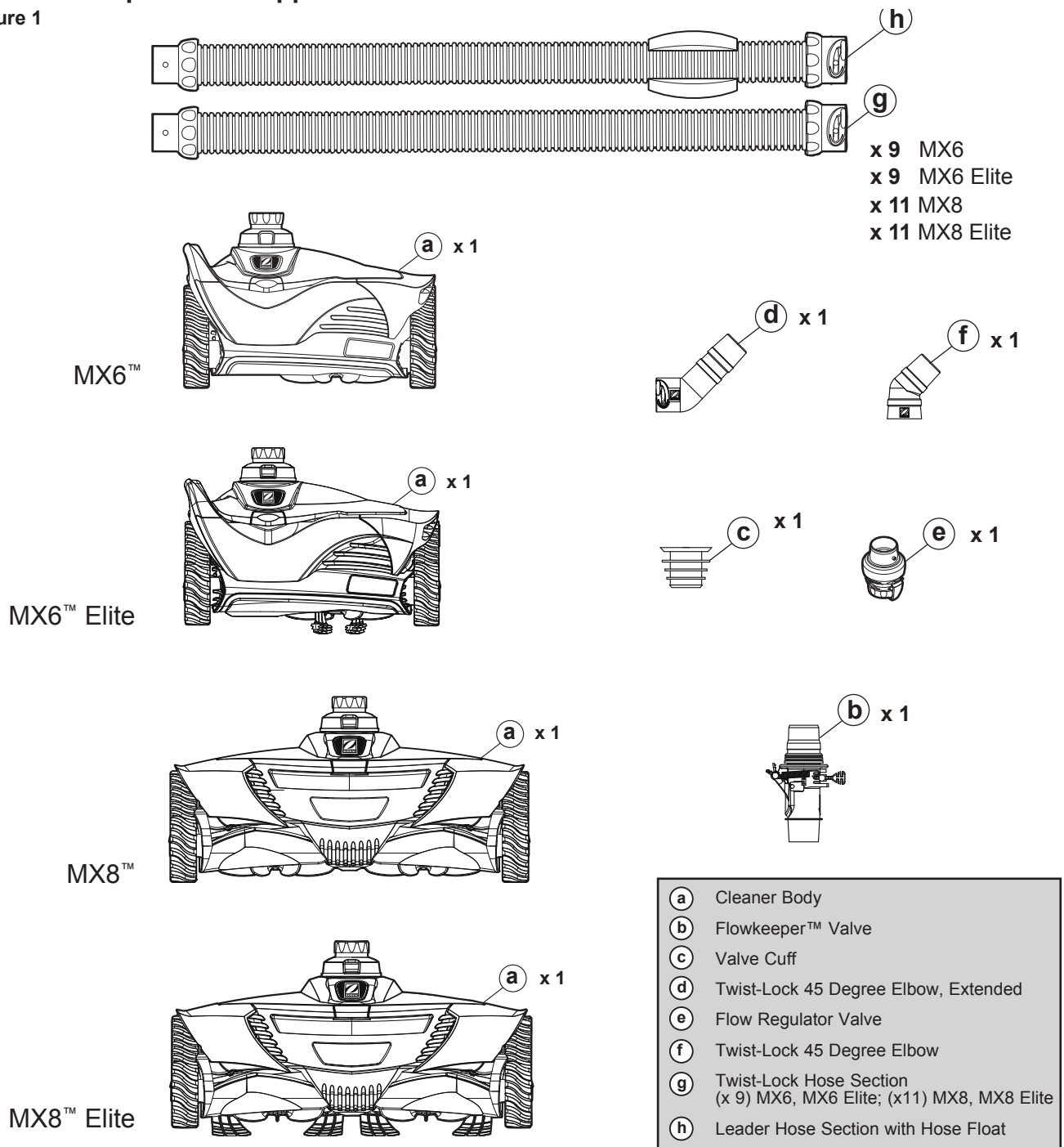
Congratulations on the purchase of your new Zodiac pool cleaner. Before installing your cleaner, please check the box to ensure all parts are included (Figure 1). If any components are missing, contact:

Zodiac Customer Support **1-800-822-7933 (USA)**
1-888-647-4004 (Canada)

Always insist on genuine Zodiac replacement parts. Non-Zodiac parts are not made to our specifications and may have an adverse effect on the operation of your cleaner, or may even damage it. Exploded parts diagrams and list of spare parts can be found at: www.ZodiacPoolSystems.com

Cleaner Components Shipped in the Box

Figure 1



Installation

STEP 1. Prepare the pool

1. Turn off the pool filter pump.
2. Manually vacuum the pool, and make sure the pool filter and pump basket are clean.
3. Close the pool main drain line.
4. Aim the return line fittings down.

WARNING

RISK OF SUCTION ENTRAPMENT HAZARD, WHICH, IF NOT AVOIDED CAN RESULT IN SERIOUS INJURY OR DEATH. Ensure that your vacuum suction fittings installed in your pool for connection of your suction-side pool cleaner are certified as being compliant with applicable safety standards such as IAPMO SPS 4. Do not block the suction fittings with any part of your body. Do not expose your hair, loose clothing, jewelry, etc. to any suction outlet fittings or hose ends in the pool/spa.

STEP 2. Assemble hose sections

Push and twist the connector on each hose section (g) until they lock into position with clicking sound. Hose cuffs have three (3) connection positions. Any of the three (3) positions are sufficient for an air-tight seal.

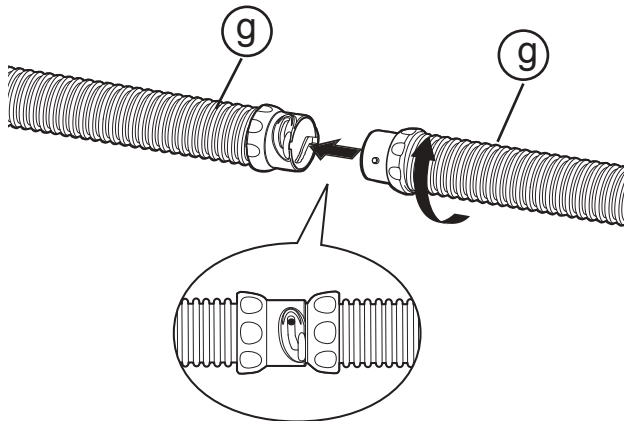


Figure 2

STEP 3. Connect to a dedicated suction line

1. Twist lock the male end of the hose (g) into the large end of the extended 45° elbow (d).
2. Connect elbow to the installed Safety Vac wall fitting (sold separately).
3. Angle the elbow toward the water surface (Figure 3).

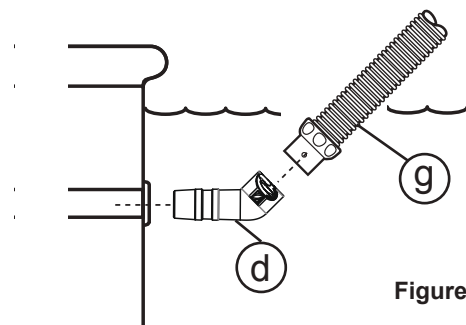


Figure 3

OR**Connect to a skimmer:**

The FlowKeeper™ valve must always be used in single skimmer installations. The valve regulates flow to ensure the pool pump and cleaner run properly.

If the pool has more than one skimmer, connect the hose to the one closest to the pump.

The parts used to connect the hose and the sequence in which they are installed depends on the type of skimmer (Figure 4).

1. Remove the skimmer basket.
2. Connect the valve cuff (c), FlowKeeper valve (b) and the 45 degree elbow (f) together. Insert the FlowKeeper valve (b) into the 45 degree elbow with arrow pointing down.
3. Twist lock the male end of the hose (g) into the end of the 45 degree elbow (f).
4. Insert assembly into the skimmer suction port.

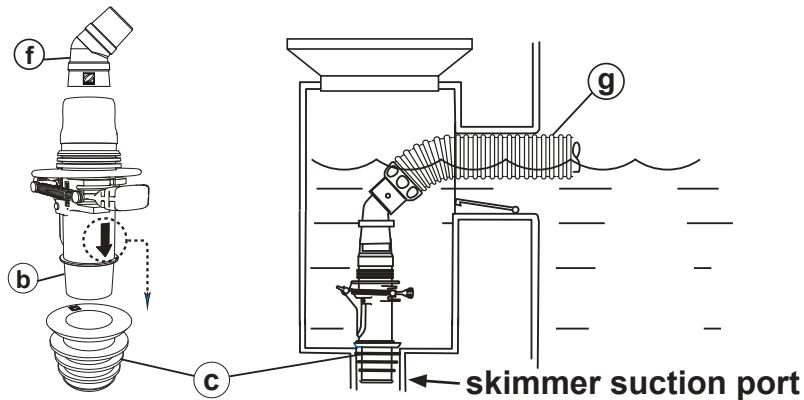


Figure 4

STEP 4. Determine correct hose length for your pool

1. Measure enough hose to reach the farthest point of the pool from the skimmer or dedicated suction line. Remove any additional hose sections, as necessary. See (A) in Figure 5, below.
2. Next attach the leader hose at to the end where the cleaner head will be connected. See (B) in Figure 5, below. The extra length allows the cleaner to reach the far point in the pool if a loop forms while in operation.

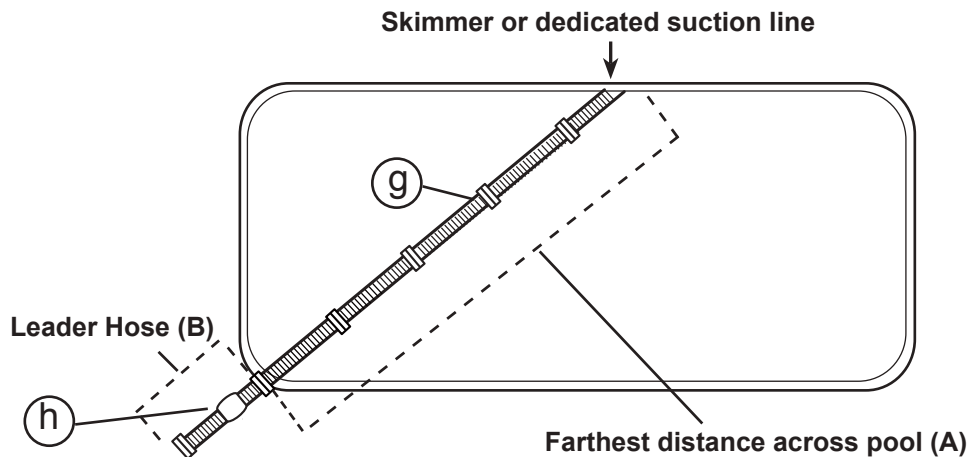


Figure 5

Total Hose Length Required = (A) Farthest distance across pool + (B) Leader Hose

STEP 5. Connect the Cleaner

1. Attach the flow regulator valve (e) to the leader hose (h). Leader hose is the hose section with foam float pre-attached (Figure 6).
2. Submerge the hose and flood with water (no bubbles visible).
3. Submerge the cleaner and flood with water (no bubbles visible).
4. Connect the hose to the cleaner head by pushing the flow regulator valve (e) onto the cleaner (Figure 7).
5. Allow the cleaner to sink to the bottom of the pool.
6. Turn on the pool filter pump.

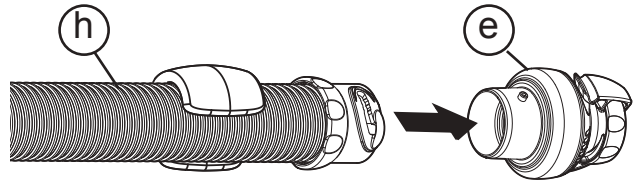
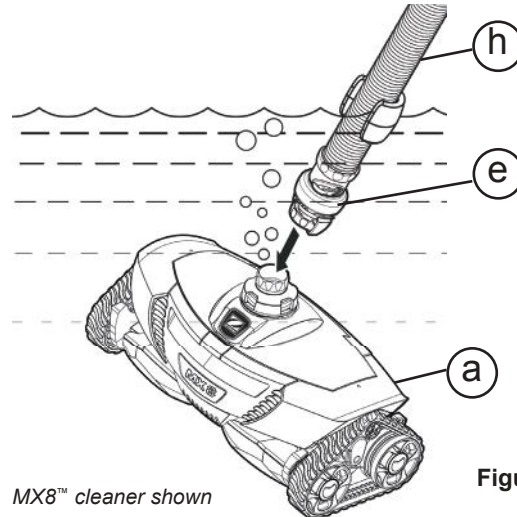


Figure 6



MX8™ cleaner shown

Figure 7

STEP 6. Test for Proper Flow

⚠ WARNING

To avoid serious injury, make sure to turn off the suction pump that is responsible for the pool cleaner operation. Do not expose your hair, loose clothing, jewelry, etc. to the open end of the hose.

The flow regulator valve is designed to consistently limit high flow of water through the cleaner. When flow is correct, the cleaner components are less susceptible to damage and the life of the cleaner can be extended. Wheel rotation speed is a good indicator of how water is flowing through the cleaner. By checking for proper wheel rotation timing, you can verify the cleaner is operating at maximum efficiency.

Time wheel rotations:

1. Turn on the pool filter pump.
2. Obtain a stopwatch or timer.
3. Leaving the pump on and water flowing through the cleaner, bring the cleaner to the surface of the water and hold it fully submerged just below the water line.
4. Locate the yellow wheel speed indicator on the rear right wheel (Figure 8).

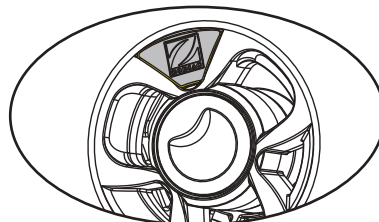


Figure 8

- Note how many seconds it takes to complete 10 rotations. If the wheels change direction during the rotation count, wait and restart your count.

If the count is within 20 - 25 seconds, no adjustment is necessary.

• **20 - 25 seconds --- Optimal Flow**

STEP 7. Adjust flow to the cleaner (if necessary)

- Determine if the flow to the cleaner is adequate or should be adjusted.
If the count is:

• **26 - 50 seconds --- Increase Flow (+)** --- cleaner moving too slow and needs additional flow

• **10 - 19 seconds --- Decrease Flow (-)** --- cleaner moving too fast and could be damaged

- To increase or decrease flow, adjust the valves at the equipment pad
OR
adjust the FlowKeeper™ valve at the skimmer up or down (see Figure 9).

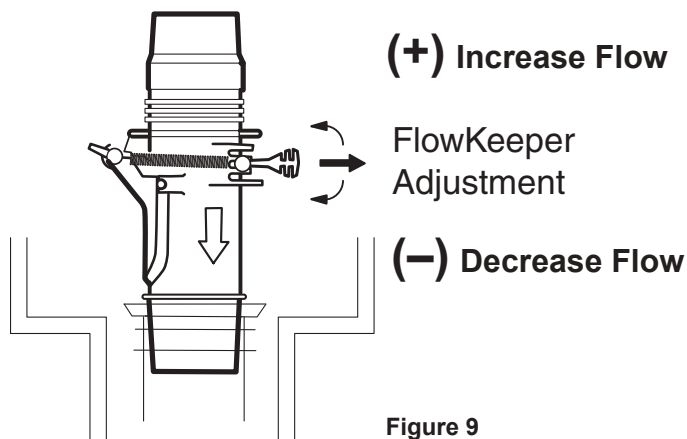


Figure 9

Operation and Maintenance

Daily Operation

The cleaner cycles on/off with the pool filtration pump, vacuuming and cleaning all surfaces randomly throughout the pool. The climbing ability of the cleaner is dependent on the pool's shape and available water flow. If the cleaner is not climbing pool walls, ensure the flow is correct by checking the wheel speed. Also, ensure the pool surface is not covered in algae as this slippery surface will affect traction.

During each coverage pattern cycle, the cleaner travels both forward and backwards, and pivots to the right and left. The turbines underneath the cleaner create down force for climbing and stability as well as directing debris into the cleaner mouth. (In MX8™ Elite cleaners, the scrubbing brushes also make contact with the pool floor to agitate and remove small stuck-on debris.)

MX8™ / MX8™ Elite Cleaner Vacuum Modes

Your Zodiac cleaner is designed to operate with two vacuum options:

- **Small debris (factory setting):** For vacuuming smaller and heavy debris, such as sand, silt and small stones. The pool cleaner is sent from the factory in this mode.
- **Large debris:** For vacuuming large debris, such as leaves. It is recommended that you return the cleaner to small debris factory setting after large debris cleaning.

⚠ WARNING

To avoid serious injury, make sure that the cleaner is disconnected from the hose and the suction pump used for the cleaner is turned off prior to starting this operation.

Convert to large debris cleaning mode:

1. Grasp the yellow inlet adapter and insert a finger into the adapter hole (Figure 10).
2. Lift up the rear edge of the inlet adapter and then pull it out of the vacuum inlet.

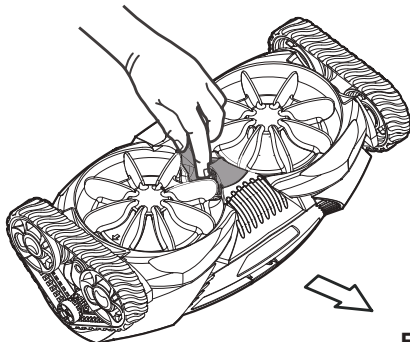


Figure 10

Convert back to small debris cleaning mode:

1. Place the yellow inlet adapter in the vacuum inlet of the pool cleaner.
2. Push down on the yellow inlet adapter until both the front and rear edges click into place.

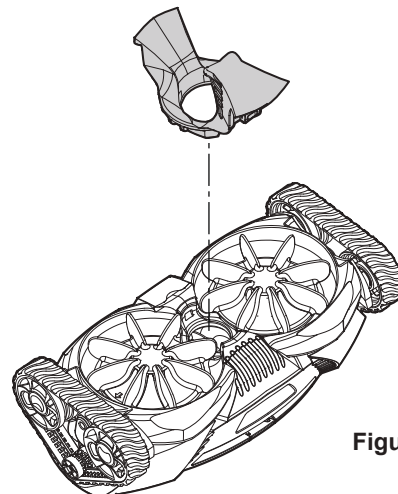


Figure 11

MX8™ cleaner shown

Routine Maintenance

To ensure correct operation and extend the life of your cleaner:

1. Empty the pump basket regularly

For the cleaner to operate at highest efficiency, empty the pump basket regularly. The more debris in the pool, the more often the pump basket should be cleared.

NOTE: Zodiac offers an in-line leaf canister which will trap solid debris before it enters the pump basket. See your Zodiac dealer for details.

2. Remove Debris from Engine

⚠ WARNING

To avoid serious injury, make sure that the cleaner is disconnected from the hose and the suction pump used for the cleaner is turned off prior to starting this operation.

1. Push the latch release button on the top of the cleaner (Figure 12).
2. Rotate the top assembly back until it clicks into an upward position.
3. Look into engine and remove debris that is present.
4. If needed, slowly push engine paddles forward and/or backwards to move stuck debris to an accessible position then remove it. When moving the engine paddles, make sure the cleaner tracks are allowed to move freely as they will turn as the engine paddles rotate.
5. Close engine top and ensure the latch clicks in place.

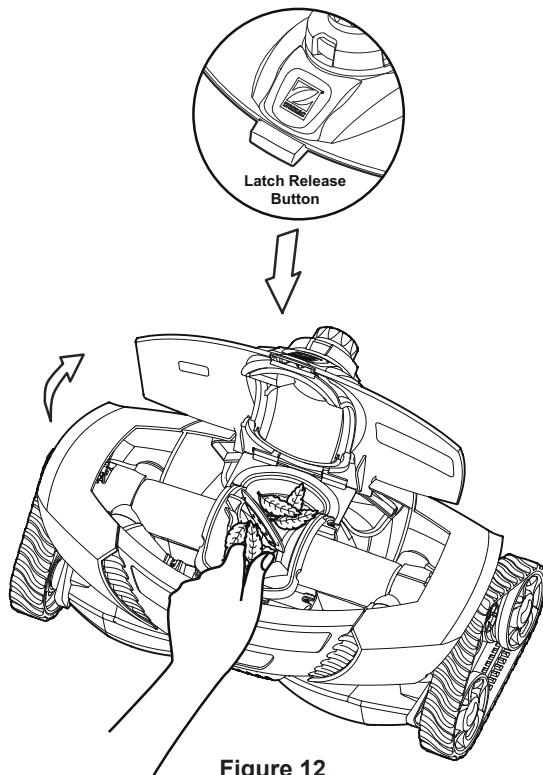


Figure 12
MX8™ cleaner shown

3. Backwash the pool filter

Always disconnect the cleaner from the pool wall before cleaning or backwashing the pool filter. After cleaning or backwashing, let the filtration system run for at least five (5) minutes to flush out the suction lines before re-connecting the cleaner.

4. Adding chemicals

Remove the cleaner from the pool for at least four (4) hours when adding chemicals.

5. Replace brushes regularly (*MX6™ Elite, MX8™ Elite*)

To maintain optimal cleaning, it is recommended to replace MX8 Elite scrubbing brushes each season or when significant wear is visible (Figure 13). To remove brushes, squeeze the yellow plastic clip between two fingers and pull out. Type of pool surface may also increase rate of wear to brushes.

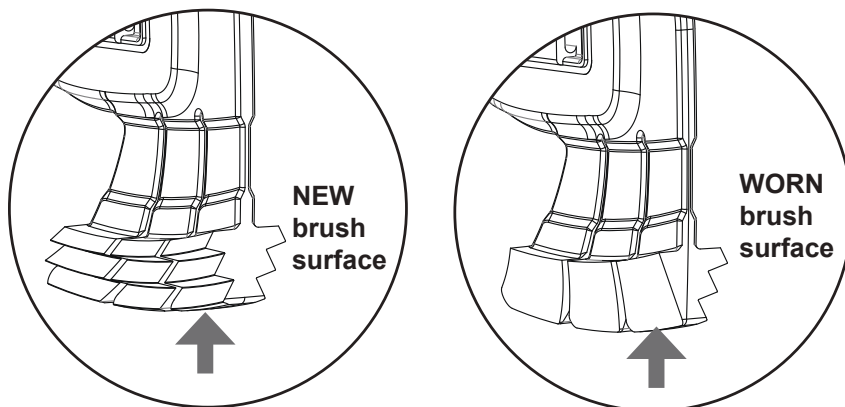
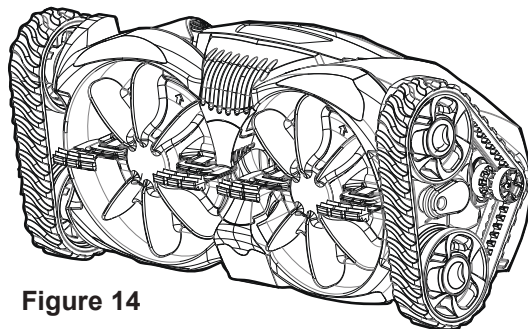


Figure 13

6. Storage

Never store the cleaner in direct sunlight. Do not coil the hose, even for short time. Hose may develop a memory which can affect cleaner performance. Store the cleaner on its side or back to avoid damage to turbine (all models) and brushes (MX8 Elite), see Figure 14.



MX8™ cleaner shown

Figure 14

7. Winterizing

Before storing for winter, drain out all the water (freeze damage is not covered by the warranty). Remove all connectors and adapters from the dedicated suction line or skimmer. Disassemble the hoses and lay flat.

Troubleshooting

If you experience a problem with your MX cleaner, please follow the troubleshooting steps below to restore performance. If further assistance is required, contact Zodiac Technical Support Department at (800) 822-7933.

Problem	Solution
Cleaner does not move or moves slowly.	<ul style="list-style-type: none"> • Confirm that the main drain is closed. • Check wheel speed to verify proper flow. Refer to section, "Check for Proper Flow." • Check to see if any interior teeth of the tracks are worn. If so, contact your dealer for replacement tracks. • Backwash filter and empty pump basket. • Check for debris jammed in engine. Refer to section, "Remove Debris from Engine". • (MX8™/MX8™ Elite) Switch cleaner to large debris cleaning mode. Refer to section, "MX8/MX8 Elite Cleaner Vacuum Modes". • Check for air in system. If water level in pump basket drops or you see excessive air bubbles in the pump basket or coming from the return lines, there is air in the system. Check hose connections, tighten all fittings at pump and check o-ring at pump basket for wear. • Check the flow regulator valve to make sure the it can move freely with the water flow.
Cleaner pattern does not cover entire pool.	<ul style="list-style-type: none"> • Confirm proper hose length for your pool. Refer to section, "Determine Correct Hose Length." • Count wheel rotations to verify proper flow. Refer to section, "Check for Proper Flow". Adjust flow if necessary. • Ensure return line fittings are directed downward. Add a return diverter if necessary. • Make sure hose is not kinked or coiled. Lay in sun to straighten if necessary. • Verify hose float is positioned approximately 9" from cleaner head. • (MX8/MX8 Elite) Observe cleaner for more than five (5) minutes and ensure that each drive track is periodically reversing direction. If it is not, contact dealer or service center for help.
Cleaner gets stuck at steps.	<ul style="list-style-type: none"> • (MX8/MX8 Elite) Observe cleaner for more than five (5) minutes and ensure that each drive track is periodically reversing direction. If it is not, contact you dealer or service center for help. • Ensure the swivel on top of the cleaner rotates freely. • Count wheel rotations to verify proper flow. Refer to section, "Check for Proper Flow". Adjust flow if necessary. • Confirm proper hose length for your pool. Refer to section, "Determine Correct Hose Length."
Cleaner won't climb walls.	<ul style="list-style-type: none"> • Count wheel rotations to verify proper flow. Refer to section, "Check for Proper Flow". Adjust flow if necessary. • Verify hose float is positioned approximately 9" from cleaner
Cleaner riding on its side.	<ul style="list-style-type: none"> • Verify hose float is positioned approximately 9" from cleaner.

Zodiac Pool Systems LLC

2620 Commerce Way, Vista, CA 92081

1.800.822.7933 | www.ZodiacPoolSystems.com

Zodiac Pool Systems Canada, Inc.

2-3365 Mainway, Burlington, Ontario L7M 1A6 Canada

1.888.822.400 | www.ZodiacPoolSystems.ca

*ZODIAC® is a registered trademark of Zodiac International, S.A.S.U., used under license.
All trademarks referenced herein are the property of their respective owners.*

*ZODIAC® est une marque déposée de Zodiac International, S.A.S.U., utilisée sous licence.
Toutes les autres marques citées sont la propriété respective de leur propriétaire.*

*ZODIAC® es una marca registrada de Zodiac International, S.A.S.U., usada bajo licencia.
Todas las otras marcas registradas usadas aqui son propiedad de sus propietarios.*

©2018 Zodiac Pool Systems LLC H0539800 Rev B



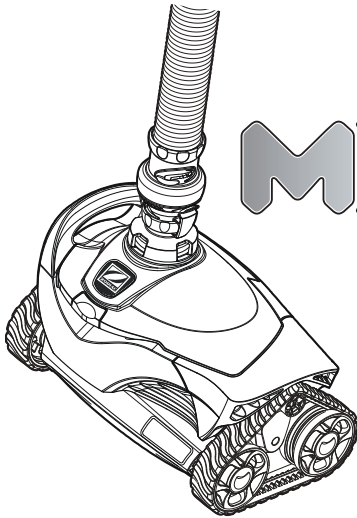


ZODIAC

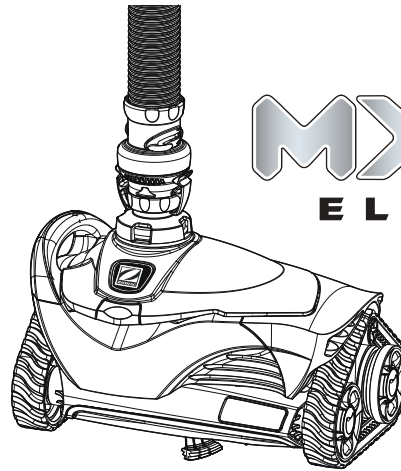
a better life®

MANUEL DU PROPRIÉTAIRE

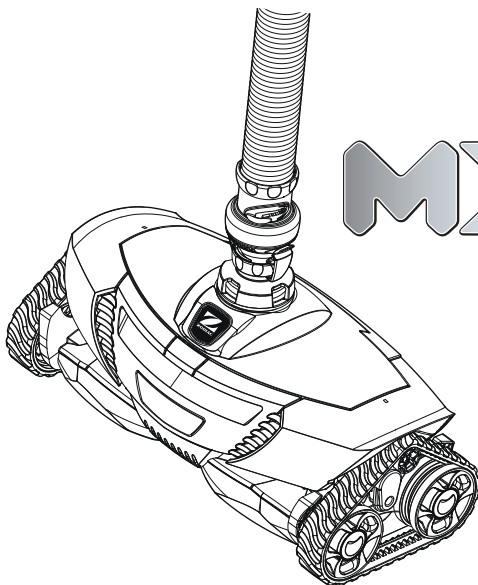
ENGLISH | FRANÇAIS | ESPAÑOL



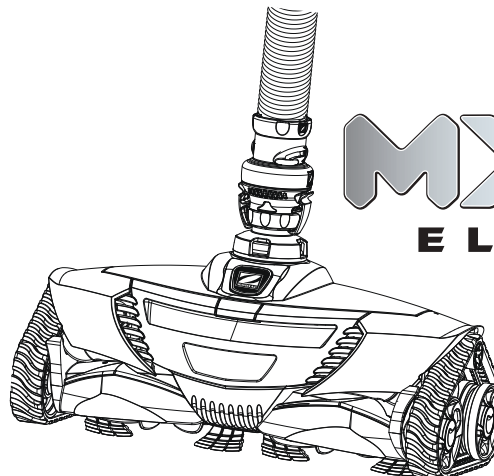
MX6™



MX6™
ELITE



MX8™



MX8™
ELITE

Informations importantes

AVERTISSEMENT

RISQUE DE PIÉGEAGE DANS LA CONDUITE D'ASPIRATION QUI, SI NON ÉVITÉ, POURRAIT ENTRAÎNER DES BLESSURES GRAVES OU LA MORT. S'assurer que les raccords d'aspiration installés dans votre piscine pour brancher le nettoyeur de piscine du côté aspiration sont homologués aux normes de sécurité applicables telles qu'IAPMO SPS 4. Ne pas bloquer les raccords d'aspiration avec une partie de votre corps. Garder les cheveux, vêtements amples, bijoux, et autres loin des raccords d'aspiration de la piscine ou du spa.



Lire le manuel du propriétaire avant de faire fonctionner le nettoyeur.



Retirer le nettoyeur avant d'entrer dans la piscine.



Ne pas utiliser en dehors de la piscine.



Ne pas laisser les enfants jouer avec le nettoyeur.

Avis pour les piscines à revêtement en vinyle : Avant l'installation de votre nettoyeur de piscine, examiner avec soin tout l'intérieur de votre piscine. Si le revêtement est craquelé ou a des pierres, des replis, des racines ou une présence de corrosion métallique en contact avec le dessous du revêtement, ou si le matériel de la base ou les parois de soutènement sont endommagés, ne pas installer le nettoyeur avant d'avoir fait réparer ou remplacer le revêtement par un professionnel agréé. **Zodiac Pool Systems LLC (Zodiac) et et se filiales et filiales ne sont pas responsable des dommages au revêtement causés par un nettoyeur non réparé, de l'effacement de motifs du revêtement en vinyle ou de l'utilisation du nettoyeur dans une piscine ayant un revêtement vieux ou détérioré.**

Veuillez consulter la garantie limitée.

- Pour éviter les accidents d'aspiration, les installations d'aspiration du mur devraient avoir un verrou de sécurité installé. Veuillez communiquer avec votre constructeur ou professionnel de piscines au détail pour obtenir de plus amples renseignements.
- Nettoyer le panier de l'écumoire, le panier de la pompe et le filtre de piscine avant d'installer le nettoyeur et de façon régulière par la suite.
- Toujours débrancher le nettoyeur du mur ou de l'écumoire de la piscine avant de nettoyer ou de faire un lavage à contre-courant du filtre de la piscine. Après le nettoyage ou le lavage à contre-courant, laisser fonctionner le système de filtration pendant au moins cinq (5) minutes avant de rebrancher le nettoyeur.
- Enlever le nettoyeur de la piscine avant de faire des traitements de choc ou de produits chimiques. Attendre un minimum de quatre (4) heures après la surchloration avant de réinstaller le nettoyeur.

Pour assurer un service rapide dans le cadre de la garantie, le cas échéant, veuillez :

- remplir et renvoyer la carte de garantie Zodiac;
- enregistrer votre information d'achat;
- joindre un exemplaire de votre reçu d'achat à ce document.

Date d'achat : _____ Acheté chez : _____

Numéro de série (situé sous le couvercle) _____

Si vous avez besoin de services d'entretien, vous aurez à présenter votre manuel avec le reçu à tout centre de garantie de Zodiac.

Pour le service à la clientèle et le soutien technique :

Zodiac Pool Systems LLC 2620, Commerce Way, Vista, CA 92081-8438

1-800-822-7933

Zodiac Pool Systems Canada, Inc.

2-3365 Mainway, Burlington Ontario L7M 1A6 Canada

1-888-647-4004

Introduction

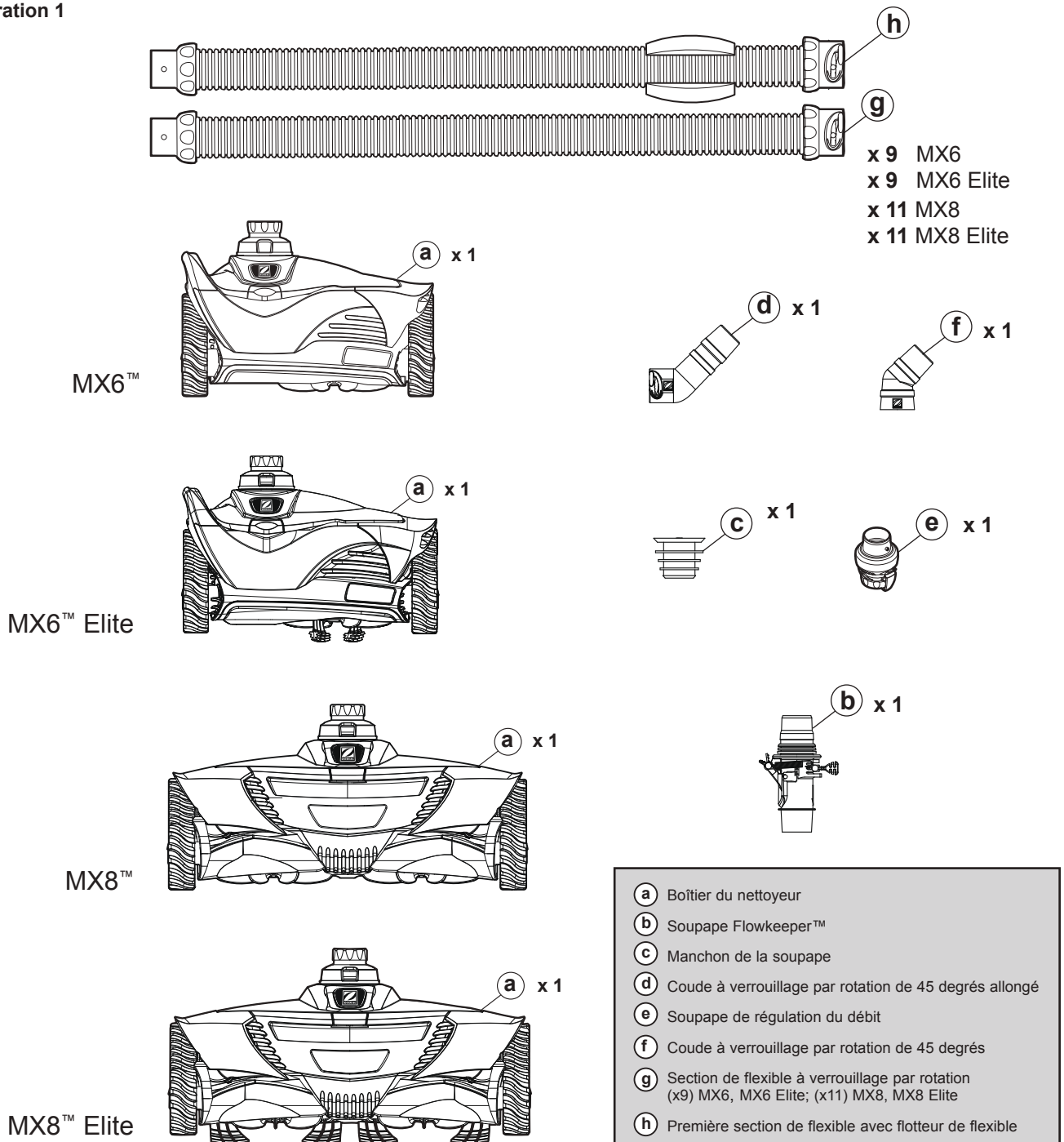
Félicitations pour l'achat de votre nouveau nettoyeur de piscine Zodiac. Avant d'installer votre nettoyeur, veuillez examiner la boîte pour vous assurer qu'il ne manque pas de pièces (Illustration 1). Si des composantes sont manquantes, communiquez avec le

service à la clientèle de Zodiac : **1-800-822-7933 (É.-U.)**
1-888-647-4004 (Canada)

Toujours exiger des pièces de rechange de Zodiac d'origine. Les pièces ne provenant pas de Zodiac ne sont pas fabriquées selon nos spécifications et peuvent nuire au fonctionnement de votre appareil ou même l'endommager. Le diagramme explosé et la liste des pièces de rechange est accessible à : www.ZodiacPoolSystems.com.

Composantes du nettoyeur livrées dans la boîte

Illustration 1



Installation

ÉTAPE 1. Préparation de la piscine

1. Éteindre la pompe du filtre de la piscine.
2. Balayer la piscine manuellement et s'assurer que le filtre de la piscine et le panier de la pompe sont propres.
3. Fermer la ligne principale de canalisation de la piscine.
4. Aligner les raccords des conduites de retour vers le bas.

⚠ AVERTISSEMENT

RISQUE DE PIÉGEAGE DANS LA CONDUITE D'ASPIRATION QUI, SI NON ÉVITÉ, POURRAIT ENTRAÎNER DES BLESSURES GRAVES OU LA MORT. S'assurer que les raccords d'aspiration installés dans votre piscine pour brancher le nettoyeur de piscine du côté aspiration sont homologués aux normes de sécurité applicables telles qu'IAPMO SPS 4. Ne pas bloquer les raccords d'aspiration avec une partie de votre corps. Garder vos cheveux, vêtements amples, bijoux, et autres loin des raccords d'aspiration ou des extrémités du flexible dans la piscine ou le spa.

ÉTAPE 2. Assemblage des sections du flexible

Pousser et tourner les connecteurs de chaque section du flexible (g) jusqu'à ce qu'ils s'enclenchent en place (un déclic se fera entendre). Les manchons du flexible comportent trois (3) positions de raccordement. N'importe laquelle des trois (3) positions est suffisante pour un joint étanche à l'air.

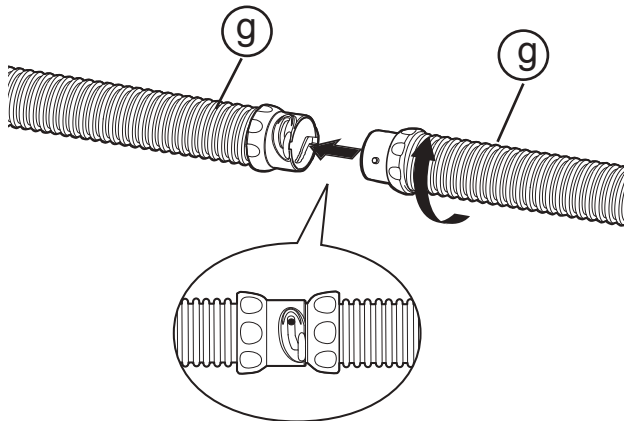


Illustration 2

ÉTAPE 3. Raccordement à une ligne d'aspiration réservée

1. Verrouiller par rotation l'extrémité mâle (g) du flexible dans la grande extrémité du coude de 45 degrés allongé (d).
2. Raccorder le coude à la prise Safety Vac installée (vendue séparément).
3. Orienter le coude vers le haut, en direction de la surface de l'eau (Illustration 3).

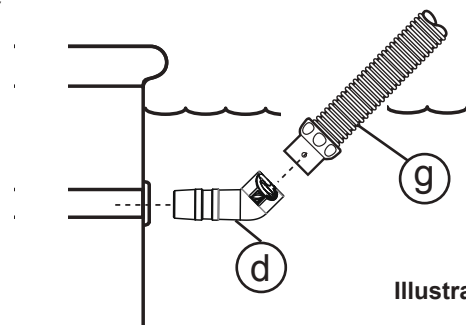


Illustration 3

OU**Raccordement du flexible à une écumoire :**

La soupape FlowKeeper™ doit toujours être utilisée dans les installations à écumoire unique.

La soupape règle l'écoulement pour assurer que la pompe aussi bien que le nettoyeur de la piscine fonctionnent correctement.

Si la piscine compte plusieurs écumaires, raccorder le flexible à celle qui est la plus près de la pompe.

Les pièces utilisées pour raccorder le flexible et leur ordre d'installation dépendent du type d'écumoire (Illustration 4).

1. Enlever le panier de l'écumoire.
2. Raccorder le manchon de la soupape (c), la soupape FlowKeeper (b) et le coude de 45 degrés (f). Insérer la soupape FlowKeeper (b) dans le coude de 45 degrés avec la flèche pointant vers le bas.
3. Verrouiller par rotation l'extrémité mâle (g) du flexible dans l'extrémité du coude de 45 degrés (f).
4. Insérer l'assemblage dans l'orifice d'aspiration de l'écumoire.

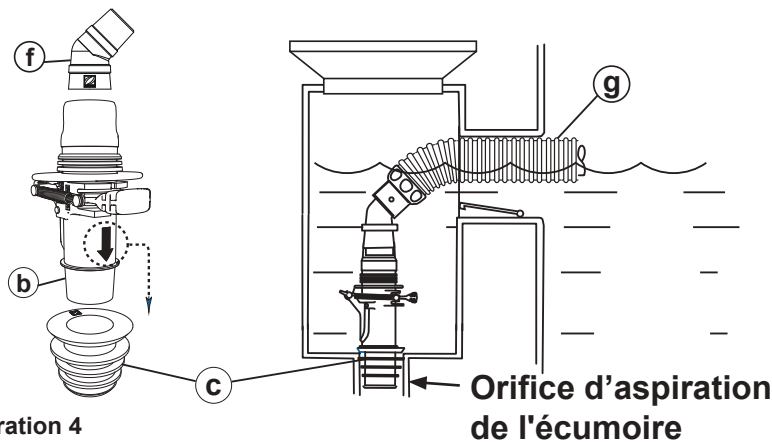


Illustration 4

ÉTAPE 4. Déterminer la bonne longueur de flexible pour votre piscine

1. Mesurer une longueur de flexible suffisante pour atteindre le point dans la piscine le plus éloigné de l'écumoire ou de la ligne d'aspiration réservée. Retirer des sections supplémentaires, au besoin. Voir (A) dans l'illustration 5 ci-dessous.
2. Ensuite, raccorder la première section de flexible à l'extrémité où la tête du nettoyeur sera raccordée. Voir (B) dans l'illustration 5 ci-dessous. La longueur supplémentaire permet au nettoyeur d'atteindre le point le plus éloigné, même si le flexible s'enroule pendant son utilisation.

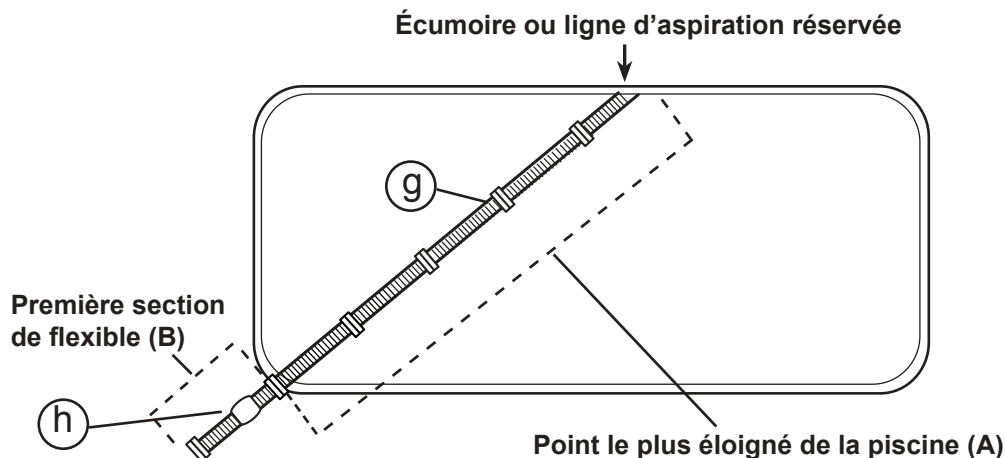


Illustration 5

Longueur de flexible totale nécessaire = (A) Distance pour atteindre le point le plus éloigné de la piscine + (B) première section de flexible

ÉTAPE 5. Raccordement du nettoyeur

1. Raccorder la soupape de régulation du débit à la première section du flexible (h). La première section est celle qui comporte un flotteur en mousse préalablement installé (Illustration 6).
2. Immerger le flexible et le remplir d'eau (aucune bulle visible).
3. Immerger le nettoyeur et le remplir d'eau (aucune bulle visible).
4. Raccorder le flexible à la tête du nettoyeur en appuyant sur la soupape de régulation de l'écoulement (e) sur le nettoyeur (Illustration 7).
5. Laisser le nettoyeur couler au fond de la piscine.
6. Allumer la pompe du filtre de la piscine.

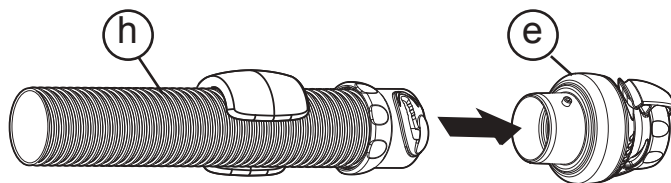


Illustration 6

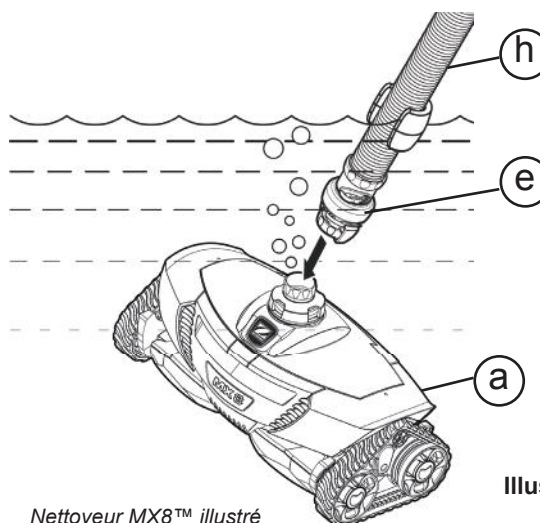


Illustration 7

Nettoyeur MX8™ illustré

ÉTAPE 6. Vérification d'un écoulement approprié

⚠ AVERTISSEMENT

Pour éviter des blessures graves, veuillez éteindre la pompe d'aspiration qui est responsable de l'opération de nettoyage de la piscine. Garder vos cheveux, vêtements amples, bijoux, et autres loin de l'extrémité ouverte du flexible.

La soupape régulatrice de débit est conçue pour limiter constamment le débit de l'eau qui circule dans le nettoyeur. Quand le débit est adéquat, les composants du nettoyeur sont moins susceptibles de s'endommager, ce qui prolonge la durée de vie du nettoyeur. La vitesse de rotation des roues est un bon indicateur du mouvement de l'eau dans le nettoyeur. En vous assurant que la roue tourne à la bonne vitesse, vous pouvez confirmer que le nettoyeur fonctionne à son efficacité maximale.

Évaluer la vitesse de rotation des roues :

1. Allumer la pompe du filtre de la piscine.
2. Utiliser un chronomètre ou une minuterie.
3. En laissant la pompe allumée et en laissant l'eau circuler dans le nettoyeur, soulever le nettoyeur à la surface de l'eau et le maintenir entièrement submergé juste sous la surface.
4. Trouver l'indicateur de vitesse jaune sur la roue arrière droite (Illustration 8).

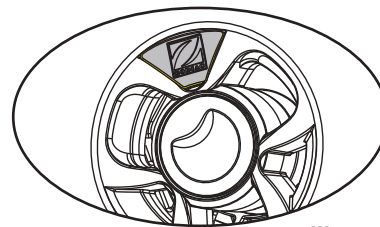


Illustration 8

5. Noter le nombre de secondes nécessaires pour 10 rotations. Si les roues changent de direction pendant le décompte des rotations, attendre et recommencer votre décompte.

Si le résultat est de 20 à 25 secondes, aucun réglage n'est nécessaire.

- **De 20 à 25 secondes --- Écoulement optimal**

ÉTAPE 7. Réglage du débit vers le nettoyeur (si nécessaire)

1. Déterminer si le débit d'eau vers le nettoyeur est adéquat ou doit être réglé.
Si le résultat est :

- **De 26 à 50 secondes --- Augmenter l'écoulement (+)** --- le nettoyeur fonctionne trop lentement et nécessite un écoulement plus important

- **De 10 à 19 secondes --- Diminuer l'écoulement (-)** --- le nettoyeur fonctionne trop rapidement et pourrait subir des dommages

2. Pour augmenter ou diminuer l'écoulement, ajuster les soupapes à la plateforme d'équipement
OU
régler la soupape FlowKeeper™ dans l'écumoire vers le haut ou vers le bas (voir l'illustration 9).

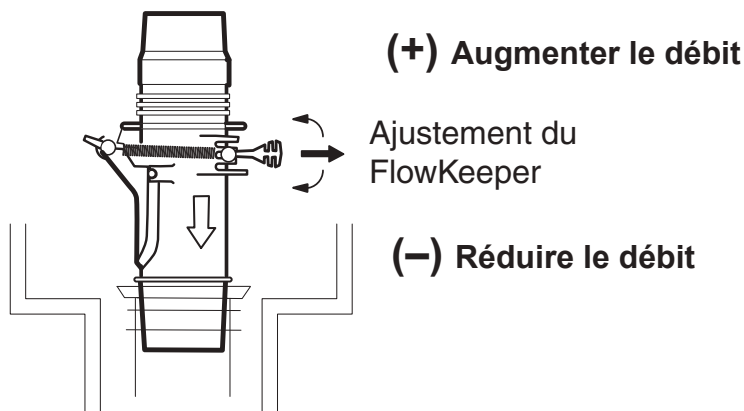


Illustration 9

Opération et entretien

Fonctionnement quotidien

Le nettoyeur passe de marche à arrêt en même temps que la pompe de filtration de piscine, nettoyant toutes les surfaces de manière aléatoire dans toute la piscine. La capacité d'escalade du nettoyeur varie en fonction de la forme de la piscine et du débit d'eau disponible. Si le nettoyeur ne monte pas les parois de la piscine, s'assurer que l'écoulement est adéquat en vérifiant la vitesse de la roue. En outre, s'assurer que la surface de la piscine n'est pas couverte d'algues, car ceci affectera la traction du nettoyeur.

Au cours de chaque cycle des zones de balayage, le nettoyeur se déplace vers l'avant et l'arrière et pivote vers la droite et la gauche. Les turbines sous le nettoyeur créent une force descendante pour faciliter l'ascension et améliorer la stabilité, mais aussi pour diriger les débris dans la bouche du nettoyeur. (Dans le cas des nettoyeurs MX8™ Elite, les brosses à récurer font également contact avec le sol de la piscine pour agiter et enlever les petits débris collés.)

Modes d'aspiration du nettoyeur MX8™/MX8™ Elite

Votre nettoyeur Zodiac est conçu pour fonctionner avec deux options d'aspiration :

- **Mode de nettoyage des petits débris (réglage par défaut) :** Pour aspirer les débris plus petits et lourds, tels que le sable, la vase et les cailloux. Le nettoyeur de piscine est expédié de l'usine dans ce mode.
- **Mode de nettoyage des gros débris :** Pour aspirer les débris plus gros, tels que les feuilles. Il est conseillé de remettre le nettoyeur au réglage par défaut (petits débris) après le nettoyage de gros débris.

⚠ AVERTISSEMENT

Pour éviter de graves blessures, s'assurer que le nettoyeur est débranché du flexible et que l'aspiration de la pompe utilisée pour le nettoyeur est éteinte avant de commencer cette opération.

Pour régler le nettoyeur de piscine au mode de nettoyage de gros débris :

1. Saisir l'adaptateur d'admission jaune et insérer un doigt dans l'orifice de l'adaptateur (Illustration 10).
2. Soulever le bord arrière de l'adaptateur d'admission, puis le retirer de la prise d'aspiration.

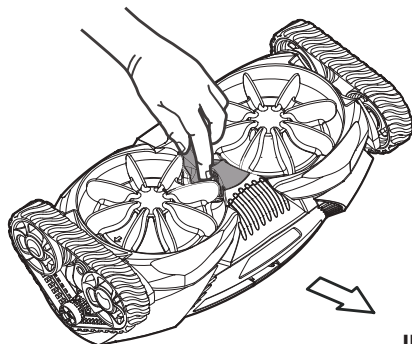


Illustration 10

Nettoyeur MX8™ illustré

Remettre en mode de nettoyage des petits débris :

1. Placer l'adaptateur d'admission jaune dans la prise d'aspiration du nettoyeur de piscine.
2. Appuyer sur l'adaptateur d'admission jaune jusqu'à ce que les bords avant et arrière s'enclenchent.

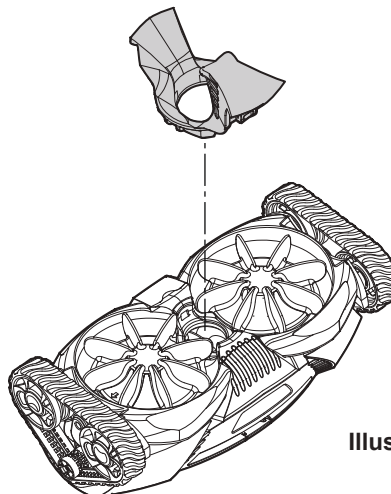


Illustration 11

Entretien de routine

Pour garantir le bon fonctionnement et prolonger la durée de vie de votre nettoyeur :

1. Vidange régulière du panier de la pompe

Pour maximiser l'efficacité du nettoyeur, vider régulièrement le panier de la pompe. Plus il y a de débris dans la piscine, plus le panier de la pompe devra être nettoyé souvent.

REMARQUE : Zodiac offre une boîte filtrante à feuilles en ligne qui piège les débris solides avant leur entrée dans le panier de la pompe. Consultez votre détaillant Zodiac pour obtenir de plus amples renseignements.

2. Retrait des débris logés dans le moteur

⚠ AVERTISSEMENT

Pour éviter de graves blessures, s'assurer que le nettoyeur est débranché du flexible et que l'aspiration de la pompe utilisée pour le nettoyeur est éteinte avant de commencer cette opération.

1. Pousser le loquet de dégagement situé sur le dessus du nettoyeur (Illustration 12).
2. Faire pivoter l'ensemble supérieur jusqu'à ce qu'il s'enclenche dans une position vers le haut.
3. Regarder dans le moteur et enlever les débris s'y trouvant.
4. Au besoin, pousser doucement sur les pales du moteur vers l'avant ou l'arrière pour déplacer les débris coincés vers un endroit accessible, puis les retirer. Pour le déplacement des pales du moteur, s'assurer que les roues de traction du nettoyeur tournent librement comme elles le font normalement lorsque les pales du moteur tournent.
5. Fermer le couvercle du moteur et s'assurer que le loquet s'enclenche.

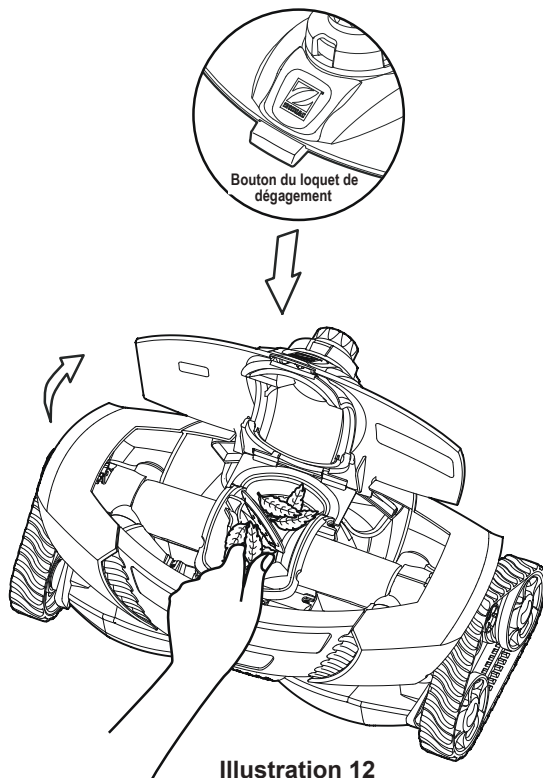


Illustration 12
Nettoyeur MX8™ illustré

3. Lavage à contre-courant le filtre de la piscine

Toujours débrancher le nettoyeur du mur de la piscine avant de nettoyer ou de laver à contre-courant le filtre de la piscine. Après le nettoyage ou le lavage à contre-courant, laisser le système de filtration fonctionner pendant au moins cinq (5) minutes pour rincer les conduites d'aspiration avant de rebrancher le nettoyeur.

4. Ajout de produits chimiques

Retirer le nettoyeur de la piscine pendant au moins quatre (4) heures après l'ajout de produits chimiques.

5. Remplacement régulier des brosses (MX6™ Elite, MX8™ Elite)

Pour conserver un nettoyage optimal, il est recommandé de remplacer les brosses à récurer MX8 Elite chaque saison ou lorsqu'une usure importante est visible (Illustration 13). Pour retirer les brosses, serrer l'agrafe en plastique jaune entre deux doigts et tirer. Le type de surface de la piscine peut aussi augmenter le rythme d'usure des brosses.

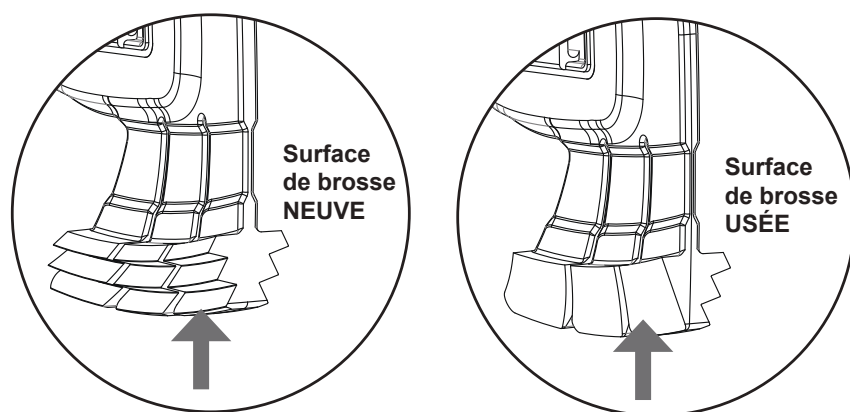


Illustration 13

6. Entreposage

Ne jamais garder le robot sous le soleil. Ne pas enrouler le flexible, même pour de courtes périodes. Le flexible peut adopter une nouvelle forme, ce qui peut affecter les performances du nettoyeur. Ranger le nettoyeur sur le côté ou le dos pour éviter d'endommager la turbine (tous les modèles) et les brosses (MX8 Elite); voir l'illustration 14.

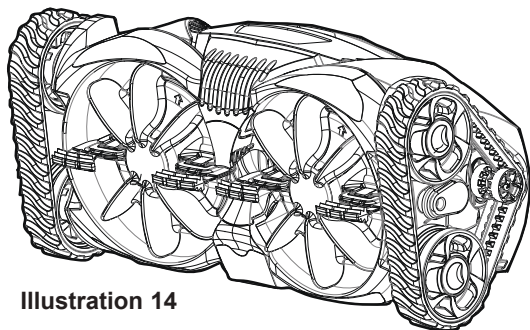


Illustration 14

Nettoyeur MX8™ illustré

7. Hivernisation

Avant de ranger le nettoyeur pour l'hiver, vider toute l'eau (les dommages causés par le gel ne sont pas couverts par la garantie). Enlever tous les connecteurs et les adaptateurs de la conduite d'aspiration réservée ou de l'écumoire. Démontez les flexibles et les étaler à plat.

Résolution des problèmes

Si vous éprouvez un problème avec votre nettoyeur MX, veuillez suivre les étapes de dépannage ci-dessous pour restaurer la performance. Si une assistance supplémentaire est nécessaire, veuillez communiquer avec le Service de soutien technique de Zodiac au 1-800-822-7933.

Problème	Solution
Le nettoyeur ne se déplace pas au moment du démarrage ou se déplace lentement.	<ul style="list-style-type: none"> • Confirmer que la canalisation principale est fermée. • Vérifier la vitesse de la roue pour confirmer que l'écoulement est adéquat. Se reporter à la section « Vérification d'un écoulement approprié ». • Vérifier si une dent intérieure des chenilles est usée. Si c'est le cas, contacter votre détaillant pour obtenir des chenilles de remplacement. • Effectuer un nettoyage à contre-courant et vider le panier de la pompe. • Vérifier s'il y a des débris coincés dans le moteur. Se référer à la section « Retirer les débris du moteur ». • (MX8™/MX8™ Elite) Régler le nettoyeur de piscine au mode de nettoyage de gros débris. Se référer à la section « Modes d'aspiration du nettoyeur MX8/MX8 Elite ». • Vérifier la présence d'air dans le système. Si le niveau d'eau dans le panier de la pompe chute ou que vous voyez des bulles d'air dans le panier de la pompe ou provenant des conduits de retour, il y a de l'air dans le système. Vérifier les flexibles, resserrer tous les raccords de la pompe et vérifier le joint torique de la pompe pour la présence d'usure. • Vérifier la soupape de régulation de l'écoulement pour confirmer qu'elle se déplace librement avec l'écoulement d'eau.
Les mouvements du nettoyeur ne couvrent pas la totalité de la piscine.	<ul style="list-style-type: none"> • Confirmer que la longueur de flexible convient à votre piscine. Se référer à la section « Déterminer la bonne longueur de flexible ». • Compter les rotations de la roue pour confirmer que l'écoulement est adéquat. Se reporter à la section « Vérification d'un écoulement approprié ». Régler l'écoulement si nécessaire. • S'assurer que les raccords de la ligne de retour sont dirigés vers le bas. Ajouter un détournement de retour au besoin. • S'assurer que le flexible n'est pas plié ou enroulé. L'étendre au soleil au besoin pour le redresser. • S'assurer que le flotteur du flexible est placé à environ 9 po (23 cm) de la tête du nettoyeur. • (MX8/MX8 Elite) Observer le nettoyeur pendant plus de cinq (5) minutes et s'assurer que chaque chenille motrice change régulièrement sa direction. Si ce n'est pas le cas, veuillez communiquer avec votre détaillant ou centre de service pour obtenir de l'aide.
Le nettoyeur se coince sur les escaliers.	<ul style="list-style-type: none"> • (MX8/MX8 Elite) Observer le nettoyeur pendant plus de cinq (5) minutes et s'assurer que chaque chenille motrice change régulièrement sa direction. Si ce n'est pas le cas, veuillez communiquer avec votre détaillant ou centre de service pour obtenir de l'aide. • S'assurer que le pivot au-dessus du nettoyeur tourne librement. • Compter les rotations de la roue pour confirmer que l'écoulement est adéquat. Se reporter à la section « Vérification d'un écoulement approprié ». Régler l'écoulement si nécessaire. • Confirmer la bonne longueur de flexible pour votre piscine. Se référer à la section « Déterminer la bonne longueur de flexible ».
Le nettoyeur n'escalade pas les parois.	<ul style="list-style-type: none"> • Compter les rotations de la roue pour confirmer que l'écoulement est adéquat. Se reporter à la section « Vérification d'un écoulement approprié ». Régler l'écoulement si nécessaire. • S'assurer que le flotteur du flexible est placé à environ 9 po (23 cm) de la tête du nettoyeur.
Le nettoyeur se déplace sur le côté.	<ul style="list-style-type: none"> • S'assurer que le flotteur du flexible est placé à environ 9 po (23 cm) de la tête du nettoyeur.

Zodiac Pool Systems LLC

2620, Commerce Way, Vista, CA 92081

1-800-822-7933 | www.ZodiacPoolSystems.com

Zodiac Pool Systems Canada, Inc.

2-3365 Mainway, Burlington, Ontario L7M 1A6 Canada

1-888-822-400 | www.ZodiacPoolSystems.ca

*ZODIAC® is a registered trademark of Zodiac International, S.A.S.U., used under license.
All trademarks referenced herein are the property of their respective owners.*

*ZODIAC® est une marque déposée de Zodiac International, S.A.S.U., utilisée sous licence.
Toutes les marques de commerce mentionnées dans le présent document sont la propriété de leurs
propriétaires respectifs.*

*ZODIAC® es una marca registrada de Zodiac International, S.A.S.U., usada bajo licencia.
Todas las otras marcas registradas usadas aqui son propiedad de sus propietarios.*

© 2018 Zodiac Pool Systems LLC. H0539800 Rév. B



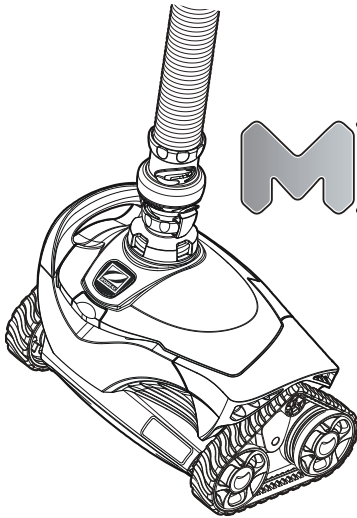


ZODIAC

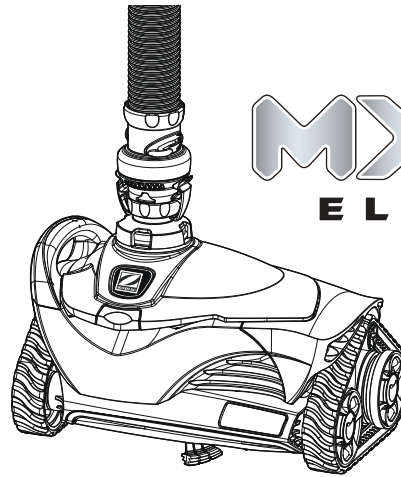
a better life®

MANUAL DEL PROPIETARIO

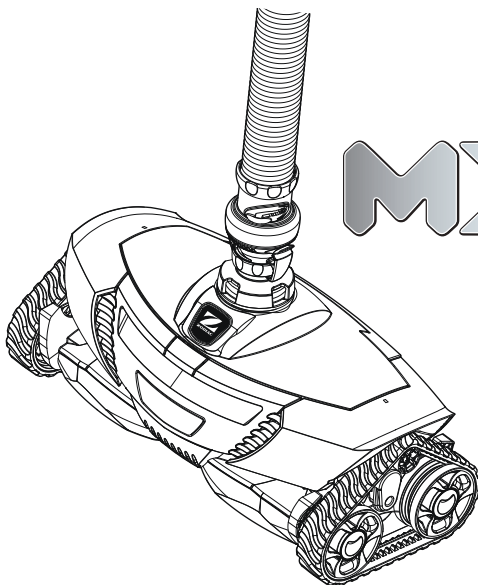
ENGLISH | FRANÇAIS | ESPAÑOL



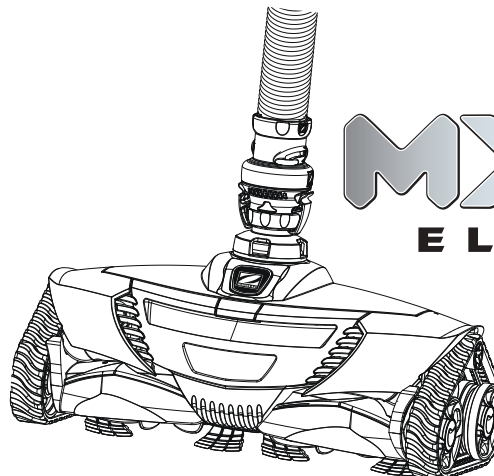
MX6™



MX6™
ELITE



MX8™



MX8™
ELITE

Información importante

⚠ ADVERTENCIA

PELIGRO DE ATRAPAMIENTO POR SUCCIÓN QUE, DE NO EVITARSE, PUEDE RESULTAR EN LESIONES GRAVES O LA MUERTE. Asegúrese de que los aditamentos de succión por vacío instalados en su piscina para la conexión de su limpiafondo de succión de lado estén certificados para cumplir con los estándares de seguridad correspondientes tales como IAPMO SPS 4. No bloquee los aditamentos de succión con ninguna parte del cuerpo. No exponga el cabello, prendas holgadas, joyas, etc. en los aditamentos de la boca de succión o los extremos de la manguera en la piscina/spa.



Lea todo el manual del propietario antes de poner en funcionamiento el limpiafondo.



Retire el limpiafondo antes de entrar a la piscina.



No lo haga funcionar fuera de la piscina.



No permita que los niños jueguen con el limpiafondo.

Información para piscinas con revestimiento de vinilo: Antes de instalar el limpiafondo, examine cuidadosamente el interior de su piscina. Si el revestimiento de vinilo está quebradizo o tiene piedras, pliegues, raíces o corrosión metálica en contacto con la parte inferior del revestimiento, o tiene daños en el material de la base o las paredes de soporte, no instale el limpiafondo hasta que un profesional calificado realice todas las reparaciones necesarias o reemplace el revestimiento. **Zodiac Pool Systems LLC (Zodiac) y sus filiales y subsidiarias no se hará responsable por los daños en el revestimiento causados por un limpiafondo en malas condiciones, por la remoción de un sector del revestimiento de vinilo o por el daño provocado por un limpiafondo utilizado en una piscina con revestimiento antiguo o deteriorado.**

Por favor lea la garantía limitada.

- Para ayudar a prevenir accidentes de atrapamiento por succión, los aditamentos de aspiración de pared deben tener un bloqueo de aspiración de seguridad instalado. Contacte a su constructor o profesional de piscinas para más detalles.
- Limpie la canasta del colector de espuma, la canasta de la bomba y el filtro de la piscina antes de instalar el limpiafondo y luego realice este proceso de manera regular.
- Siempre desconecte el limpiafondo de la pared de la piscina o del colector de espuma si va a limpiar o a hacer lavado contracorriente del filtro de la piscina. Luego de limpiar o de hacer lavado contracorriente, haga funcionar el sistema de filtrado durante al menos cinco (5) minutos antes de volver a conectar el limpiafondo.
- Quite el limpiafondo de la piscina antes de aplicar tratamientos con químicos. Espere un mínimo de cuatro (4) horas después de una cloración fuerte para volver a instalar el limpiafondo.

Para asegurar un servicio de garantía inmediato, si se le solicitara, por favor:

- Complete y devuelva la tarjeta de garantía de Zodiac.
- Registre la información de su compra.
- Adjunte a este documento una copia del recibo de su compra.

Fecha de compra: _____ Comprado en: _____

Número de serie (que aparece en la parte inferior del capó) _____

Si se requiere servicio, solo tiene que presentar su manual con el recibo adjunto en cualquier centro de garantías de Zodiac.

Para obtener servicio al cliente y soporte:

Zodiac Pool Systems LLC 2620 Commerce Way, Vista, CA 92081-8438

1-800-822-7933

Zodiac Pool Systems Canada, Inc.

2-3365 Mainway, Burlington Ontario L7M 1A6 Canada

1-888-647-4004

Introducción

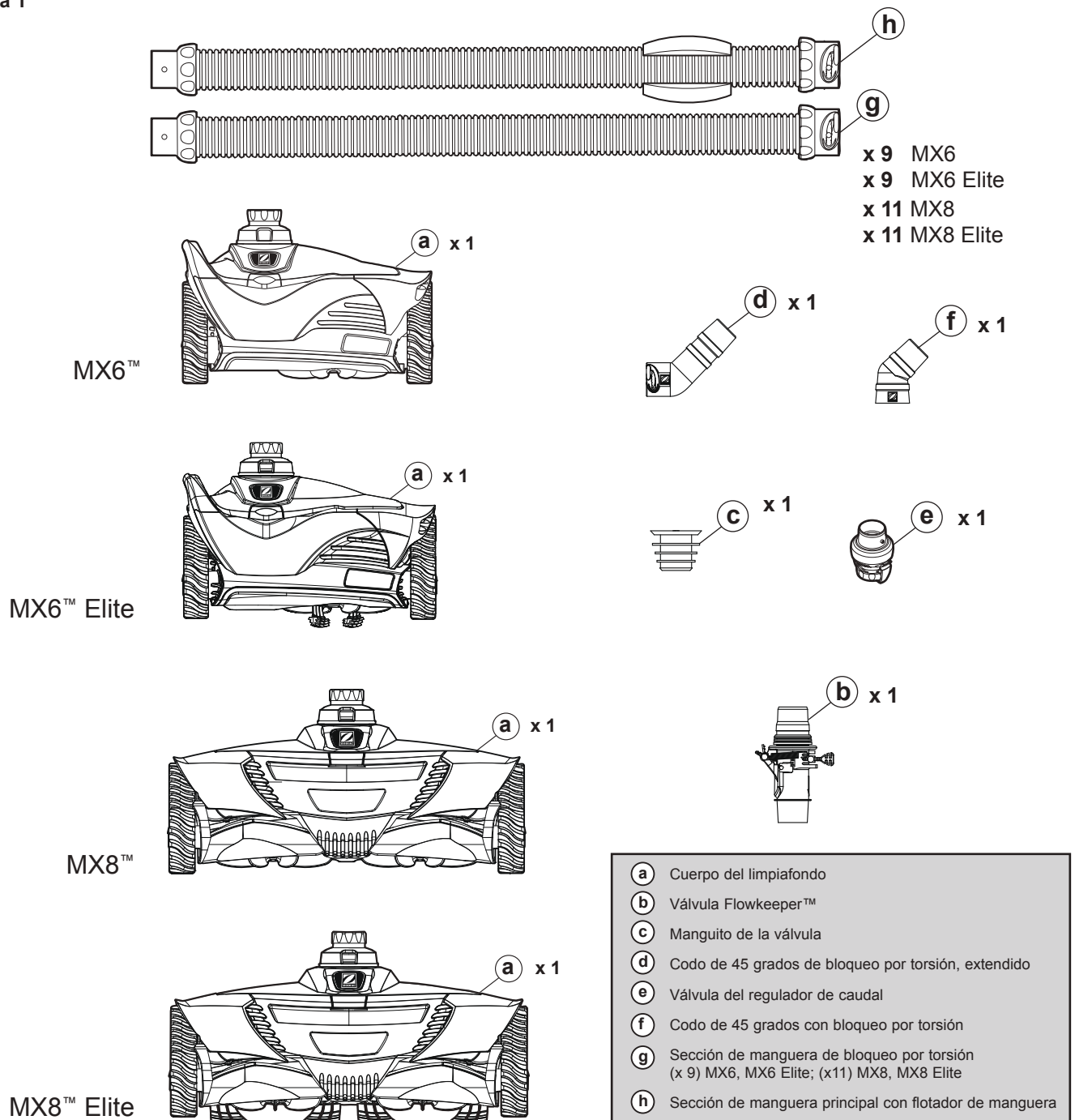
Felicitaciones por la compra de su nuevo limpiafondo Zodiac. Antes de instalar su limpiafondo, revise la caja para asegurarse de que se incluyan todas las piezas (figura 1). Si falta algún componente, contacte a:

Soporte al cliente de Zodiac **1-800-822-7933 (Estados Unidos)**
1-888-647-4004 (Canadá)

Siempre exija que las piezas reemplazadas sean legítimas Zodiac. Las piezas que no son de Zodiac no cumplen nuestras especificaciones y pueden tener un efecto adverso sobre la operación de su limpiafondos, o incluso podrían dañarlo. Encontrará los diagramas de piezas en vista expandida y una lista de piezas de repuesto en: www.ZodiacPoolSystems.com.

Componentes del limpiafondo que se incluyen en la caja

Figura 1



Instalación

PASO 1. Preparar la piscina

1. Apague la bomba del filtro de la piscina.
2. Manualmente aspire la piscina y asegúrese de que el filtro de la piscina y la canasta de la bomba estén limpios.
3. Cierre la línea de drenaje principal de la piscina.
4. Apunte los aditamentos de retorno hacia abajo.

⚠ ADVERTENCIA

PELIGRO DE ATRAPAMIENTO POR SUCCIÓN QUE, DE NO EVITARSE, PUEDE RESULTAR EN LESIONES GRAVES O LA MUERTE. Asegúrese de que los aditamentos de succión por vacío instalados en su piscina para la conexión de su limpiafondo de succión de lado estén certificados para cumplir con los estándares de seguridad correspondientes tales como IAPMO SPS 4. No bloquee los aditamentos de succión con ninguna parte del cuerpo. No exponga el cabello, prendas holgadas, joyas, etc. en los aditamentos de la boca de succión o los extremos de la manguera en la piscina/spa.

PASO 2. Enamble las secciones de la manguera

Inserte y enrosque el conector en cada sección de la manguera (g) hasta que queden bien colocados en su lugar. Los manguitos de la manguera tienen tres (3) posiciones de conexión. Cualquiera de las tres (3) posiciones es suficiente para lograr un sello hermético.

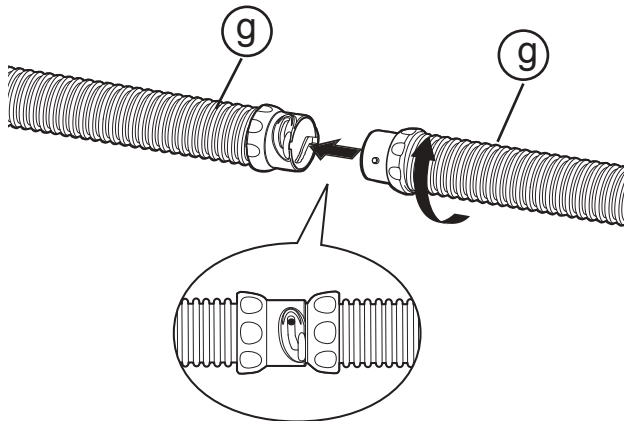


Figura 2

PASO 3. Conecte a una línea de succión exclusiva

1. Enrosque el extremo macho de la manguera (g) en el extremo grande del codo de 45° extendido (d).
2. Conecte el codo al aditamento de pared Safety Vac instalado (se vende por separado).
3. Inclíne el codo hacia arriba, hacia la superficie del agua (figura 3).

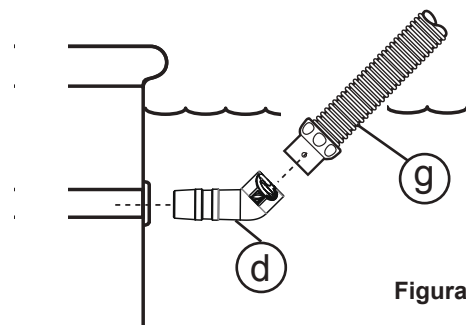


Figura 3

O Conectar a un colector de espuma:

La válvula FlowKeeper™ siempre debe usarse en instalaciones con un solo colector de espuma. La válvula regula el caudal para garantizar que la bomba de la piscina y el limpiafondo funcionen correctamente.

Si la piscina tiene más de un colector de espuma, conecte la manguera al que esté más cerca de la bomba.

Las piezas utilizadas para conectar la manguera y la secuencia en la que se deben instalar dependen del tipo de colector de espuma (figura 4).

1. Quite la canasta del colector de espuma.
2. Conecte el manguito de la válvula (c), la válvula FlowKeeper (b) y el codo de 45 grados (f) juntos. Inserte la válvula FlowKeeper (b) en el codo de 45 grados con la flecha hacia abajo.
3. Enrosque el extremo macho de la manguera (g) en el extremo del codo de 45 grados (f).
4. Inserte el conjunto en el puerto de succión del colector de espuma.

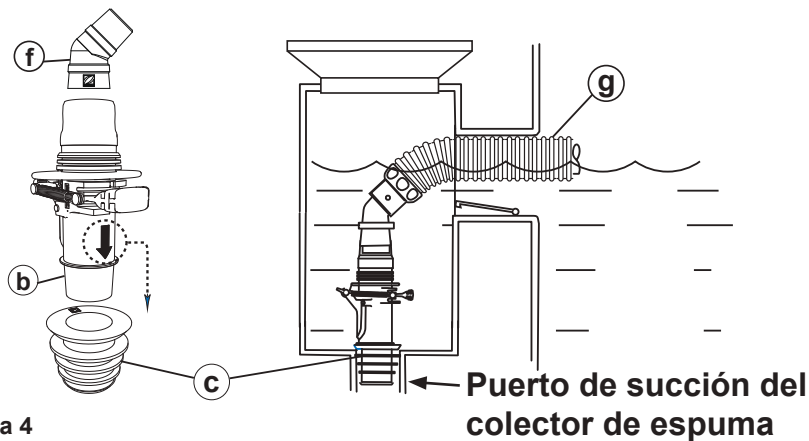


Figura 4

PASO 4. Determine la longitud correcta de la manguera para su piscina

1. Mida bien la manguera para que alcance el punto más lejano de la piscina desde el colector de espuma o la línea de succión exclusiva. Retire las secciones adicionales de la manguera, según sea necesario. Véase (A) en la figura 5, abajo.
2. Luego, conecte la manguera principal al extremo donde se conectará el cabezal del limpiafondo. Véase (B) en la figura 5, abajo. La longitud extra permite que el limpiafondo alcance los puntos más lejanos de la piscina si es que se forma un círculo mientras está en funcionamiento.

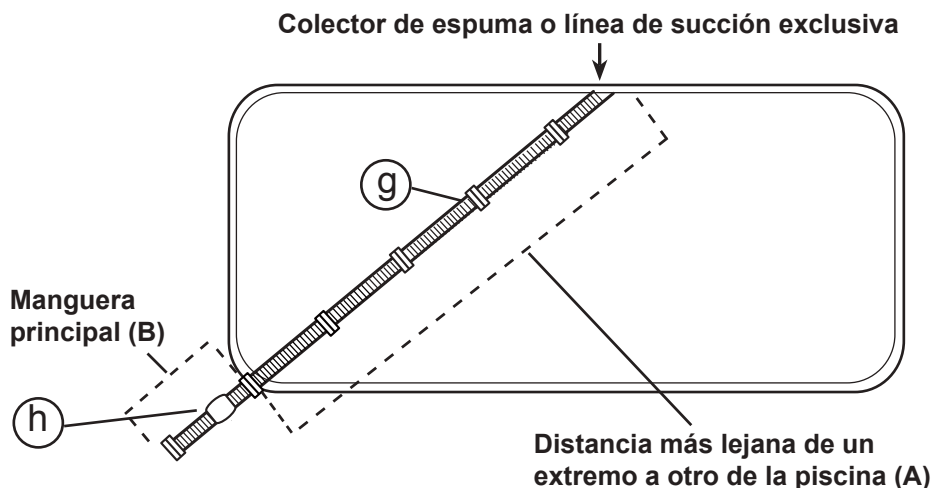


Figura 5

Longitud total requerida de la manguera = (A) Distancia más lejana de un extremo a otro de la piscina + (B) manguera principal

PASO 5. Conectar el limpiafondo

1. Conecte la válvula del regulador de caudal (e) a la manguera principal (h). La manguera principal es la sección de la manguera con flotador de espuma prearmado (figura 6).
2. Sumerja la manguera y llénela de agua (sin que queden burbujas visibles).
3. Sumerja el limpiafondo y llénelo de agua (sin que queden burbujas visibles).
4. Conecte la manguera al cabezal del limpiafondo empujando la válvula reguladora de caudal (e) hacia el limpiafondo (figura 7).
5. Deje que el limpiafondo se hunda hasta el fondo de la piscina.
6. Encienda la bomba del filtro de la piscina.

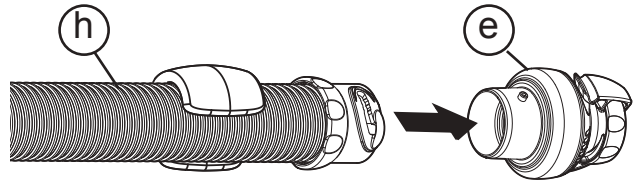
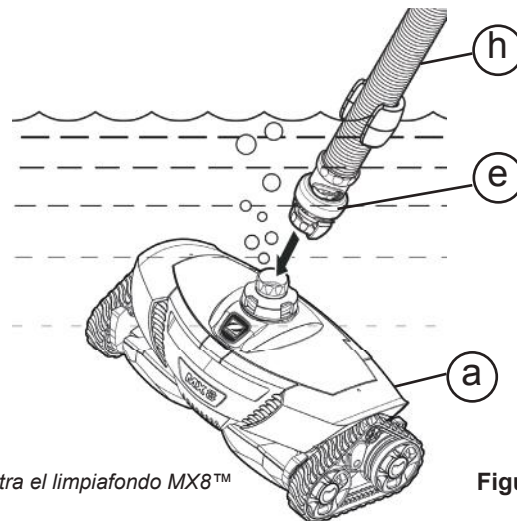


Figura 6



Se muestra el limpiafondo MX8™

Figura 7

PASO 6. Comprobar que el caudal sea adecuado

⚠ ADVERTENCIA

Para evitar lesiones graves, asegúrese de apagar la bomba de succión responsable del funcionamiento del limpiafondo. No exponga el cabello, prendas holgadas sueltas, joyas, etc. al extremo abierto de la manguera.

La válvula del regulador de caudal está diseñada para limitar constantemente el caudal alto de agua a través del limpiafondo. Cuando el caudal es el correcto, los componentes del limpiafondo son menos susceptibles a daños y su vida útil puede extenderse. La velocidad de rotación de las ruedas es un buen indicador de cómo fluye el agua a través del limpiafondo. Al revisar la correcta sincronización de la rotación de la rueda, puede verificar que el limpiafondo opere a su máxima eficiencia.

Mida el tiempo de rotación de las ruedas:

1. Encienda la bomba del filtro de la piscina.
2. Obtenga un cronómetro o temporizador.
3. Dejando la bomba encendida y con agua pasando por el limpiafondo, llévelo a la superficie del agua y sumérjalo justo debajo de la línea del agua (de modo que quede totalmente sumergido).
4. Ubique el indicador amarillo de velocidad de las ruedas en la rueda derecha trasera (Figura 8).

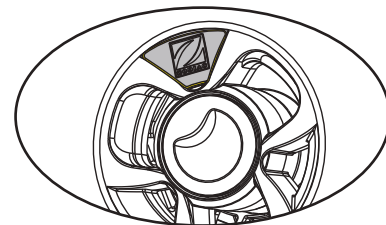


Figura 8

5. Observe cuántos segundos se requieren para completar 10 giros. Si las ruedas cambian de dirección durante el conteo de giros, espere y reinicie su conteo.

Si el conteo está dentro de 20-25 segundos, no se requiere ajuste.

- **20 - 25 segundos --- caudal óptimo**

PASO 7. Ajuste el caudal hacia el limpiafondo (si es necesario)

1. Determine si el caudal del limpiafondo es adecuado o si debe ajustarse.

Si el conteo es:

- **26 - 50 segundos --- Aumentar caudal (+)** --- el limpiafondo se mueve demasiado lento y necesita caudal adicional

- **10 - 19 segundos --- Disminuir caudal (-)** --- el limpiador se mueve demasiado rápido y podría dañarse

2. Para incrementar o disminuir el caudal, ajuste las válvulas en la plataforma del equipo

○

ajuste la válvula FlowKeeper™ en el colector de espuma hacia arriba o hacia abajo (vea la figura 9).

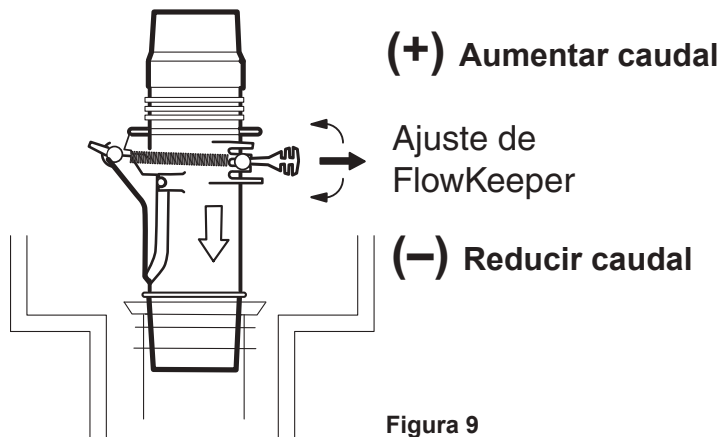


Figura 9

Operación y mantenimiento

Operación diaria

El limpiafondo se enciende/apaga en ciclos con la bomba de filtrado de la piscina, aspirando y limpiando todas las superficies al azar en toda la piscina. La capacidad de ascenso del limpiafondo depende de la forma de la piscina y del caudal de agua disponible. Si el limpiafondo no sube las paredes de la piscina, asegure que el caudal sea correcto verificando la velocidad de la rueda. Además, asegúrese de que la superficie de la piscina no esté cubierta de algas ya que una superficie resbalosa afectará la tracción.

Durante cada ciclo del patrón de cobertura, el limpiafondo viaja hacia delante y hacia atrás, y gira a la derecha y a la izquierda. Las turbinas debajo del limpiafondo crean fuerzas en sentido vertical que le permiten al dispositivo ascender y le confieren estabilidad, además de canalizar los residuos hacia la boca del limpiafondo. (En los limpiadores MX8™ Elite, las escobillas de fregar también hacen contacto con el piso de la piscina para agitar y remover los residuos pequeños atascados.)

Modos de aspiración del limpiafondo MX8™ / MX8™ Elite

Su limpiador Zodiac está diseñado para funcionar con dos opciones de vacío:

- **Residuos pequeños (ajuste de fábrica):** Para aspirar residuos pequeños y gruesos, como arena, sedimento y piedras pequeñas. El limpiafondo de piscinas se envía de fábrica en este modo.
- **Residuos grandes:** para aspirar residuos grandes como hojas. Se recomienda que regrese el limpiador al ajuste de fábrica para pequeños residuos después de la limpieza de residuos grandes.

⚠ ADVERTENCIA

Para evitar lesiones graves, asegúrese de que el limpiafondo esté desconectado de la manguera y que la bomba de succión utilizada para el limpiafondo esté apagada antes de iniciar esta operación.

Para convertir al modo de limpieza de residuos grandes:

1. Sujete el adaptador de entrada amarillo e inserte un dedo en el orificio del adaptador (figura 10).
2. Levante el borde trasero del adaptador de entrada y luego sáquelo de la entrada de vacío.

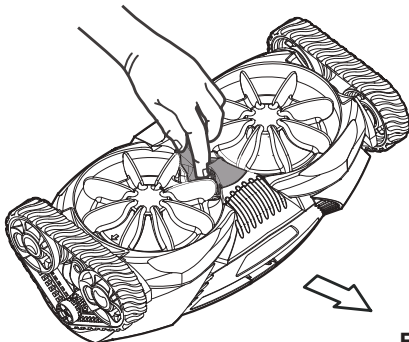


Figura 10

Para convertir de vuelta al modo de limpieza de residuos pequeños:

1. Coloque el adaptador de entrada amarillo en la entrada de vacío del limpiafondo de piscinas.
2. Empuje el adaptador de entrada amarillo hasta que los bordes delantero y trasero se enganchen en su posición correcta.

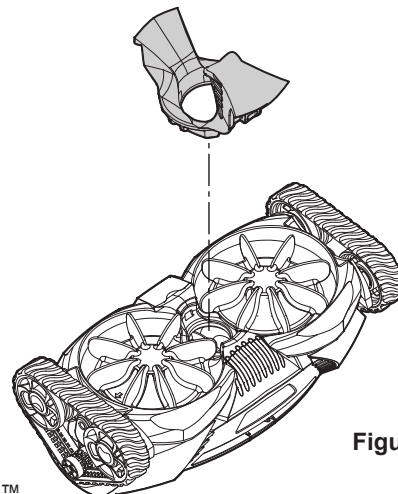


Figura 11

Se muestra el limpiafondo MX8™

Mantenimiento de rutina

Para asegurar el correcto funcionamiento y extender la vida útil de su limpiafondo:

1. Vacíe la canasta de la bomba con frecuencia

Para que el limpiador funcione con su máxima eficiencia, vacíe la canasta de la bomba con frecuencia. Cuanta más basura haya en la piscina, más se deberá limpiar la canasta de la bomba.

NOTA: Zodiac ofrece un recolector de hojas lineal, el cual atrapa los residuos sólidos antes de que entren a la canasta de la bomba. Consulte los detalles con su concesionario de Zodiac.

2. Quitar residuos del motor

⚠ ADVERTENCIA

Para evitar lesiones graves, asegúrese de que el limpiafondo esté desconectado de la manguera y que la bomba de succión utilizada para el limpiafondo esté apagada antes de iniciar esta operación.

1. Oprima el botón de liberación del seguro en la parte superior del limpiafondo (figura 12).
2. Gire el ensamble superior hacia atrás hasta que se enganche en posición hacia arriba.
3. Examine el motor y quite los residuos presentes.
4. Si es necesario, empuje con lentitud las paletas del motor hacia delante y/o hacia atrás para mover los residuos atascados a una posición accesible y poder quitarlos. Cuando mueva las paletas del motor, asegúrese de que los rieles del motor se puedan mover libremente ya que son los que permitirán que las paletas giren.
5. Cierre la parte superior del motor y asegúrese de que el seguro enganche en su posición correcta.

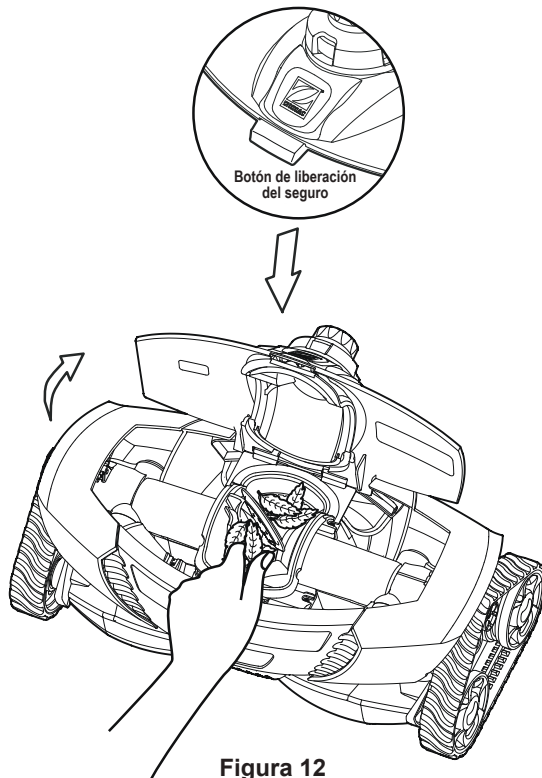


Figura 12
Se muestra el limpiafondo MX8™

3. Haga un lavado contracorriente del filtro de la piscina

Siempre desconecte el limpiafondo de la pared de la piscina o del colector de espuma si va a limpiar o a hacer lavado contracorriente del filtro de la piscina. Luego de limpiar o de hacer lavado contracorriente, haga funcionar el sistema de filtrado durante al menos cinco (5) minutos para vaciar las líneas de succión antes de volver a conectar el limpiafondo.

4. Agregar químicos

Quite el limpiafondo de la piscina por lo menos cuatro (4) horas antes de aplicar tratamientos con agentes químicos.

5. Reemplace las escobillas con regularidad (MX6™ Elite, MX8™ Elite)

Para mantener una limpieza óptima, se recomienda reemplazar las escobillas para fregar del MX8 Elite cada temporada o cuando se observe un desgaste considerable (figura 13). Para quitar las escobillas, apriete el broche de plástico amarillo entre dos dedos y sáquelo. El tipo de superficie de la piscina también puede incrementar la tasa de desgaste de las escobillas.

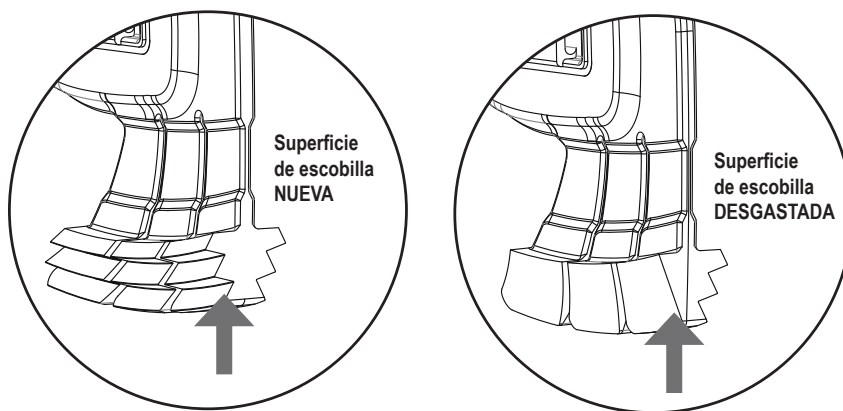


Figura 13

6. Almacenamiento

Nunca guarde el limpiafondo en un lugar donde le dé la luz del sol directa. No enrolle la manguera, ni siquiera por poco tiempo. La manguera puede adoptar una serie de posiciones y dobleces capaces de afectar el desempeño del limpiafondo. Almacene el limpiafondo de lado o sobre su parte trasera para evitar dañar la turbina (todos los modelos) y las escobillas (MX8 Elite), vea la figura 14.

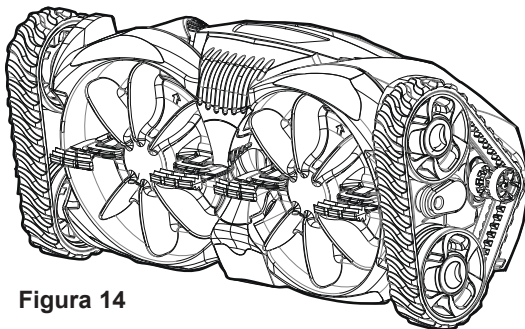


Figura 14

Se muestra el limpiafondo MX8™

7. Acondicionamiento para el invierno

Antes de almacenar para el invierno, drene toda el agua (el daño por congelamiento no está cubierto por la garantía). Quite todos los conectores y adaptadores de la línea de succión exclusiva o del colector de espuma. Desensamble las mangueras y tiéndalas en posición horizontal.

Diagnóstico y localización de averías

Si tiene algún problema con su limpiafondo MX, por favor siga los pasos del diagnóstico y localización de averías a continuación para restablecer el funcionamiento normal. Si necesita más ayuda, contáctese con el Departamento de soporte técnico de Zodiac llamando al (800) 822-7933.

Problema	Solución
El limpiafondo no se mueve o se mueve lentamente.	<ul style="list-style-type: none"> • Confirme que el drenaje principal esté cerrado. • Revise la velocidad de la rueda para verificar el caudal correcto. Consulte la sección, "Comprobar que el caudal sea el adecuado". • Revise si alguno de los dientes interiores de las orugas están desgastados. De ser así, contacte a su concesionario para obtener orugas de reemplazo. • Haga un lavado a contracorriente del filtro y vacíe la canasta de la bomba. • Revise que no haya residuos atascados en el motor. Consulte la sección, "Quitar los residuos del motor". • (MX8™/MX8™ Elite) Cambie el limpiafondo al modo de limpieza de residuos grandes. Consulte la sección, "Modos de aspiración del limpiafondo MX8/MX8 Elite". • Revise si hay aire en el sistema. Si disminuye el nivel de agua en la canasta de la bomba o si ve demasiadas burbujas de aire en la canasta de la bomba que provienen de las líneas de retorno, significa que hay aire en el sistema. Verifique las conexiones de la manguera, apriete todos los aditamentos a la bomba y verifique que la junta tórica de la canasta de la bomba no esté desgastada. • Revise la válvula del regulador de caudal para asegurarse de que pueda moverse libremente con el caudal de agua.
El patrón del limpiafondo no cubre toda la piscina.	<ul style="list-style-type: none"> • Confirme que la longitud de la manguera sea adecuada para su piscina. Consulte la sección, "Determinar la longitud correcta de la manguera". • Cuento las rotaciones de la rueda para comprobar que el caudal sea adecuado. Consulte la sección, "Comprobar que el caudal sea el adecuado". Ajuste el caudal de ser necesario. • Compruebe que las conexiones de la línea de retorno se dirijan hacia abajo. Agregue un desviador de retorno de ser necesario. • Asegúrese de que la manguera no esté enrollada ni enroscada. De ser necesario, extiéndala y deje que le dé el sol para estirla. • Compruebe que el flotador de manguera esté colocado aproximadamente a 9" del cabezal del limpiador. • (MX8/MX8 Elite) Observe el limpiafondo por más de cinco (5) minutos y compruebe que la oruga de tracción esté invirtiendo su dirección en forma periódica. De no ser así, contacte al concesionario o al centro de servicio para obtener ayuda.
El limpiafondo se queda trabado en los escalones.	<ul style="list-style-type: none"> • (MX8/MX8 Elite) Observe el limpiafondo por más de cinco (5) minutos y compruebe que cada oruga de tracción esté invirtiendo su dirección en forma periódica. De no ser así, contacte a su concesionario o centro de servicio para obtener ayuda. • Asegúrese de que el eje en la parte superior del limpiafondo gire libremente. • Cuento las rotaciones de la rueda para comprobar que el caudal sea adecuado. Consulte la sección, "Comprobar que el caudal sea el adecuado". Ajuste el caudal de ser necesario. • Confirme que la longitud de la manguera sea adecuada para su piscina. Consulte la sección, "Determinar la longitud correcta de la manguera".
El limpiafondo no asciende por las paredes. Consulte la sección,	<ul style="list-style-type: none"> • Cuento las rotaciones de la rueda para comprobar que el caudal sea adecuado. "Comprobar que el caudal sea el adecuado". Ajuste el caudal de ser necesario. • Compruebe que el flotador de manguera esté colocado aproximadamente a 9" del limpiafondo.
El limpiafondo está anclado en el costado.	<ul style="list-style-type: none"> • Compruebe que el flotador de manguera esté colocado aproximadamente a 9" del limpiafondo.

Zodiac Pool Systems LLC

2620 Commerce Way, Vista, CA 92081

1.800.822.7933 | www.ZodiacPoolSystems.com

Zodiac Pool Systems Canada, Inc.

2-3365 Mainway, Burlington, Ontario L7M 1A6 Canada

1.888.822.400 | www.ZodiacPoolSystems.ca

*ZODIAC® is a registered trademark of Zodiac International, S.A.S.U., used under license.
All trademarks referenced herein are the property of their respective owners.*

*ZODIAC® est une marque déposée de Zodiac International, S.A.S.U., utilisée sous licence.
Toutes les autres marques citées sont la propriété respective de leur propriétaire.*

*ZODIAC® es una marca registrada de Zodiac International, S.A.S.U., usada bajo licencia.
Todas las otras marcas registradas usadas aquí pertenecen a sus propietarios.*

©2018 Zodiac Pool Systems LLC. H0539800 Rev B

