

## QUICK REFERENCE GUIDE

# Hayward Variable Speed Pump

**Default Speeds - NOTE: Factory default speeds are adjustable through configuration**

1150 rpm

1725 rpm

2300 rpm

2875 rpm



**\*Max allowed speed for 60 mins, press again up to 6 hrs**

**3450 rpm\***

## Configuration Menu

- » Push **MENU** until **Configuration Menu Locked** appears, then hold down **<** & **>** until you see: **Press > to enter**
- » Press **>** to advance, **<** to back up
- » Press **+** to edit items, flashing items are changed using the **+** or **-**

## Timers Menu - Stand Alone

- » Push **MENU** until **Timers Menu Press > to enter** appears, then press **>**
- Timer1 1725rpm 12:00a to 11:45p 7D** use **+** to modify
- » Push **+** to change timer name, then press **>** to advance
- » Next set Timer speed **Timer1 1725rpm +/- adjust: times>** use **+** / **-** then press **>**
- » **Timer1 1725rpm 12:00a to 11:45p** use **+** / **-** to modify start time, then **>** to adjust end
- » Push **>** to view schedule days, use **+** / **-** to modify, then **>** to review
- » Repeat this process until all desired timers are set
- » To save changes, press **MENU** to exit, and then **+** to save

# QUICK REFERENCE GUIDE

## Connecting Pump to Hayward Automation

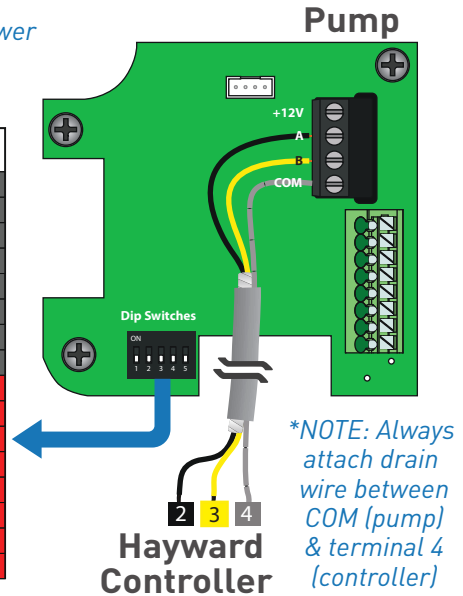
*Consult controller manual for compatibility AND to select appropriate pump address*

1. Connect with 18 gauge (300V), two conductor, shielded cable
  - » Existing user interface wiring connection (if present) should be unplugged & second terminal block connector should be used to make comm wiring connection
- \*2. Set pump DIP switches to match automation system configuration

**\*NOTE: If connecting pump to an OmniLogic or VS Omni, omit step 2 (shown above); instead, follow 2b-2d (shown below):**

*Note: Pump should be wired to line side power*

Dip Switches					
PUMP ADDRESS	#1	#2	#3	#4	#5
Pool Filter					
Aux 1 / Spa Filter		ON			
Aux 2			ON		
Aux 3		ON	ON		
Aux 4				ON	
Aux 5		ON		ON	
Aux 6			ON	ON	
Aux 7		ON	ON	ON	
Aux 8					ON
Aux 9		ON			ON
Aux 10			ON		ON
Aux 11		ON	ON		ON
Aux 12				ON	ON
Aux 13		ON		ON	ON
Aux 14			ON	ON	ON
Lights Button		ON	ON	ON	ON



2b. Set all pump DIP switches to the down/off position

2c. Locate the HUA (Hayward Unique Address)

» The HUA is logged on a label residing in pump's wiring compartment, record and go to step 2d

2d. When programming the pump through OmniLogic, select the HUA that matches the HUA number found on the pump

[www.hayward.com](http://www.hayward.com) or call 1-844-365-6442

Hayward is a registered trademark of Hayward Industries, Inc. © 2018 Hayward Industries, Inc.

QR63206VSP (Rev C)

