

TYPE EP37--

Owner's Manual

ENGLISH | FRANÇAIS | ESPAÑOL

FCC Statement

This device complies with Part 15 of the FCC Rules and IC licence-exempt RSS standard. Operation is subject to the following two conditions: (1) this device may not cause harmful interference, and (2) this device must accept any interference received, including interference that may cause undesired operation.

NOTE: This equipment has been tested and found to comply with the limits for a Class B digital device, pursuant to part 15 of the FCC Rules. These limits are designed to provide reasonable protection against harmful interference in a residential installation. This equipment generates, uses and can radiate radio frequency energy and, if not installed and used in accordance with the instruction, may cause harmful interference to radio communications. However, there is no guarantee that interference will not occur in a particular installation. If this equipment does cause harmful interference to radio or television reception which can be determined by turning the equipment off and on, the user is encouraged to try to correct interference by one or more of the following measures:

- Reorient or relocate the receiving antenna.
- Increase the separation between the equipment and receiver.
- Connect the equipment into an outlet on circuit different from that to which the receiver is connected.
- Consult the dealer or an experienced radio/TV technician for help.

CAUTION

Any changes or modifications not expressly approved by the part responsible for compliance could void the user's authority to operate the equipment.

NOTE: This device complies with FCC and IC RF radiation exposure limits set forth for general population. This device must be installed to provide a separation distance of at least 20cm from all persons and must not be co-located or operating in conjunction with any other antenna or transmitter.

Under Industry Canada regulations, this radio transmitter may only operate using an antenna of a type and maximum (or lesser) gain approved for the transmitter by Industry Canada. To reduce potential radio interference to other users, the antenna type and its gain should be so chosen that the equivalent isotropically radiated power (e.i.r.p.) is not more than that necessary for successful communication.

WARNING

FOR YOUR SAFETY - For anything other than the routine cleaning and maintenance described in this manual, this product must be serviced by a contractor who is licensed and qualified in pool equipment by the jurisdiction in which the product will be installed where such state or local requirements exist. In the event no such state or local requirement exists, the maintainer must be a professional with sufficient experience in pool equipment installation and maintenance so that all of the instructions in this manual can be followed exactly. Improper installation and/or operation will void the warranty.

THANK YOU FOR PURCHASING THIS POLARIS CLEANER.
 YOUR POLARIS ROBOTIC CLEANER HAS BEEN DESIGNED AND MANUFACTURED TO BE EASILY
 INSTALLED AND TO PROVIDE LOW MAINTENANCE OPERATION. PRIOR TO INSTALLING YOUR NEW
 POLARIS CLEANER, PLEASE DO THE FOLLOWING:

- 1) Complete and return the warranty card.
- 2) Record your purchase information on the spaces provided below.
- 3) Attach your invoice (or a copy) to this page.

Taking these steps will help ensure prompt warranty service, should it be required. If service is required, please contact your original dealer. If the original dealer does not perform warranty service, please visit www.polarispool.com to locate an independent service company near you. If you are unable to locate a service company, please call our Technical Support department at 1-800-822-7933.

RECORD YOUR POLARIS CLEANER DATA HERE:

Date of Purchase _____ Purchased From _____ Serial Number: _____
(located on robot- head)
 City _____ State/Province _____ Zip/Postal Code _____

Table of Contents

<p>1 Important Safety Instructions 4</p> <p>2 Cleaner Specifications..... 5</p> <p>General Specifications..... 5</p> <p>3 Assembly 6</p> <p>Contents 6</p> <p>Connect to a Power Source..... 6</p> <p>4 General Cleaner Operation..... 8</p> <p>Install and Submerge the Cleaner 9</p> <p>Start / Stop Cleaning 10</p> <p>Remove from the Pool..... 11</p> <p>Clean the Filter Canister..... 12</p> <p>Store the Cleaner When Not in Use 14</p>	<p>5 Maintenance 14</p> <p>Cord Tangling 14</p> <p>Replacing Wear Parts..... 17</p> <p>Replacing the Track..... 18</p> <p>Spare Parts..... 19</p> <p>6 Troubleshooting..... 20</p> <p>Using the Information LED 20</p> <p>General Troubleshooting 21</p>
---	--

1 Important Safety Instructions

Congratulations on purchasing this Polaris Robotic Cleaner. Please read through the entire manual before installing your new robotic pool cleaner. Your cleaner must be installed and operated as specified.

English

WARNING

Failure to comply with the following warnings can result in permanent injury, electrocution or death.

PREVENT ELECTRICAL SHOCK

To reduce risk of electrical shock:

- Connect unit to receptacle protected by a ground fault circuit interrupter (GFCI). Such a GFCI receptacle should be provided by a qualified installer and should be tested on a routine basis. To test the GFCI, push the test button. The GFCI should interrupt power. Push the reset button. Power should be restored. If the GFCI fails to operate in this manner, the GFCI is defective. If the GFCI interrupts power to the pump without the test button being pushed, a ground current is flowing, indicating the possibility of an electric shock. Do not use this product. Disconnect the cleaner and have the problem corrected by a qualified service representative before using.
- Per the United States National Electrical Code® (NEC®), keep the control unit at least five (5) feet from the edge of the (pool/spa) water. In Canada, the Canadian Electrical Code (CEC) requires a minimum distance of 3m (10 ft.) to be maintained between the pool edge and the control unit. Never submerge the control unit.
- Do not enter pool while the Polaris cleaner is in water.
- Do not bury cord. Locate cord so as to prevent it from being damaged by lawn mowers, hedge trimmers and other equipment.
- To reduce the risk of electrical shock, do not use the Polaris robotic cleaner or control unit if the cord is worn or damaged. Contact Zodiac Pool Systems LLC Technical Support immediately for proper servicing and replacement of the damaged cord.
- Double insulation—For continued protection against possible electric shock, use only identical replacement parts when servicing. Do not attempt repair of the Polaris robotic cleaner, control unit, power cord, or floating cable.
- NEVER OPEN CONTROL UNIT.
- DO NOT USE AN EXTENSION CORD TO CONNECT THE UNIT TO ELECTRIC SUPPLY; PROVIDE A PROPERLY LOCATED GFCI RECEPTACLE. THE CONTROL UNIT SHOULD BE PLUGGED INTO THE GFCI RECEPTACLE BOX.

PREVENT CHILD INJURY AND DROWNING

- To reduce the risk of injury, do not permit children to operate this product.
- Do not let anyone, especially small children, sit, step, lean, or climb on any equipment installed as part of your pool's operational system.



SAVE THESE INSTRUCTIONS

⚠ CAUTION

Failure to comply with the following warnings could cause damage to pool equipment or personal injury.

- The Polaris cleaner must be installed and operated as specified.
- This product is intended for use with permanently-installed pools. Do not use with storable pools. A permanently-installed pool is constructed in or on the ground or in a building such that it cannot be readily disassembled for storage. A storable pool is constructed so that it is capable of being readily disassembled for storage and reassembled to its original integrity.
- Clean the filter canister in the Polaris cleaner after each use.
- Do not use the product in your pool if the water temperature is above 95° F (35° C) or below 55° F (13° C).

USE OF THE POLARIS ROBOTIC CLEANER IN A VINYL LINER POOL

- Certain vinyl liner patterns are particularly susceptible to rapid surface wear or pattern removal caused by objects coming into contact with the vinyl surface, including pool brushes, pool toys, floats, fountains, chlorine dispensers, and automatic pool cleaners. Some vinyl liner patterns can be seriously scratched or abraded simply by rubbing the surface with a pool brush. Ink from the pattern can also rub off during the installation process or when it comes into contact with objects in the pool. Zodiac Pool Systems LLC is not responsible for, and the Limited Warranty does not cover, pattern removal, abrasion or markings on vinyl liners.

2 Cleaner Specifications

General Specifications

The general specifications for the cleaner are as follows:

Control box supply voltage	100-240 VAC, 50-60 Hz
Cleaner Supply voltage	30 V DC
Installed load	100 W max
Cable length	Above-Ground - 45ft (14m) In-Ground - 54ft (16.4m)
Cleaner size (WxDxH)	14.5 x 11.4 x 11.8 in. (37 x 29 x 30 cm)
Weight of Cleaner	15.4 lbs. (7 kg)
Filtration	All-purpose filter canister
Cycle lengths	2 hours for Above-Ground pool cycle 2.5 hours for In-Ground pool cycle

The cleaner is a double-insulated product. A double-insulated electrical appliance is one which has been designed in such a way that it does not require a safety connection to ground. The basic requirement for double-insulation is that no single failure can result in dangerous voltage becoming exposed so that it might cause an electric shock and that this is achieved without relying on an earthed (grounded) metal casing. This is achieved by having two (2) layers of insulating material surrounding live parts or by using reinforced insulation. Therefore, devices having double-insulated construction, such as this cleaner, do not use a grounded (three-prong) cord/plug.

3 Assembly

Contents



The packaging should contain the following items:

- Robotic cleaner and floating cable
- Control unit
- Control unit base
To protect the control unit from possible damage (which could lead to injury or property damage), always secure the control unit to the control unit base during operation and storage.
- Caddy (select models)

When unpacking the cleaner and its components:

- Check to make sure each component is in the box.
- Check cleaner and components for damage during transport.
- If there are any missing parts or damage, contact Technical Support at 1-800-822-7933.

Connect to a Power Source

WARNING

Failure to comply with the following warnings can result in permanent injury, electrocution or drowning.

PREVENT ELECTRICAL SHOCK

- **U.S.:** Per NEC® requirements, keep the control unit at least five (5) ft. (1.5 m) from the edge of the pool. **CANADA:** Per CEC requirements, keep the control unit at least three (3) m (10 ft.) from the edge of the pool.
- Only connect the control unit to a receptacle protected by a ground fault circuit interrupter (GFCI). Contact a certified electrician if you cannot verify that the receptacle is protected by a GFCI.
- Do not use an extension cord to connect the control unit.
- Do not allow anyone to swim while the cleaner is in the pool.
- The control unit is water-resistant, not waterproof. In order to prevent electrocution, never submerge the control unit or leave exposed to inclement weather.

1. Seat the control unit firmly in the control unit base (Figure 1).

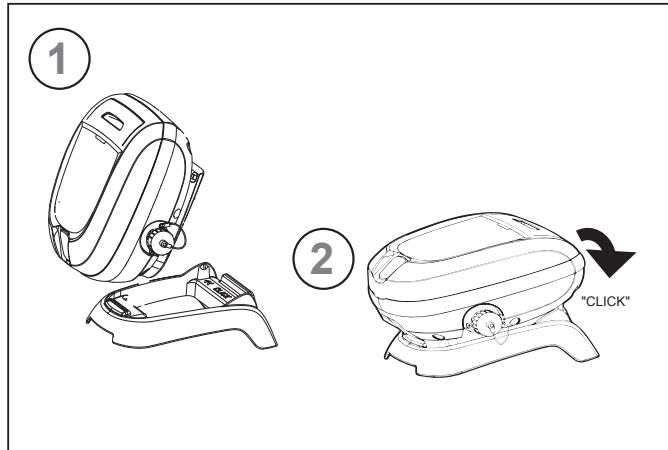


Figure 1. Connect Control Unit Base

2. Unscrew the protective cap for the floating cable from the side of the control unit by turning counter-clockwise (Figure 2).

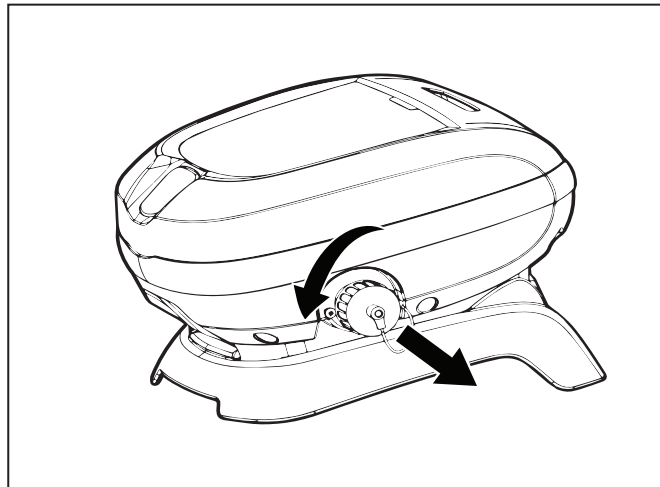


Figure 2. Remove Protective Cap

3. Align the notch in the floating cable connector with the key in the control unit, engage then turn clockwise to tighten (Figure 3).

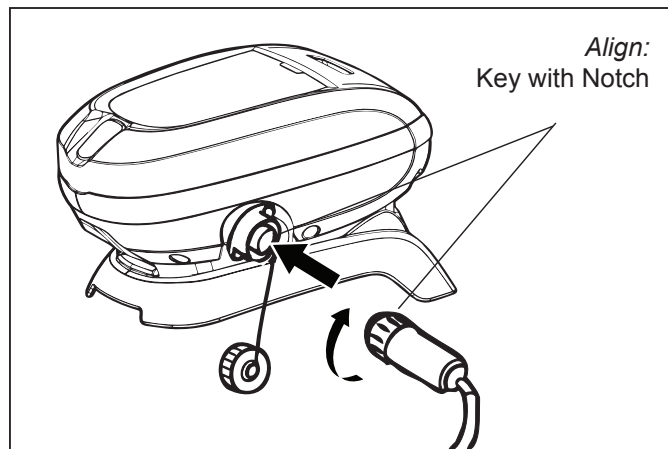


Figure 3. Connect Floating Cable

4. For products with caddy included, see separate caddy assembly sheet.

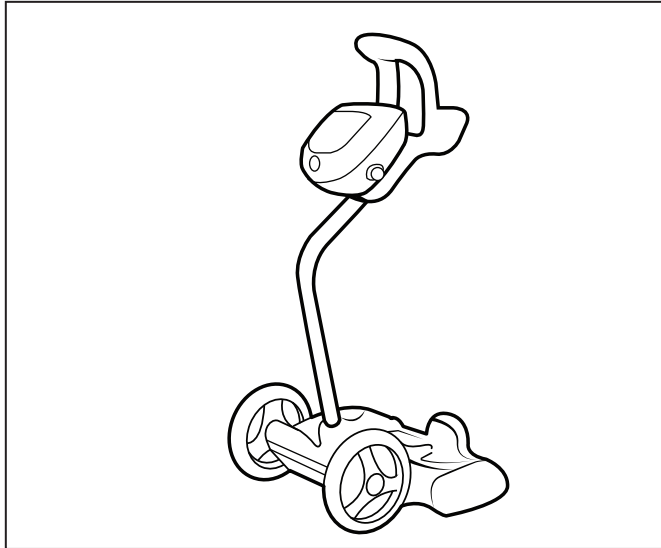
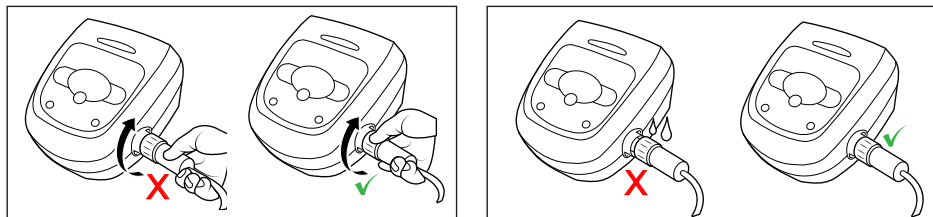


Figure 4. Caddy (Optional)

5. Plug the control unit directly into a GFCI outlet. **DO NOT** use an extension cord.

NOTE: To avoid damaging the power cable, do not try to twist the entire cable housing (see below).

NOTE: To avoid exposing the power cable connector pins to water, be sure the connector is screwed in all the way and there is no gap. (see below).



4 General Cleaner Operation

⚠ CAUTION

To prevent damage to the cleaner, be sure to adhere to the following guidelines:

- Remove the cleaner from the pool after the cleaning cycle is completed.
- Store cleaner out of direct sunlight or inclement weather.
- Never lift the cleaner out of the pool by the floating cable.
- Take additional care when lifting the cleaner out of the pool. It becomes heavier when filled with water.
- Always remove the cleaner from pool before super chlorinating or adding acid.
- Do not handle cleaner while it is in operation.

IMPORTANT

- Always make sure the cleaner head is fully submerged before you begin operation.
- Clean the filter canister after each cleaning cycle.
- Do not leave your cleaner in the pool on a permanent basis.
- At the end of each cycle, remove the cleaner from the pool.
- Start at the cleaner head and untangle any coils in the cable before storing the cleaner.

The Polaris robotic cleaner includes a safety feature that automatically stops the cleaner if it is powered on but not submerged in water. For pools equipped with a beach area, this safety feature is programmed to drive the cleaner in reverse and back into the pool when the impeller is out of the water.

Install and Submerge the Cleaner

1. With the control box plugged into a GFCI outlet, spread the floating cable across the pool deck until you reach the middle of the pool length.
2. Submerge cleaner vertically (1) and hold it under the surface, moving gently from side to side (2) until the bubbles stop to remove any air trapped inside (Figure 5).
3. When the bubbles stop, allow the cleaner to sink to the bottom of the pool.
4. Verify the cleaner is sitting on the bottom of the pool. Remove additional air if the cleaner is still floating.

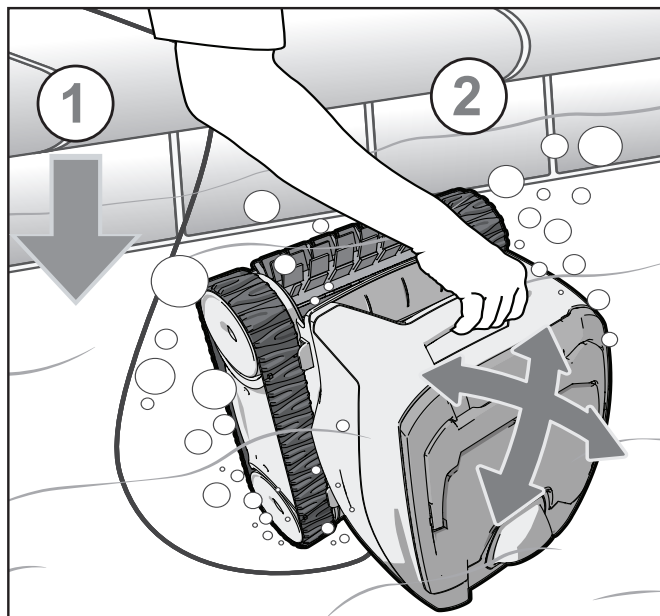
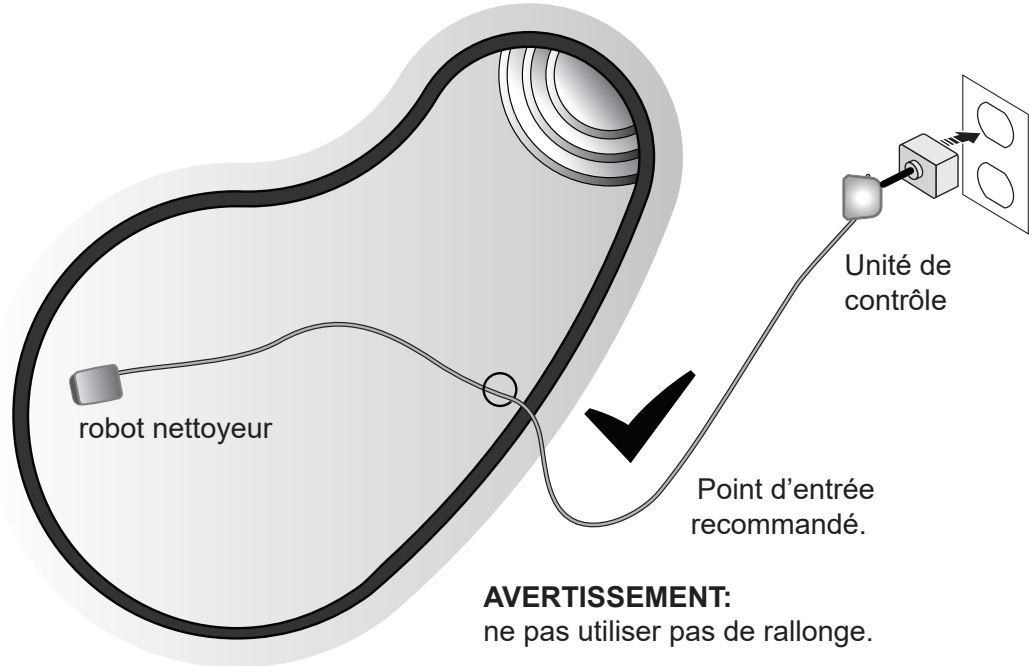


Figure 5. Submerge and Remove Trapped Air

NOTE: For optimal patterning and reduced tangling, the floating cable should enter the water at the recommended entry point (see Figure 6).

Figure 6. Pool Entry Point for Optimal Patterning



Start / Stop Cleaning

Press Start/Stop button to begin or interrupt cleaner operation (Figure 7).

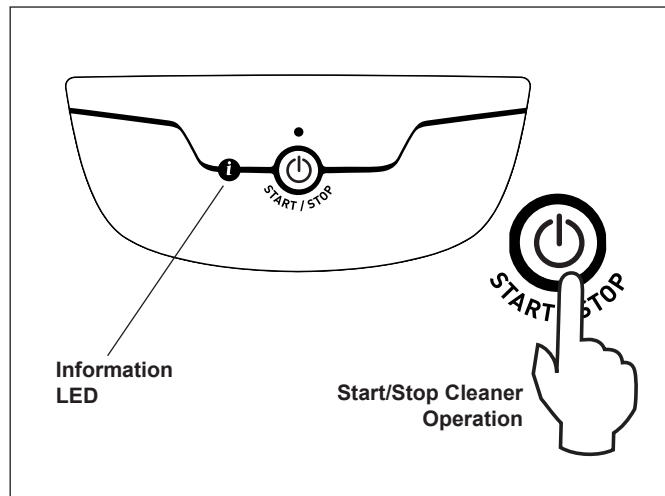


Figure 7. Cleaner Control Unit

Remove from the Pool

1. Gently pull the floating cable to bring the cleaner within arm's reach.
2. Use the handle to lift the cleaner from the water (Figure 8).
Never lift the cleaner out of the pool by the floating cable.
3. Hold the cleaner vertically over the pool surface to drain water before removing (Figure 9).

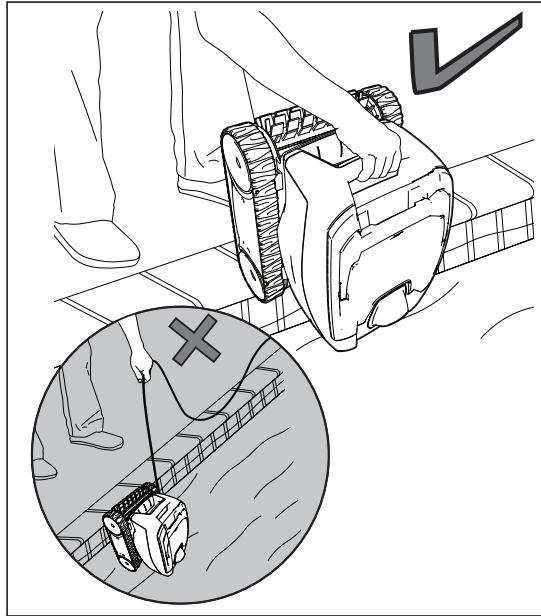


Figure 8. Lift Cleaner From Pool with Handle

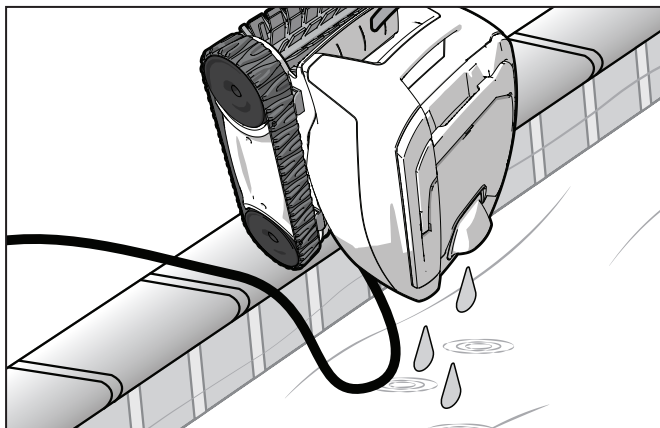


Figure 9. Drain Water from the Cleaner

Clean the Filter Canister

Empty the canister as soon as the cycle ends.

WARNING

To avoid electric shock and other hazards which could result in permanent injury or death, disconnect (unplug) the cleaner from the power source before performing any cleaning and maintenance.

1. Unplug power to the cleaner at the control unit. Unplug the control unit from the power source.
2. Pull up to release the filter canister handle (Figure 10).

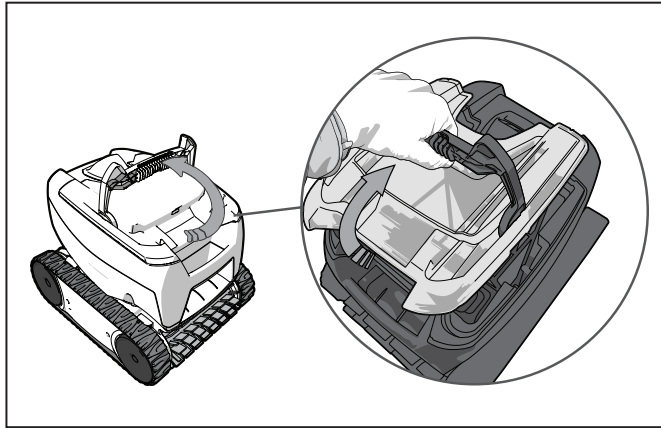


Figure 10. Release Filter Canister Handle

3. Grasp the handle and lift up to remove the filter canister (Figure 11).

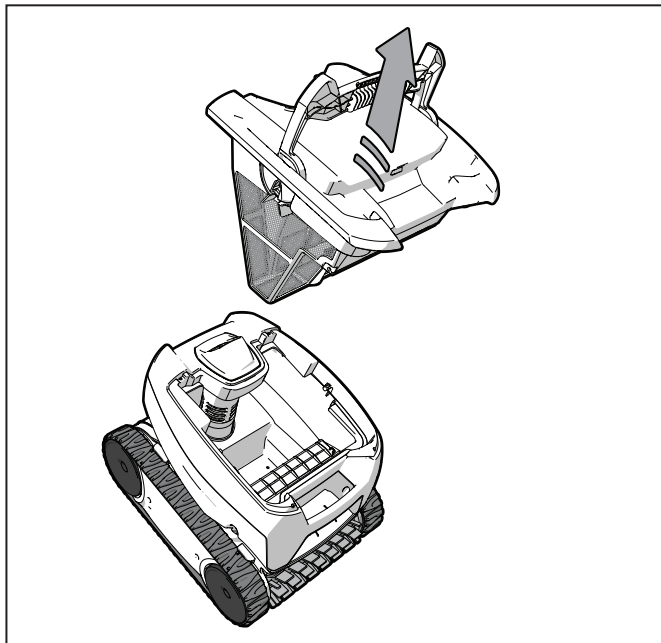


Figure 11. Remove the Filter Canister

4. Press the interior latch and remove the filter canister lid (Figure 12).

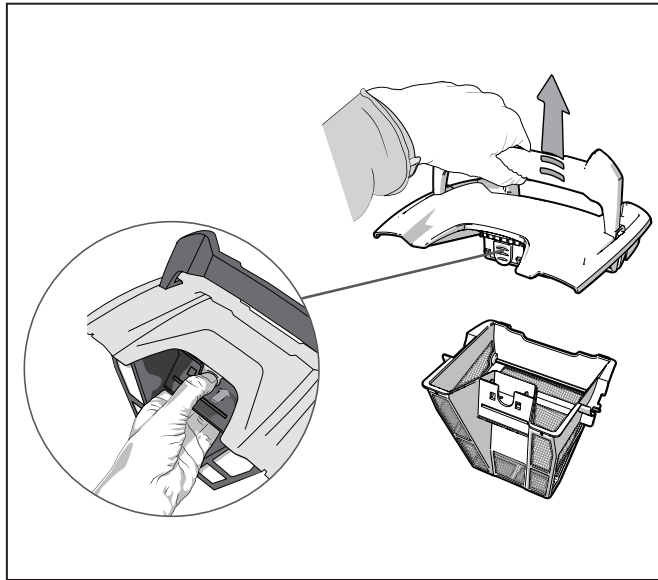


Figure 12. Remove Filter Canister Lid

5. Using a hose with clean water, rinse the filter canister and lid to remove all debris (Figure 13).

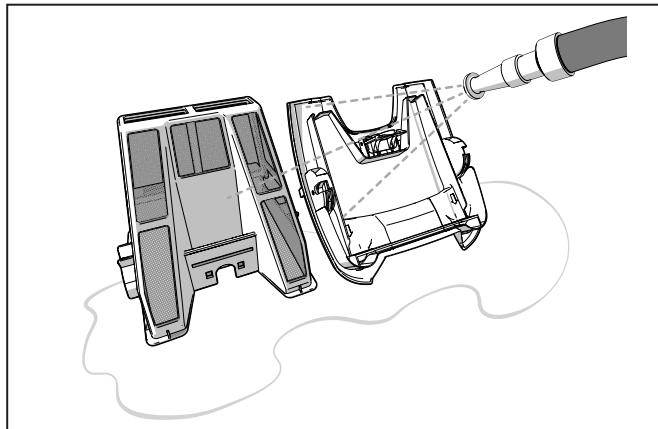


Figure 13. Rinse the Filter Canister

6. Replace lid on the canister and then replace canister back into the cleaner body.
7. Plug the power cord back into the control unit and store the cleaner out of direct sunlight for next use.

Store the Cleaner When Not in Use

The cleaner must be cleaned regularly using slightly soapy clean water. Do not use solvents such as trichlorethylene or its equivalent. Rinse the cleaner generously using clean water. Do not let your cleaner dry in direct sunlight near the pool.

1. Disconnect cleaner from the power source.
2. Starting at the cleaner head, remove all coils and tangles from the floating cable (Figure 14). Lay the cable in the sun to loosen any tangling memory.
3. Disconnect the cable from the control unit. Replace the protective cap on the control unit.

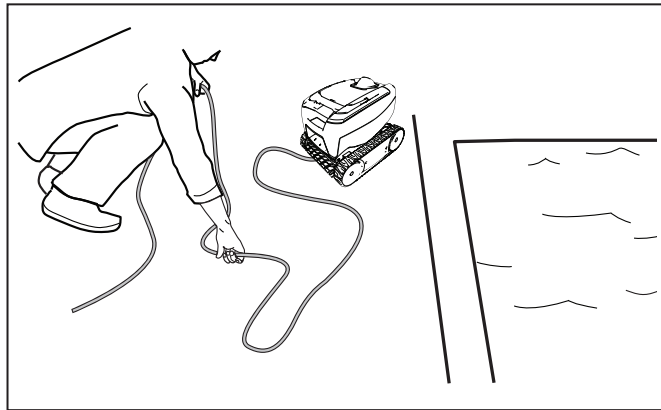


Figure 14. Untangle the Floating Cable

4. Loosely coil the floating cable starting at the cleaner and moving toward the connection point at control unit.

5 Maintenance

WARNING

To avoid electric shock and other hazards which could result in permanent injury or death, disconnect (unplug) the cleaner from the power source before performing any cleaning and maintenance.

Cord Tangling

For optimal patterning and reduced tangling, the floating cable should enter the water near the middle of the pool length (see Figure 15). Spread all of the floating cable carefully in the pool, ensuring there are no kinks or coils.

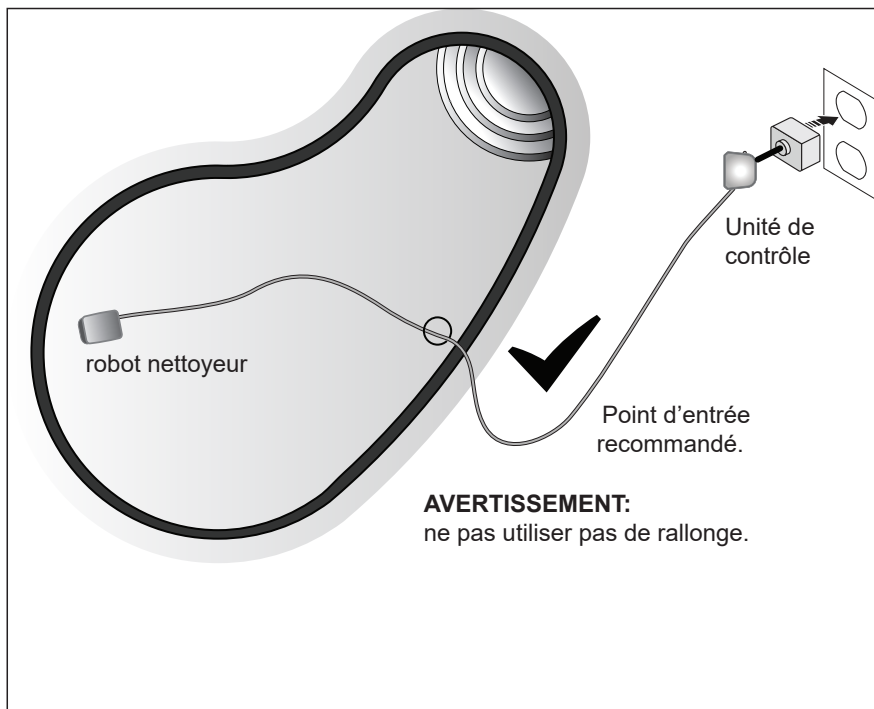


Figure 15. Optimal Entry Point in Pool

IMPORTANT

Cleaner power cable may become tangled if correct procedure is not followed after each cleaning cycle.

If tangling occurs, follow these steps:

1. Gently pull the floating cable to bring the cleaner within arm's reach. When the cleaner is within arm's reach, use the handle to remove from the water (Figure 16). Never lift the cleaner out of the pool by the floating cable.

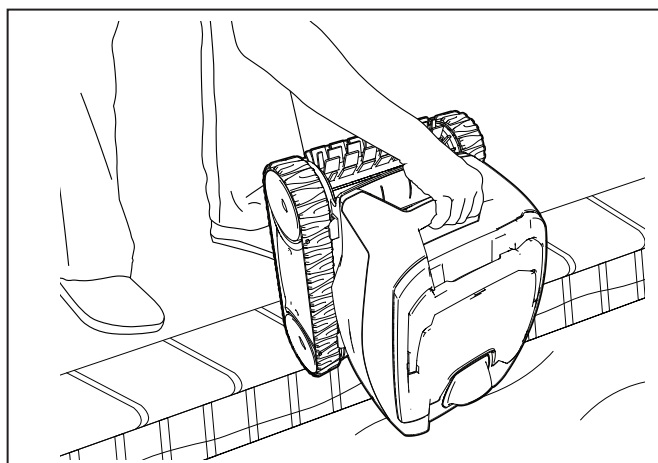


Figure 16. Lift Cleaner From Pool with Handle

2. Hold the cleaner vertically to drain (Figure 17).

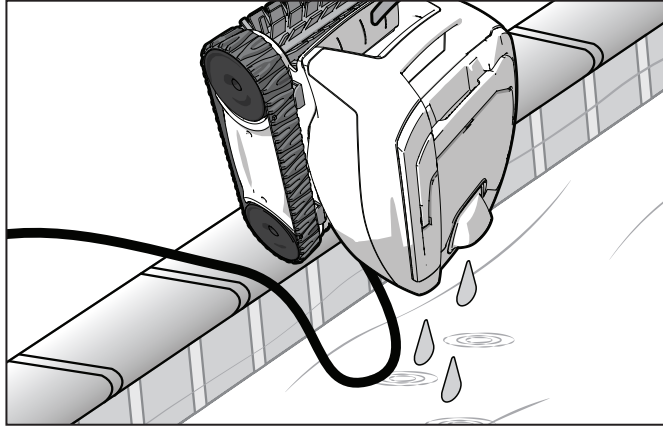


Figure 17. Hold Vertically to Drain Water

3. Unplug power to the cleaner at the control unit (Figure 18).



Figure 18. Unplug the Floating Cable

4. Remove the cleaner from the pool and untangle all kinks and coils in the floating cable at the cleaner head. Lay the cable in the sun to loosen any tangling memory (Figure 19).

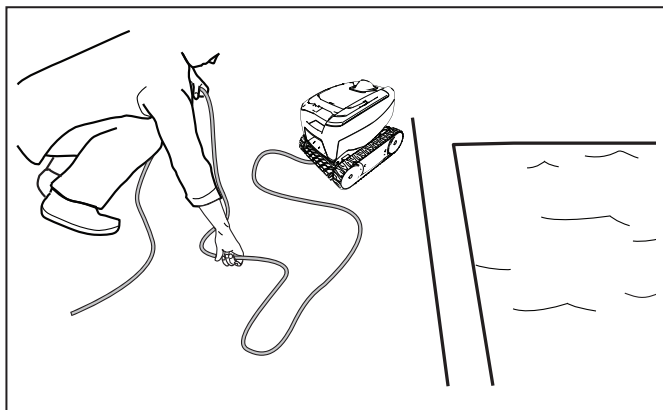


Figure 19. Lay Cable in the Sun

Replacing Wear Parts

Replacing Brushes

The cleaner is fitted with a brush in front. There are "wear" indicators (Figure 20) on the brush. To maintain cleaner performance at its best, replace the brush as soon as the wear indicator has been reached. Zodiac recommends that you replace the brushes every two (2) years.

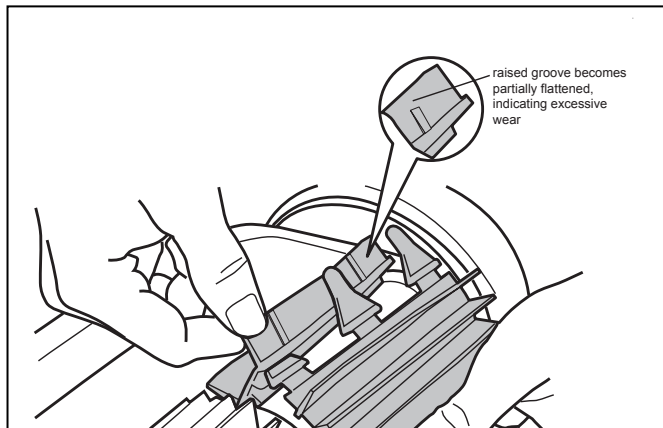


Figure 20. Worn Brush Indicator

To maintain cleaner performance at its best you need to replace the brush as soon as one of the wear indicators is reached (even if the blade wear is not even). It is recommended that you replace the brush when the rubber is worn down to the top of the wear indicator (or every two years, whichever comes first).

To replace a worn brush:

1. Separate the edges of the brush, undo the tabs, and remove the worn brush.
2. Position the new brush underneath the roller with the spikes facing downwards (Figure 21).

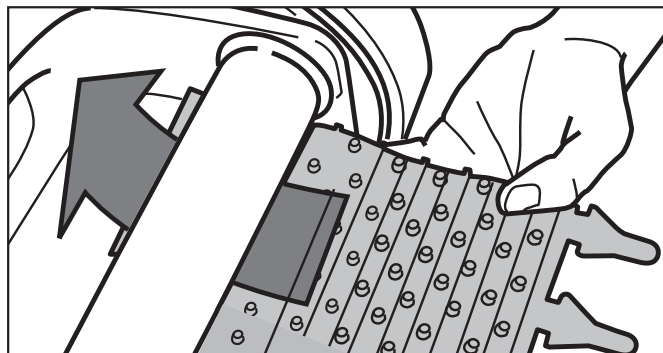


Figure 21. Position the New Brush on Roller

3. Thread each tab into the slot provided and gently feed it through until the heel comes out at the other side of the slot (Figure 22).

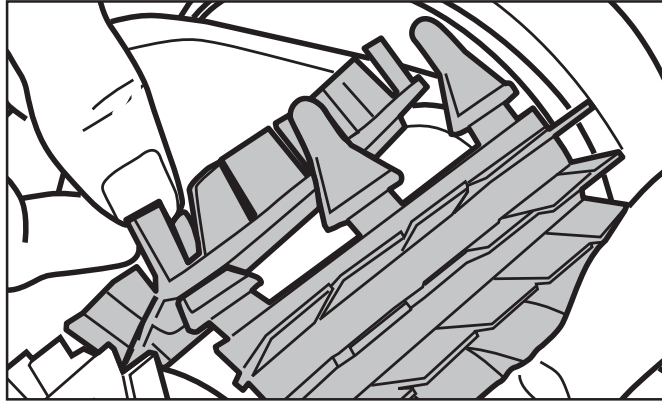


Figure 22. Pull Tabs Through Each Slot

4. Use scissors to cut the tabs so they are no higher than the spikes (Figure 23).

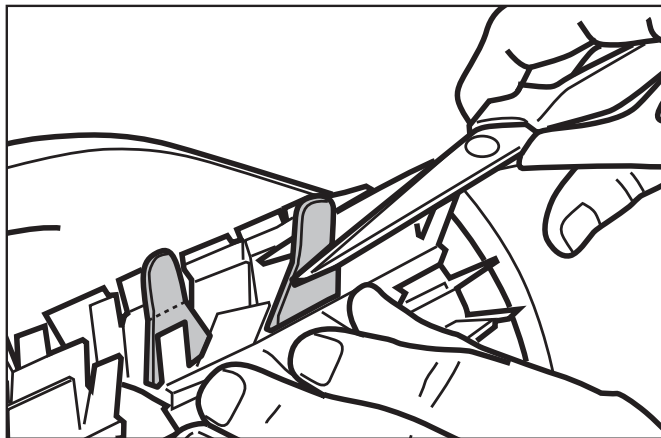


Figure 23. Cut Tabs

Replacing the Track

1. Stand the cleaner on its side (Figure 24).

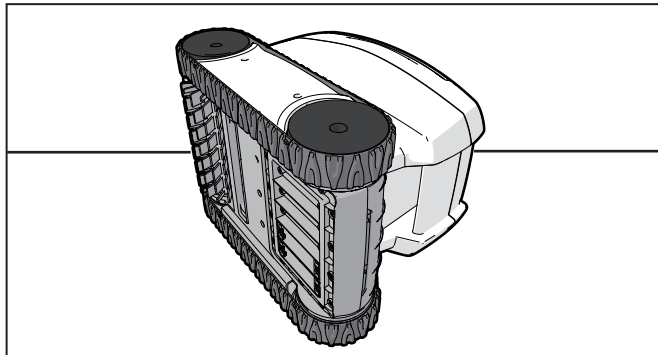


Figure 24. Stand Cleaner on its Side

2. Starting at one of the wheels, pull on the inside of the track to separate the tire lip from the wheel. Remove the track from the cleaner.

3. To install a new track, place the inside rib of the track into the groove in the first wheel. (See Figure 25).
4. Stretch the track around the second wheel (see Figure 25). Push and position the rib of the track so that the track is seated properly in the groove of the wheel.
5. Verify the rib of the track is positioned properly within the groove of each of the wheels. If necessary, turn the wheels gently to seat track.

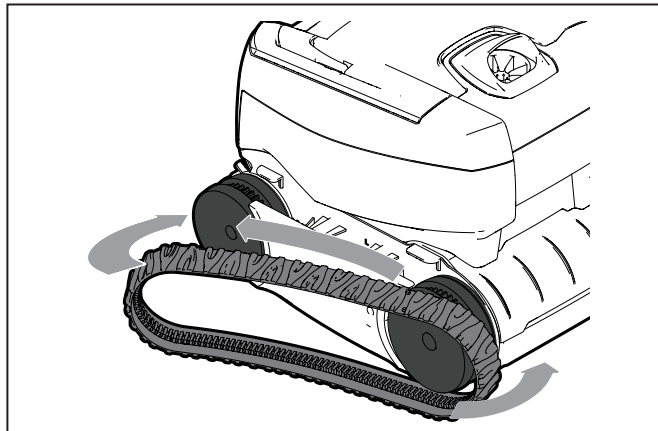


Figure 25. Stretch Track Around Wheels

Spare Parts


The complete spare parts list and exploded view is available on the Polaris website.

- USA: www.polarispool.com.
- Canada: www.polarispool.ca

Contact your local maintenance provider to perform diagnostic tests or repairs not shown in general maintenance.

6 Troubleshooting

Using the Information LED

The information LED  on the control unit flashes in a specific sequence to indicate one of three possible cleaner malfunctions.

LED Flashing	Solution
1 Flash LED flashes once with one second interval.	<ul style="list-style-type: none"> • Unplug the floating cable from the control unit and reconnect. • If the problem persists, contact your local retailer to request a diagnostic review or call Technical Support.
2 Flashes LED flashes twice with one second interval	<ul style="list-style-type: none"> • Turn cleaner wheels to ensure they are not jammed. • Check brushes for debris. • Start a new cleaning cycle. • If the problem persists, contact your local retailer to request a diagnostic review or call Technical Support.
3 Flashes LED flashes three times with one second interval	<ul style="list-style-type: none"> • Clean the filter canister. • Check the pump axis for debris. • Check propellor for debris. • Start a new cleaning cycle. • If the problem persists, contact your local retailer to request a diagnostic review or call Technical Support.

General Troubleshooting

The following list provides some helpful hints for troubleshooting common challenges when using the cleaner.

Problem	Cause	Solution
The Information LED flashes just after start (either pressing Power or Cycle button for less than 20 seconds).	Floating cable may not be plugged into the control unit correctly.	Unplug floating cable from the control unit and reconnect.
	Cleaner may not be fully submerged.	Remove cleaner from the pool and re-submerge, see <i>Install and Submerge the Cleaner</i> .
	Propellor may be jammed and not turning correctly.	Clean the filter canister, see <i>Cleaning the Filter Canister</i> .
	Wheels may be jammed and not turning correctly.	Turn the tracks then disconnect the control unit and wait at least 20 seconds before reconnecting. If the product persists, contact your local retailer to request a diagnostic review or call Technical Support.
The Information LED flashes during the cleaning cycle.	Cleaner may be sucking air (lights will appear after 60 seconds air intake)	Remove cleaner from the pool and re-submerge, see <i>Submerging the Cleaner</i> .
The cleaner does not stay firmly on the pool bottom.	There is air in the cleaner.	Remove cleaner from the pool and re-submerge, see <i>Submerging the Cleaner</i> .
	The filter canister is full or dirty.	Clean the filter canister, see <i>Cleaning the Filter Canister</i> .
The cleaner does not or no longer climbs the pool walls.	The filter canister is full or dirty.	Clean the filter canister, see <i>Cleaning the Filter Canister</i> .
	Walls of pool are slippery. Although the water seems clear, microscopic algae, invisible to the human eye, may be present in the pool. As a result the pool sides become slippery and prevent the cleaner from climbing. Check tracks for wear and replace as necessary.	Do a shock chlorination treatment to reduce the pH levels in the pool. DO NOT leave the cleaner in the pool during this treatment.
On startup the cleaner does not move.	No power supply to the cleaner.	Check that the outlet to which the control unit is connected is receiving electricity.
	Unit is turned OFF.	Press Start/Stop again. If the problem persist, contact your local retailer to request a diagnostic review or call Technical Support.
Cable is tangling in the pool	Cable is not spread evenly in the water.	Verify the floating cable enters the water near the middle of the pool length, see <i>Cord Tangling</i> . Spread all of the floating cable carefully in the pool, ensuring there are no kinks or coils.
The cleaner is not cleaning effectively.	The brushes have become smooth or the "wear" indicator shows.	Replace the brushes following the procedure in <i>Replacing the Brushes</i> .
	Filter canister is full or dirty.	Clean the filter canister following the procedure in <i>Cleaning the Filter Canister</i> .
	Floating cable is excessively coiled or kinked.	Make sure the floating cable is spread out over the pool. Ensure the cable is not too tightly wrapped or coiled when storing. If the problem persists, lay the cable straight in the sun to relax it and remove kinks. Follow the procedure in <i>Cord Tangling</i> to avoid and correct tangled cord.
	Tire track is coming off the wheels	Verify track is properly inserted in the wheel groove. If problem persists, replace the tire track, see <i>Replacing the Track</i> .

NOTES

English

NOTES

Zodiac Pool Systems LLC

2882 Whiptail Loop # 100, Carlsbad, CA 92010

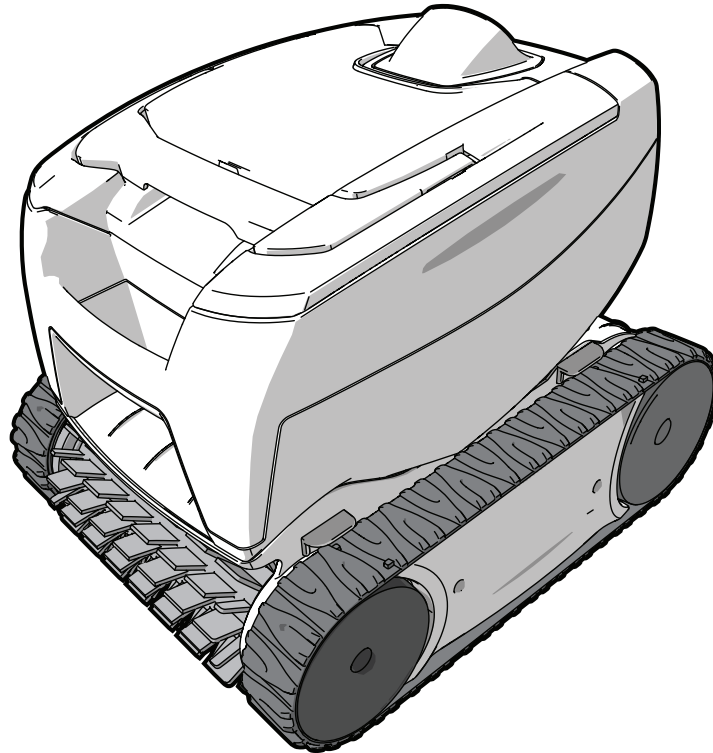
1.800.822.7933 | Polaris.Pool.com

Zodiac Pool Systems Canada, Inc.

2-3365 Mainway, Burlington, ON L7M 1A6 Canada

1.88.647.4004 | PolarisPool.ca





TYPE EP37--

Owner's Manual

FRANÇAIS

Déclaration de la FCC

Cet appareil est conforme à la section 15 de la réglementation de la FCC et à la norme RSS exempte de licence IC. Son fonctionnement est soumis aux deux conditions suivantes : (1) cet appareil ne doit pas causer d'interférences nuisibles et (2) il doit accepter toutes les interférences reçues, y compris celles pouvant entraîner un fonctionnement indésirable.

REMARQUE: cet équipement a été testé et déclaré conforme aux limites pour un appareil numérique de Classe B, conformément à la partie 15 des directives FCC. Ces limites sont conçues pour fournir une protection raisonnable contre les interférences nuisibles dans une installation résidentielle. Cet équipement génère, utilise et peut émettre de l'énergie de fréquence radio. S'il n'est pas installé et utilisé conformément aux instructions, il peut causer des interférences nuisibles aux communications radio. Toutefois, il n'existe aucune garantie que des interférences ne se produiront pas dans une installation particulière. Si cet équipement provoque des interférences nuisibles avec la réception de radio ou de télévision, ce qui peut être déterminé en éteignant et en rallumant l'équipement, l'utilisateur est invité à tenter de corriger les interférences en appliquant l'une ou plusieurs des mesures suivantes :

- Réorientez ou déplacez l'antenne de réception.
- Augmentez la distance entre l'équipement et le récepteur.
- Branchez l'équipement sur une prise différente de celle sur laquelle le récepteur est connecté.
- Consultez le revendeur ou un technicien radio/TV expérimenté pour obtenir de l'aide.

MISE EN GARDE

Tout changement ou modification non expressément approuvé par la partie responsable de la conformité pourrait annuler l'autorité de l'utilisateur à utiliser l'équipement.

REMARQUE: Cet appareil est conforme aux limites d'exposition aux rayonnements RF de la FCC et d'IC, établies pour la population en général. Cet appareil doit être installé de manière à assurer une distance de séparation d'au moins 20 cm par rapport à toutes les personnes. Il ne doit pas être co-implanté ni fonctionner conjointement avec une autre antenne ou un autre émetteur.

Selon les réglementations d'Industrie Canada, cet émetteur radio ne peut fonctionner qu'avec une antenne d'un type et d'un gain maximal (ou inférieur) approuvé pour l'émetteur par Industrie Canada. Pour réduire le risque de brouillage radioélectrique causé aux autres utilisateurs, le type d'antenne et son gain doivent être choisis de manière à ce que la puissance rayonnée de manière isotrope équivalente ne soit pas supérieure à celle nécessaire au succès de la communication.

AVERTISSEMENT

POUR VOTRE SÉCURITÉ – Pour les tâches autres que les opérations de nettoyage et d'entretien décrites dans ce manuel, ce produit doit être entretenu par un entrepreneur disposant d'une licence et qualifié en équipements de piscine par la juridiction dans laquelle le produit est installé lorsque de telles exigences étatiques ou locales existent. S'il n'existe aucune exigence provinciale ou locale, le préposé à l'entretien doit être un professionnel ayant assez d'expérience en équipement et en entretien de piscine pour pouvoir suivre exactement toutes les instructions du présent manuel. Une mauvaise installation ou utilisation annule la garantie.

NOUS VOUS REMERCIONS D'AVOIR ACHETÉ CE NETTOYEUR POLARIS.
VOTRE ROBOT NETTOYEUR POLARIS A ÉTÉ CONÇU ET FABRIQUÉ POUR ÊTRE FACILEMENT INSTALLÉ ET FOURNIR DES OPÉRATIONS NÉCESSITANT PEU D'ENTRETIEN. AVANT D'INSTALLER VOTRE NOUVEAU NETTOYEUR POLARIS, VEUILLEZ PROCÉDER COMME SUIVANT:

- 1) Remplissez et renvoyez-nous la fiche de garantie.
- 2) Enregistrez les informations relatives à votre achat dans les espaces ci-dessous.
- 3) Joignez votre facture (ou une copie de celle-ci) à cette page.

Le fait de suivre ces étapes permettra d'assurer un service de garantie rapide au besoin. Si une réparation est nécessaire, veuillez contacter votre revendeur original. Si le revendeur original ne propose pas de services d'entretien couverts par la garantie, veuillez visiter le site www.polarispool.com pour localiser un prestataire de service indépendant près de chez vous. Si vous êtes dans l'impossibilité de localiser un prestataire de service, veuillez appeler notre Service de soutien technique au 1-800-822-7933.

ENREGISTREZ LES DONNÉES RELATIVES À VOTRE NETTOYEUR POLARIS ICI:

Date d'achat _____ Acheté auprès _____ Numéro de série: _____
(situé sur la tête du robot)
Ville _____ Province/État _____ Code postal/Code ZIP _____

Table des matières

1	Consignes de sécurité importantes	28	5	Entretien.....	39
				Entortillement du cordon.....	39
				Remplacement des brosses.....	41
2	Spécifications du robot nettoyeur.....	29		Remplacement de la chenille	43
	Spécifications générales.....	29		Pièces de rechange.....	44
3	Contenu de l'assemblage.....	30	6	Dépannage.....	44
	Contenu	30		Utilisation du voyant DEL d'indication	44
	Connecter l'unité à une source d'alimentation.....	31		Dépannage général.....	45
4	Fonctionnement général du nettoyeur	33			
	Installer et immerger le robot nettoyeur.....	33			
	Démarrer/arrêter le nettoyage	35			
	Retirer l'unité de la piscine	35			
	Nettoyer le boîtier du filtre	36			
	Ranger le robot nettoyeur lorsque celui-ci n'est pas utilisé	38			

1 Consignes de sécurité importantes

Nous vous félicitons d'avoir fait l'acquisition de ce robot nettoyeur Polaris lire l'intégralité du manuel avant d'installer votre nouveau robot nettoyeur de piscine. Votre robot nettoyeur doit être installé et utilisé comme spécifié.

FRANÇAIS

WARNING

Le non-respect des avertissements ci-dessous peut entraîner des dommages permanents, l'électrocution ou la mort.

PRÉVENIR LES CHOCS ÉLECTRIQUES

Pour réduire les risques de chocs électriques:

- Brancher l'unité à une prise protégée par un disjoncteur différentiel de fuite à la terre (DDFT). Une telle prise DDFT doit être fournie par un installateur qualifié et doit être testée régulièrement. Pour tester le disjoncteur différentiel de fuite à la terre (DDFT), appuyer sur le bouton de test. Le disjoncteur différentiel de fuite à la terre (DDFT) doit couper l'alimentation. Appuyer sur le bouton de remise en route. L'alimentation doit être rétablie. Si le disjoncteur différentiel de fuite à la terre (DDFT) ne fonctionne pas comme indiqué, c'est qu'il est défectueux. Si le disjoncteur différentiel de fuite à la terre (DDFT) coupe l'alimentation de la pompe sans qu'on ait appuyé sur le bouton de test, un courant à la terre circule, indiquant la possibilité d'une décharge électrique. Ne pas utiliser ce produit. Débrancher le robot nettoyeur et faire corriger le problème par un technicien qualifié avant de l'utiliser.
- Conformément aux exigences de la National Electrical Code® (NEC®) des États-Unis, maintenir l'unité de contrôle à au moins cinq (5) pieds du bord de l'eau de la piscine/du spa. Au Canada, le Code canadien de l'électricité (CCE) fixe une distance minimale de 3 m (10 pi.) entre le bord de la piscine et de l'unité de contrôle. Ne jamais immerger l'unité de contrôle.
- Ne pas entrer dans la piscine tandis que le robot nettoyeur Polaris est immergé.
- Ne pas enterrer le cordon. Localiser le cordon afin d'éviter que celui-ci ne soit endommagé par les tondeuses à gazon, les taille-haies et d'autres équipements.
- Afin de réduire les risques de choc électrique, ne pas utiliser le robot nettoyeur Polaris ou l'unité de contrôle si le cordon est usé ou endommagé. Contacter le Service de soutien technique Zodiac Pool Systems LLC immédiatement pour un entretien approprié et pour le remplacement du cordon d'alimentation endommagé.
- Double isolation—Pour une protection permanente contre les risques de décharge électrique, utiliser uniquement des pièces de rechange identiques lors de l'entretien. Ne pas tenter de réparer du robot nettoyeur Polaris, l'unité de contrôle, le cordon d'alimentation ou le câble flottant.
- NE JAMAIS OUVRIR L'UNITÉ DE CONTRÔLE.
- NE PAS UTILISER DE RALLONGE POUR BRANCHER L'UNITÉ À L'ALIMENTATION ÉLECTRIQUE; FOURNIR UNE PRISE DDFT CONVENABLEMENT LOCALISÉE. L'UNITÉ DE CONTRÔLE DEVRA ÊTRE BRANCHÉ DANS LE BOÎTIER DE LA PRISE DDFT.

PREVENIR LES BLESSURES ET LA NOYADE DES ENFANTS

- Pour réduire le risque de blessures, ne pas permettre aux enfants d'utiliser ce produit.
- Ne laisser personne, surtout des jeunes enfants, s'asseoir, mettre le pied, s'appuyer ou monter sur des appareils faisant partie du système opérationnel de votre piscine.



SAVE THESE INSTRUCTIONS

⚠ MISE EN GARDE

Le non-respect des avertissements suivants peut causer des dommages à l'équipement de la piscine ou des blessures corporelles.

- Le robot nettoyeur Polaris devra être installé et utilisé comme spécifié.
- Ce produit est conçu pour être utilisé avec des piscines installées de manière permanente. Ne pas utiliser avec des piscines pouvant être entreposées. Une piscine permanente est construite dans le sol, sur le sol ou dans un bâtiment, de telle manière qu'elle ne puisse pas être facilement démontée et rangée. Une piscine pouvant être rangée est construite pour pouvoir être démontée facilement aux fins d'entreposage, puis remontée à son état initial.
- Nettoyer le boîtier du filtre dans le robot nettoyeur Polaris après chaque utilisation.
- N'utilisez pas le produit dans votre piscine si la température de l'eau est supérieure à 35 °C (95 °F) ou inférieure à 13 °C (55 °F).

UTILISATION DU ROBOT NETTOYEUR POLARIS DANS UNE TOILE DE PISCINE EN VINYLE

- Certains motifs de revêtement en vinyle sont particulièrement susceptibles à une usure rapide de la surface ou à l'enlèvement du motif causé par des objets qui entrent en contact avec la surface en vinyle, y compris des brosses de piscine, des jouets de piscine, des flotteurs, des fontaines, des distributeurs de chlore et des appareils de nettoyage de piscine automatiques. Certains motifs de revêtement en vinyle peuvent être excessivement éraflés ou érodés par un simple frottement de la surface avec une brosse de piscine. L'encre du motif peut également s'effacer pendant le processus d'installation ou lorsqu'il entre en contact avec des objets se trouvant dans la piscine. Fluidra ne sera pas tenue responsable de, et la garantie limitée ne couvrira pas, l'effacement des motifs, l'abrasion ou tout marquage sur la toile en vinyle.

2 Spécifications du robot nettoyeur

Spécifications générales

Les spécifications générales du robot nettoyeur sont les suivantes:

Tension d'alimentation du boîtier de commande	100-240 V c.a., 50-60 Hz
Tension de sortie	30 V DC
Charge installée	100 W max
Longueur de câble	Au-dessus du niveau du sol - 45 pi (14 m) Dans le sol - 54 pi (16,4 m)
Dimension du robot nettoyeur (lxdxh)	14,5 x 11,4 x 11,8 po (37 x 29 x 30 cm)
Poids du robot nettoyeur	15,4 lb (7 kg)
Filtration	Panier filtrant à usage général
Longueurs de cycle	2 heures pour un cycle d'une piscine installée au-dessus du niveau du sol 2,5 heures pour un cycle d'une piscine installée dans le sol

Le robot nettoyeur est un produit à double isolation. Un appareil électrique à double isolation est un appareil électrique conçu de manière à ne pas nécessiter de connexion de sécurité à la terre. L'exigence de base en matière de double isolation est qu'aucune défaillance unique ne puisse exposer une tension dangereuse susceptible de provoquer une décharge électrique, et ce, sans passer par un boîtier en métal mis à la terre. Ce processus est réalisé en ayant 2 couches de matériau isolant entourant les pièces sous tension ou en utilisant une isolation renforcée. Par conséquent, les dispositifs dotés d'une construction à double isolation, comme ce robot nettoyeur, n'utilisent pas de cordon (à trois broches) mis à la terre.

3 Contenu de l'assemblage

Lors du déballage du robot nettoyeur et de ses composants:



- Robot nettoyeur et câble flottant
- Unité de contrôle
- Socle de l'unité de contrôle
Pour protéger l'unité de contrôle contre d'éventuels dommages (qui pourraient entraîner des blessures ou des dommages à la propriété), toujours fixer le socle de l'unité de contrôle à l'unité de contrôle pendant le fonctionnement et le stockage.
- Caddie (certains modèles)

Lors du déballage du robot nettoyeur et de ses composants

- Vérifier afin de s'assurer que chaque composant se trouve dans la boîte.
- Vérifier que le robot nettoyeur et ses composants ne sont pas endommagés pendant le transport.
- S'il y a des pièces manquantes ou des dommages, contacter le soutien technique en appelant le 1-800-822-7933.

Se brancher à une source d'alimentation

⚠ AVERTISSEMENT

Le non-respect des avertissements cidessous peut entraîner des dommages permanents, l'électrocution ou la noyade.

PRÉVENIR LES CHOCS ÉLECTRIQUES

- **ÉTATS-UNIS** : Conformément aux exigences de la NEC®, maintenir l'unité de contrôle à au moins cinq (5) pi (1,5 m) du bord de la piscine. **CANADA** : Conformément aux exigences du CCE, maintenir l'unité de contrôle à au moins trois (3) m (10 pi) du bord de la piscine.
- Brancher l'unité de contrôle uniquement à une prise protégée par un disjoncteur différentiel de fuite à la terre (DDFT). Veuillez contacter un électricien certifié si vous ne pouvez pas vérifier que la prise est protégée par un DDFT ou non.
- Ne pas utiliser de rallonge pour brancher l'unité de contrôle.
- Ne laissez personne nager pendant que le robot nettoyeur est dans la piscine.
- L'unité de contrôle est résistante à l'eau mais n'est pas étanche. Afin d'éviter tout danger d'électrocution, ne jamais immerger l'unité de contrôle et ne jamais la laisser exposée aux intempéries.

1. Asseoir fermement l'unité de contrôle dans le socle de l'unité de contrôle (Figure 1).

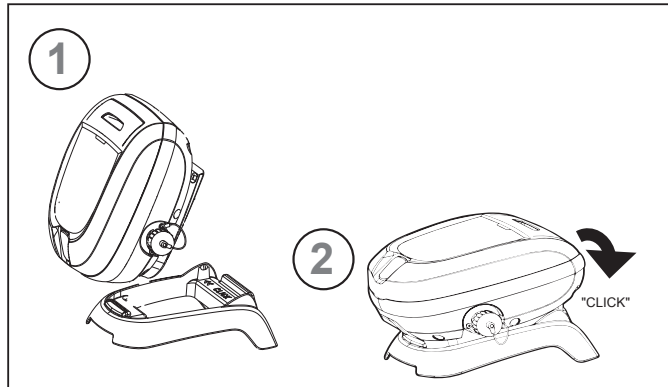


Figure 1. Brancher le socle de l'unité de contrôle

2. Dévisser le capuchon de protection pour le câble flottant situé sur le côté de l'unité de contrôle en le tournant dans le sens anti-horaire (Figure 2).

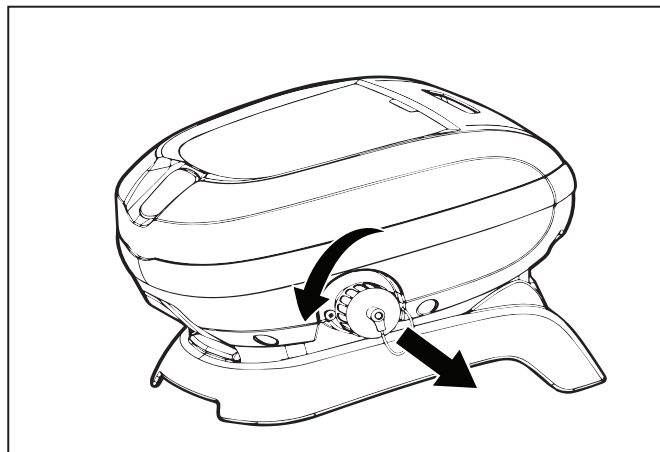


Figure 2. Retirer le couvercle protecteur

3. Aligner l'encoche dans le connecteur du câble flottant avec la clé dans l'unité de contrôle, enclencher, puis tourner dans le sens horaire pour serrer (Figure 3).

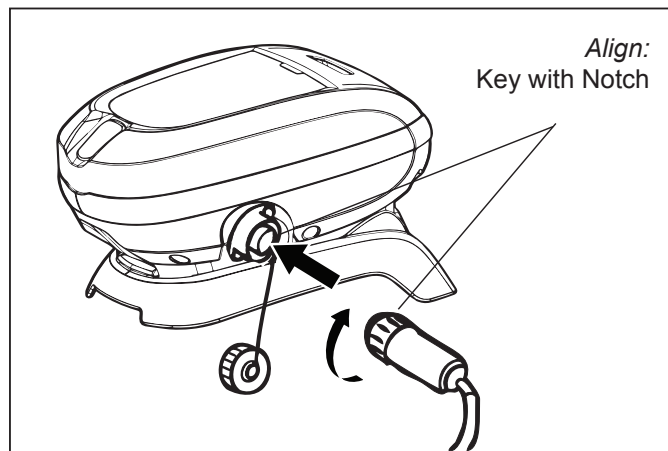


Figure 3. Connecter un câble flottant

4. Pour les produits avec caddie inclus, voir la fiche d'assemblage du caddie séparée

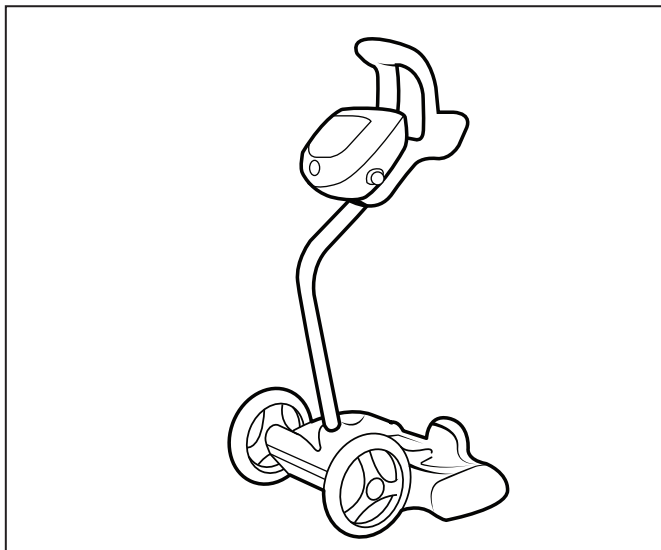
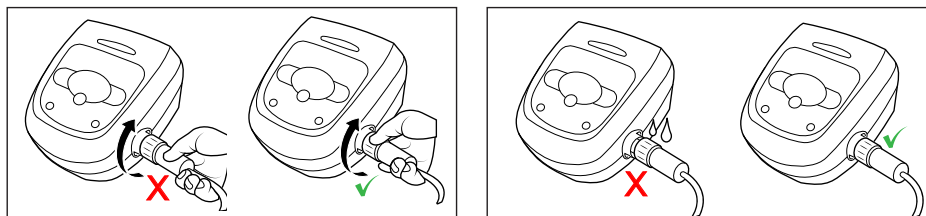


Figure 4. Caddie (facultatif)

5. Brancher l'unité de contrôle directement dans une prise DDFT. NE PAS utiliser de rallonge.

REMARQUE: pour éviter d'endommager le câble d'alimentation, n'essayez pas de tordre l'intégralité de la gaine de câble (voir cidessous).

REMARQUE: pour éviter d'exposer les broches du connecteur du câble d'alimentation à l'eau, assurez-vous que le connecteur est bien vissé et qu'il n'y a pas d'espace. (voir cidessous).



4 Fonctionnement du robot nettoyeur

⚠ MISE EN GARDE

Pour éviter d'endommager le robot nettoyeur, veillez à respecter les consignes suivantes:

- Retirer le robot nettoyeur de la piscine une fois le cycle de nettoyage terminé.
- Ranger le robot nettoyeur hors de la lumière directe du soleil ou des intempéries.
- Ne jamais soulever le robot nettoyeur hors de la piscine par le câble flottant.
- Prendre des précautions supplémentaires lorsque vous sortez le robot nettoyeur de la piscine. Celui-ci devient plus lourd lorsqu'il est rempli d'eau.
- Retirer toujours le robot nettoyeur de la piscine avant de procéder à une surchloration ou à l'adjonction d'acide.
- Ne pas manipuler le robot nettoyeur pendant son fonctionnement.

IMPORTANT

- Assurez-vous toujours que la tête du robot nettoyeur est complètement immergée avant de commencer à l'utiliser.
- Nettoyez le panier filtrant après chaque cycle de nettoyage.
- Do not leave your cleaner in the pool on a permanent basis.
- Ne laissez pas votre robot nettoyeur dans la piscine de manière permanente.
- À la fin de chaque cycle, retirez le robot nettoyeur de la piscine.

Le robot nettoyeur Polaris comprend une fonction de sécurité qui arrête automatiquement le robot nettoyeur si celui-ci est sous tension mais non immergé dans l'eau. Pour les piscines équipées d'un coin plage, cette fonction de sécurité est programmée pour mettre l'aspirateur en marche arrière et dans la piscine lorsque la turbine est hors de l'eau.

Installer et immerger le robot nettoyeur

1. Avec le boîtier de commande branché dans une prise DDFT, répartissez le câble flottant sur le pourtour de la piscine jusqu'à atteindre le milieu de la longueur de la piscine.
2. Immerger le robot nettoyeur verticalement (1) et le maintenir sous la surface, en le déplaçant doucement d'un côté à l'autre (2) jusqu'à ce que les bulles s'arrêtent pour éliminer l'air emprisonné à l'intérieur
3. Lorsque les bulles s'arrêtent, laisser le robot nettoyeur s'enfoncer jusqu'au fond de la piscine
4. Vérifier que le robot nettoyeur est assis sur le fond de la piscine. Retirer tout excédent d'air si le robot nettoyeur est encore en train de flotter à la surface.
5. Étendre soigneusement la totalité du câble flottant dans la piscine, en s'assurant qu'il n'y ait pas de noeuds ni d'enchevêtrements.

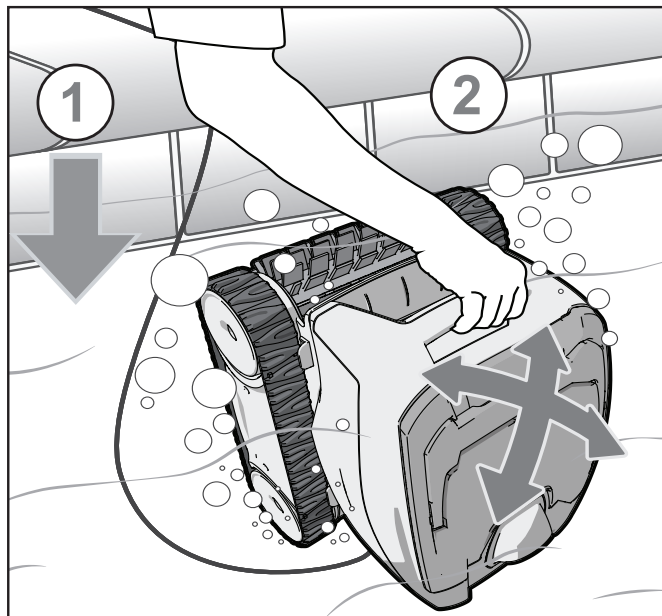


Figure 5. Immerger afin de chasser l'air piégé

REMARQUE: pour obtenir une configuration optimale et réduire l'enchevêtrement, le câble flottant doit pénétrer dans l'eau près du milieu de la longueur de la piscine).

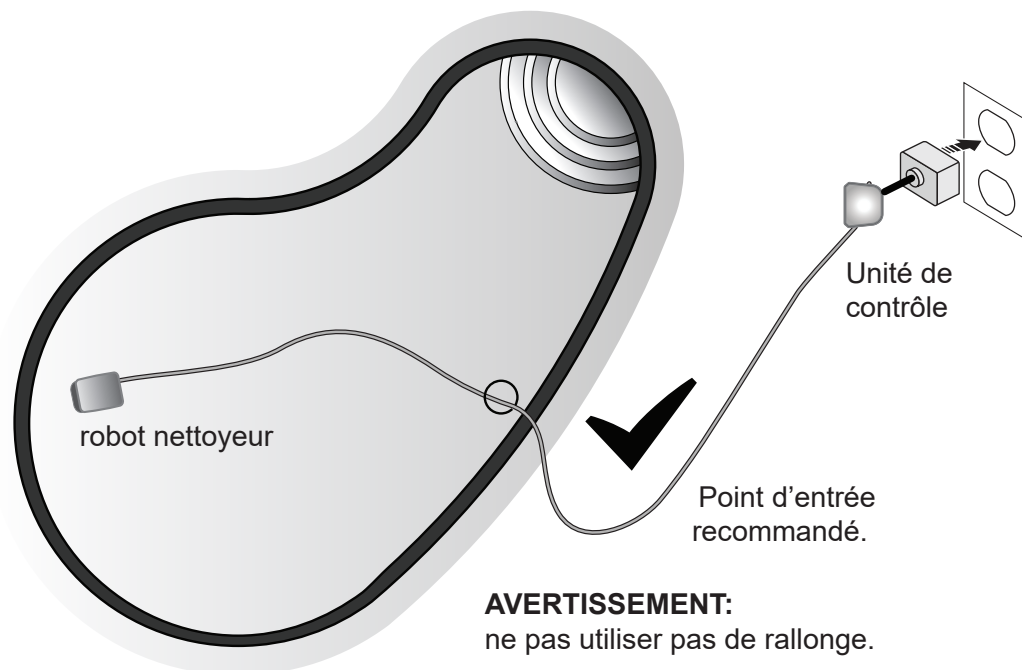


Figure 6. Point d'entrée dans la piscine pour une configuration optimale

Démarrer/arrêter le nettoyage

Appuyer sur le bouton « Start/Stop » pour initialiser ou interrompre le fonctionnement du robot nettoyeur (Figure 7).

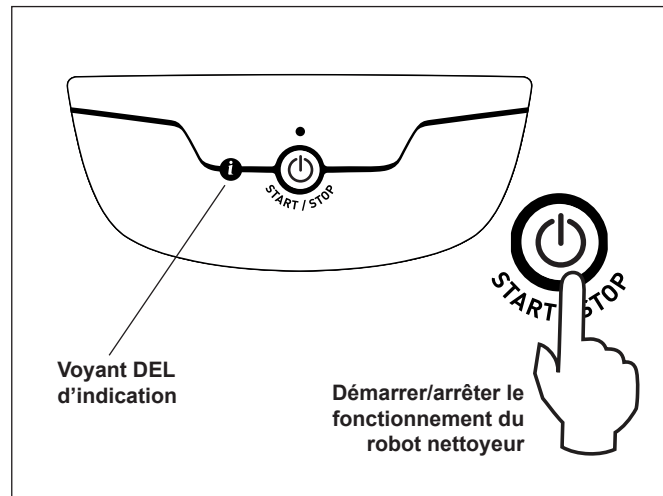


Figure 7. Unité de contrôle du robot nettoyeur

Retirer l'unité de la piscine

1. Tirer doucement le câble flottant pour amener le robot nettoyeur à portée de main.
2. Utiliser la poignée pour soulever le robot nettoyeur hors de l'eau (Figure 8). Ne jamais soulever le robot nettoyeur hors de la piscine par le câble flottant.
3. Maintenir le robot nettoyeur verticalement au-dessus de la surface de la piscine pour vider l'eau avant de le retirer (Figure 9).

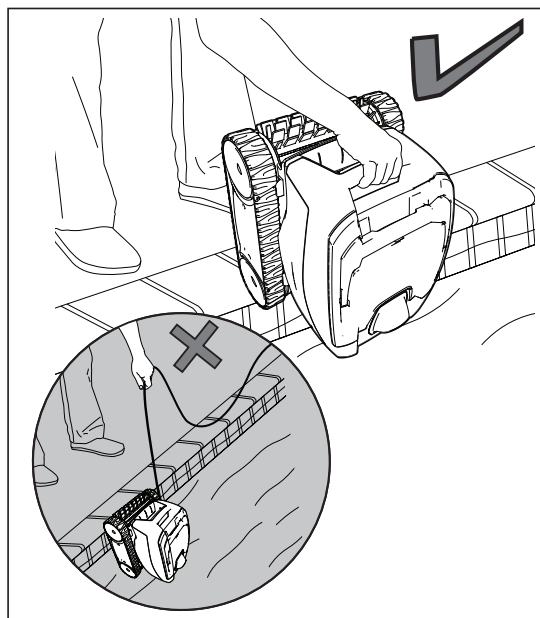


Figure 8. Soulever le robot nettoyeur hors de la piscine à l'aide de la poignée

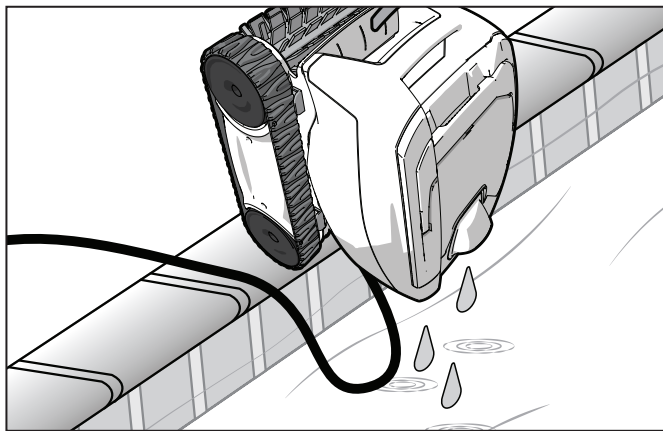


Figure 9. Vider l'eau du robot nettoyeur.

Nettoyer le panier filtrant

Vider le boîtier dès que le cycle prend fin.

AVERTISSEMENT

Pour éviter les décharges électriques et autres dangers pouvant entraîner des blessures permanentes ou la mort, déconnectez (débranchez) le robot nettoyeur de la source d'alimentation avant de procéder au nettoyage et à l'entretien.

1. Débrancher le cordon d'alimentation menant au robot nettoyeur au niveau de l'unité de contrôle. Débrancher l'unité de contrôle de la source d'alimentation.
2. Tirer vers le haut pour libérer la poignée du boîtier du filtre (Figure 10).

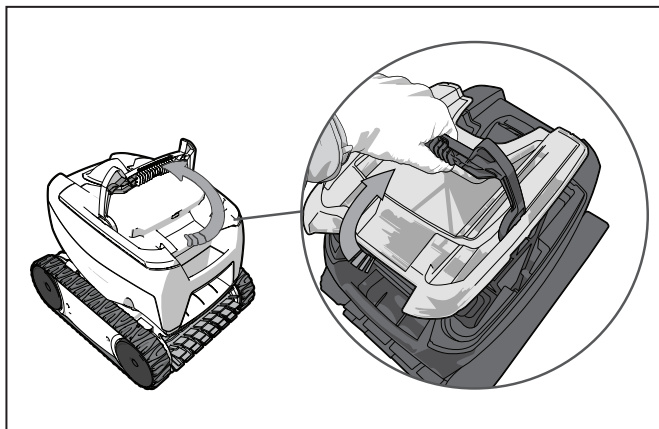


Figure 10. Relâcher la poignée du boîtier du filtre

3. Saisir la poignée et la soulever pour retirer le boîtier du filtre (Figure 11).

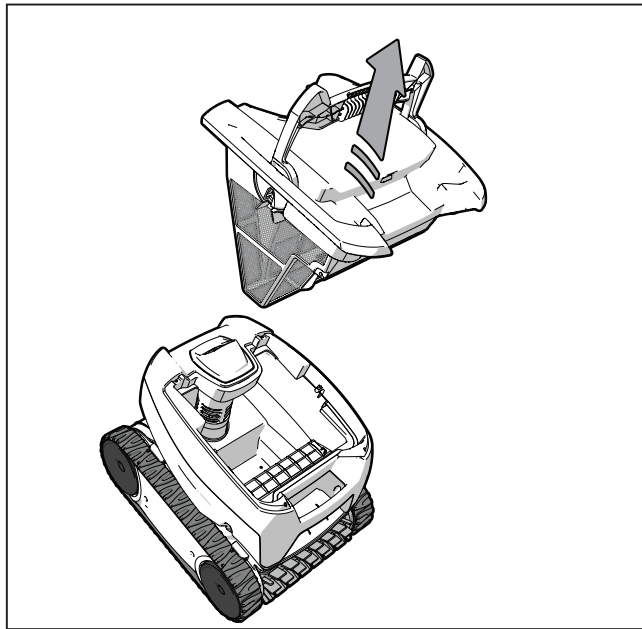


Figure 11. Retirer le boîtier du filtre

4. Appuyer sur le loquet intérieur et retirer le couvercle du boîtier du filtre (Figure 12).

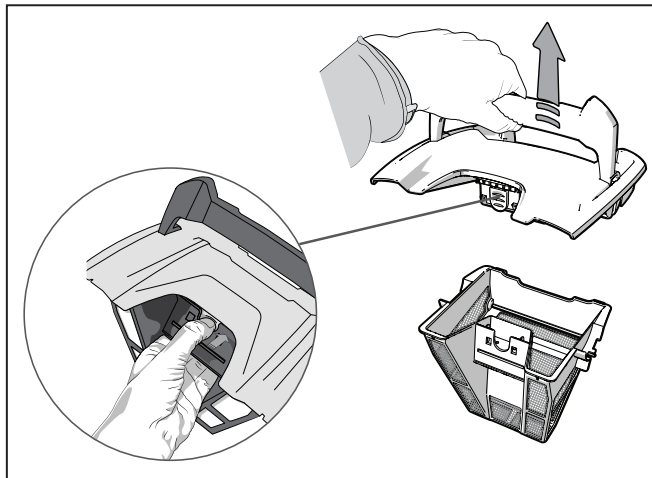


Figure 12. Retirer le couvercle du boîtier du filtre

5. En utilisant un tuyau avec de l'eau propre, rincer le boîtier et le couvercle du filtre pour enlever tous les débris présents (Figure 13).

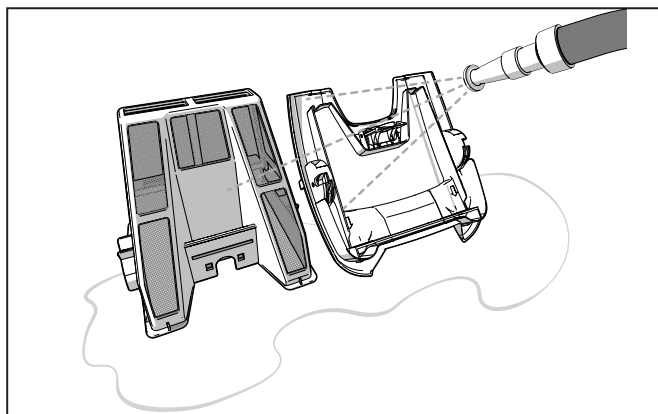


Figure 13. Rincer le boîtier du filtre

6. Remettre le couvercle sur le boîtier puis replacer le boîtier dans le corps du robot nettoyeur.
7. Rebrancher le cordon d'alimentation dans l'unité de contrôle et ranger le robot nettoyeur hors de la lumière directe du soleil pour la prochaine utilisation

Ranger le robot nettoyeur lorsque celui-ci n'est pas utilisé

Le robot nettoyeur devra être nettoyé régulièrement avec de l'eau propre légèrement savonneuse. Ne pas utiliser de solvants tels que le trichloréthylène ou ses équivalents. Rincer abondamment le robot nettoyeur à l'eau claire. Ne pas laisser votre robot nettoyeur sécher à la lumière directe du soleil près de la piscine.

1. Débrancher le robot nettoyeur de la source d'alimentation.
2. Commencer au niveau de la tête du robot nettoyeur, retirer tous les noeuds et enchevêtrements au niveau du câble flottant. (Figure 14). Étendre le câble au soleil afin de l'aplanir complètement.
3. Débrancher le câble de l'unité de contrôle. Replacer le capuchon de protection sur l'unité de contrôle.

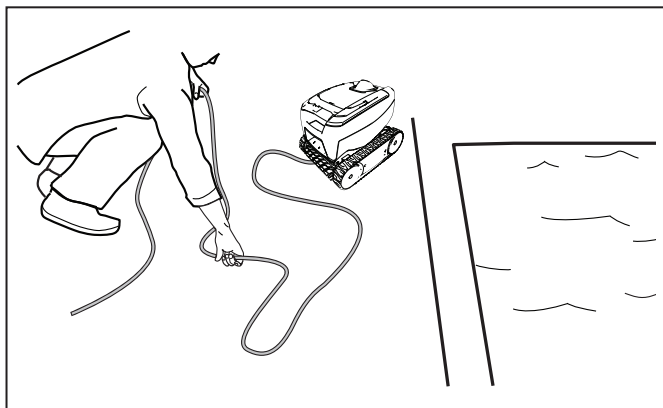


Figure 14. Démêler le câble flottant

4. Enrouler le câble flottant de façon lâche en commençant au niveau du robot nettoyeur en vous dirigeant vers le point de connexion de l'unité de contrôle.

5 Entretien

AVERTISSEMENT

Pour éviter les décharges électriques et autres dangers pouvant entraîner des blessures permanentes ou la mort, déconnectez (débranchez) le robot nettoyeur de la source d'alimentation avant de procéder au nettoyage et à l'entretien.

Enchevêtrement du câble

Pour obtenir une configuration optimale et réduire l'enchevêtrement, le câble flottant doit pénétrer dans l'eau près du milieu de la longueur de la piscine (see Figure 15). Étendre soigneusement la totalité du câble flottant dans la piscine, en s'assurant qu'il n'y ait pas de noeuds ni d'enchevêtrements.

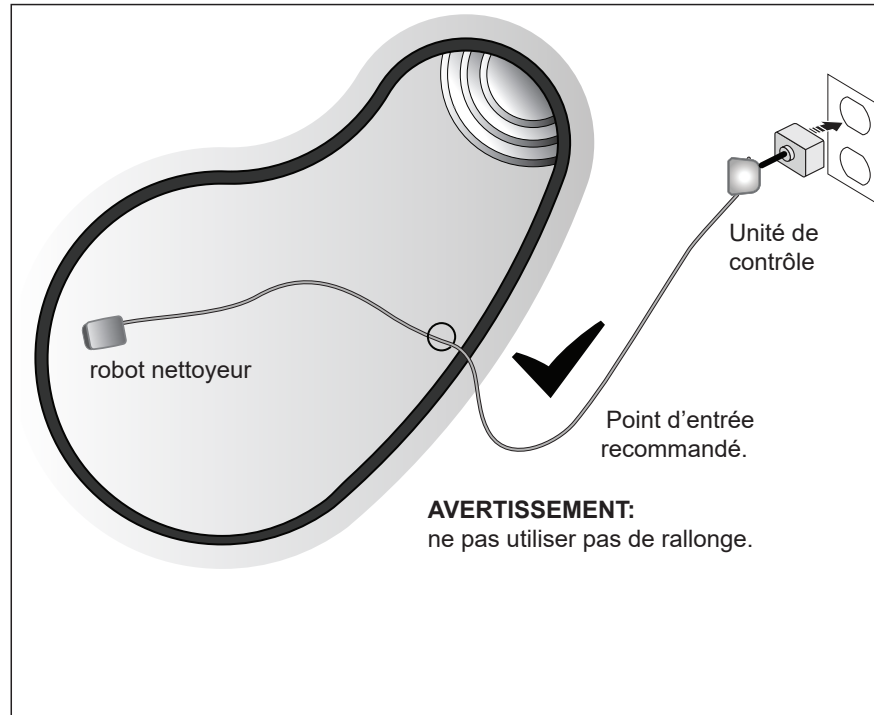


Figure 15. Point d'entrée optimal dans la piscine

IMPORTANT

Le câble d'alimentation du robot nettoyeur peut s'emmêler si la bonne procédure n'est pas suivie après chaque cycle de nettoyage.

Si un enchevêtrement se produit, suivez les étapes suivantes:

1. Tirer doucement le câble flottant pour amener le robot nettoyeur à portée de main. Lorsque le robot nettoyeur est à portée de main, utilisez la poignée pour le sortir de l'eau (Figure 16). Ne jamais soulever le robot nettoyeur hors de la piscine par le câble flottant.

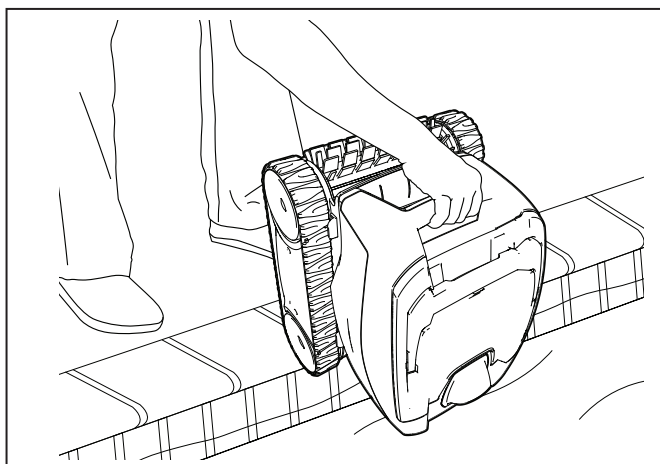


Figure 16. Soulever le robot nettoyeur hors de la piscine à l'aide de la poignée

2. Tenir le robot nettoyeur à la verticale pour l'égoutter (Figure 17).

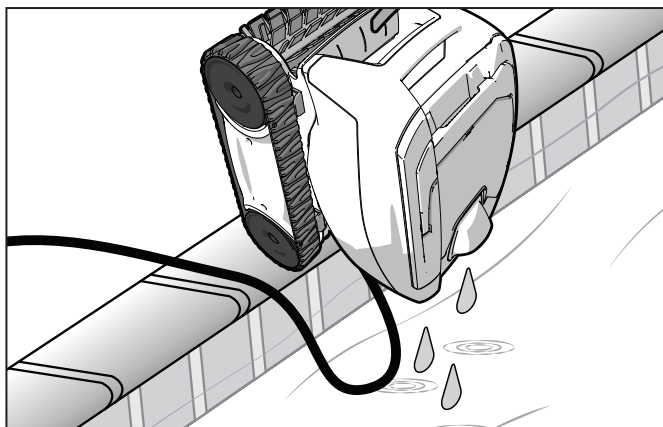


Figure 17. Le maintenir à la verticale pour vider l'eau

3. Débrancher le cordon d'alimentation menant au robot nettoyeur au niveau de l'unité de contrôle (Figure 18).



Figure 18. Débrancher le câble flottant

4. Retirer le robot nettoyeur de la piscine et démêler les noeuds et les enchevêtrements dans au niveau du câble flottant. Commencer par la tête du robot nettoyeur. Étendre le câble au soleil afin de l'aplanir complètement (Figure 19).

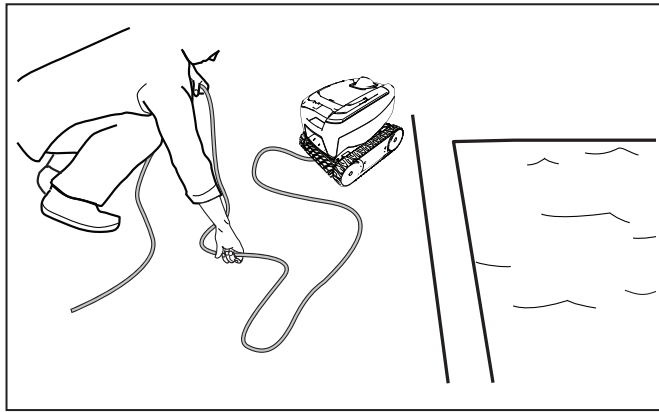


Figure 19. Étendre le câble au soleil

Remplacement des pièces usées

Remplacement des brosses

Le robot nettoyeur est muni d'une brosse à l'avant. Des indicateurs d'« usure» sont présent sur la brosse (Figure 20). Pour maintenir des performances de brossage optimales, remplacer la brosse dès que l'indicateur d'usure a atteint le niveau maximal. Zodiac vous recommande de remplacer les brosses tous les deux (2) ans.

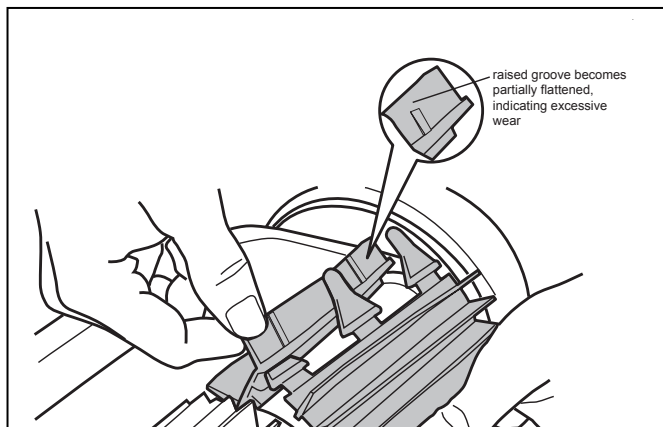


Figure 20. Indicateur de brosse usée

Pour maintenir des performances de brossage optimales, vous devrez remplacer la brosse dès que l'un des indicateurs d'usure a atteint le niveau maximal (même si l'usure de la lame n'est pas uniforme). Nous vous recommandons de remplacer la brosse lorsque le caoutchouc est usé jusqu'au niveau de la partie supérieure de l'indicateur d'usure (ou tous les deux ans, selon la première de ces éventualités).

Pour remplacer une brosse usée:

1. Séparer les bords de la brosse, desserrer les pattes, et retirer la brosse usée.

2. Positionner la nouvelle brosse sous le rouleau avec les brins orientés vers le bas (Figure 21).

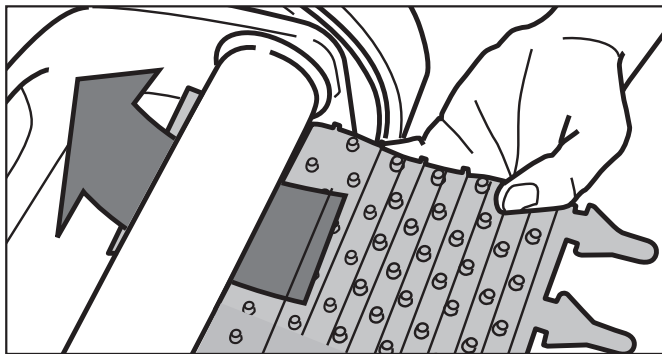


Figure 21. Positionner la nouvelle brosse sur le rouleau

3. Enfiler chaque patte dans la fente fournie et l'introduire délicatement jusqu'à ce que le talon sorte de l'autre côté de la fente (Figure 22).

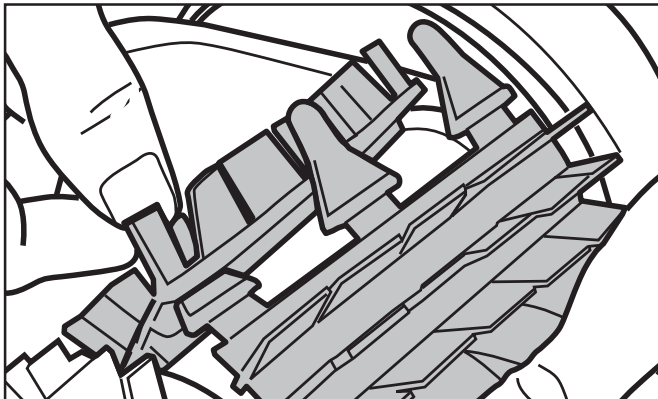


Figure 22. Tirer les onglets à travers chaque fente

4. Utiliser des ciseaux pour couper les pattes de sorte qu'elles ne sont pas plus hautes que les brins (Figure 23).

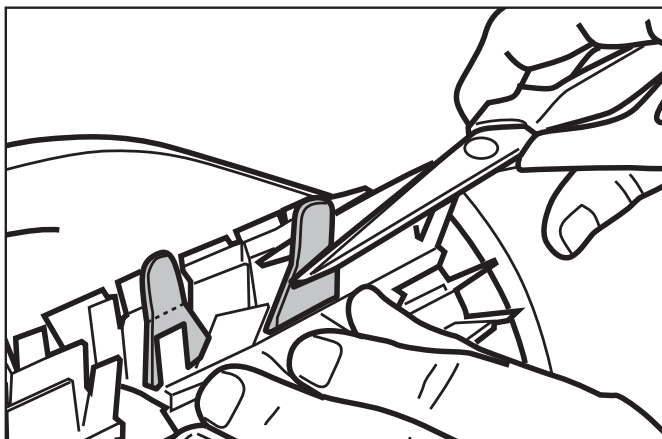


Figure 23. Couper les pattes

Remplacement de la chenille

1. Placer le robot nettoyeur à la verticale sur un côté (Figure 24).

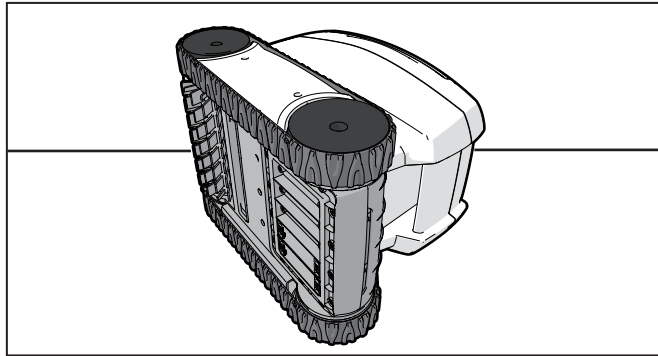


Figure 24. Placer le robot nettoyeur à la verticale sur un côté

2. En commençant par l'une des roues, tirer sur l'intérieur de la chenille pour séparer le rebord du pneu de la roue. Retirer la chenille du robot nettoyeur.
3. Pour installer une nouvelle chenille, placer la nervure intérieure de la chenille dans la rainure de la première roue (See Figure 25).
4. Étirer la chenille autour de la deuxième roue ((see Figure 25). Pousser et positionner la nervure de la chenille de manière à ce que la chenille soit correctement assise dans la rainure de la roue.
5. Vérifier que nervure de la chenille est positionnée correctement dans la rainure de chacune des roues. Au besoin, tourner les roues doucement pour asseoir la chenille.

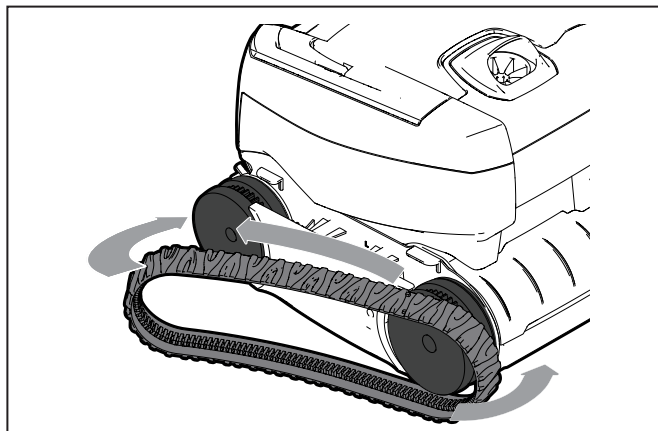


Figure 25. Étirer la chenille autour des roues


Pièces de rechange

La liste complète des pièces de rechange et la vue éclatée sont disponibles sur le site Web d'Polaris: www.polarispool.com.

Contactez votre détaillant local pour effectuer des tests de diagnostic ou des réparations non répertoriées dans l'entretien général.

6 Dépannage

Utilisation du voyant DEL d'indication

Le voyant DEL d'indication  sur l'unité de contrôle clignote dans une séquence spécifique pour indiquer l'un des trois dysfonctionnements possibles du robot nettoyeur.

Voyant DEL clignotant	Solution
Clignotement simple Le voyant DEL-clignote une fois à intervalle d'une seconde.	<ul style="list-style-type: none"> Débrancher le câble flottant de l'unité de contrôle et le rebrancher. Si le problème persiste, contactez votre revendeur local pour demander un examen diagnostique ou appelez l'assistance technique.
Clignotement double Le voyant DEL clignote deux fois à intervalle d'une seconde.	<ul style="list-style-type: none"> Faites tourner les roues du robot nettoyeur pour vous assurer qu'elles ne sont pas bloquées. Contrôler les brosses afin d'y déceler la présence d'éventuels débris. Démarrer un nouveau cycle de nettoyage. Si le problème persiste, contactez votre revendeur local pour demander un examen diagnostique ou appelez l'assistance technique
Clignotement triple Le voyant DEL clignote trois fois à intervalle d'une seconde.	<ul style="list-style-type: none"> Nettoyer le boîtier du filtre Vérifier l'axe de la pompe afin d'y déceler la présence d'éventuels débris. Contrôler l'hélice afin d'y déceler la présence d'éventuels débris. Démarrer un nouveau cycle de nettoyage. Si le problème persiste, contactez votre revendeur local pour demander un examen diagnostique ou appelez l'assistance technique.

Guide de dépannage général

La liste suivante fournit des astuces utiles pour résoudre les problèmes courants liés à l'utilisation du robot nettoyeur

Problème	Cause	Solution
Le voyant DEL d'indication clignote juste après le démarrage (en appuyant sur le bouton Power ou Cycle pendant moins de 20 secondes)..	Le câble flottant peut ne pas être branché correctement au niveau de l'unité de contrôle.	Débrancher le câble flottant de l'unité de contrôle et le rebrancher
	Le robot nettoyeur ne doit pas être entièrement immergé.	Retirer le robot nettoyeur de la piscine et l'immerger à nouveau, se reporter à la section Installer et immerger le robot nettoyeur.
	L'hélice peut être bloquée et ne pas tourner correctement.	Nettoyer le boîtier du filtre, se reporter à la section Nettoyer le boîtier du filtre.
	Les roues peuvent être bloquées et ne pas tourner correctement.	Faire tourner les chenilles puis débrancher l'unité de contrôle et attendre au moins 20 secondes avant de se reconnecter. Si le problème persiste, contactez votre revendeur local pour demander un examen diagnostique ou appelez l'assistance technique.
Le voyant DEL d'indication clignote pendant le cycle de nettoyage.	Le robot nettoyeur peut être en train d'aspirer de l'air (les voyants s'allument après 60 secondes d'admission d'air).	Retirer le robot nettoyeur de la piscine et l'immerger à nouveau, se reporter à la section Immerger le robot nettoyeur.
Le robot nettoyeur ne repose pas fermement sur le fond de la piscine.	De l'air est présent dans le robot nettoyeur	Retirer le robot nettoyeur de la piscine et l'immerger à nouveau, se reporter à la section Immerger le robot nettoyeur.
	Le panier filtrant est plein ou sale.	Nettoyer le boîtier du filtre, se reporter à la section Nettoyer le boîtier du filtre.
Le robot nettoyeur ne monte pas ou ne monte plus le long des parois de la piscine.	Le panier filtrant est plein ou sale.	Nettoyer le boîtier du filtre, se reporter à la section Nettoyer le boîtier du filtre
	Les parois de la piscine sont glissantes. Bien que l'eau semble claire, des algues microscopiques, invisibles à l'oeil humain, peuvent être présentes dans la piscine. Par conséquent, les côtés de la piscine deviennent glissants et empêchent le robot nettoyeur de monter le long des parois. Vérifier l'usure des chenilles et les remplacer au besoin.	Effectuer un traitement de choc par chloration afin de réduire les niveaux de pH dans la piscine. NE PAS laisser le robot nettoyeur dans la piscine pendant ce traitement.
Au démarrage, le robot nettoyeur ne bouge pas.	Absence d'alimentation électrique vers le robot nettoyeur.	Vérifier que la prise à laquelle l'unité de contrôle est connectée est alimentée en électricité.
	L'unité est éteinte (Position « OFF »).	Appuyer de nouveau sur le bouton « Start/ Stop ». Si le problème persiste, contactez votre revendeur local pour demander un examen diagnostique ou appelez l'assistance technique

Problème	Cause	Solution
Le câble est entortillé dans la piscine.	Le câble n'est pas réparti uniformément dans l'eau.	Vérifier que le câble flottant est immergé dans l'eau près du milieu de la longueur de la piscine, se reporter à la section Entortillement du cordon. Étendre soigneusement la totalité du câble flottant dans la piscine, en s'assurant qu'il n'y ait pas de noeuds ni d'enchevêtrements
Le robot nettoyeur ne nettoie pas de façon efficace	Les brosses sont devenues lisses ou l'indicateur d'« usure » apparaît.	Remplacer les brosses en suivant la procédure de remplacement des brosses.
	Le panier filtrant est plein ou sale..	Nettoyer le boîtier du filtre en suivant la procédure à la section Nettoyer le boîtier du filtre.
	Le câble flottant est excessivement enroulé ou entortillé.	S'assurer que le câble flottant est réparti sur l'ensemble la piscine. Vérifier que le câble n'est pas trop serré ou enroulé lors du stockage. Si le problème persiste, étendre le câble au soleil afin de le détendre et de démêler les enchevêtrements. Suivre la procédure dans la section Entortillement du cordon pour désenchevêtrer le cordon
	La chenille se détache des roues.	Vérifier que la chenille est correctement insérée dans la rainure de la roue. Si le problème persiste, remplacer la chenille du pneu, se reporter à la section Remplacement de la chenille

NOTES

Zodiac Pool Systems LLC

2882 Whiptail Loop # 100, Carlsbad, CA 92010

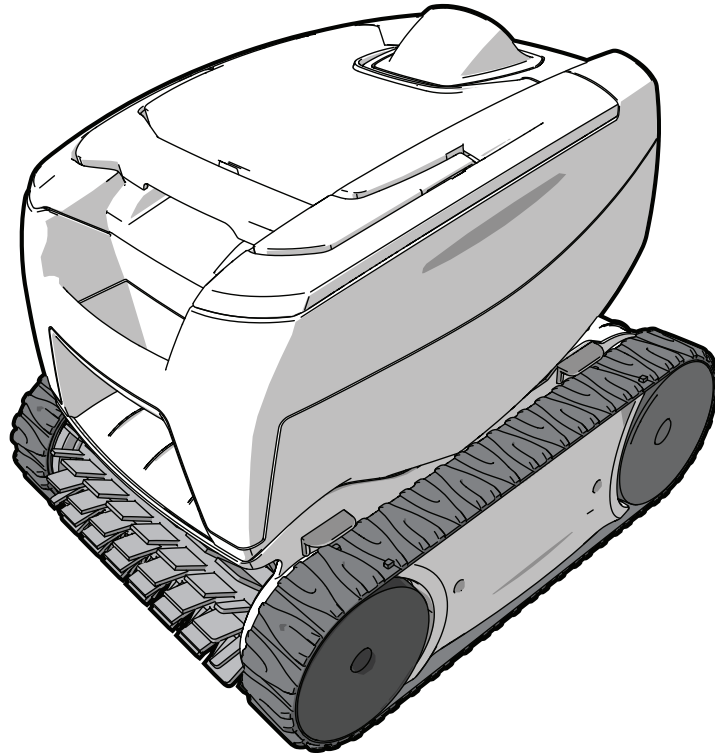
1.800.822.7933 | Polaris.Pool.com

Zodiac Pool Systems Canada, Inc.

2-3365 Mainway, Burlington, ON L7M 1A6 Canada

1.88.647.4004 | PolarisPool.ca





TYPE EP37--

Manual del usuario

ESPAÑOL

Declaración en relación con la FCC

Este dispositivo cumple con el Apartado 15 de las Normas de la FCC y el estándar RSS exento de licencia IC. La operación está sujeta a las dos condiciones siguientes: (1) este dispositivo no debe ocasionar interferencias perjudiciales y (2) este dispositivo debe aceptar cualquier interferencia recibida, incluidas las interferencias que pudieran producir funcionamiento no deseado.

NOTA: Este equipo se probó y se determinó que cumple con los límites de dispositivo digital de Clase B, en conformidad con la parte 15 de las reglas de la FCC. Estos límites están diseñados para proporcionar una protección razonable contra las interferencias nocivas en una instalación residencial. Este equipo genera, utiliza y puede irradiar energía de radiofrecuencia y, si no se instala y se utiliza de acuerdo con las instrucciones, puede causar una interferencia perjudicial en las comunicaciones de radio. Sin embargo, no se garantiza que no habrá interferencias en una instalación en particular. En caso de que este equipo ocasione una interferencia perjudicial en la recepción de radio o televisión, lo que puede determinarse apagando y encendiendo el equipo, se recomienda al usuario intentar corregir la interferencia mediante una o más de las siguientes medidas:

- Reoriente o cambie la ubicación de la antena receptora.
- Aumente la distancia entre el equipo y el receptor.
- Conecte el equipo a una fuente de electricidad que no esté en el mismo circuito en el que está conectado el receptor.
- Consulte al distribuidor para obtener la ayuda de un técnico experimentado en radio/TV.

PRECAUCIÓN

Cualquier cambio o modificación no aprobado expresamente por la parte responsable del cumplimiento puede anular el permiso del usuario para operar el equipo.

NOTA: Este dispositivo cumple con los límites de exposición a la radiación RF establecidos por la FCC y la IC para la población general. Este dispositivo debe instalarse a una distancia mínima de 20 cm de toda persona y no debe ubicarse en el mismo lugar u operarse de manera conjunta con cualquier otra antena o transmisor.

Bajo las normas de Industry Canada, este transmisor de radio solo puede funcionar utilizando una antena de un tipo de ganancia máxima (o menor) que Industry Canada haya aprobado para el transmisor. A fin de reducir las posibles interferencias de radio a otros usuarios, debe seleccionarse el tipo de antena y su ganancia de forma que la potencia isotrópica radiada equivalente (p.i.r.e.) no supere la necesaria para una comunicación exitosa.

⚠ ADVERTENCIA

PARA SU SEGURIDAD - Fuera de la limpieza y el mantenimiento de rutina descritos en este manual, el servicio técnico de este producto debe estar a cargo de un contratista calificado y matriculado para trabajar con equipamientos para piscinas en la jurisdicción en la que se instalará el producto, donde existan tales requisitos estatales o locales. En caso de que no existan tales requisitos estatales o locales, la persona que realiza el mantenimiento debe ser un profesional y contar con experiencia suficiente en instalación y mantenimiento de equipamientos para piscinas, para que todas las instrucciones de este manual se puedan seguir exactamente. Si la instalación o la operación se llevan a cabo incorrectamente, la garantía se anulará.

GRACIAS POR LA COMPRA DE ESTE LIMPIADOR POLARIS.
SU ROBOT LIMPIADOR POLARIS FUE DISEÑADO Y FABRICADO PARA SER DE FÁCIL INSTALACIÓN Y PROPORCIONAR UN FUNCIONAMIENTO CON POCO MANTENIMIENTO. ANTES DE INSTALAR SU NUEVO LIMPIADOR POLARIS, HAGA LO SIGUIENTE:

- 1) Complete y envíe la tarjeta de registro de garantía.
- 2) Registre la información de su compra en los espacios siguientes.
- 3) Adjunte la factura (o una copia) en esta página.

Estos pasos le permitirán asegurarse el servicio de garantía del sistema, si fuera necesario. Si fuera necesario el servicio, póngase en contacto con su distribuidor original. Si el distribuidor no realizara el servicio de garantía, visite la página www.polarispool.com para ubicar una empresa de servicios independiente cercana a usted. Si no puede ubicar una empresa de servicio, llame a nuestro departamento de soporte técnico al 1-800-822-7933.

RREGISTRE LOS DATOS DE SU LIMPIADOR POLARIS AQUÍ:

Fecha de compra _____ Comprado a _____ Número de serie: _____
(Situado en la cabeza del robot)
Ciudad _____ Estado/provincia _____ Código postal _____

Contenido

1	Instrucciones importantes de seguridad	52	5	Mantenimiento.....	63
				Enredo del cable.....	63
				Reemplazo de cepillos.	65
				Reemplazo de la oruga	67
				Repuestos	68
2	Especificaciones del limpiador.....	53	6	Resolución de problemas	68
	Especificaciones generales	53		Cómo usar el LED de información.....	68
3	Ensamblaje	54		Resolución de problemas generales	69
	Contenido	54			
	Conexión a una fuente de alimentación	55			
4	Operación de Limpiador General	57			
	Instalación e inmersión del limpiador	57			
	Comenzar/detener la limpieza.....	59			
	Extraer de la piscina	59			
	Limpiar el cartucho del filtro.....	60			
	Almacene el limpiador cuando no lo utilice	62			

1 Instrucciones importantes de seguridad

Felicitaciones por la compra del robot limpiador Polaris. Lea todo el manual antes de instalar su nuevo robot limpiador de piscina. El limpiador debe ser instalado y operado tal como se especifica.

ESPAÑOL

⚠ ADVERTENCIA

El incumplimiento de las advertencias aquí indicadas puede resultar en lesiones permanentes, electrocución o muerte.

PREVENCIÓN DE DESCARGAS ELÉCTRICAS

Para reducir el riesgo de descargas eléctricas:

- Conecte la unidad a un receptáculo protegido por un interruptor de circuito por falla a tierra (GFCI). El receptáculo GFCI debe probarse con regularidad y lo debe proporcionar un instalador calificado. Para probar el GFCI, presione el botón de prueba. El GFCI debe interrumpir la energía. Presione el botón Reset (Restablecer). La energía debería restablecerse. Si el GFCI no funciona de esta forma, significa que tiene algún defecto. Si el GFCI interrumpe la alimentación a la bomba sin que se presione el botón de prueba, significa que existe una descarga a tierra, lo que a su vez indica la posibilidad de descargas eléctricas. No utilice este producto. Desconecte el limpiador y solicite a un representante de servicio calificado que solucione el problema antes de utilizarlo.
- Según National Electrical Code® (NEC®) de los Estados Unidos, debe mantener la unidad de control a al menos cinco (5) pies del borde del agua (de la piscina/hidromasaje). En Canadá, Canadian Electrical Code (CEC) requiere una distancia mínima de 3 m (10 ft.) entre el borde de la piscina y la unidad de control. Nunca sumerja la unidad de control.
- No ingrese en la piscina cuando el limpiador Polaris esté en el agua.
- No entierre el cable. Ubique el cable de manera tal de evitar daños producidos por cortadoras de césped, podadoras u otros equipos.
- Para reducir el riesgo de electrocución, no utilice el robot limpiador Polaris ni la unidad de control si el cable está gastado o dañado. Comuníquese de inmediato con el soporte técnico de Zodiac Pool Systems LLC para el servicio adecuado y el reemplazo del cable dañado.
- Doble aislamiento: para estar constantemente protegido contra posibles electrocuciones, solo utilice piezas de repuesto idénticas al realizar el mantenimiento. No intente reparar el robot limpiador Polaris, la unidad de control, el cable de suministro eléctrico ni el cable flotante.
- NUNCA ABRA LA UNIDAD DE CONTROL.
- NO UTILICE CABLES PROLONGADORES PARA CONECTAR LA UNIDAD AL SUMINISTRO ELÉCTRICO; SUMINISTRE UN TOMACORRIENTE GFCI UBICADO CORRECTAMENTE. LA UNIDAD DE CONTROL DEBE ESTAR CONECTADA EN LA CAJA DEL TOMACORRIENTE GFCI.

EVITE LESIONES A NIÑOS Y AHOGAMIENTO

- Para reducir el riesgo de lesiones, no permita que los niños operen este producto.
- No permita que ninguna persona, especialmente niños pequeños, se sienten, pisen, se apoyen o trepen en los equipos instalados como parte del sistema de operación de la piscina.



SAVE THESE INSTRUCTIONS

⚠ PRECAUCIÓN

El incumplimiento de estas advertencias puede ocasionar daños a los equipos de la piscina o lesiones personales.

- El limpiador Polaris debe instalarse y operarse de la manera especificada.
- Este producto está diseñado para el uso en piscinas instaladas de forma permanente. No use esta bomba con piscinas almacenables. Las piscinas permanentes están construidas dentro del suelo o sobre él o en un edificio de tal manera que no se pueden desmontar para su almacenamiento. Las piscinas portátiles están construidas de manera que pueden ser fácilmente desmontadas para su almacenamiento y pueden volver a montarse en su estado original.
- Limpie el cartucho del filtro del limpiador Polaris después de cada uso.
- No utilice el producto en su piscina si la temperatura del agua excede los 95 °F (35 °C) o se encuentra por debajo de los 55 °F (13 °C).

USO DEL ROBOT LIMPIADOR POLARIS EN PISCINAS CON REVESTIMIENTO DE VINILO

- Ciertos patrones de revestimiento de vinilo son particularmente propensos a desgastarse rápidamente a nivel superficial o a la rotura del patrón provocada por objetos que entran en contacto con la superficie del vinilo, como cepillos para piscina, juguetes para piscina, flotadores, fuentes, dosificadores de cloro y limpiadores automáticos de piscinas. Algunos patrones de revestimiento de vinilo pueden rayarse o desgastarse severamente por acción del simple contacto de la superficie con un cepillo para piscina. La tinta del patrón también puede desprenderse durante el proceso de instalación, o cuando entra en contacto con objetos en la piscina. Fluidra no es responsable por roturas, abrasiones o marcas del patrón en revestimientos de vinilo, y la garantía limitada no las cubre.

2 Especificaciones del limpiador

Especificaciones generales

Las especificaciones generales del limpiador son las siguientes:

Voltaje de suministro de la caja de control	100-240 VAC, 50-60 Hz
Voltaje de salida	30 V CC
Carga instalada	100 W máx
Longitud del cable	Arriba del piso - 45 ft (14 m) En el piso - 54 ft (16.4 m)
Tamaño del limpiador (Ancho x Profundidad x Altura)	14.5 x 11.4 x 11.8 pulg. (37 x 29 x 30 cm)
Peso del limpiador	15.4 lb (7 kg)
Filtrado	Cartucho del filtro multipropósito
Duraciones del ciclo	2 horas para el ciclo de la piscina arriba del piso 2.5 horas para el ciclo de la piscina en el piso

El limpiador es un producto con doble aislamiento. Un dispositivo eléctrico de doble aislamiento, debido a su diseño, no requiere una conexión a tierra de seguridad. El requisito básico del doble aislamiento es que ninguna falla pueda dejar expuestos voltajes peligrosos que puedan provocar una descarga eléctrica y que esto se logre sin recurrir a una cubierta de metal conectada a tierra (masa). Esto se logra con dos (2) capas de material aislante alrededor de las partes vivas o con aislamiento reforzado. Por lo tanto, los dispositivos construidos con doble aislamiento, como este limpiador, no utilizan un cable con puesta a tierra (de tres patas).

3 Ensamblaje

Contenido



El embalaje debe contener los siguientes artículos:

- Robot limpiador y cable flotante
- Unidad de control
- base de la unidad de control
Para proteger la unidad de control de posibles daños (que podrían provocar lesiones o daños materiales), fije siempre la unidad de control con la base de la unidad de control durante la operación y el almacenamiento.
- Carrito (opcional)

Cuando desembale el limpiador y sus componentes:

- Compruebe que todos los componentes se encuentren en la caja.
- Compruebe que el limpiador y los componentes no se hayan dañado durante el transporte.
- Si alguna pieza faltara o estuviera dañada, comuníquese con el soporte técnico al 1-800-822-7933.

Conexión a una fuente de alimentación

ADVERTENCIA

El incumplimiento de las advertencias aquí indicadas puede resultar en lesiones permanentes, electrocución o ahogamiento.

PREVENCIÓN DE DESCARGAS ELÉCTRICAS

- **EE. UU.:** Según los requisitos de NEC®, mantenga la unidad de control por lo menos a (5) pies (1.5 m) del borde de la piscina. **CANADÁ:** Según los requisitos de CEC, mantenga la unidad de control por lo menos a tres (3) m (10 pies) del borde de la piscinal.
- Conecte la unidad de control únicamente a un receptáculo protegido por un interruptor de circuito por falla a tierra (GFCI). Contacte a un electricista matriculado si no puede verificar que el receptáculo está protegido por un GFCI.
- No utilice un cable prolongador para conectar la unidad de control.
- No permita que nadie nade mientras el limpiador se encuentra en la piscina.
- La unidad de control es resistente al agua, no es a prueba de agua. Para prevenir electrocución, nunca sumerja la unidad de control ni la deje expuesta a climas adversos.

1. Asiente la unidad de control firmemente en la base de la unidad de control (Figure 1).

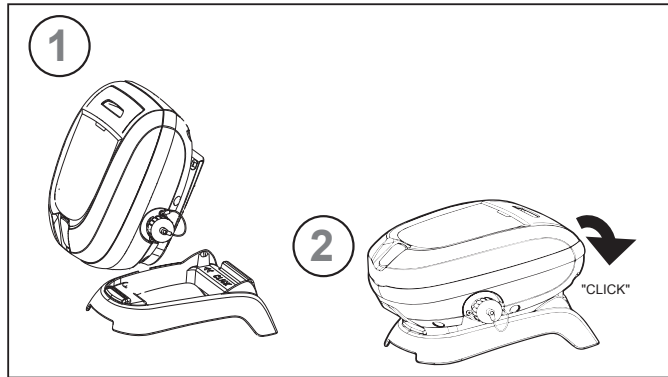


Figure 1. Conecte la base de la unidad de control

2. Desatornille la tapa protectora del cable flotante del costado de la unidad de control girando en sentido contrario a las agujas del reloj (Figure 2).

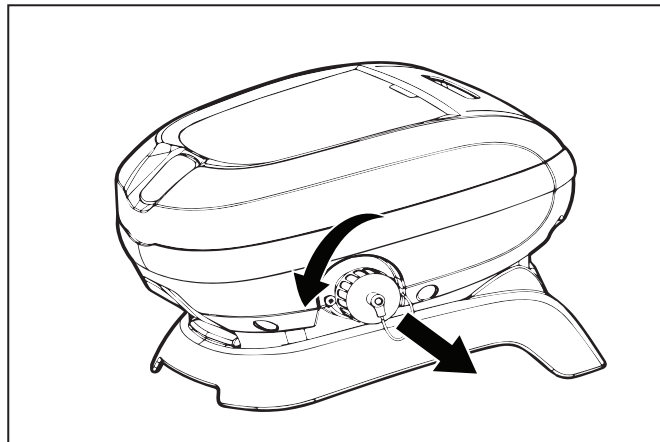


Figure 2. Retire la tapa protectora

3. Alinee la muesca del conector del cable flotante con la claveta de la unidad de control. Conéctelas y, a continuación, gire en el sentido de las agujas del reloj para ajustar (Figure 3).

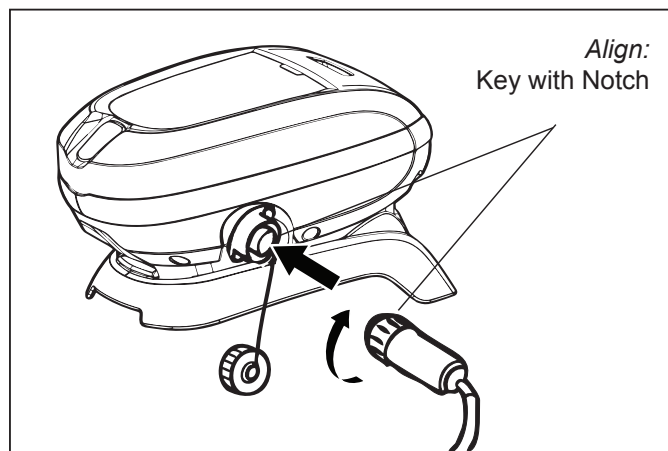


Figure 3. Conecte el cable flotante

4. For products with caddy included, see separate caddy assembly sheet.

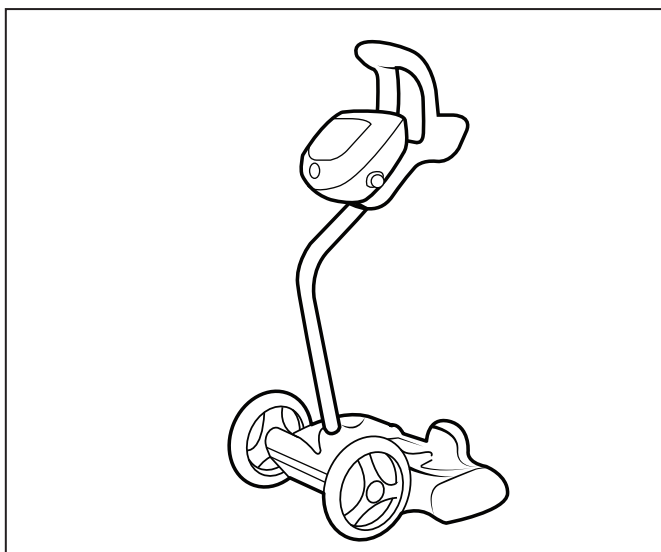
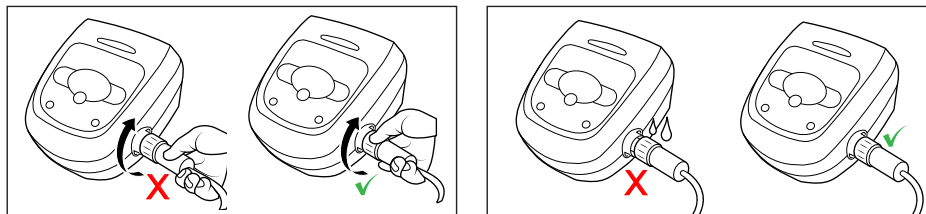


Figure 4. Carrito (en algunos modelos)

5. Enchufe la unidad de control directamente en un tomacorriente GFCI. NO utilice un cable prolongador.

NOTA: Para evitar dañar el cable de alimentación, no intente girar la caja protectora completa del cable (véase a continuación).

NOTA: Para evitar exponer los pines del conector del cable de alimentación al agua, compruebe que el conector esté insertado completamente y no haya separación. (Véase a continuación).



4 Operación del limpiador

⚠ PRECAUCIÓN

Para evitar daños al limpiador, vele por el cumplimiento a las siguientes pautas:

- Retire el limpiador de la piscina después de completado el ciclo de limpieza.
- Almacene el limpiador alejado de la luz solar directa y de los climas adversos.
- Nunca retire el limpiador de la piscina tomándolo del cable flotante.
- Tenga especial cuidado cuando retire el limpiador de la piscina. Se vuelve más pesado cuando está lleno de agua.
- Siempre retire el limpiador de la piscina antes de una cloración fuerte o de agregar ácido.
- No manipule el limpiador cuando está en funcionamiento.

IMPORTANTE

- Siempre compruebe que la cabeza del limpiador esté completamente sumergida antes de comenzar la operación.
- Limpie el cartucho del filtro después de cada ciclo de limpieza.
- No deje el limpiador en la piscina de forma permanente.
- Al finalizar cada ciclo, retire el limpiador de la piscina.
- Comience por el extremo de la cabeza del limpiador y desenrede el cable antes de almacenar el limpiador.

El robot limpiador incluye una función de seguridad que detiene automáticamente el limpiador si está encendido pero no está sumergido en el agua. Para piscinas que cuentan con un área de poca profundidad, esta función de seguridad está programada para que el limpiador se mueva hacia atrás y regrese a la piscina cuando la hélice se encuentre fuera del agua.

Instalación e inmersión del limpiador

1. Con la caja de control conectada a un tomacorriente GFCI, extienda el cable flotante por la piscina hasta alcanzar la mitad del largo de la piscina.
2. Sumerja el limpiador verticalmente (1) y sosténgalo debajo de la superficie, moviendo suavemente de lado a lado (2) hasta que las burbujas se detengan para eliminar todo el aire atrapado dentro (Figure 5).
3. Cuando las burbujas se detengan, deje que el limpiador vaya hasta el fondo de la piscina.
4. Verifique que el limpiador esté en el fondo de la piscina. Elimine el aire adicional si el limpiador continúa flotando.

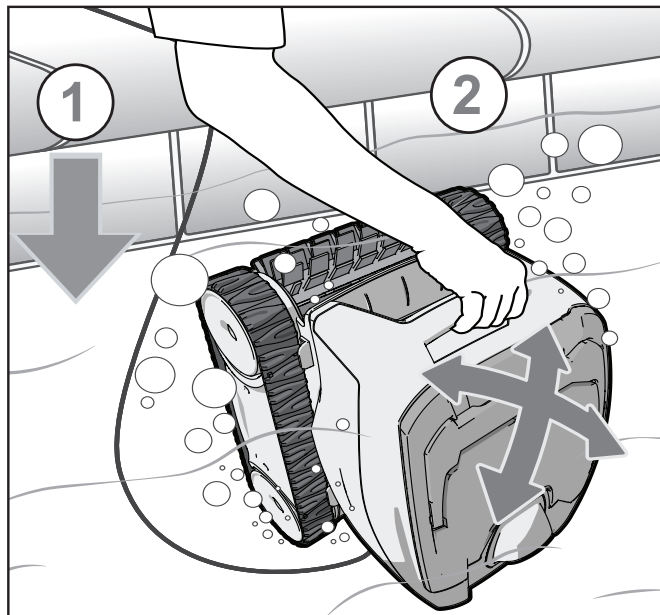


Figure 5. Sumerja y elimine el aire atrapado

NOTA: Para una trayectoria óptima y la reducción del enredo, el cable flotante debe ingresar al agua cerca del punto medio del largo de la piscina (Figure 6).

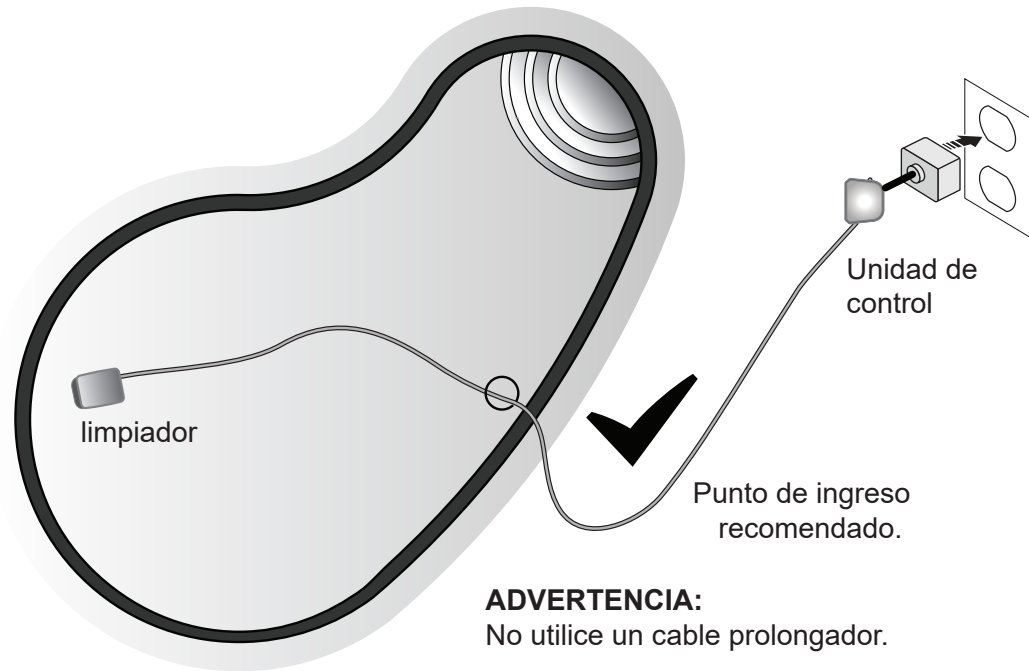


Figure 6. Punto de ingreso a la piscina para una trayectoria óptima

Comenzar/detener la limpieza

Presione el botón de inicio/parada para comenzar o interrumpir la operación del limpiador (Figure 7).

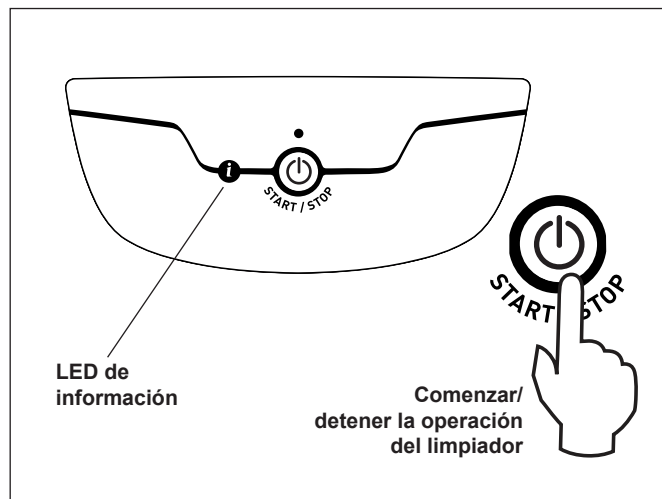


Figure 7. Unidad de control del limpiador

Extraer de la piscina

1. Tire suavemente del cable flotante para traer el limpiador al alcance del brazo.
2. Use la manija para levantar el limpiador del agua (Figure 8). Nunca retire el limpiador de la piscina tomándolo del cable flotante.
3. Sostenga el limpiador verticalmente sobre la superficie de la piscina para drenar el agua antes de extraerlo (Figure 9).

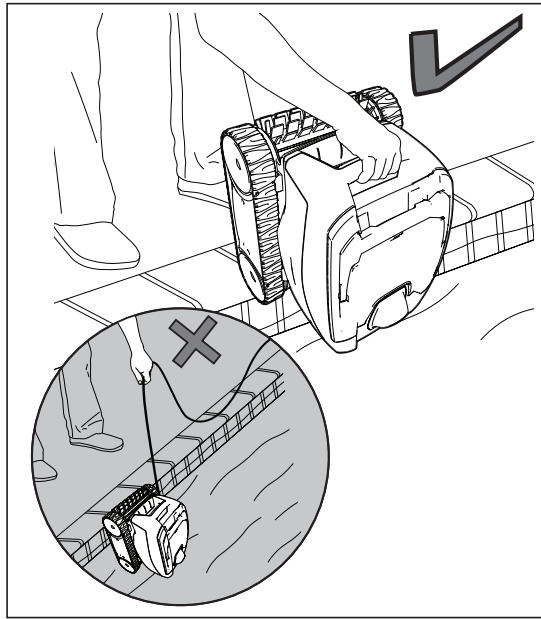


Figure 8. Elevar el limpiador de la piscina con la manija

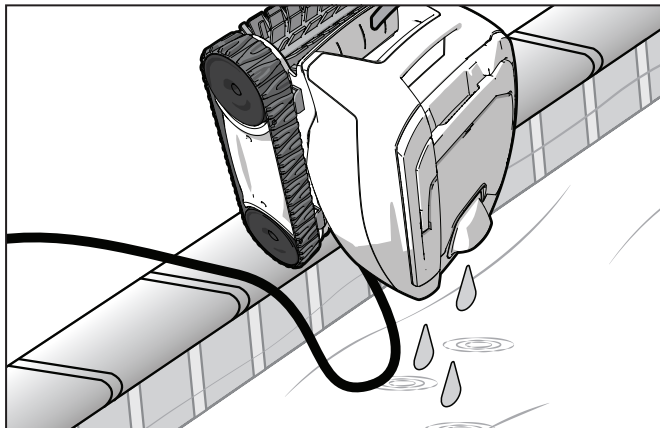


Figure 9. Drenar el agua del limpiador

Limpiar el cartucho del filtro

Vacíe el cartucho tan pronto termine el ciclo.

ADVERTENCIA

Para evitar descargas eléctricas y otros peligros que podrían resultar en lesiones permanentes o la muerte, desconecte (desenchufe) el limpiador de la fuente de alimentación antes de realizar cualquier tarea de limpieza o mantenimiento.

1. Desenchufe la alimentación eléctrica al limpiador en la unidad de control. Desenchufe la unidad de control de la fuente de alimentación.
2. Tire hacia arriba para liberar la manija del cartucho del filtro (Figure 10).

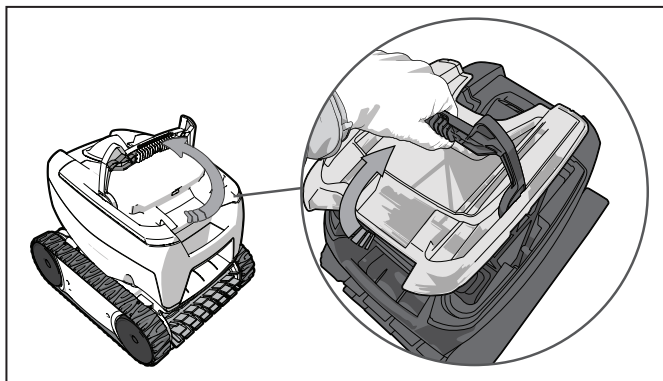


Figure 10. Libere la manija del cartucho del filtro

3. Sostenga la manija y eleve para extraer el cartucho del filtro (Figure 11).

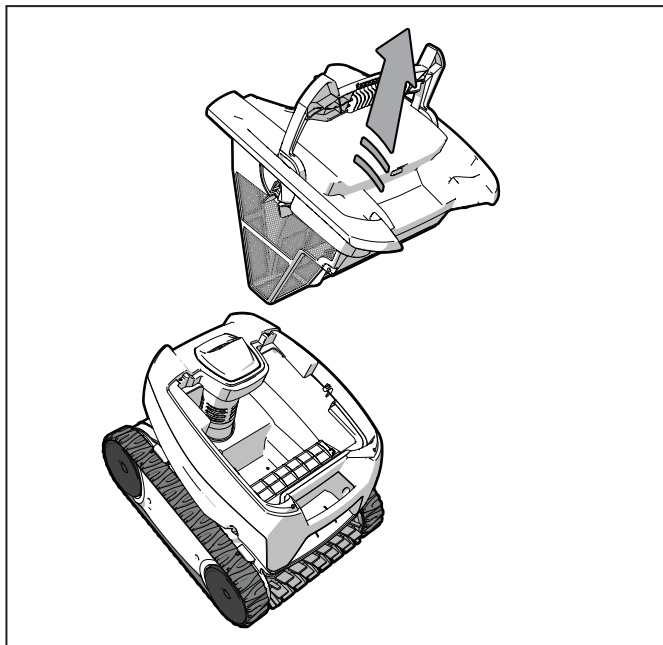


Figure 11. Extraer el cartucho del filtro

4. Presione el pestillo interior y extraiga la tapa del cartucho del filtro (Figure 12).

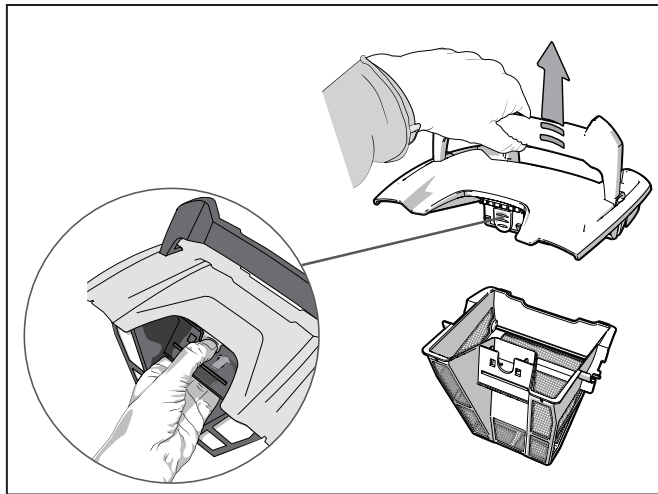


Figure 12. Extraer la tapa del cartucho del filtro

5. Con una manguera con agua limpia, enjuague el cartucho del filtro y la tapa para eliminar todos los residuos (Figure 13).

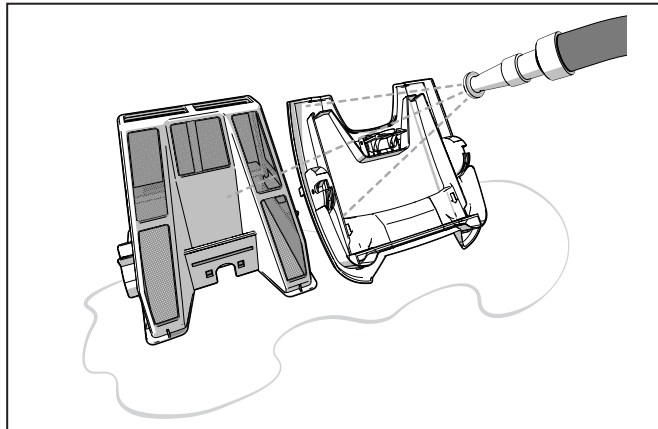


Figure 13. Enjuague el cartucho del filtro

6. Vuelva a colocar la tapa en el cartucho y, a continuación, vuelva a colocar el cartucho en el cuerpo del limpiador.
7. Vuelva a enchufar el cable de suministro eléctrico en la unidad de control y guarde el limpiador alejado de la luz solar directa hasta la próxima vez que lo use.

Almacene el limpiador cuando no lo utilice

El limpiador debe limpiarse con frecuencia con agua limpia con poco jabón. No utilice solventes como tricloroetileno o equivalentes. Enjuague el limpiador con abundante agua limpia. No deje secar el limpiador al sol cerca de la piscina.

1. Desconecte el limpiador de la fuente de alimentación.
2. A partir del cabezal del limpiador, elimine los enrollados y las torceduras del cable flotante (Figure 14). Tienda el cable al sol para que pierda marcas de enredos y torceduras.
3. Desconecte el cable de la unidad de control. Vuelva a colocar la tapa de protección en la unidad de control.

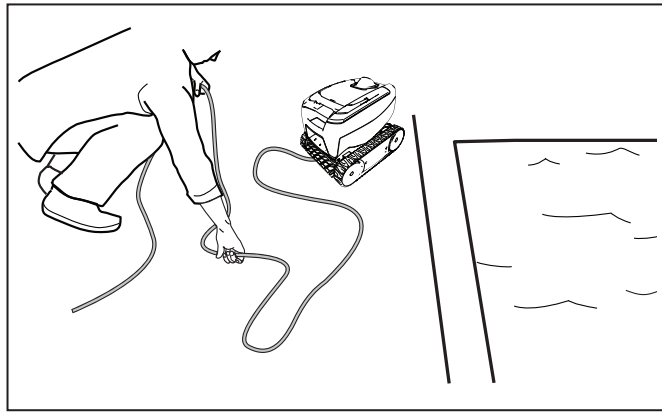


Figure 14. Desenredar el cable flotante

4. Enrolle el cable de flotante sin apretar, comenzando por el limpiador hacia el punto de conexión de la unidad de control.

5 Mantenimiento

ADVERTENCIA

Para evitar descargas eléctricas y otros peligros que podrían resultar en lesiones permanentes o la muerte, desconecte (desenchufe) el limpiador de la fuente de alimentación antes de realizar cualquier tarea de limpieza o mantenimiento.

Enredo del cable

Para optimizar la trayectoria y reducir el enredo, el cable flotante debe ingresar al agua en el punto medio del largo de la piscina (see Figure 15). Tienda todo el cable flotante con cuidado en la piscina. Asegúrese de que el cable no esté torcido ni enrollado.

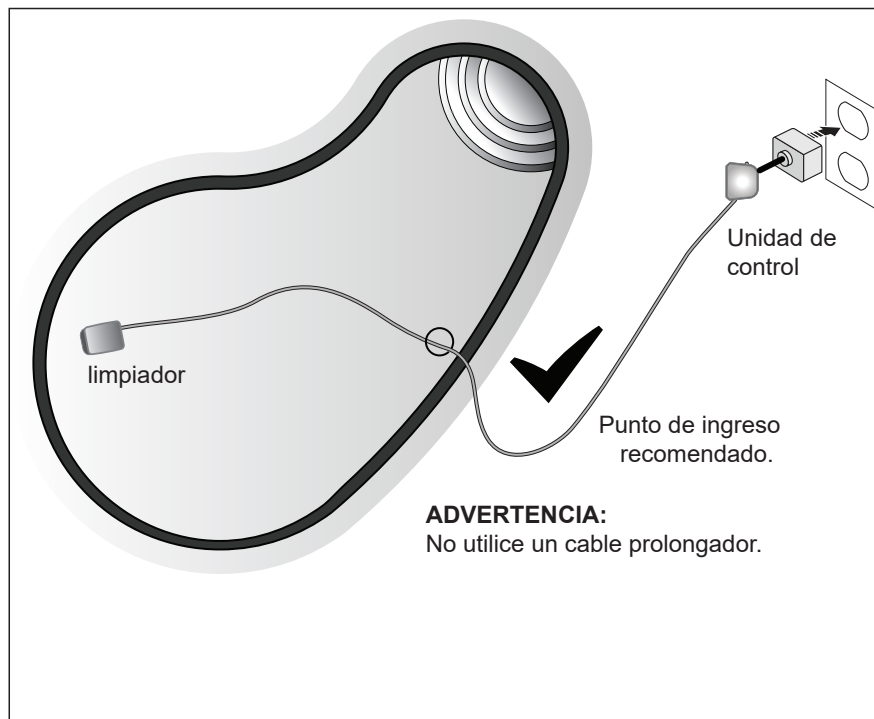


Figure 15. Punto de ingreso óptimo en la piscina

IMPORTANTE

El cable de suministro eléctrico puede enredarse si no se sigue el procedimiento correcto luego de cada ciclo de limpieza.

Si el cable se enreda, siga los siguientes pasos:

1. Tire suavemente del cable flotante para traer el limpiador al alcance del brazo. Cuando el limpiador se encuentre al alcance del brazo, utilice la manija para retirarlo del agua (Figure 16). Nunca retire el limpiador de la piscina tomándolo del cable flotante.

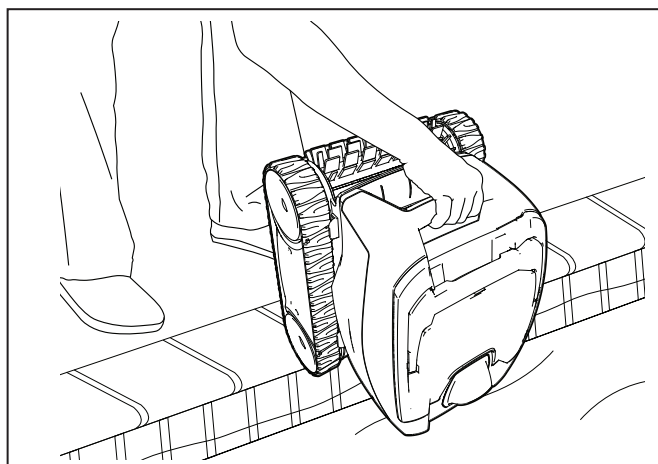


Figure 16. Elevar el limpiador de la piscina con la manija

2. Mantenga el limpiador en posición vertical para que drene (Figure 17).

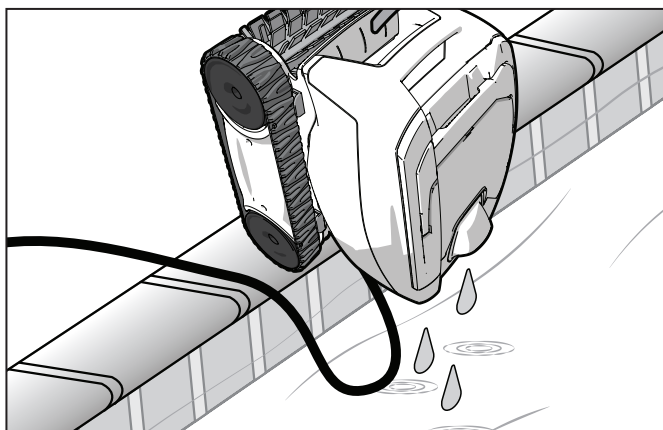


Figure 17. Sostener verticalmente para drenar el agua

3. Desenchufe la alimentación eléctrica del limpiador en la unidad de control (Figure 18).



Figure 18. Desenchufar el cable flotante

4. Extraiga el limpiador de la piscina y elimine nudos y torceduras del cable flotante. Comience por el extremo de la cabeza del limpiador. Tienda el cable al sol para que pierda marcas de enredos y torceduras(Figure 19).

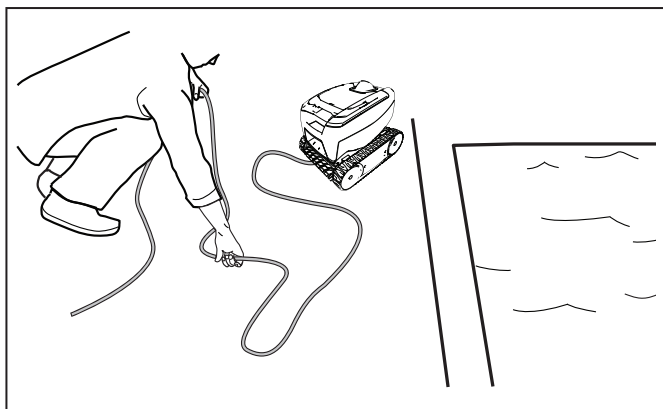


Figure 19. Tender el cable al sol

Reemplazo de cepillos

Cambio de Piezas de Desgaste

El limpiador está equipado con un cepillo en la parte delantera. Hay indicadores de "desgaste" en el cepillo (Figura 19). Para mantener el mejor desempeño del limpiador, reemplace el cepillo tan pronto se alcance el indicador de desgaste. Zodiac le recomienda reemplazar los cepillos cada dos (2) años.

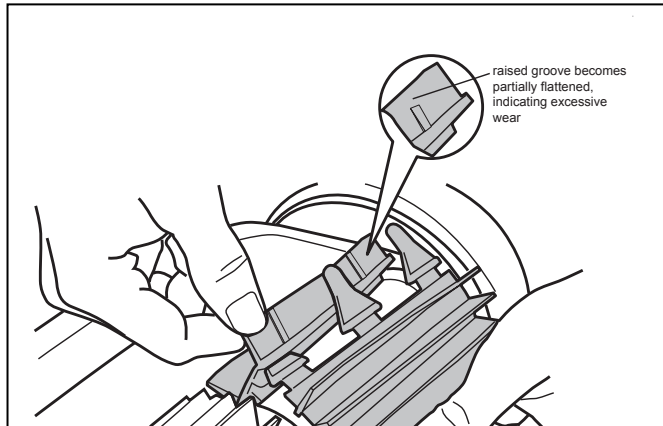


Figure 20. Indicador de cepillo gastado

Para mantener el desempeño del limpiador al máximo, se debe cambiar el cepillo ni bien se alcancen los indicadores de desgaste (aun cuando el desgaste no sea parejo). Se recomienda reemplazar el cepillo cuando la goma se gaste hasta la parte superior del indicador de desgaste (o cada dos años, lo que ocurra primero).

Para reemplazar un cepillo gastado:

1. Separe los bordes del cepillo, quite las lengüetas y extraiga el cepillo desgastado.
2. Posicione el nuevo cepillo debajo del rodillo con las puntas hacia abajo (Figure 21).

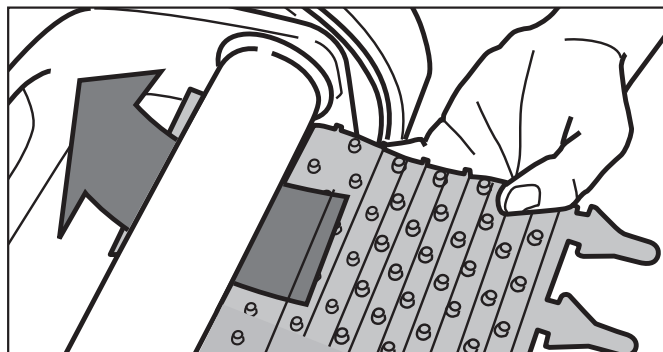


Figure 21. Posicionar el nuevo cepillo en el rodillo

3. Inserte cada lengüeta en la ranura provista y deslícelas suavemente hasta que la base salga del otro lado de la ranura (Figure 22).

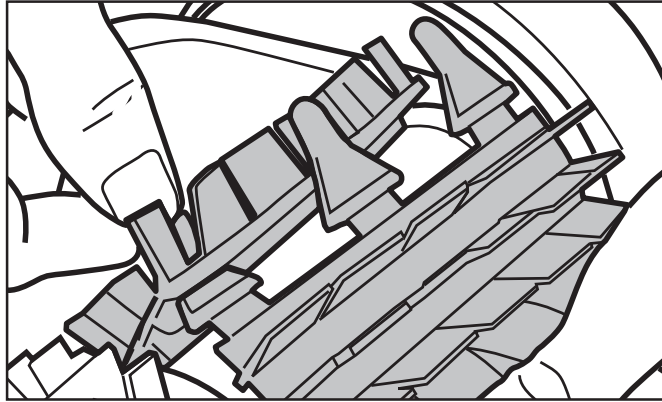


Figure 22. Inserte las lengüetas en cada ranura

4. Corte las lengüetas con tijeras para que no estén más largas que las puntas (Figure 23).

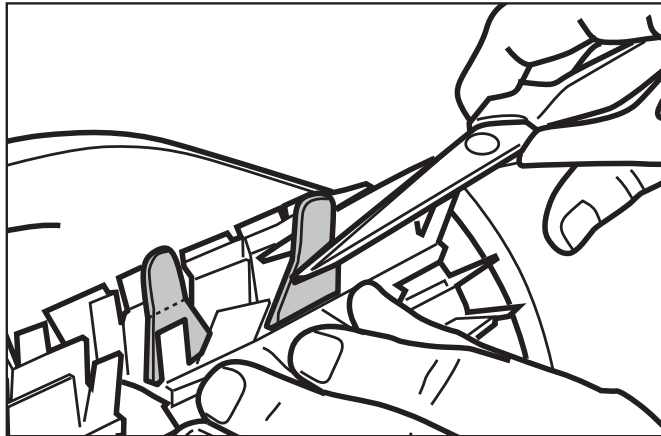


Figure 23. Corte las lengüetas

Reemplazo de la oruga

1. Ponga el limpiador sobre un lado (Figure 24).

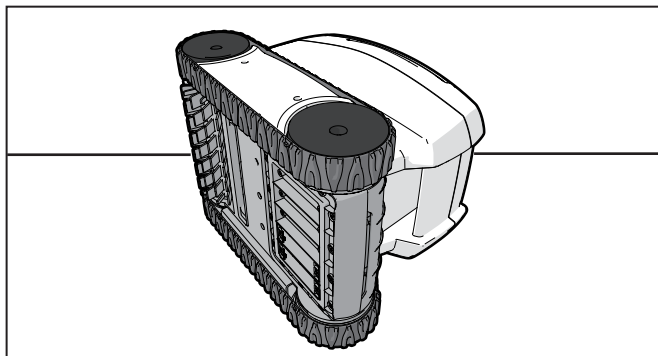


Figure 24. Poner el limpiador sobre un lado

2. A partir de una de las ruedas, tire de la parte interior de la oruga para separar el reborde del neumático de la rueda. Extraiga la oruga del limpiador.
3. Para instalar una nueva oruga, coloque la nervadura interna de la oruga en la ranura de la primera rueda. (See Figure 25).
4. Estire la oruga para colocarla alrededor de la segunda rueda (see Figure 25). Empuje y posicione la nervadura de la oruga para que la oruga se asiente correctamente en la ranura de la rueda.
5. Verifique que la nervadura de la oruga esté posicionada correctamente en la ranura de cada rueda. De ser necesario, gire las ruedas suavemente para asentar la oruga.

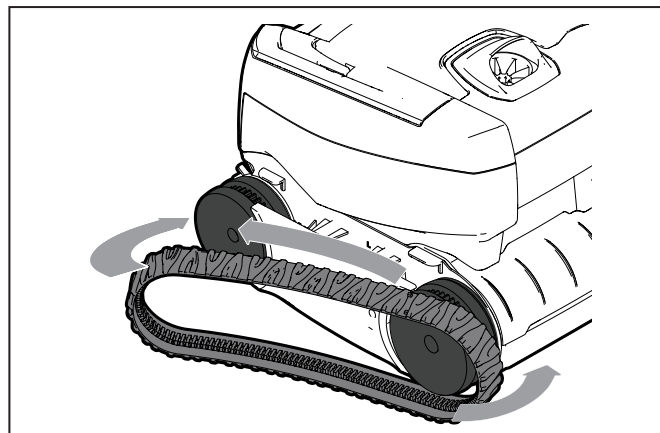


Figure 25. Estirar la oruga alrededor de las ruedas

Repuestos


La lista completa de repuestos y el plano de despiece se encuentran disponibles en la página web de Polaris.

- USA: www.polarispool.com.
- Canada: www.polarispool.ca

Contáctese con el proveedor de servicio técnico local para realizar las pruebas de diagnóstico o reparaciones no incluidas en el mantenimiento general.

6 Resolución de problemas

Cómo usar el LED de información

El LED de información  de la unidad de control parpadea en una secuencia específica para indicar una de tres fallas del limpiador.

Parpadeo del LED	Solución
Parpadeo único El LED parpadea una vez a intervalos de un segundo	<ul style="list-style-type: none"> • Desenchufe el cable flotante de la unidad de control y vuelva a conectarlo. • Si el problema continúa, contacte a su vendedor local para solicitar un análisis de diagnóstico o llame al soporte técnico.
Dos parpadeos El LED parpadea dos veces a intervalos de un segundo	<ul style="list-style-type: none"> • Gire las ruedas del limpiador para asegurarse de que no estén atascadas. • Verifique que no haya residuos en los cepillos. • Comience un nuevo ciclo de limpieza. • Si el problema continúa, contacte a su vendedor local para solicitar un análisis de diagnóstico o llame al soporte técnico.
Tres parpadeos El LED parpadea tres veces a intervalos de un segundo	<ul style="list-style-type: none"> • Limpie el cartucho del filtro. • Verifique que no haya residuos en el eje de la bomba. • Verifique que no haya residuos en la hélice. • Comience un nuevo ciclo de limpieza. • Si el problema continúa, contacte a su vendedor local para solicitar un análisis de diagnóstico o llame al soporte técnico.

Resolución de problemas generales

La lista siguiente proporciona algunas sugerencias útiles para solucionar problemas comunes que pueden surgir al utilizar el limpiador.

Problema	Causa	Solución
El LED de información parpadea poco después de comenzar (presionar el botón de energía o de ciclo durante menos de 20 segundos).	Es posible que el cable flotante no esté enchufado en la unidad de control correctamente.	Desenchufe el cable flotante de la unidad de control y vuelva a conectarlo.
	El limpiador puede no estar completamente sumergido.	Extraiga el limpiador de la piscina y vuelva a sumergirlo. Consulte la sección de instalación e inmersión del limpiador
	La hélice puede estar atascada y no gira adecuadamente	Limpie el cartucho del filtro. Consulte la sección sobre cómo limpiar el cartucho del filtro.
	Las ruedas pueden estar atascadas y no giran adecuadamente.	Gire las orugas y desconecte la unidad de control. Espere al menos 20 segundos antes de volver a conectar. Si el problema continúa, contacte a su vendedor local para solicitar un análisis de diagnóstico o llame al soporte técnico.
El LED de información parpadea durante el ciclo de limpieza.	El limpiador puede estar succionando aire (las luces aparecerán después de la captación de aire durante 60 segundos).	Extraiga el limpiador de la piscina y vuelva a sumergirlo. Consulte la sección de inmersión del limpiador.
El limpiador no permanece firmemente en la parte inferior de la piscina.	Hay aire en el limpiador.	Extraiga el limpiador de la piscina y vuelva a sumergirlo. Consulte la sección de inmersión del limpiador.
	El cartucho del filtro está lleno o sucio.	Limpie el cartucho del filtro. Consulte la sección sobre cómo limpiar el cartucho del filtro.
El limpiador no trepa o ya no trepa a las paredes de la piscina.	El cartucho del filtro está lleno o sucio.	Limpie el cartucho del filtro. Consulte la sección sobre cómo limpiar el cartucho del filtro.
	Las paredes de la piscina están resbalosas. Aunque el agua parece limpia, puede haber algas microscópicas, invisibles al ojo humano, en la piscina. Como resultado, las paredes de la piscina se ponen resbalosas y evitan que el limpiador trepe. Verifique que las orugas no estén desgastadas y reemplácelas de ser necesario.	Lleve a cabo un tratamiento de choque con cloro para reducir los niveles de pH de la piscina. NO deje el limpiador en la piscina durante este tratamiento.
Al ponerlo en marcha, el limpiador no se mueve.	No hay alimentación eléctrica al limpiador.	Compruebe que el tomacorriente al cual está conectada la unidad de control esté recibiendo energía eléctrica.
	La unidad está APAGADA.	Presione Start/Stop (Iniciar/detener) nuevamente. Si el problema continúa, contacte a su vendedor local para solicitar un análisis de diagnóstico o llame al soporte técnico.

Problema	Causa	Solución
El cable está enredado en la piscina.	El cable no está tendido de manera pareja en el agua.	Verifique que el cable flotante ingrese al agua cerca del medio de la longitud de la piscina. Consulte la sección sobre enredo del cable. Tienda todo el cable flotante con cuidado en la piscina. Asegúrese de que el cable no esté torcido ni enrollado.
El limpiador no limpia eficazmente.	Los cepillos se suavizaron o el indicador de "desgaste" está a la vista.	Reemplace los cepillos según el procedimiento de reemplazo de los cepillos
	El cartucho del filtro está lleno o sucio.	Limpie el cartucho del filtro. Siga el procedimiento de la sección sobre cómo limpiar el cartucho del filtro.
	El cable flotante está excesivamente enrollado o torcido.	Asegúrese de que el cable flotante esté tendido correctamente en la piscina. Asegúrese de que el cable no esté enrollado de manera ajustada al guardarlo. Si el problema continúa, tienda el cable recto en el sol para relajarlo y eliminar torceduras. Siga el procedimiento de la sección sobre el enredo de cable para corregirlo.
	La oruga se sale de las ruedas	Verifique que la oruga esté insertada correctamente en la ranura de la rueda. Si el problema continúa, reemplace la oruga. Consulte la sección sobre cómo reemplazar la oruga..

NOTES

Zodiac Pool Systems LLC

2882 Whiptail Loop # 100, Carlsbad, CA 92010

1.800.822.7933 | Polaris.Pool.com

Zodiac Pool Systems Canada, Inc.

2-3365 Mainway, Burlington, ON L7M 1A6 Canada

1.88.647.4004 | PolarisPool.ca

