



MaxFlo XL™

»»» Medium-Head Pump Series

ADVANCED HYDRAULICS FOR
MORE EFFICIENT PERFORMANCE



Clear strainer cover seals with less than a ¼ turn and lets you see when the basket needs cleaning

Aligns with the entire MaxFlo™ line for seamless retrofit installations

Easy 4-bolt access makes servicing simple

1½" x 2" union connections in all models

Pressure testable to 50 psi maximum

Heavy-duty motor provides performance you can trust

Advanced hydraulics for increased energy efficiency and priming ability

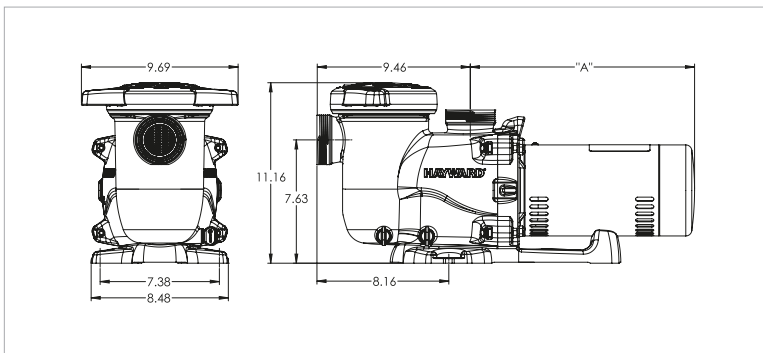
Optional riser base (SPX2300GR) provides alignment with Sta-Rite® Dyna-Pro®



SPECIFICATIONS

MODEL NUMBER	TOTAL H.P.	RATED H.P.	SERVICE FACTOR	VOLTAGE	UNION CONNECTIONS	DIM. "A"	CTN. QTY.	CTN. WEIGHT
Energy Efficient Max Rated Single-Speed								
SP2305X7EESP*	0.95	¾	1.27	115/208-230	1½" x 2"	13¾"	1	34 lbs.
SP2305X7EE	0.95	¾	1.27	115/208-230	1½" x 2"	13¾"	1	34 lbs.
Standard Efficient Max Rated Single-Speed								
SP2305X7	0.95	¾	1.27	115/208-230	1½" x 2"	13¾"	1	34 lbs.
SP2307X10	1.25	1	1.25	115/208-230	1½" x 2"	14¼"	1	37 lbs.
SP2310X15	1.65	1½	1.1	115/208-230	1½" x 2"	15½"	1	42 lbs.
SP2315X20	2.10	2	1.05	115/208-230	1½" x 2"	15½"	1	45 lbs.
Energy Efficient Max Rated Dual-Speed								
SP2307X102*	1.25	1	1.25	230	1½" x 2"	15"	1	41 lbs.
SP2310X152*	1.65	1½	1.1	230	1½" x 2"	15½"	1	43 lbs.
SP2315X202*	2.10	2	1.05	230	1½" x 2"	16"	1	46 lbs.

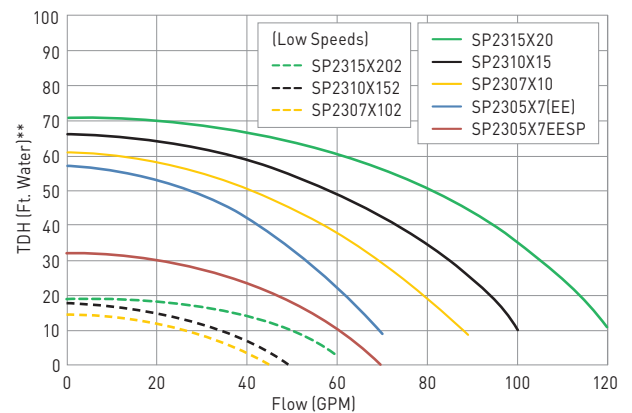
MAXFLO XL™ DIMENSIONS (INCHES)



*ENERGY STAR certified

**2.31 Feet of Water = 1 PSI

MAXFLO XL MEDIUM HEAD PUMPS



MaxFlo XL series pumps are listed by:



Select MaxFlo XL pumps are certified by:



» hayward.com » 1-888-HAYWARD

Pumps » Filters » Heaters » Cleaners » Sanitization » Automation » Lighting » Water Features » White Goods

Hayward, Hayward & Design and the H logo are registered trademarks and MaxFlo and MaxFlo XL are trademarks of Hayward Industries, Inc. ENERGY STAR is a registered mark owned by the U.S. government. © 2018 Hayward Industries, Inc.

LITMAXFLXL18

