



Variable Speed Swimming Pool Heat Pump

Installation & Instruction Manual

Models:

HP55CLEE1

HP60CLEE1



Hayward Pool Products Canada, Inc.
2880 Plymouth Drive, Oakville, ON L6H 5R4
Haywardpool.ca / 1-888-238-7665

CONTENTS

Table of Contents

1. Preface	Page 3
2. Specification	Page 4
2.1 Performance Data of Swimming Pool Heat Pump Unit	
2.2 The Dimensions for Swimming Pool Heat Pump Unit	Page 5
3. Installation and Connection	Page 6
3.1 Installation Illustration	
3.2 Swimming Pool Heat Pump Location	Page 7
3.3 How Close to your Pool?	
3.4 Swimming Pool Heat Pumps Plumbing	Page 8
3.5 Swimming Pool Heat Pumps Electrical Wiring	Page 9
3.6 Initial Startup of the Unit	
4. Usage	Page 10
4.1 Function of Wire Controller	
4.2 Key Function Instruction	
4.3 Setting Temperature	Page 11
4.4 Mode Switch	Page 12
4.5 Keyboard Lock	
4.6 Outlet Water Temperature	Page 13
4.7 One-Click Mute	
4.8 Malfunction Display	Page 14
4.9 Clock Setting	
4.10 System Time Setting	
4.11 Setting and Cancellation of Timing	Page 15
4.12 Malfunction Table	Page 17
4.13 Parameter List	Page 19
5. Maintenance and Inspection	Page 19
5.1 Winterization	
6. Appendix	Page 20
6.1 Connection of PCB Illustration	
6.2 Wiring Diagram	Page 22
6.3 Exploded View & Spare Parts List	Page 23
6.4 Caution & Warnings	Page 27
6.5 Cable Specification	Page 28

1. PREFACE

To provide our customers with quality, reliability and versatility, this product has been made to strict production standards. This manual includes all the necessary information about installation, debugging, discharging and maintenance. Please read this manual carefully before you open or maintain the unit. The manufacture of this product will not be held responsible if someone is injured or the unit is damaged, because of improper installation, debugging, or unnecessary maintenance. It is vital that the instructions within this manual are always adhered to. The unit must be installed by qualified personnel.

- The unit can only be repaired by qualified installer centre, personnel, or an authorised dealer.
- Maintenance and operation must be carried out according to the recommended time and frequency, as stated in this manual.
- Use genuine standard spare parts only. Failure to comply with these recommendations will invalidate the warranty.
- Swimming Pool Heat Pump Unit heats the swimming pool water and keeps the temperature constant. For split type unit, the indoor unit can be Discretely hidden or semi-hidden to suit a luxury house.

Our heat pump has following characteristics:

1. Durable

- The heat exchanger is made of PVC & Titanium tube which can withstand prolonged exposure to swimming pool water.

2. Installation Flexibility

- The unit can be installed outdoors.

3. Quiet Operation

- The unit comprises an efficient rotary/ scroll compressor and a low-noise fan motor, which guarantees its quiet operation.

4. Advanced Controlling

- The unit includes micro-computer controlling, allowing all operation parameters to be set. Operation status can be displayed on the LCD wire controller. Remote controller can be chosen as future option.

2. SPECIFICATION

2.1 Performance data of Swimming Pool Heat Pump Unit

***REFRIGERANT: R410A

UNIT		HP55CLEE1	HP60CLEE1
Rated Heating Power Input	kW	3.24	3.44
Range	kW	0.684-3.24	0.67-3.44
Rated Running Current	A	14.37	15.26
Range	A	2.91-14.37	2.97-15.26
Power Supply	V/Hz	208/230V~/60Hz	208/230V~/60Hz
Compressor Quantity		1	1
Compressor		Rotary	Rotary
Fan Quantity		1	1
Fan Power Input	W	75	75
Fan Rotate Speed	RPM	600-800	500-750
Fan Direction		Horizontal	Horizontal
Noise	dB(A)	42-54	43-54
Water Connection	Inch	1.5"	1.5"
Water Flow Volume	M3/h/gpm	5.2/22.9	5.9/26.1
Water Pressure Drop (max)	kPa/psi	5.5/0.80	7.8/1.13
Unit Net Dimensions (L/W/H)	mm/in	1047.5×453×770.5/ 41.2×17.8×30.3	1047.5×453×770.5/ 41.2×17.8×30.3
Unit Ship Dimensions (L/W/H)	mm/in	1210×510×880/ 47.6×20.1×34.6	1210×510×880/ 47.6×20.1×34.6
Net Weight		See Nameplate	
Shipping Weight		See Package Label	

Rated Heating: *Outdoor air temp: 27°C / 24.3°C, Inlet Water Temp: 26.7°C

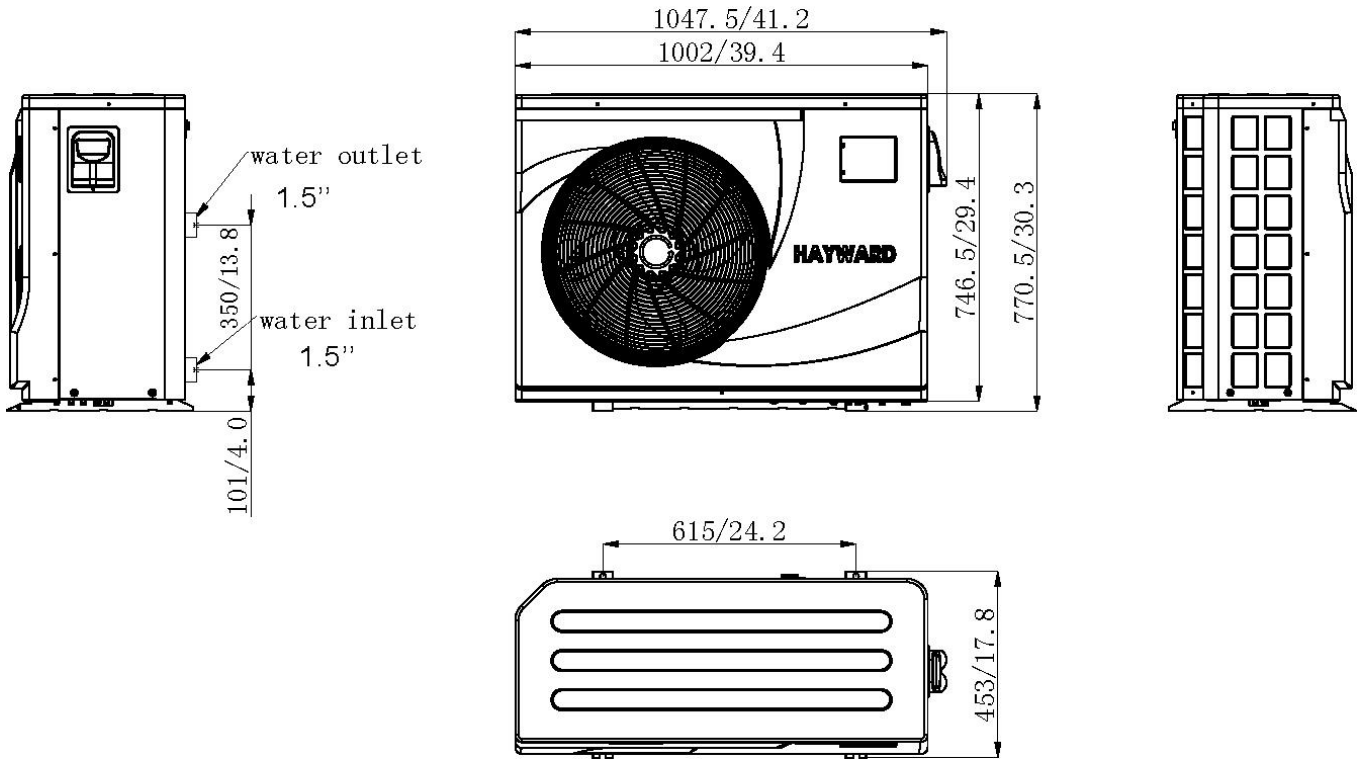
During Heating: Running Ambient Temperature: -5°C - 43°C

2. SPECIFICATION

2.2 The Dimensions for Swimming Pool Heat Pump Unit

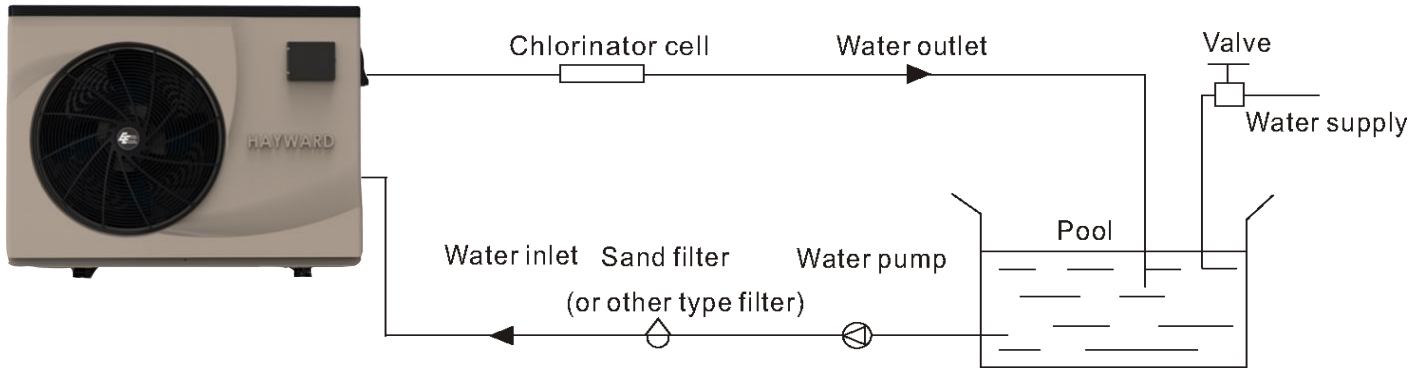
Model: HP55CLEE1 / HP60CLEE1

Unit: mm



3. INSTALLATION AND CONNECTION

3.1 Installation Illustration



Installation Items:

The factory only provides the main unit and the water unit; the other items in the illustration are necessary spare parts for the water system, that provided by users or the installer.

Attention:

Please follow these steps when using for the first time

1. Open valve and charge water.
2. Make sure that the pump and the water-in pipe have been filled with water.
3. Close the valve and start the unit.

ATTN: It is necessary that the water-in pipe is higher than the pool surface.

The schematic diagram is for reference only. Please check the water inlet/outlet label on the heat pump while plumbing installation.

3. INSTALLATION AND CONNECTION

3.2 Swimming Pool Heat Pump Location

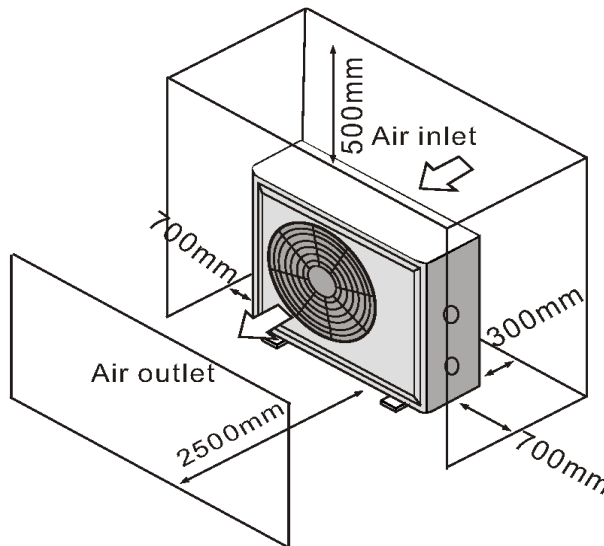
The unit will perform well in any outdoor location provided that the following three factors are presented:

- 1. Fresh Air - 2. Electricity - 3. Pool Filter Piping

The unit may be installed virtually anywhere outdoors. For indoor pools please consult the supplier. Unlike a gas heater, it has no draft or pilot light problem in a windy area.

DO NOT place the unit in an enclosed area with a limited air volume, where the units discharge air will be re-circulated.

DO NOT place the unit to shrubs which can block air inlet. These locations deny the unit of a continuous source of fresh air which reduces it efficiency and may prevent adequate heat delivery.



3.3 How Close to Your Pool?

Normally, the pool heat pump is installed within 7.5 metres of the pool. The longer the distance from the pool, the greater the heat loss from the piping. For the most part, the piping is buried. Therefore, the heat loss is minimal for runs of up to 15 meters (15 meters to and from the pump = 30 meters total), unless the ground is wet, or the water table is high. A very rough estimate of heat loss per 30 meters is 0.6 kW-hour, (2000BTU) for every 5 °C difference in temperature between the pool water and the ground surrounding the pipe, which translates to about 3% to 5% increase in run time.

3. INSTALLATION AND CONNECTION

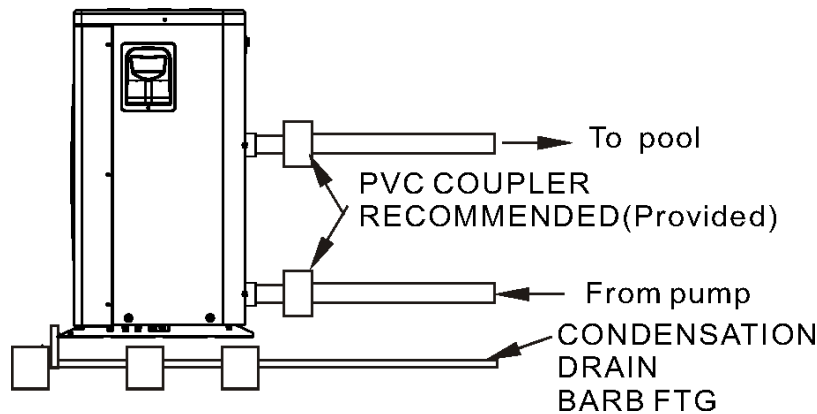
3.4 Swimming Pool Heat Pumps Plumbing

The Swimming Pool Heat Pumps exclusive rated flow titanium heat exchanger requires no special plumbing arrangements except bypass (please set the flow rate according to the nameplate). The water pressure drop is less than 10kPa at max. Flow rate. Since there is no residual heat or flame Temperatures, the unit does not need copper heat sink piping. PVC pipe can be run straight into the unit.

Location: Connect the unit in the pool pump discharge (return) line downstream of all filter and pool pumps, and upstream of any chlorinators, ozonators or chemical pumps.

Standard model has slip glue fittings which accept 32mm or 50 mm PVC pipe for connection to the pool or spa filtration piping. By using a 50 NB to 40NB you can plumb 40NB

Give serious consideration to adding a quick coupler fitting at the unit inlet and outlet to allow easy draining of unit for winterizing and to provide easier access should servicing be required.



Condensation: Since the Heat pump cools down the air about 4 -5°C, water may condense on the fins of the horseshoe shaped evaporator. If the relative humidity is very high, this could be as much as several litres an hour. The water will run down the fins into the basepan and drain out through the barbed plastic condensation drain fitting on the side of the basepan. This fitting is designed to accept 20mm clear vinyl tubing which can be pushed on by hand and run to a suitable drain. It is easy to mistake the condensation for a water leak inside the unit.

NB: A quick way to verify that the water is condensation is to shut off the unit and keep the pool pump running. If the water stops running out of the basepan, it is condensation. AN EVEN QUICKER WAY IS to TEST THE DRAIN WATER FOR CHLORINE - if there is no chlorine present, then it's condensation.

3. INSTALLATION AND CONNECTION

3.5 Swimming Pool Heat Pumps Electrical Wiring

NOTE: Although the unit heat exchanger is electrically isolated from the rest of the unit, it simply prevents the flow of electricity to or from the pool water. Grounding the unit is still required to protect you against short circuits inside the unit. Bonding is also required.

The unit has a separate molded-in junction box with a standard electrical conduit nipple already in place. Just remove the screws and the front panel, feed your supply lines in through the conduit nipple and wire-nut the electric supply wires to the three connections already in the junction box. To complete electrical hookup, connect Heat Pump by electrical conduit, UF cable or other suitable means as specified (as permitted by local electrical authorities) to a dedicated AC power supply branch circuit equipped with the proper circuit breaker, disconnect or time delay fuse protection.

NOTICE: When GFCI breakers are required by installation codes, the product will operate satisfactorily when using a Siemens QFxxxA series GFCI breaker. This GFCI series breaker has been tested and found to not cause nuisance trips. GFCI nuisance trips are not covered under warranty.

Disconnect - A disconnect means (circuit breaker, fused or un-fused switch) should be located within sight of and readily accessible from the unit, this is common practice on commercial and residential air conditioners and heat pumps. It prevents remotely energizing unattended equipment and permits turning off power at the unit while the unit is being serviced.

3.6 Initial Startup of the Unit

NOTE- For the unit to heat the pool or spa, the filter pump must be running to circulate water through the heat exchanger.

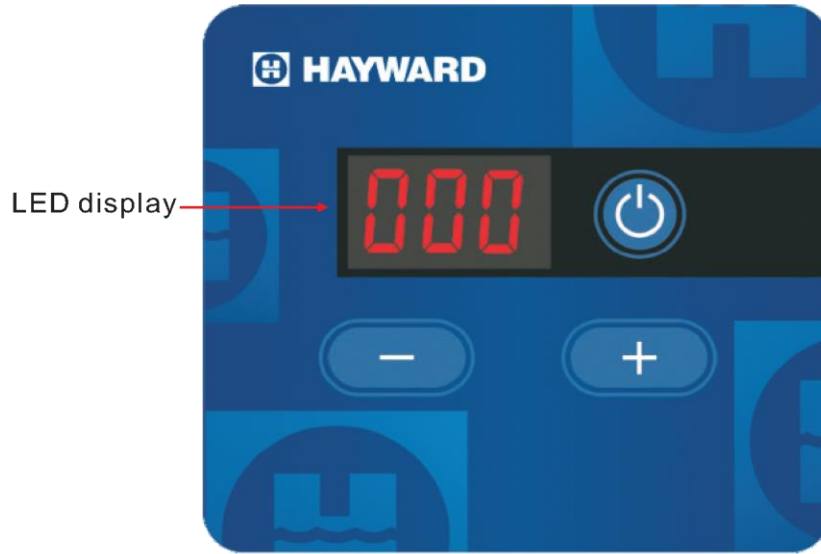
Start up Procedure - After installation is completed, you should follow these steps:

1. Turn on your filter pump. Check for water leaks and verify flow to and from the pool.
2. Turn on the electrical power supply to the unit, then press the key ON/OFF of wire controller, it should start in several seconds.
3. After running a few minutes make sure the air leaving the top(side) of the unit is cooler (Between 5-10°C)
4. With the unit operating turn the filter pump off. The unit should also turn off automatically,
5. Allow the unit and pool pump to run 24 hours per day until desired pool water temperature is reached.
4. When the water-in temperature reach setting, the unit just shuts off. The unit will now automatically restart (if your pool pump is running) when the pool temperature drops more than 2°C below set temperature.

Time Delay- The unit is equipped with a 3-minute built-in solid state restart delay included to protect control circuit components and to eliminate restart cycling and contactor chatter. This time delay will automatically restart the unit approximately 3 minutes after each control circuit interruption. Even a brief power interruption will activate the solid state 3-minute restart delay and prevent the unit from starting until the 5-minute countdown is completed. Power interruptions during the delay period will have no effect on the 3-minute countdown.

4. Usage

4.1. Function of Wire Controller

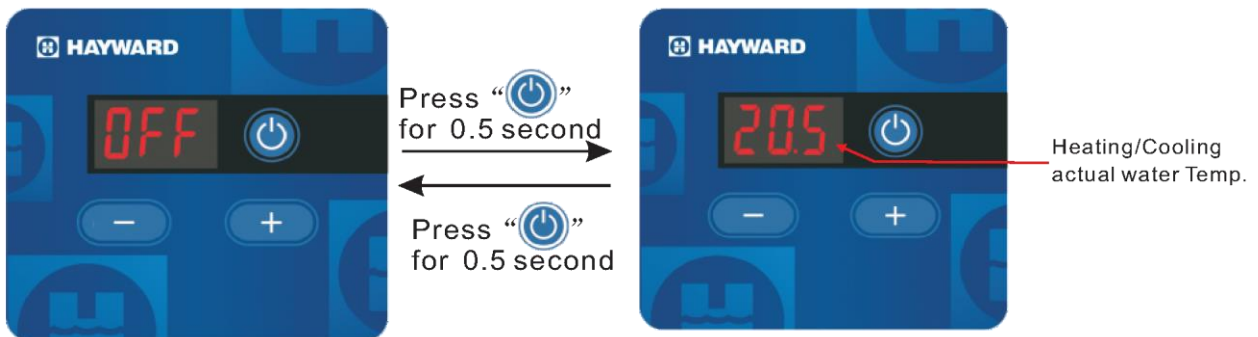


Key	Key name	Key function
	ON/OFF	Press this key to turn on/off the unit.
	Up	Press this key to select the upward option or increase the parameter value.
	Down	Press this key to select the downward option or decrease the parameter value.

4.2. Key Function Instruction



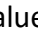
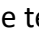
Turn ON/OFF the unit


When the unit is off, press the key “” and hold on for 0.5 seconds to turn on the unit; When the unit is on, press the key “” and hold on for 0.5 seconds to turn off the unit



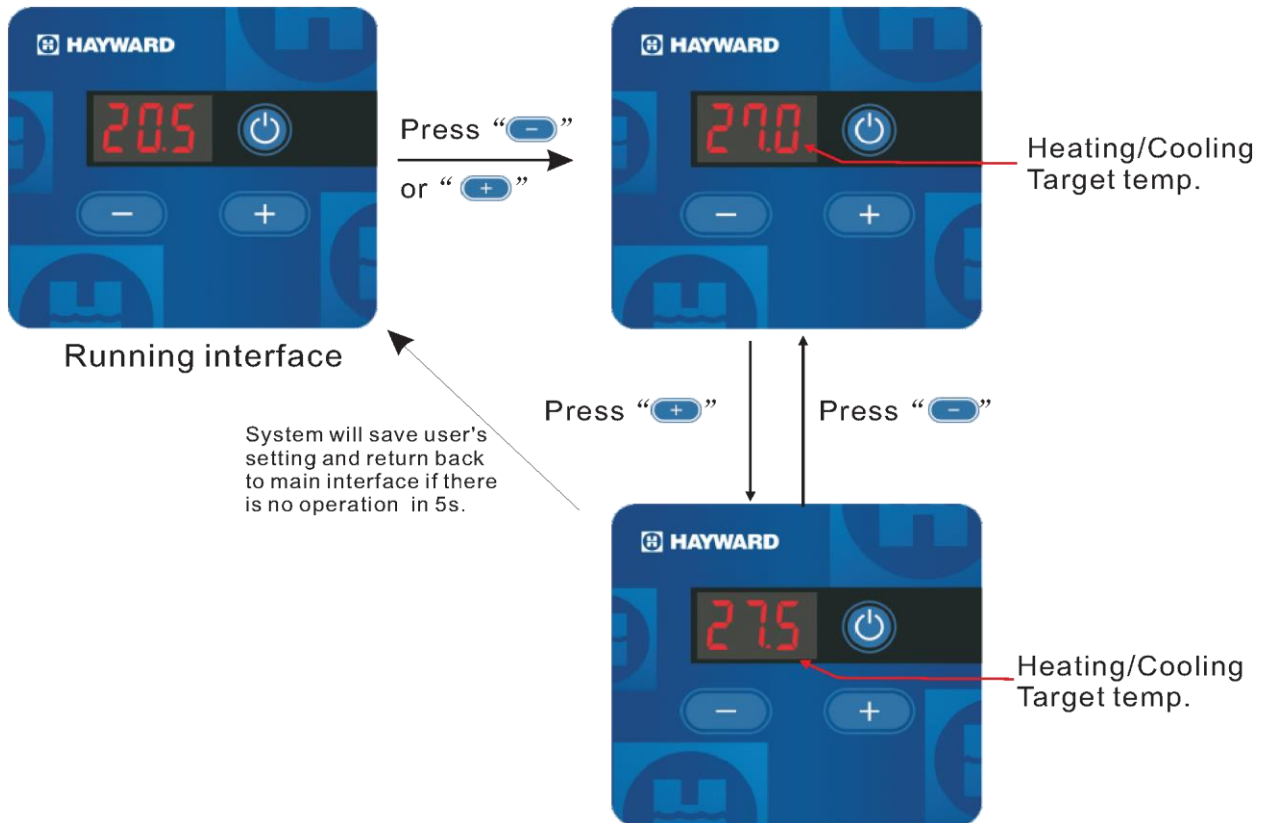
4. Usage

4.3. Setting temperature




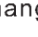
In the running interface, press “” or “” then the current mode target-temperature flashes, then press “” to increase the temp. value, or press “” to decrease it.

Press “” will not save setting parameter but back to the main interface.

Attention: If there is no operation for 5 seconds, system will memorize parameter setting and go back to the main interface.



Remark:

Operation	Short press, long press “  ” or “  ” to change each time within 2s	Long press “  ” or “  ” for more than 2s to change each time
Range of temp. variation	0.1°C/°F	1°C/°F

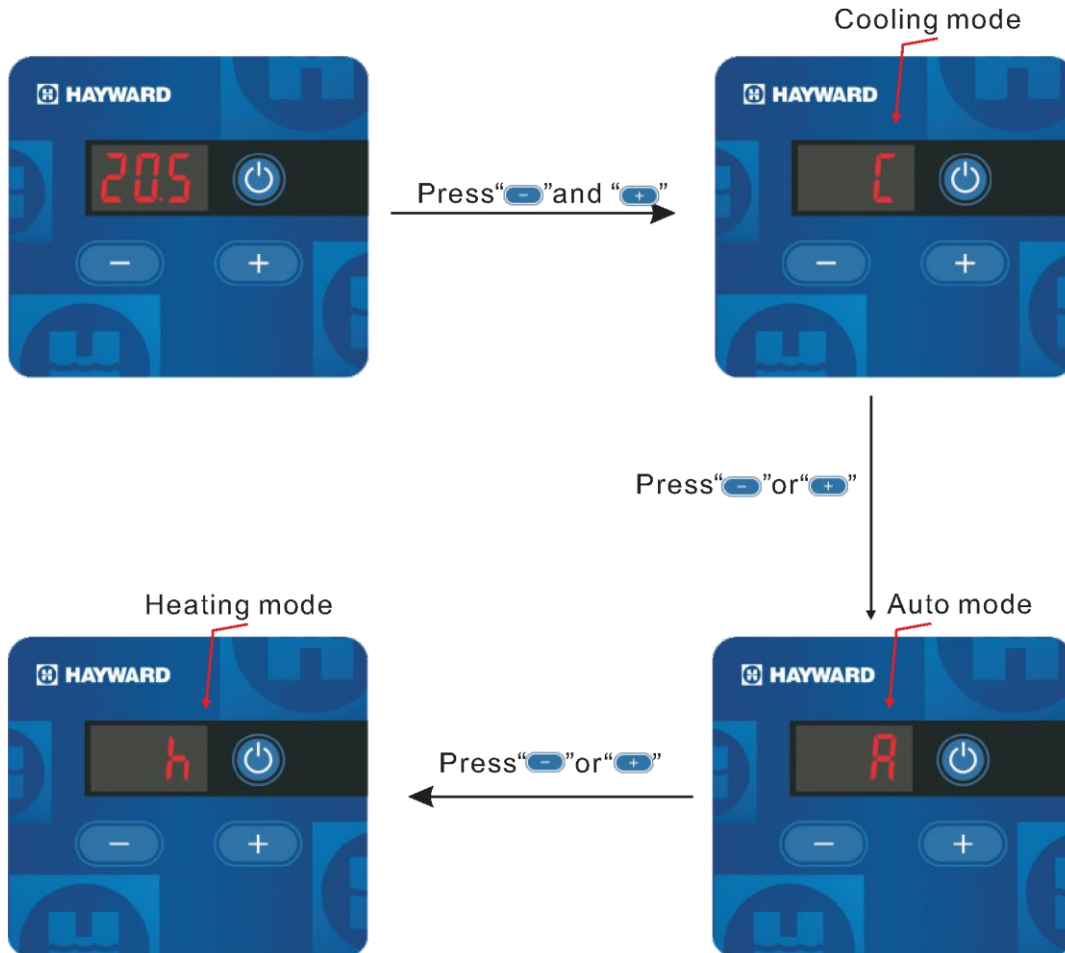
In the main interface, press the key “” and “” for 5 seconds to switch between °C and °F.

4. Usage

4.4 Mode Switch

In the main interface, press the key “-” and “+” for 0.5 seconds can set the mode, press “-” or “+” to change the current mode, you can switch different modes of cooling, heating and auto mode.

If there is no operation for 5 seconds, the system will memorize the current mode and back to the main interface. If press “⏻” the change will not be saved and return to the main interface. The modes switching is useless of the unit you buy is single-cold/single-heat unit.



4.5 Keyboard Lock

To avoid mis-operations, please lock the controller after parameter setting. In the main interface, pressing “⏻” for 5 seconds, and at the same time the wire controller will buzz for 1s, the keyboard is locked.

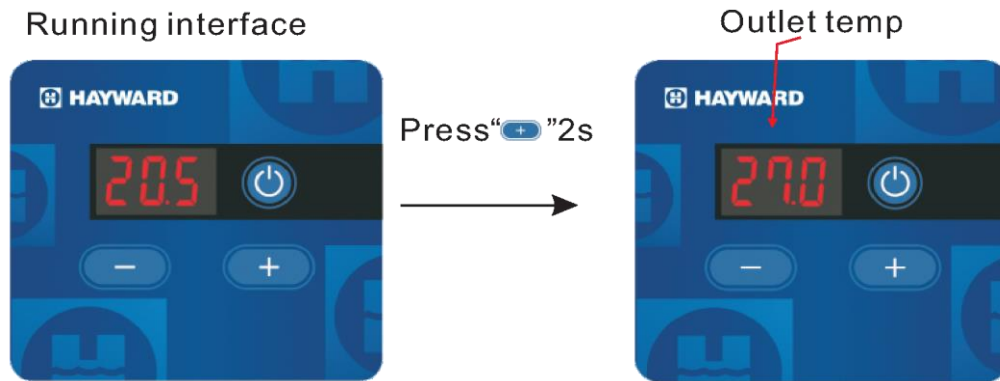
When the keyboard is locked, pressing “⏻” for 5 seconds, and at the same time the wire controller will buzz for 1s, they keyboard is unlocked.

NOTE: When the unit is in alarming state, the key lock can be removed automatically.

4. Usage

4.6 Outlet Water Temperature

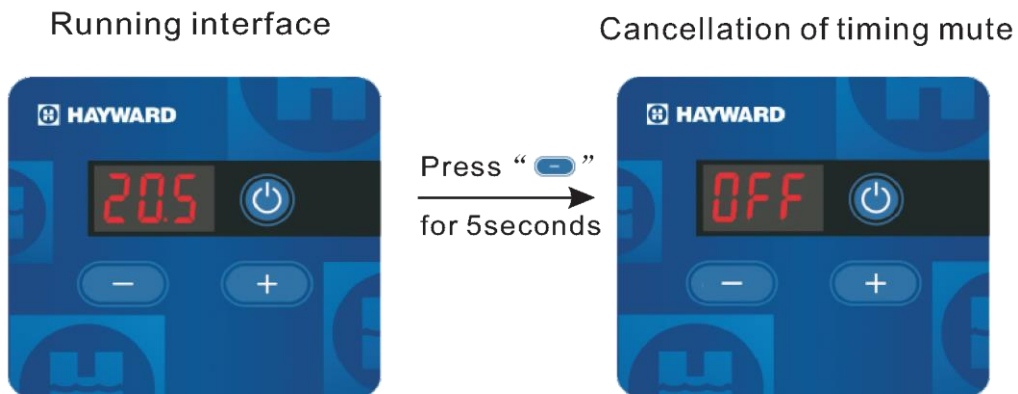
In the main interface, press “+” 2 seconds can check the outlet water temperature, and at the same time the wire controller will buzz for 1s and the outlet water temperature will flicker display. If there is no operation for 10s or press “⏻” system will back to the main interface.



4.7 One-Click Mute

In the main interface, press “-” for 5 seconds can change the current mode. If the digital display is “ON”, it means the one-click mute has been set. If the digital display is “OFF”, it means cancellation of one-click mute.

If there is no operation for 5 seconds system will save the current mode and back to the main interface.



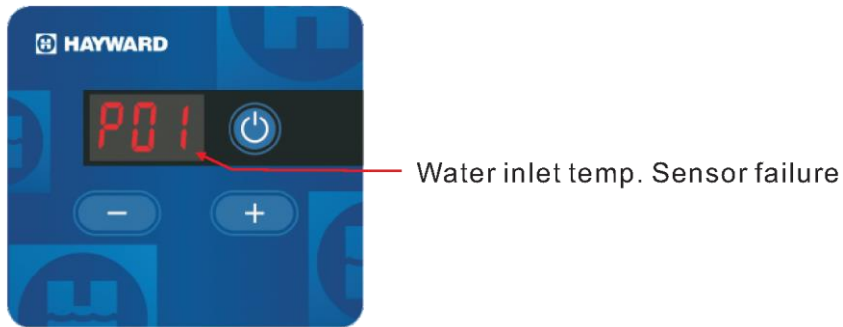
4. Usage

4.8 Malfunction Display

There will be malfunction code showing on the controller screen when relative malfunction occurs. If there are more than one malfunction occurs at the same time, you can check the current error codes list by pressing “-” or “+” key.

You can refer to the malfunction table to find out the failure cause and solution.

For example:



4. Usage

4.9. Clock Setting

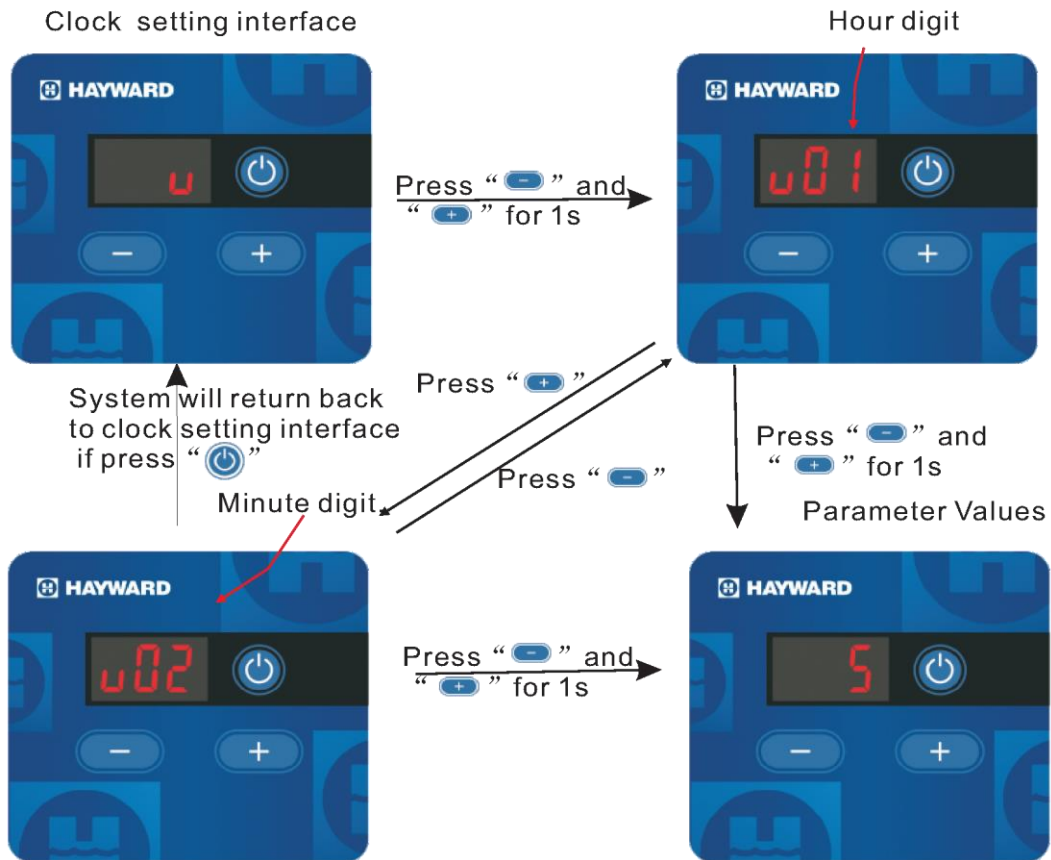
In the main interface, keep long press of “-” and “+” for 10s for entering password setting interface.

Press “-” or “+” to change the password, choose password “066” and wait for 3 second, it will enter user setting interface. (Password: 066, unchangeable).

In the user setting interface, short press “-” or “+” can select Parameter Groups “v”, keep long press of “-” and “+” for 1 second entering clock setting interface.

4.10 System Time Setting

In the clock setting interface, press “-” or “+” to choose the time parameter.

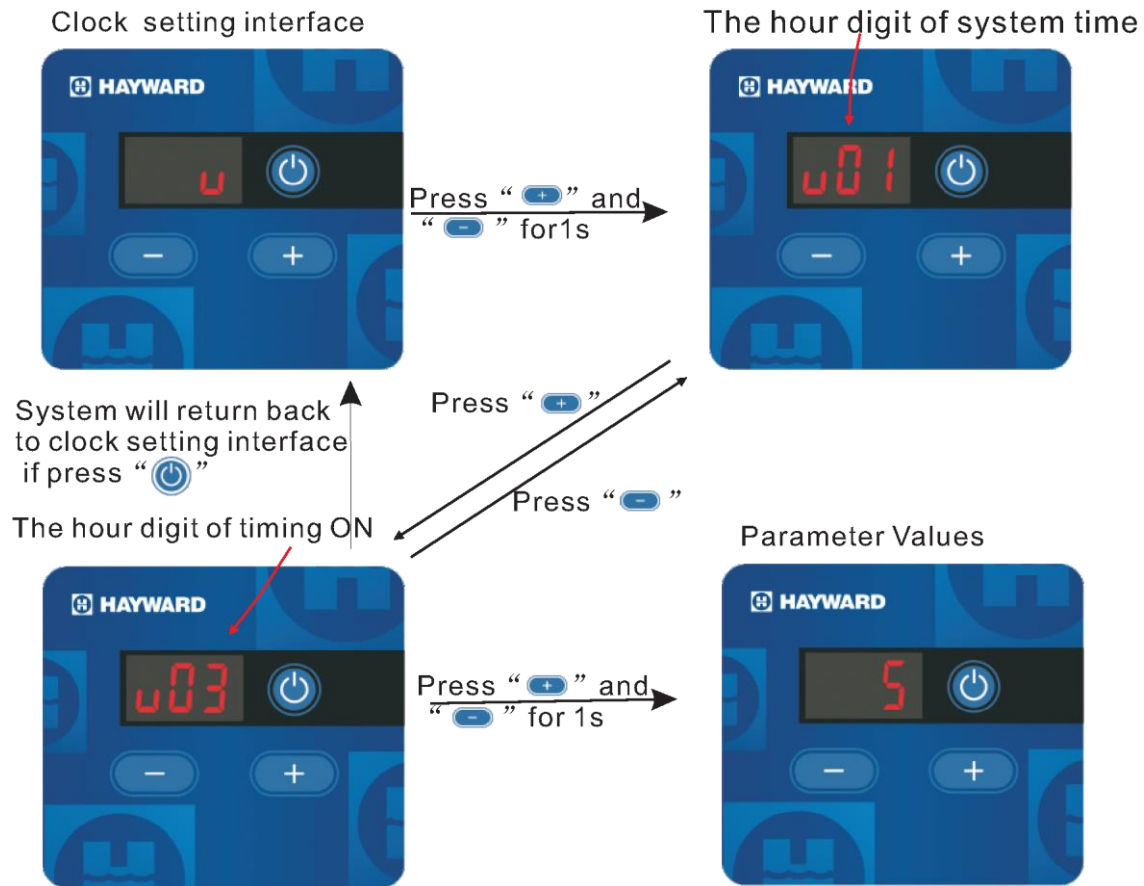


In the parameter value interface, press “-” or “+” to change the hour digit and minute digit. If there is no operation for 5s, the system will memorize parameter setting, and return to parameter value setting interface.

4. Usage

4.11 Setting and cancellation of timing ON and OFF

In the clock setting interface, press “-” or “+” to choose the timing parameter



In the hour digit of timing ON interface, short press “-” or “+” to circularly display among timing v03, v04, v05, v06, v07 and v08, and press “-” and “+” enter the parameter value interface, press “-” or “+” for changing the number. If there is no operation for 5s, the system will memorize parameter setting and return to parameter value setting interface.

Display	Time Parameter	Meaning
V01	The hour digit of system time	
V02	The minute digit of system time	
V03	The hour digit of timing ON	
V04	The minute digit of timing ON	
V05	The hour digit of timing OFF	
V06	The minute digit of timing OFF	
V07	Timing ON setting	1 represent saving timing ON setting, 0 represent cancelling timing ON setting.
V08	Timing OFF setting	1 represent saving timing OFF setting, 0 represent cancelling timing OFF setting.

4. Usage

4.12 Malfunction Table

The common failure cause and solution

Protect/fault	Fault display	Reason	Elimination methods
Inlet Temp. Sensor Fault	P01	The temp. sensor is broken or short circuit	Check or change the temp. sensor
Outlet Temp. Sensor Fault	P02	The temp. sensor is broken or short circuit	Check or change the temp. sensor
Ambient Temp. Sensor Fault	P04	The temp. sensor is broken or short circuit	Check or change the temp. sensor
Coil 1 Temp. Sensor Fault	P05	The temp. sensor is broken or short circuit	Check or change the temp. sensor
Coil 2 Temp. Sensor Fault	P15	The temp. sensor is broken or short circuit	Check or change the temp. sensor
Suction Temp. Sensor Fault	P07	The temp. sensor is broken or short circuit	Check or change the temp. sensor
Discharge Temp. Sensor Fault	P81	The temp. sensor is broken or short circuit	Check or change the temp. sensor
Exhaust Air over Temp Prot.	P82	The compressor is overload	Check whether the system of the compressor running normally
Antifreeze Temp. Sensor Fault	P09	Antifreeze temp. sensor is broken or short circuit	Check or change the temp. sensor
Pressure Sensor Fault	PP	The pressure sensor is broken	Check or change the pressure sensor or pressure
High Pressure Prot.	E01	The high-pressure switch is broken	Check the pressure switch and cold circuit
Low Pressure Prot.	E02	The low-pressure switch is broken	Check the pressure switch and cold circuit
Flow Switch Prot.	E03	No water/little water in water system	Check the pipe water flow and water pump
Waterway Anti-freezing Prot.	E05	Water temp. or ambient is too low	Check the water temp. and ambient temp.
Inlet and outlet temp. too big	E06	Water flow is not enough and low differential pressure	Check the pipe water flow and whether water system is jammed or not
Anti-freezing Prot.	E07	Water flow is not enough	Check the pipe water flow and whether water system is jammed or not
Primary Anti-freezing Prot.	E19	The ambient temp. is low	Check the ambient temp. sensor
Secondary Anti-freezing Prot.	E29	The ambient temp. is low	Check the ambient temp. sensor
Comp. Overcurrent Prot.	E51	The compressor is overload	Check whether the system of the compressor running normally
Communication Fault	E08	Communication failure between wire controller and mainboard	Check the wire connection between remote wire controller and main board
Communication Fault (speed control module)	E81	Speed control module and main board communication fail	Check the communication connection
Low AT Protection	TP	Ambient temp. is too low	Check the ambient temp. sensor
EC fan feedback Fault	F51	There is something wrong with fan motor and fan motor stops running	Check whether fan motor is broken or locked or not
Fan Motor1 Fault	F31	1. Motor is in locked-rotor state 2. The wire connection between DC-fan motor module and fan motor is in bad contact	1. Change a new fan motor 2. Check the wire connection and make sure they are in good contact
Fan Motor2 Fault	F32	1. Motor is in locked-rotor state 2. The wire connection between DC-fan motor module and fan motor is in bad contact	1. Change a new fan motor 2. Check the wire connection and make sure they are in good contact

4. Usage

Frequency conversion board fault table:

Protection/fault	Fault	Reason	Elimination methods
Drv1 MOP alarm	F01	MOP drive alarm	Recovery after the 150s
Inverter offline	F02	Frequency conversion board and main board communication failure	Check the communication connection
IPM protection	F03	IPM modular protection	Recovery after the 150s
Comp. Driver Failure	F04	Lack of phase, step or drive hardware damage	Check the measuring voltage check frequency conversion board hardware
DC Fan Fault	F05	Motor current feedback open circuit or short circuit	Check whether current return wires connected motor
IPM Overcurrent	F06	IPM Input current is large	Check and adjust the current measurement
Inv. DC Overvoltage	F07	DC bus voltage > Dc bus over-voltage protection value	Check the input voltage measurement
Inv. DC Less voltage	F08	DC bus voltage < Dc bus over-voltage protection value	Check the input voltage measurement
Inv. Input Less volt.	F09	The input voltage is low, causing the input current is high	Check the input voltage measurement
Inv. Input Overvolt.	F10	The input voltage is too high, more than outage protection current RMS	Check the input voltage measurement
Inv. Sampling Volt.	F11	The input voltage sampling fault	Check and adjust the current measurement
Comm. Err DSP-PFC	F12	DSP and PFC connect fault	Check the communication connection
Input Over Cur.	F26	The equipment load is too large	
PFC fault	F27	The PFC circuit protection	Check the PFC switch tube short circuit not
IPM Over heating	F15	The IPM module is overheat	Check and adjust the current measurement
Weak Magnetic Warn	F16	Compressor magnetic force is not enough	
Inv. Input OutPhase	F17	The input voltage lost phase	Check and measure the voltage adjustment
IPM Sampling Cur.	F18	IPM sampling electricity is fault	Check and adjust the current measurement
Inv. Temp. Probe Fail	F19	Sensor is short circuit or open circuit	Inspect and replace the sensor
Inverter Overheating	F20	The transducer is overheat	Check and adjust the current measurement
Inv. Overheating Warn	F22	Transducer temperature is too high	Check and adjust the current measurement
Comp. OverCur. Warn	F23	Compressor electricity is large	The compressor over-current protection
Input Over Cur. Warn	F24	Input current is too large	Check and adjust the current measurement
EEPROM Error Warn	F25	MCU error	Check whether the chip is damaged Replace the chip
V15V over/undervoltage fault	F28	The V15V is overload or undervoltage	Check the V15V input voltage in range 13.5v~16.5v or not

4. Usage

4.13 Parameter List

Meaning	Default	Remarks
Refrigeration target temperature set point	27°C	Adjustable
Heating the target temperature set point	27°C	Adjustable
Automatic target temperature set point	27°C	Adjustable

5. Maintenance and Inspection

- Check the water supply device and the release often. You should avoid the condition of no water or air entering system, as this will influence unit's performance and reliability. You should clear the pool/spa filter regularly to avoid damage to the unit because of the dirty or clogged filter.
- The area around the unit should be dry, clean, and well ventilated. Clean the side heating exchanger regularly to maintain good heat exchange as conserve energy.
- The operation pressure of the refrigerant system should only be serviced by a certified technician.
- Check the power supply and cable connection often. Should the unit begin to operate abnormally, switch it off and contact the qualified technician.

5.1 Winterization

The following winterization steps are important to prevent freeze damage.

- Set the heat pump in "OFF" mode.
- Remove power to the heat pump.
- Drain the appliance of all its water:
 - Disconnect the water inlet and outlet connections.
 - Slightly tilt the unit so that the inlet and outlet pipes point towards the ground and allow water to drain completely.
 - Remove any remaining water using a "Shop Vac" style vacuum cleaner. Connect the exhaust side of the vacuum cleaner to the upper port (outlet) of the heat pump to push any remaining water that may be left inside.
- Do not reconnect the plumbing to the heat pump.
- Plug the water inlet and outlet to prevent intrusion of small animals or debris during winter.
- Do not wrap the heat pump with canvas or tarpaulin as some canvas can cause discoloration of the equipment. This can also trap moisture which can promote rusting of metal components.



A HEAT PUMP DAMAGED BY FREEZING IS NOT COVERED UNDER THE MANUFACTURER'S WARRANTY.

6. APPENDIX

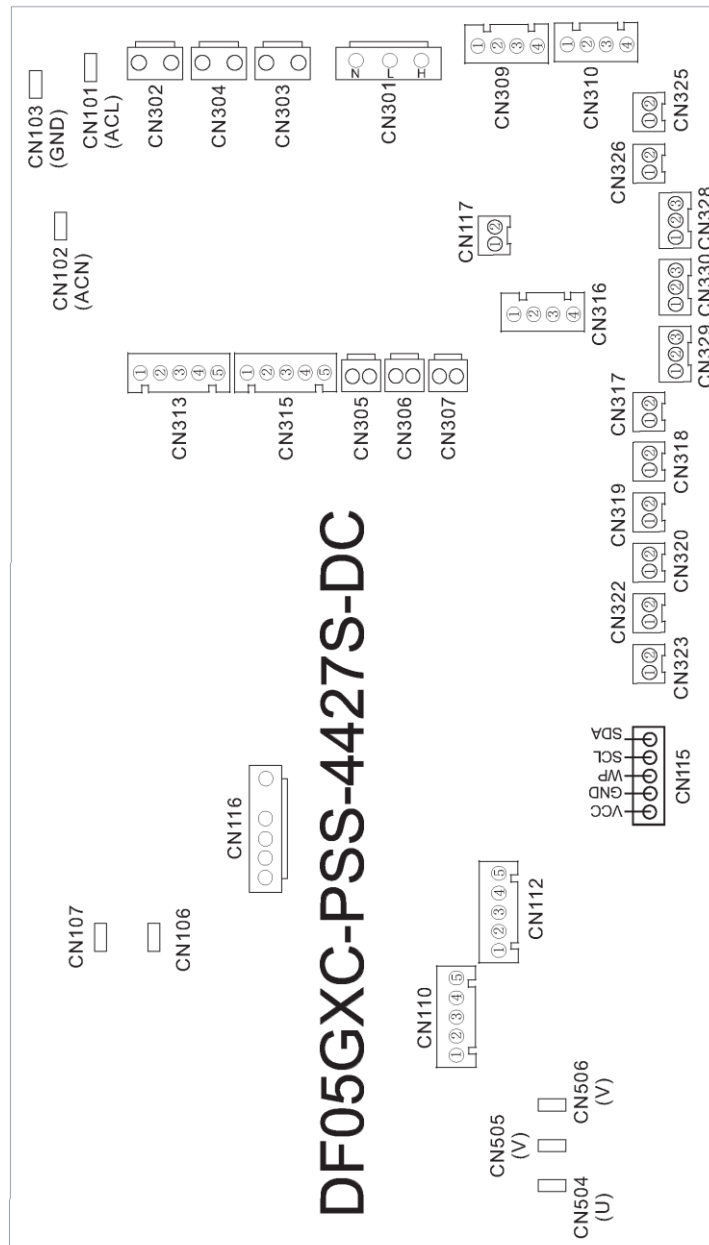
6.1 Connection of PCB Illustration

(1) Wire control interface diagram and definition



Sign	Meaning
B	485B
A	485A
V	12V (power +)
NET	Communication signal
G	GND (power -)

(2) Controller interface diagram and definition



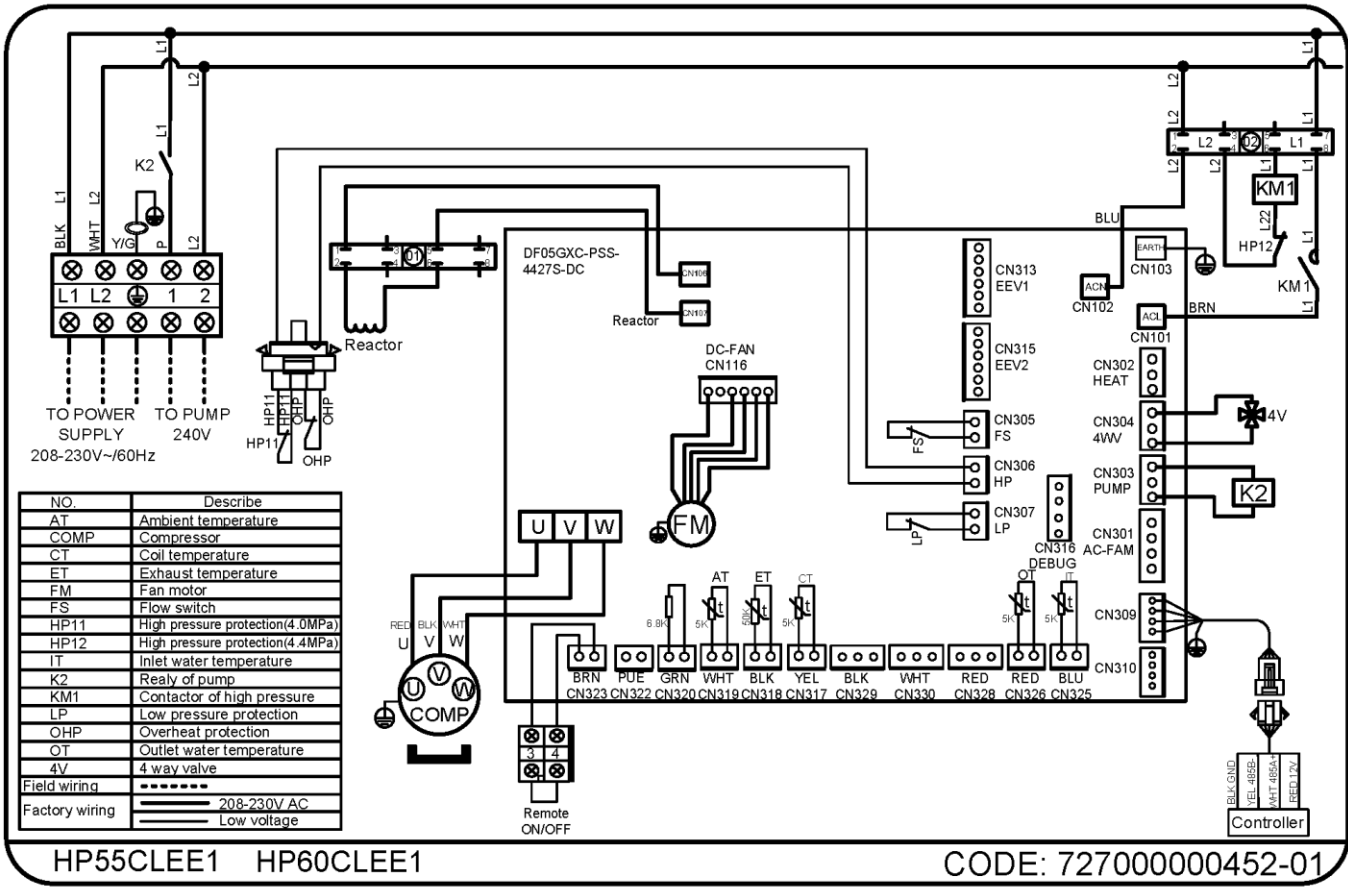
6. APPENDIX

Main board of the input and output interface instructions below

Number	Sign	Meaning
01	CN504-5/6(U/V/W)	Compressor
02	CN110	Drive debug port
03	CN112	Driver program port
04	CN116	DC fan
05	CN106 CN107	Resistance
06	CN313	Electronic expansion valve
07	CN315	Electronic expansion valve(Reserved)
08	CN305	Water flow switch
09	CN306	System high pressure
10	CN307	System low pressure
11	CN102	Neutral wire
12	CN103	Grounding
13	CN101	Livewire
14	CN302	Crankshaft heating belt
15	CN304	4-way valve
16	CN303	Water pump
17	CN301	AC fan(H)/Chassis heating belt(L)
18	CN117	Reserved
19	CN316	Program port
20	CN309	Color line controller communication/Wifi/AC transformer/Flow meter
21	CN310	The port for centralized control
22	CN325	Water input temperature
23	CN326	Water output temperature
24	CN328	Low pressure sensor
25	CN330	Reserved
26	CN329	Water flow meter(Reserved)
27	CN317	System fan coil temperature

6. APPENDIX

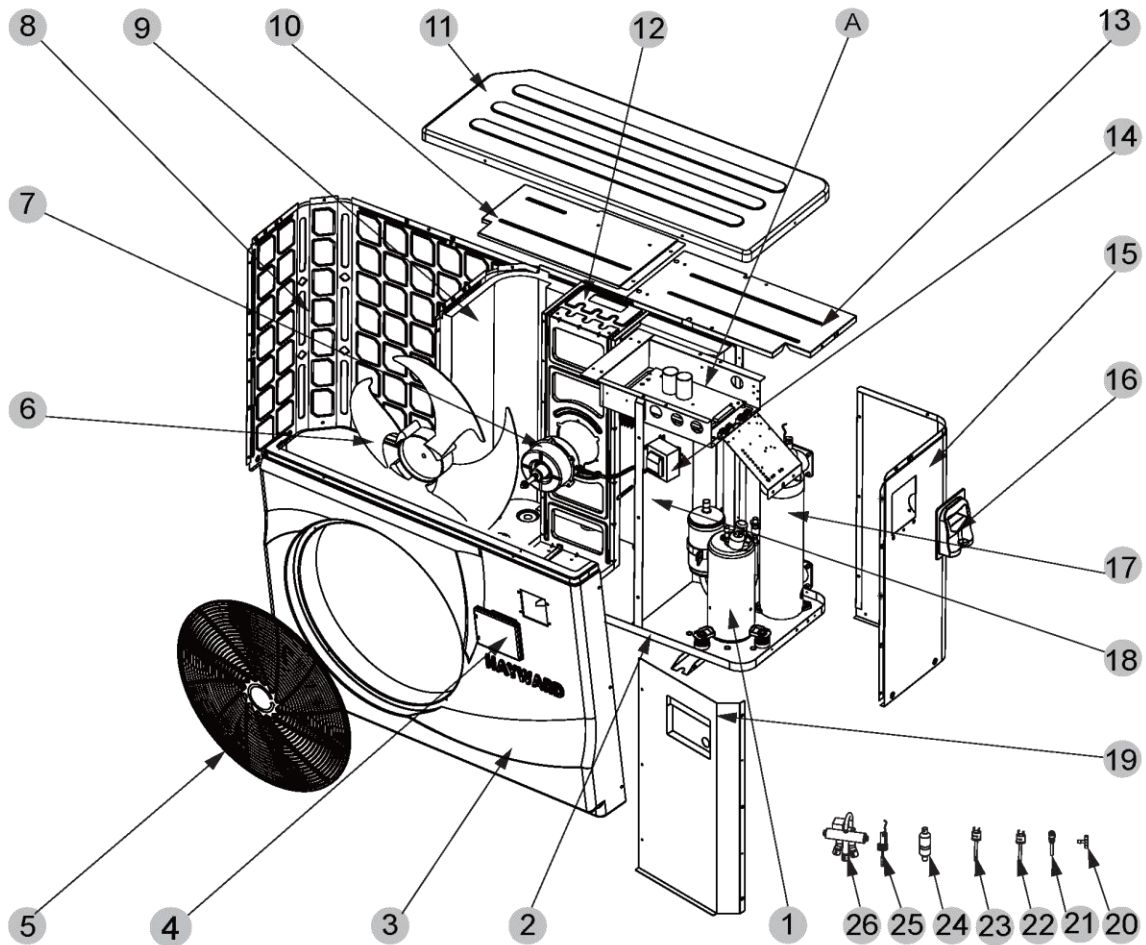
6.2 Wiring Diagram



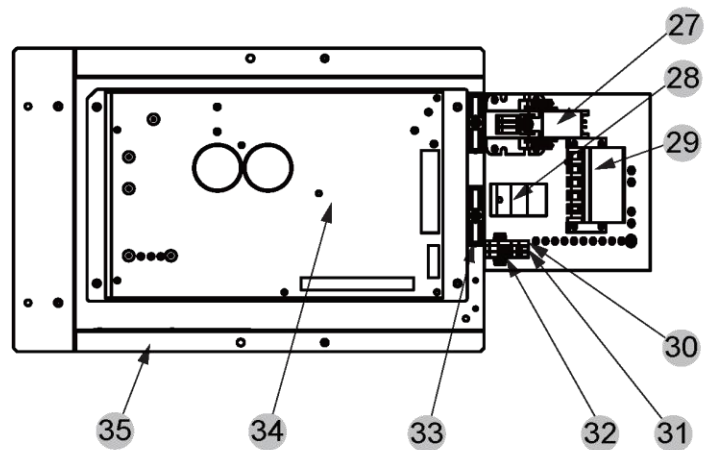
6. APPENDIX

6.3 Exploded View – HP55CLEE1

(1) Complete machine structure explosion diagram



A



6. APPENDIX

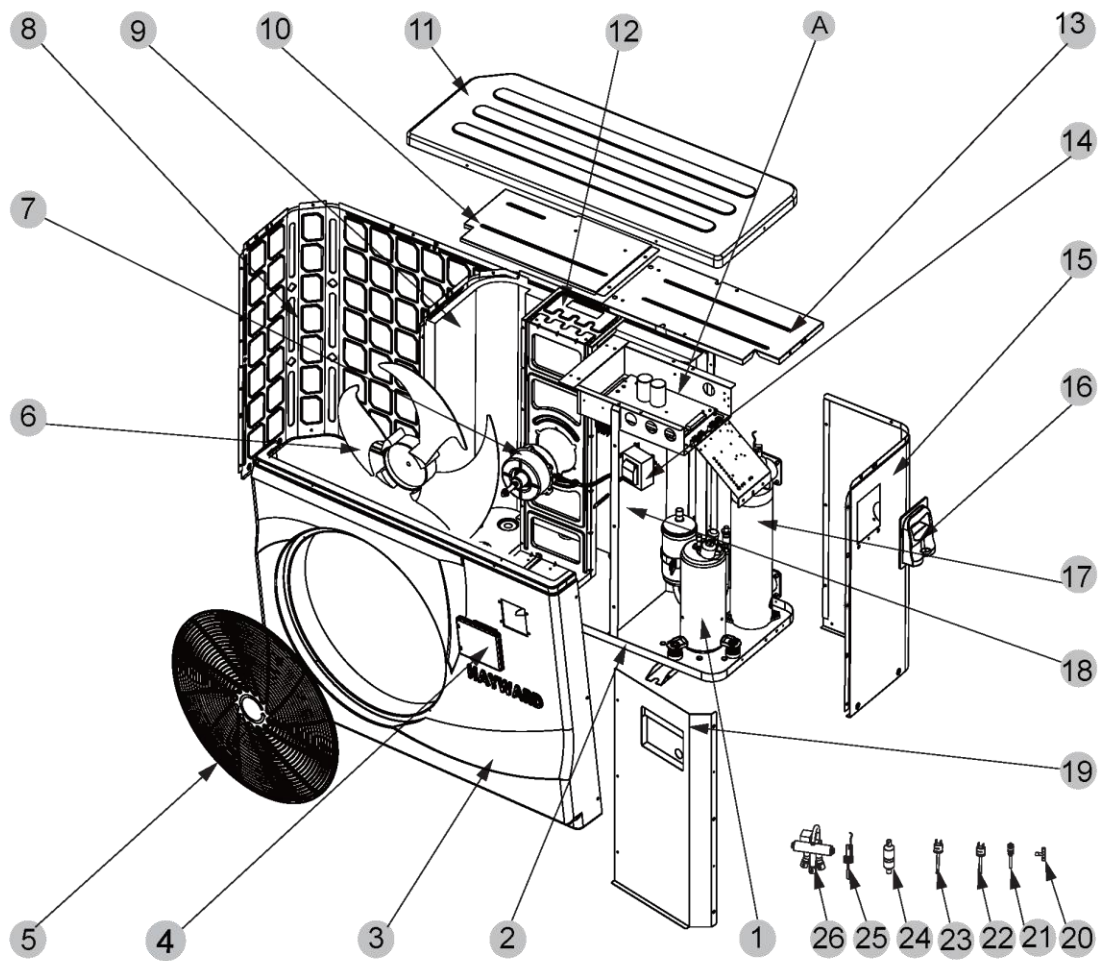
(2) Spare Parts List

No.	Code	Description	Specification	Qty
1	HPX80100139	Compressor	FTz-SB238ANAA	1
2	HPX80700454	Chassis assembly	Galvanized sheet	1
3	HPX809000000085	Front panel	ABS	1
4	HPX72200516	LED206	82300027+82400500	1
5	HPX20000-220369	Fan net	ABS	1
6	HPX20000-270004	Axial fan blade	Z500-145	1
7	HPX20000-330132	Fan motor	ZWS75-A	1
8	HPX807000000727	Left side panel	Galvanized sheet	1
9	HPX80601564	Finned heat exchanger	680×290×700×Φ7×1.5 2.0	1
10	HPX80715865	Support plate	Galvanized sheet	1
11	HPX301090-20080006	Top cover	ABS	1
12	HPX80718435	Motor bracket assembly	Galvanized sheet	1
13	HPX80723121	Electrical box cover	Galvanized sheet	1
14	HPX82500021	Reactor	EL205FN	1
15	HPX80721065	Right side panel	Galvanized sheet	1
16	HPX32009-220029	Junction box body	ABS	1
17	HPX72300034	Titanium tube heat exchanger	Φ9.52×9m Φ110	1
18	HPX80715858	Middle baffle	Galvanized sheet	1
19	HPX807000001307	Connect the board assembly	Galvanized sheet	1
20	HPX2000-1460	Three links	Φ6.5-2×Φ6.5(T)×0.75 T2M	1
21	HPX20000-140150	Needle valve	40mm 1/2" T0305-10	1
22	HPX20000-360157	Low pressure switch	0.30MPa/0.15MPa ±0.05 normally open	1
23	HPX2001-3605	High pressure switch	3.2MPa/4.4MPa ±0.15 normally closed	1
24	HPX2000-1499	Filter	Φ9.7-Φ3.8(Φ19) T2Y2	2
25	HPX83000068	Flow switch	PSL-1 3/4	1
26	HPX2004-1437	Four-way valve	DSF-11E-1030	1
27	HPX20000-360006	AC contactor	HCC-1NU04AA	1
28	HPX20000-360297	Relay	HATF903AS30AC220 AC220V 30A	1
29	HPX20000-390231	5-position terminal block	UTD-32/5P(L1)	1
30	HPX20000-390047	Terminal block	D-MSB 1.5-F	1
31	HPX20000-390046	Terminals	MSB 2.5-M	1
32	HPX20000-390049	Terminals	MSB 2.5-F	1
33	HPX2000-3909	2-position terminal block	RS9211(450V~4MM2)	2
34	HPX722000000011	Driver Board	82300549+82400282+ 82400748+82400193	1
35	HPX80715860	Electrical box assembly	Galvanized sheet	1

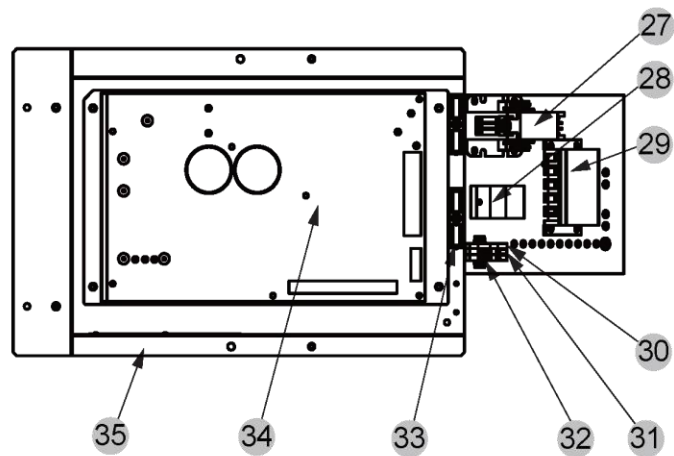
6. APPENDIX

6.3 Exploded View – HP60CLEE1

(3) Complete machine structure explosion diagram



A



6. APPENDIX

(4) Spare Parts List

No.	Code	Description	Specification	Qty
1	HPX80100139	Compressor	FTz-SB238ANAA	1
2	HPX80700454	Chassis assembly	Galvanized sheet	1
3	HPX809000000085	Front panel	ABS	1
4	HPX72200516	LED206	82300027+82400500	1
5	HPX20000-220369	Fan net	ABS	1
6	HPX20000-270004	Axial fan blade	Z500-145	1
7	HPX20000-330132	Fan motor	ZWS75-A	1
8	HPX807000000727	Left side panel	Galvanized sheet	1
9	HPX80600044	Finned heat exchanger	680×290×700×Φ7×1.5 2.0	1
10	HPX80715865	Support plate	Galvanized sheet	1
11	HPX301090-20080006	Top cover	ABS	1
12	HPX80718435	Motor bracket assembly	Galvanized sheet	1
13	HPX80723121	Electrical box cover	Galvanized sheet	1
14	HPX82500021	Reactor	EL205FN	1
15	HPX80721065	Right side panel	Galvanized sheet	1
16	HPX32009-220029	Junction box body	ABS	1
17	HPX72300016	Titanium tube heat exchanger	Φ9.52×9m Φ110	1
18	HPX80715858	Middle baffle	Galvanized sheet	1
19	HPX807000001307	Connect the board assembly	Galvanized sheet	1
20	HPX2000-1460	Three links	Φ6.5-2×Φ6.5(T)×0.75 T2M	1
21	HPX20000-140150	Needle valve	40mm 1/2" T0305-10	1
22	HPX20000-360157	Low pressure switch	0.30MPa/0.15MPa ±0.05 normally open	1
23	HPX2001-3605	High pressure switch	3.2MPa/4.4MPa ±0.15 normally closed	1
24	HPX2000-1499	Filter	Φ9.7-Φ3.8(Φ19) T2Y2	2
25	HPX83000068	Flow switch	PSL-1 3/4	1
26	HPX2004-1437	Four-way valve	DSF-11E-1030	1
27	HPX20000-360006	AC contactor	HCC-1NU04AA	1
28	HPX20000-360297	Relay	HATF903AS30AC220 AC220V 30A	1
29	HPX20000-390231	5-position terminal block	UTD-32/5P(L1	1
30	HPX20000-390047	Terminal block	D-MSB 1.5-F	1
31	HPX20000-390046	Terminals	MSB 2.5-M	1
32	HPX20000-390049	Terminals	MSB 2.5-F	1
33	HPX2000-3909	2-position terminal block	RS9211(450V~4MM2)	2
34	HPX722000000011	Driver Board	82300549+82400282+ 82400748+82400193	1
35	HPX80715860	Electrical box assembly	Galvanized sheet	1

6. APPENDIX

6.4. Caution & Warnings

1. The unit can only be repaired by qualified installer centre personnel or an authorised dealer.
2. This appliance is not intended for use by persons (including children) with reduced physical sensory or mental capabilities, or lack of experience and knowledge, unless they have been given supervision or instruction concerning use of the appliance by a person responsible for their safety.
Children should be supervised to ensure that they do not play with the appliance.
3. Please make sure that the unit and power connection have proper grounding, otherwise may cause electrical shock.
4. If the supply cord is damaged, it must be replaced by the manufacturer or our service agent or similarly qualified person to avoid a hazard.
5. Directive 2002/96/EC (WEEE):
The symbol depicting a crossed-out waste bin that is underneath the appliance indicates that this product, at the end of its useful life, must be handled separately from domestic waste, must be taken to a recycling centre for electric and electronic devices or handed back to the dealer when purchasing an equivalent appliance.
6. Directive 2002/95/EC (RoHs): This product is compliant with directive 2002/95/EC (RoHs) concerning restrictions for the use of harmful substances in electric and electronic devices.
7. The unit CANNOT be installed near the flammable gas. Once there is any leakage of the gas, fire can occur.
8. Make sure that there is circuit breaker for the unit, lack of circuit breaker can lead to electrical shock or fire.
9. The heat pump located inside the unit is equipped with an over-load protection system. It does not allow for the unit to start for at least 3 minutes from a previous stoppage.
10. The unit can only be repaired by the qualified personnel of an installer center or an authorized dealer.
11. Installation must be performed in accordance with the NEC/CEC by authorized person only.
12. USE SUPPLY WIRES SUITABLE FOR 75°C.
13. Caution: Single wall heat exchanger, not suitable for potable water connection.

6. APPENDIX

6.5. Cable specification

(1) Single Phase unit

Nameplate maximum current	Phase line	Earth line	MCB	Creepage protector	Signal line
No more than 10A	2×1.5mm ²	1.5mm ²	20A	30mA less than 0.1 sec	n×0.5mm ²
10~16A	2×2.5mm ²	2.5mm ²	32A	30mA less than 0.1 sec	
16~25A	2×4mm ²	4mm ²	40A	30mA less than 0.1 sec	
25~32A	2×6mm ²	6mm ²	40A	30mA less than 0.1 sec	
32~40A	2×10mm ²	10mm ²	63A	30mA less than 0.1 sec	
40~63A	2×16mm ²	16mm ²	80A	30mA less than 0.1 sec	
63~75A	2×25mm ²	25mm ²	100A	30mA less than 0.1 sec	
75~101A	2×25mm ²	25mm ²	125A	30mA less than 0.1 sec	
101~123A	2×35mm ²	35mm ²	160A	30mA less than 0.1 sec	
123~148A	2×50mm ²	50mm ²	225A	30mA less than 0.1 sec	
148~186A	2×70mm ²	70mm ²	250A	30mA less than 0.1 sec	
186~224A	2×95mm ²	95mm ²	280A	30mA less than 0.1 sec	

(2) Three phase unit

Nameplate maximum current	Phase line	Earth line	MCB	Creepage protector	Signal line
No more than 10A	3×1.5mm ²	1.5mm ²	20A	30mA less than 0.1 sec	n×0.5mm ²
10~16A	3×2.5mm ²	2.5mm ²	32A	30mA less than 0.1 sec	
16~25A	3×4mm ²	4mm ²	40A	30mA less than 0.1 sec	
25~32A	3×6mm ²	6mm ²	40A	30mA less than 0.1 sec	
32~40A	3×10mm ²	10mm ²	63A	30mA less than 0.1 sec	
40~63A	3×16mm ²	16mm ²	80A	30mA less than 0.1 sec	
63~75A	3×25mm ²	25mm ²	100A	30mA less than 0.1 sec	
75~101A	3×25mm ²	25mm ²	125A	30mA less than 0.1 sec	
101~123A	3×35mm ²	35mm ²	160A	30mA less than 0.1 sec	
123~148A	3×50mm ²	50mm ²	225A	30mA less than 0.1 sec	
148~186A	3×70mm ²	70mm ²	250A	30mA less than 0.1 sec	
186~224A	3×95mm ²	95mm ²	280A	30mA less than 0.1 sec	

When the unit will be installed at outdoor, please use the cable which can against UV.



Hayward Pool Products Canada, Inc.
T: 1-888-238-7665
Haywardpool.ca



Thermopompe à vitesses variable pour piscine

Manuel d'installation et d'instruction

Modèles :
HP55CLEE1
HP60CLEE1



Hayward Pool Products Canada, Inc.
2880 Plymouth Drive, Oakville, ON L6H 5R4
Haywardpiscine.ca / 1-888-238-7665

TABLE DES MATIÈRES

Table des matières

1. Préface	Page 32
2. Spécification	Page 33
2.1 Données de performance de la pompe à chaleur	
2.2 Dimensions de la pompe à chaleur	Page 34
3. Installation et raccordement	Page 35
3.1 Diagramme d'installation	
3.2 Emplacement de la thermopompe de piscine	Page 36
3.3 A quelle distance de votre piscine	
3.4 Tuyauterie de la thermopompe de piscine	Page 37
3.5 Cablage électrique pour la thermopompe	Page 38
3.6 Démarrage initial de l'appareil	
4. Utilisation	Page 39
4.1 Fonction du contrôleur de fil	
4.2 Consignes relatives à la fonction des touches	
4.3 Réglage de la température	Page 40
4.4 Changement de mode	Page 41
4.5 Verrouillage du clavier	
4.6 Température de l'eau de sortie	Page 42
4.7 Mise en sourdine en un clic	
4.8 Affichage des dysfonctionnements	Page 43
4.9 Réglage de l'horloge	
4.10 Réglage de l'heure du système	
4.11 Réglage et annulation du minutage de mise en marche et d'arrêt	Page 44
4.12 Tableau des dysfonctionnements	Page 46
4.13 Liste de paramètres	Page 48
5. Maintenance et inspection	Page 48
5.1 Hivernisation	
6. Annexes	Page 49
6.1 Illustration de la connexion	
6.2 Schéma de câblage	Page 51
6.3 Vue éclatée et liste de pièces de rechange – HP55CLEE1	Page 52
6.4 Mises en garde et avertissements	Page 56
6.5 Spécifications relatives aux câbles	Page 57

1. PRÉFACE

Afin d'offrir qualité, fiabilité et polyvalence à nos clients, ce produit a été fabriqué selon des normes de fabrication rigoureuses. Ce guide comprend toute l'information nécessaire à l'installation, au dépannage, à la vidange et à l'entretien. Veuillez lire attentivement ce guide avant d'ouvrir et de procéder à l'entretien de cet appareil. Le fabricant de ce produit ne sera pas tenu responsable si un individu est blessé ou si l'appareil est endommagé en raison d'une installation ou d'un dépannage inadéquats ou d'un entretien non nécessaire. Il est crucial de respecter en tout temps les directives présentées dans ce guide. Cet appareil doit être installé par une personne qualifiée.

- Seuls un centre d'installation, un individu ou un détaillant autorisé peuvent procéder à la réparation de cet appareil.
- L'entretien et le fonctionnement de cet appareil doivent être effectués selon les temps et fréquences indiqués dans ce guide.
- Utilisez uniquement des pièces de remplacement d'origine.
- Le non-respect de ces recommandations annulera la garantie.
- La thermopompe de piscine permet de chauffer l'eau de la piscine et de garder la température constante. Dans le cas des modèles « split » (séparés), la partie de l'appareil qui se trouve à l'intérieur peut être cachée discrètement ou à demi cachée pour convenir à une demeure luxueuse.

Notre thermopompe possède les caractéristiques suivantes :

1. Durabilité
 - L'échangeur thermique est fabriqué de tubes de PVC et de titane qui peuvent être exposés à l'eau d'une piscine pour de longues périodes de temps.
2. Polyvalence quant à l'installation
 - Cet appareil peut être installé à l'extérieur.
3. Fonctionnement silencieux
 - Cet appareil est doté d'un compresseur rotatif Scroll et d'un ventilateur de moteur silencieux qui assurent un fonctionnement silencieux.
4. Système de commande avancé
 - Cet appareil est doté d'un contrôle par microordinateur qui permet de régler tous les paramètres de fonctionnement. L'état du fonctionnement peut être affiché à l'écran ACL du système de commande. Une télécommande peut être choisie en option.

2. SPÉCIFICATION

2.1 Données de performance de la pompe à chaleur pour piscine

*** RÉFRIGÉRANT : R410A

UNIT		HP55CLEE1	HP60CLEE1
Puissance thermique nominale d'entrée	kW	3.24	3.44
Plage	kW	0.684-3.24	0.67-3.44
Courant nominal d'entrée	A	14.37	15.26
Plage	A	2.91-14.37	2.97-15.26
Alimentation électrique	V/Hz	208/230V~/60Hz	208/230V~/60Hz
Quantité de compresseur		1	1
Compresseur		Rotatif	Rotatif
Quantité de ventilateur		1	1
Puissance d'entrée du ventilateur	W	75	75
Vitesse de rotation du ventilateur	RPM	600-800	500-750
Direction du ventilateur		Horizontale	Horizontale
Bruit	dB(A)	42-54	43-54
Raccordement d'eau	po	1.5 po	1.5 po
Volume d'écoulement d'eau	M3/h/gpm	5.2/22.9	5.9/26.1
Chute de pression d'eau (max)	kPa/psi	5.5/0.80	7.8/1.13
Dimensions nettes de l'appareil (L/W/H)	mm/in	1047.5×453×770.5/ 41,2 × 17,8 × 30,3	1047.5×453×770.5/ 41,2 × 17,8 × 30,3
Dimensions de l'appareil à l'expédition (L/W/H)	mm/in	1210×510×880/ 47,6 × 20,1 × 34,6	1210×510×880/ 47,6 × 20,1 × 34,6
Poids net		Voir la plaque signalétique	
Poids à l'expédition		Voir l'étiquette du colis	

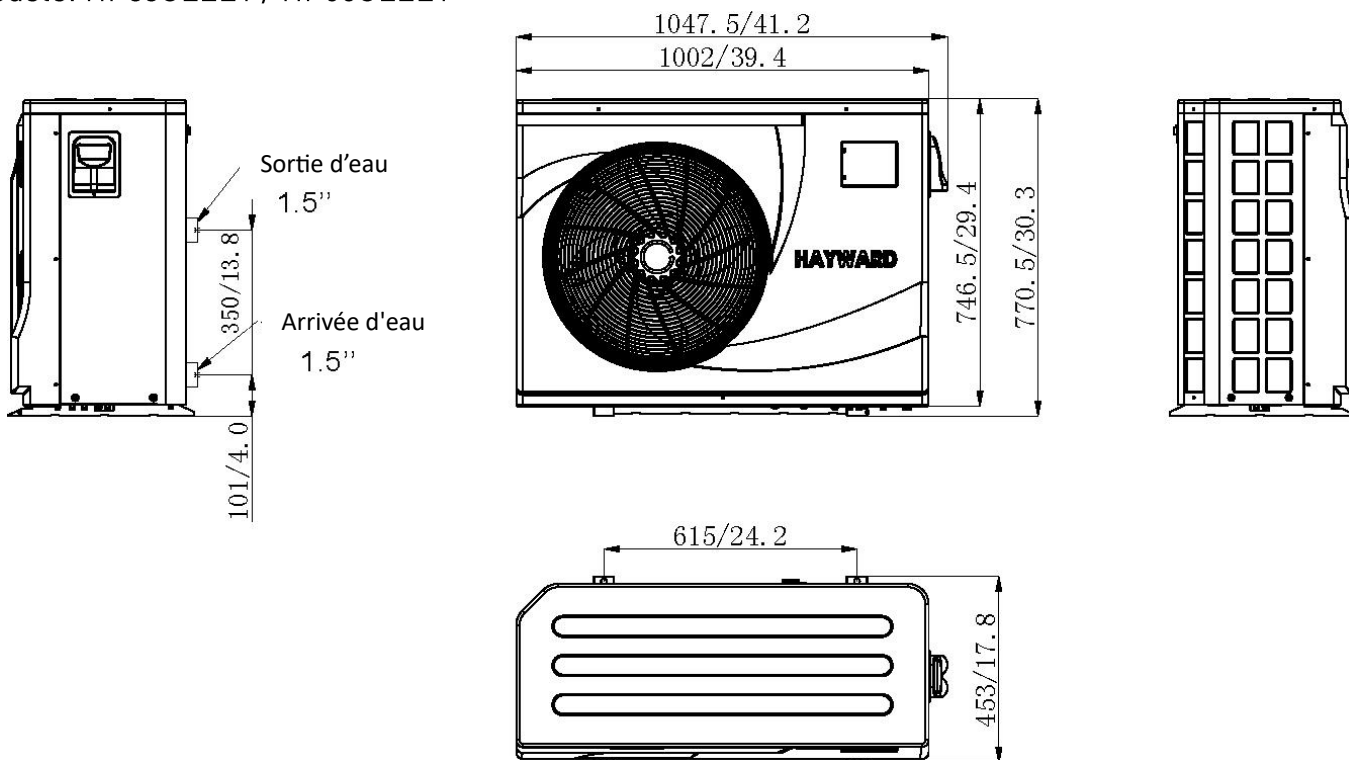
Vitesse d'évaluation de température : *Température de l'air extérieur : 27 °C/24,3 °C, Température de l'eau d'entrée : 26,7 °C
Lors du chauffage : Température ambiante du fonctionnement : -5 °C - 43 °C

3. SPÉCIFICATION

2.2 Dimensions de la thermopompe pour piscine

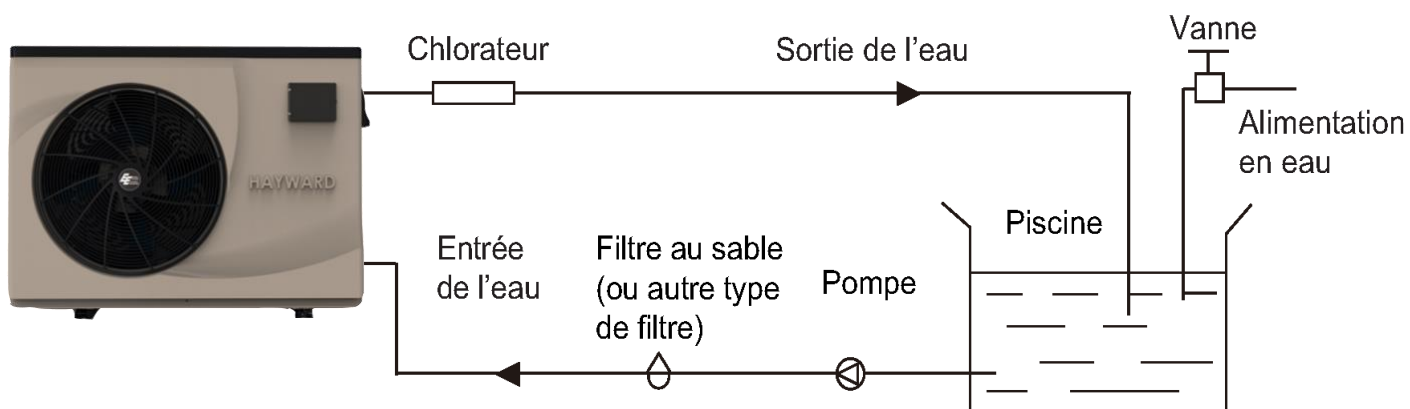
Modèle: HP55CLEE1 / HP60CLEE1

Unit: mm



3 INSTALLATION ET RACCORDEMENT

3.1 Diagramme d'installation



Éléments d'installation :

L'usine fournit uniquement l'unité principale et l'unité des eaux. Les autres éléments de l'illustration sont des pièces de rechange nécessaires pour le système hydraulique qui sont fournies par les utilisateurs ou l'installateur.

Attention :

Veillez suivre les étapes suivantes lors de la première utilisation

1. Ouvrez la vanne et chargez de l'eau.
2. Assurez-vous que la pompe et le tuyau d'arrivée d'eau ont été remplis d'eau.
3. Fermez la vanne et démarrez l'appareil.

ATTENTION : Il est nécessaire que le tuyau d'arrivée d'eau soit plus haut que la surface de la piscine.

Le diagramme schématique sert uniquement de référence. Veuillez vérifier l'étiquette d'arrivée/sortie d'eau sur la pompe à chaleur lors de l'installation de la plomberie.

3. INSTALLATION ET RACCORDEMENT

3.2 Emplacement de la thermopompe de piscine

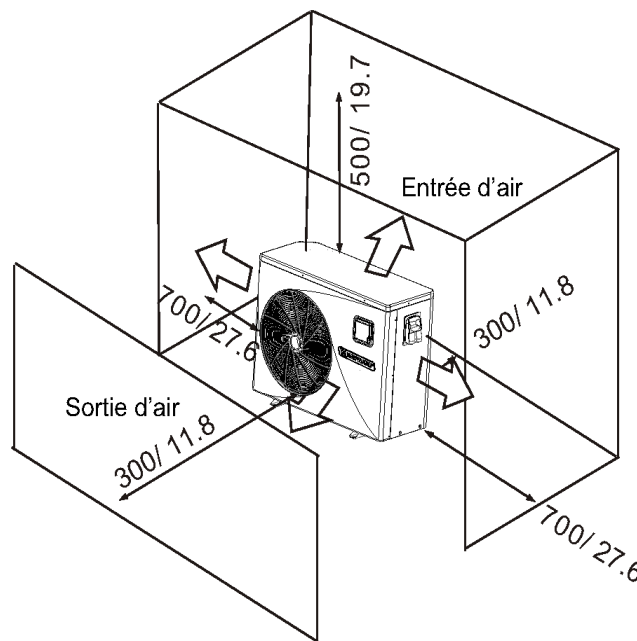
L'appareil fonctionnera bien, peu importe où il est placé à l'extérieur, à condition que les trois éléments suivants soient présents :

1. Air frais - 2. Électricité - 3. Tuyauterie du filtre de la piscine

L'appareil peut être installé essentiellement partout à l'extérieur. Dans le cas d'une piscine intérieure, veuillez consulter le fournisseur. Contrairement à un chauffe-piscine au gaz, il n'y a pas de problème lié au courant d'air ou à l'allumage du pilote dans des conditions venteuses.

NE PLACEZ PAS l'appareil dans un endroit clos où le volume d'air est limité et où l'air de sortie sera recirculé.

NE PLACEZ PAS l'appareil près de buissons qui peuvent bloquer l'entrée d'air. Ces endroits privent l'appareil d'une source d'air frais continue, ce qui réduit l'efficacité et peut empêcher une émission de chaleur adéquate.



3.3 À quelle distance de votre piscine?

Normalement, la thermopompe de la piscine est installée à moins de 7,5 m de la piscine. Plus la distance séparant la thermopompe de la piscine est grande, plus la perte de chaleur dans la tuyauterie est grande. La majeure partie de la tuyauterie est enfouie sous la terre. Par conséquent, la perte de chaleur est minimale pour des distances allant jusqu'à 15 m (15 m pour aller et revenir de la piscine = 30 m au total) à moins que le sol soit mouillé ou que la nappe phréatique soit haute. Une estimation grossière de la perte de chaleur par 30 m est 0,6 kW/h (2000 BTU) pour chaque différence de 5 °C entre la température de l'eau de la piscine et la température du sol entourant la tuyauterie, ce qui se traduit par une hausse du temps de fonctionnement de 3 à 5 %.

3. INSTALLATION ET RACCORDEMENT

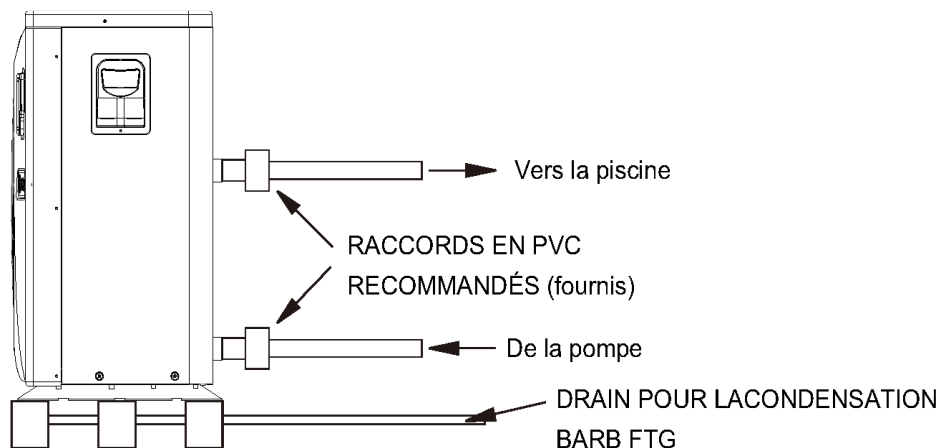
3.4 Tuyauterie de la thermopompe de piscine

L'échangeur thermique exclusif en titane des thermopompes de piscine utilisé au débit nominal ne requiert aucun arrangement particulier, à l'exception d'un dispositif de dérivation (veuillez régler le débit selon l'information fournie sur la plaque signalétique). La baisse de pression de l'eau est moins de 10kPa au débit maximum. Puisqu'il n'y a pas de chaleur résiduelle ou de flammes, l'appareil ne requiert pas une tuyauterie en cuivre pour dissiper la chaleur. Des tuyaux de PVC peuvent être utilisés pour raccorder l'appareil.

Emplacement : Raccordez l'appareil à la ligne de sortie de la pompe en aval de tout filtre ou toute pompe de piscine et en amont de tout chlorateur ou ozoneur ou de toute pompe de produits chimiques.

Les modèles standards sont dotés de raccords à coller qui conviennent à des tuyaux de PVC de 32 mm ou de 50 mm pour raccorder à la tuyauterie de filtration de la piscine ou du spa. En utilisant un tuyau de diamètre nominal entre 50 et 40, vous pouvez raccorder du 40.

Pensez sérieusement à utiliser des raccords rapides à l'entrée et à la sortie de l'appareil pour faciliter le drainage au moment de la préparation pour l'hiver et pour donner un meilleur accès si des réparations sont nécessaires.



Condensation : Puisque la thermopompe refroidit l'air de 4 à 5 °C, il se peut que de l'eau condense sur les ailettes de l'évaporateur en forme de fer à cheval. Si l'humidité relative est très élevée, plusieurs litres d'eau par heure peuvent être produits. L'eau s'écoulera le long des ailettes dans un plateau et sera drainée par un raccord en coude en plastique situé sur le côté du plateau. Ce raccord est conçu pour être raccordé à un tube de vinyle clair de 20 mm à la main afin de diriger l'eau vers un drain approprié. Il est facile de confondre l'eau de condensation pour une fuite d'eau dans l'appareil.

N.B. Une façon rapide de vérifier que l'eau provient bien de la condensation est d'éteindre l'appareil alors que la piscine continue de fonctionner. S'il n'y a plus d'eau qui s'écoule du plateau, il s'agit de condensation. UNE FAÇON ENCORE PLUS FACILE EST DE VÉRIFIER SI L'EAU QUI S'ÉCOULE DU DRAIN CONTIENT DU CHLORE – s'il n'y a pas de chlore, il s'agit de l'eau provenant de la condensation.

3. INSTALLATION ET RACCORDEMENT

3.5 Câblage électrique pour la thermopompe de piscine

NOTE : Bien que l'échangeur thermique soit isolé sur le plan électrique du reste de l'appareil, cela ne fait qu'empêcher la circulation de l'électricité vers ou en provenance de l'eau de la piscine. Une mise à la terre de l'appareil est tout de même nécessaire pour vous protéger contre les courts-circuits à l'intérieur de l'appareil. Une mise à la masse est aussi requise.

L'appareil possède une boîte de jonction moulée séparée dotée d'un conduit électrique avec un raccord standard. Enlevez simplement les vis et le panneau frontal, passez les fils de l'alimentation dans le raccord du conduit et utilisez les serre-fils pour connecter les fils aux trois connexions en place dans la boîte de jonction. Pour terminer la connexion électrique, connectez la thermopompe par l'entremise d'un conduit électrique, câble de type UF ou tout autre moyen tel que précisé (et permis par les autorités en matière d'électricité locales) à un circuit d'alimentation CA distinct et doté d'un disjoncteur, d'un mécanisme d'interruption ou d'un disjoncteur temporisé adéquats.

AVIS : Si les codes en matière d'installation exigent l'utilisation de disjoncteurs différentiels de fuite à la terre (DDFT), le produit fonctionnera de manière satisfaisante lorsqu'un DDFT Siemens QFxxxA est utilisé. Des tests ont été effectués sur ce disjoncteur différentiel de fuite à la terre et ont démontré qu'il n'était pas susceptible aux déclenchements intempestifs. Les déclenchements intempestifs du DDFT ne sont pas couverts par la garantie.

Mécanisme d'interruption – Un moyen d'interruption (disjoncteur, sectionneur avec ou sans fusible) à la vue et facilement accessible depuis l'appareil. Il s'agit d'une pratique courante dans le cas de thermopompes et climatiseurs commerciaux et résidentiels. Il empêche que de l'équipement sans surveillance soit remis sous tension et permet de couper le courant à l'appareil lors de réparations.

3.6 Démarrage initial de l'appareil

NOTE – Afin que l'appareil chauffe l'eau de la piscine ou du spa, la pompe du filtre doit fonctionner afin que de l'eau circule dans l'échangeur thermique.

Procédure de démarrage – une fois que l'installation est terminée, vous devez suivre les étapes suivantes :

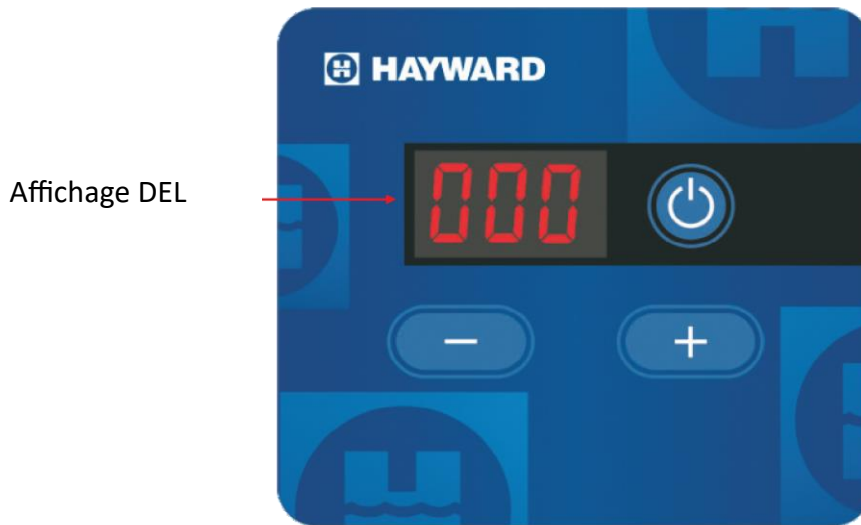
1. Faites fonctionner la pompe du filtre. Assurez-vous qu'il n'y a pas de fuites d'eau et vérifiez le débit vers et en provenance de la piscine.
2. Mettez l'appareil sous tension et appuyez sur la touche « ON/OFF » du système de commande. L'appareil devrait démarrer dans quelques secondes.
3. Après avoir fonctionné pour quelques minutes, assurez-vous que l'air qui s'échappe du haut de l'appareil est plus froid (entre 5 à 10 °C).
4. Alors que l'appareil fonctionne, éteignez la pompe du filtre. L'appareil devrait aussi s'éteindre automatiquement.
5. Faites fonctionner l'appareil et la pompe du filtre pendant 24 heures par jour jusqu'à ce que l'eau atteigne la température souhaitée. Lorsque l'eau à l'entrée de l'appareil atteint la température souhaitée, l'appareil s'éteint automatiquement. Il redémarrera automatiquement (tant et aussi longtemps que la pompe fonctionne) lorsque la température de l'eau de la piscine baisse de plus de 2°C sous la température souhaitée.

Circuit temporisé – L'appareil est doté d'un circuit temporisé à semiconducteur intégré de trois minutes pour protéger les composants du circuit de commande et pour éliminer les cycles de redémarrage et les vibrations du contacteur.

Ce circuit temporisé redémarrera automatiquement l'appareil environ trois minutes après toute interruption du circuit de commande. Même une brève interruption du courant activera le circuit temporisé à semiconducteur intégré de trois minutes et empêchera que l'appareil ne redémarre avant que le compte à rebours de cinq minutes soit achevé. Les interruptions de courant durant la période de délai n'auront aucun effet sur le compte à rebours de trois minutes.

4. UTILISATION

4.1. Fonction du contrôleur de fil

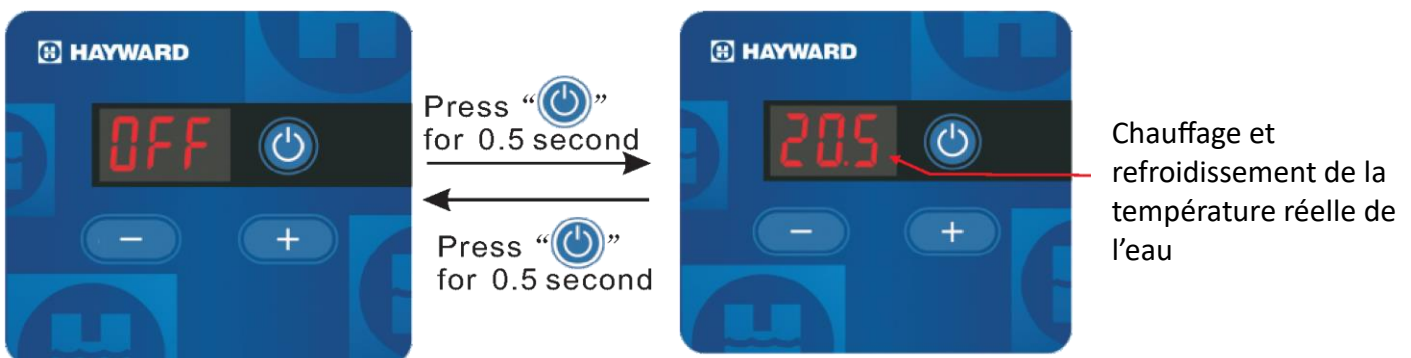


Key	Nom	Fonction
	MARCHE/ARRÊT	Appuyez sur cette touche pour allumer ou éteindre l'appareil
	HAUT	Appuyez sur cette touche pour sélectionner l'option supérieure ou augmenter la valeur du paramètre.
	BAS	Appuyez sur cette touche pour sélectionner l'option inférieure ou diminuer la valeur du paramètre.

4.2 Consignes relatives à la fonction des touches

Allumer et éteindre l'appareil

Lorsque l'appareil est éteint, appuyez sur la touche et maintenez-la enfoncée pendant 0,5 seconde pour allumer l'appareil. Lorsque l'appareil est allumé, appuyez sur la touche et maintenez-la enfoncée pendant 0,5 seconde pour éteindre l'appareil;



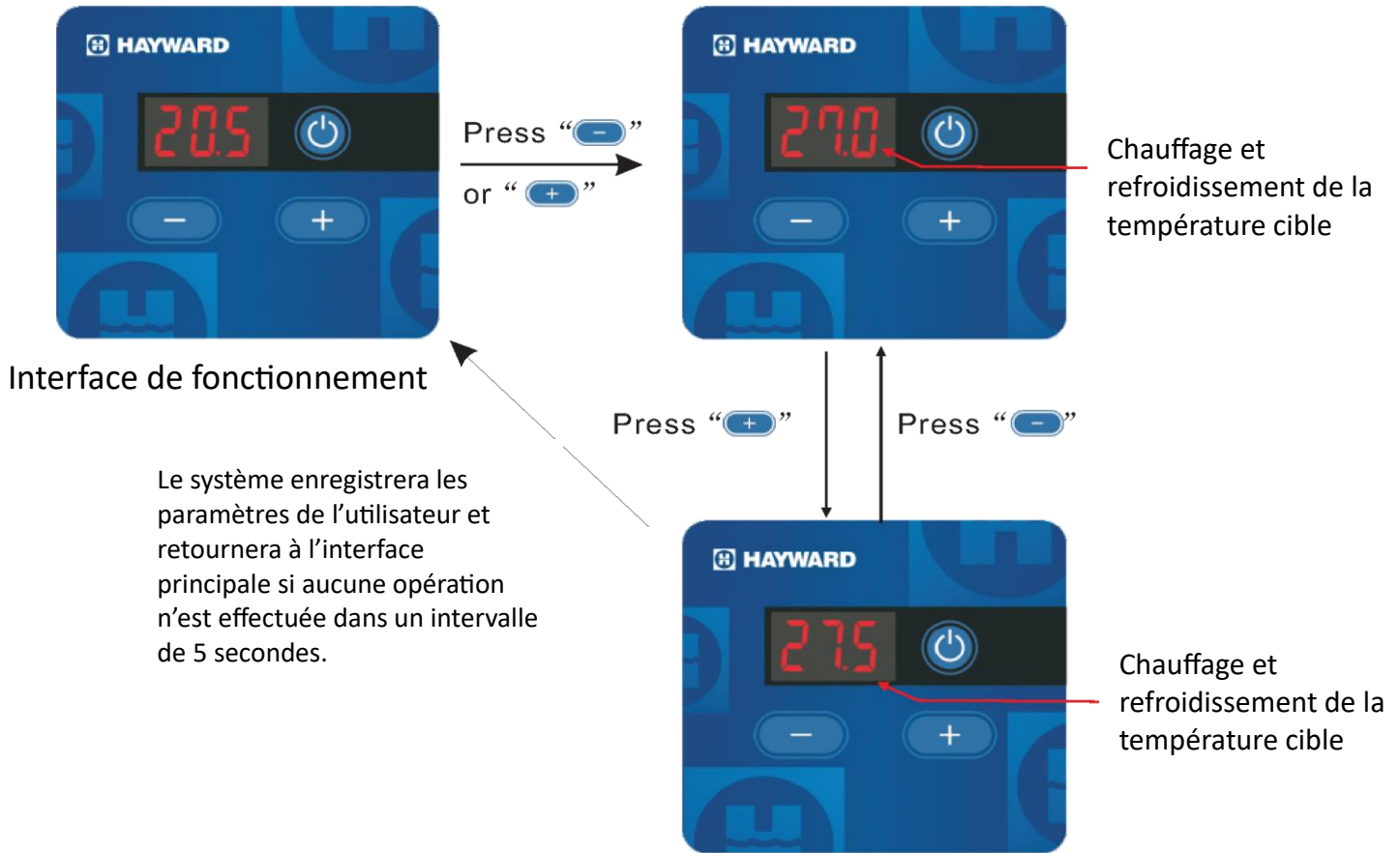
4. UTILISATION

4.3 Réglage de la température

Dans l'interface de fonctionnement, appuyez sur ' - ' ou ' + '. La température cible du mode actuel clignotera. Ensuite, appuyez sur ' + ' pour augmenter la température, ou appuyez sur ' - ' pour la diminuer.

Appuyez sur ' ⏻ ' pour ne pas enregistrer le réglage et revenir à l'interface principale.

Attention : si aucune opération n'est effectuée dans un intervalle de 5 secondes, le système enregistrera le réglage des paramètres et reviendra à l'interface principale



<p>Fonctionnement</p>	<p>Appuyez brièvement, puis longuement sur ' - ' ou ' + ' pour modifier chaque heure dans un délai de 2 secondes</p>	<p>Appuyez longuement sur ' - ' ou ' + ' pendant plus de 2 secondes pour modifier chaque heure</p>
<p>Plage de variation de la température</p>	<p>0.1°C / °F</p>	<p>1°C / °F</p>

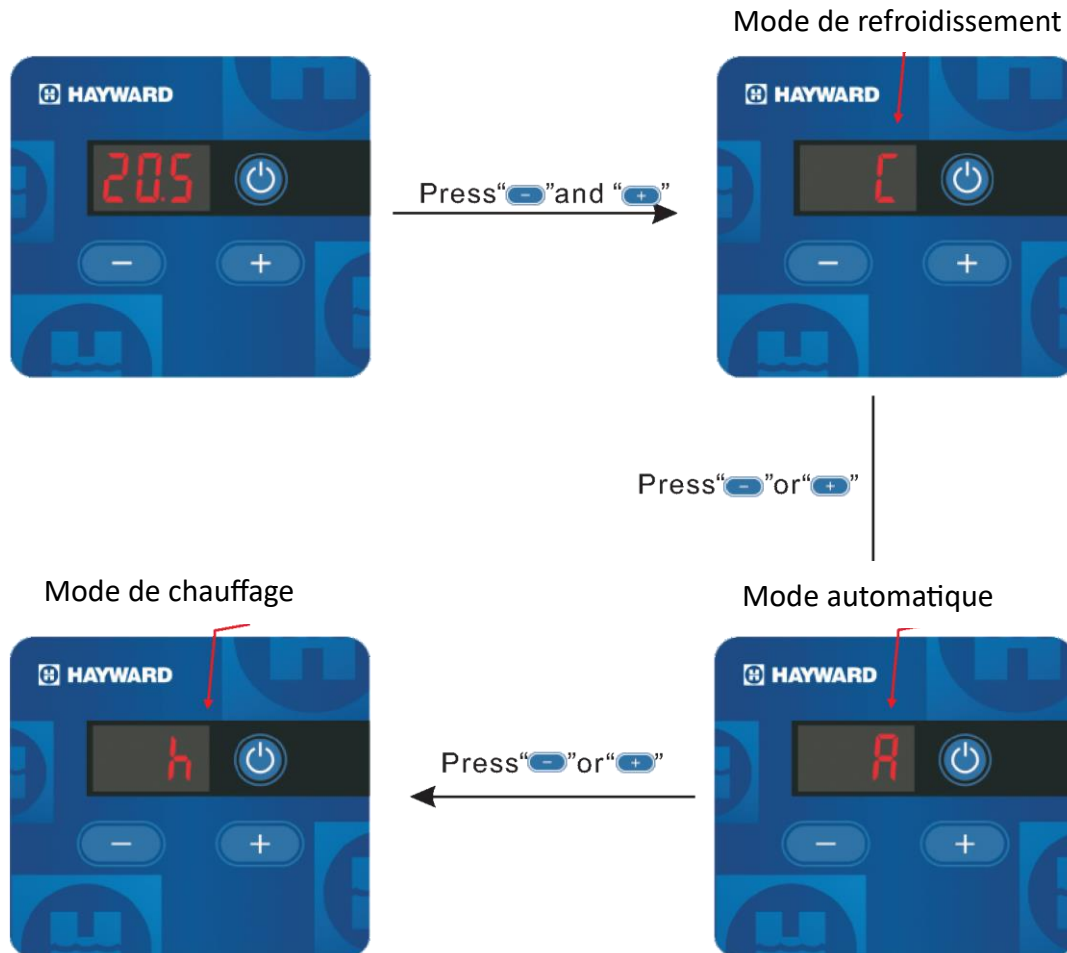
Dans l'interface principale, appuyez sur ' ⏻ ' et ' - ' pendant 5 secondes pour basculer entre °C et °F.

4. UTILISATION

4.4 Changement de mode

Dans l'interface principale, appuyez sur ' - ' et ' + ' pendant 0,5 seconde pour définir le mode ou appuyez sur ' - ' ou ' + ' pour modifier le mode actuel. Vous pouvez basculer entre les modes de refroidissement, de chauffage et automatique.

Si aucune opération n'est effectuée dans un intervalle de 5 secondes, le système enregistrera le mode actuel et reviendra à l'interface principale. Si vous appuyez sur ' ⏻ ', la modification ne sera pas enregistrée et le système reviendra à l'interface principale. Il n'y a aucun changement de mode nécessaire si vous avez acheté un appareil de chauffage ou un appareil de refroidissement uniquement.



4.5 Verrouillage du clavier

Pour éviter les erreurs de manipulation, verrouillez le contrôleur après avoir effectué le réglage des paramètres. Dans l'interface principale, appuyez sur ' ⏻ ' pendant 5 secondes. Simultanément, la commande par fil émettra un avertissement sonore pendant 1 seconde indiquant le verrouillage clavier. Lorsque le clavier est verrouillé, il suffit d'appuyer sur ' ⏻ ' pendant 5 secondes. Simultanément, la commande par fil émettra un avertissement sonore pendant 1 seconde indiquant le déverrouillage du clavier. REMARQUE : Lorsque l'appareil est en état d'alarme, le clavier se déverrouille automatiquement.

4. UTILISATION

4.6 Température de l'eau de sortie

Dans l'interface principale, appuyez sur ' + ' pendant 2 secondes pour contrôler la température de l'eau de sortie. Simultanément, le contrôleur de fil émettra un avertissement sonore pendant 1 seconde et la température de l'eau de sortie sera affichée.

Si aucune opération n'est effectuée dans un intervalle de 10 secondes ou que vous appuyez sur ' ⏻ ', le système reviendra à l'interface principale.

Interface de fonctionnement



Press " + " 2s



Température de sortie



4.7 Mise en sourdine en un clic

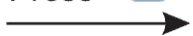
Dans l'interface principale, appuyez sur ' - ' pendant 5 secondes pour changer le mode. Si l'affichage numérique est allumé, cela signifie que la mise en sourdine en un clic a été réglée. Si l'affichage numérique est éteint, cela signifie que la mise en sourdine en un clic a été annulée.

Si aucune opération n'est effectuée dans un intervalle de 5 secondes, le système enregistrera le mode actuel et reviendra à l'interface principale.

Interface de fonctionnement



Press " - " for 5seconds



Annulation de la mise en sourdine du minutage



4. UTILISATION

4.8 Affichage des dysfonctionnements

Un code de dysfonctionnement s'affichera sur l'écran du contrôleur en cas de dysfonctionnement. Si plusieurs dysfonctionnements se produisent en même temps, vous pouvez vérifier la liste des codes d'erreur en appuyant sur ' - ' ou ' + '. Vous pouvez consulter le tableau des dysfonctionnements pour trouver la cause de la défaillance et la solution.

For example:



Défaillance du capteur de la température de l'eau d'entrée

4. UTILISATION

4.9 Réglage de l'horloge

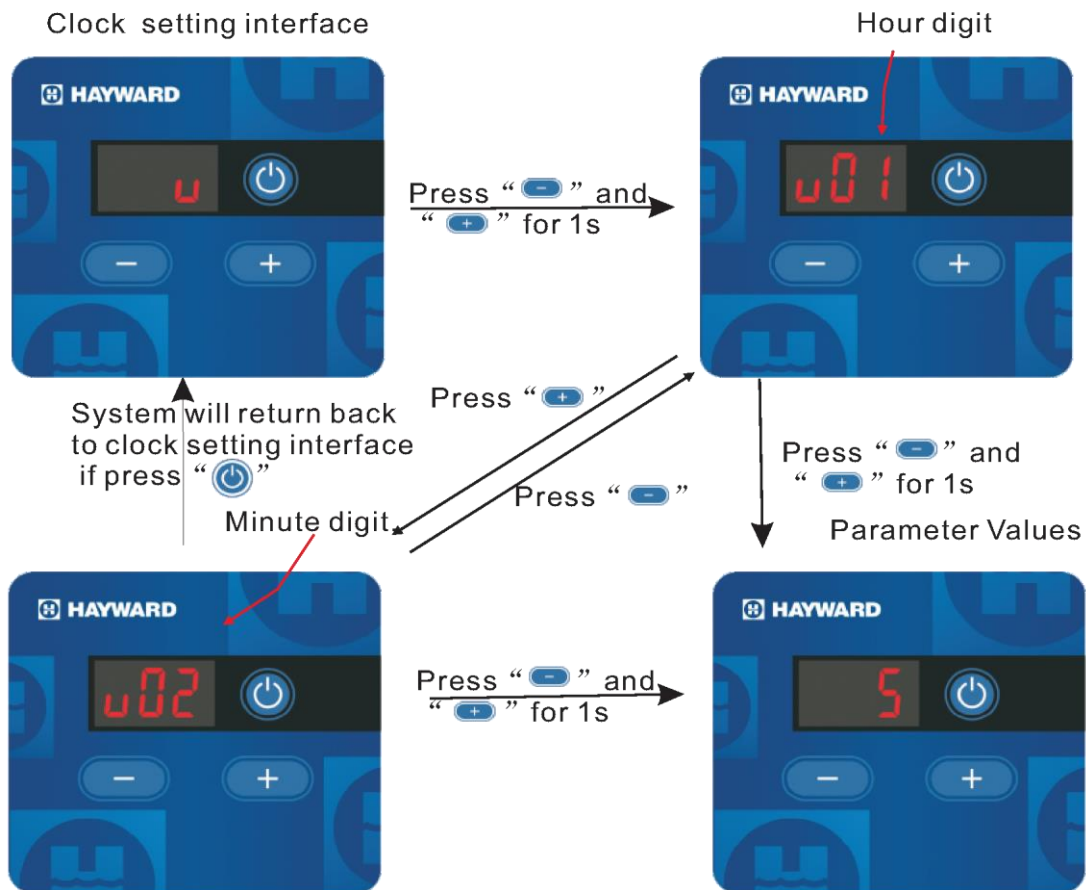
Dans l'interface principale, appuyez longuement sur ' - ' et ' + ' pendant 10 secondes pour insérer le mot de passe de l'interface de réglage.

Appuyez sur ' - ' ou ' + ' pour modifier le mot de passe, choisissez le mot de passe « 066 » et patientez pendant 3 secondes. Ensuite, vous pourrez accéder à l'interface de réglage de l'utilisateur. (Mot de passe : 066, non modifiable.)

Dans l'interface de réglage de l'utilisateur, appuyer brièvement sur ' - ' ou sur ' + ' pour sélectionner Paramètres de groupes « v ». Appuyer longuement sur ' - ' et ' + ' pendant 1 seconde pour accéder à l'interface de réglage de l'horloge.

4.10 Réglage de l'heure du système

Dans l'interface de réglage de l'horloge, appuyez sur ' - ' ou ' + ' pour régler l'horloge.

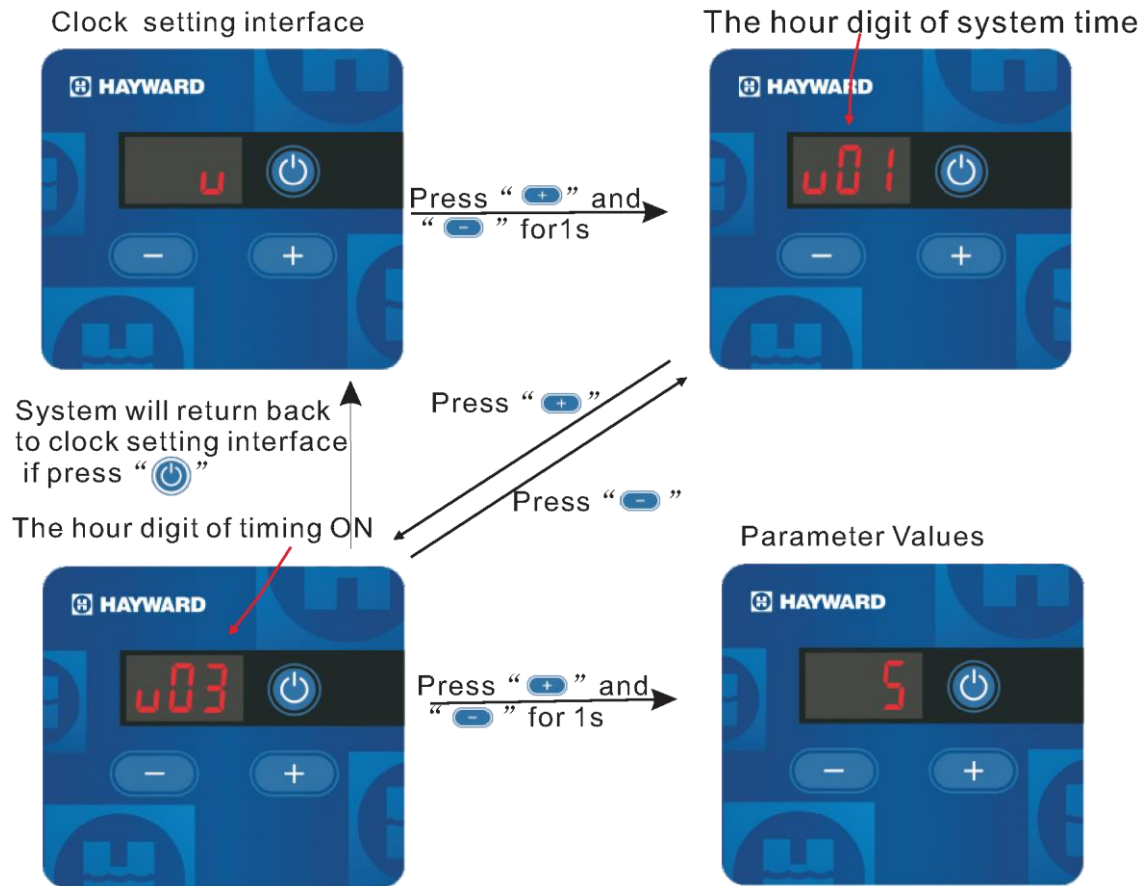


Dans l'interface de valeur des paramètres, appuyez sur ' - ' ou ' + ' pour modifier le chiffre des heures et le chiffre des minutes. Si aucune opération n'est effectuée dans un intervalle de 5 secondes, le système enregistrera le réglage des paramètres et reviendra à l'interface de réglage des valeurs.

4. UTILISATION

4.11 Réglage et annulation du minutage de mise en marche et d'arrêt

Dans l'interface de réglage de l'horloge, appuyez sur ' - ' ou ' + ' pour régler le minutage



Dans l'interface des chiffres de minutage de mise en marche, appuyez brièvement sur ' - ' ou sur ' + ' pour afficher les valeurs v03, v04, v05, v06, v07 et v08, puis appuyez sur ' - ' et sur ' + ' pour accéder à l'interface des valeurs des paramètres. Appuyez sur ' - ' ou ' + ' pour modifier le chiffre. Si aucune opération n'est effectuée dans un intervalle de 5 secondes, le système enregistrera le réglage des paramètres et reviendra à l'interface de réglage des paramètres.

Affichage	Paramètres de l'heure	Signification
V01	Le chiffre de l'heure du système	
V02	Le chiffre des minutes de l'heure système	
V03	Le chiffre de l'heure du minutage de mise en marche	
V04	Le chiffre de la minute du minutage de mise en marche	
V05	Le chiffre de l'heure du minutage d'arrêt	
V06	Le chiffre de la minute du minutage d'arrêt	
V07	Réglage du minutage de mise en marche	1 représente la sauvegarde du réglage du minutage de mise en marche 0 représente l'annulation du réglage du minutage de mise en marche
V08	Réglage du minutage d'arrêt	1 représente la sauvegarde du réglage du minutage d'arrêt 0 représente l'annulation réglage du minutage d'arrêt

4.12 Tableau des dysfonctionnements

Protect/fault	Fault display	Reason	Elimination methods
Entrée temp. Défaut du capteur	P01	La temp. Le capteur est cassé ou court-circuité	Vérifiez ou modifiez le temp. Capteur
Sortie temp. Défaut du capteur	P02	La temp. Le capteur est cassé ou court-circuité	Vérifiez ou modifiez le temp. Capteur
Temp ambiante Défaut du capteur	P04	La temp. Le capteur est cassé ou court-circuité	Vérifiez ou modifiez le temp. Capteur
Bobine 1 Temp. Défaut du capteur	P05	La temp. Le capteur est cassé ou court-circuité	Vérifiez ou modifiez le temp. Capteur
Bobine 2 Temp. Défaut du capteur	P15	La temp. Le capteur est cassé ou court-circuité	Vérifiez ou modifiez le temp. Capteur
Température d'aspiration Défaut du capteur	P07	La temp. Le capteur est cassé ou court-circuité	Vérifiez ou modifiez le temp. Capteur
Temp de décharge Défaut du capteur	P081	La temp. Le capteur est cassé ou court-circuité	Vérifiez ou modifiez le temp. Capteur
Échappement d'air à la temp. Prot.	P082	Le compresseur est en surcharge	Vérifiez si le système du compresseur fonctionne normalement
Antigel Temp. Défaut du capteur	P09	Le capteur de température antigel est cassé ou court-circuité	vérifier et remplacer ce capteur de température
Capteur de pression	PP	Le capteur de pression est cassé	Vérifier ou changer le capteur de pression
Prot. Haute pression	E01	L'interrupteur haute pression est cassé	Vérifier le pressostat et le circuit froid
Port basse pression.	E02	Protection basse pression ¹	Vérifier le pressostat et le circuit froid
Port du commutateur de débit.	E03	Pas d'eau / peu d'eau dans le système d'eau	Vérifiez le débit d'eau du tuyau et la pompe à eau
Protéines antigel pour voies navigables.	E05	Température de l'eau ou température ambiante est trop bas	
Temp. Entrée et sortie trop grand	E06	Le débit d'eau n'est pas suffisant et la pression différentielle basse	Vérifiez le débit d'eau du tuyau et si le système d'eau est bloqué
Protéines antigel.	E07	Le débit d'eau n'est pas suffisant	Vérifiez le débit d'eau du tuyau et si le système d'eau est bloqué
Protéine primaire antigel.	E19	La température ambiante Est faible	
Protéine secondaire antigel.	E29	La température ambiante Est faible	
Comp. Surintensité Prot.	E051	Le compresseur est en surcharge	Vérifiez si le système du compresseur fonctionne normalement
Défaut de communication	E08	Échec de la communication entre le contrôleur câblé et la carte mère	Vérifiez la connexion filaire entre le contrôleur de fil distant et la carte principale
Défaut de communication (module de contrôle de vitesse)	E081	Échec de la communication entre le module de contrôle de la vitesse et la carte mère	Vérifiez la connexion de communication
Protection faible	TP	La température ambiante est trop basse	
Retour du ventilateur EC	F051	Il y a quelque chose qui ne va pas avec le moteur du ventilateur et le moteur du ventilateur s'arrête de fonctionner	Vérifiez si le moteur du ventilateur est cassé ou verrouillé ou non
Défaut moteur1	F031	1. Le moteur est à l'état bloqué 2. La connexion filaire entre Le module moteur du ventilateur CC et le moteur du ventilateur sont en mauvais contact	1Changer un nouveau moteur de ventilateur 2.Vérifiez la connexion des fils et assurez-vous qu'ils sont bien en contact
Défaut moteur2	F032	3. Le moteur est à l'état bloqué La connexion filaire entre Le module moteur du ventilateur CC et le moteur du ventilateur sont en mauvais contact	1Changer un nouveau moteur de ventilateur 2.Vérifiez la connexion des fils et assurez-vous qu'ils sont bien en contact

4. UTILISATION

Tableau des defaults de la carte de conversion de fréquence :

Protection / défaut	Défaut	Raison	Méthodes d'élimination
Alarme Drv1 MOP	F01	Alarme de conduit MOP	Récupération après 150s
Onduleur hors ligne	F02	Carte de conversion de fréquence et principal défaut de communication de la carte	Vérifiez la connexion de communication
Protection de l'IPM	F03	Protection modulaire d'IPM	Récupération après 150s
Défaut de conducteur Comp.	F04	Pas de dommage sur le matériel de phase, d'étape ou d'entraînement	Vérifiez la tension de mesure Vérifiez le matériel de la carte de conversion des fréquences
Défaut du ventilateur CC	F05	Circuit de retour de courant moteur ouvert ou court-circuit	Vérifiez si les fils de retour de courant sont connectés au moteur
Surintensité IPM	F06	Le courant d'entrée IPM est élevé	Vérifiez et ajustez la mesure du courant
Surtension Inv. CC	F07	Tension du bus cc > Surtension du bus cc valeur de protection	Vérifiez la mesure de la tension d'entrée
Tension CC inférieure Inv.	F08	Tension du bus cc < Surtension du bus cc valeur de protection	Vérifiez la mesure de la tension d'entrée
Tension d'entrée inférieure Inv.	F09	La tension d'entrée est basse, causant une élévation du courant d'entrée	Vérifiez la mesure de la tension d'entrée
Surtension d'entrée. Inv.	F10	La tension d'entrée est trop élevée, plus que le courant de protection contre les pannes RMS	Vérifiez la mesure de la tension d'entrée
Tension d'échantillonnage Inv.	F11	Le défaut d'échantillonnage de la tension d'entrée	Vérifiez et ajustez la mesure du courant
Comm. Err DSP-PFC	F12	Défaut de connexion DSP et PFC	Vérifiez la connexion de communication
Surtension d'entrée	F26	La charge de l'équipement est trop grande	
Défaut de PFC	F27	La protection du circuit PFC	Vérifiez s'il y a un court-circuit dans le tube de l'interrupteur PFC
Surchauffe d'IPM	F15	Le module IPM est en surchauffe	Vérifiez et ajustez la mesure du courant
Alarme magnétique faible	F 16	La force magnétique du compresseur n'est pas suffisante	
Phase d'entrée / sortie Inv.	F17	La phase de perte de tension d'entrée	Vérifiez et mesurez l'ajustement de la tension
Courbe d'échantillonnage IPM.	F18	Défaut du courant d'échantillonnage IPM	Vérifiez et ajustez la mesure du courant
Échec de la sonde de température Inv.	F19	Le capteur est en court-circuit ou ouvert	Contrôler et remplacer le capteur
Surchauffe de l'onduleur	F20	Le transducteur est en surchauffe	Vérifiez et ajustez la mesure du courant
Alarme de surchauffe Inv.	F22	La température du transducteur est trop élevée	Vérifiez et ajustez le courant du courant
Alarme de surintensité Comp.	F23	L'électricité du compresseur est élevée	Protection contre la surintensité du compresseur
Alarme de surtension d'entrée	F24	Le courant d'entrée est trop élevé	Vérifiez et ajustez la mesure du courant
Alarme d'erreur EEPROM	F25	Erreur MCU	Vérifiez si la puce est endommagée Remplacez la puce
Défaut de sur / sous-tension V15V	F28	Le V15V est en surcharge ou en sous-tension	Vérifiez si la tension d'entrée V15V est dans la plage 13,5 v~16,5 v ou non

4. UTILISATION

4.13 Liste de paramètres

Signification	Défaut	Remarques
Point de consigne de la température cible du mode de refroidissement	27°C	Ajustable
Point de consigne de la température cible du mode chauffage	27°C	Ajustable
Point de consigne de la température cible du mode automatique	27°C	Ajustable

5. MAINTENANCE ET INSPECTION

- Vérifiez le dispositif d'alimentation en eau et le relâchement de temps en temps. L'appareil doit toujours être alimenté en eau et en air, car l'absence de ces deux éléments affecterait ses performances et sa fiabilité. Vous devez nettoyer le filtre de la piscine/du spa régulièrement, car une accumulation de saleté dans le filtre ou une obstruction de celui-ci endommagerait l'appareil.
- La zone autour de l'appareil doit être sèche, propre et bien aérée. Nettoyez régulièrement l'échangeur de chaleur latéral afin de maintenir un bon échange thermique tout en économisant l'énergie.
- Seul un technicien agréé peut entretenir la pression de fonctionnement du système réfrigérant.
- Vérifiez souvent l'alimentation et le branchement des câbles. Si l'appareil commence à fonctionner de façon anormale, éteignez-le et contactez un technicien qualifié.
- Vidangez toute l'eau de la pompe à eau et du système d'eau afin d'éviter tout risque de gel de l'eau de la pompe ou du système d'eau. Vous devez vidanger l'eau située au fond de la pompe à eau si l'appareil n'est pas utilisé pendant une période prolongée. Vous devez vérifier soigneusement l'appareil et remplir le système d'eau complètement avant de l'utiliser pour la première fois après une longue période d'inutilisation.

5.1 Hivernisation

Toutes ces étapes sont importantes pour éviter un bris par le gel.

- Mettre la thermopompe en mode ARRÊT (« OFF »).
- Couper l'alimentation électrique de la thermopompe.
- Vidanger l'appareil de toute son eau :
 - Débrancher l'entrée et la sortie d'eau.
 - Incliner légèrement l'appareil de sorte que les tuyaux d'entrée et de sortie pointent vers le sol. Utiliser une brique ou une planche de bois pour maintenir la position;
 - Éliminer toute eau stagnante à l'aide d'un aspirateur de style « Shop Vac » utilisé en mode poussée et souffler l'air du tuyau du haut de la thermopompe vers celui du bas.
- Ne pas reconnecter la plomberie sur la thermopompe.
- Boucher l'entrée et la sortie d'eau pour éviter l'intrusion de petits animaux ou de débris pendant l'hiver.
- Ne pas recouvrir la thermopompe complètement d'une toile ou d'une bâche car certaine toile peut causer une décoloration de l'équipement et une condensation trop élevée qui pourrait causer de la corrosion prématurer des composante interne da la thermopompe.

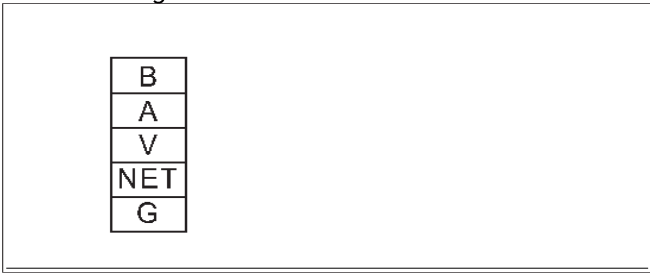


TOUT DOMMAGE OCCASIONNÉ PAR UNE MAUVAISE HIVERNISATION N'EST PAS COUVERT PAR LA GARANTIE DE LA THERMOPOMPE.

6. ANNEXES

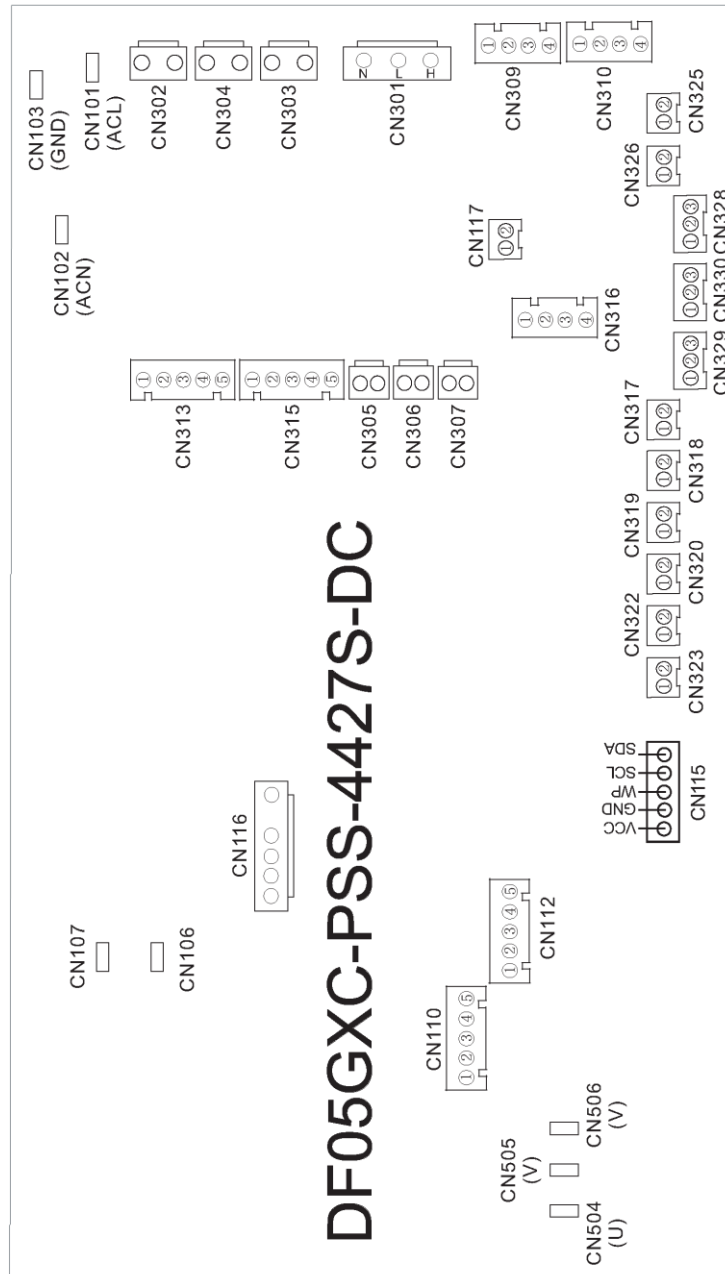
6.1 Illustration de la connexion de la carte de circuit imprimé

(1) Diagramme et définition de l'interface de commande par fil



Symbole	Signification
B	485B
A	485A
V	12V (pouvoir +)
NET	Signal de communication
G	GND (pouvoir -)

(2) Diagramme et définitions de l'interface de commande

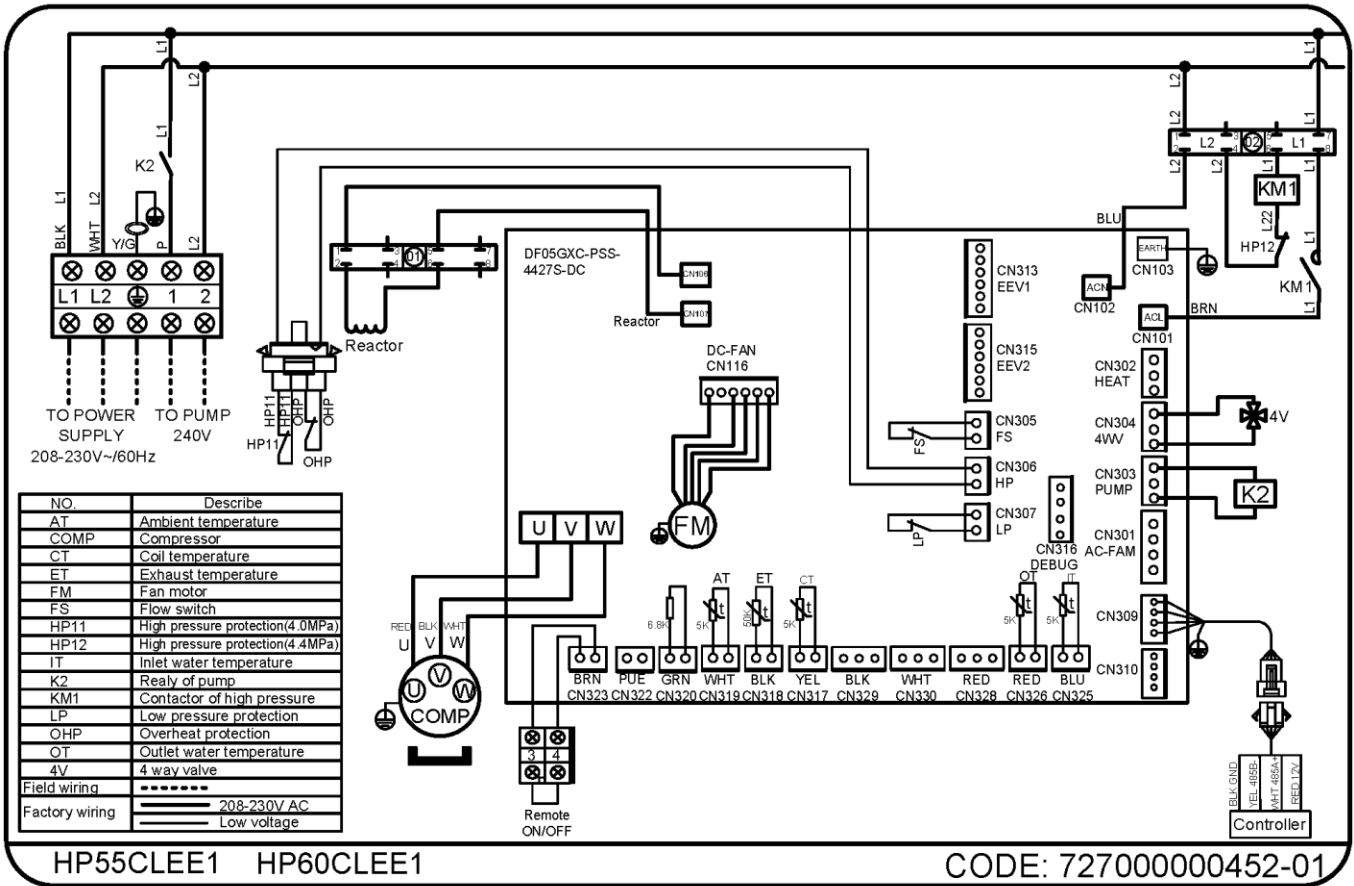


6. ANNEXES

Nombre	Symbole	Définition
01	CN504-5/6(U/V/W)	Compresseur
02	CN110	Drive debug port
03	CN112	Driver program port
04	CN116	ventilateur DC
05	CN106 CN107	Résistance
06	CN313	Detendeur electronique
07	CN315	Detendeur electronique (réservé)
08	CN305	Interrupteur de débit d'eau
09	CN306	Système haute pression
10	CN307	Système basse pression
11	CN102	Fil neutre
12	CN103	Mise à la terre
13	CN101	Fil sous tension
14	CN302	Crankshaft heating belt
15	CN304	Valve 4 voies
16	CN303	Pompe à eau
17	CN301	AC fan (H)/Chassis heating belt
18	CN117	Réservé
19	CN316	Port de programme
20	CN309	Communication du contrôleur de ligne
21	CN310	Port de communication de contrôle centralisé
22	CN325	Température d'entrée d'eau
23	CN326	Température de sortie d'eau
24	CN328	Interrupteur de pression basse
25	CN330	Réservé
26	CN329	Interrupteur de débit d'eau
27	CN317	Température du ventilo-convecteur du système

6. ANNEXES

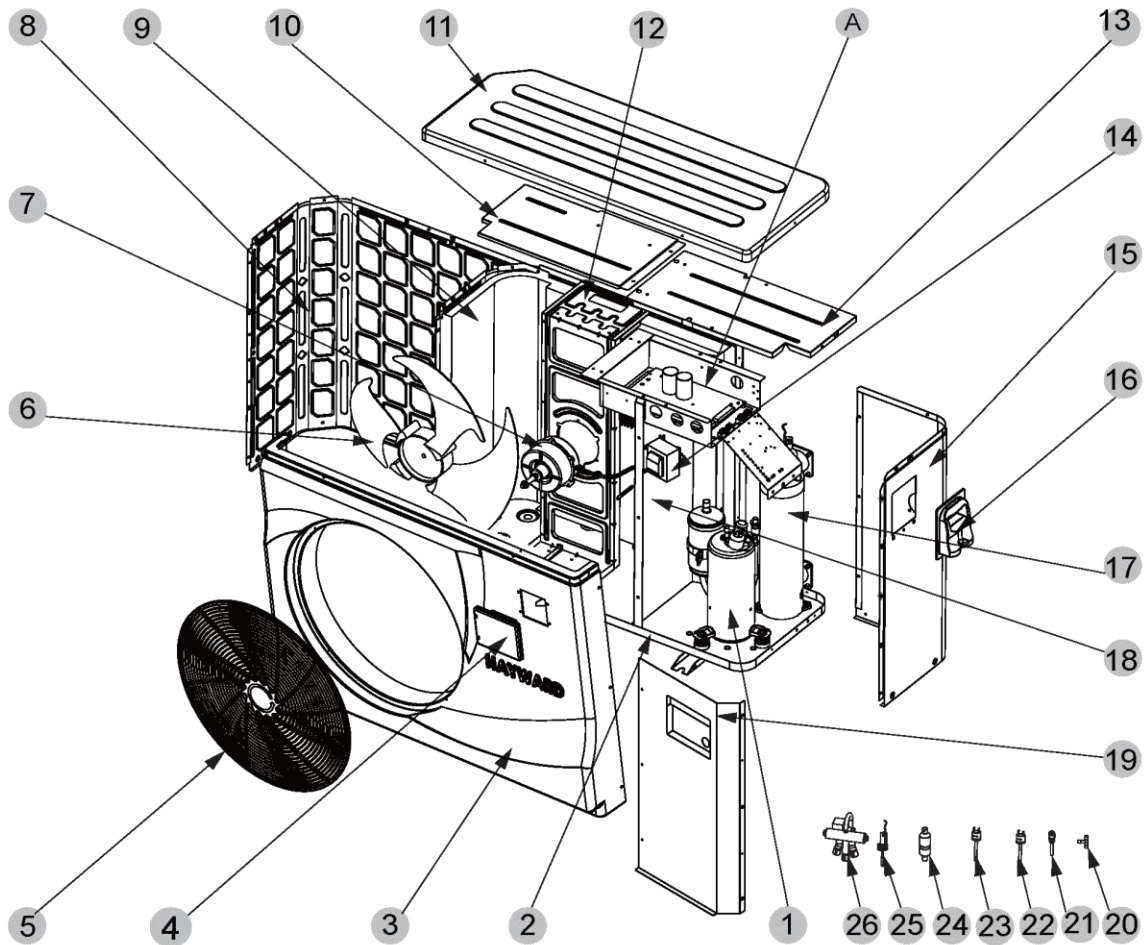
6.2 Schéma de câblage :



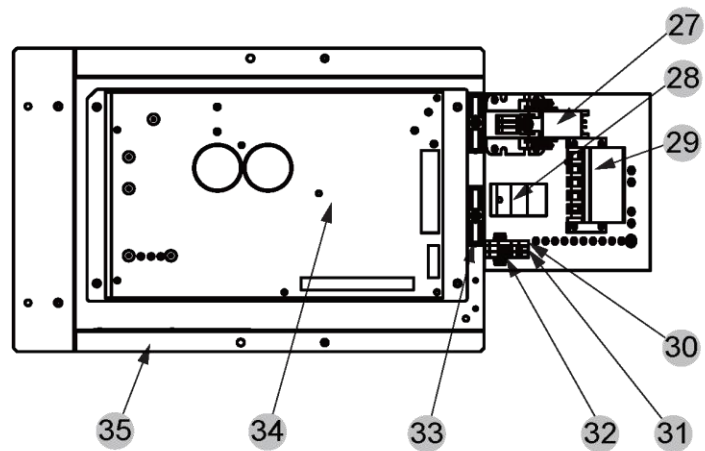
6. ANNEXES

6.3 Vue éclatée et liste de pièces de rechange - HP55CLEE1

(1) Schéma complet d'explosion de la structure de la machine



A



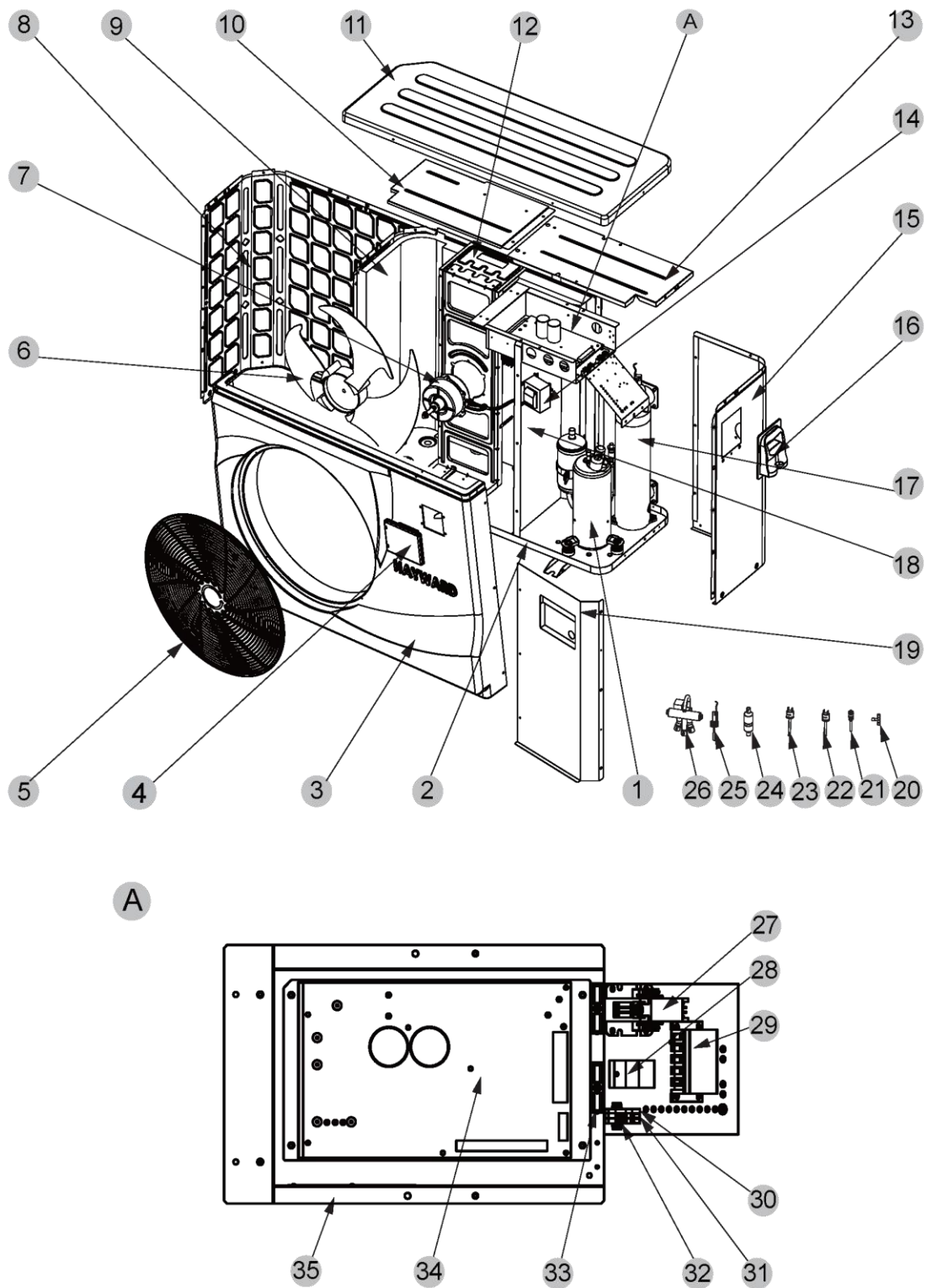
6. ANNEXES

(2) Liste des pièces principaux

No.	Code	Description	Spécification	Qty
1	HPX80100139	Compresseur	FTz-SB238ANAA	1
2	HPX80700454	Assemblage du châssis	Tôle galvanisée	1
3	HPX809000000085	Panneau avant	ABS	1
4	HPX72200516	DEL206	82300027+82400500	1
5	HPX20000-220369	Filet de ventilation	ABS	1
6	HPX20000-270004	Pale du ventilateur axial	Z500-145	1
7	HPX20000-330132	Moteur du ventilateur	ZWS75-A	1
8	HPX807000000727	Panneau latéral gauche	Tôle galvanisée	1
9	HPX80601564	Échangeur de chaleur à ailettes	680 x 290 x 700 x Φ 7 x 1,5 2,0	1
10	HPX80715865	Plaque de support	Tôle galvanisée	1
11	HPX301090-20080006	Couvercle supérieur	ABS	1
12	HPX80718435	Assemblage du support du moteur	Tôle galvanisée	1
13	HPX80723121	Couvercle du boîtier électrique	Tôle galvanisée	1
14	HPX82500021	Réacteur	EL205FN	1
15	HPX80721065	Panneau latéral droit	Tôle galvanisée	1
16	HPX32009-220029	Corps de la boîte de connexion	ABS	1
17	HPX72300034	Échangeur de chaleur à tube en titane	Φ 9,52 x 9 m Φ 110	1
18	HPX80715858	Défecteur central	Tôle galvanisée	1
19	HPX807000001307	Raccord de l'assemblage de la carte	Tôle galvanisée	1
20	HPX2000-1460	Trois liens	Φ 6,5-2 x Φ 6,5(T) x 0,75 T2M	1
21	HPX20000-140150	Soupape à aiguille	40 mm 1/2 po T0305-10	1
22	HPX20000-360157	Pressostat basse pression	0,30 Mpa/0,15 MPa \pm 0,05 normalement ouvert	1
23	HPX2001-3605	Pressostat haute pression	3,2 Mpa/4,4 MPa \pm 0,15 normalement fermé	1
24	HPX2000-1499	Filtre	Φ 9,7- Φ 3,8(Φ 19) T2Y2	2
25	HPX83000068	Capteur de débit	PSL-1 3/4	1
26	HPX2004-1437	Vanne à quatre voies	DSF-11E-1030	1
27	HPX20000-360006	Contacteur CA	HCC-1NU04AA	1
28	HPX20000-360297	Relais	HATF903AS30AC22 0 AC220V 30A	1
29	HPX20000-390231	Bornier à 5 positions	UTD-32/5P (L1, L2, PE, 1, 2)	1
30	HPX20000-390047	Bornier	D-MSB 1.5-F	1
31	HPX20000-390046	Terminaux	MSB 2.5-M	1
32	HPX20000-390049	Terminaux	MSB 2.5-F	1
33	HPX2000-3909	Bornier à 2 positions	RS9211 (450 V~4MM2)	2
34	HPX722000000011	Carte du moteur	82300137+82400282+ 82400192+82400193	1
35	HPX80715860	Assemblage du boîtier électrique	Tôles galvanisées	1

6. ANNEXES

6.3 Vue éclatée et liste de pièces de rechange - HP60CLEE1 (3) Schéma complet d'explosion de la structure de la machine



6. ANNEXES

(4) Liste des pièces principaux

No.	Code	Description	Spécification	Qty
1	HPX80100139	Compresseur	FTz-SB238ANAA	1
2	HPX80700454	Assemblage du châssis	Tôle galvanisée	1
3	HPX809000000085	Panneau avant	ABS	1
4	HPX72200516	LED206	82300027+82400500	1
5	HPX20000-220369	Filet de ventilation	ABS	1
6	HPX20000-270004	Pale du ventilateur axial	Z500-145	1
7	HPX20000-330132	Moteur du ventilateur	ZWS75-A	1
8	HPX807000000727	Panneau latéral gauche	Tôle galvanisée	1
9	HPX80600044	Échangeur de chaleur à ailettes	680 x 290 x 700 x Φ 7 x 1,5 2,0	1
10	HPX80715865	Plaque de support	Tôle galvanisée	1
11	HPX301090-20080006	Couvercle supérieur	ABS	1
12	HPX80718435	Assemblage du support du moteur	Tôle galvanisée	1
13	HPX80723121	Couvercle du boîtier électrique	Tôle galvanisée	1
14	HPX82500021	Réacteur	EL205FN	1
15	HPX80721065	Panneau latéral droit	Tôle galvanisée	1
16	HPX32009-220029	Corps de la boîte de connexion	ABS	1
17	HPX72300016	Échangeur de chaleur à tube en titane	Φ 9,52 x 9 m Φ 110	1
18	HPX80715858	Défecteur central	Tôle galvanisée	1
19	HPX807000001307	Raccord de l'assemblage de la carte	Tôle galvanisée	1
20	HPX2000-1460	Trois liens	Φ 6,5-2 x Φ 6,5(T) x 0,75 T2M	1
21	HPX20000-140150	Soupape à aiguille	40 mm 1/2 po T0305-10	1
22	HPX20000-360157	Pressostat basse pression	0,30 Mpa/0,15 MPa \pm 0,05 normalement ouvert	1
23	HPX2001-3605	Pressostat haute pression	3,2 Mpa/4,4 MPa \pm 0,15 normalement fermé	1
24	HPX2000-1499	Filtre	Φ 9,7- Φ 3,8(Φ 19) T2Y2	2
25	HPX83000068	Capteur de débit	PSL-1 3/4	1
26	HPX2004-1437	Vanne à quatre voies	DSF-11E-1030	1
27	HPX20000-360006	Contacteur CA	HCC-1NU04AA	1
28	HPX20000-360297	Relais	HATF903AS30AC22 0 AC220V 30A	1
29	HPX20000-390231	Bornier à 5 positions	UTD-32/5P (L1, L2, PE, 1, 2)	1
30	HPX20000-390047	Bornier	D-MSB 1.5-F	1
31	HPX20000-390046	Terminaux	MSB 2.5-M	1
32	HPX20000-390049	Terminaux	MSB 2.5-F	1
33	HPX2000-3909	Bornier à 2 positions	RS9211 (450 V~4MM2)	2
34	HPX722000000011	Carte du moteur	82300137+82400282+ 82400192+82400193	1
35	HPX80715860	Assemblage du boîtier électrique	Tôle galvanisée	1

6. ANNEXES

6.4 Mises en garde et avertissements

1. L'appareil ne peut être réparé que par le personnel compétent d'un centre d'installation ou par un détaillant autorisé.
2. L'appareil ne peut être utilisé par des personnes (notamment des enfants) ayant une déficience sensorielle physique ou mentale ou un manque d'expérience ou de connaissances à moins qu'elles soient supervisées ou qu'elles aient obtenu des directives concernant l'utilisation de l'appareil par la personne responsable de leur sécurité.
Les enfants doivent être supervisés pour qu'ils ne jouent pas avec cet appareil.
1. Assurez-vous que l'appareil et l'alimentation électrique sont bien mis à la terre, sinon une décharge électrique pourrait survenir.
2. Si le cordon d'alimentation est endommagé, il doit être remplacé par le fabricant ou par notre agent de service ou par une personne possédant des compétences semblables afin d'éviter tout danger.
3. Directive 2002/96/EC (WEEE) : Le symbole illustrant une poubelle barrée qui se trouve sous l'appareil indique que ce produit, une fois arrivé à la fin de son cycle de vie utile, doit être traité
4. séparément des déchets domestiques, déposé dans un centre de recyclage d'appareils électriques et électroniques ou retourné au détaillant au moment de l'achat d'un appareil équivalent.
5. Directive 2002/95/EC (RoHS) : Ce produit est conforme à la directive 2002/95/EC (RoHS) en ce qui concerne les restrictions quant à l'utilisation de produits dangereux dans les appareils électriques et électroniques.
6. L'appareil NE PEUT PAS être installé près d'une source de gaz inflammable. En présence de toute fuite de gaz, un incendie pourrait se déclarer.
7. Assurez-vous qu'il a un disjoncteur pour l'appareil; l'absence d'un tel disjoncteur peut entraîner une décharge électrique ou un incendie.
8. La thermopompe contenue à l'intérieur de l'appareil est dotée d'un système de protection de surcharge. Il empêche l'appareil de démarrer pendant au moins trois minutes après une interruption.
9. Seuls un centre d'installation, un individu ou un détaillant autorisé peuvent procéder à la réparation de cet appareil. (pour le marché nord-américain)
10. L'installation doit se faire dans le respect des codes NEC/CCE, et ce, uniquement par une personne autorisée. (pour le marché nord-américain)
11. UTILISEZ DES CÂBLES D'ALIMENTATION ADÉQUATS POUR 75°C.
12. Mise en garde : Échangeur thermique à une paroi; ne convient pas à un raccordement à de l'eau potable.

6. ANNEXES

6.5 Spécifications relatives aux câbles

(1) Appareil monophasé

Courant maximum sur la plaque signalétique	Ligne monophasée	Ligne de mise à la terre	MCB	Protection contre les fuites	Ligne du signal
Pas plus de 10 A	2×1,5 mm ²	1,5 mm ²	20 A	30 mA moins de 0,1 s	n×0.5mm ²
10~16 A	2×2,5 mm ²	2,5 mm ²	32 A	30 mA moins de 0,1 s	
16~25 A	2×4 mm ²	4 mm ²	40 A	30 mA moins de 0,1 s	
25~32 A	2×6 mm ²	6 mm ²	40 A	30 mA moins de 0,1 s	
32~40 A	2×10 mm ²	10 mm ²	63 A	30 mA moins de 0,1 s	
40 ~63 A	2×16 mm ²	16 mm ²	80 A	30 mA moins de 0,1 s	
63~75 A	2×25 mm ²	25 mm ²	100 A	30 mA moins de 0,1 s	
75~101 A	2×25 mm ²	25 mm ²	125 A	30 mA moins de 0,1 s	
101~123 A	2×35 mm ²	35 mm ²	160 A	30 mA moins de 0,1 s	
123~148 A	2×50 mm ²	50 mm ²	225 A	30 mA moins de 0,1 s	
148~186 A	2×70 mm ²	70 mm ²	250 A	30 mA moins de 0,1 s	
186~224 A	2×95 mm ²	95 mm ²	280 A	30 mA moins de 0,1 s	

2. Appareil triphasé

Courant maximum sur la plaque signalétique	Ligne monophasée	Ligne de mise à la terre	MCB	Protection contre les fuites	Ligne du signal
Pas plus de 10 A	3×1,5 mm ²	1,5 mm ²	20 A	30 mA moins de 0,1 s	n×0.5mm ²
10~16 A	3×2,5 mm ²	2,5 mm ²	32 A	30 mA moins de 0,1 s	
16~25 A	3×4 mm ²	4 mm ²	40 A	30 mA moins de 0,1 s	
25~32 A	3×6 mm ²	6 mm ²	40 A	30 mA moins de 0,1 s	
32~40 A	3×10 mm ²	10 mm ²	63 A	30 mA moins de 0,1 s	
40 ~63 A	3×16 mm ²	16 mm ²	80 A	30 mA moins de 0,1 s	
63~75 A	3×25 mm ²	25 mm ²	100 A	30 mA moins de 0,1 s	
75~101 A	3×25 mm ²	25 mm ²	125 A	30 mA moins de 0,1 s	
101~123 A	3×35 mm ²	35 mm ²	160 A	30 mA moins de 0,1 s	
123~148 A	3×50 mm ²	50 mm ²	225 A	30 mA moins de 0,1 s	
148~186 A	3×70 mm ²	70 mm ²	250 A	30 mA moins de 0,1 s	
186~224 A	3×95 mm ²	95 mm ²	280 A	30 mA moins de 0,1 s	



Hayward Pool Products Canada, Inc.
T: 1-888-238-7665
Haywardpiscine.ca