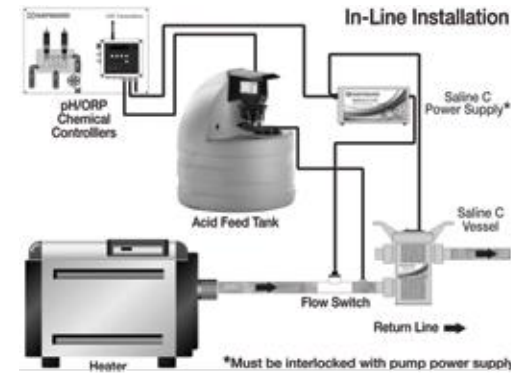
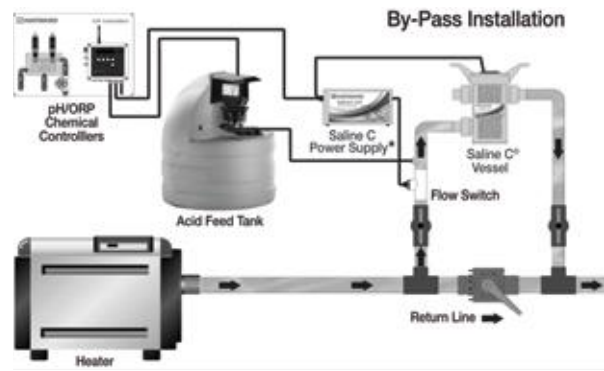


INSTALLATION



TECHNICAL SPECIFICATIONS

Part Number	Commercial Salt Chlorine Generator	
	HCSC60	HCSC110
Power Supply Dimensions	12" W x 8" H x 5.625" D	12.75" W x 8" H x 11.125" D
Vessel Dimensions	13.5" W x 15.75" H x 6" D	16.06" W x 22.42" H x 9.28" D
Certifications	UL1081, CSA C22, NSF/ANSI 50	UL1081, CSA C22, NSF/ANSI 50
LCD Display	Output adjustable 0 - 100%	(2) Output adjustable 0 - 100%
Flow Sensor	2" Magnetic with embedded reed switch	4" Magnetic with embedded reed switch
Power Input (Power Supply)	USA: 6.5 amps, 120V/60Hz International: 4.0 amps, 230V/50Hz	USA: 6.5 amps, 120V/60Hz International: 5.0 amps, 230V/50Hz
ORP Input	Cord with male pigtail connected (supplied blue cord)	Cord with male pigtail connected (supplied blue cord)
Vessel Rated Pressure	50 psi	50 psi
Housing Inlet/Outlet	2" Union inlet/outlet	4" Union inlet/outlet
Reaction Chamber Style	Clear plastic	Clear plastic
Flow Required	40 gpm through cell to achieve rated production	80 gpm through cell to achieve rated production
Maximum Flow Rate	125 gpm	250 gpm
Salt Operating Range	3,500 - 5,000 ppm	3,500 - 5,000 ppm
Electrode Stack	Reverse polarity 4mm plate gap	Reverse polarity 4mm plate gap
Production Capacity	5.0 lbs @ 3,500 ppm* 6.0 lbs @ 5,000 ppm*	9.2 lbs @ 3,500 ppm** 10.8 lbs @ 5,000 ppm**
Safety System	5 gpm low flow shutoff Low salt indicator Low salt shutoff (2500-3,000 ppm) Over voltage and over current protection Conformal coated electronics for environmental protection	5 gpm low flow shutoff Low salt indicator Low salt shutoff (2500-3,000 ppm) Over voltage and over current protection Conformal coated electronics for environmental protection
Warranty	2-year warranty Warranty pro-rated on electrode stack	2-year warranty Warranty pro-rated on electrode stack

*NSF Certified at 5 lbs. per day.
**NSF Certified at 10 lbs. per day.

Hayward® Commercial is ready to jump in: **1.800.657.2287**. Our toll-free line will put you in direct contact with an experienced, technical, commercial products specialist. We're here to serve you.

Saline C Series listed by:

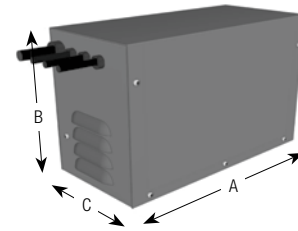


Hayward Commercial
10101 Molecular Dr. | Suite 200 | Rockville, MD 20850
Visit us at: www.haywardcommercialpool.com

Total System: Pumps | Filters | Heating | Cleaners | **Sanitization** | Automation | Lighting | Safety | White Goods | Flow Control

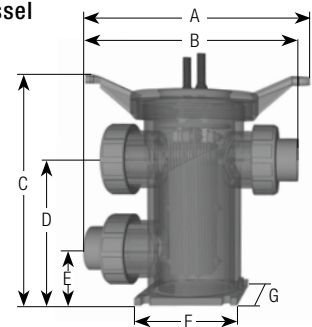
DIMENSIONS

Power Supply



	Saline C 6.0	Saline C 11.0
A	12"	12.75"
B	8"	8"
C	5.625"	11.125"

Vessel



	Saline C 6.0	Saline C 11.0
A	13.5"	16.06"
B	12.875"	15.56"
C	15.75"	22.42"
D	9.5"	14.83"
E	3.25"	4.83"
F	6"	6"
G	6"	6"

ACCESSORIES

Part Number	Description	Carton Quantity	Carton Weight (lbs.)
HCSBP3-KIT	3" Commercial Salt Chlorine Generator - Bypass Kit	1	16.0
HCSBP4-KIT	4" Commercial Salt Chlorine Generator - Bypass Kit	1	19.0
HCSJBOX-BU	Junction Box for Sanitizer Back-up	1	3.0
HCSCECK15	15' Cell to Power Supply - Extension Cable Kit	1	5.0
HCSCECF15	15' Flow Sensor to Power Supply - Extension Cable Kit	1	5.0



Hayward® Commercial Pool Products

Saline C® Series

COMMERCIAL SALT CHLORINE GENERATORS
6 & 11 LB. SYSTEMS



Industrial-grade, eco-friendly,
low-cost chlorine solution

COMMERCIAL SANITIZATION

All you need is ONE.

The Saline C® Series of electronic chlorine generators provides an elegant, rugged solution specifically designed to meet the demands of commercial installation. The new Saline C 11.0 model is capable of generating 11 lbs of chlorine per day, complementing the current Saline C 6.0, which is capable of generating 6 lbs of chlorine per day. Both systems deliver all of the benefits of salt chlorination without the wasted space and extra cost of multiplexing multiple residential units. Connect Saline C with any of our Hayward®/CAT water chemistry controllers for truly automated water quality management, and take advantage of our convenient monitoring website, PoolComm®, to audit and track your water remotely.

COMMERCIAL-GRADE SALT CHLORINATION SOLUTION

- Ideal for commercial swimming pools with high chlorine demand or requirements
- A single Saline C 6.0 unit can handle up to a 60,000-gallon outdoor pool or a 90,000-gallon indoor pool*
- A single Saline C 11.0 unit can handle up to a 110,000-gallon outdoor pool or a 165,000-gallon indoor pool*
- Compact design with single electrolytic cell
- 110V plug-in efficient switch mode power supply
- Industrial-grade, clear vessel for easy inspection
- Reverse polarity self-cleaning technology
- Simple 1-minute electrode removal
- Plug N' Play chemical automation

NATURAL, ECO-FRIENDLY SANITIZATION FOR A MORE ENJOYABLE SWIMMING EXPERIENCE

- Eliminate the need for transportation, handling and storage of hazardous chlorine
- Reduce chloramines and associated odors/corrosion
- 40% to 60% lower cost per pound of chlorine vs. sodium and calcium hypochlorite
- Game-changing initial investment and cost of ownership
- Simple, low-cost installation vs. multi-cell alternatives
- NSF Certified

*Please check local codes. The sizing provided is based on:
1 lb of chlorine production per 10,000 gallons of water volume (outdoor pools)
1/2 lb of chlorine production per 10,000 gallons of water volume (indoor pools)

SALINE C 6.0

SALINE C 11.0



SIMPLE ONE-MINUTE ELECTRODE REPLACEMENT

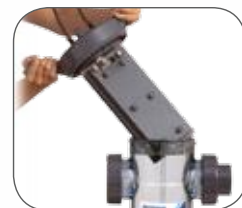
STEP 1:

Twist and remove lid



STEP 2:

Lift lid and remove electrode from inside vessel



STEP 3:

Replace with clean or new lid/electrode assembly



THE PERFECT FIT WITH ANY pH/ORP CAT CONTROLLERS®

For total efficiency and maximum control, Saline C Series is compatible with any pH/ORP CAT Controllers. Just plug the Saline C Series Generator into one of our CAT Controllers, and this easy-to-install system becomes a truly self-managing, automated water quality management solution. In addition, commercial pool operators/managers can experience the convenience of remote monitoring and audit tracking of multiple pools via PoolComm, all from an iPhone®, Android™ or any other web enabled device.

Male pigtail for Plug N' Play with pH and ORP Chemical Controllers

Clear LED read-out with low salt/check warning indicator

Single-button user adjustable output control from 5% to 100%

Dual Control Mode for precise chlorine production control (Saline C 11.0 model only)

Both models feature 110V single plug-in energy-efficient switch-mode power supplies

