



## Water Bowl

Water Feature With LED Lighting

### Owner's Manual



#### Contents

|                        |    |
|------------------------|----|
| Introduction.....      | 2  |
| Installation.....      | 2  |
| Plumbing.....          | 5  |
| Electrical Wiring..... | 6  |
| Bowl Installation..... | 9  |
| Operation.....         | 10 |
| Maintenance.....       | 12 |
| Replacement Parts..... | 13 |
| Warranty.....          | 14 |

WFBRNDBRS  
WFBRNDBRNZ  
WFBRNDCLR  
WFBRNDCLR  
WFBRNDCLR  
WFBRNDGPR  
WFBRNDGPR  
WFBRNDGPR  
WFBRNDGPR  
WFBRNDGPR  
WFBRNDGPR  
WFBRNDGPR  
WFBRNDGPR  
WFBRNDGPR

WFBSQRBRS  
WFBSQRBRNZ  
WFBSQRCLR  
WFBSQRCLR  
WFBSQRCLR  
WFBSQRCLR  
WFBSQRCLR  
WFBSQRCLR  
WFBSQRCLR  
WFBSQRCLR  
WFBSQRCLR  
WFBSQRCLR  
WFBSQRCLR  
WFBSQRCLR  
WFBSQRCLR

LBCUS11100  
LBCUS11150

Hayward Industries  
400 Connell Drive, Suite 6100  
Berkeley Heights, NJ 07922  
Phone: (908) 355-7995  
[www.hayward.com](http://www.hayward.com)



# HAYWARD®

## IMPORTANT SAFETY INSTRUCTIONS

When using this electrical equipment, basic safety precautions should always be followed, including the following:



### READ AND FOLLOW ALL INSTRUCTIONS

**▲ WARNING** - Read and follow all instructions in this owner's manual and on the equipment. Failure to follow instructions can cause severe injury and/or death.



**▲ WARNING** - ELECTRIC SHOCK HAZARD. MOUNTING A LUMINAIRE THAT REQUIRES BONDING OR GROUNDING IN THIS NICHE CAN CAUSE SEVERE INJURY AND/OR DEATH. DO NOT MOUNT NON-UL LISTED LIGHTS OR ANY LUMINAIRE THAT REQUIRES BONDING OR GROUNDING IN THIS NICHE.



**▲ WARNING** - Risk of Electric Shock. Hazardous voltage can shock, burn, and cause death or serious property damage. All electrical wiring **MUST** be in conformance with applicable local codes, regulations, and the National Electrical Code (NEC). To reduce the risk of electric shock, do **NOT** use an extension cord to connect unit to electric supply. Provide a properly located electrical receptacle. Before working on any electrical equipment, turn off power supply to the equipment.



**▲ WARNING** - Risk of Electric Shock. Opening light can cause shock, burn and severe injury. Light has no user serviceable parts inside. Do not open light.

**▲ NOTICE** - **This swimming pool product is UL listed** for permanently installed pools or spas only. It is not listed for storable pools or spas. Permanently installed pools and spas are those constructed in or partially in the ground and all others capable of holding water in a depth greater than 42 in (1.07 m). Storable pools and spas are those constructed on or above the ground and capable of holding water to a maximum of 42 in (1.07 m).



**▲ WARNING** - Electrical shock hazard. Damage to wiring can cause severe injury or death. To reduce the risk of electric shock replace damaged wiring immediately. Locate conduit to prevent abuse from lawn mowers, hedge trimmers and other equipment.

### SAVE THESE INSTRUCTIONS



# HAYWARD®

## Introduction

The Hayward Water Bowl is a bowl-shaped water feature containing an LED light that together create a stunning flickering fire effect designed to enhance your backyard pool or spa experience. The Water Bowl must be installed as specified by these instructions. Please follow ALL of the instructions enclosed with this unit. It is recommended to keep the unit in its original packaging until the site is prepared for installation.

### What's Included

Refer to the table and graphic below for a list of all items included with the Hayward Water Bowl.

| Item # | Part Description                | Quantity |
|--------|---------------------------------|----------|
| 1      | Niche Assembly                  | 1        |
| 2      | LED Light Assembly              | 1        |
| 3      | Bowl Assembly (round or square) | 1        |
| 4      | Water Spout Assembly            | 1        |

## Installation

### Preparation

Determine the install location(s) for the Water Bowl. Be sure to follow all NEC and local codes during installation. For optimal performance, the lip of the bowl should be aligned with or slightly hanging over the edge of the pool or spa. The electrical junction box and/or low voltage transformer should be located at least 48 inches from the edge of the pool or spa and at least 4 inches above ground and 8 inches above the bowl's water level.

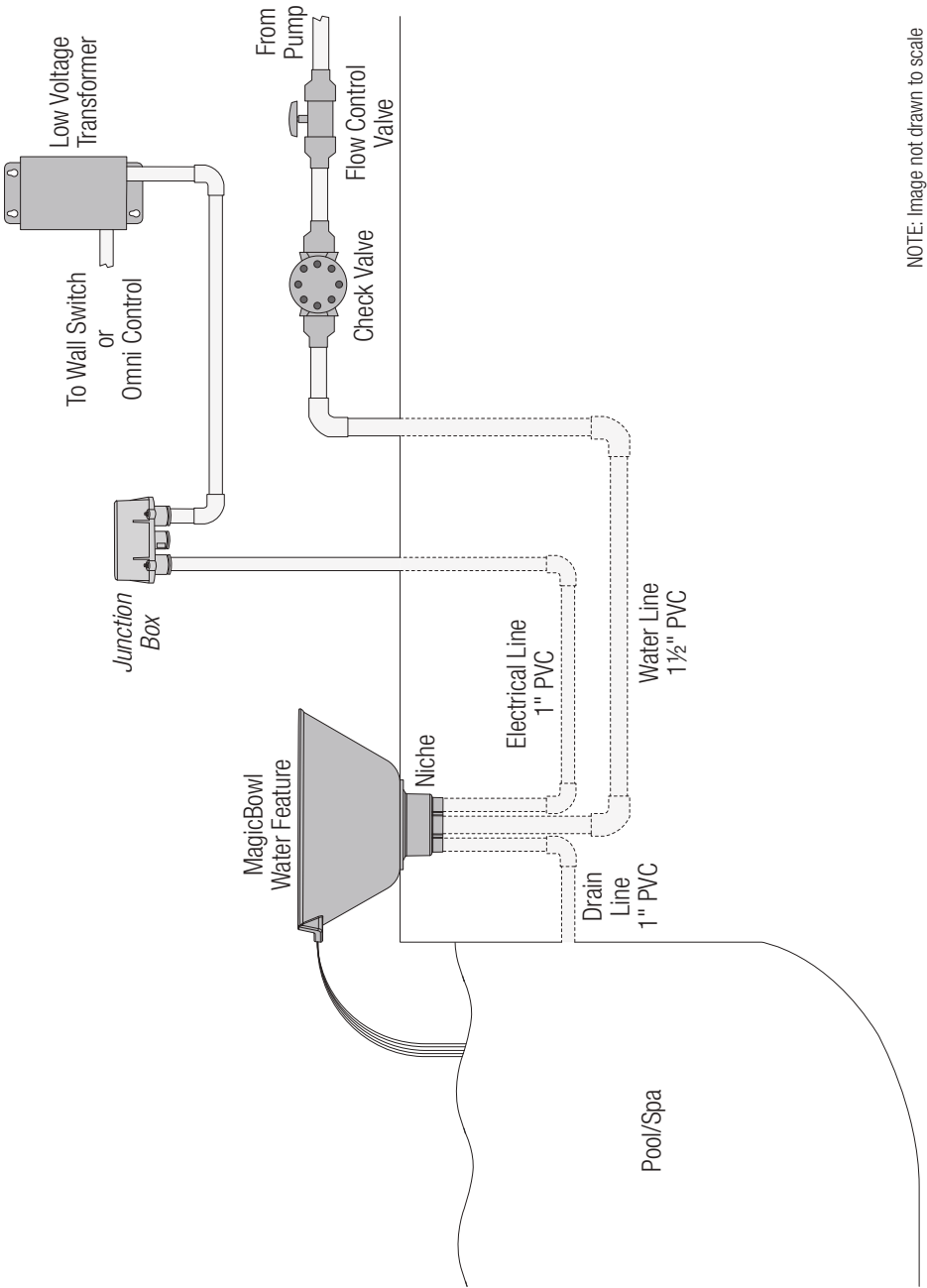
Once you have determined the install location(s), gather all necessary tools and refer to the following sections to rough-in plumbing and electrical lines.

### Overview

Refer to the diagram on the following page for a basic installation overview. Note that the plumbing for the Water Bowl requires a check valve to prevent drain off when the system is not in use. A flow control valve should also be used in order to obtain the optimal water effect in the bowl.



# HAYWARD®

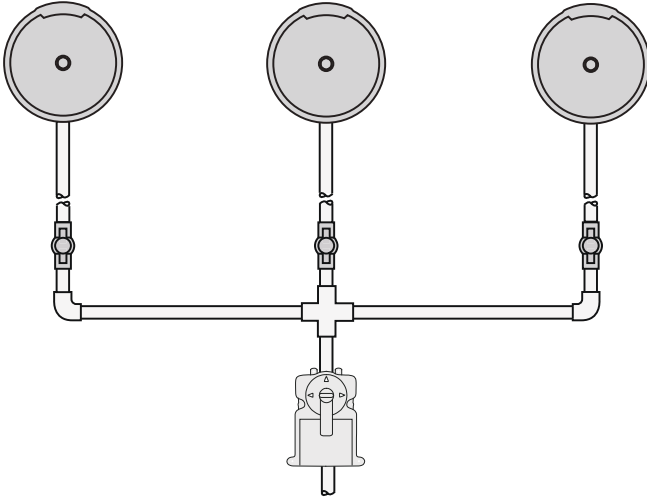


NOTE: Image not drawn to scale

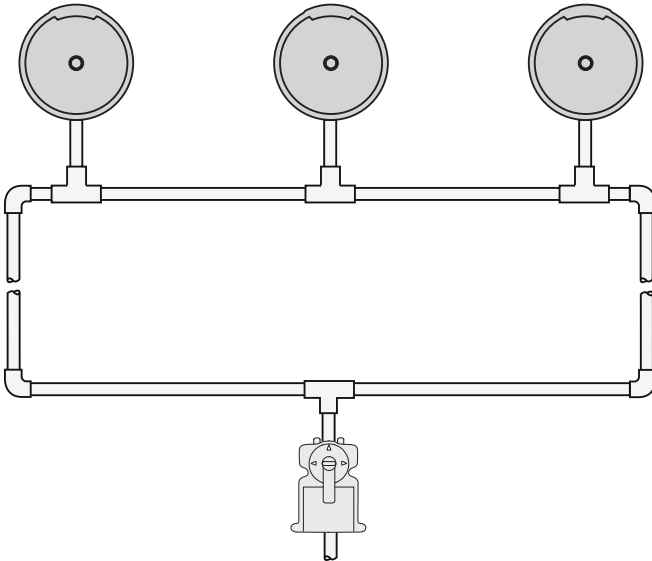


**HAYWARD®**

Use individual flow control valves for bowls plumbed at different distances.



Use looped plumbing for bowls plumbed at the same distance.

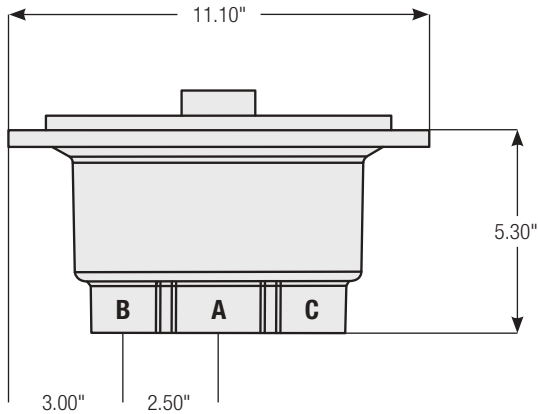




# HAYWARD®

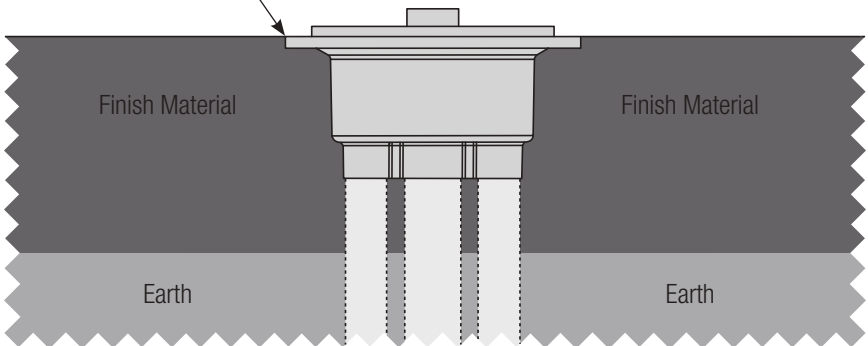
## Plumbing

Before installing the Water Bowl, rough-in plumbing pipe and electrical conduit. Refer to the diagram below for niche dimensions.



- Step 1:** Rough-in water supply line (A) plumbing run using 1½" Schedule 40 PVC pipe.
- Step 2:** Rough-in drain line (B) plumbing run using 1" Schedule 40 PVC pipe.
- Step 3:** Rough-in electrical line (C) plumbing run using 1" Schedule 40 PVC pipe.
- Step 4:** Solvent bond niche to the water line, drain line, and electrical line pipes using PVC glue.
- Step 5:** Backfill the cavity around the niche up to the flange as shown in the diagram below.

Finish material  
should be flush with  
top of niche flange



- Step 6:** Finish plumbing water line, electrical line, and drain line as shown in the overview diagram on page 3.



# HAYWARD®

## Electrical Wiring

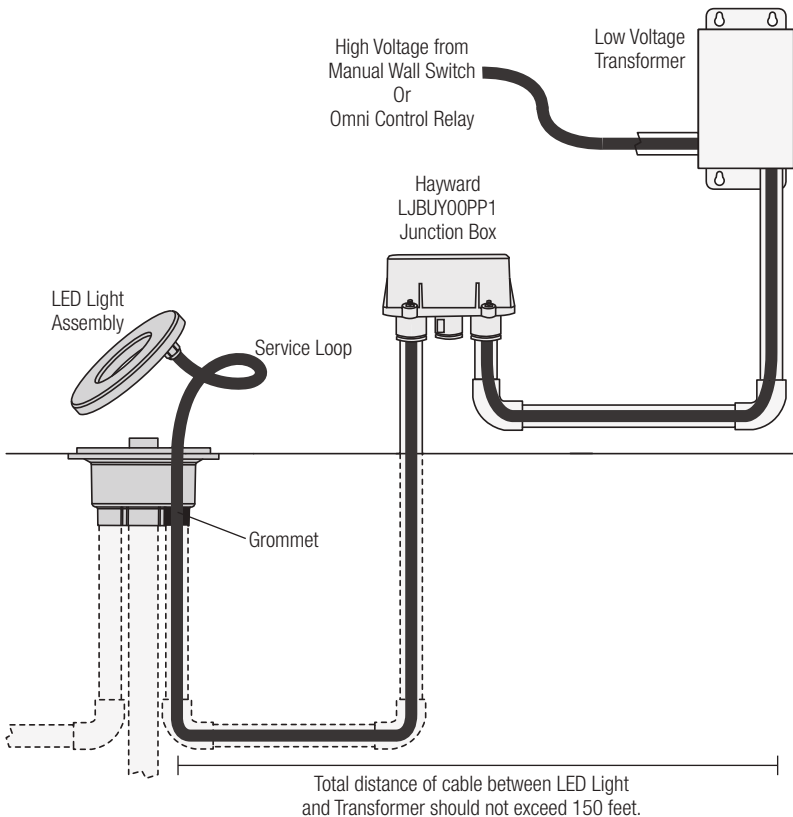
The Water Bowl's LED Light requires the use of a low voltage transformer (not included). See chart below to determine the type of transformer you will need based on the number of LED Lights used. When considering the number transformers required, note that one LED Light is 25W and the load on a transformer should not exceed 80% of the maximum wattage.

| Number of Lights | Type of Transformer   |
|------------------|-----------------------|
| 1-2              | 70W                   |
| 3-9              | 300W                  |
| 10+              | Multiple Transformers |

NOTE: Any lights wired to the same transformer will run together. If independent operation is desired, then each light or group of lights will require their own separate transformer and relay.

### Wiring Overview

Refer to the wiring overview diagram below and the steps on the following pages for wiring instructions.





## Step 1: Running the Cable

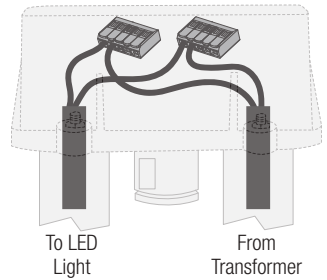
With the niche now installed, it is time to run the wiring cable from the LED light to the junction box or low voltage transformer. Note that the maximum cable length between the Water Bowl niche and the low voltage transformer should not exceed 150 feet. Cable runs that are 100 feet or less should use 14 gauge wire and more than 100 feet should use 12 gauge wire. Feed the cable through the electrical line until you have about 12-24 inches of service loop in the niche. At the junction box/transformer, cut the extra cord leaving enough for wiring.

*If using an optional junction box* - run the cable from the junction box to the low voltage transformer. Cut the extra cord at both the junction box and the transformer leaving enough for wiring.

Run the cable from the power source – either a manual wall switch or an Omni control relay – to the low voltage transformer. Cut the extra cord at both ends leaving enough for wiring.

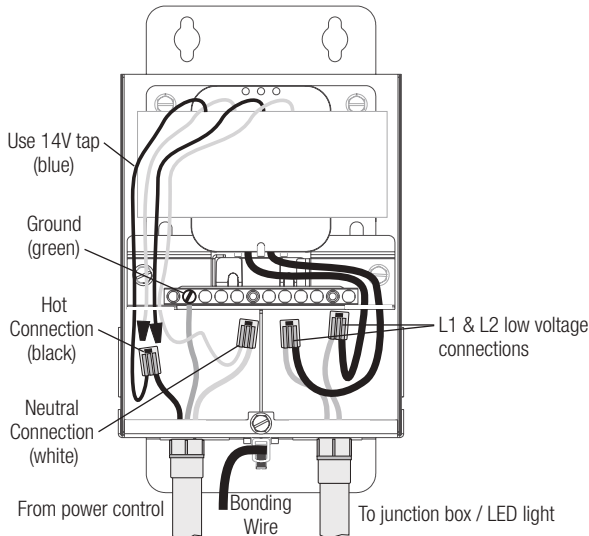
## Step 2: Junction Box Wiring (optional)

A junction box is useful if multiple Water Bowl LED Lights will be wired together. To make connections easier, it is recommended to use Wago 221 Series lever nuts (pictured in graphic to the right) but standard electrical wire nuts can also be used.



## Step 3: Low Voltage Transformer Wiring

Refer to the following graphic when using a Hayward 300W transformer. For other transformers, refer to their included instructions. Be sure to follow all NEC and local codes when wiring.



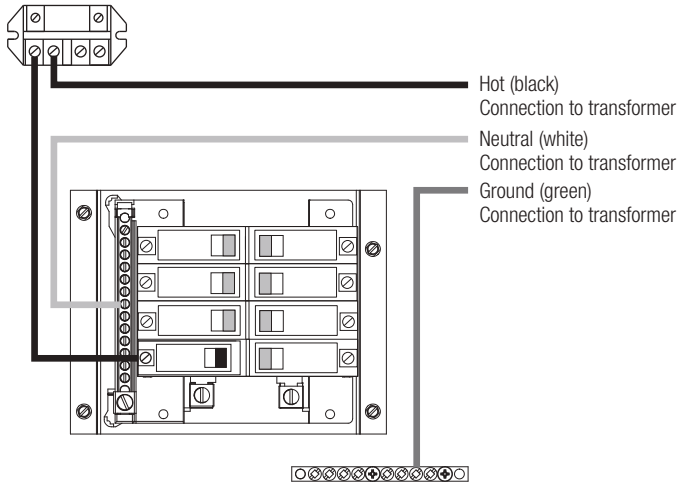




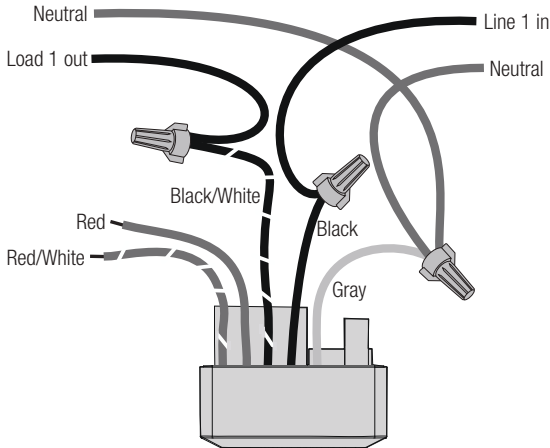
## Step 4: Power Control Wiring

When wiring to a wall switch, follow the directions in the manual provided with that product. When wiring to an Omni control relay or an Omni Smart Relay, refer to the graphics below. Be sure to follow all NEC and local codes when wiring.

### Omni Standard Relay Wiring



### Omni Smart Relay Wiring





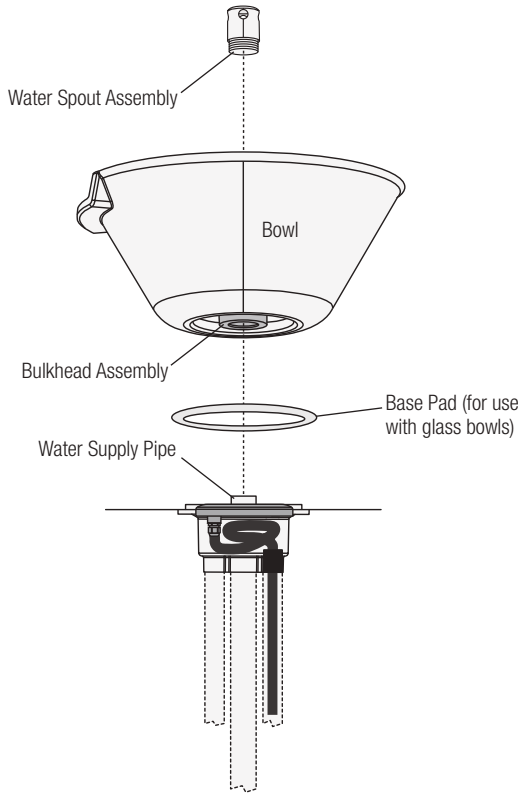
# HAYWARD®

## Step 5: Set LED Light in Niche

With wiring complete, the LED light is ready to be set in the niche. Seal the gap around the power cable in the electrical line in the niche using the rubber grommet that is pre-installed on the power cable. Once sealed, gently set the LED light assembly onto the ribs in the niche so it is seated properly. **IMPORTANT:** Since the bowl will rest on top of this surface, make sure that the LED light assembly is seated properly so it is not damaged.

## Bowl Installation

Refer to graphic below and the following steps for bowl installation.

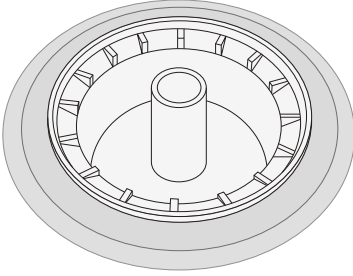


**Step 1 - For Glass Bowl Installations:** When installing a glass bowl, the use of a base pad is recommended to prevent damage to the bowl. Place the base pad over the niche collar as shown on the following page. For square bowl installations, make sure that the edge of the base pad is aligned with the edge of the pool deck.

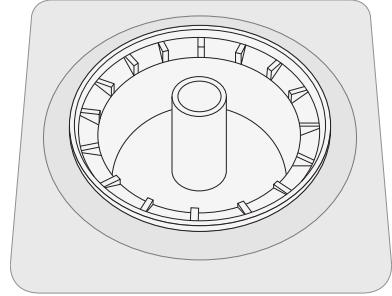


# HAYWARD®

Round Base Pad Installation



Square Base Pad Installation



**Step 2:** Use PVC glue on the inside of the bulkhead assembly and around the center of the water supply pipe. Be careful not to get any glue on the LED light. With two people, carefully lower the bowl and bulkhead assembly over the niche pipe so it rests firmly on the niche flange.

**Step 3:** Screw the water spout assembly into the bulkhead assembly in the center of the bowl as shown above.

## Operation

When operating the Water Bowl, it is recommended to keep the water flow between 15-20 GPM, but the gpm can vary as the ideal water effect is up to the user's personal preference. See chart below for gpm range.

| GPM Range   | Outcome               |
|-------------|-----------------------|
| < 10 gpm    | Not enough water flow |
| 10 - 24 gpm | Acceptable range      |
| 15 - 20 gpm | "Ideal" range         |
| ≥ 25 gpm    | Bowl will overflow    |

## Manual Control

Turn on power to the pump controlling the Water Bowl system as well as the switch for the LED light(s). Adjust the flow control valve(s) until the ideal water effect is achieved in the bowl.

When using a wall switch to control the light, the light must be set to UCL (Universal ColorLogic) mode. This will allow the light to be controlled through power-cycling. The light should already be set to UCL mode from the factory but if the light mode needs to be set, see the procedure on page 12. To activate the light, simply turn on the switch powering the transformer. To deactivate the light, turn off the switch. To advance to the next light program (fixed color or color show), turn the switch off, then back on again within 10 seconds.



# HAYWARD®

When the light has been off for over 60 seconds, and is first turned on, it will come on in white for 15 seconds for quick clear view of your pool, then go to the last fixed color or color show that was running. Note: Do not power cycle the light during the first 15 seconds of white to preclude risk of loss of synchronization with other connected lights.

When in UCL mode, the light has the capability to display 17 different programs; 10 fixed colors and 7 color-changing shows. These programs are advanced using power-cycling – quickly toggling power to the light. The programs are listed below:

- |                          |                        |                       |
|--------------------------|------------------------|-----------------------|
| 1. Show-Voodoo Lounge    | 7. Fixed-Cloud White   | 13. Show-Tranquility  |
| 2. Fixed-Deep Blue Sea   | 8. Fixed-Warm Red      | 14. Show-Gemstone     |
| 3. Fixed-Royal Blue      | 9. Fixed-Flamingo      | 15. Show-USA          |
| 4. Fixed-Afternoon Skies | 10. Fixed-Vivid Violet | 16. Show-Mardi Gras   |
| 5. Fixed-Aqua Green      | 11. Fixed-Sangria      | 17. Show-Cool Cabaret |
| 6. Fixed-Emerald         | 12. Show-Twilight      |                       |

If you have multiple lights running together and they become out of sync, you can resync the lights by following the steps below:

1. Turn lights on.
2. Turn off light for between 11-15 seconds,.
3. Turn lights on.

## Omni Automation Control

When using an Omni controller, the light can be set to Omni Direct mode which allows for direct toggling to the selected show/color as well as 10 additional fixed color options, brightness control, and speed control. Refer to the Configuration section of your Omni controller manual for instructions on configuring a light and configuring a water feature. Note that the light mode can be changed from the configuration menu of the Omni control, but if the mode needs to be changed manually, follow the procedure on the following page.

When configuration is complete, turn on the water feature from the Omni controller. Adjust the flow control valve until the ideal water effect is achieved in the bowl.

To activate the light from the Omni control, simply navigate to the light menu and press the on/off. The light show can also be changed from this menu, schedules can be set, and the brightness and speed of the light can be adjusted.

When the light has been off for over 60 seconds, and is first turned on, it will come on in white for 15 seconds for quick clear view of your pool, then go to the last fixed color or color show that was running. Note: Do not power cycle the light during the first 15 seconds of white to preclude risk of loss of synchronization with other connected lights.



When in Omni Direct mode, the light has the capability to display 17 different programs; 20 fixed colors and 7 color-changing shows. These light programs are listed below:

- |                          |                        |                         |
|--------------------------|------------------------|-------------------------|
| 1. Show-Voodoo Lounge    | 10. Fixed-Vivid Violet | 11. Fixed-Orange        |
| 2. Fixed-Deep Blue Sea   | 11. Fixed-Sangria      | 12. Fixed-Gold          |
| 3. Fixed-Royal Blue      | 12. Show-Twilight      | 13. Fixed-Mint          |
| 4. Fixed-Afternoon Skies | 13. Show-Tranquility   | 14. Fixed-Teal          |
| 5. Fixed-Aqua Green      | 14. Show-Gemstone      | 15. Fixed-Burnt Orange  |
| 6. Fixed-Emerald         | 15. Show-USA           | 16. Fixed-Pure White    |
| 7. Fixed-Cloud White     | 16. Show-Mardi Gras    | 17. Fixed-Crisp White   |
| 8. Fixed-Warm Red        | 17. Show-Cool Cabaret  | 18. Fixed-Warm White    |
| 9. Fixed-Flamingo        | 18. Fixed-Yellow       | 19. Fixed-Bright Yellow |

## Changing Light Modes

Follow the procedure below to manually change the light mode:

1. Turn light on and wait 15 seconds for show/color to launch.
2. Turn off light for between 11-15 seconds, then turn on for 2 seconds.
3. Turn off light for between 11-15 seconds, then turn on for 2 seconds.
4. Turn off light for between 11-15 seconds, then turn on for 2 seconds.
5. The light should now be blinking white and a color corresponding to the current light mode. To change modes, toggle the light off then back on. The light should now be blinking white and a different color. Refer to the chart below for light mode colors.

| Blink Sequence | Light Mode  |
|----------------|-------------|
| White / Green  | CL 4.0      |
| White / Red    | UCL         |
| White / Yellow | Pentair SAM |
| White / Purple | Omni Direct |

6. Once the light is blinking in the sequence corresponding to the desired light mode, turn off light for 1 minute. The light should now be in the desired mode.

## Maintenance

### Winterization

Follow the steps below for winterizing the Water Bowl. Note that in areas where a deep freeze can occur, the bowl should not be allowed to fill with water, as the ice can damage the bowl when it expands. It is recommended to either cover the bowl or fill it with pool anti-freeze.

1. Completely drain water from the water supply line and the bowl.
2. Unscrew the water spout assembly from the center of the bowl and store it someplace safe.



# HAYWARD®

3. Screw in a 1½" threaded plug to the center of the bowl.
4. Cover the bowl or fill it with pool anti-freeze.

## LED Light Replacement

Follow the steps below to replace the LED Light assembly in an existing installation.

1. Remove all power from the LED Light system and disconnect the wires from the LED Light at the junction box/low voltage transformer.
2. Completely drain any water from the bowl.
3. Unscrew the water spout assembly from the center of the bowl, revealing the retaining nut on the bulkhead assembly.
4. Unscrew and remove the retaining nut and gasket from the center of the bowl to release the bowl.
5. With two people, remove the bowl by lifting it straight up and carefully set it aside.
6. Remove the old LED Light assembly from the niche and pull the cord out.
7. Install the new LED Light assembly by following the Electrical Wiring steps starting on page 7.
8. Restore power to the LED Light system and turn the LED Light on to verify operation.
9. Re-install the bowl onto the Niche pipe followed by the gasket, retaining nut, and water spout assembly.

## Bowl Replacement

Follow the steps below to replace the bowl in an existing installation.

1. Turn off water flow to the Water Bowl system and completely drain any water from the bowl.
2. Unscrew the water spout assembly from the center of the bowl, revealing the retaining nut on the bulkhead assembly.
3. Unscrew and remove the retaining nut and gasket from the center of the bowl to release the bowl.
4. With two people, remove the old bowl by lifting it straight up and set it aside.
5. Install the new bowl with the foam gasket onto the niche pipe.
6. Re-install the gasket, retaining nut, and water spout assembly in the center of the new bowl.

## Replacement Parts

| Part No.   | Description                 |
|------------|-----------------------------|
| GLXWBNICHE | Bowl Niche Replacement Kit  |
| GLXWBGSK   | Bowl Gasket Replacement Kit |
| GLXWBBKHD  | Bowl Bulkhead and Nut       |



# HAYWARD®

LIMITED WARRANTY (effective 03/01/12) Hayward warrants its OmniLogic, OmniHub, Pro Logic, OnCommand and E-Command pool automation products as well as its Aqua Rite, Aqua Rite Pro, Aqua Plus and SwimPure chlorination products to be free of defects in materials and workmanship, under normal use and service, for a period of three (3) years. Hayward also warrants its Aqua Trol chlorination products to be free of defects in materials and workmanship, under normal use and service for a period of one (1) year. These warranties are applicable from the initial date of purchase on private residential swimming pools in the US and Canada. Installations of product for use on commercial pools in the US and Canada is covered for a period of one (1) year for defects in materials and workmanship. Hayward warrants all accessories and replacement parts for the above-identified pool automation and chlorination products for a period of one (1) year. Accessories also include remotes, actuators, base stations, temperature sensors, flow switches and chemistry probes. Each of these warranties is not transferable and applies only to the original owner.

Hayward shall not be responsible for cartage, removal, repair or installation labor or any other such costs incurred in obtaining warranty replacements or repair.

Proof of purchase is required for warranty service. If written proof of purchase is not provided, the manufacturing date code will be the sole determinant of the date of installation of the product. To obtain warranty service or repair, please contact the place of purchase or the nearest Hayward authorized warranty service center. For more information on authorized service centers please contact the Hayward Technical Service Support Center (61 Whitecap Road, North Kingstown RI, 02852) or visit the Hayward web site at [www.hayward.com](http://www.hayward.com).

#### WARRANTY EXCLUSIONS:

1. Material supplied or workmanship performed by others in process of installation.
2. Damage resulting from improper installation including installation on pools larger than the product rating.
3. Problems resulting from failure to install, operate or maintain the product(s) in accordance with the recommendations contained in the owners manual(s).
4. Problems resulting from failure to maintain pool water chemistry in accordance with the recommendations in the owners manual(s).
5. Problems resulting from tampering, accident, abuse, negligence, unauthorized repairs or alterations, fire, flood, lightning, freezing, external water, degradation of natural stone used in or immediately adjacent to a pool or spa, war or acts of God.
6. Use of a non-genuine Hayward replacement salt chlorination cell on any Hayward automation or chlorination product will void the warranty for that product.

The express limited warranty above constitutes the entire warranty of Hayward Pool Products with respect to its products and is in lieu of all other warranties expressed or implied, including warranties of merchantability or fitness for a particular purpose. In no event shall Hayward Pool products be responsible for any consequential, special or incidental damages of any nature. Some states do not allow a limitation on how long an implied warranty lasts, or the exclusion of incidental or consequential damages, so the above limitation may not apply to you. This warranty gives you specific legal rights, and you may also have other rights, which vary from state to state.

For further information or consumer  
technical support, visit our website at  
[www.hayward.com](http://www.hayward.com)



Hayward is a registered trademark  
of Hayward Industries, Inc. © 2022 Hayward Industries, Inc.

All other trademarks not owned by Hayward are the property of their respective owners.  
Hayward is not in any way affiliated with or endorsed by those third parties.

USE ONLY HAYWARD GENUINE REPLACEMENT PARTS