



JANDY VERSATEMP™ HEAT/CHILL PUMP

Advanced heat pump technology
heats high-use pools more
efficiently and with reduced noise

The Jandy VersaTemp Heat/Chill pump with SoundShield™ Technology provides advanced energy-efficiency for eco-friendly heating and cooling of high-use pools with significantly less operational noise.



Features

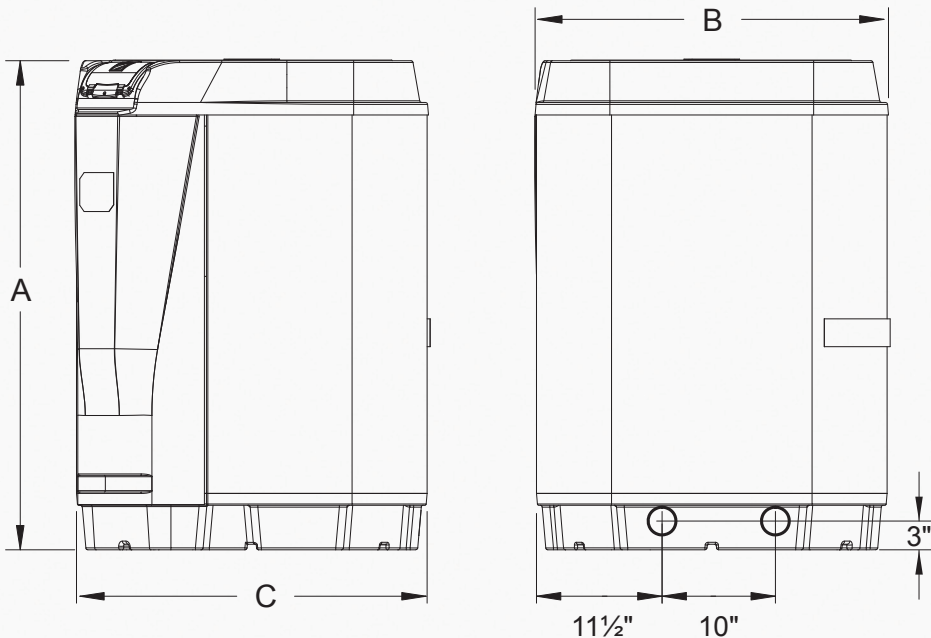
- New 3-Phase model available
- 130,000 BTUs Output
- Scroll Compressor
- Titanium Heat Exchanger
- SoundShield™ Technology enables significant noise reduction
- Heat reversing technology activates when ice formation is detected and automatically redirects heat to melt the ice
- Self-diagnostic notifications and multilingual capability
- LCD controller, compatible with AquaLink® automation system
- Auto-Heat function maintains the pool's temperature automatically when used with an AquaLink® automation system



SPECIFICATIONS

	JRT2000R	JRT2500R	JRT3000R	JRT3000R3
Output (BTU) (80/80/80)	103,000	116,000	130,000	130,000
Input (kWH) (80/80/80)	4.72	5.23	6.57	6.20
COP (80/80/80)	6.4	6.5	5.8	6.1
Output (BTU) (80/63/80)	96,000	109,000	124,000	124,000
COP (80/63/80)	6.1	6.1	5.6	5.9
Output (BTU) (50/63/80)	62,000	70,000	82,000	85,000
COP (50/63/80)	4.1	4.1	4.0	4.4
Voltage	208/230V/60Hz	208/230V/60Hz	208/230V/60Hz	208/230V/60Hz-3ph
Minimum Circuit Ampacity	38	39	40	40
Max Over Current Protection	40	50	50	50
LRA	178	145	148	179
RLA	28.3	29	32.5	33
Compressor	Scroll			
Heat Exchanger	Titanium			
Optimal Water Flow (GPM)	42	48	57	57
Minimum Water Flow (GPM)	20	20	30	30
Maximum Water Flow (GPM)	70			
Weight	232	242	252	300

DIMENSIONS



Model	Dimensions		
	A	B	C
JRT2000R	42"	32"	32"
JRT2500R	42"	32"	32"
JRT3000R / JRT3000R3	45"	32"	32"

A Fluidra Brand | Jandy.com | 1.800.822.7933

©2023 Zodiac Pool Systems LLC. All rights reserved. ZODIAC® is a registered trademark of Zodiac International, S.A.S.U., used under license. All other trademarks are the property of their respective owners. 00982_SL

