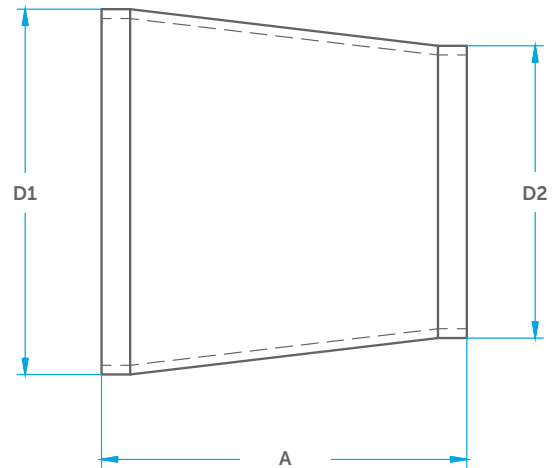


Overview

- Fits the AS:1528.3 standard
- Short reducer – height equal to widest diameter



CONCENTRIC SHORT REDUCER (AS:1528.3)



Product Code	WT	D1	D2	Dim A	Weight Per Unit	Standard Pack size
	mm	mm	mm	mm	kg	
100566CS	1.6	25.4	12.5	25.4	0.02	5
100766CS	1.6	25.4	19.1	25.4	0.02	5
151066CS	1.6	38.1	25.4	38.1	0.05	5
151266CS	1.6	38.1	31.8	38.1	0.05	5
201066CS	1.6	50.8	25.4	50.8	0.08	5
201266CS	1.6	50.8	31.8	50.8	0.18	5
201566CS	1.6	50.8	38.1	50.8	0.08	5
251066CS	1.6	63.5	25.4	63.5	0.13	5
251266CS	1.6	63.5	31.8	63.5	0.13	5
251566CS	1.6	63.5	38.1	63.5	0.13	5
252066CS	1.6	63.5	50.8	63.5	0.13	5
301066CS	1.6	76.2	25.4	76.2	0.15	5
301566CS	1.6	76.2	38.1	76.2	0.19	5
302066CS	1.6	76.2	50.8	76.2	0.18	5
302566CS	1.6	76.2	63.5	76.2	0.19	5
401566CS	1.6	101.6	38.1	101.6	0.30	5
402066CS	1.6	101.6	50.8	101.6	0.33	5
402566CS	1.6	101.6	63.5	101.6	0.32	5
403066CS	1.6	101.6	76.2	101.6	0.33	5
503066CS	1.6	127.0	76.2	127.0	0.55	2
504066CS	1.6	127.0	101.6	127.0	0.59	2
602066CS	1.6	152.4	50.8	152.4	0.66	2
603066CS	1.6	152.4	76.2	152.4	0.79	2
604066CS	1.6	152.4	101.6	152.4	0.98	2

TOLERANCES

Dim A $\pm 1.25\text{mm}$