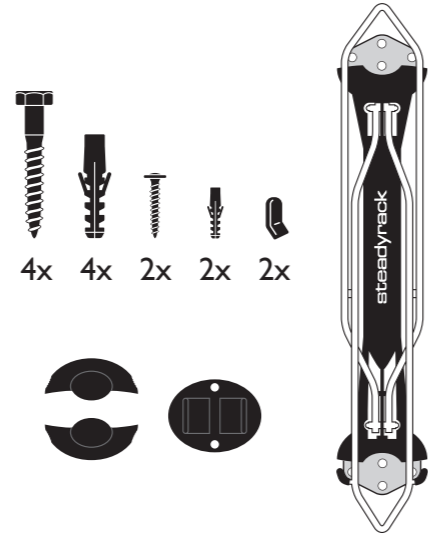


INCLUDED

- 1 x Steadyrack
- 2 x End Caps
- 1 x Rear Tyre Rest
- 4 x Hex Bolts – for rack
- 4 x Masonry* Wall Plugs – for rack
- 2 x Screws – for Rear Tyre Rest
- 2 x Masonry* Wall Plugs – for Rear Tyre Rest
- 2 x Spare Rubber Tips

*Masonry use only



Fixings are for either Masonry (brick/concrete) or timber. If you're installing into a different type of wall structure, speak to your local hardware store for the correct fixings. Racks can be mounted to any vertical surface capable of supporting the rack + bike weight.



WARNING

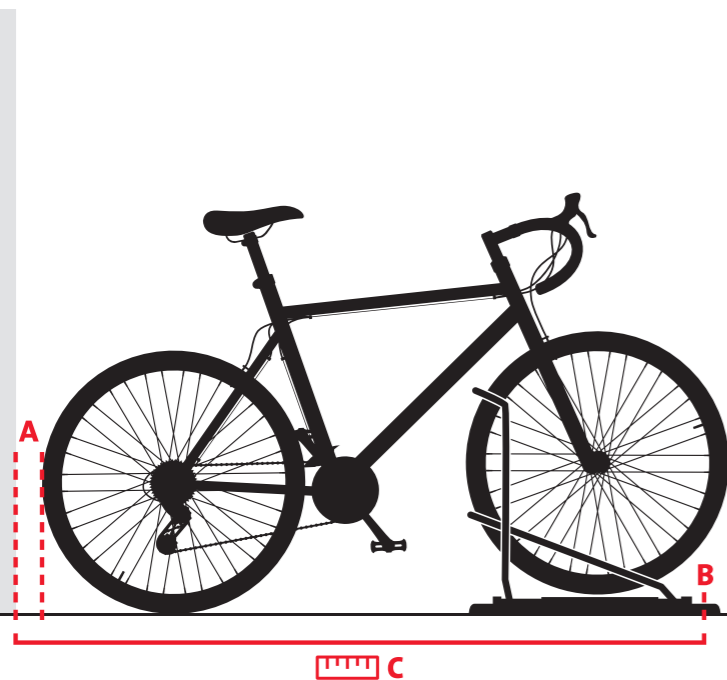
We do not recommend installing your Steadyrack into gyprock, plasterboard or drywall. Doing so will void your Steadyrack warranty. The provided wall plugs are for masonry use only.

NEEDED



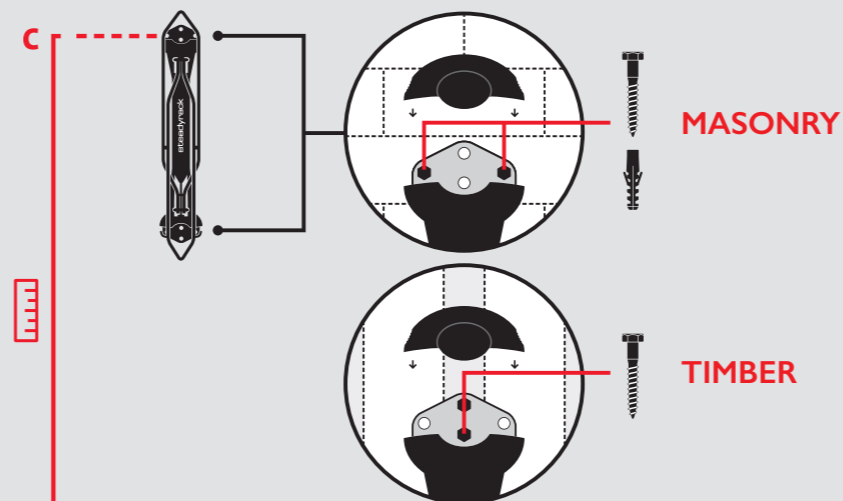
1. MEASURE MOUNTING HEIGHT

- Place the rack on the floor.
- Make sure your bike fits in the rack before drilling. If you have any concerns, get in touch with our Customer Support team.
- Place the bike in the rack, leaving a gap (around 50 – 75mm) between the back tyre and wall (A).
- The gap is the distance from the ground when the bike is in the rack.
- Pencil a mark on the floor in the top mounting hole (B).
 - 2 x vertical holes for timber install.
 - 2 x horizontal for masonry install.
- Measure the distance from the wall to the mark on floor (C).



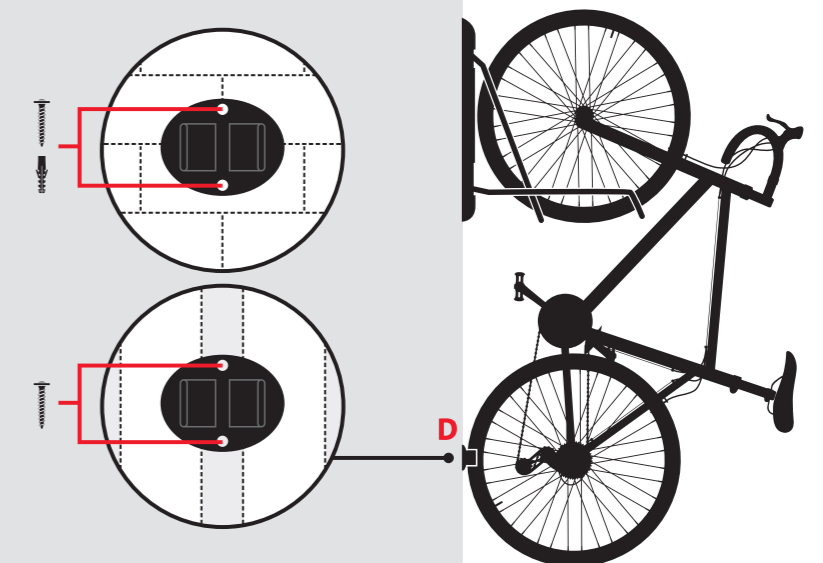
2. MOUNT RACK (WALL OR FRAME)

- Transfer the measurement to the wall (C). Drill the hole using the 10mm bit.
- Line up the rack and loosely install the single bolt.
- Place the spirit level against the plastic body – ensure it's level.
- Hold the rack in place and pencil mark the remaining holes.
- Remove the rack. Drill the remaining holes.
- If it's masonry, insert the supplied masonry wall plugs.
- Line the rack up over the holes. Insert 4 x hex bolts and firmly affix the rack. Click the End Caps in place.



3. INSTALL REAR TYRE REST

- Hang the bike in the rack.
- Line the Rear Tyre Rest up with the rear axle (D).
- Pencil mark the top mounting hole.
- Remove the rest and bike.
- Place the spirit level in centre - ensure the rack and rest are aligned.
- Drill a hole using the 8mm bit on the pencil mark.
- Line up the rest – mark the second hole.
- Drill the second hole and, if installing in masonry, insert the wall plugs.
- Place the rest and affix with the screws.



4. ROLL BIKE ON. DONE. EASY.



LET'S
KEEP
THIS
EASY...

INSTRUCTIONS

MAINTAINING YOUR STEADYRACK

- HI अनुवादित नदिदेशों के लरि, "Steadyrack इमॉलेशन नदिदेश" खोजें.
- KO 번역된 설명은, "스테디랙 설치 안내"를 검색하세요.
- JA 手順の翻訳版は、「ステディラック取り付け手順」を検索してください。
- ES Si desea consultar las instrucciones traducidas, busque «Instrucciones de instalación de Steadyrack».
- PT Para consultar as instruções traduzidas, pesquise "Instruções de Instalação Steadyrack".
- DA Til oversatte instruktioner, søg "Steadyrack Installationsvejledning".
- NO For oversatte instruksjoner, søk på "Steadyrack installeringsinstruksjoner".
- RU Перевод инструкции находится в разделе «Инструкции по установке стеллажей».
- DE Für eine Übersetzung der Anleitung suchen Sie bitte nach "Steadyrack Installationsanleitung".
- FR Pour consulter la traduction de ces instructions, recherchez « Instructions d'installation du Steadyrack ».
- NL Zoek op 'Steadyrack Installatiehandleiding' voor vertaalde instructies.
- IT Per consultare la traduzione delle istruzioni, cerca "Istruzioni Installazione Steadyrack".

To ensure your Steadyrack Bike Rack operates perfectly we recommend you perform the following basic maintenance and checks:

Check and adjust tension on the nuts on Central Pivot Bar
The nuts that attach the central pivot bar to the top and bottom mounting brackets are pre-tensioned in the factory to a torque setting of 5Nm. This is to ensure there is enough resistance when you push your bike into the rack to stop the arms swinging out of the way.

Remove the two clip-in End Caps which cover the mounting brackets using a 13mm socket wrench or a suitable spanner. Adjust the nuts connecting the central spine to the top and bottom mounting brackets to the desired tension. Be sure to not overtighten or the rack won't pivot. Replace your End Caps and you are good to go.

Check the nuts attaching the top and bottom arms to the Central Pivot Bar
The 2 arms are connected to the central pivot bar by tamper-proof bolts with dome nuts and black tips either side. Tamper-proof bolts have been used to provide added security against potential theft of your bike. These can work loose over time. Check them periodically and tighten using a Pin Torx 6 Lobe bit, which can be purchased from your local hardware store.

Check your mounting bolts from time to time to make sure they have not worked loose and tighten if necessary.

Cleaning
Wipe the rack down with lukewarm soapy water using a soft sponge or microfibre cloth. Then wipe down with a clean, soft cloth to remove the cleaning solution and dry thoroughly. For more stubborn marks, mix one part vinegar with one part water and follow the above processes.

Materials
Mild Steel Zinc or Chrome plated and ABS, PP, TPE and Nylon plastics.

WARRANTY

The boring but necessary legal stuff.

Steadyrack warrants that the Steadyrack Bike Rack is free from defects in workmanship and materials for a period of 12 months from the date of retail purchase. Any claim for breach of this warranty must be made on the following conditions:

- a. the defects have arisen solely from faulty materials or workmanship;
- b. the Steadyrack Bike Rack must not have been changed nor tampered with in any way;
- c. failure of the Steadyrack Bike Rack must not be due to misuse, improper installation or other maltreatment, interference or abuse including, but not limited to, use in a manner contrary to our specifications or instructions;
- d. the Steadyrack Bike Rack must be returned to the supplier;
- e. Steadyrack will not be responsible for damage or loss caused during or as a result of shipping;
- f. Steadyrack warranty is voided if racks are used to transport bicycles.

Subject to the above conditions of warranty, if the Steadyrack Bike Rack fails for any reason within the warranty period and the Steadyrack Bike Rack is returned to us, Steadyrack will at its discretion repair or replace, or cause to be repaired or replaced, the Steadyrack free of charge at its expense.

Except as expressly provided herein all express and implied warranties, guarantees and conditions under statute or general law as to merchantability, description, quality, suitability or fitness of the Steadyrack Bike Rack for any purpose or as to design, assembly, installation, materials or workmanship or otherwise are, to the extent permitted by law, hereby expressly excluded and Steadyrack shall not be liable for physical or financial injury loss or damage or for consequential loss or damage of any kind arising out of the supply, assembly, installation or use of the Steadyrack Bike Rack or arising in any other way whatsoever. Still awake? Right, now that's out of the way, let's install that Steadyrack!

TURN OVER FOR
FULL INSTRUCTIONS



SCAN THE
QR CODE TO
WATCH THE
INSTALLATION
VIDEO ONLINE



steadyrack
STORE EASY

FOR MORE
INSTALLATION ADVICE VISIT
STEADYRACK.COM/INSTALLATION