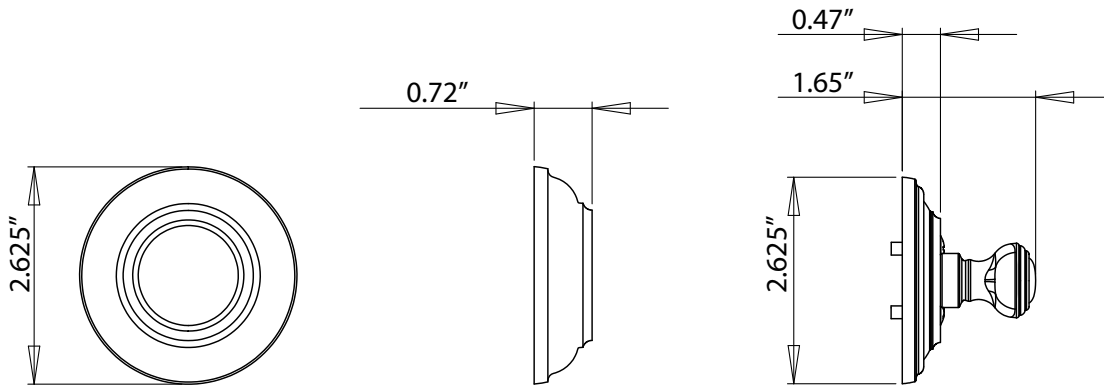


TECHNICAL SPECIFICATIONS

Loch Deadbolt



> Design code: LOC

> Material: Cast iron, zinc plated and powder coated

Function: Single Cylinder, Double Cylinder



Loch Deadbolt