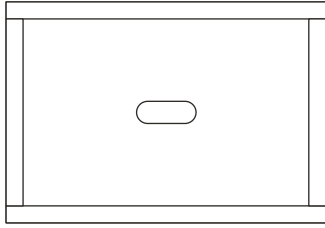


WHAT COMES WITH THE KIT

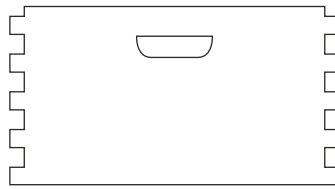


Langstroth Hive Product Manual
SKU: NB10-1DIM

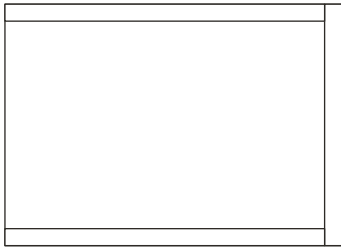
A (1) - Inner Cover



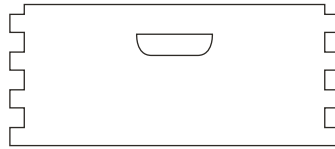
D (2) - Brood Side



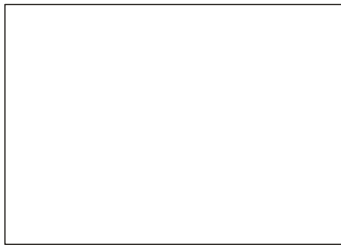
B (1) - Bottom Board



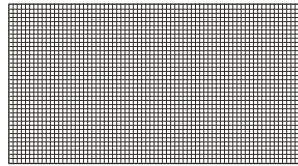
E (2) - Super Side



C (1) - Telescoping Outer Cover



F (10) - Brood Foundation



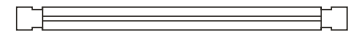
K (20) - Super Frame Side



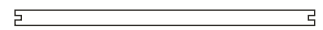
L (20) - Brood Frame Side



M (20) - Frame Top



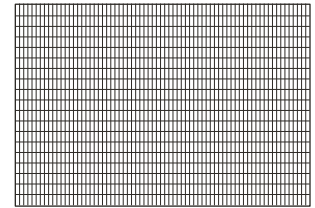
N (20) - Frame Bottom



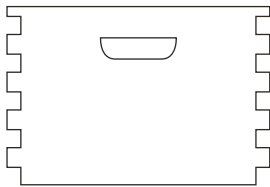
P Nails



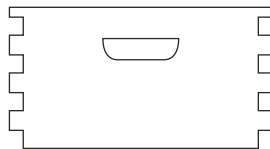
Q (1) - Queen Excluder



H (2) - Brood Front



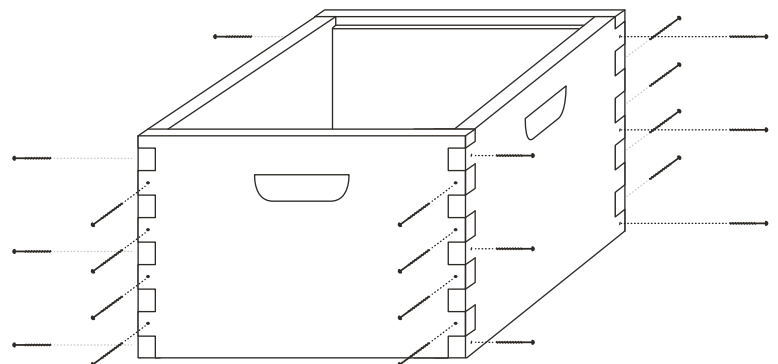
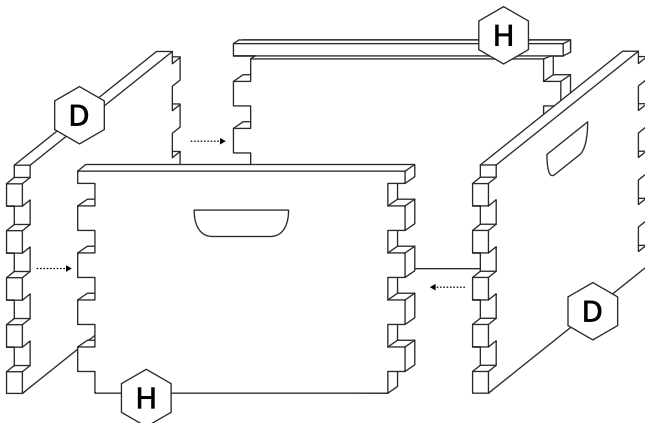
J (2) - Super Front



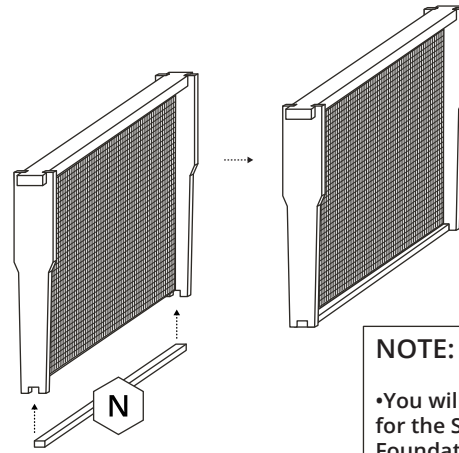
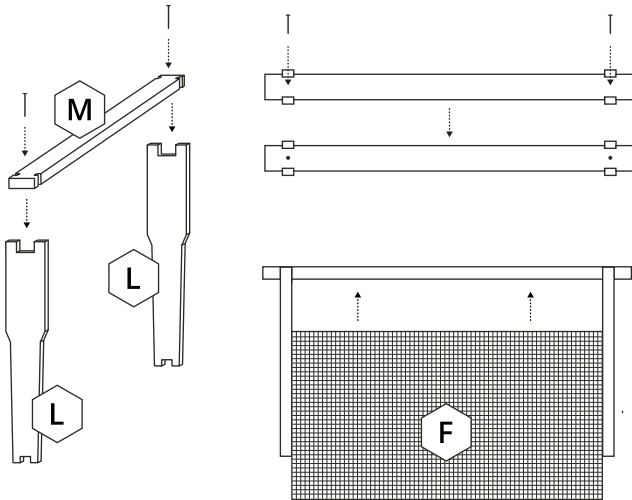
NOTE:

- For maximum support, use waterproof non-toxic wood glue in addition to nails to hold in place.
- You will repeat instructions for the Super boxes as well. Replacing part E for D & J for H.
- When aligning the Fronts (H&J) make sure the top lip is facing in toward the inside of the box.

STEP 1 - BOX ASSEMBLY



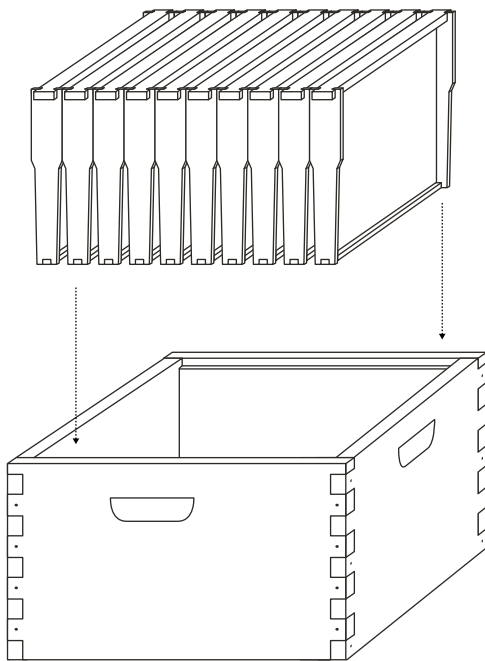
STEP 2 - FRAME ASSEMBLY



NOTE:

•You will repeat instructions for the Super Frames and Foundations as well. Replacing part L for K and F for G.

STEP 3 - FINAL ASSEMBLY



Outer Cover (C)

Inner Cover (A)

Super Box with frames & foundations

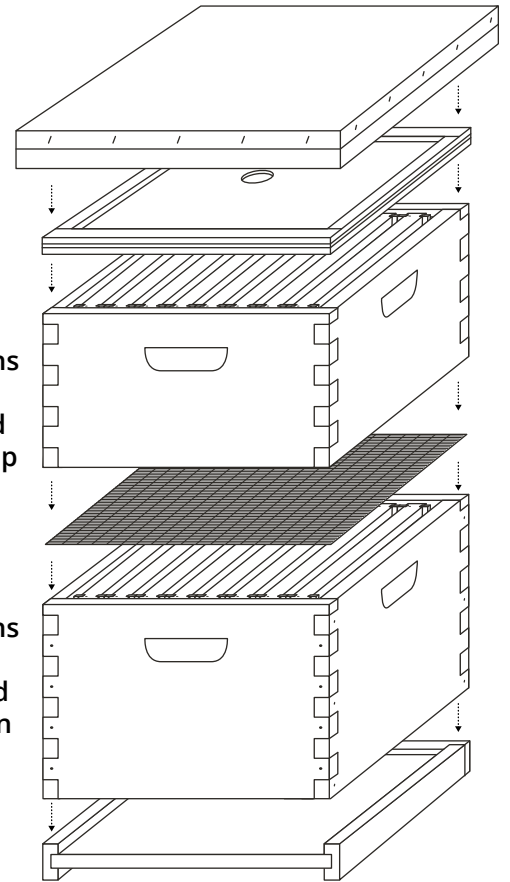
*Super boxes should be stacked on the top

Queen Excluder (Q)

Brood Box with frames & foundations

*Brood boxes should always be stacked on the bottom

Bottom Board (B)



PACKING CHECKLIST

- | | | |
|---|---|--|
| <input type="checkbox"/> (1) - Inner Cover | <input type="checkbox"/> (2) - Brood Front | <input type="checkbox"/> (20) - Brood Frame Side |
| <input type="checkbox"/> (1) - Bottom Board | <input type="checkbox"/> (2) - Super Front | <input type="checkbox"/> (20) - Super Frame Side |
| <input type="checkbox"/> (1) - Outer Cover | <input type="checkbox"/> (1) - Queen Excluder | <input type="checkbox"/> (20) - Top Frame |
| <input type="checkbox"/> (2) - Brood Side | <input type="checkbox"/> (10) - Brood Foundations | <input type="checkbox"/> (20) - Bottom Frame |
| <input type="checkbox"/> (2) - Super Side | <input type="checkbox"/> (10) - Super Foundations | |