

EXTERNALLY SILICONE SEAL THE WALL PROFILES WHERE THEY MEET THE WALL AND THE ALONG THE BOTTOM PROFILE AND GLASS SIDE PANEL WHERE IT MEETS THE TRAY. ALL IN A CONTINUOUS BEAD.

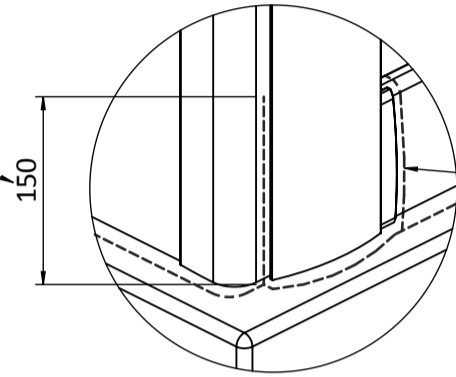
ALSO SILICONE SEAL THE PLASTIC MOULDINGS AND 150mm HIGH AS SHOWN IN DETAILED VIEWS BELOW.

ALLOW THE SILICONE ATLEAST 24 HOURS TO FULLY CURE.

AFTERCARE: ENSURE YOU CLEAN YOUR PRODUCT USING A MILD DETERGENT DILUTED IN WATER, REMOVING ANY RESIDUE WITH A SOFT DAMP CLOTH.

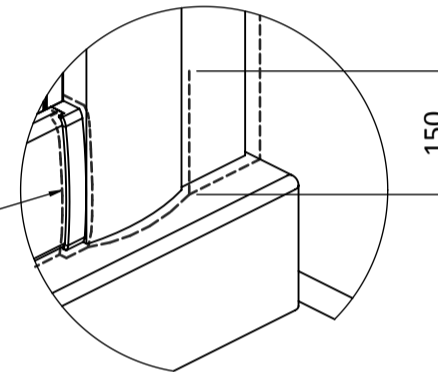
MAINTENANCE: ENSURE MOVING PARTS ARE FREE FROM ANY DEBRIS OR SOAP BUILD UP.

WHERE THE FRAME VERTICAL PROFILE MEETS THE CORNER PROFILE.



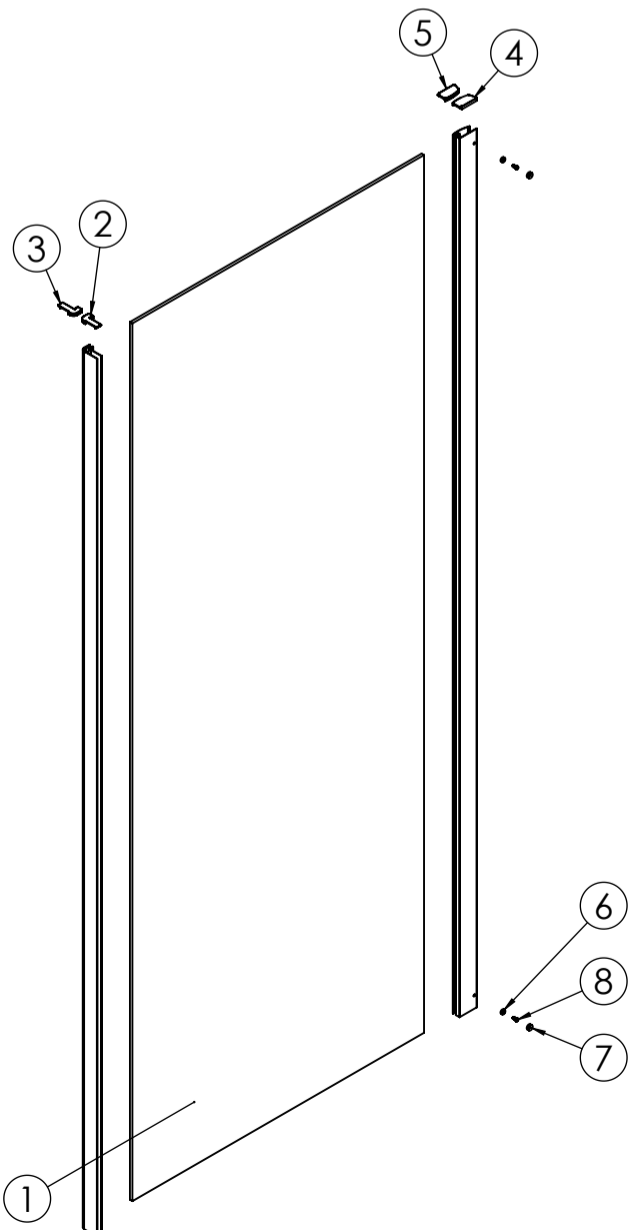
SILICONE THE PLASTIC MOULDING WITH AS SMALL A BEAD AS POSSIBLE.

SILICONE THE PLASTIC MOULDING WITH AS SMALL A BEAD AS POSSIBLE.



WHERE THE FRAME VERTICAL PROFILE MEETS THE WALL PROFILE.

SIDE PANEL INSTRUCTION



UNPACK THE BOX AND ENSURE ALL COMPONENTS ARE PRESENT.

NO REFUNDS OR REFITTING COST WILL BE GIVEN IF INCOMPLETE OR DAMAGED GOODS ARE FITTED.

THE TOUGHENED SAFETY GLASS SHOULD BE HANDLED WITH CARE AS IMPACTS WILL DAMAGE THE GLASS OR ENCLOSURE.

FIT THE SHOWER TRAY AS PER THE MANUFACTURER'S INSTRUCTIONS.

NOTE: IF THE TRAY ISN'T TRUE AND LEVEL, IT MUST BE RECTIFIED BEFORE SILICONING AROUND THE TOP EDGE OF THE TRAY WHERE IT MEETS THE TILES. ALLOW THE SILICONE TO DRY BEFORE FITTING THE ENCLOSURE.

THE ENCLOSURE INSTALLATION IS RECOMMENDED AS A TWO PERSON OPERATION.

TOOLS REQUIRED:

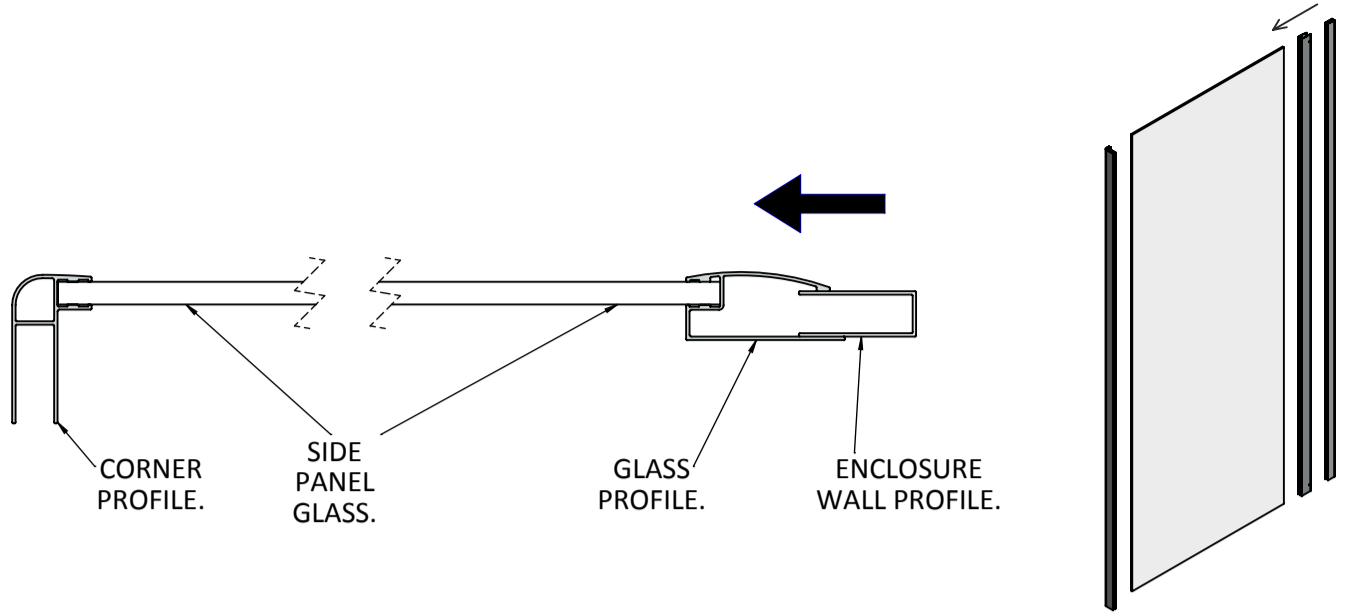
POWER DRILL - 3mm DRILL BIT - 6mm MASONRY DRILL BIT - CROSS HEAD SCREW DRIVER - TAPE MEASURE - PENCIL - SILICONE GUN WITH SANITARY GRADE SEALANT - SPIRIT LEVEL.

ITEM NO.	DESCRIPTION	Notes	QTY
1	SIDE PANEL ASSEMBLY		1
2	CORNER POST CAP LH	CHROME PLATED ABS	1
3	CORNER POST CAP RH	CHROME PLATED ABS	1
4	GLASS PROFILE CAP LH	CHROME PLATED ABS	1
5	GLASS PROFILE CAP RH	CHROME PLATED ABS	1
6	SCREW CUP		2
7	SCREW CUP COVER		2
8	3.9 x 10mm PAN HD SELF TAPPER ST.STL (SMALL HEAD)		2

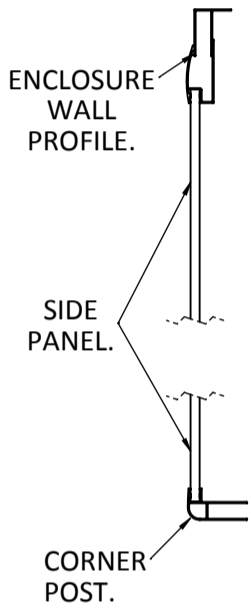
1

DETERMINE THE SIDE YOU WISH TO FIT THE SIDE PANEL AND ROTATE TO SUIT.

USE THE WALL PROFILE FROM ENCLOSURE AND PARTIALLY INSERT INTO THE GLASS PROFILE.

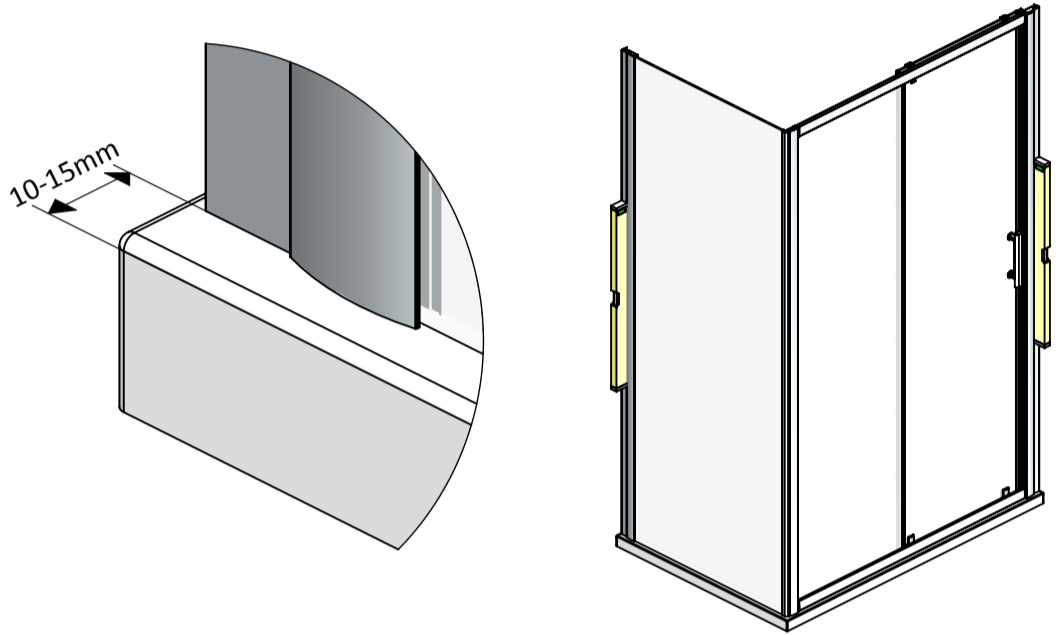
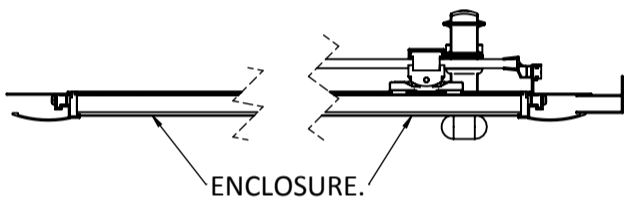


2

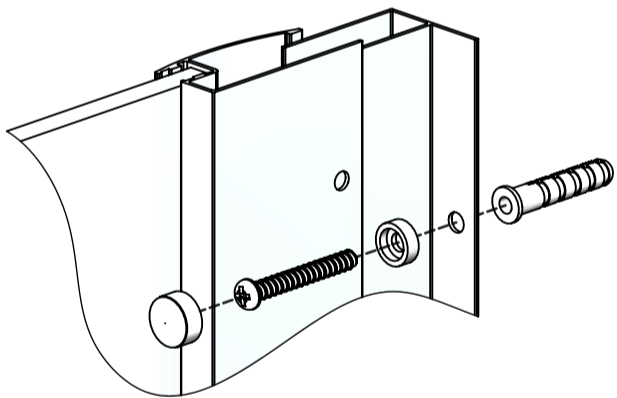


OFFER THE FRAME ONTO THE TRAY FIRST. ENSURING THE WALL PROFILE WILL REACH THE WALL USING 10-15mm AS A GUIDE.

ENSURE SQUARE AND TRUE WITH A SPIRIT LEVEL. AND ENSURE THERES AN EVEN AMOUNT OF GLASS PROFILE IN THE WALL PROFILE.



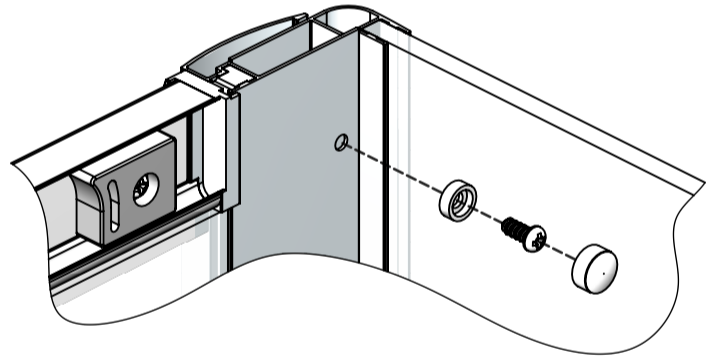
3



ONCE SIDE PANEL IS SQUARE AND TRUE, MARK THE POSITION OF THE SIDE PANEL'S WALL PROFILE ON THE WALL THROUGH THE WALL PROFILE FIXING HOLES USING A PENCIL.

DRILL AND PLUG THE WALL USING THE WALL PROFILE FIXINGS FROM THE ENCLOSURE.

4



ENSURE ALL IS TRUE AND SQUARE WITH A SPIRIT LEVEL BEFORE FIXING.

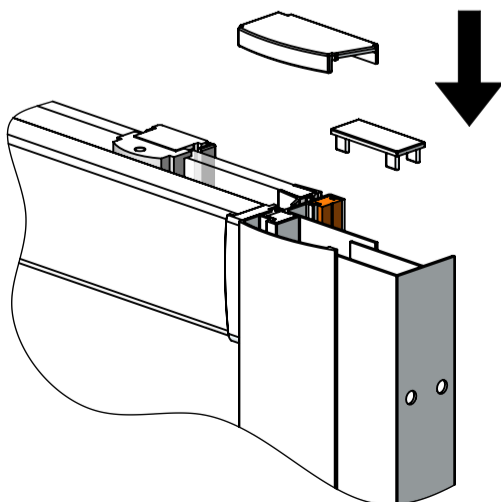
WHEN THE SIDE PANEL IS READY TO BE FIXED, DRILL THROUGH THE HOLES IN THE ENCLOSURE'S GLASS PROFILE AND SIDE PANEL'S GLASS PROFILE WITH A 3mm DRILL BIT.

MAKE SURE YOU ONLY DRILL THROUGH ONE WALL THICKNESS.

FIX IN PLACE USING ITEMS 6, 7 & 8.

DON'T OVER TIGHTEN SCREWS.

5



NOW FIT THE ENCLOSURE'S CAPS (SHOWN LEFT), THE CORNER PROFILE AND SIDE PANEL CAPS (SHOWN RIGHT).

CHOOSE APPROPRIATE CAPS FOR THE SIDE YOU HAVE FITTED THE SIDE PANEL TOO.

