



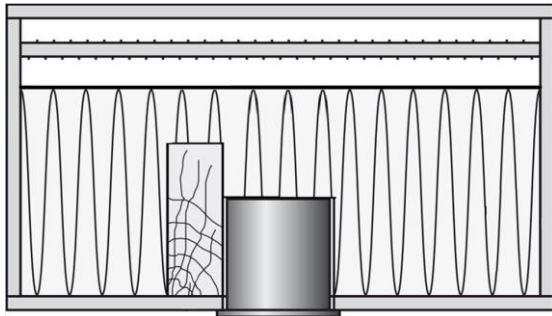
85MM ODLED DOWNLIGHT
(Dimmable)
3 COLOUR TEMPERATURE



85MM ODLED DOWNLIGHT
(Dimmable)
3 COLOUR TEMPERATURE



BUILDING ELEMENT CLEARANCES FOR RECESSED LUMINAIRES



- ** Minimum insulation clearance (**MIC**) – from insulation to building element above
- ** Side clearance to building element (**SCB**) = 0mm
- ** Height clearance to building element (**HCB**) = 0mm from top of luminaire to building element above

CAUTION:

Recessed luminaires and their auxiliary equipment may pose a risk of fire or damage to property if not installed and maintained correctly.

SAFETY NOTICE

If you have any doubts about your ability to conduct the wiring work safely or about the method of installing light fittings, please employ a licensed electrical worker to carry out the installation for you. Failure to wire correctly may result in electric shock injury or a fatality to yourself or a member of your family.

WARRANTY. 1 Year on Driver. 3 Years on Fitting .

The Warranty for this fitting is from the date of purchase and against defects in the material and /or workmanship.
 This warranty is subject to the product being installed, wired, operated and used in accordance with the instructions and specifications.
 Any alterations or modifications made to the product without permission will void the warranty
 Particulars of any potential fault / defect must be notified within 28 days of any fault / defect being detected
 Orbit will at its discretion repair, replace or refund any product found to be defective.
 The cost of the replacement or repair is limited to the price of the product only.
 Orbit will not be responsible for the cost of retrieving , removing, and reinstalling the product.

INSTALLATION:

CAUTION:

ISOLATE (TURN OFF) MAINS SUPPLY BEFORE CONNECTING THE DOWNLIGHT.

1. Cut a hole 75-85mm in diameter into the ceiling (It is prohibited to cut or Notch Joists, Beams, rafters and Ceiling Battens).
2. Open the terminal cover on the remote terminal to expose the quick connect terminal block (FIG 1). Use a small flat head screw driver to do this.
3. The remote terminal is screw less – the terminals can be opened by pressing down on them with your finger.
4. Connect the power cable from the mains (3x), into the 220V-240V input terminals (N, Neutral, Blue), (L, Live, Brown), (E, Earth, Green). Ensure that any connection made complies with New Zealand Electrical Wiring rules AS/NZS 3000. Connections should be secure.
5. Close the terminal cover and ensure it is firmly seated over the power input cable. The cover should clamp the supply cable to hold it securely in place, be careful not to over-tighten and damage the supply cable.
6. Lift up springs, hold back and insert luminaire.
7. Ensure that any existing insulation material is in accordance with the specifications above.



Remote Terminal

Mains connection can be made away from the downlight body.

FIG 1:

3 COLOUR TEMPERATURE (fig3)

This Downlight is fitted with colour changing switch. Select the desired colour temperature by moving the switch so the marker aligns with the required colour temperature.

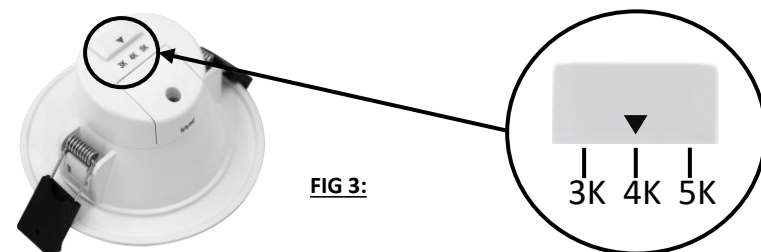
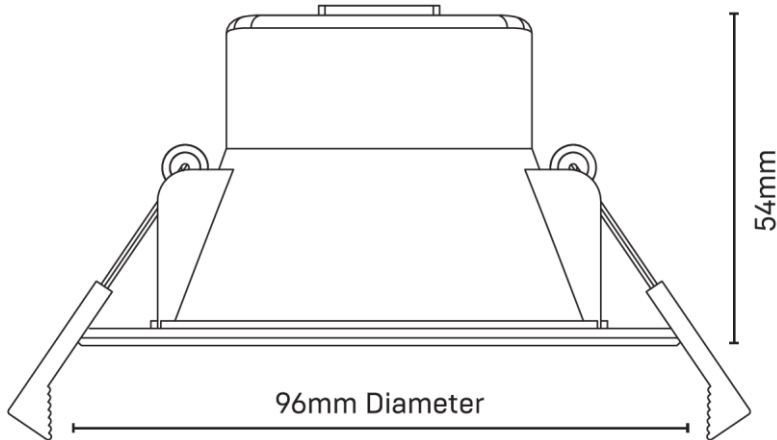


FIG 3:



CCT Switch

Choose between option 3K/4K/5K colour temperatures with the flick of a switch.



Remote Terminal

Mains connection can be made away from the downlight body.

BEFORE STARTING PLEASE NOTE THE FOLLOWING:

- *This product is intended to be fully covered by insulation material.*
- *Insulation material as noted below can abut and cover this luminaire.*
- *This product is suitable for use with building insulation that can safely be continually exposed to temperatures up to 90°C and must withstand a 30 s needle flame test carried out in accordance with AS/NZS 60695.11.5 with the flame applied to all surfaces of the sample. Glass fibre insulation is a suitable insulation for use abutting and covering this luminaire.*
- *Loose fill insulation as defined in NZS 4246 is not permitted to abut or cover this luminaire.*
- *This product is intended for indoor and outdoor (covered) use.*

LUMINAIRE SPECIFICATION:

Model..... OD6W85D-3T
 Rating.....IC-F
 Wattage..... 6W
 IP Rating.....IP44
 Input Voltage.....220 ~ 240 Volts 50Hz
 Installation Hole Diameter.....75-85mm
 (refer fascia size for maximum coverage for retrofit installations)

3 COLOUR TEMPERATURE

This Downlight is fitted with a colour changing switch. Select the desired colour temperature by moving the switch so the marker aligns with the required colour temperature
Colour temperatures available are 3000k, 4000k and 5000k

DIMMING:

This LED down light can be used in conjunction with Universal, Trailing and Leading edge Dimmers. It is the installers responsibility to ensure that the dimmer selected is compatible with the characteristics of this downlight.

We recommend the following Brands and models:

- PDL - 654MWH
- Clipsal - 32E450TM, 32E450LM, 32E450UDM
- HPM – EM400TR, CAT 400L, CAT EM400ASP