

Whether you're at work or at home, we know how it feels like to be sitting on an uncomfortable seat for hours.

We would like to thank you for choosing Alterseat.

You are the reason why we are on our toes to continuously deliver quality products to you and your loved ones.

We are thankful for your trust and support.



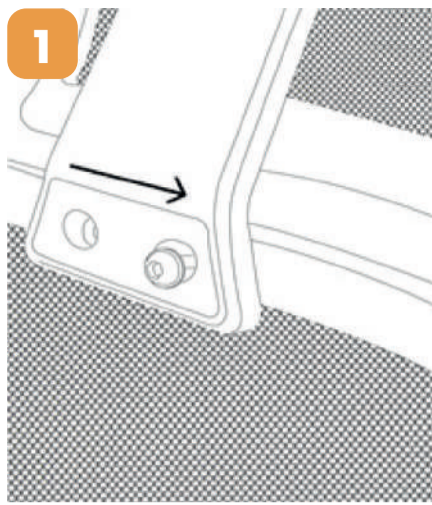
Benedick Chen
CEO & Founder of Alterseat, Singapore & Malaysia

Need help?

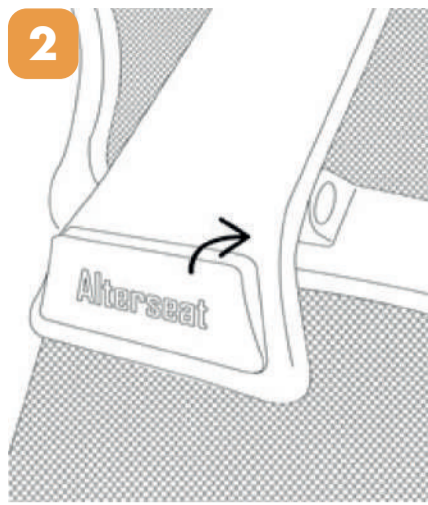
View more detailed instruction by scanning the QR code behind or visiting <https://www.alterseat.com/blogs/blog/assembly-guide>

Assembly completed? Snap a photo of yourself in your Alterseat chair and share it on social media! We'll extend your warranty for a total of 3 years.

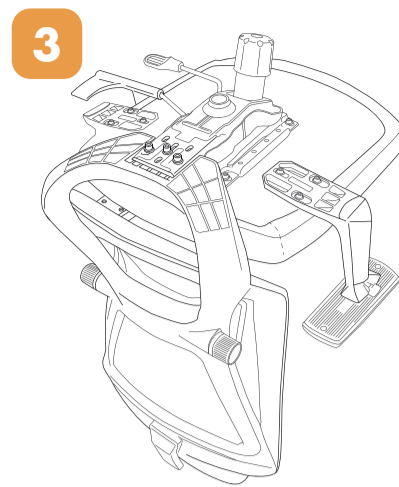
INSTRUCTION MANUAL AND TUTORIAL



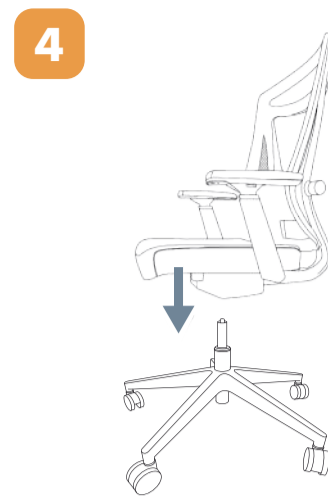
1 A. Using the **Allen Key** provided, remove the 2 screws (loosely attached) to the headrest area of the top piece.



2 C. Gently insert the **Alterseat Acrylic Tag**, starting from the bottom of the tag. You will hear a **'Click'** sound when it is tightly locked.



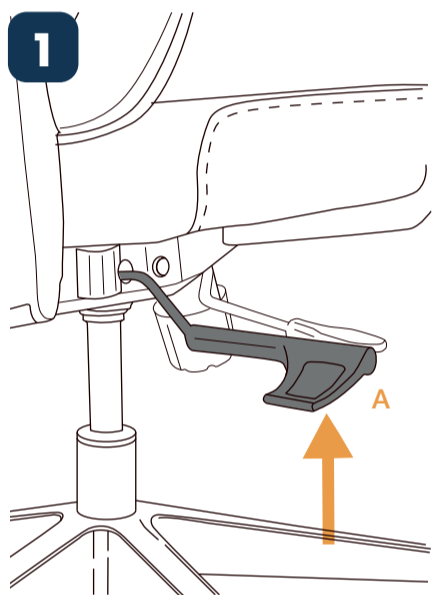
3 D. At the base of the back piece, **remove all 3 screws** that are loosely attached with the larger **Allen Key** provided.



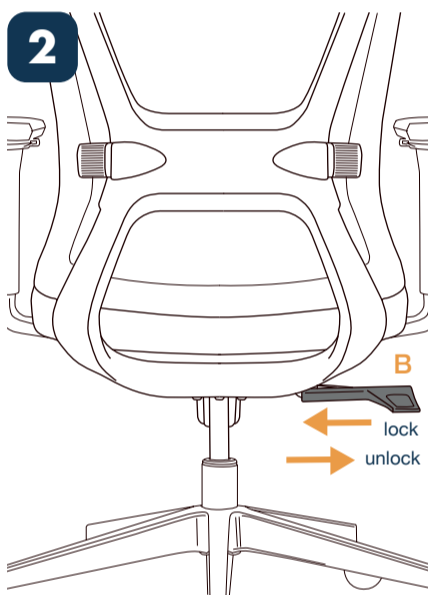
4 F. Attach the **Gaslift** with the legs and chair together. **Note: No 'Click' sound will be heard.**

B. Align the headrest according to the 2 **pilot holes** and tighten the screws with the same **Allen Key** provided.

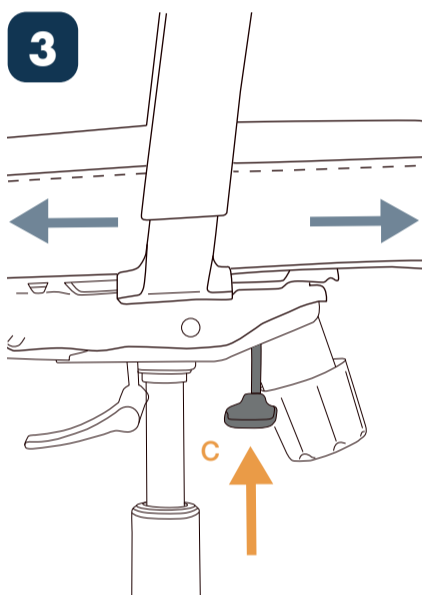
E. Align the back piece to the seat piece. **Reattach the 3 screws** in the same triangle shape. Tighten with **Allen Key** provided.



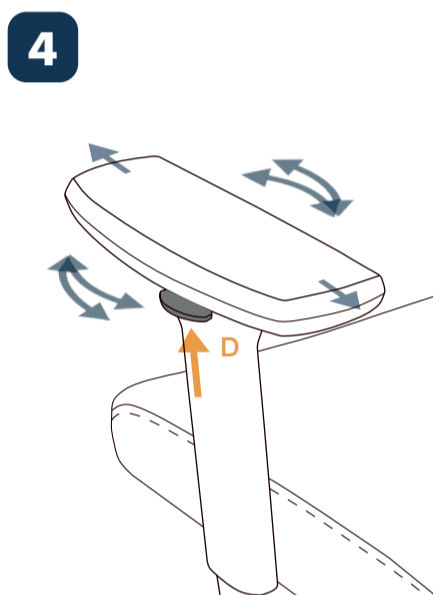
1 A. Press **upwards** to adjust the height (high/low) of the chair. Ensure that no force or weight is applied on the seat when adjusting the height.



2 B. Push **inwards** to lock incline/recline of the backrest. Pull **outwards** to unlock incline/recline of the backrest.



3 C. Lift lever **upwards** to adjust seat depth inwards/outwards.



4 D. Press the button **upwards** to adjust the height of the armrests. Toggle armpads to move it front/back and left/right.

SAFETY INFORMATION

The chair should only be used as intended and in a non-abusive manners.

If the product is defective or suspect in any way, contact us immediately.

For warranty information, please visit **Warranty section** on our website.



Do not push down on the backrest when a person is reclined



Do not use the chair with more than one person



Do not sit at the front edge of the chair



Do not stand on the chair

CARE & MAINTENANCE

Call Us:
03 5033 2690

Visit Our Website:
<https://www.alterseat.com/>



1 Apply lubricating oil into gaslift and mechanism hole to dampen squeaking sound when sitting.



2 Occasionally use fabric cleaner to clean off dust particles or oil stains with wet wipes.



3 Ensure all screws are tighten.

HOLO Sticker here max 25mm

Write your **ORDER NUMBER** here:



Scan the QR Code for further detailed instructions and tutorials.

Alterseat
Your Trusted Office Furniture Manufacturer