

Alterseat

Your Trusted Office Furniture Manufacturer

Thank you for purchasing our LIV-10 model. We hope that our chair supports you the way you need it to and brings you the joy you deserve.

If you have any feedback, please feel free to share it with us as it matters and motivates us to do better than before.

We aspire to produce better furniture to suit your needs throughout 2022.

Thank you for supporting Alterseat!



Benedick Chen
CEO & Founder of Alterseat, Singapore & Malaysia

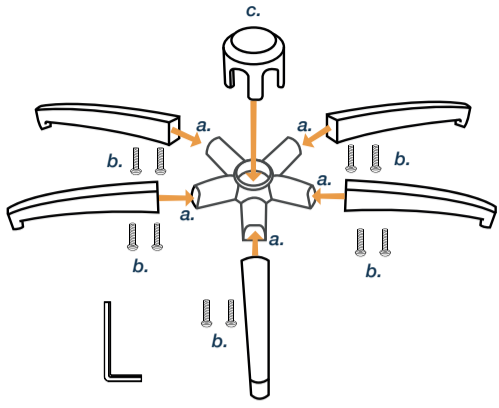
Need help?

View more detailed instruction by scanning the QR code behind or visiting <https://www.alterseat.com/blogs/blog/assembly-guide>

Assembly completed? Snap a photo of yourself in your Alterseat chair and share it on social media! We'll extend your warranty for a total of 3 years.

INSTRUCTION MANUAL AND TUTORIAL

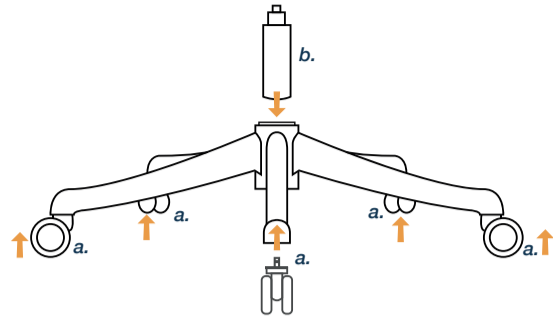
1



1. Installing the five star foot:

- a. Connect all *5pcs aluminum heels*.
- b. Tighten the *aluminum heels* with *10pcs screws in the "Detachable Feet Installation Screws" packet*.
- c. Finish off with the *aluminum heel cap* on top once all the screws is tighten.

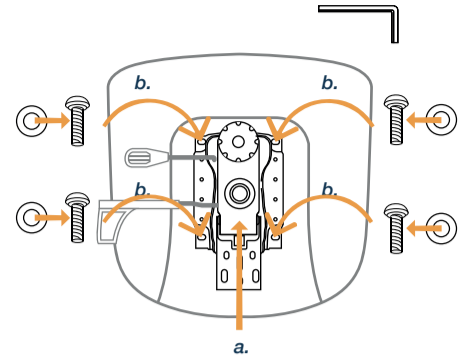
2



2. Installing air rod and casters to the five star foot:

- a. *5pcs PU casters* connect to the *aluminum heels*.
- b. Install *1pc air rod*.

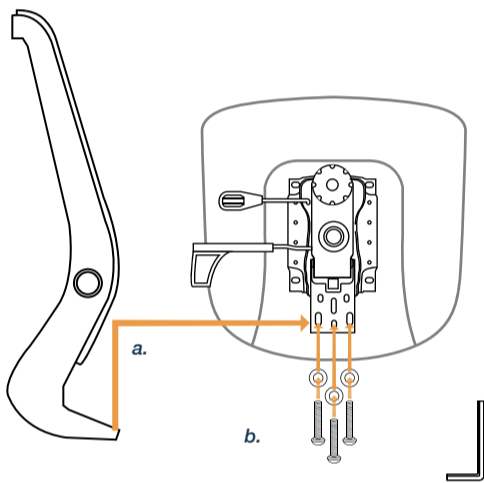
3



3. Installing cushion and mechanism components:

- a. Place the *mechanism components* below the *cushion* before screwing tightly.
- b. Tighten the *mechanism components* to the *cushion* with *4pcs short screws and 4pcs Gaskets in the "Backframe Installation Screws" packet*.

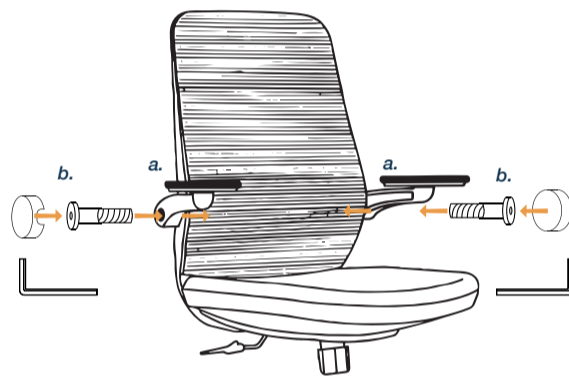
4



4. Installing backframe to the seat:

- a. Place the *backframe* onto the *seat plate* before screw.
- b. Tighten the backframe and seat with *3pcs screws and 3pcs Gaskets in the "Backframe Installation Screws" packet*.

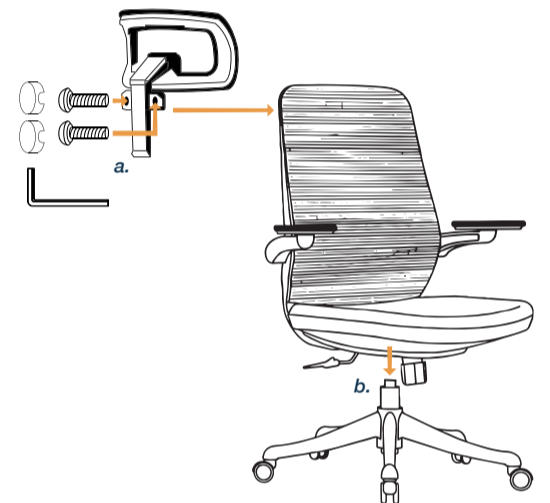
5



5. Installing armrest:

- a. Latch the *armrest* to the body in place.
- b. Connect the armrest using *2pcs armrest screws and 2pcs screw cap in the "Armrest Installation Spare Part" packet*.

6



6. Installing headrest and final assembly:

- a. Connect headrest to the chair using *2pcs headrest screws and 2pcs screw cap in the "Headrest Installation Spare Part" packet*.
- b. Make sure upper part of the chair is aligned with the *air rod*, connect it and the chair is complete!

SAFETY INFORMATION

The chair should only be used as intended and in a non-abusive manners.

If the product is defective or suspect in any way, contact us immediately.

For warranty information, please visit **Warranty section** on our website.



Do not push down on the backrest when a person is reclined



Do not use the chair with more than one person



Do not sit at the front edge of the chair



Do not stand on the chair

CARE & MAINTENANCE

Call Us:
03 5033 2690

Visit Our Website:
<https://www.alterseat.com/>



Apply lubricating oil into gaslift and mechanism hole to dampen squeaking sound when sitting.



Occasionally use fabric cleaner to clean off dust particles or oil stains with wet wipes.



Ensure all screws are tighten.



Write your **ORDER NUMBER** here:



Scan the QR Code for further detailed instructions and tutorials.

Alterseat
Your Trusted Office Furniture Manufacturer