

RAGE RC

RESIST THE ORDINARY

MICRO WARBIRD SERIES MANUAL



MESSERSCHMITT
Bf 109



**SUPERMARINE
SPITFIRE**

Safety Precautions

Age Recommendation; 14 years and up. This is not a toy.

As the owner of this airplane, you are responsible to make sure that injury to others or damage to property is avoided.

Make sure that you are familiar with the entire instruction manual before operation.

Battery Warnings

Important Notice: Mishandling of LiPo batteries can result in fire, personal injury and/or property damage!

- Ensure that batteries are properly charged before flying.
- If at any time that battery begins to balloon or swell, discontinue use immediately.
- Always store batteries at room temperature in a dry environment.
- Do not store or transport your LiPo batteries in direct sunlight or in a hot vehicle.
- Make sure to inspect all batteries before charging and do not charge damaged batteries.
- Always disconnect the battery after charging and allow the charger to cool before the next charge.
- Never leave charging batteries unattended.
- Never charge batteries in extremely hot or cold temperatures or in direct sunlight.

Box Contents

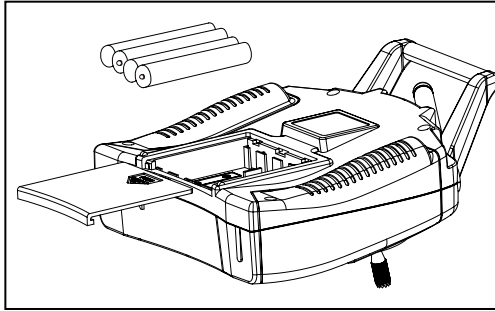


Charging Instructions

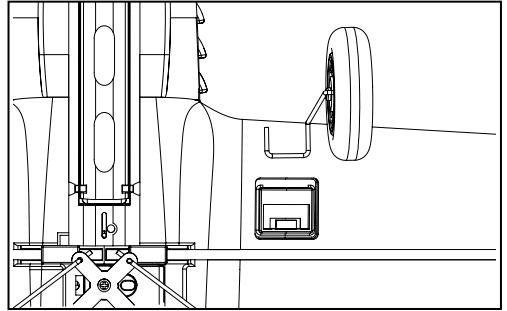


1. Unplug the battery from your plane.
2. Plug the charger into the USB port on your computer or USB adapter.
3. Connect battery to the charger.
4. The charging process will take up to 3 hours. As a safety precaution, never charge the battery for longer than 4 hours. While charging, the red LED indicator will light. When charging is complete, the LED will turn off.

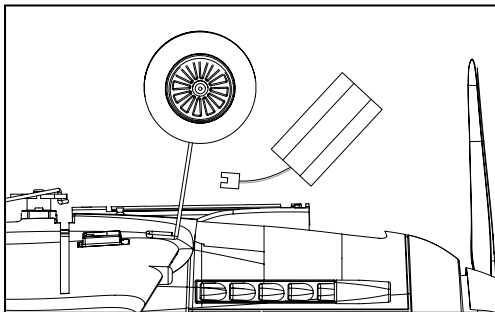
Setup Instructions



1. Install 4 AA batteries (not included) in the transmitter.



2. Plug the landing gear into the wings as shown above, press until gear clicks into place.



3. Connect the battery to the receiver and insert the battery into the battery box. Then, place the battery wires inside and close the battery box door.

4. Setup is done. **Make sure you read and follow all instructions in this manual before you start flying the airplane.**

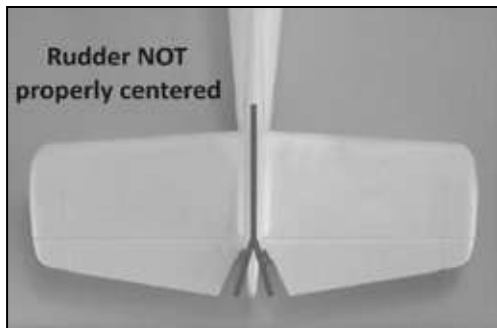
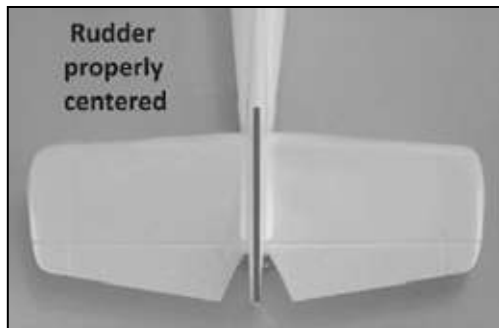
Transmitter Layout



Centering Control Surfaces

NOTE: Turn the PASS switch off (expert mode) before you complete the steps below. See more information in "PASS System" section.

With the transmitter turned on and the battery connected to the ESC (and installed in the battery compartment), it is now possible to check the center of all control surfaces.

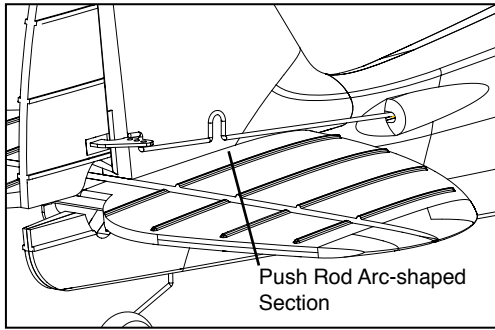


Check that the rudder is properly centered as shown above.

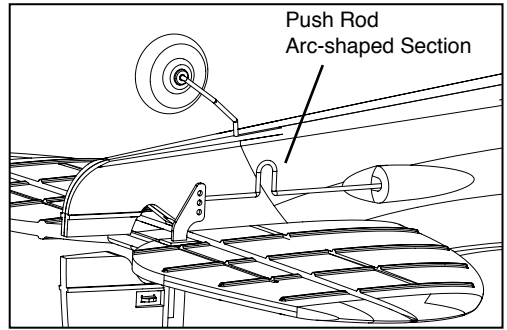


Then check that the elevator is properly centered as shown above.

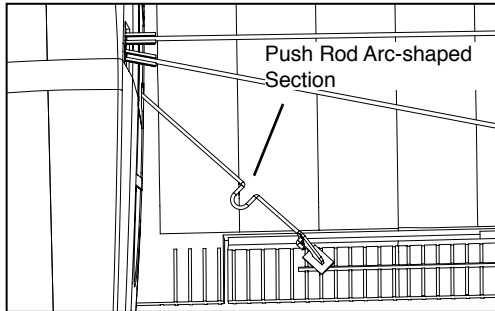
Center Control Surfaces (cont.)



If the rudder is not properly centered, adjust the push rod length by bending the arc-shaped section slightly with needle nose pliers until the rudder is centered.



If the elevator is not properly centered, adjust the push rod length by bending the arc-shaped section slightly with needle nose pliers until the elevator is centered.



If the aileron is not properly centered, adjust the push rod length by bending the arc-shaped section slightly with needle nose pliers until the aileron is centered.

Please Note: It is unlikely that you will need to make these adjustments to your new model.

Any final adjustments can be made with the trim buttons as shown on page 6.

PASS System Control

- 0 - Away From You - Manual / PASS Off (EXPERT)
- 1 - In the Middle - Partial Assist (MID)
- 2 - Towards You - Full Assist (BEGINNER)



The PASS System comes pre-installed in the airplane to help make flying a smoother experience. In either assist mode, the PASS System greatly reduces the stress of the pilot and makes the plane easier and even more fun to fly.

The PASS System has 3 levels of control.

Full Assist (switch toward pilot) In this position the bank and dive angles of the airplane are greatly restricted and the plane will return to level flight when the sticks are released.

Partial Assist (switch in middle) In this position the bank and dive angles are increased, but the plane still returns to level flight when the sticks are released.

No Assist (switch away from pilot) In this position the stability system is inactive. This is the expert setting and allows for unaided control. If orientation or control is lost, simply switch to one of the other assist modes to regain control.

Digital Trim

Digital trims allow you to adjust the center position of aileron, rudder, or elevator. Each time the trim button is pressed, the servo output will change slightly. If the trim button is held, the output will scroll in that direction until the trim button is released or the output reaches its end. When you hear a longer "beep" sound, the trim is centered.



Checking Control Movement

Transmitter Operaton	Reaction

With the aircraft power on and the PASS system in Expert, check the elevator, rudder and aileron response as shown above.

Swing The Plane	PASS Reaction
	Pitch Reaction
	Yaw Reaction
	Roll Reaction

With the aircraft power on and the PASS system in Partial or Full Assist, check the elevator, rudder and aileron response as shown above.

Servo Reversing

If you find that the direction of travel of one of the servos is reversed, follow these steps to change the direction of operation.

- Turn on the transmitter, but do not move the throttle stick up and down (Don't arm motor).
- Plug the flight battery into the airplane
- Hold the stick of the channel that you wish to reverse in its full throw position for 10 seconds. You will hear a beep indicating that the direction of travel has been reversed.
- PLEASE NOTE: The long 10 second hold is to prevent accidental servo reversing.
- To undo this change, repeat the above steps.

Arming the Motor

To prevent damage to the aircraft and surroundings, the throttle channel is locked each time the transmitter is turned on. Follow the instructions below to unlock the throttle and arm the motor.

CAUTION: Keep your fingers and other foreign objects away from the prop while arming the motor. Raise the throttle stick up to max position until you hear a "beep" sound. Then pull the throttle stick down to min position until you hear a second "beep" sound. The motor is now armed. When the throttle stick is raised again the motor will start.

Stunt Function Button

The stunt button allows the pilot to perform a roll or loop automatically when flying in either PASS assist mode. As shown in the below diagrams, while flying in either mode, press the one-key stunt button on the left shoulder of the transmitter and you will hear several beeps. While the transmitter is beeping, simply move the aileron stick to either direction for auto-roll or move the elevator stick to "up elevator" (stick down) to perform a loop.

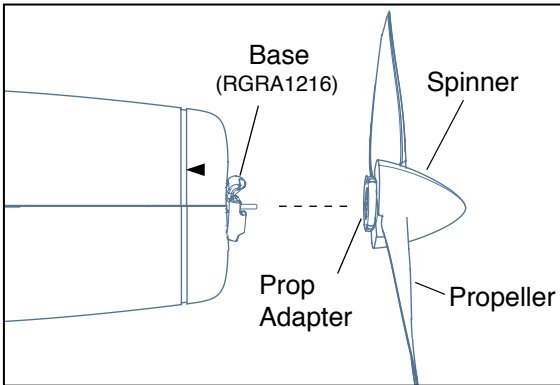


Press the Stunt Function Button then move the aileron stick in either direction to auto-roll the aircraft. After completing the roll the aircraft will return to level flight.



Press the Stunt Function Button then move the elevator stick down (up elevator) to auto-loop the aircraft. After completing the roll the aircraft will return to level flight.

Prop Saver Instructions

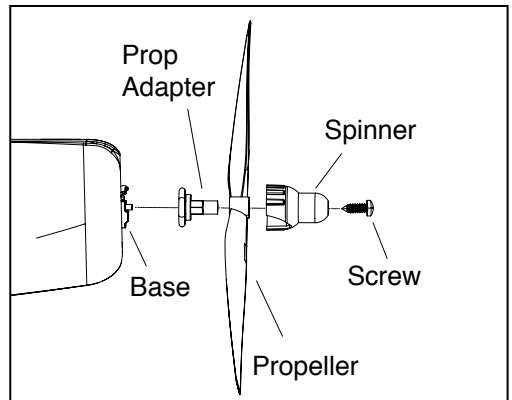
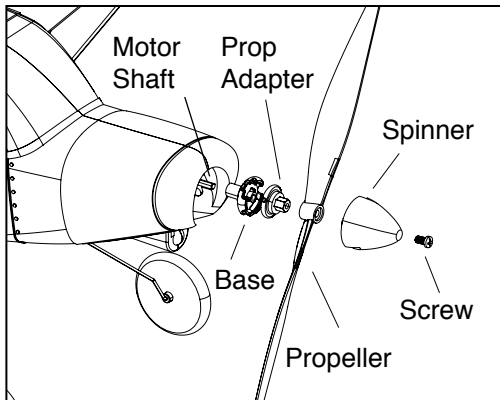


Each Prop/Spinner set includes the propeller, spinner and prop adapter.

See page 10 for specific part numbers for each airplane.

The prop saver keeps the propeller and prop shaft from damage, along with preventing the electronic components from over current. When the airplane hits any obstacle, the prop will pop loose and fall from the base. To reinstall the prop, center the prop adapter(see diagram) on the motor shaft, and press until you hear a "click" that indicates that the prop has been reinstalled.

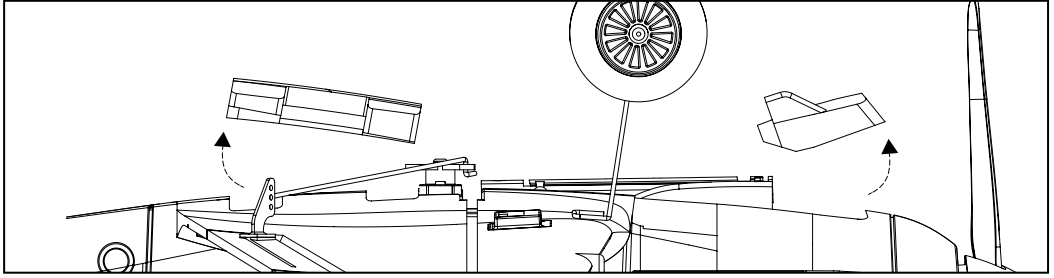
Propeller Replacement



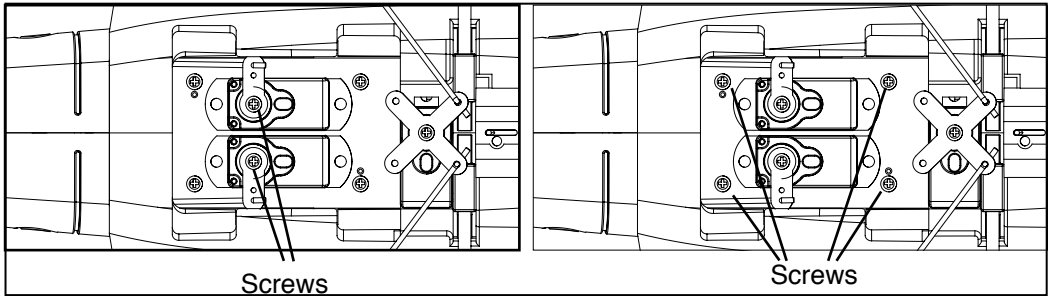
Follow these steps to replace a broken propeller and/or shaft adaptor. You will need a Phillips screwdriver and needle nose pliers (not included).

1. Remove screw with a Phillips screwdriver and remove the spinner and propeller.
2. Remove shaft adaptor (labeled base on the diagram). If it's too tight, use pliers to help.
3. Replace any broken parts.
4. Reinstall all parts by reversing the installation steps to complete the replacement.

Replacing Motor or Control Board

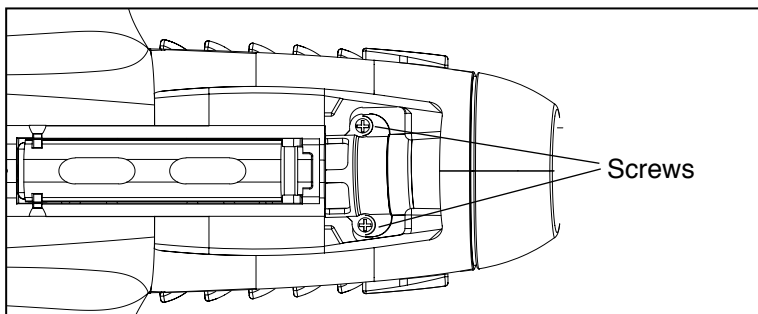


The control board and motor can be accessed by removing the hatches on the bottom of the fuselage. No tools are required. Gently pry the hatch open with your fingers.



Use the following steps to replace the Control Board

1. Remove the screws as shown above and remove the arms.
2. As shown in the above diagram to the right, remove the screws holding the Control Board in place.
3. Unplug the connections to both the motor and main wing servos making note of the orientation of the plugs.
4. Install the new Control Board by reversing the above 3 steps.



Use the following steps to replace the motor.

1. Unplug the motor connection from the control board noting the orientation of the plug.
2. As shown in the above diagram, remove the screws holding the motor in place.
3. After removing the motor, install the new motor by reversing the above 2 steps.

Flight Checklist

IMPORTANT NOTE: Although this section can be used as a quick start guide, we strongly suggest that you read the entire manual before proceeding. This checklist is NOT intended to replace the content included in this instruction manual.

- Always turn the transmitter on first.
- Ensure the throttle control stick is at bottom position before connecting the battery.
- Fly the model (hand-launch or take off from a flat/level surface).
- Land the model (on a flat/level surface).
- Unplug the battery from ESC.
- Always turn off the transmitter last.

Binding Instructions

Binding is the process of programming the receiver to recognize the GUID (Globally Unique Identifier) code of a single specific transmitter. When a receiver is bound to a transmitter, the receiver will only respond to that specific transmitter.

If you need to rebind for any reason, please follow the steps below.

1. Keep the transmitter switched OFF with the throttle stick at bottom position.
NOTICE: Keep PASS switch at Partial or Full assist position.
NOTICE: Make sure you keep the plane still in a calm, stable position when initializing the PASS system.
2. Connect the battery to the plane, then turn on the transmitter within 5 seconds.
3. The receiver LED will flash for 3 to 8 seconds before binding automatically.
4. After the receiver LED stops flashing, the binding process is complete and you are ready to fly.

CAUTION: Remember to use caution when flying near people and property!

Pass System Calibration

1. Make sure the airplane is set in level flying position.
Note that the tail of the airplane needs to be propped up to make the wings level.
2. Turn the throttle stick to min (low) position.
3. Turn on the transmitter and plug in the battery to power on the airplane
4. Do NOT unlock the throttle at this point.
5. Hold the sticks as shown for several seconds.
6. When you hear a “beep” sound, it means the PASS system is calibrated based on the position of the airplane.



NOTE: This process is only required if the model is not performing properly when in PASS mode. Perform this with the airplane held in a level flying position.

Replacement Parts

Micro Spitfire

<i>Item Number</i>	<i>Description</i>
RGRA1303	Micro Spitfire RTF
RGRA1329	3-Blade Propeller and Spinner Set; Spitfire
RGRA1330	2-Blade Performance Prop and Spinner (2); Spitfire
RGRA1331	Fuselage; Micro Spitfire
RGRA1332	Main Wing and Tail; Micro Spitfire
RGRA1333	Pushrod Set; Micro Spitfire

Micro Bf 109

<i>Item Number</i>	<i>Description</i>
RGRA1304	Messerschmitt Bf 109 Micro RTF Airplane
RGRA1337	3-Blade Propeller and Spinner Set; Bf 109
RGRA1338	2-Blade Performance Prop (2); Bf 109
RGRA1339	Fuselage; Bf 109
RGRA1340	Main Wing and Tail; Bf 109
RGRA1341	Pushrod Set; Bf 109

Common Parts

<i>Item Number</i>	<i>Description</i>
RGRA1186	Servo Arms (Set of 4); Micro Warbirds
RGRA1190	1S USB Charger; Micro Warbirds
RGRA1216	Base for Prop/Spinner Assembly; Micro Warbirds
RGRA1316	10mm Coreless Motor; Micro Warbirds
RGRA1317	5-Channel 2.4 Transmitter; Micro Warbirds
RGRA1319	2g Servo; Micro Warbirds
RGRA1328	3.7V 400mAh 25C LiPo Battery; Micro Warbirds
RGRA1334	Landing Gear Set; Spitfire, Bf 109
RGRA1335	Gear Box; BF 109, Spitfire, Bf 109
RGRA1336	5-in-1 Control Board; Spitfire, Bf 109

See your local hobby shop or place of purchase first. If unavailable, parts can be ordered direct at www.ragerc.com or call 1-866-724-3811 M-F 9:00-5:00PM Mountain Time.

LIMITED WARRANTY

Warranty Period: Rage R/C warrants that the Warbird Series ("Product") will be free from original factory defects in materials and workmanship upon purchase ("Warranty Period"). What is Not Covered - This warranty is not transferable and does not cover (a) cosmetic damage, (b) damage due to acts of God, accident, misuse, abuse, negligence, commercial use, or due to improper use, installation, operation or maintenance, (c) modification to any part of the Product, (d) attempted service by anyone other than a Rage R/C authorized service center, or (e) Product not purchased from an authorized Rage R/C dealer.

OTHER THAN THE EXPRESS WARRANTY ABOVE, RAGE R/C MAKES NO OTHER WARRANTY OR REPRESENTATION, AND THEREFORE DISCLAIMS ANY AND ALL IMPLIED WARRANTIES, INCLUDING, WITHOUT LIMITATION, THE IMPLIED WARRANTIES OF NON-INFRINGEMENT, MERCHANTABILITY AND SUITABILITY FOR A PARTICULAR PURPOSE. THE PURCHASER ACKNOWLEDGES THAT THEY ALONE HAVE DETERMINED THAT THE PRODUCT WILL MEET THE REQUIREMENTS OF THEIR INTENDED USE.

Purchaser's Remedy - Rage R/C's sole obligation and purchaser's sole and exclusive remedy shall be that Rage R/C will, at its option, either (a) service, or (b) replace, any Product determined by Rage R/C to be defective. Rage R/C reserves the right to inspect any and all Product(s) involved in a warranty claim. Service or replacement decisions are at the sole discretion of Rage R/C. Proof of purchase is required for all warranty claims. SERVICE OR REPLACEMENT AS PROVIDED UNDER THIS WARRANTY IS THE PURCHASER'S SOLE AND EXCLUSIVE REMEDY.

Limitation of Liability - RAGE R/C SHALL NOT BE LIABLE FOR SPECIAL, INDIRECT, INCIDENTAL OR CONSEQUENTIAL DAMAGES, LOSS OF PROFITS OR PRODUCTION OR COMMERCIAL LOSS IN ANY WAY, REGARDLESS OF WHETHER SUCH CLAIM IS BASED IN CONTRACT, WARRANTY, TORT, NEGLIGENCE, STRICT LIABILITY OR ANY OTHER THEORY OF LIABILITY, EVEN IF RAGE R/C HAS BEEN ADVISED OF THE POSSIBILITY OF SUCH DAMAGES.

Further, in no event shall the liability of Rage R/C exceed the individual price of the Product on which liability is asserted. As Rage R/C has no control over use, setup, final assembly, modification or misuse, no liability shall be assumed nor accepted for any resulting damage or injury. By the act of use, setup or assembly, the user accepts all resulting liability. If you as the purchaser or user are not prepared to accept the liability associated with the use of the Product, purchaser is advised to return the Product immediately in new and unused condition to the place of purchase.

Law - These terms are governed by Utah law (without regard to conflict of law principals). this warranty gives you specific legal rights, and you may also have other rights which vary from state to state. Rage R/C reserves the right to change or modify this warranty at any time without notice.

Rage R/C, an exclusive brand of:
HRP Distributing, Inc.
2034 South 3850 West
Salt Lake City, Utah 84104



© 2022 HRP Distributing, Inc

© HRP Distributing, Inc. Printed in China