

# 1/10th 4WD Electric Power R/C On-Road Car/Drift Car

## Specifications:

STYLES	LENGTH	WIDTH	HEIGHT	WHEEL BASE	DRIVE SYSTEM	GROUND CLEARANCE	DIAMETER OF WHEEL	WIDTH OF WHEEL	GEAR RATIO	SERVO
On-Road	360mm	200mm	112mm	195mm	4WD Shaft Drive	4.5mm	65mm	26mm	1:6.52	3Kg
Drift	360mm	200mm	112mm	195mm	4WD Shaft Drive	4.5mm	85mm	26mm	1:6.52	

Styles	Motor	KV (Brushless Motor)	Motor RPM range	Battery Specification	ESC Specification	ESC Temperature protection	Under Voltage Protection	Gear Ratio	Speed
Brush Version	Re540		20000rpm	NiMH-7.2V-1800mAh	Continue Forward 50A/Continue outward 100A			1/6.52	28KM
Brushless Version	3650 (RC540)	3300KV	23760rpm 24420rpm	NiMH-7.2V-2000mAh LiPO-7.4V-3600mAh 25C	Brushless 45A	98(+/-3-5 centigrade)	below 5V1A	1/6.10	35KM 42KM
TOP Brushless Edition	3650 (RC540)	2724KV	22882rpm 30236rpm	NiMH-8.4V-3000mAh LiPO-11.1V-3600mAh 25C	Brushless 45A w/Fan	98(+/-3-5 centigrade)	below 7.2V1A	1/6.10	60KM

Styles	GENERAL GEAR			PRO1.GEAR		PRO2.GEAR(metal)			
	Diff.Main Gear	Motor Gear	Gear Ratio	Diff.Main Gear	Motor Gear	Diff.Main Gear	Motor Gear	Gear Ratio	
Brush Version	#03004-58T	#03005-26T	1:6.52	#11188-48T	#11171-21T	1:6.68	#11184-64T	#11189-29T	1:6.45
Brushless Version				#11188-48T	#11173-23T	1:6.1	#11184-64T	#11189-29T	1:6.45

## Spare Part

02007-Rear Lower Suspension Arm	02008-Front Lower Suspension Arm	02014-Steering Hub (L/R)	02015-Front Hub Carrier (L/R)	02013-Rear Upright+Set Screw 4*4
02033-Wheel Axle	02016-Universal Joint Cup B+ Grub Screw 4*4	02032-Universal Joint Cup C	02021-Rear Arm Holder	02022-Front Arm Holder
02077-Front Bumper Plate	02052-Front Bumper Foam	02009-Front Bumper Upper Cover	02005-Rear Bumper	02064-Rear Body Post Plate
02027-Rear Lower Suspension Arm	02008-Front Lower Suspension Arm	02014-Steering Hub (L/R)	02015-Front Hub Carrier (L/R)	02013-Rear Upright+Set Screw 4*4
02033-Wheel Axle	02016-Universal Joint Cup B+ Grub Screw 4*4	02032-Universal Joint Cup C	02021-Rear Arm Holder	02022-Front Arm Holder
02077-Front Bumper Plate	02052-Front Bumper Foam	02009-Front Bumper Upper Cover	02005-Rear Bumper	02064-Rear Body Post Plate

## Spare Part

02035-Front Shock Tower	02042-Rear Shock Tower	02002-Shock Absorber	03011-Motor (RC540)	02500-Motor Line
03007-Motor Mount	03602-Chassis	03990-Radio Tray	03013-Radio Tray Mount	03610-Battery Cover
03014-Battery (7.2V 1800mAh)	04004-Battery Corner Holder	03009-Battery Cover Post	02074-Steering Ackerman Joint	02025E-Steering Set A
02075-Steering Set B	03401-Gear Shelter	03300-Motor Heat Proof Cover	03004-Diff.Main Gear (58T)	03005-Motor Gear (26T)
02029-Crown Gear (38T)	02030-Drive Pinion Complete	02024-Diff.Main Gear Complete	03015-Drive Gear Shaft+E-Clips	02066-Diff.Pinions/Pin
02039-Differential Box+Seals+Washers	02051-Gear Box	02228-Star Style Spoke Wheel Rim	02116-Tyre+Insert Sponge	02185-Sealed Wheel Complete
02228PL(Gold) 02228PB(Blue) Chrome Plated Spoke Rim With Sprayed	07001-Tyre	07003-Drift Wheels Complete	02372-Servo Arm	03008-Switch Cover

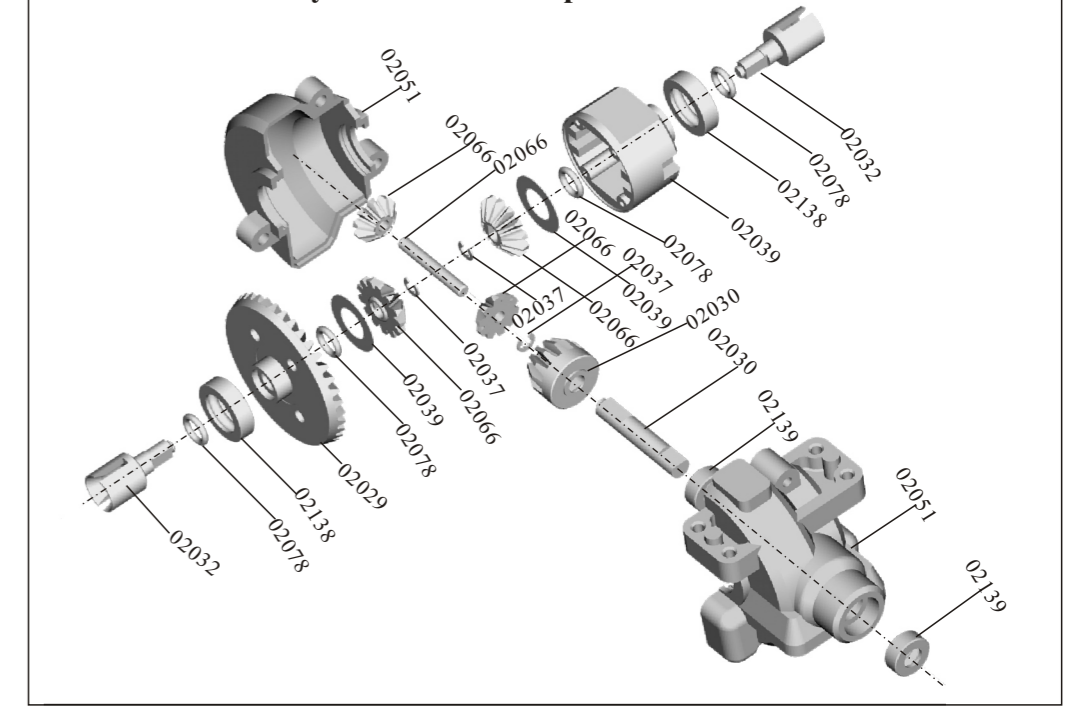
## Upgradable Optionals

102211-Steering Hub(L/R) (AL.)+Cap Head Mechanical Screws 3*12mm*2P/3*11mm*2P	102212-Aluminum Rear Hub Carrier(L/R)+Flat Head Mechanical Screws 3*15mm*2P+M4*4 Grub Hex. Screw 2P	102217-Front/Rear & Servo Link(AL.)+Flat Head Mechanical Screws 3*14mm*4P+Nut M3*4P	102223-Aluminum Rear Shock Tower+Cap Head Mechanical Screws 3*14mm*2P/3*8mm*2P	102219-Front Lower Arm (AL.)+Flat Head Machine Screw 3*14mm*2P+Grub Screw 4*6*2P
102221-Rear Lower Arm (AL.)+Flat Head Machine Screw 3*14mm*2P+Grub Screw 4*6*2P	102222-Aluminum Front Shock Tower+Cap Head Mechanical Screws 3*14mm*2P	102048-Aluminum Nut M3	102049-Aluminum Nut M4	102240-Aluminum Ackerman Plate
103371-Lightweight Motor Mount(AL.)+Flat Head Machine Screw 3*8*2P+Cap Head Machine Screw 3*8mm*2P	102260-Aluminum Front Gear Box Mount	102261-Aluminum Rear Gear Box Mount	102258-Aluminum Front Bumper Upper Plate+Cap Head Machine Screw 3*10mm*2P/Flat Head Machine Screw 3*10mm*2P	103301-Carbon Fibre Chassis
103302-Carbon Fibre Radio Tray	102270-Rear Body Post Plate	103022-Carbon Fibre Billet Front Shock Tower	103023-Carbon Fibre Billet Rear Shock Tower	03204-LiPO Battery 7.4V 3600mAh 25CC
28434-LiPO Battery 11.1V 3600mAh 25CC	28347-Charger	103058-Carbon Fibre Impact Resistant Sponge Cover/Flat Head Machine Screw 3*8*2P/Cap Head Machine Screw 3*10*2P	102227-Suspension Arm Brace(AL.)	102257-Steering Servo Saver Set(AL.)

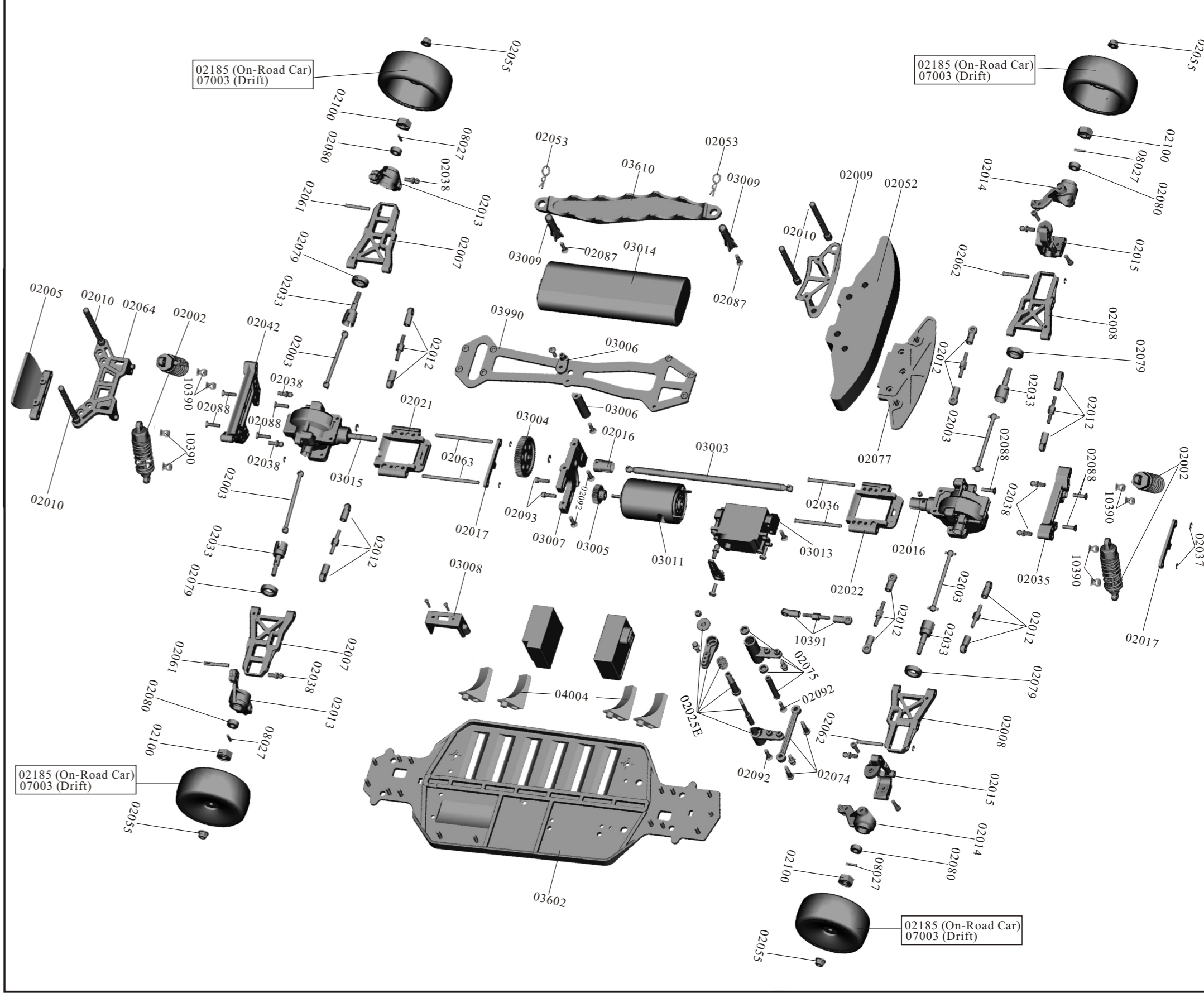
## Upgradable Optionals

103310-Carbon Fibre Battery Cover	103013-Servo Mount(AL.)+Flat Head Machine Screw 3*8*2P+Cap Head Machine Screw 3*8*4P	103004-Aluminum Battery Mount+Flat Head Machine 3*10*4P	103006-Antenna Mounts (AL.)+Flat Head Machine Screw 3*10*1P/Cap Head Machine Screw 3*10*1P	103009-Aluminum Battery Posts+Flat Head Machine 3*10*2P
-----------------------------------	--	---	--	---

## Gear Box Assembly View-Common parts



## On-Road Car/Drift Car Full Assembly View



## Spare Part

02012-Front/Rear Link	10391-Servo Link	02003-Dogbones Hole Track:55mm Total Length:61mm	02010-Body Post Front:Long Rear:Short	03003-Center Dogbone 157mm
08027-Pin 2*10	02036-3*44mm Front Suspension Arm Pin A	02061-Rear Lower Arm Round Pin B 3*23mm	02062-Front Lower Arm Round Pin B 3*24.5mm	02063-Rear Suspension Arm Pin A 3*54mm
02057-Antenna Pipe	03006-Antenna Mount	02017-Suspension Arm Reinforcement Brace	2530-Power Commutator	02053-R-Clip
02501-Washer 8*5.2*0.5	02037-E-Clip (Ø7.0*Ø2.5*Ø2.3)	02101-Steering Bushing	02103-Zip Tie	02100-Wheel Hex.
02079-Oil Bearing Ø15*Ø10*4	02080-Oil Bearing Ø5*Ø10*4	02139-Ball Bearing Ø10*Ø5*4	02138-Ball Bearing Ø15*Ø10*4	02078-O-Ring
02055-Nylon Locknut M4	02102-M3 Nylon Lock Nut	10390-Ball Head A	02099-Grub Screw M4*4	02038-Ball Head Screw
02093-M3*10 Column Head Machine Screw 10P	02095-M3*8 Column Head Machine Screw 4P	01083-Round Head Self-Tapping Screw 3*11 6P	02085-Round Head Self-Tapping Screw 2*8 3P	02086-Round Head Self-Tapping Screw 2*10 10P
02087-Countersunk Cross Head Self-Tapping Screw 3*10 13P	02088-Countersunk Cross Head Self-Tapping Screw 3*14 13P	02089-Countersunk Cross Head Self-Tapping Screw 3*15 9P	02180-Flat Head Self-Tapping Screw 3*16 10P	81220-5-Flat Head Machine Screw 3*14 4P

## Spare Part

02092-ISO 3*10 Screw 8P	08024-Discal Screw M3*11 8P	02096-Cap Head Machine Screw 3*10 6P	02176-Cap Head Machine Screws 3*12 4P	02083-Cap Head Self-Tapping Screw 3*12 6P
02082-Cap Head Self-Tapping Screw 3*10 10P	02081-Cap Head Self-Tapping Screw 3*8 6P			

## Pro.On-Road Car/Drift Car-Spare Parts

102004-Aluminum Shock Absorber	03302-Brushless Motor KV:3300	03200-Battery Ni-MH (7.2V 2000mAh)	02228PL(Gold) 02228PB(Blue) Chrome Plated Spoke Rim With Sprayed	102048-Aluminum Nut M3
102049-Aluminum Nut M4	11188-Diff.Main Gear (48T)	11173-Motor Gear (23T)	11189-Motor Gear Metal (29T)	

## TOP Version On-Road Car-Spare Parts

03404-Brushless Motor KV:2724	30324-Battery Ni-MH 8.4V 3000mAh	11184-Diff.Main Gear Metal (64T)	11189-Motor Gear Metal (29T)	
-------------------------------	----------------------------------	----------------------------------	------------------------------	--

## Upgradable Optionals

102015-Universal Drive Joint	102004-Aluminum Shock Absorber	102042-Aluminum Wheel Hex. Mount	102237-Aluminum Body Post+Cap Head Machine Screw 4P	102210-Aluminum Front Hub Carrier(L/R)+Flat Head Mechanical Screws 3*15mm*2P
------------------------------	--------------------------------	----------------------------------	---	--