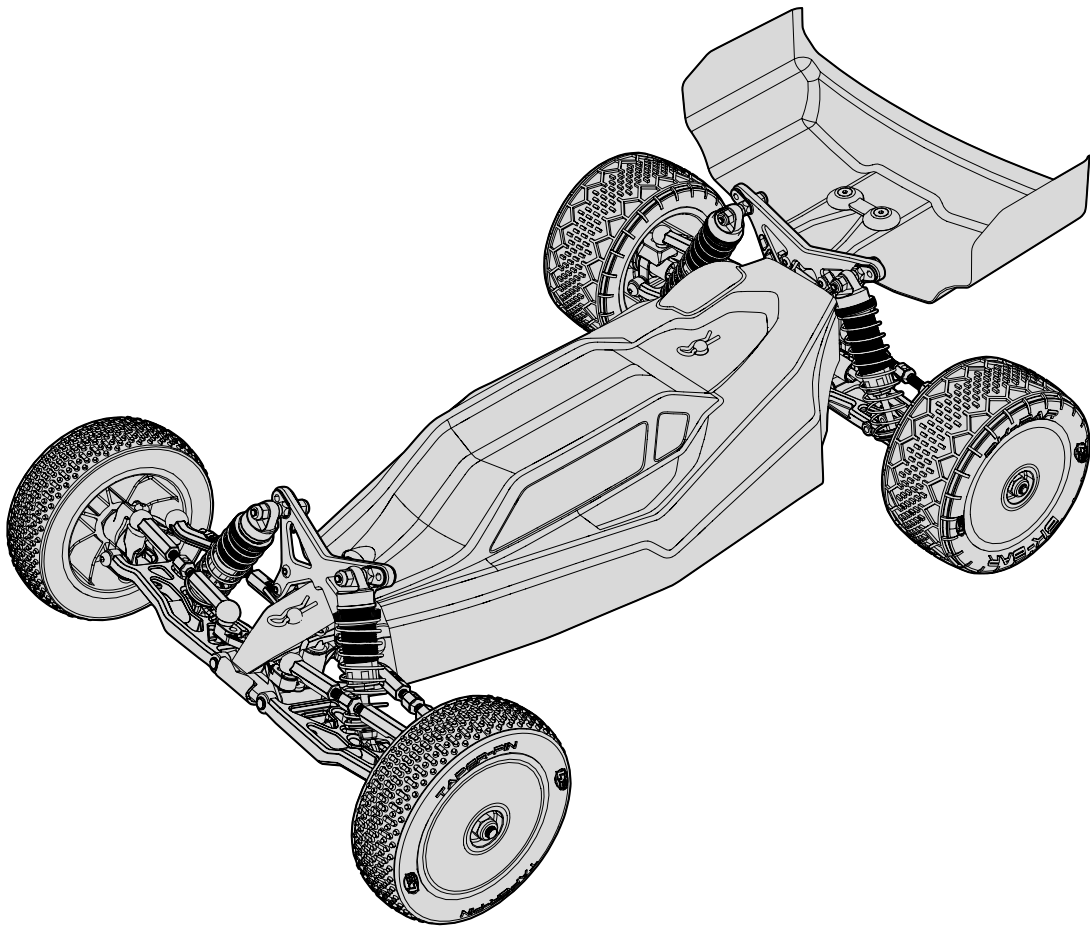




MINI-B™

1/16 SCALE 2WD BUGGY PRO ROLLER



Scan the QR code and select the Manuals and Support quick links from the product page for the most up-to-date manual information.

Scannen Sie den QR-Code und wählen Sie auf der Produktseite die Quicklinks Handbücher und Unterstützung, um die aktuellsten Informationen zu Handbüchern.

Scannez le code QR et sélectionnez les liens rapides Manuals and Support sur la page du produit pour obtenir les informations les plus récentes sur le manuel.

Scannerizzare il codice QR e selezionare i Link veloci Manuali e Supporto dalla pagina del prodotto per le informazioni manuali più aggiornate.



INSTRUCTION MANUAL
BEDIENUNGSANLEITUNG
MANUEL D'UTILISATION
MANUALE DI ISTRUZIONI

Before operating this vehicle, please read all printed materials thoroughly. Horizon Hobby is not responsible for inadvertent errors in this manual.

HORIZON
H O B B Y

NOTICE

All instructions, warranties and other collateral documents are subject to change at the sole discretion of Horizon Hobby, LLC. For up-to-date product literature, visit horizonhobby.com or towerhobbies.com and click on the support or resources tab for this product.

MEANING OF SPECIAL LANGUAGE

The following terms are used throughout the product literature to indicate various levels of potential harm when operating this product:

WARNING: Procedures, which if not properly followed, create the probability of property damage, collateral damage, and serious injury OR create a high probability of superficial injury.

CAUTION: Procedures, which if not properly followed, create the probability of physical property damage AND a possibility of serious injury.

NOTICE: Procedures, which if not properly followed, create a possibility of physical property damage AND a little or no possibility of injury.



WARNING: Read the ENTIRE instruction manual to become familiar with the features of the product before operating. Failure to operate the product correctly can result in damage to the product, personal property and cause serious injury.

This is a sophisticated hobby product. It must be operated with caution and common sense and requires some basic mechanical ability. Failure to operate this Product in a safe and responsible manner could result in injury or damage to the product or other property. This product is not intended for use by children without direct adult supervision. Do not use with incompatible components or alter this product in any way outside of the instructions provided by Horizon Hobby, LLC. This manual contains instructions for safety, operation and maintenance. It is essential to read and follow all the instructions and warnings in the manual, prior to assembly, setup or use, in order to operate correctly and avoid damage or serious injury

WARNING AGAINST COUNTERFEIT PRODUCTS Always purchase from a Horizon Hobby, LLC authorized dealer to ensure authentic high-quality Spektrum product. Horizon Hobby, LLC disclaims all support and warranty with regards, but not limited to, compatibility and performance of counterfeit products or products claiming compatibility with DSM or Spektrum.

Age Recommendation: Not for children under 14 years. This is not a toy.

SAFETY PRECAUTIONS AND WARNINGS

- Always keep a safe distance in all directions around your model to avoid collisions or injury. This model is controlled by a radio signal subject to interference from many sources outside your control. Interference can cause momentary loss of control.
- Always operate your model in open spaces away from full-size vehicles, traffic and people.
- Always carefully follow the directions and warnings for this and any optional support equipment (chargers, rechargeable battery packs, etc.).
- Always keep all chemicals, small parts and anything electrical out of the reach of children.
- Always avoid water exposure to all equipment not specifically designed and protected for this purpose. Moisture causes damage to electronics.
- Never place any portion of the model in your mouth as it could cause serious injury or even death.
- Never operate your model with low transmitter batteries.

TABLE OF CONTENTS

Register Your Losi Product Online	2	Service/Repair	7
Recommended Accessories	2	Radio/Speed Control and Motor	7
Tools Included	2	Maintenance	7
Contents	3	Cleaning	7
Quick Start	3	Troubleshooting Guide	8
Installing the Receiver (not Included)	4	Problem	8
Installing the steering servo (not Included)	4	Possible Cause	8
Installing the motor ESC Combo (not Included)	5	Solution	8
Installing the Battery and Powering On the Vehicle.....	5	Limited Warranty	9
Binding	6	Warranty and Service Contact Information	9
Control Test.....	6	Parts Listings	33
Driving Precautions	6	Optional Parts	34
Run Time	6	Exploded View	35
To Improve Run Times.....	6		
Getting Started	6		
Operation.....	6		
Tuning, Adjusting and Maintaining the Vehicle	7		
Shock Cleaning	7		
Ride Height Adjustment.....	7		

REGISTER YOUR LOSI PRODUCT ONLINE

Register your vehicle now and be the first to find out about the latest option parts, product updates and more. Click on the Support tab at www.LOSI.com and follow the product registration link to stay connected.

RECOMMENDED ACCESSORIES

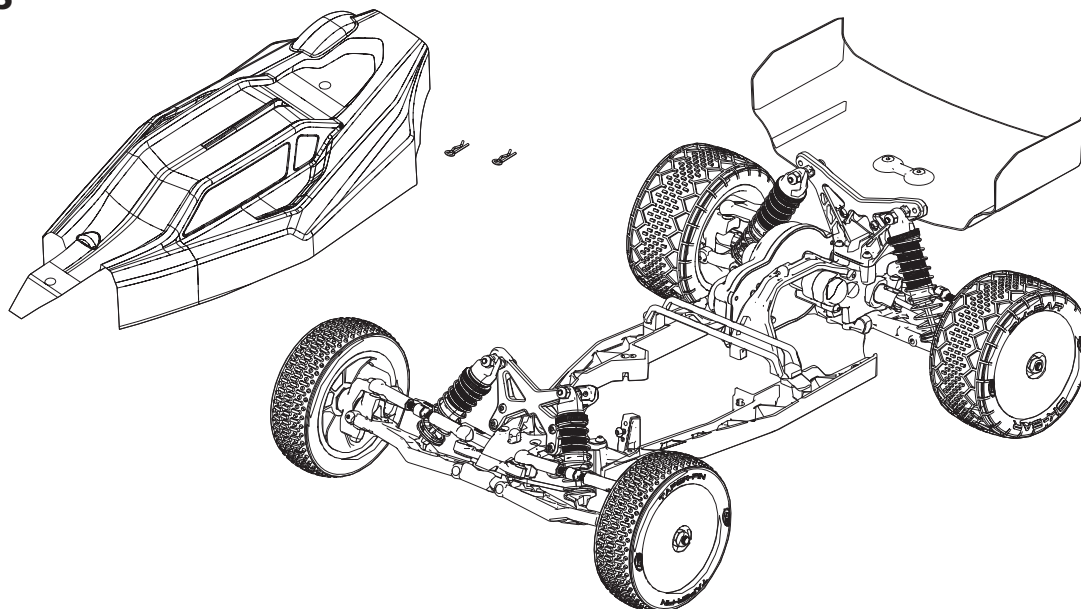
- Soft bristle brush for cleaning
- Startup Tool Set: Metric (DYN2834)
- Thread Lock

TOOLS INCLUDED

- 4-Way Wrench
- 1.5mm Hex "L" Wrench
- 2mm Hex "L" Wrench

Use only Dynamite® tools or other high-quality tools. Other tools can cause damage to the small screws and parts used on this model.

CONTENTS



INCLUDED	REQUIRED COMPONENTS	RECOMMENDED COMPONENTS	PART NUMBER
Losi® Mini-B Roller	2+ Channel Radio Control System	Spektrum DX5C DSMR 5CH TX Only, SR315 Receiver combo	SPM5115C
	High Torque Steering Servo with 20T Output Gear	Spektrum™ SX107 Micro Analog Metal Gear Surface Servo	SPMSSX107
	Motor / ESC	Dynamite® Brushless Motor/ESC 2-in-1 Combo, 6000Kv: Mini-T 2.0	DYNS0501
	Pinion	18T	See parts list
	2S Hardcase LiPo Battery	Spektrum 7.4V 800mAh 2S 50C Hardcase LiPo with EC2	DYNB825H2
	Charger	Spektrum SMART S1200 DC Charger, 1x200W	SPMXC1000

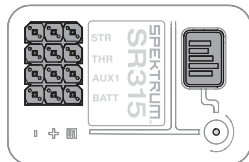
QUICK START

Please read the entire manual to gain a full understanding of the Mini-B vehicle, fine-tuning the setup and performing maintenance.

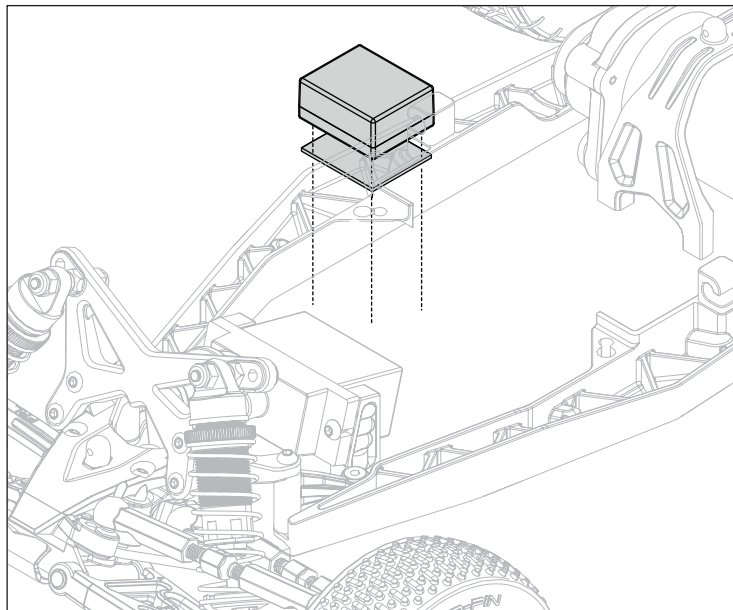
1. Read the safety precautions found in this manual.
2. Charge the battery. Refer to the included charging warnings and instructions for battery charging information.
3. Ensure the transmitter and receiver is bound before installing the following components. Please refer to the binding instructions of your transmitter's manual.
4. Install a Receiver
5. Install a Steering Servo
6. Install a Motor/ESC combo.
7. Install a fully charged battery in the vehicle.
8. Power ON the transmitter and then the vehicle. Always power the transmitter ON before the vehicle and power it OFF after the vehicle has been powered OFF.
9. Check the steering and throttle control directions. Verify that the servos are moving in the correct direction.
10. Drive your vehicle.
11. Perform any necessary maintenance.

INSTALLING THE RECEIVER (NOT INCLUDED)

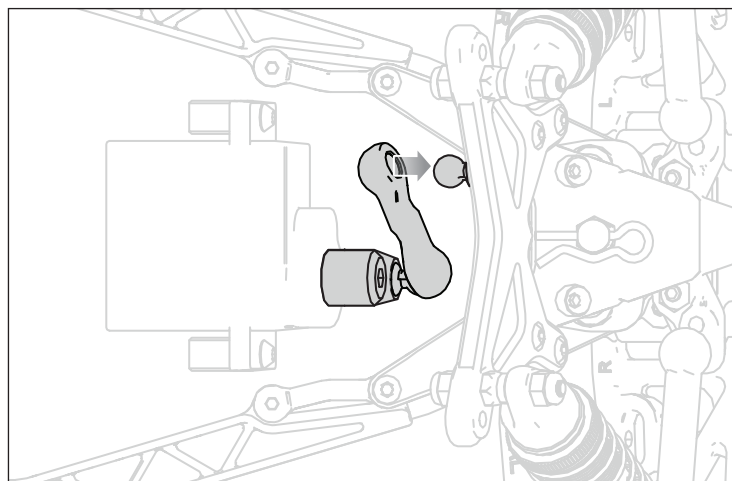
1. Install servo tape to the receiver.
2. Install the receiver to the chassis.
3. Refer to transmitter/receiver manual for binding instructions.



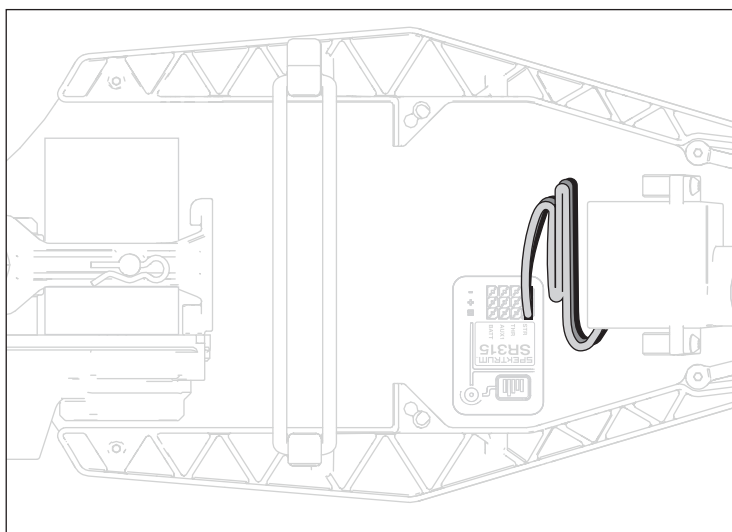
Receiver sold separately



4. Connect the steering linkage to the ball on the servo arm.
5. Connect the other end of the steering linkage to the ball on steering rack.

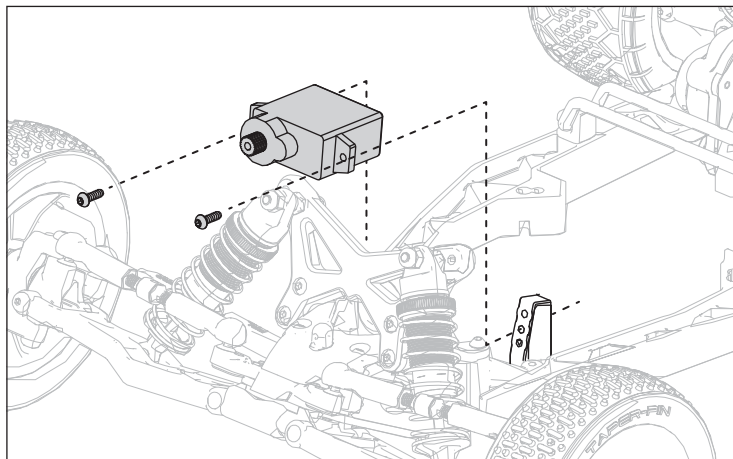


6. Connect the servo wire to the steering port on the receiver.



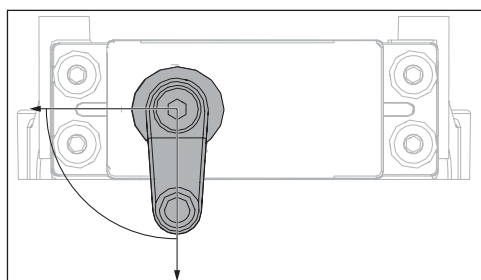
INSTALLING THE STEERING SERVO (NOT INCLUDED)

1. Mount the servo SX107 with the output shaft toward the left side of the chassis as shown in the image below.



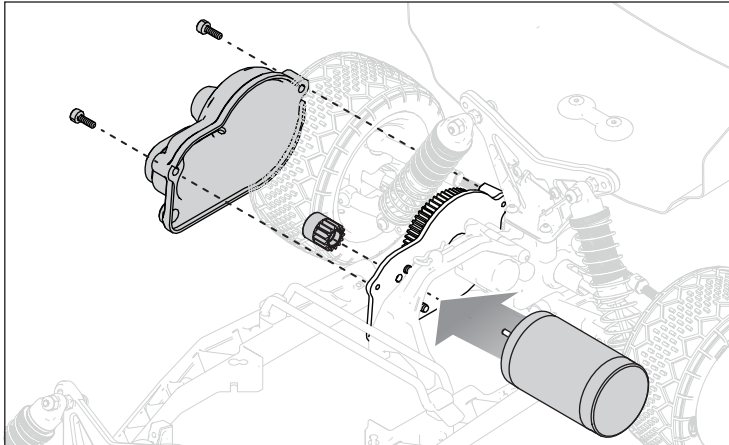
2. Center the steering servo using a servo checker. If no servo checker is available, the servo can be centered with the radio system. Power on the transmitter and ensure the steering trim is centered. Plug the servo into the receiver. Power on the receiver. The servo should power on and move to center.
3. With the servo centered, install the recommended (LOS311010) servo horn so the ball is 90 degrees as shown in the image below.

NOTE: The included aluminum servo horn requires a servo with a 20T output gear.

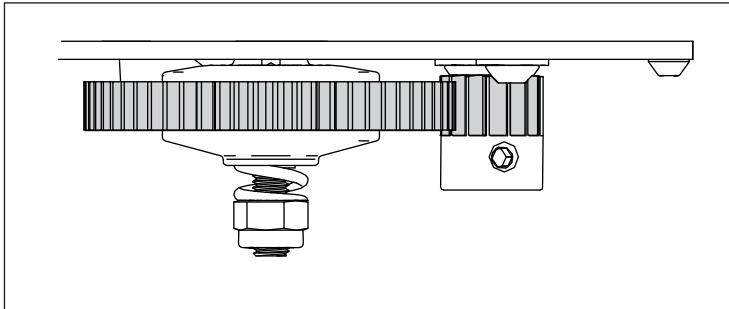


INSTALLING THE MOTOR ESC COMBO (NOT INCLUDED)

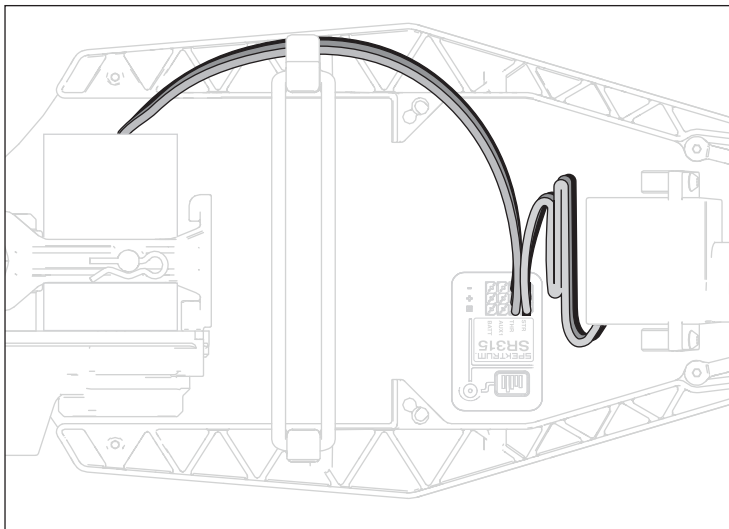
1. Remove two screws and the gear cover.
2. Install the recommended (DYN50501) motor. Mount the motor on the center top and bottom holes of the mount.



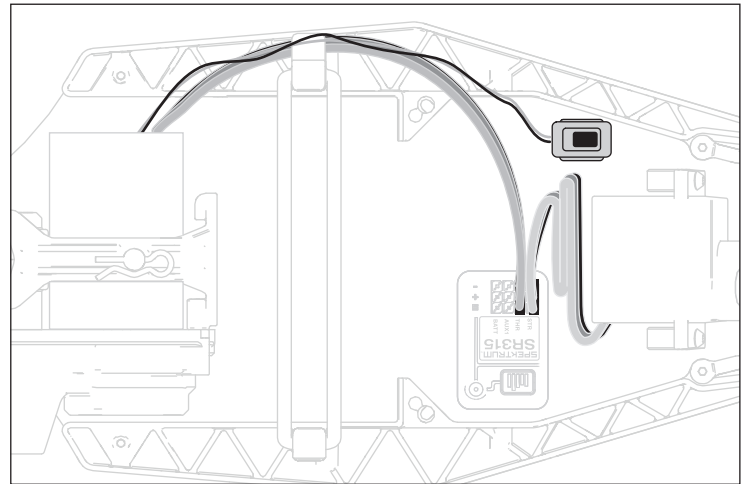
3. Slide the 18T pinion gear on the motor shaft. Match the tooth profile of the pinion gear to the tooth profile of the spur gear, then tighten the pinion gear to the motor shaft. Ensure the set screw for the pinion gear is tightened on to the flat spot on the motor shaft, or the pinion gear will come off. The pinion gear should be centered to the spur gear as shown in the image below.



4. Route the ESC wire down the side guard using the supplied clip to guide the wire to the receiver.



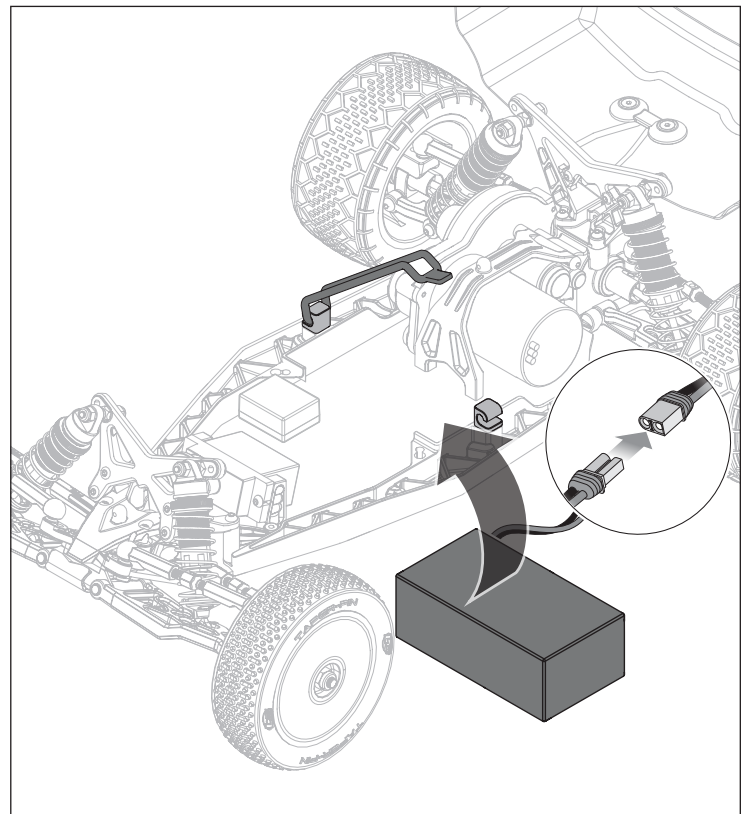
5. Route the ON/OFF wire down the side guard using the supplied clip to guide the wire to mount the ON/OFF Switch.



6. Install the gear cover.

INSTALLING THE BATTERY AND POWERING ON THE VEHICLE

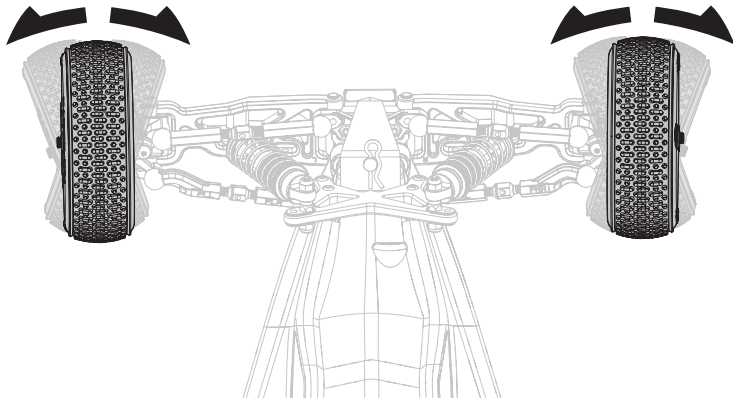
1. If required, remove the body clips and lift the body.
2. Remove the elastomer strap from the battery posts.
3. Install the fully charged battery in vehicle.
4. Re-secure the elastomer strap.
5. Connect the battery to the ESC/receiver.
6. Ensure the ESC/receiver is powered off.
7. Power on the transmitter.
8. Power on the ESC/receiver.
9. Reinstall the body and the body clips.



BINDING

Refer to your transmitter/receiver manual for binding instructions.

CONTROL TEST



Perform a control test with the vehicle wheels off the ground. If the wheels rotate after the vehicle is powered ON, adjust the Throttle Trim until they stop. To make the wheels move forward, pull the trigger. To reverse them, wait for the wheels to stop, then push the trigger. When moving forward, the wheels should maintain a straight line without any steering wheel input. If not, adjust the Steering Trim, so the wheels maintain a straight line without having to turn the steering wheel.

DRIVING PRECAUTIONS

- Maintain sight of the vehicle at all times.
- Inspect the vehicle for loose wheel hardware.
- Inspect the steering assembly for any loose hardware. Driving the vehicle off-road can cause fasteners to loosen over time.
- Do not drive the vehicle in tall grass. Doing so can damage the vehicle or electronics.
- Stop driving the vehicle when you notice a lack of power. Driving the vehicle when the battery is discharged can cause the receiver to power off. You may lose control of the vehicle.
- Do not apply the throttle in forward or reverse if the vehicle is stuck. Applying throttle in this instance can damage the motor or ESC.
- After driving the vehicle, allow the electronics to cool to ambient temperature before using the next battery pack.

RUN TIME

The condition of a battery pack is also an important factor in both run time and speed. The battery connectors may become hot during driving. Batteries will lose performance and capacity over time.

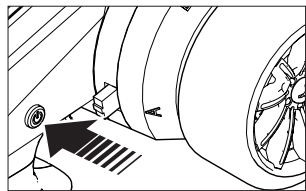
Driving the vehicle from a stop to full speed repeatedly will damage the batteries and electronics over time. Sudden acceleration will also lead to shorter run times.

TO IMPROVE RUN TIMES

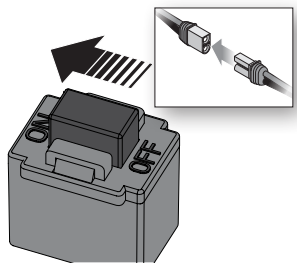
- Keep your vehicle clean and well maintained.
- Allow more airflow to the ESC and motor.
- Change the gearing to a lower ratio. A lower ratio lowers the operating temperature of the electronics. Use a smaller pinion gear or larger spur gear to lower the gear ratio.

GETTING STARTED

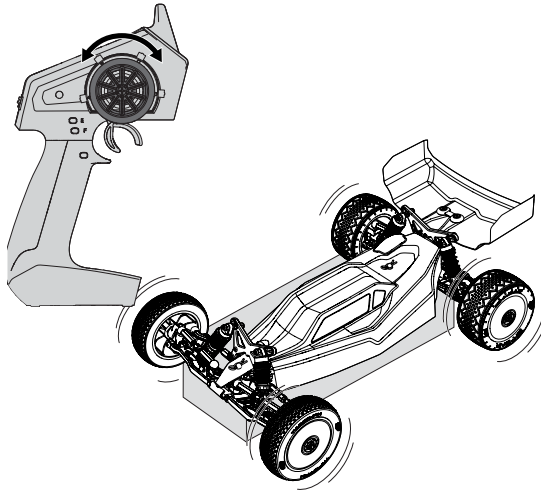
1. Power on the transmitter.



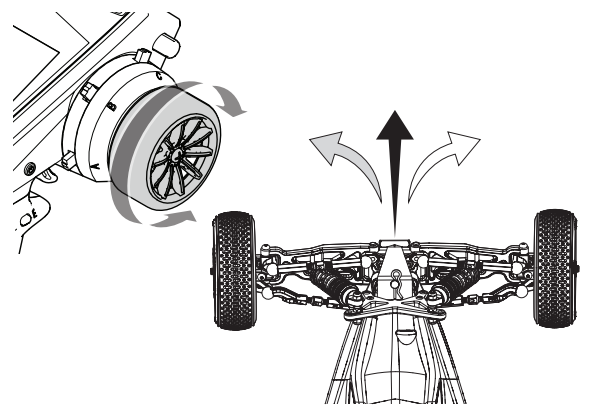
2. Power on the ESC.



3. Perform a test of the transmitter's control of the vehicle with the vehicle's wheels off the ground.



4. Start driving slowly, and, if the vehicle does not go straight, adjust the steering trim dial on the transmitter.



OPERATION

- **ALWAYS** turn on your transmitter before you turn on the receiver in the vehicle. Always power off the receiver before turning your transmitter off.
- **ALWAYS** operate your vehicle in a wide open area. Operating the vehicle in a small space or indoors can cause overheating at low speeds. Operating at low speed increases heat in the electronic speed control (ESC). Overheating can damage the vehicle and failure may result.

TUNING, ADJUSTING AND MAINTAINING THE VEHICLE

- Examine your vehicle on a regular basis.
- Use a brush to remove dirt and dust.
- Look for damage to the suspension arms and other molded parts.
- Re-glue the tires to the wheels, if necessary.
- Use suitable tools to tighten fasteners.
- Make sure the camber and steering linkages are not bent. Replace any bent linkages.
- Adjust the Toe and Camber settings, if necessary.
- Remove the shocks and inspect them for damage. Rebuild the shocks if oil is leaking.
- Inspect electronics and batteries for exposed wires. Repair exposed wires with shrink-wrap or replace the wire.
- Make sure the ESC and receiver are secure on the chassis. Replace the double-sided tape, if necessary.
- Check the spur gear for wear.

SHOCK CLEANING

Oil-filled shocks will require regular maintenance due to the oil breaking down or getting dirty. This maintenance should be performed after about every 3–5 hours of use, depending on the driving conditions.

- Remove the shock from the vehicle.
- Remove the bottom cartridge from the shock body and dispose of fluid.
- Disassemble the shock. Clean thoroughly with a plastic- and electronic-safe degreaser (DYNE50001). Dry parts before assembly.
- Re-assemble the shock and refill the shock body with silicone fluid (22.5 weight recommended, TLR74003).
- Slowly move the shaft and piston up and down to remove air bubbles.
- Move the piston to the midway point of the body and install the bottom cartridge.
- Wipe off any overflowing fluid.
- Re-install the shock on the vehicle.

RIDE HEIGHT ADJUSTMENT

Ride height is an adjustment that affects the way the vehicle jumps, turns and goes over bumps. Drop one end of the vehicle from approximately 6 inches (152 mm) in height onto a flat surface. When dropping the front of the vehicle, after the vehicle settles, make sure the front arms are equal and parallel to the flat surface. Do the same with the rear to make sure both arms are parallel with the flat surface.

Lowering the front ride height increases steering, but decreases traction. Lowering the rear ride height increases traction, but decreases steering.

SERVICE/REPAIR

RADIO/SPEED CONTROL AND MOTOR

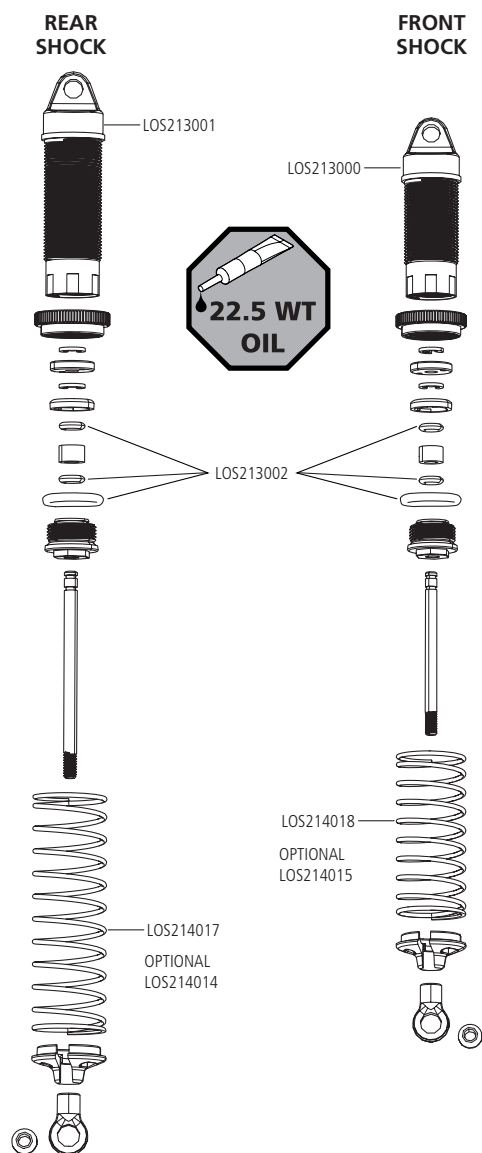
If any problems other than those covered in the troubleshooting section arise, please call the appropriate electronics service department at 877 504 0233. They will be able to give the problem additional specific attention and provide instructions for the solution.

MAINTENANCE

If any questions other than those covered in the troubleshooting or maintenance sections arise, please call the appropriate Horizon product support department at 877 504 0233.

CLEANING

Performance can be hindered if dirt gets in any of the moving suspension parts. Use compressed air, a soft paintbrush, or a toothbrush to remove dust or dirt. Avoid using solvents or chemicals as they can actually wash dirt into the bearings or moving parts, as well as cause damage to the electronics.



TROUBLESHOOTING GUIDE

PROBLEM	POSSIBLE CAUSE	SOLUTION
Vehicle does not operate	Battery not charged or plugged in	Charge battery/plug in
	ESC switch not "On"	Turn on ESC switch
	Transmitter not "On" or low battery	Turn on/replace batteries
Motor runs but rear wheels do not rotate	Pinion not meshing with spur gear	Adjust pinion/spur mesh
	Pinion spinning on motor shaft	Tighten pinion gear setscrew on motor shaft flat spot
	Transmission gears stripped	Replace transmission gears
	Drive pin broken	Check and replace drive pin
Steering does not work	Servo plug not in receiver properly	Make sure the steering servo plug is connected to the receiver steering channel, noting proper polarity
	Servo gears or motor damaged	Replace or repair servo
Will not turn one direction	Servo gears damaged	Replace or repair servo
Motor does not run	Motor wire solder joint is damaged	Resolder the motor wire with the proper equipment
	Motor wire broken	Repair or replace as needed
	ESC damaged	Contact Horizon Hobby Product Support
ESC gets hot	Motor over-gear	Use smaller pinion or larger spur gear
	Driveline bound up	Check wheels and transmission for binding
Poor run time and/or sluggish acceleration	Battery pack not fully charged	Recharge battery
	Charger not allowing full charge	Try another charger
	Driveline bound up	Check wheels, transmission for binding
Poor range and/or glitching	Transmitter batteries low	Check and replace
	Vehicle battery low	Recharge battery
	Loose plugs or wires	Check all wire connections and plugs

LIMITED WARRANTY

What this Warranty Covers

Horizon Hobby, LLC, (Horizon) warrants to the original purchaser that the product purchased (the "Product") will be free from defects in materials and workmanship for a period of 2 years from the date of purchase.

What is Not Covered

This warranty is not transferable and does not cover (i) cosmetic damage, (ii) damage due to acts of God, accident, misuse, abuse, negligence, commercial use, or due to improper use, installation, operation or maintenance, (iii) modification of or to any part of the Product, (iv) attempted service by anyone other than a Horizon Hobby authorized service center, (v) Product not purchased from an authorized Horizon dealer, or (vi) Product not compliant with applicable technical regulations or (vii) use that violates any applicable laws, rules, or regulations.

OTHER THAN THE EXPRESS WARRANTY ABOVE, HORIZON MAKES NO OTHER WARRANTY OR REPRESENTATION, AND HEREBY DISCLAIMS ANY AND ALL IMPLIED WARRANTIES, INCLUDING, WITHOUT LIMITATION, THE IMPLIED WARRANTIES OF NON-INFRINGEMENT, MERCHANTABILITY AND FITNESS FOR A PARTICULAR PURPOSE. THE PURCHASER ACKNOWLEDGES THAT THEY ALONE HAVE DETERMINED THAT THE PRODUCT WILL SUITABLY MEET THE REQUIREMENTS OF THE PURCHASER'S INTENDED USE.

Purchaser's Remedy

Horizon's sole obligation and purchaser's sole and exclusive remedy shall be that Horizon will, at its option, either (i) service, or (ii) replace, any Product determined by Horizon to be defective. Horizon reserves the right to inspect any and all Product(s) involved in a warranty claim. Service or replacement decisions are at the sole discretion of Horizon. Proof of purchase is required for all warranty claims. SERVICE OR REPLACEMENT AS PROVIDED UNDER THIS WARRANTY IS THE PURCHASER'S SOLE AND EXCLUSIVE REMEDY.

Limitation of Liability

HORIZON SHALL NOT BE LIABLE FOR SPECIAL, INDIRECT, INCIDENTAL OR CONSEQUENTIAL DAMAGES, LOSS OF PROFITS OR PRODUCTION OR COMMERCIAL LOSS IN ANY WAY, REGARDLESS OF WHETHER SUCH CLAIM IS BASED IN CONTRACT, WARRANTY, TORT, NEGLIGENCE, STRICT LIABILITY OR ANY OTHER THEORY OF LIABILITY, EVEN IF HORIZON HAS BEEN ADVISED OF THE POSSIBILITY OF SUCH DAMAGES. Further, in no event shall the liability of Horizon exceed the individual price of the Product on which liability is asserted. As Horizon has no control over use, setup, final assembly, modification or misuse, no liability shall be assumed nor accepted for any resulting damage or injury. By the act of use, setup or assembly, the user accepts all resulting liability. If you as the purchaser or user are not prepared to accept the liability associated with the use of the Product, purchaser is advised to return the Product immediately in new and unused condition to the place of purchase.

Law

These terms are governed by Illinois law (without regard to conflict of law principals). This warranty gives you specific legal rights, and you may also have other rights which vary from state to state. Horizon reserves the right to change or modify this warranty at any time without notice.

WARRANTY SERVICES

Questions, Assistance, and Services

Your local hobby store and/or place of purchase cannot provide warranty support or service. Once assembly, setup or use of the Product has been started, you must contact your local distributor or Horizon directly. This will enable Horizon to better answer your questions and service you in the event that you may need any assistance. For questions or assistance, please visit our website at www.horizonhobby.com, submit a Product Support Inquiry, or call the toll free telephone number referenced in the Warranty and Service Contact Information section to speak with a Product Support representative.

Inspection or Services

If this Product needs to be inspected or serviced and is compliant in the country you live and use the Product in, please use the Horizon Online Service Request submission process found on our website or call Horizon to obtain a Return Merchandise Authorization (RMA) number. Pack the Product securely using a shipping carton. Please note that original boxes may be included, but are not designed to withstand the rigors of shipping without additional protection. Ship via a carrier that provides tracking and insurance for lost or damaged parcels, as Horizon is not responsible for merchandise until it arrives and is accepted at our facility. An Online Service Request is available at http://www.horizonhobby.com/content/service-center_render-service-center. If you do not have internet access, please contact Horizon Product Support to obtain a RMA number along with instructions for submitting your product for service. When calling Horizon, you will be asked to provide your complete name, street address, email address and phone number where you can be reached during business hours. When sending product into Horizon, please include your RMA number, a list of the included items, and a brief summary of the problem. A copy of your original sales receipt must be included for warranty consideration. Be sure your name, address, and RMA number are clearly written on the outside of the shipping carton.

NOTICE: Do not ship Li-Po batteries to Horizon. If you have any issue with a Li-Po battery, please contact the appropriate Horizon Product Support office.

Warranty Requirements

For Warranty consideration, you must include your original sales receipt verifying the proof-of-purchase date. Provided warranty conditions have been met, your Product will be serviced or replaced free of charge. Service or replacement decisions are at the sole discretion of Horizon.

Non-Warranty Service

Should your service not be covered by warranty, service will be completed and payment will be required without notification or estimate of the expense unless the expense exceeds 50% of the retail purchase cost. By submitting the item for service you are agreeing to payment of the service without notification. Service estimates are available upon request. You must include this request with your item submitted for service. Non-warranty service estimates will be billed a minimum of ½ hour of labor. In addition you will be billed for return freight. Horizon accepts money orders and cashier's checks, as well as Visa, MasterCard, American Express, and Discover cards. By submitting any item to Horizon for service, you are agreeing to Horizon's Terms and Conditions found on our website http://www.horizonhobby.com/content/service-center_render-service-center.



ATTENTION: Horizon service is limited to Product compliant in the country of use and ownership. If received, a non-compliant Product will not be serviced. Further, the sender will be responsible for arranging return shipment of the un-serviced Product, through a carrier of the sender's choice and at the sender's expense. Horizon will hold non-compliant Product for a period of 60 days from notification, after which it will be discarded.

10/15

WARRANTY AND SERVICE CONTACT INFORMATION

Country of Purchase	Horizon Hobby	Contact Information	Address
United States of America	Horizon Service Center (Repairs and Repair Requests)	servicecenter.horizonhobby.com/RequestForm/	2904 Research Rd Champaign, Illinois 61822 USA*
	Horizon Product Support (Product Technical Assistance)	productsupport@horizonhobby.com 877-504-0233	
	Sales	websales@horizonhobby.com 800-338-4639	
European Union	Horizon Technischer Service	service@horizonhobby.de +49 (0) 4121 2655 100	Hanskampring 9 D 22885 Barsbüttel, Germany
	Sales: Horizon Hobby GmbH		

del vostro rivenditore. La somma per la riparazione dovrà essere pagata al vostro rivenditore. Le riparazioni a pagamento avranno un costo minimo di 30 minuti di lavoro e in fattura includeranno le spese di restituzione. Qualsiasi riparazione non pagata e non richiesta entro 90 giorni verrà considerata abbandonata e verrà gestita di conseguenza.

ATTENZIONE: Le riparazioni a pagamento sono disponibili solo sull'elettronica e sui motori. Le riparazioni a livello meccanico, soprattutto per gli elicotteri e le vetture RC, sono molto costose e devono essere effettuate autonomamente dall'acquirente.

10/15

COORDONNÉES DE GARANTIE ET RÉPARATIONS

Stato di acquisto	Horizon Hobby	Telefono/Indirizzo e-mail	Indirizzo
Unione Europea	Horizon Technischer Service	service@horizonhobby.de +49 (0) 4121 2655 100	Hanskampring 9 D 22885 Barsbüttel, Germany
	Sales: Horizon Hobby GmbH		

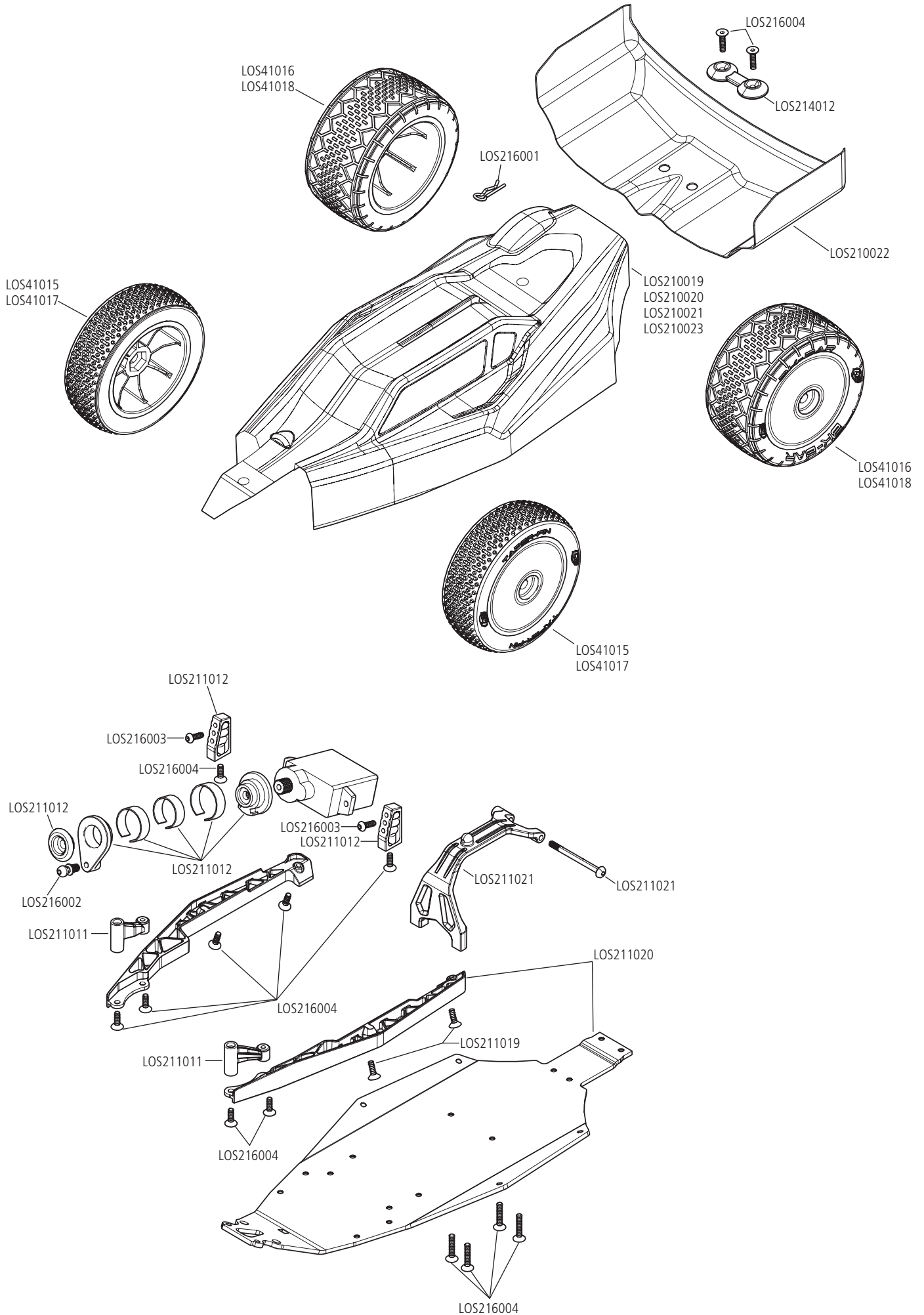
PARTS LISTINGS | TEILELISTE | LISTE DES PIÈCES | ELENCO COMPONENTI

PART #	ENGLISH	DEUTSCH	FRANÇAIS	ITALIANO
LOS210019	Body, Wing, Blue/White	Karosserie, Tragfläche, blau/weiß	Coque, aile, bleue/blanche	Carrozzeria, alettone, bianco/blu
LOS210020	Body, Wing, Black/White	Karosserie, Tragfläche, schwarz/weiß	Coque, aile, noire/blanche	Carrozzeria, alettone, bianco/nero
LOS210022	Wing, Precut, Clear (2)	Tragfläche, Gehäuse, farblos (2)	Aile, prédécoupée, transparente (2)	Alettone, pretagliato, trasparente (2)
LOS210023	Body, Wing, Yellow/White	Karosserie, Tragfläche, gelb/weiß	Coque, aile, jaune/blanche	Carrozzeria, alettone, bianco/giallo
LOS211011	Front Bulkhead, Front Brace, Left/Right	Vordere Spritzwand, Strebe links/rechts	Cloison avant, support gauche/droite	Paratia anteriore, montante SX/DX
LOS211012	Servo Mount, Servo Saver	Servohalterung, Servo-Saver	Support de servo, économiseur de servo	Supporto servo, salvaservo
LOS211013	Bellcrank, Drag Link, Set	Umlenkhebel, Lenkzwischenstangensatz	Levier coudé, ensemble barre de direction	Set tirante longitudinale, squadretta
LOS211016	Gear Cover with Plug	Getriebeabdeckung mit Stecker	Cache d'engrenage avec bouchon	Carter ingranaggi con tappo
LOS211020	Chassis & Mud Guards	Chassis und Schmutzfänger	Châssis et garde-boues	Parafanghi e paratelaio
LOS211021	Waterfall, Front Body Post	Kaskade, Vordere Gehäusestange	Waterfall, montant de coque avant	Waterfall, supporto carrozzeria ant.
LOS211022	Battery Strap, Elastomer	Akku-Klemme, Elastomer	Dispositif de maintien de batterie, élastomère	Fascetta batteria, elastomero
LOS212011	Wheel Hex, Pin (2)	Sechskantrad, Stift (2)	Écrou hexagonal de roue, axe (2)	Esagono ruota, perno (2)
LOS212012	Rear Axle (2)	Hinterachse (2)	Axe arrière (2)	Assale posteriore (2)
LOS212013	Dogbone (2)	Dogbone (2)	Dogbone (2)	Cardano (2)
LOS212014	Front Axle (2)	Vorderachse (2)	Axe avant (2)	Assale anteriore (2)
LOS212015	Slipper Hardware	Gleiter-Hardware	Accessoires de sabot	Parti antisaltellamento
LOS212016	Spur Gear with Slipper Pads 60T 0.5M	Stirnrad mit Gleitkissen 60T 0.5M	Roue droite cylindrique avec sabots de piston, 60T 0,5 M	Ingr. cilindrico con pattini di scorr. 60T 0,5 M
LOS212018	Differential Gear, Idler Gear	Differentialgetriebe, Zwischenrad	Engrenage différentiel, pignon intermédiaire	Differenziale, ruota folle
LOS212019	Outdrive Sun Spider Gear Set	Sonnen-/Planetenradantriebssatz	Arbre extérieur, roue solaire/pignon satellite, ensemble	Kit outdrive, satellite/planetario
LOS212020	Top Shaft	Obere Welle	Arbre supérieur	Albero superiore
LOS212021	Transmission Case & Motor Plate	Getriebeabdeckung und Motorplatte	Plaque moteur et boîtier de transmission	Piastra motore e scatola di trasmissione
LOS212022	Losi .5 Mod Pinion Gear, 18T, 2mm	Losi .5 Mod Zahnradgetriebe, 18T, 2mm	Pignon mod. 0,5 Losi, 18T, 2 mm	Pignone Losi .5 Mod, 18T, 2 mm
LOS213000	Front Shock Set Complete	Kompletter vorderer Stoßdämpfersatz	Lot d'amortisseurs avant, complet	Set completo ammortizzatore anteriore
LOS213001	Rear Shock Set Complete	Kompletter hinterer Stoßdämpfersatz	Lot d'amortisseurs arrière, complet	Set completo ammortizzatore posteriore
LOS213002	Shock O-Ring Set	O-Ring-Satz für den Stoßdämpfer	Ensemble joint torique d'amortisseur	Kit O-ring ammortizzatore
LOS214003	Suspension Arm Set, Front/Rear	Aufhängungsarmsatz, vorn/hinten	Lot de bras de suspension, avant/arrière	Set braccetti sospensioni, ant./post.
LOS214005	Caster Block & Front Camber Block	Radblock & Vorderer Radsturzblock	Bloc de roulettes et cale de carrossage avant	Set blocchi incidenza e campanatura ant.
LOS214006	Spindle & Hub Set	Spindel- und Nabensatz	Ensemble axe et moyeu	Set mozzo e fusello
LOS214008	Shock Standoff Bushing	Kappen Stoßdämpfer-Standoff	Bague entretoise d'amortisseur	Boccola distanziale ammortizzatore
LOS214009	Rear Pivots & Bumper	Hintere Drehgelenke und Stoßstange	Pare-chocs et pivots arrière	Pivot posteriori e paraurti
LOS214010	Front Pivot & Bumper	Vorderes Drehgelenk und Stoßstange	Pare-chocs et pivot avant	Pivot anteriore e paraurti
LOS214012	Front/Rear Shock Tower, Wing Stay	Vordere/hintere Stoßdämpferbrücke, Kotflügelstütze	Tour d'amortisseur avant/arrière, dispositif de maintien d'aile	Supp. amm. ant./post., supp. alettone
LOS214013	Adjustable Link Set	Anpassbarer Verbindungssatz	Ensemble de liaisons ajustables	Set leveraggio regolabile
LOS214014	Rear Shock Springs (3 pair)	Hintere Stoßdämpferfedern (3)	Ressorts d'amortisseur arrière (3)	Molle ammortizzatori posteriori (3)
LOS214015	Front Shock Springs (3 pair)	Vordere Stoßdämpferfedern (3)	Ressorts d'amortisseur avant (3)	Molle ammortizzatori anteriori (3)
LOS214016	Rod End Set	Stangenkopfsatz	Ensemble d'embout de bielle	Kit teste a snodo
LOS214017	Rear Shock Springs (3pr)	Hintere Stoßdämpferfedern (3pr)	Ressorts d'amortisseur arrière (3 paires)	Molle amm. post. (3 pr)
LOS214018	Front Shock Springs (3pr)	Vordere Stoßdämpferfedern (3pr)	Ressorts d'amortisseur avant (3 paires)	Molle amm. ant. (3 pr)
LOS216002	Ball Stud (4)	Kugelzapfen (4)	Pivot à rotule (4)	Prigioniero a sfera (4)
LOS216003	Screw Set, Button Head	Schraubensatz, Rundkopf	Ensemble de vis, tête bombée	Set viti a testa tonda
LOS216004	Screw Set, Flat Head	Schraubensatz, Flachkopf	Ensemble de vis, tête plate	Set viti a testa piatta
LOS216005	King Pin Set	Sattelzapfensatz	Ensemble axe de pivotement	Set perni di fuso
LOS217001	4 x 7 x 2.5mm Ball Bearing (4)	4 x 7 x 2,5 mm Kugellager (4)	Roulement à billes 4 x 7 x 2,5 mm (4)	Cuscinetti a sfera 4x7x2,5 mm (4)

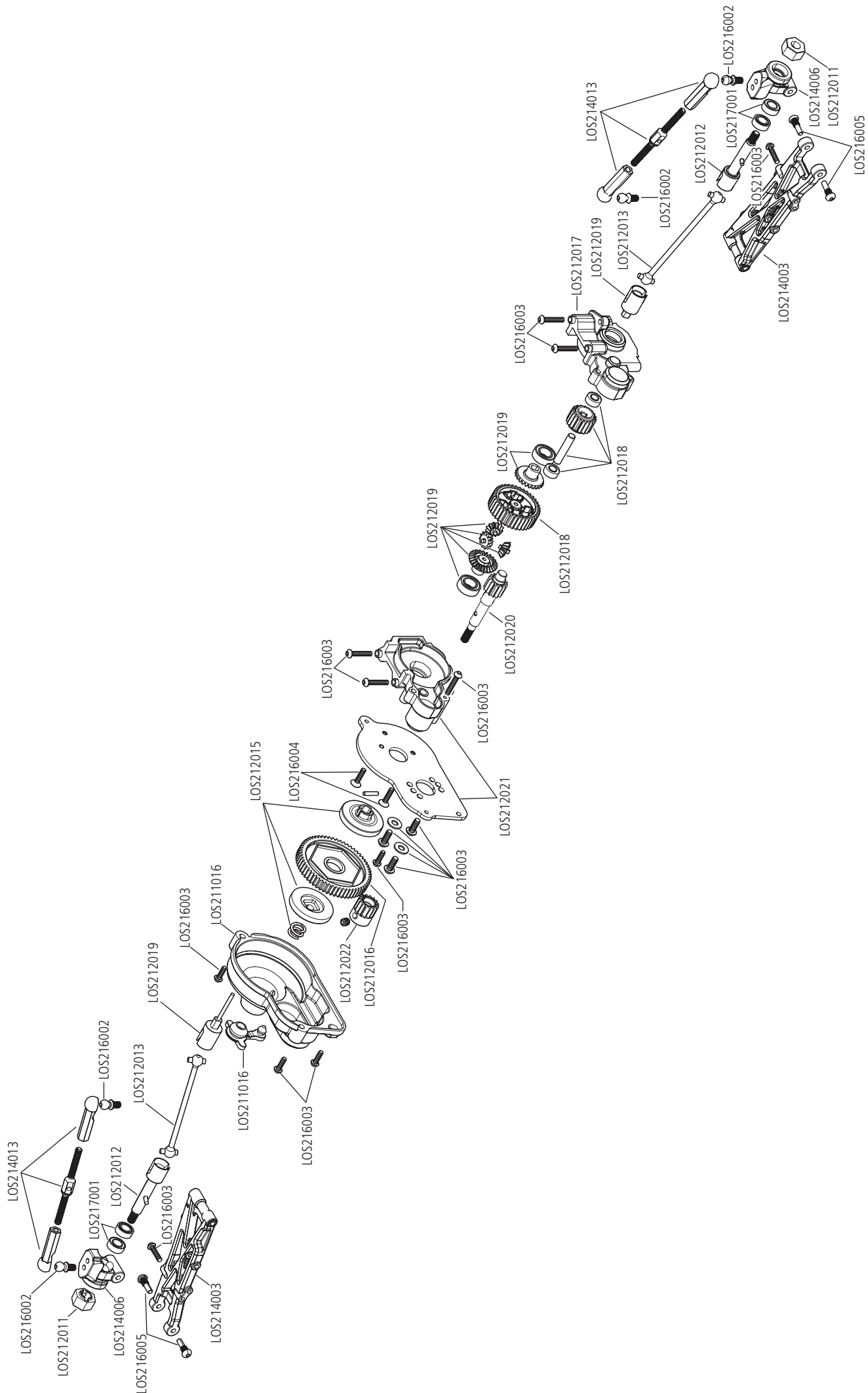
PART #	ENGLISH	DEUTSCH	FRANÇAIS	ITALIANO
LOS214016	Rod End Set	Stangenkopfsatz	Ensemble d'embout de bielle	Kit teste a snodo
LOS214017	Rear Shock Springs (3pr)	Hintere Stoßdämpferfedern (3pr)	Ressorts d'amortisseur arrière (3 paires)	Molle amm. post. (3 pr)
LOS214018	Front Shock Springs (3pr)	Vordere Stoßdämpferfedern (3pr)	Ressorts d'amortisseur avant (3 paires)	Molle amm. ant.(3 pr)
LOS41018	BK Bar, Rear Mounted, White (2)	BK-Stange, innen befestigt, weiß (2)	Barre BK, montée à l'arrière, blanche (2)	BK Bar, montaggio posteriore, bianco (2)

OPTIONAL PARTS | OPTIONALE BAUTEILE | PIÈCES OPTIONNELLES | PEZZI OPZIONALI

PART #	ENGLISH	DEUTSCH	FRANÇAIS	ITALIANO
DYNC2030	Prophet Sport Mini 50W Charger	Prophet Sport Mini 50 W Ladegerät	Chargeur 50 W Prophet Sport Mini	Caricabatterie Prophet Sport Mini 50 W
DYNT2010	Machined Nut Driver Set (4), Metric	Set gefräste Steckschlüssel (4), metrisch	Ensemble de tournevis à écrou usiné (4), métrique	Set di chiavi per dadi lavorate (4), metrico
DYNB825H2	7.4V 800mAh 2S 50C Hardcase LiPo	7.4V 800mAh 2S 50C Hartschale LiPo	Li-Po boîtier rigide 50C 2S 800 mAh 7,4 V	Batteria 7,4 V 800 mAh 2S 50C Hardcase Li-Po
DYNC0095	Adapter: EC2 Device/Banana Plug	Adapter: Adapter EC2-Gerät/ Bananen-Stecker	Adaptateur : dispositif EC2/fiche banane	Adattatore: dispositivo EC2/spina a banana
DYNS0501	Brushless Motor/ESC Combo: 6000Kv	Bürstenloser Motor/Combo-Geschwindig- keitsregler: 6000kv	Combinaison moteur sans balais/ESC : 6000 Kv	Combo motore Brushless/ESC: 6000 Kv
LOS210021	Body, Wing, Clear	Gehäuse, Tragfläche, farblos	Coque, aile, transparente	Carrozzeria, alettone, trasparente
LOS216001	Body Clips (6)	Gehäuseklappen (6)	Clips de carrosserie (6)	Clip carrozzeria (6)
LOS311001	Front Pivot, Aluminum	Vorderes Drehgelenk, Aluminium	Pivot avant, aluminium	Pivot anteriore, alluminio
LOS311002	Bellcrank Drag Link Aluminum	Umlenkhebel, Lenkzwischenstange Aluminium	Levier coudé barre de direction aluminium	Tirante squadretta alluminio
LOS311003	Caster Black, 0 Deg, L/R, Aluminum	Nachlauf schwarz, 0 Grad, links/rechts, Aluminium	Roulette noire, 0deg., gauche/droite, aluminium	Caster block, 0°, SX/DX, alluminio
LOS311005	Hub Set, Rear, Aluminum	Nabensatz, hinten, Aluminium	Ensemble moyeu, arrière, aluminium	Set mozzo, posteriore, alluminio
LOS311006	Pivot Block Set, Rear, Aluminum	Drehgelenksatz schwarz, hinten, Aluminium	Ensemble pivot noir, arrière, aluminium	Set pivot nero, posteriore, alluminio
LOS311007	Front Brace Set, Aluminum	Frontstrebenatz, Aluminium	Ensemble support avant, aluminium	Set bretella anteriore, alluminio
LOS311008	Servo Mount Set, Aluminum	Servohalterungssatz, Aluminium	Ensemble support de servo, aluminium	Set supporto servo, alluminio
LOS311009	Camber Black, Front, Aluminum	Radsturz schwarz, vorn, Aluminium	Carrossage noir, avant, aluminium	Blocco camber, anteriore, alluminio
LOS311010	Servo Arm, Aluminum	Servoarm, Aluminium	Bras de servo, aluminium	Squadretta servo, alluminio
LOS312004	Hex Set, Rear Axle, Aluminum	Sechskantsatz, Hinterachse, Aluminium	Ensemble écrou hexagonal, axe arrière, aluminium	Set hex, assale posteriore, alluminio
LOS312005	Adjustable Motor Plate	Verstellbare Motorplatte	Plaque de moteur ajustable	Piastra motore regolabile
LOS312007	Slipper Plate, HD	Gleiterplatte, HD	Plaque du sabot, ultrarésistante	Piastra di scorrimento, HD
LOS314004	Shock Assembly, Front, Aluminum (2)	Stoßdämpferbaugruppe, vorn, Aluminium (2)	Ensemble amortisseur, avant, aluminium (2)	Gruppo ammortizzatori, alluminio, anteriore (2)
LOS314005	Shock Assembly, Rear, Aluminum (2)	Stoßdämpferbaugruppe, hinten, Aluminium (2)	Ensemble amortisseur, arrière, aluminium (2)	Gruppo ammortizzatori, alluminio, posteriore (2)



EXPLODED VIEW | EXPLOSIONSZEICHNUNG | VUE ÉCLATÉE DES PIÈCES | VISTA ESPLOSA DELLE PARTI





WWW.LOSI.COM

MINI-B™