



## LED Light Kit Installation Instructions (fits #8010 bodies)

Covers Parts #8035, 8036

### #8035 Kit Contents:

- LED lighting module
- Distribution block
- Distribution block mount
- Left headlight harness assembly
- Right headlight harness assembly
- Rear marker light harness
- Rear tail light harness
- Jumper
- Extension harness (for use with optional accessories)
- Headlight lens (2)
- Headlight reflector (2)
- 2.6x8mm button-head screws (2)
- 2.5x15mm cap screws (2)
- Zip ties (10)

### #8036 Kit Contents:

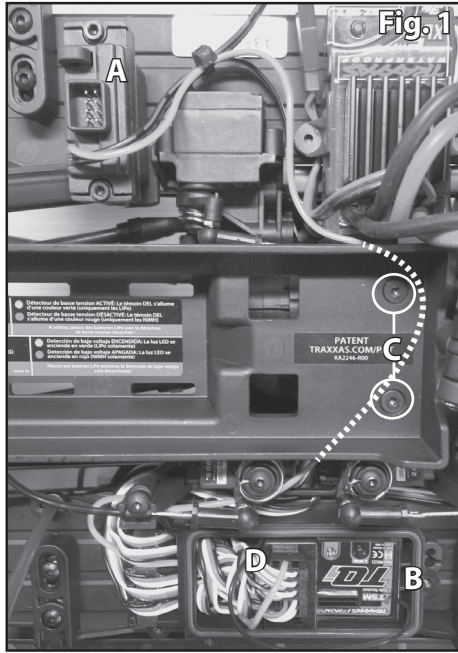
- Distribution block
- Distribution block mount
- Left headlight harness assembly
- Right headlight harness assembly
- Rear marker light harness
- Rear tail light harness
- Jumper
- Extension harness (for use with optional accessories)
- Headlight lens (2)
- Headlight reflector (2)
- 2.6x8mm button-head screws (2)
- Zip ties (10)

### Tools required:

- 2.0mm hex wrench
- 1.5mm hex wrench
- Side cutters (to trim zip ties)

### LED Lighting Module Installation (Fig. 1) (#8035 Kit only):

1. Install the LED lighting module (A) on the left chassis floor pan. Secure with the 2.5x15mm cap screws (2).
2. Remove the screws from the receiver box cover and wire clamp; remove the cover and clamp (B).
3. Remove the two 3x10mm countersunk cap screws from the battery tray (C).
4. Lift up the battery tray and route the red wire (male connector) from the LED lighting module to the right side of the chassis, between the two T-Lock servos, and through the hole in the receiver box. Plug the connector into channel 1 of the receiver (D). **Note:** The connector can be plugged into any non-telemetry channel on the TQi receiver.
5. Apply an additional bead of silicone grease (Traxxas part #1647, sold separately) to the wire clamp. The grease will improve sealing. Reinstall the clamp and screws.



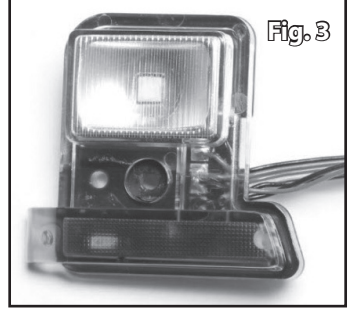
6. Make sure the o-ring is properly seated into the groove in the receiver box so that the cover will not pinch it or damage it in any way.
7. Install the cover and screws. Inspect the cover to make sure the o-ring seal is not visible.
8. Reinstall the screws in the battery tray.
9. Connect the black wire (red female connector) from the LED lighting module to the red wire (male connector) exiting the XL-5 HV electronic speed control.

### Front Grille Disassembly (Fig. 6)

1. Remove the six (6) front grille retainers (E) and front grille (F) from the body. Remove the headlight assemblies (G) from the grille (see Assembly Diagram, Fig. 6). Retain and reuse the plastic headlight mounts and all hardware.

### LED Headlight Installation (Fig. 6)

1. Install the chrome reflectors (2) onto the circuit boards of the LED headlight harnesses (H) (Fig. 2). **Note:** The reflectors must be installed correctly to sit flat against the circuit boards. Align the keying features (pegs on the reflectors with holes in the circuit boards). Also, there is a notch on the bottom side of the reflectors for clearance of the wires on the circuit boards.
2. Install the circuit boards into the existing plastic headlight mounts (G); then, install the new clear and orange painted lens over the chrome reflectors and onto the circuit boards (Fig. 3). **Note:** Align the keying features (pegs on the lens with holes in the circuit boards and headlight mounts).
3. Install complete left and right headlight assemblies into the front grille and secure with the 1.6x5mm button-head screw removed during disassembly.
4. Thread the connectors and wires through the slots in the body and reinstall the front grille and retainers using the 2.6x8mm button-head screws (6) removed during disassembly.
5. Snap the LED side marker lights into the receptacles near each headlight.

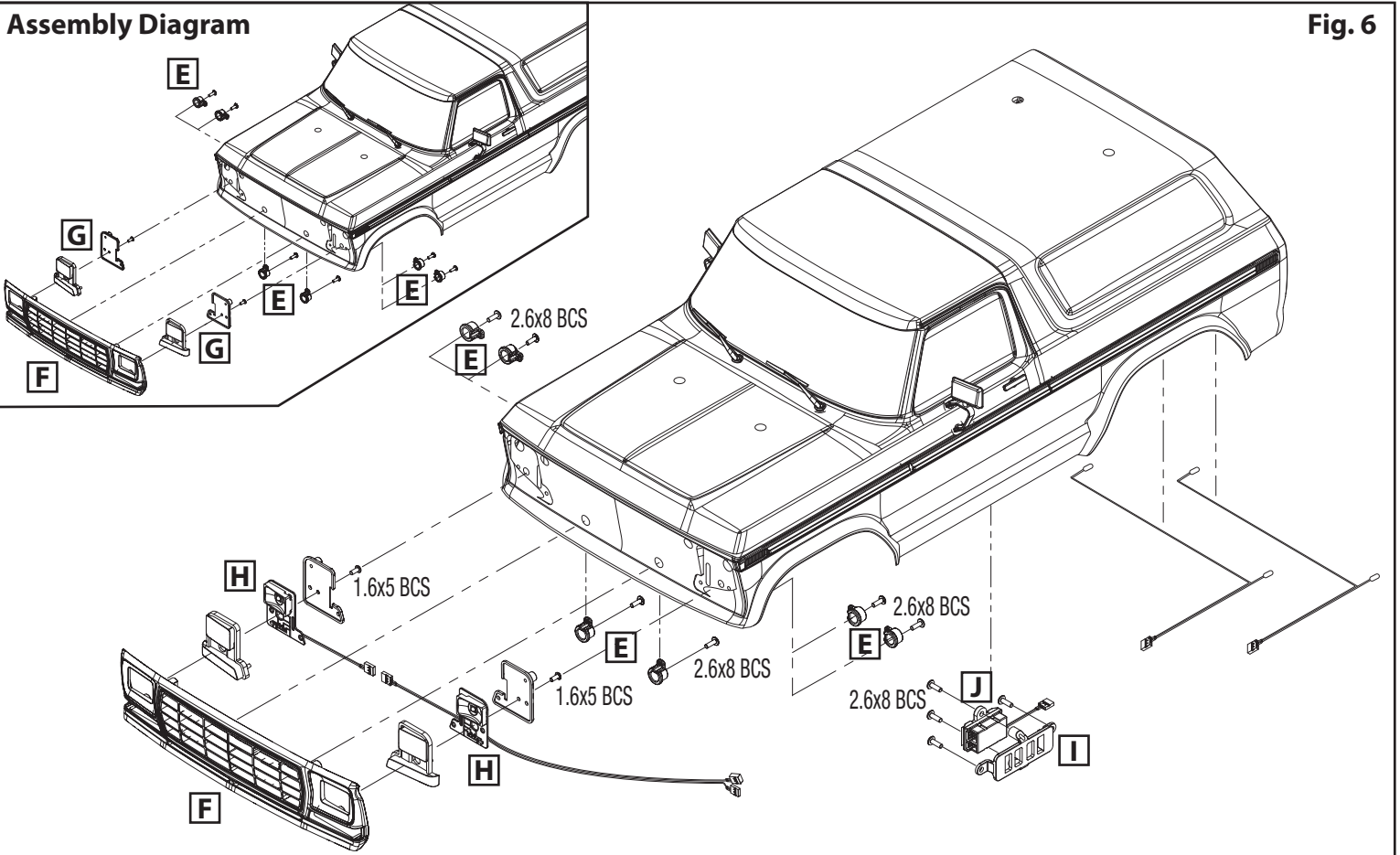


### LED Tail Light Installation

**Note:** The tail light LED light harnesses have a long and short wire lead. The short wire of each harness should be installed on the left side (driver side) of the vehicle body.

1. The rear side marker light harness has the smaller 3mm LEDs with the blue color band near the connector. Snap the rear side marker LEDs into the side marker light receptacles.
2. The tail light harness has the larger 5mm LEDs with the red color band near the connector. Snap the tail light LEDs into the tail light receptacles.

### Assembly Diagram

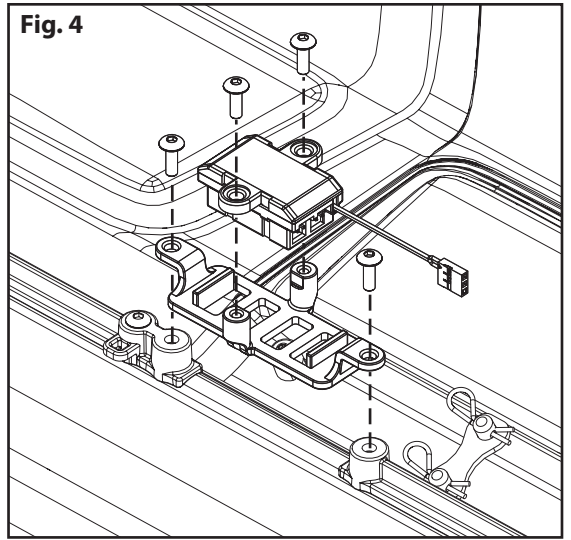


**Wire Routing (Fig. 7)**

When installing the LED light harnesses, note where the installation begins and ends in the Wiring Diagram (Fig. 7). Use zip ties to secure the wiring to the body in the locations provided. The zip ties do not need to be tight; allow some slack for wire movement.

**Distribution Block Installation**

1. Remove the 2.6x8mm button-head screws (2) from the side trim retainer. Install the distribution block mount (I) and secure with the 2.6x8 mm button-head screws (2) as shown in Fig. 4.
2. Plug the connectors from the LED light wire harnesses into the ports of the distribution block (J). Match the color band on the wire harnesses with the corresponding color of each port indicator on the distribution block (white for headlights, red for tail lights, blue for rear side marker lights).
3. Plug the included jumper into the green port of the distribution block as indicated (see Wiring Diagram, Fig. 7). **Note:** The jumper will allow the LED lights to go into full power (high beam) mode. The jumper is not required for the LED lights to function (the lights will remain in low power (low beam) mode if the jumper is not used). Also, a compatible roof LED lightbar accessory (part #8025) is available separately that will provide this same high beam/low beam option once it is connected to the yellow and green ports on the distribution block (requires use of the supplied extension harness).
4. Use the included 2.6x8mm button-head screws to secure the distribution block to the mount.



**Wiring Diagram**

**Fig. 7**

