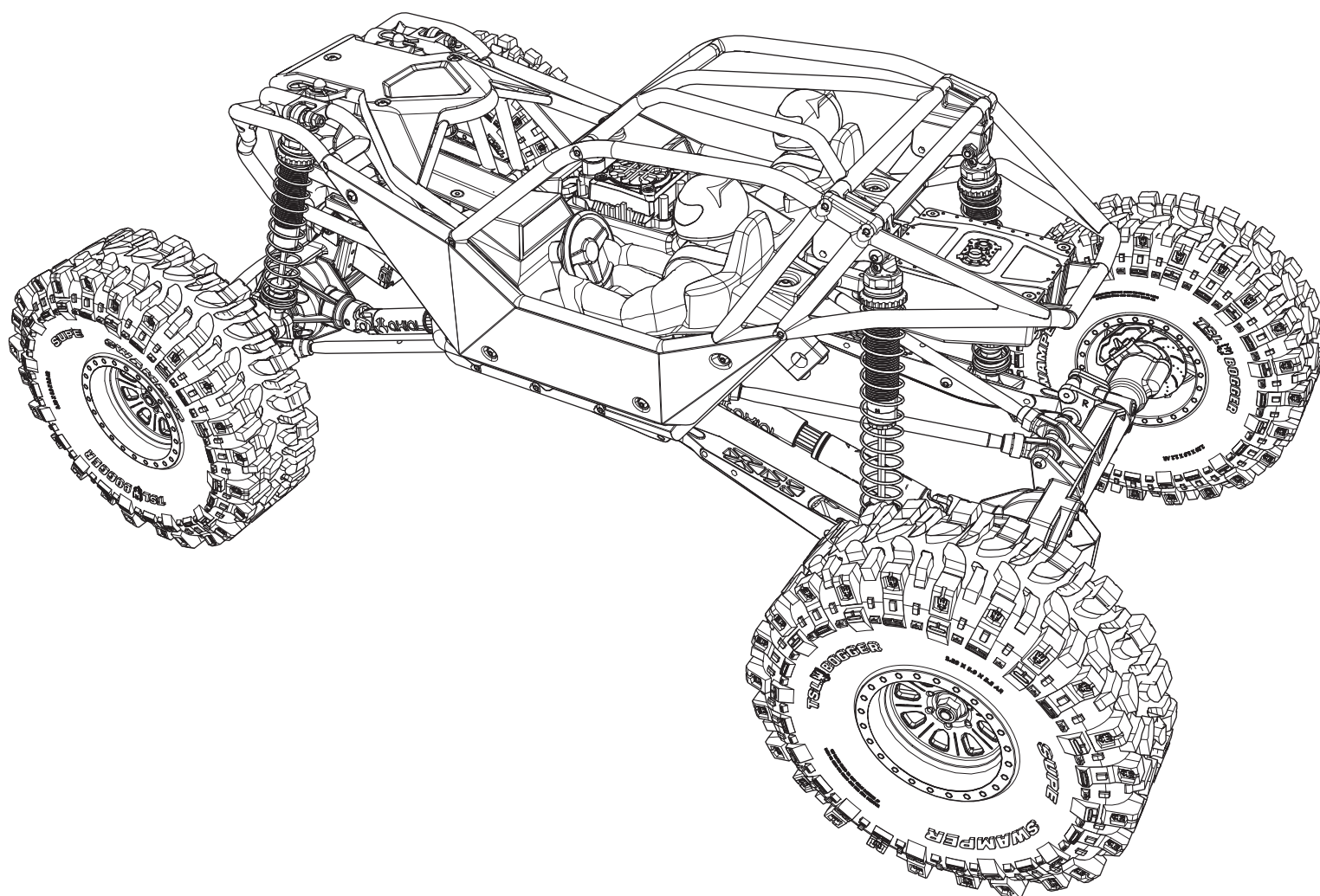


RYFT[™]

RBX10 1/10 Scale Rock Bouncer



**INSTRUCTION MANUAL
BEDIENUNGSANLEITUNG
MANUEL D'UTILISATION
MANUALE DI ISTRUZIONI**

Before operating this vehicle, please read all printed materials thoroughly.
Horizon Hobby is not responsible for inadvertent errors in this manual.

RTR
READY-TO-RUN

HORIZON[®]
H O B B Y

NOTICE

All instructions, warranties and other collateral documents are subject to change at the sole discretion of Horizon Hobby, LLC. For up-to-date product literature, visit www.horizonhobby.com or www.towerhobbies.com and click on the support or resources tab for this product.


MEANING OF SPECIAL LANGUAGE

The following terms are used throughout the product literature to indicate various levels of potential harm when operating this product:

WARNING: Procedures, which if not properly followed, create the probability of property damage, collateral damage, and serious injury OR create a high probability of superficial injury.

CAUTION: Procedures, which if not properly followed, create the probability of physical property damage AND a possibility of serious injury.

NOTICE: Procedures, which if not properly followed, create a possibility of physical property damage AND a little or no possibility of injury.

 **WARNING:** Read the ENTIRE instruction manual to become familiar with the features of the product before operating. Failure to operate the product correctly can result in damage to the product, personal property and cause serious injury.

This is a sophisticated hobby product. It must be operated with caution and common sense and requires some basic mechanical ability. Failure to operate this Product in a safe and responsible manner could result in injury or damage to the product or other property. This product is not intended for use by children without direct adult supervision. Do not use with incompatible components or alter this product in any way outside of the instructions provided by Horizon Hobby, LLC. This manual contains instructions for safety, operation and maintenance. It is essential to read and follow all the instructions and warnings in the manual, prior to assembly, setup or use, in order to operate correctly and avoid damage or serious injury.

Age Recommendation: Not for children under 14 years. This is not a toy.

SAFETY PRECAUTIONS AND WARNINGS

As the user of this product, you are solely responsible for operating in a manner that does not endanger yourself and others or result in damage to the product or property of others.

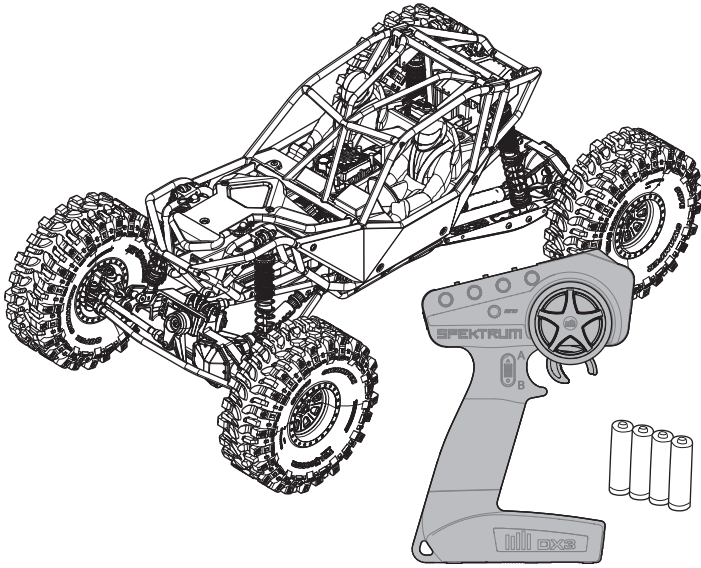
This model is controlled by a radio signal subject to interference from many sources outside your control. This interference can cause momentary loss of control, so it is advisable to always keep a safe distance in all directions around your model as this margin will help avoid collisions or injury.

- Never operate your model with low transmitter batteries.
- Always operate your model in open spaces away from full-size vehicles, traffic and people.
- Never operate the model in the street or in populated areas for any reason.
- Carefully follow the directions and warnings for this and any optional support equipment (chargers, rechargeable battery packs, etc.) you use.
- Keep all chemicals, small parts and anything electrical out of the reach of children.
- Never lick or place any portion of the model in your mouth as it could cause serious injury or even death.
- Exercise caution when using tools and sharp instruments.
- Take care during maintenance as some parts may have sharp edges.
- Immediately after using your model, do NOT touch equipment such as the motor, electronic speed control and battery, because they generate high temperatures. You may burn yourself seriously touching them.
- Do not put fingers or any objects inside rotating and moving parts, as this may cause damage or serious injury.
- Always turn on your transmitter before you turn on the receiver in the car. Always turn off the receiver before turning your transmitter off.
- Keep the wheels of the model off the ground when checking the operation of the radio equipment.

TABLE OF CONTENTS

Box Contents	3	Spektrum™ Firma™ SMART 130A Brushless ESC	7
Water-Resistant Vehicle With Waterproof Electronics	3	Specifications	7
General Precautions	3	ESC LED Status	7
Wet Conditions Maintenance	3	Audible Warning Tones	7
Quick Start	3	Esc Calibration Procedure	7
Components	3	Descriptions	8
Charging the Battery	4	ESC Programming Procedure	8
Installing the transmitter Batteries	4	Esc Functions And Modes	8
Transmitter Functions	4	Programming Table	8
SR6100AT AVC Technology Telemetry Receiver	5	Spektrum™ Firma™ 2200Kv 4-Pole Brushless Motor	9
Installing The Vehicle Battery	5	Precautions	9
Binding And Calibrating The Receiver	5	Gearing	9
Disabling AVC® Technology Stability Assist	5	Setting The Gear Mesh	9
Failsafe	5	Telemetry Settings	9
Aux channels	5	Troubleshooting Guide	9
Driving Precautions	6	Limited Warranty	10
Powering On The Vehicle	6	Warranty And Service Contact Information	10
Before Running Your Vehicle	6	FCC Information	11
AVC Sensitivity	6	IC Information	11
Run Time	6	Compliance Information For The European Union	11
To Improve Run Times	6	Replacement Parts	45
Performing A Control Direction Test	6	Recommended Parts	46
Changing The Travel Adjust Settings	7	Optional Parts	47
Vehicle Fluids	7	Exploded View	48

BOX CONTENTS



COMPONENTS

- Axial® Ryft™ Rock Bouncer 4WD RTR: 1/10-Scale (AXI03005)
- Spektrum™ SMART DX3, 2.4GHz Transmitter (SPM2340)
- Spektrum SR6100AT 6 Channel AVC® Telemetry Surface Receiver (SPMSR6100AT)
- Spektrum S614S 15KG, Steel Gear Waterproof Servo (SPMS614S)
- Spektrum Firma™ SMART 130A Brushless ESC (SPMXSE1130)
- Spektrum Firma 2200Kv 4-pole Brushless Motor (SPMXSM2700)
- 4 AA batteries (for transmitter)

WATER-RESISTANT VEHICLE WITH WATERPROOF ELECTRONICS

Your new Horizon Hobby vehicle has been designed and built with a combination of waterproof and water-resistant components to allow you to operate the product in many “wet conditions,” including puddles, creeks, wet grass, snow and even rain.

While the entire vehicle is highly water-resistant, it is not completely waterproof and your vehicle should NOT be treated like a submarine. The various electronic components used in the vehicle, such as the Electronic Speed Control (ESC), servo(s) and receiver are waterproof, however, most of the mechanical components are water-resistant and should not be submerged.

Metal parts, including the bearings, hinge pins, screws and nuts, as well as the contacts in the electrical cables, will be susceptible to corrosion if additional maintenance is not performed after running in wet conditions. To maximize the long-term performance of your vehicle and to keep the warranty intact, the procedures described in the “Wet Conditions Maintenance” section below must be performed regularly if you choose to run in wet conditions. If you are not willing to perform the additional care and maintenance required, then you should not operate the vehicle in those conditions.

CAUTION: Failure to exercise caution while using this product and complying with the following precautions could result in product malfunction and/or void the warranty.

GENERAL PRECAUTIONS

- Read through the wet conditions maintenance procedures and make sure that you have all the tools you will need to properly maintain your vehicle.
- Not all batteries can be used in wet conditions. Consult the battery manufacturer before use. Caution should be taken when using Li-Po batteries in wet conditions.
- Most transmitters are not water-resistant. Consult your transmitter’s manual or the manufacturer before operation.
- Never operate your transmitter or vehicle where lightning may be present.
- Do not operate your vehicle where it could come in contact with salt water (ocean water or water on salt-covered roads), contaminated or polluted water. Salt water is very conductive and highly corrosive, so use caution.

- Even minimal water contact can reduce the life of your motor if it has not been certified as water-resistant or waterproof. If the motor becomes excessively wet, apply very light throttle until the water is mostly removed from the motor. Running a wet motor at high speeds may rapidly damage the motor.
- Driving in wet conditions can reduce the life of the motor. The additional resistance of operating in water causes excess strain. Alter the gear ratio by using a smaller pinion or larger spur gear. This will increase torque (and motor life) when running in mud, deeper puddles, or any wet conditions that will increase the load on the motor for an extended period of time.

WET CONDITIONS MAINTENANCE

- Drain any water that has collected in the tires by spinning them at high speed. With the body removed, place the vehicle upside down and pull full throttle for a few short bursts until the water has been removed.

CAUTION: Always keep hands, fingers, tools and any loose or hanging objects away from rotating parts when performing the above drying technique.

- Remove the battery pack(s) and dry the contacts. If you have an air compressor or a can of compressed air, blow out any water that may be inside the recessed connector housing.
- Remove the tires/wheels from the vehicle and gently rinse the mud and dirt off with a garden hose. Avoid rinsing the bearings and transmission.

NOTICE: Never use a pressure washer to clean your vehicle.

- Use an air compressor or a can of compressed air to dry the vehicle and help remove any water that may have gotten into small crevices or corners.
- Spray the bearings, drive train, fasteners and other metal parts with a water-displacing light oil. Do not spray the motor.
- Let the vehicle air dry before you store it. Water (and oil) may continue to drip for a few hours.
- Increase the frequency of disassembly, inspection and lubrication of the following:
 - Front and rear axle hub assembly bearings.
 - All transmission cases, gears and differentials.
 - Motor—clean with an aerosol motor cleaner and re-oil the bushings with lightweight motor oil.

QUICK START

Please read the entire manual to gain a full understanding of the Axial Ryft RTR vehicle, fine-tuning the setup and performing maintenance.

1. Read the safety precautions found in this manual.
2. Charge a battery for the vehicle. Refer to the included charging warnings and instructions for battery charging information.
3. Install the AA batteries in the transmitter. Only use alkaline or rechargeable batteries.
4. Install the fully charged battery in the vehicle.
5. Power ON the transmitter and then the vehicle. Wait 5 seconds for the ESC to initialize. Always power the transmitter ON before the vehicle and power it OFF after the vehicle has been powered OFF.
6. Check the steering and throttle control directions. Verify that the servos are moving in the correct direction.
7. Drive your vehicle.
8. Perform any necessary maintenance.

CHARGING THE BATTERY

Choose a battery designed to work with the Spektrum™ Firma™ SMART 130A Brushless ESC (SPMXSE1130). We recommend the Spektrum 5000mAh 3S 11.1V 50C Smart LiPo Battery (SPMX50003S50H5) or the Spektrum 5000mAh 4S 14.8V 50C Smart LiPo Battery (SPMX50004S50H5) hardcase batteries with IC5® connector. Choose a charger designed to charge 3S and/or 4S Li-Po batteries.

We recommend the Spektrum SMART S1100 AC Charger, 1x100W (SPMXC1080). Refer to your battery and charger manuals for usage, safety, and charging information.

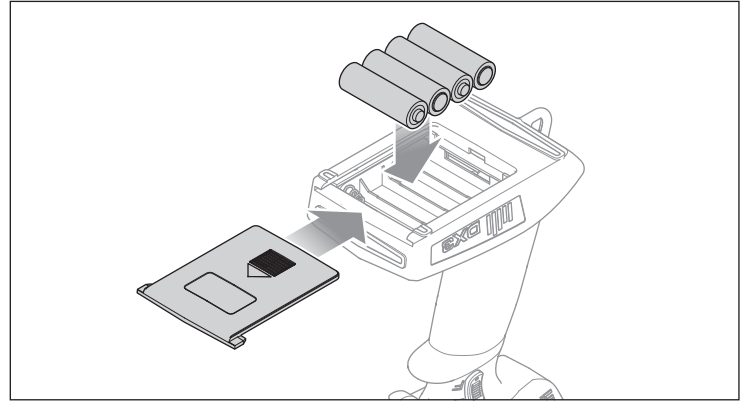
INSTALLING THE TRANSMITTER BATTERIES

This transmitter requires 4 AA batteries.

1. Remove the battery cover from the transmitter.
2. Install the batteries as shown.
3. Install the battery cover.

CAUTION: If using rechargeable batteries, charge only rechargeable batteries. Charging non-rechargeable batteries may cause the batteries to burst, resulting in injury to persons and/or damage to property.

CAUTION: Risk of explosion if battery is replaced by an incorrect type. Dispose of used batteries according to national regulations.



TRANSMITTER FUNCTIONS

A/B. CHANNEL 3 BUTTON

C. THROTTLE/BRAKE

D. STEERING WHEEL

E. STEERING RATE

Adjusts the end point of the steering

F. BRAKE RATE

Adjusts the braking end point.

G. STEERING TRIM

Adjusts the steering center point. Normally, the steering trim is adjusted until the vehicle tracks straight.

H. THROTTLE TRIM

Adjusts the throttle neutral point

I. SMART BATTERY LEVEL INDICATOR

J. SERVO REVERSING

To reverse the Throttle (TH) or Steering (ST) channel, switch the position of the correlating switch—"N" is for normal, "R" is for reverse.

K. THROTTLE LIMIT

Limits throttle output to 50/75/100%

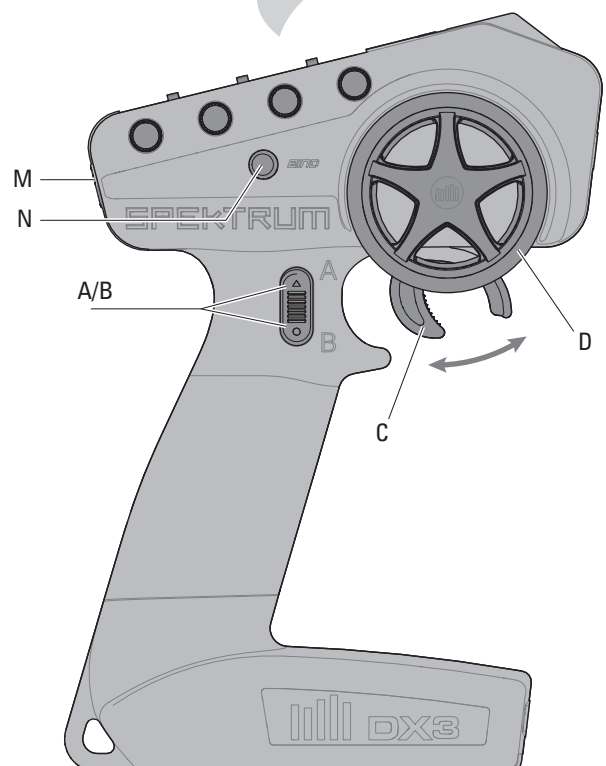
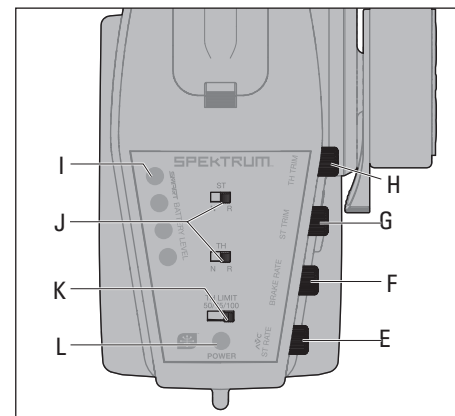
Select 50% or 75% for less experienced drivers or when you are driving the vehicle in a small area.

L. POWER LED

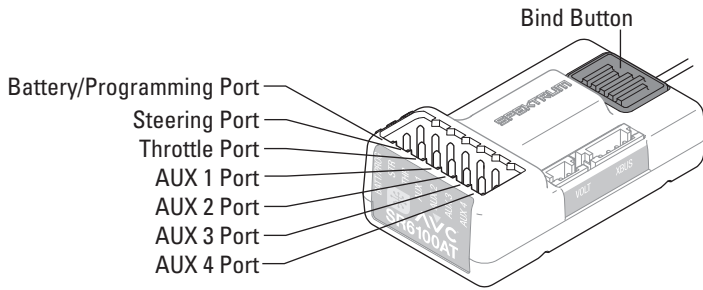
- **Solid red lights:** Indicates radio connectivity and adequate battery power
- **Flashing red lights:** Indicates the battery voltage is critically low. Replace batteries

M. POWER BUTTON

N. BIND BUTTON



SR6100AT AVC TECHNOLOGY TELEMTRY RECEIVER



AUX CHANNELS

The Aux channels can operate as additional servo channels, or as a power supply for a personal transponder.

If AVC is active, only 4 channels; Steering, Throttle, AUX3 and AUX4 are operational.

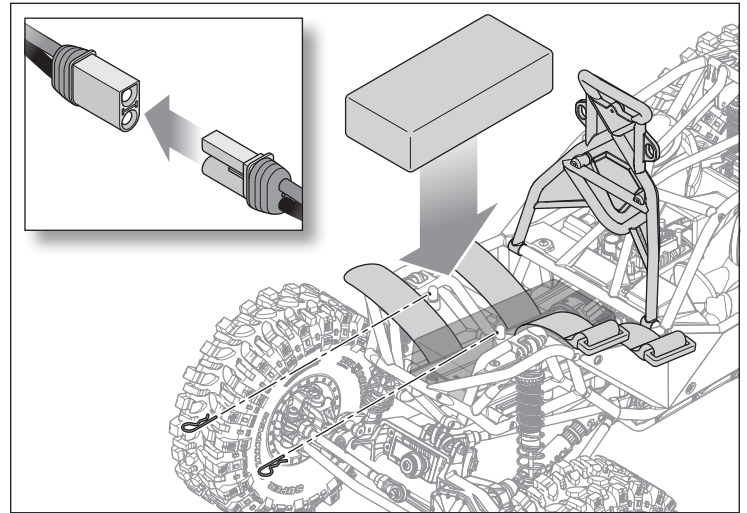
The remaining Aux channels can be used to power a personal transponder or lights.

If AVC is disabled (see **DISABLING AVC TECHNOLOGY STABILITY ASSIST FUNCTION**), all 6 channels including the Aux channels can operate as servo channels.

INSTALLING THE VEHICLE BATTERY

1. Ensure the ESC is powered OFF.
2. Remove the body clips and rotate the hood up.
3. Insert the battery into the battery tray.
4. Install the battery straps to hold the battery in place.
5. Connect the battery power lead to the ESC IC5 connector, noting proper polarity.
6. Power ON the transmitter, then the vehicle.
7. Rotate the body into place, and insert the body clips.

IMPORTANT: Secure the ESC wires so they do not interfere with any moving parts.



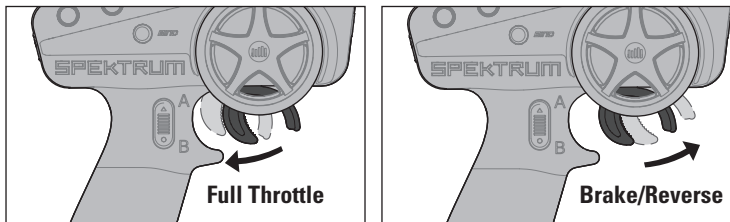
BINDING AND CALIBRATING THE RECEIVER

Binding is the process of linking the SR6100AT receiver to your Spektrum transmitter. The AVC features on the receiver can be enabled or disabled during the binding process.

IMPORTANT: You must calibrate the SR6100AT receiver each time it is placed in bind mode, regardless of AVC being enabled or disabled.

Upon initial setup after the first bind, the model must be configured for servo direction, trim and travel. Then the receiver must be rebound and calibrated to those settings for proper operation. Center the steering trim and throttle trim on the transmitter before beginning.

1. Press and hold the bind button on the receiver.
2. Power on the receiver. The orange LED flashes, indicating the receiver is in bind mode. Release the bind button after the orange LED illuminates.
3. Put your transmitter in bind mode. The bind process is complete when the orange LED on the receiver remains lit. The receiver is now bound to the transmitter but must be calibrated before it will operate.



4. Pull the transmitter trigger to full throttle, pause, then return the trigger to center.
5. Push the transmitter trigger to full brake, pause, then return the trigger to center.
6. Turn the transmitter steering wheel to full right, pause, then return the wheel to center.
7. Turn the transmitter steering wheel to full left, pause, then return the steering wheel to center. The orange LED flashes to confirm the settings have been accepted.
8. Turn off the vehicle to complete the binding and calibration process.



CAUTION: When the bind process is complete, the throttle and steering channels are active. Keep hands and loose objects away from all spinning parts on the vehicle.

IMPORTANT: You must rebind the transmitter and receiver if you:

- Change the servo reversing after binding
- Change the travel after binding
- Change the receiver mounting orientation

DISABLING AVC® TECHNOLOGY STABILITY ASSIST

If you participate in organized racing, you may be required to turn AVC technology off.

To turn off AVC technology:

1. Connect power to the receiver and quickly press and release the bind button three times (within 1.5 seconds).
2. Press and hold the bind button and to put the receiver in bind mode. release the buton when the LED starts to flash rapidly, indicating it is in bind mode.

When the AVC system has been disabled, the LED on the receiver will show three flashes upon power up, and then remain lit. The receiver is bound and operating normally when the LED remains illuminated.

TIP: If the AVC feature in the receiver is active and the AVC menu in the transmitter is Inhibited, AVC functions will default to the AUX 1 and AUX 2 operation, and in this scenario, AVC will not work correctly.

FAILSAFE

In the unlikely event that the radio link is lost during use, the receiver will drive the throttle channel to the neutral position. If the receiver is powered on prior to turning on the transmitter, the receiver will enter the failsafe mode, driving the throttle channel to the neutral position. When the transmitter is turned on, normal control is resumed.

IMPORTANT: Failsafe activates only in the event that signal is lost from the transmitter. Failsafe will NOT activate in the event that receiver battery power decreases below the recommended minimums or power to the receiver is lost.

DRIVING PRECAUTIONS

- Maintain sight of the vehicle at all times.
- Routinely inspect the vehicle for loose wheel hardware.
- Routinely inspect the steering assembly for any loose hardware. Driving the vehicle off-road can cause fasteners to loosen over time.
- Do not drive the vehicle in tall grass. Doing so can damage the vehicle or electronics.
- Stop driving the vehicle when you notice a lack of power. Driving the vehicle when the battery is discharged can cause the receiver to power off. If the receiver loses power, you will lose control of the vehicle. Damage due to an over-discharged Li-Po battery is not covered under warranty.

CAUTION: Do not discharge a Li-Po battery below 3V per cell. Batteries discharged to a voltage lower than the lowest approved voltage may become damaged, resulting in loss of performance and potential fire when batteries are charged.

- Do not apply forward or reverse throttle if the vehicle is stuck. Applying throttle in this instance can damage the motor or ESC.
- After driving the vehicle, allow the electronics to cool before driving the vehicle again.

IMPORTANT: Keep wires away from all moving parts.

POWERING ON THE VEHICLE

1. Center the ST TRIM and TH TRIM dials on the transmitter.
2. Power on the transmitter.
3. Install a fully charged battery pack per the Installing the Battery section.
4. Power on the ESC.

IMPORTANT: The vehicle MUST remain on a flat, level surface and motionless for at least 5 seconds.

BEFORE RUNNING YOUR VEHICLE

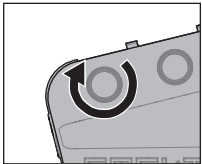
1. Check for free suspension movement. All suspension arms and steering components should move freely. Any binds will cause the vehicle to handle poorly.

TIP: To increase the ride height and ground clearance of your vehicle, screw down the shock collars to compress the springs.

2. Charge a battery pack. Always charge the battery pack as per the battery and/or charger manufacturers' instructions.
3. Set the transmitter steering trim. Follow the instructions to set the steering trim/subtrim so that the vehicle drives straight with no input to the steering.
4. Perform a Control Direction Test.

AVC SENSITIVITY

The ST RATE dial adjusts the sensitivity, or stability, value in the receiver. If you increase the sensitivity, the AVC® system becomes more sensitive to the vehicle drifting left or right. You would use maximum sensitivity during high speed driving or drag racing, when you want the vehicle to stay in a straight line.



Turn the ST RATE knob counter-clockwise to reduce the sensitivity.

Turn the ST RATE knob clockwise to increase the sensitivity.

IMPORTANT: The ST RATE knob will only adjust the sensitivity when the transmitter is bound to a DSMR® receiver. When the transmitter is bound to a DSM®, DSM2® or DSM Marine receiver, the ST RATE knob controls the steering dual rate.

RUN TIME

The largest factor in run time is the capacity of the battery pack. A larger mAh rating increases the amount of run time experienced.

The condition of a battery pack is also an important factor in both run time and speed.

The battery connectors may become hot during driving. Batteries will lose performance and capacity over time.

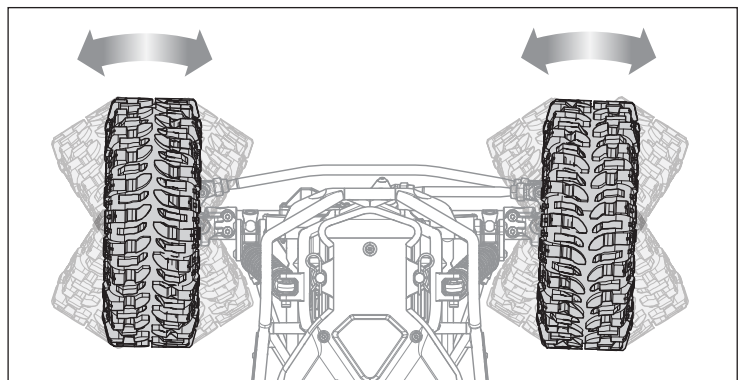
Driving the vehicle from a stop to full speed repeatedly will damage the batteries and electronics over time. Sudden acceleration will also lead to shorter run times.

TO IMPROVE RUN TIMES

- Keep your vehicle clean and well maintained.
- Allow more airflow to the ESC and motor.
- Change the gearing to a lower ratio. A lower ratio decreases the operating temperature of the electronics. Use a smaller pinion gear or larger spur gear to lower the gear ratio.
- Use a battery pack with a higher mAh rating.
- Use the optimum charger to charge battery packs (Visit your local hobby dealer for more information).

PERFORMING A CONTROL DIRECTION TEST

Perform a control test with the vehicle wheels off the ground. If the wheels rotate after the vehicle is powered ON, adjust the TH Trim knob until they stop. To make the wheels move forward, pull the trigger. To reverse them, wait for the wheels to stop, then push the trigger. When moving forward, the wheels should maintain a straight line without any steering wheel input. If not, adjust the ST Trim knob, so the wheels maintain a straight line without having to turn the steering wheel.



CHANGING THE TRAVEL ADJUST SETTINGS

Set the travel adjust settings with all four vehicle wheels off the ground. The throttle end point and brake end point adjustments will cause the wheels to spin at full speed. Have an assistant safely hold the vehicle securely while adjusting these settings.

CAUTION: Keep hands, hair and all loose clothing away from any moving parts, especially the wheels, while setting the travel adjust end points. Serious injury may result.

1. Hold the trigger in the full brake position and turn the steering wheel to full right while powering on the transmitter. The LED flashes rapidly, indicating programming mode is active.
2. Throttle End Point: Continue holding full throttle. Turn the TH TRIM knob to adjust the full throttle end point.

3. Brake End Point: Hold the trigger in the full brake position. Turn the TH TRIM knob to adjust the full brake end point. Return the trigger to the center position.
4. Left Steering End Point: Hold the steering wheel in the full left position. Turn the ST TRIM knob to adjust the left end point.
5. Right Steering End Point: Hold the steering wheel in the full right position. Turn the ST TRIM knob to adjust the right end point. Return the steering wheel to the center position.
6. Power off the transmitter to save the travel adjust settings. The minimum Travel is 75%, and the Maximum travel is 150%.

IMPORTANT: If the travel is changed on the DX3, you must rebind and calibrate the SRS6100AT.

VEHICLE FLUIDS

The Axial Ryft comes from the factory with the following lubricants:

Shock Oil	30 wt
Differential Fluid	1,000,000 wt
Transmission Gears	Hi Pressure Black Grease

SPEKTRUM™ FIRMA™ SMART 130A BRUSHLESS ESC

SPECIFICATIONS

Type	Sensorless, SMART Throttle Compatible
Output	130A/760A
Function	Forward/Brake-Forward/Brake Reverse
Input Voltage	7.4V-14.8V
BEC Output	6V/4A
Dimensions (LxWxH)	57.5mm x 46mm x 38mm
Weight	154 g

ESC LED STATUS

- No ESC LEDs will glow when there is no throttle input from the transmitter.
- The red ESC LED glows when there is any throttle input from the transmitter.

AUDIBLE WARNING TONES

1. **Input Voltage:** The ESC checks the input voltage when it is powered ON. If a voltage problem is detected, the ESC continuously sounds 2 beeps with a 1 second pause (xx-xx-xx). Power OFF the ESC and ensure the connections are secure and that the battery power is not too low for safe operation.
2. **Radio Connection:** The ESC checks radio signal input when it is powered ON. If a problem is detected, the ESC continuously sounds 1 beep with a 2 second pause (x--x--x). Power OFF the ESC and ensure the radio system is operating correctly.

NOTICE: Always disconnect the battery from the ESC after operating your vehicle. The ESC's switch only controls power to the receiver and servos. The ESC will continue to draw current when connected to the battery, resulting in possible damage to the battery through over discharge.

ESC CALIBRATION PROCEDURE

Complete the transmitter/receiver binding procedure prior to calibrating the ESC.

1. Set the transmitter throttle channel to 100% travel and center the throttle trim.
 2. Connect a battery to the ESC battery lead.
 3. Power on the transmitter.
 4. Press and hold the SET button while turning on the ESC. Release the SET button when the red LED begins to flash, indicating the ESC is in calibration mode. The ESC will enter programming mode if the button is held for more than three seconds.
- TIP:** The red LED should be flashing when the ESC enters calibration mode. If the green LED is flashing the ESC has entered programming mode. Power off the ESC and repeat step 4, releasing the SET button when the red LED begins to flash.
5. With the transmitter throttle trigger at the neutral position, press and release the ESC SET button. The red LED will stop flashing, the green LED will flash one time and the motor will make a tone to indicate the neutral position has been accepted.
 6. While holding the throttle trigger at the full throttle position, press and release the ESC SET button. The green LED will flash twice and the motor will make two tones to indicate the full throttle position has been accepted.
 7. While holding the throttle trigger at the full brake position, press and release the SET button. The green LED will flash three times and the motor will make three tones to indicate the full brake position has been accepted.

The motor will operate normally after calibration is completed.

ESC FUNCTIONS AND MODES

The ESC includes programming options so you can adjust the way your vehicle performs. Refer to the included programming table to adjust the ESC for your driving conditions.

PROGRAMMING TABLE

■ Default Settings

Programming Items	Programming Value								
	1	2	3	4	5	6	7	8	9
1. Running Mode	Forward w/ brake	Forward/Reverse w/ brake	Forward/Reverse						
2. Drag Brake Force	0%	5%	10%	20%	40%	60%	80%	100%	
3. Low Voltage Cutoff	non-protection	2.6V/Cell	2.8V/Cell	3.0V/Cell	3.2V/Cell	3.4V/Cell			
4. Start Mode	Level 1	Level 2	Level 3	Level 4	Level 5	Level 6	Level 7	Level 8	Level 9
5. Max Brake Force	25%	50%	75%	100%	disable				
6. Max Reverse Force	25%	50%	75%	100%					
7. Initial Brake Force	= Drag Brake	0%	20%	40%					
8. Neutral Range	6% (Narrow)	9% (Normal)	12% (Wide)						
9. Timing	0.00°	3.75°	7.50°	11.25°	15.00°	18.75°	22.50°	26.25°	
10. Motor Rotation	Counterclockwise	Clockwise							
11. Li-Po Cells	Auto Calculate	2 Cells	3 Cells	4 Cells	5 Cells	6 Cells			

DESCRIPTIONS

1. Running Mode

Forward Only with Brake

Intended for competition use, this mode allows only forward and brake controls.

Forward/Reverse with Brake

This mode is the basic all-around mode, allowing forward, reverse and brake controls. To engage reverse while moving forward, apply the brake until the vehicle has come to a complete stop, release brake, then apply the brake again. While braking or in reverse, engaging the throttle will result in the vehicle immediately accelerating forward.

2. Drag Brake Force

Adjusts the amount of brake automatically applied when the throttle is returned to the neutral position. This simulates the engine braking effect of a full-scale vehicle, allowing improved turn-in and your vehicle's general response to controls.

3. Low Voltage Cutoff

This function helps to prevent battery over-discharge. The ESC continuously monitors the battery's voltage. If the voltage falls below the voltage threshold for 2 seconds, the output power shuts off and the red LED flashes twice repeatedly.

The cutoff threshold calculation is based on individual Li-Po cell voltage. For Ni-MH batteries, if the voltage battery pack is higher than 9.0V, it will be treated as a 3-cell Li-Po battery pack; if it is lower than 9.0V, it will be treated as a 2-cell Li-Po battery pack. Example: for a 8.0V Ni-MH battery pack used with a 2.6V/cell threshold, it will be treated as a 2-cell Li-Po battery pack and the low-voltage cut-off threshold will be 5.2V (2.6x2=5.2).

4. Start Mode (Punch)

Sets the initial throttle punch when the car accelerates. Level 1 gives a very soft initial acceleration and level 4 gives a stronger initial acceleration.

5. Max Brake Force

Adjusts the maximum braking force. A higher value provides stronger braking, but can also cause the wheels to lock, resulting in loss of control of the car.

6. Max Reverse Force

This parameter adjusts the maximum power when travelling in reverse.

7. Initial Brake Force (minimum brake)

Adjusts the minimum amount of braking power when the brakes engage. The default value is equal to the drag brake value. A high value can lock the wheels when the brake is used.

8. Neutral Range

Adjusts the throttle sensitivity around the neutral point. A higher value results in the throttle having to be moved more for the vehicle to move forward, backward or brake.

9. Timing

Adjusts the motor drive current timing. More timing gives more performance, but can lower efficiency and cause damage to the motor and/or ESC by overload or overheating.

NOTICE: Always ensure the motor timing is set correctly. Failure to set the motor timing correctly can result in damage to the motor and ESC. Refer to the manufacturer instructions for recommended timing settings.

10. Motor Type

11. Motor Rotation

Allows you to make this change in the ESC so no wires need to be changed between the ESC and the motor.

12. Li-Po Cells

Allows the ESC to automatically detect or manually set the number of cells in your Li-Po battery back.

ESC PROGRAMMING PROCEDURE

Programming is accomplished using the SET button on the ON/OFF switch*.

1. Connect a fully charged battery to the ESC.
2. Power on the transmitter.
3. Power on the ESC.
4. Hold the SET button until the green LED flashes. Release the set button to enter programming mode.

TIP: To reset all programming items to the default values, press and hold the set button for five seconds

5. Press and release the set button as needed to cycle through the programming items. The number of times the green LED flashes equals the programming item number given in the programming table

6. When at the desired programming item, press and hold the set button until the red LED flashes to select the item.
7. Press and release the SET button to cycle through the values available for the programming item based on the number of times the LED flashes. Refer to the programming table.
8. Save the setting by pressing and holding the SET button for 3 seconds.
9. Power off the ESC to exit programming mode or to change other programming items.

* Other programming options include the Spektrum SMART Firma ESC Programming Box (SPMXCA200) and the SmartLink USB updating and programmer application. See SpektrumRC.com for more details about Spektrum SMART Firma ESCs.

SPEKTRUM™ FIRMA™ 2200Kv 4-POLE BRUSHLESS MOTOR

PRECAUTIONS

- Never touch moving parts.
- Never disassemble while the batteries are installed.
- Always let parts cool before touching.

GEARING

Your vehicle has been equipped with the optimal gearing installed for the use of a 3 or 4S battery. It offers an ideal balance between speed, power and efficiency.

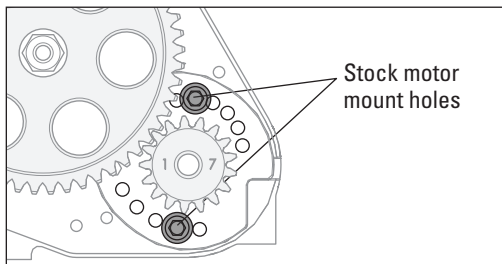
Installing a pinion gear with fewer teeth or a spur gear with more teeth will provide greater torque but will reduce top speed. Likewise, a pinion gear with more teeth or a spur gear with fewer teeth will reduce torque and increase top speed. Care should be taken when installing larger pinion gears as this can "overgear" the vehicle, resulting in overheating of the motor and ESC. When testing different gearing options, pay close attention to the temperature of the motor and speed control to ensure you are operating within the temperature range of the components. The motor or ESC should never be so hot that it cannot be touched. If temperatures are too hot, a different gearing combination with a lower pinion gear and/or higher spur gear is suggested.

SETTING THE GEAR MESH

Proper gear mesh (how gear teeth meet) is important to the performance of the vehicle. When the gear mesh is too loose, the spur gear could be damaged by the pinion gear of the motor. If the mesh is too tight, speed could be limited and the motor and ESC will overheat.

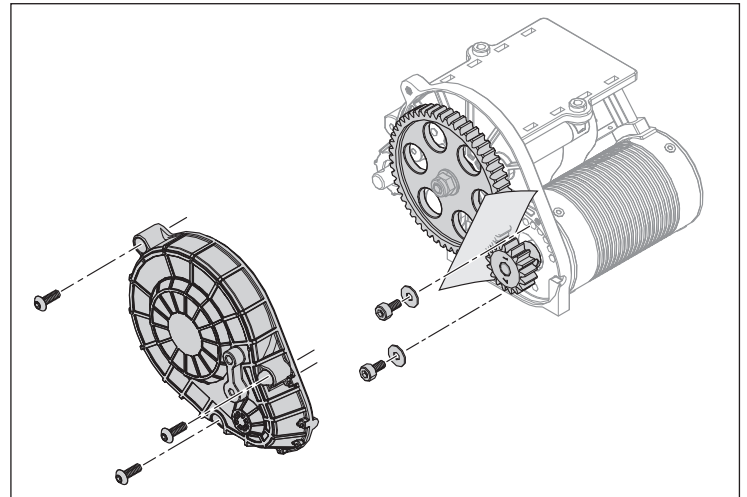
The pinion gear setscrew can be accessed by rotating the motor until the setscrew lines up with the notch in the side of the motor mount.

The gear mesh has already been set at the factory and is adjusted by rotating the motor mounting screw hole locations. When using the stock pinion and spur gear sizes, the motor mounting screws should be in the mounting holes shown in the illustration to maintain proper gear mesh.



Adjusting the gear mesh is only necessary when changing gears.

1. Remove the right body side panel.
2. Remove the gear cover.
3. Remove the two screws holding the motor to the mount.
4. With your chosen gear installed on the motor shaft, select the pair of motor mounting holes which allow for the tightest gear mesh without having to force the gears together or forcing the motor holes to line up with the mount.
5. Install the two motor mounting screws and washers. There should be just enough space between the pinion and spur gears that a small piece of paper can be rotated between the gears easily. If the paper is difficult to rotate into the gears, remove the mounting screws and rotate the motor to the next set of mounting holes. Re-install the mounting screws.



6. Remove the paper. Check the mesh at 3–5 different locations around the spur gear for a small amount of movement.
7. Install the gear cover.

TELEMETRY SETTINGS

If using the Spektrum Dashboard app or the optional speedometer module on your transmitter, set the motor pole count to 4 and the rollout distance to 1.57" (39.9mm).

TROUBLESHOOTING GUIDE

Problem	Possible Cause	Solution
Vehicle does not operate	Battery not charged or plugged in	Charge battery/plug in
	ESC switch not "On"	Turn on ESC switch
	Transmitter not "On" or low battery	Turn on/replace batteries
Motor runs but wheels do not rotate	Pinion not meshing with spur gear	Adjust pinion/spur mesh
	Pinion spinning on motor shaft	Tighten pinion gear setscrew on motor shaft flat spot
	Transmission gears stripped	Replace transmission gears
	Drive pin broken	Check and replace drive pin
Steering does not work	Servo plug not in receiver properly	Make sure the steering servo plug is connected to the receiver steering channel, noting proper polarity
	Servo gears or motor damaged	Replace or repair servo
Will not turn one direction	Servo gears damaged	Replace or repair servo
Motor does not run	Motor wire solder joint is damaged	Resolder the motor wire with the proper equipment
	Motor wire broken	Repair or replace as needed
	ESC damaged	Contact Horizon Hobby Product Support
ESC gets hot	Motor over-geared	Use smaller pinion or larger spur gear
	Driveline bound up	Check wheels and transmission for binding
Poor run time and/or sluggish acceleration	Battery pack not fully charged	Recharge battery
	Charger not allowing full charge	Try another charger
	Driveline bound up	Check wheels, transmission for binding
Poor range and/or glitching	Transmitter batteries low	Check and replace
	Vehicle battery low	Recharge battery
	Loose plugs or wires	Check all wire connections and plugs

LIMITED WARRANTY

What this Warranty Covers

Horizon Hobby, LLC, (Horizon) warrants to the original purchaser that the product purchased (the "Product") will be free from defects in materials and workmanship for a period of 2 years from the date of purchase.

What is Not Covered

This warranty is not transferable and does not cover (i) cosmetic damage, (ii) damage due to acts of God, accident, misuse, abuse, negligence, commercial use, or due to improper use, installation, operation or maintenance, (iii) modification of or to any part of the Product, (iv) attempted service by anyone other than a Horizon Hobby authorized service center, (v) Product not purchased from an authorized Horizon dealer, or (vi) Product not compliant with applicable technical regulations or (vii) use that violates any applicable laws, rules, or regulations.

OTHER THAN THE EXPRESS WARRANTY ABOVE, HORIZON MAKES NO OTHER WARRANTY OR REPRESENTATION, AND HEREBY DISCLAIMS ANY AND ALL IMPLIED WARRANTIES, INCLUDING, WITHOUT LIMITATION, THE IMPLIED WARRANTIES OF NON-INFRINGEMENT, MERCHANTABILITY AND FITNESS FOR A PARTICULAR PURPOSE. THE PURCHASER ACKNOWLEDGES THAT THEY ALONE HAVE DETERMINED THAT THE PRODUCT WILL SUITABLY MEET THE REQUIREMENTS OF THE PURCHASER'S INTENDED USE.

Purchaser's Remedy

Horizon's sole obligation and purchaser's sole and exclusive remedy shall be that Horizon will, at its option, either (i) service, or (ii) replace, any Product determined by Horizon to be defective. Horizon reserves the right to inspect any and all Product(s) involved in a warranty claim. Service or replacement decisions are at the sole discretion of Horizon. Proof of purchase is required for all warranty claims. SERVICE OR REPLACEMENT AS PROVIDED UNDER THIS WARRANTY IS THE PURCHASER'S SOLE AND EXCLUSIVE REMEDY.

Limitation of Liability

HORIZON SHALL NOT BE LIABLE FOR SPECIAL, INDIRECT, INCIDENTAL OR CONSEQUENTIAL DAMAGES, LOSS OF PROFITS OR PRODUCTION OR COMMERCIAL LOSS IN ANY WAY, REGARDLESS OF WHETHER SUCH CLAIM IS BASED IN CONTRACT, WARRANTY, TORT, NEGLIGENCE, STRICT LIABILITY OR ANY OTHER THEORY OF LIABILITY, EVEN IF HORIZON HAS BEEN ADVISED OF THE POSSIBILITY OF SUCH DAMAGES. Further, in no event shall the liability of Horizon exceed the individual price of the Product on which liability is asserted. As Horizon has no control over use, setup, final assembly, modification or misuse, no liability shall be assumed nor accepted for any resulting damage or injury. By the act of use, setup or assembly, the user accepts all resulting liability. If you as the purchaser or user are not prepared to accept the liability associated with the use of the Product, purchaser is advised to return the Product immediately in new and unused condition to the place of purchase.

Law

These terms are governed by Illinois law (without regard to conflict of law principals). This warranty gives you specific legal rights, and you may also have other rights which vary from state to state. Horizon reserves the right to change or modify this warranty at any time without notice.

Warranty Services

Questions, Assistance, and Services

Your local hobby store and/or place of purchase cannot provide warranty support or service. Once assembly, setup or use of the Product has been started, you must contact your local distributor or Horizon directly. This will

enable Horizon to better answer your questions and service you in the event that you may need any assistance. For questions or assistance, please visit our website at www.horizonhobby.com, submit a Product Support Inquiry, or call the toll free telephone number referenced in the Warranty and Service Contact Information section to speak with a Product Support representative.

Inspection or Services

If this Product needs to be inspected or serviced and is compliant in the country you live and use the Product in, please use the Horizon Online Service Request submission process found on our website or call Horizon to obtain a Return Merchandise Authorization (RMA) number. Pack the Product securely using a shipping carton. Please note that original boxes may be included, but are not designed to withstand the rigors of shipping without additional protection. Ship via a carrier that provides tracking and insurance for lost or damaged parcels, as Horizon is not responsible for merchandise until it arrives and is accepted at our facility. An Online Service Request is available at http://www.horizonhobby.com/content/service-center_render-service-center. If you do not have internet access, please contact Horizon Product Support to obtain a RMA number along with instructions for submitting your product for service. When calling Horizon, you will be asked to provide your complete name, street address, email address and phone number where you can be reached during business hours. When sending product into Horizon, please include your RMA number, a list of the included items, and a brief summary of the problem. A copy of your original sales receipt must be included for warranty consideration. Be sure your name, address, and RMA number are clearly written on the outside of the shipping carton.

NOTICE: Do not ship Li-Po batteries to Horizon. If you have any issue with a Li-Po battery, please contact the appropriate Horizon Product Support office.

Warranty Requirements

For Warranty consideration, you must include your original sales receipt verifying the proof-of-purchase date. Provided warranty conditions have been met, your Product will be serviced or replaced free of charge. Service or replacement decisions are at the sole discretion of Horizon.

Non-Warranty Service

Should your service not be covered by warranty, service will be completed and payment will be required without notification or estimate of the expense unless the expense exceeds 50% of the retail purchase cost. By submitting the item for service you are agreeing to payment of the service without notification. Service estimates are available upon request. You must include this request with your item submitted for service. Non-warranty service estimates will be billed a minimum of ½ hour of labor. In addition you will be billed for return freight. Horizon accepts money orders and cashier's checks, as well as Visa, MasterCard, American Express, and Discover cards. By submitting any item to Horizon for service, you are agreeing to Horizon's Terms and Conditions found on our website http://www.horizonhobby.com/content/service-center_render-service-center.

ATTENTION: Horizon service is limited to Product compliant in the country of use and ownership. If received, a non-compliant Product will not be serviced. Further, the sender will be responsible for arranging return shipment of the un-serviced Product, through a carrier of the sender's choice and at the sender's expense. Horizon will hold non-compliant Product for a period of 60 days from notification, after which it will be discarded.

10/15

WARRANTY AND SERVICE CONTACT INFORMATION

Country of Purchase	Horizon Hobby	Contact Information	Address
United States of America	Horizon Service Center (Repairs and Repair Requests)	servicecenter.horizonhobby.com/RequestForm/	2904 Research Rd. Champaign, Illinois, 61822 USA
	Horizon Product Support (Product Technical Assistance)	productsupport@horizonhobby.com 877-504-0233	
	Sales	websales@horizonhobby.com 800-338-4639	
European Union	Horizon Technischer Service	service@horizonhobby.eu	Hanskampring 9 D 22885 Barsbüttel, Germany
	Sales: Horizon Hobby GmbH	+49 (0) 4121 2655 100	


FCC INFORMATION


Contains FCC ID: BRWKATY1T
FCC ID: BRWSR6100A

This equipment complies with FCC and IC radiation exposure limits set forth for an uncontrolled environment. This equipment should be installed and operated with minimum distance 20cm between the radiator and/or antenna and your body (excluding fingers, hands, wrists, ankles and feet). This transmitter must not be co-located or operating in conjunction with any other antenna or transmitter.

SUPPLIER'S DECLARATION OF CONFORMITY

Axial RBX10 Ryft Rock Bouncer RTR (AXI03005)

 This device complies with part 15 of the FCC Rules. Operation is subject to the following two conditions: (1) This device may not cause harmful interference, and (2) this device must accept any interference received, including interference that may cause undesired operation.

 **CAUTION:** Changes or modifications not expressly approved by the party responsible for compliance could void the user's authority to operate the equipment.

NOTE: This equipment has been tested and found to comply with the limits for a Class B digital device, pursuant to part 15 of the FCC Rules. These limits are designed to provide reasonable protection against

harmful interference in a residential installation. This equipment generates, uses and can radiate radio frequency energy and, if not installed and used in accordance with the instructions, may cause harmful interference to radio communications. However, there is no guarantee that interference will not occur in a particular installation. If this equipment does cause harmful interference to radio or television reception, which can be determined by turning the equipment off and on, the user is encouraged to try to correct the interference by one or more of the following measures:

- Reorient or relocate the receiving antenna.
- Increase the separation between the equipment and receiver.
- Connect the equipment into an outlet on a circuit different from that to which the receiver is connected.
- Consult the dealer or an experienced radio/TV technician for help.

Horizon Hobby, LLC
2904 Research Rd.,
Champaign, IL 61822
Email: compliance@horizonhobby.com
Web: HorizonHobby.com


IC INFORMATION

CAN ICES-3 (B)/NMB-3(B)
Contains IC: 6157A-KATY1T
IC: 6157A-SR6100AT

This device contains license-exempt transmitter(s)/receivers(s) that comply with Innovation, Science, and Economic Development Canada's license-exempt RSS(s). Operation is subject to the following 2 conditions:

1. This device may not cause interference.
2. This device must accept any interference, including interference that may cause undesired operation of the device.

COMPLIANCE INFORMATION FOR THE EUROPEAN UNION

 **EU COMPLIANCE STATEMENT:**

Axial RBX10 Ryft Rock Bouncer RTR (AXI03005); Hereby, Horizon Hobby, LLC declares that the device is in compliance with the following: EU Radio Equipment Directive 2014/53/EU; RoHS 2 Directive 2011/65/EU; RoHS 3 Directive - Amending 2011/65/EU Annex II 2015/863.

The full text of the EU declaration of conformity is available at the following internet address: <https://www.horizonhobby.com/content/support-render-compliance>.

NOTE: This product contains batteries that are covered under the 2006/66/EC European Directive, which cannot be disposed of with normal household waste. Please follow local regulations.

Wireless Frequency Range and Wireless Output Power:

Transmitter
2402 – 2478 MHz
17.5dBm

Receiver
2405 – 2478 MHz
19.39dBm

EU Manufacturer of Record:

Horizon Hobby, LLC
2904 Research Road
Champaign, IL 61822 USA

EU Importer of Record:

Horizon Hobby, GmbH
Hanskampring 9
22885 Barsbüttel Germany

WEEE NOTICE:



This appliance is labeled in accordance with European Directive 2012/19/EU concerning waste of electrical and electronic equipment (WEEE). This label indicates that this product should not be disposed of with household waste. It should be deposited at an appropriate facility to enable recovery and recycling.



E328

REPLACEMENT PARTS // TEILELISTE // LISTE DES PIÈCES DE RECHANGE // ELENCO DEI RICAMBI

Part #	English	Deutsch	Français	Italiano
ARAC9830	AR709003 Washer 3x8x0.5mm (10)	AR709003 Unterlegscheibe 3 x 8 x 0,5 mm (10)	AR709003 Rondelle 3 x 8 x 0,5 mm (10)	AR709003 Rondella 3x8x0,5 mm (10)
AXI230032	Body Panel Set (Clear): RBX10	Karosserieteilesatz (farblos): RBX10	Ensemble de panneaux de carrosserie (transparent) : RBX10	Pannelli carroz. (trasparenti): RBX10
AXI230033	Interior Set (Clear): RBX10	Innensatz (farblos): RBX10	Ensemble intérieur (transparent) : RBX10	Set interni (trasparenti): RBX10
AXI230034	Hook & Loop Strap 17 x 270mm	Klettverschluss 17 x 270 mm	Sangle autoagrippante 17 x 270 mm	Fascetta a strappo 17 x 270 mm
AXI231025	Chassis Skid Plate: RBX10	Gleitplatte Fahrwerk: RBX10	Plaque de protection pour châssis : RBX10	Prot. sottoscocca telaio: RBX10
AXI231026	Servo Saver: RBX10	Servo Saver: RBX10	Économiseur de servo : RBX10	Salva servo: RBX10
AXI231027	Cage Sides, L R (Org): RBX10	Käfigseiten, L R (Orange): RBX10	Côtés de cage, D G (orange) : RBX10	Scocca lat, DX/SX (aranc): RBX10
AXI231028	Cage Roof, Hood (Orange): RBX10	Käfigdach, Haube (Orange): RBX10	Cage, toit, capot (orange) : RBX10	Scoc tetto, cofano (aranc): RBX10
AXI231029	Cge Sprts, Btt Try (Org): RBX10	Käfig Sport, Akkufach (Orange): RBX10	Supports de cage, support de batterie (orange)	Sup scoc, portabatt (aranc): RBX10
AXI231030	Cage Fuel Cell (Orange): RBX10	Brennstoffzelle, Käfig (Orange): RBX10	Pile à combustible cage (orange) : RBX10	Scocca, cella carb (aranc): RBX10
AXI231031	Cge Rdo Bx, Spr Cvr (Org): RBX10	Käfig, Funkbox, Halterungsabdeckung (Orange): RBX10	Cage, boîte radio, cache support (orange) : RBX10	Scocca, vano radio, carter supp (aranc)
AXI231032	Cage Sides, L R (Blk): RBX10	Käfigseiten, L R (Schwarz): RBX10	Côtés de cage, D G (noir) : RBX10	Scocca lat, DX/SX (nero): RBX10
AXI231033	Cage Roof, Hood (Black): RBX10	Käfigdach, Haube (Schwarz): RBX10	Cage, toit, capot (noir) : RBX10	Scoc tetto, cofano (nero): RBX10
AXI231034	Cge Sprts, Btt Try (Blk): RBX10	Käfighalterungen, Akkufach (Schwarz): RBX10	Supports de cage, support de batterie (noir)	Sup scoc, portabatt (nero): RBX10
AXI231035	Cage Fuel Cell (Black): RBX10	Brennstoffzelle, Käfig (Schwarz): RBX10	Pile à combustible cage (noire) : RBX10	Scocca, cella carb (nero): RBX10
AXI231036	Cge Rdo Bx, Spr Cvr (Blk): RBX10	Käfig, Funkbox, Halterungsabdeckung (Schwarz): RBX10	Cage, boîte radio, cache support (noir) : RBX10	Scocca, vano radio, carter supp (nero)
AXI232039	AR14B Axle Housing Front: RBX10	AR14B Achsgehäuse, Front: RBX10	AR14B Carter d'essieu avant : RBX10	AR14B Allogg assale ant: RBX10
AXI232040	AR14B C-Hub: RBX10	AR14B C-Hub: RBX10	AR14B Moyeu de support : RBX10	AR14B Supporto mozzo: RBX10
AXI232041	AR14B Steering Knuckle: RBX10	AR14B Lenkrolle: RBX10	AR14B Rotule de direction : RBX10	AR14B Fuso a snodo: RBX10
AXI232042	AR14B Metal Diff Cover: RBX10	AR14B Differentialabdeckung aus Metall: RBX10	AR14B Cache de différentiel métallique	AR14B Carter diff metallo: RBX10
AXI232043	AR14B Univrsl Axle Set: RBX10	AR14B Universalachsensatz: RBX10	AR14B Ensemble d'essieux universels	AR14B Set assale univ: RBX10
AXI232045	Hex Rtr Clpr Pin Set (4): RBX10	Satz Sechskant, Bremsscheibe, Bremssattel, Stift (4): RBX10	Ensemble de broches d'étrier de rotor hexagonal (4)	Set perno freno a disco con pinza (4)
AXI232047	AR14B Axle Housing Rear: RBX10	AR14B Achsgehäuse, Heck: RBX10	AR14B Carter d'essieu arrière : RBX10	AR14B Allogg assale post: RBX10
AXI232049	AR14B Straight Axle (2): RBX10	AR14B Gerade Achse (2): RBX10	AR14B Essieu droit (2) : RBX10	AR14B Assale dritto (2): RBX10
AXI232050	Transmission Housing Set: RBX10	Getriebegehäusesatz: RBX10	Ensemble de boîte de transmission : RBX10	Kit allogg trasmissione: RBX10
AXI232051	WB11 Driveshaft Set: RBX10	WB11 Antriebswelle-Set: RBX10	WB11 Ensemble d'arbre de transmission	WB11 Kit albero trasm: RBX10
AXI232052	WB11 Driveshaft Cplr (2): RBX10	WB11 Antriebskupplung (2): RBX10	WB11 Couplage d'arbre de transmission (2)	WB11 Acc alber trasm (2): RBX10
AXI232053	Diff, Gears, Housing: RBX10	Diff., Getriebe, Gehäuse: RBX10	Différentiel, engrenages, boîtier : RBX10	Diff, ingr, allogg: RBX10
AXI232054	Ring 38T, Pinion 13T, 32P: RBX10	Ring 38T, Zahnrad 13T, 32P: RBX10	Anneau 38T, pignon 13T, 32P : RBX10	Corona 38T, Pign 13T, 32P: RBX10
AXI232055	Spur Gear, 53T 32P: RBX10	Stirnrad, 53T, 32P: RBX10	Engrenage cylindrique, 53T, 32P : RBX10	Ingr cilindrico, 56T, 32P: RBX10
AXI232056	Transmissoin, Motor Plate: RBX10	Getriebemotorplatte: RBX10	Transmission, plaque de moteur : RBX10	Trasm, piastra motore: RBX10
AXI232057	Transmission, Shaft Set: RBX10	Getriebewellensatz: RBX10	Transmission, ensemble d'arbre : RBX10	Trasm, kit albero: RBX10
AXI232058	Trans, Gears, (Hi Speed): RBX10	Getriebe (Hochgeschwindigkeit): RBX10	Transmission, engrenages (haute vitesse)	Trasm, ingr (alta velocità): RBX10
AXI233020	Shock Parts, Molded: RBX10	Stoßdämpferteile, gegossen: RBX10	Pièces de l'amortisseur, moulées : RBX10	Parti amm stampate: RBX10
AXI233021	Shock Parts Bump Stop (4): RBX10	Stoßdämpferteile, Anschlagpuffer (4): RBX10	Butée de pièces d'amortisseur (4) : RBX10	Fincorsa amm (4): RBX10
AXI233023	Shck Bdy, Cap 10x53.5 (2): RBX10	Schlagfestes Gehäuse, Kappe, 10 x 53,5 (2)	Carrosserie d'amortisseur, capuchon 10 x 53,5 (2)	Scocca amm, Tappo 10x53.5 (2): RBX10
AXI233024	Shock Shaft, 66.7mm (2): RBX10	Kolbenstange, 66,7 mm (2): RBX10	Bras d'amortisseur, 66,7 mm (2) : RBX10	Asta amm, 66,7 mm (2): RBX10
AXI233025	Shck Bdy, Cap 10x59.5 (2): RBX10	Schlagfestes Gehäuse, Kappe, 10 x 59,5 (2)	Corps d'amortisseur, capuchon 10 x 59,5 (2)	Scocca amm, Tappo 10x59.5 (2): RBX10
AXI233026	Shock Shaft, 77.7mm (2): RBX10	Kolbenstange, 77,7 mm (2): RBX10	Bras d'amortisseur, 77,7 mm (2) : RBX10	Asta amm, 77,7mm (2): RBX10
AXI233027	Spring 15x85mm 2.20lbs/in (2)	Feder 15 x 85 mm 2,20 lbs/in (998 g/Zoll) (2)	Ressort 15 x 85 mm 0,25 Nm (2)	Molla 15x85 mm 2,20 lb/in (2)
AXI233028	Spring 15x105mm 1.75lbs/in (2)	Feder 15 x 105 mm 1,75 lbs/in (794 g/Zoll) (2)	Ressort 15 x 105 mm 0,20 Nm (2)	Molla 15x105 mm 1,75 lb/in (2)
AXI233029	O-Ring, Shock Set: RBX10"	O-Ring-Satz für den Stoßdämpfer: RBX10"	Joint toriques, ensemble amortisseur : RBX254 mm	Kit amm, O-ring: RBX10"
AXI233030	O-Ring 9x1.9mm (10)	O-Ring 9 x 1,9 mm (10)	Joint torique 9 x 1,9 mm (10)	O-ring 9x1,9 mm (10)
AXI234020	SS Steering Links (2): RBX10	Lenkstangen aus Edelstahl (2): RBX10	Bras de direction en acier inoxydable (2)	Tranti sterzo acc inox (2): RBX10
AXI234021	SS Link M6 x 114mm (2): RBX10	Verbindung aus Edelstahl M6 x 114 mm (2): RBX10	Bras SS M6 x 114 mm (2) : RBX10	Braccetto acciaio inox M6x114 mm (2)
AXI234022	SS Link M6 x 105mm (2): RBX10	Verbindung aus Edelstahl M6 x 105 mm (2): RBX10	Bras SS M6 x 105 mm (2) : RBX10	Braccetto acciaio inox M6x105 mm (2)
AXI234023	Rear Trailing Arm (2): RBX10	Längsträger Heck (2): RBX10	Bras oscillant arrière (2) : RBX10	Braccio post (2): RBX10
AXI234024	SS Link M6 x 132.5mm (2): RBX10	Verbindung aus Edelstahl M6 x 132,5 mm (2)	Bras SS M6 x 132,5 mm (2) : RBX10	Braccetto acciaio inox M6x 132,5 mm (2)
AXI234025	Rod Ends, Strght, M4 (10): RBX10	Gelenkköpfe, gerade, M4 (10): RBX10	Embouts de bielle, droits, M4 (10) : RBX10	Teste a snodo dritte M4 (10): RBX10
AXI234026	Rod Ends, Angled, M4 (10): RBX10	Gelenkköpfe, abgewinkelt, M4 (10): RBX10	Embouts de bielle, coudés, M4 (10) : RBX10	Teste a snodo angol M4 (10): RBX10
AXI234027	Pvt Ball 3x6.8x9.5mm (10):RBX10	Kugelzapfen 3 x 6,8 x 9,5 mm (10): RBX10	Rotule 3 x 6,8 x 9,5 mm (10) : RBX10	Art rotula 3x6,8x9,5 mm (10): RBX10
AXI234028	Pivot Ball, 8x7mm (10): RBX10	Kugelzapfen, 8 x 7 mm (10): RBX10	Rotule, 8 x 7 mm (10) : RBX10	Art rotula, 8x7mm (10): RBX10
AXI234029	Pvt Ball,3x6.8x7.6mm(10):RBX10	Kugelzapfen, 3 x 6,8 x 7,6 mm (10): RBX10	Rotule, 3 x 6,8x 7,6 mm (10) : RBX10	Art rotula 3x6,8x7,6 mm (10): RBX10
AXI234030	Pvt Ball,3x6.8x7.5mm (10):RBX10	Kugelzapfen 3 x 6,8 x 7,5 mm (10): RBX10	Rotule, 3 x 6,8 x 7,5 mm (10) : RBX10	Art rotula 3x6,8x7,5 mm (10): RBX10
AXI235097	M2.5 x 6mm, BHS (10)	M2,5 x 6 mm, Rundkopfschraube (10)	Vis à tête bombée M2,5 x 6 mm (10)	Viti testa tonda M2.5 x 6 mm (10)
AXI235109	M3 x 14mm, Button Head Screw(10)	M3 x 14 mm, Rundkopfschraube (10)	Vis à tête bombée M3 x 14 mm (10)	Viti testa tonda M3 x 14 mm (10)
AXI235110	M3 x 16mm, Button Head Screw(10)	M3 x 16 mm, Rundkopfschraube (10)	Vis à tête bombée M3 x 16 mm (10)	Viti testa tonda M3 x 16 mm (10)
AXI235167	M2.5 x 8mm Flat Head Screw (10)	M2,5 x 8 mm Flachkopfschraube (10)	Vis à tête plate M2,5 x 8 mm (10)	Viti testa piatta M2.5 x 8 mm (10)
AXI235168	M2.5 x 10mm Flat Head Screw (10)	M2,5 x 10 mm Flachkopfschraube (10)	Vis à tête plate M2,5 x 10 mm (10)	Viti testa piatta M2.5 x 10 mm (10)
AXI235329	M3 x 25mm, Set Screw (10)"	M3 x 25 mm, Stellschraube (10)"	M3 x 25mm, Vis de fixation (10)	Grani M3 x 25 mm (10)
AXI236103	2.5 x 4.6 x 0.5mm Washer (10)	2,5 x 4,6 x 0,5 mm Unterlegscheibe (10)	Rondelle 2,5 x 4,6 x 0,5 mm (10)	Rondelle 2,5 x 4,6 x 0,5 mm (10)
AXI236174	M3 x 14mm Pin (6)	M3 x 14 mm, Stift (6)	Broche M3 x 14 mm (6)	Perni M3 x 14 mm (6)
AXI43002	2.2 Interco TSL Bogger 5.9" (2)	2.2 Interco TSL Bogger 5.9" (2)	2.2 Pneu Interco TSL/Bogger 149,86 mm (2)	2.2 Interco TSL Bogger 5.9" (2)
AXI43011	2.2 Raceline Monster Blk	2.2 Raceline Monster, Schwarz	2.2 Raceline Monster noir	2.2 Raceline Monster, nero
AXIC0005	AXA0113 Hex Skt Butn Hd M3x6mm	AXA0113 Innensechskantschraube, Rundkopf, M3 x 6 mm	AXA0113 Douille hexagonale à tête bombée M3 x 6 mm	AXA0113 Vite cil esag inc M3x6 mm
AXIC0012	AXA120 Hex Socket Btn Hd M3x25	AXA120 Innensechskantschraube, Rundkopf, M3 x 25	AXA120 Douille hexagonale à tête bombée M3 x 25	AXA120 Vite cil esag inc M3x25

Part #	English	Deutsch	Français	Italiano
AXIC0013	AXA013 Cap Hd M2x6mm Blk Oxide	AXA013 Kappenkopf M2 x 6 mm, Schwarz, Oxid	AXA013 Vis d'assemblage creuse M2x6mm brunie	AXA013 Viti testa tonda M2x6 mm nero ossido
AXIC0014	AXA121 Hex Socket Btn Hd M3x30	AXA121 Innensechskantschraube, Rundkopf, M3 x 30	AXA121 Douille hexagonale à tête bombée M3 x 30	AXA121 Vite cil esag inc M3x30
AXIC0087	AXA087 Cap Hd M3x16mm Blk Oxid	AXA087 Kappenkopf M3 x 16 mm, Schwarz, Oxid	AXA087 Vis d'assemblage creuse M3 x 16 mm brunie	AXA087 Viti testa tonda M3x16 mm nero ossido
AXIC0114	AXA114 Hex Skt Butn Hd M3x8mm	AXA114 Innensechskantschraube, Rundkopf, M3 x 8 mm	AXA114 Douille hexagonale à tête bombée M3 x 8 mm	AXA114 Vite cil esag inc M3x8 mm
AXIC0115	AXA115 Hex Skt Butn Head M3x10	AXA115 Innensechskantschraube, Rundkopf, M3 x 10 mm	AXA115 Douille hexagonale à tête bombée M3 x 10	AXA115 Vite cil esag inc M3x10 mm
AXIC0116	AXA116 Hex Skt Butn Hd M3x12mm	AXA116 Innensechskantschraube, Rundkopf, M3 x 12 mm	AXA116 Douille hexagonale à tête bombée M3 x 12 mm	AXA116 Vite cil esag inc M3x12 mm
AXIC0118	AXA144 Hex Flt Hd M3x8mm Blk10	AXA144 Innensechskantschraube, Flachkopf M3 x 8 mm Schwarz 10	AXA144 Douille hexagonale à tête plate M3 x 8 mm noire 10	AXA144 Vite piatta esag M3x8 mm nero (10)
AXIC0146	AXA146 Hex Skt Flat Hd M3x12mm	AXA146 Innensechskantschraube, Flachkopf, M3 x 12 mm	AXA146 Douille hexagonale à tête plate M3 x 12 mm	AXA146 Vite piatta esag inc M3x12 mm
AXIC0147	AXA0147 Hex Skt Flt Hd M3x16mm	AXA0147 Innensechskantschraube, Flachkopf, M3 x 16 mm	AXA0147 Douille hexagonale à tête plate M3 x 16 mm	AXA147 Vite cil esag inc M3x16 mm
AXIC0180	AXA180 Set Screw M3x3mm Blk Ox	AXA180 Schraubensatz M3 x 3 mm, Schwarz, Oxid	AXA180 Vis de fixation M3 x 3 mm brunie	AXA180 Grano M3x3 mm nero ossido
AXIC0221	AXA1221 Bearing 5x11x4mm	AXA1221 Lager 5 x 11 x 4 mm	AXA1221 Roulement 5 x 11 x 4 mm	AXA1221 Cuscinetto 5x11x4 mm
AXIC0230	AXA1230 Bearing 10x15x4mm	AXA1230 Lager 10 x 15 x 4 mm	AXA1230 Roulement 10 x 15 x 4 mm	AXA1230 Cuscinetto 10x15x4 mm
AXIC0830	AXA083 Cap Head M3x6mm Blk(10)	AXA083 Kappenkopf M3 x 6 mm Schwarz (10)	AXA083 Vis d'assemblage creuse M3 x 6 mm noire (10)	AXA083 Viti testa tonda M3x6 mm nero (10)
AXIC0843	AX30843 Pinion Gear 32P 17T	AX30843 Zahnradgetriebe 32P 17T	AX30843 Engrenage à pignons 32P 17T	AX30843 Pignone 32P 17T
AXIC1009	AXA0109 Hex Skt Oversize M3x10mm	AXA0109 Innensechskantschraube, Übergröße, M3 x 10 mm	AXA0109 Douille hexagonale surdimensionnée M3 x 10 mm	AXA0109 Viti oversize esag inc M3x10 mm
AXIC1041	AXA1041 Nylon Locknut 2.5 (10)	AXA1041 Nylon-Feststellmutter 2,5 (10)	AXA1041 Contre-écrou en nylon 2,5 (10)	AXA1041 Controdado nylon 2.5 (10)
AXIC1053	AXA1053 Nylon Lock Hex Nut M3 (10)	AXA1053 Nylon-Sechskant-Feststellmutter M3 (10)	AXA1053 Contre-écrou à six pans en nylon M3 (10)	AXA1053 Ctrdado esag nylon M3 (10)
AXIC1119	AX31119 Hex Skt Btn 3x35mm(10)	AX31119 Innensechskantschraube, Rundkopf, 3 x 35 mm (10)	AX31119 Douille hexagonale bombée 3 x 35 mm (10)	AX31119 Vite cil esag inc 3x35 mm (10)
AXIC1120	AX31120 Hex Skt Flat 3x10mm(10)	AX31120 Innensechskantschraube, Flachkopf, 3 x 10 mm (10)	AX31120 Douille hexagonale plate 3 x 10 mm (10)	AX31120 Vite piatta esag inc 3x10 mm (10)
AXIC1180	AXA118 Hex Socket BtnHd M3x18mm(10)	AXA118 Innensechskantschraube, Rundkopf, M3 x 18 mm (10)	AXA118 Douille hexagonale à tête bombée M3 x 18 mm (10)	AXA118 Vite cil esag inc M3x18 mm (10)
AXIC1181	AXA119 Hex Socket Btn Hd M3x20(10)	AXA119 Innensechskantschraube, Rundkopf, M3 x 20 (10)	AXA119 Douille hexagonale à tête bombée M3 x 20 (10)	AXA119 Vite cil esag inc M3x20 (10)
AXIC3151	AX31051 Nylon Lock Hex Nut 4mm(10)	AX31051 Nylon-Sechskant-Feststellmutter 4 mm (10)	AX31051 Contre-écrou à six pans en nylon 4 mm (10)	AXA31051 Controdado esag nylon 4 mm (10)
AXIC3231	AX31231 Body Clips 8mm (10)	AX31231 Karosserieklemmen 8 mm (10)	AX31231 Clips de carrosserie 8 mm (10)	AX31231 Clip carrozzeria 8 mm (10)
LOS235015	Locknut Flanged M5 Serrated (10)	Feststellkontermutter mit Flansch M5 (10)	Contre-écrou à embase M5 strié (10)	Controdado flangiato dentellato M5 (10)
LOSA6940	6x12x4mm Sealed Ball Bearing (4)	6 x 12 x 4 mm abgedichtetes Kugellager (4)	Roulement à billes hermétique 6 x 12 x 4 mm (4)	Cuscinetti a sfera sigill 6x12x4 mm (4)
LOSA6956	12 x 18 x 4mm Ball Bearing (2)	12 x 18 x 4 mm, Kugellager (2)	Roulement à billes 12 x 18 x 4 mm (2)	Cuscinetti a sfera 12x18x4 mm (2)
SPM2340	DX3 SMART DSMR 3CH TX	DX3 SMART DSMR TX mit 3 Kanälen	ÉMETTEUR 3 CANAUX DSMR SMART DX3	TX DX3 SMART DSMR 3 CH
SPMS614S	S614S Steel Gear WP Servo, 23T	SS614S Stahlgetriebeservo 23T WP	Servo étanche à engrenages métalliques S614	S614S, servo ingr metallo imp, 23T
SPMSR6100AT	SR6100AT 6 Ch AVC/Tele Surf RX	SR6100ATAVC Telemetrie Oberflächenempfänger mit 6 Kanälen	Tele Surf RX/AVC 6 canaux SR6100AT	RX sup SR6100AT 6 Ch AVC/Telem
SPMXSE1130	Firma 130A Brushless Smart ESC	Firma 130 A bürstenloser Smart-Geschwindigkeitsregler	Variateur ESC sans balais 130 A Smart Firma	Smart ESC Firma 130 A Brushless
SPMXSM2700	FIRMA 2200Kv 4-pole BL Motor	FIRMA 2200 Kv 4-poliger bürstenloser Motor	Moteur sans balais à 4 pôles 2 200 Kv FIRMA	Motore BL FIRMA 2200 Kv 4 poli
TLR245011	Button Head Screws, M2x6mm (10)	Rundkopfschrauben, M2 x 6 mm (10)	Vis à tête bombée, M2 x 6 mm (10)	Viti testa tonda, M2x6 mm (10)
TLR255001	Button Head Screws, M2.5x5mm (10)	Rundkopfschrauben, M2,5 x 5 mm (10)	Vis à tête bombée, M2,5 x 5 mm (10)	Viti testa tonda, M2.5x5 mm (10)
TLR5900	Button Hd Screws, M3 x 5mm (10)	Rundkopfschrauben, M3 x 5 mm (10)	Vis à tête bombée, M3 x 5mm (10)	Viti testa tonda, M3x5 mm (10)
TLR5907	Button Hd Screws, M3 x 40mm (4)	Rundkopfschrauben, M3 x 40 mm (4)	Vis à tête bombée, M3 x 40mm (4)	Viti testa tonda, M3x40 mm (4)

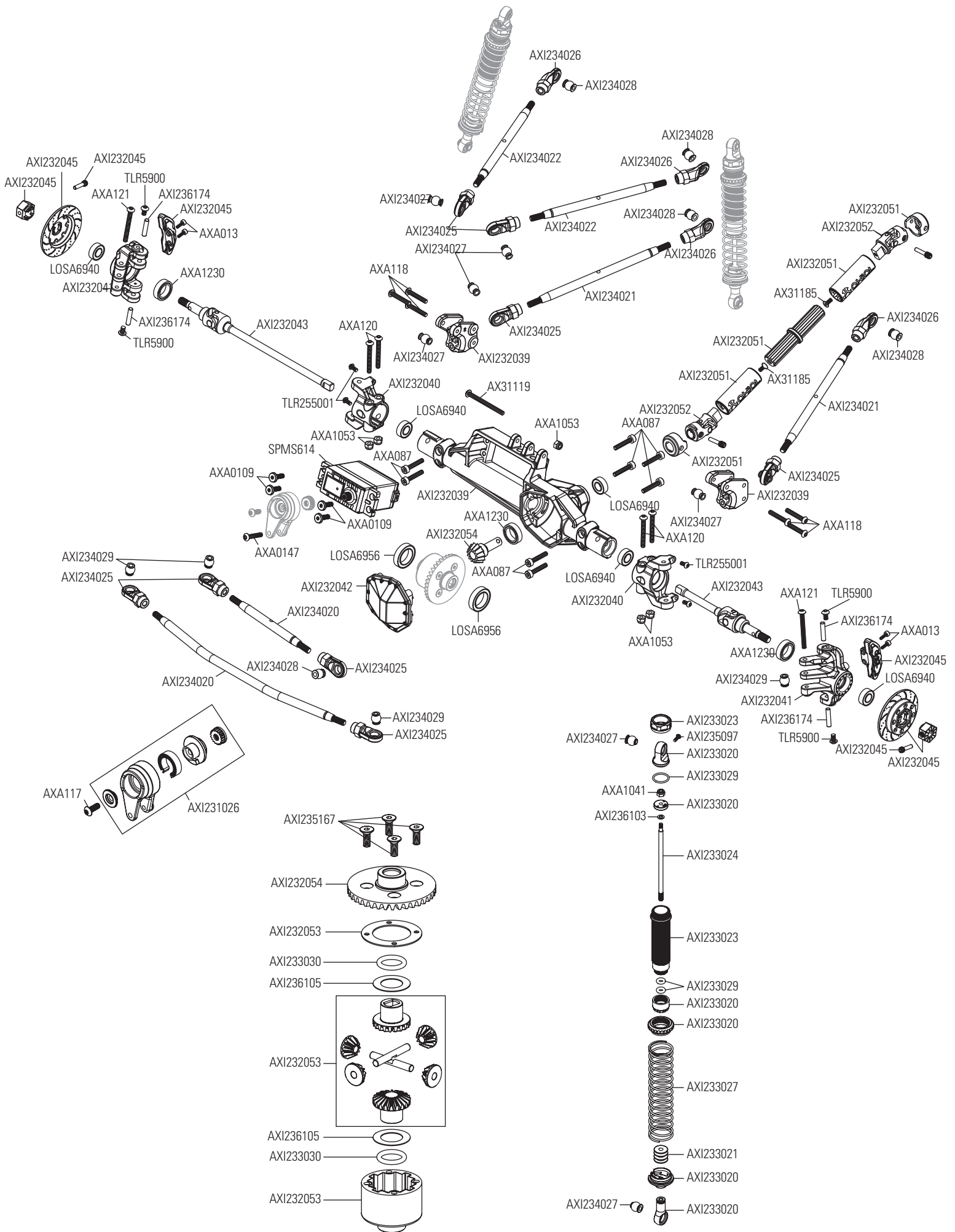
RECOMMENDED PARTS // EMPFOHLENE TEILE // PIÈCES RECOMMANDÉES // PARTI CONSIGLIATE

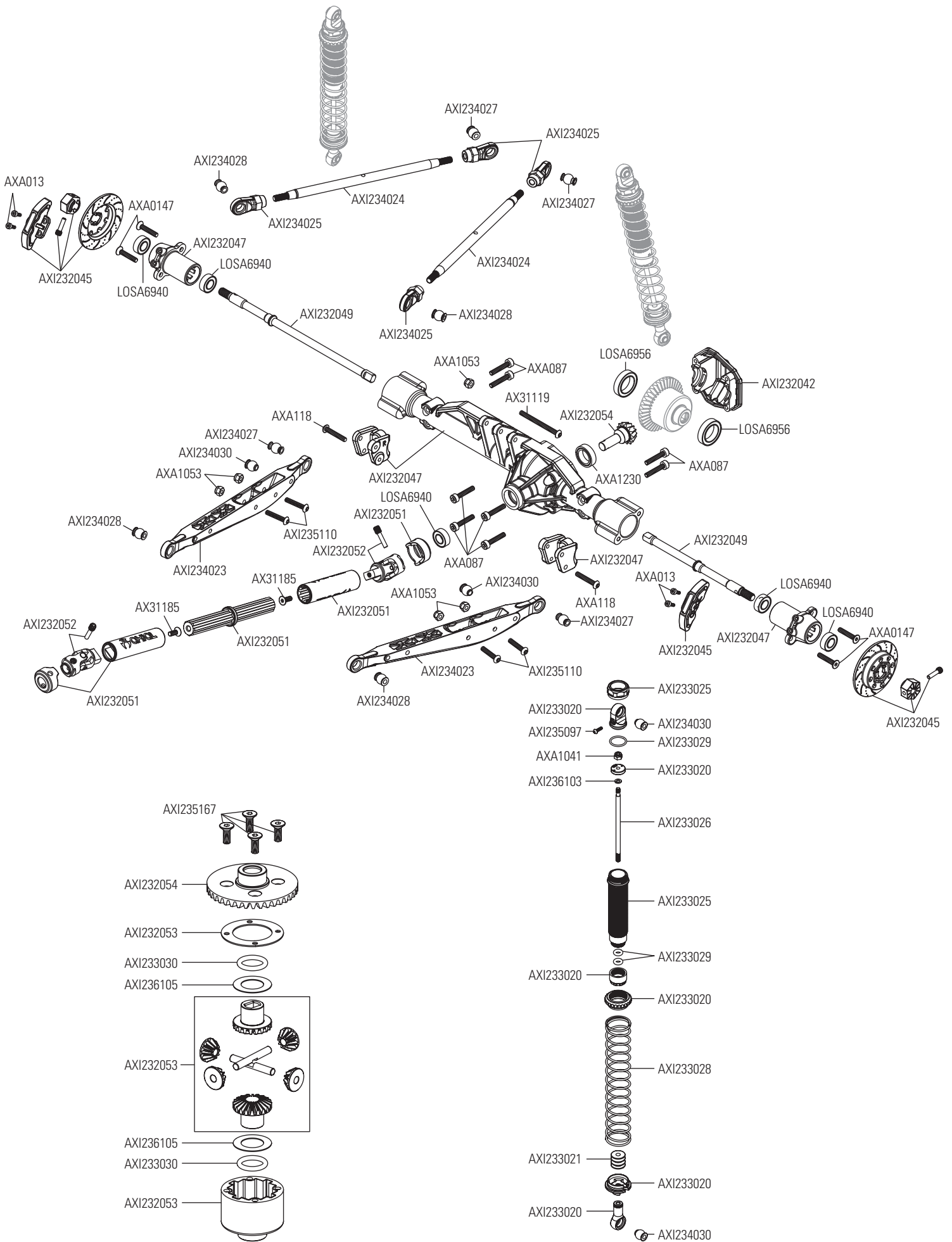
Part #	English	Deutsch	Français	Italiano
SPMX50003S50H5	5000mAh 3S 11.1V Smart 50C; IC5	5000 mAh 3S 11,1 V Smart 50C; IC5	5 000 mAh 3S 11,1 V Smart 50C ; IC5	5000 mAh 3S 11,1V Smart 50C IC5
SPMX50004S50H5	5000mAh 4S 14.8V Smart 50C; IC5	5000 mAh 4S 14,8 V Smart 50C; IC5	5 000 mAh 4S 14,8 V Smart 50C ; IC5	5000 mAh 4S 14,8V Smart 50C IC5
SPMXPS3	Smart PowerStage Bundle 3S	Smart PowerStage-Paket 3S	Ensemble Smart Powerstage 3S	Smart Powerstage Bundle 3S
SPMXPS6	Smart PowerStage Bundle 6S	Smart PowerStage-Paket 6S	Ensemble Smart Powerstage 6S	Smart Powerstage Bundle 6S

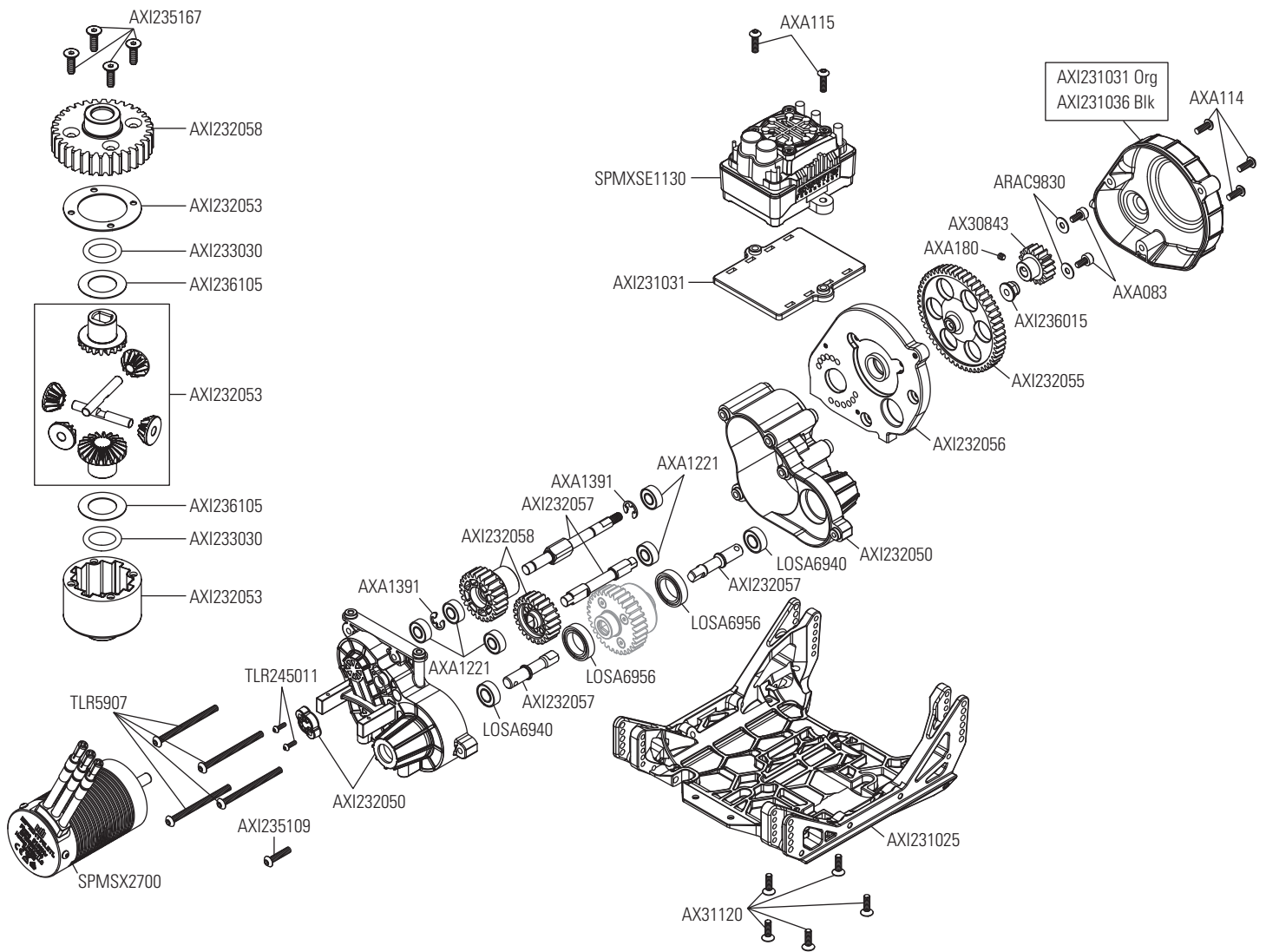
OPTIONAL PARTS // OPTIONALETEILE // PIÈCES OPTIONNELLES // PARTI OPZIONALI

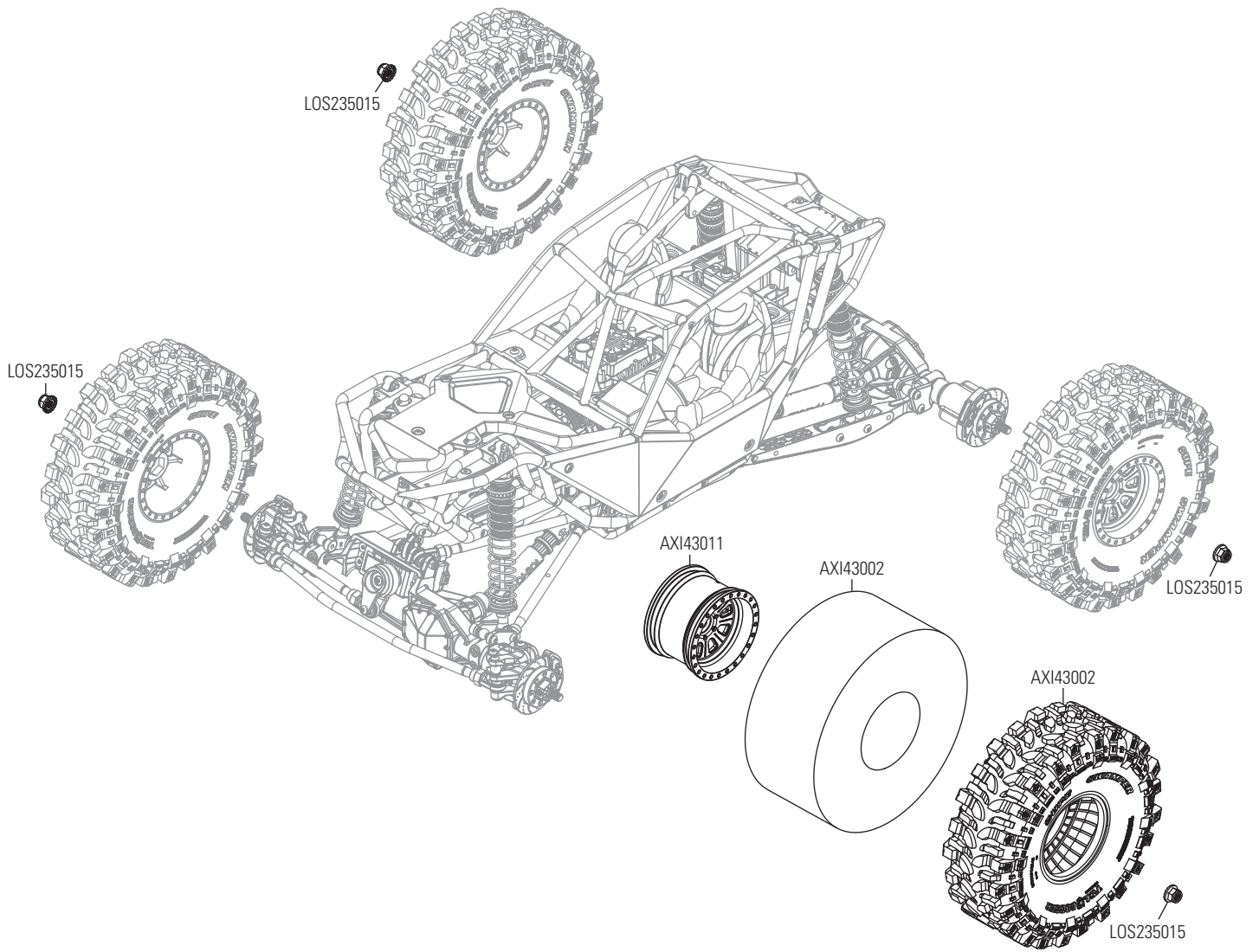
Part #	English	Deutsch	Français	Italiano
AXI231007	23T Metal Servo Horn	23T Metall-Servohorn	Renvoi de commande de servo métallique 23T	Squad servo, metallo 23T
AXI231012	Servo Horn, Metal 23T: SCX10III	Servohorn, Metall 23T: SCX10III	Renvoi de commande de servo, métallique 23T	Squad servo, metallo 25T: SCX10III
AXI231037	Cage Sides, L R (Gry): RBX10	Käfigseiten, L R (Grau): RBX10	Côtés de cage, D G (gris): RBX10	Scocca lat, DX/SX (grigio): RBX10
AXI231038	Cage Roof, Hood (Gray): RBX10	Käfigdach, Haube (Grau): RBX10	Toit de cage, capot (gris): RBX10	Scoc tetto, cofano (grigio): RBX10
AXI231039	Cge Sprts, Btt Try (Gry): RBX10	Käfighalterungen, Akkufach (Grau): RBX10	Supports de cage, support de batterie (gris)	Sup scoc, portabatt (grigio): RBX10
AXI231040	Cage Fuel Cell (Gray): RBX10	Brennstoffzelle, Käfig (Grau): RBX10	Pile à combustible cage (gris): RBX10	Scocca, cella carb (grigio): RBX10
AXI231041	Cge Rdo Bx, Spr Cvr (Gry): RBX10	Käfig, Funkbox, Halterungsabdeckung (Grau): RBX10	Cage, boîte radio, cache support (gris)	Scocca, carter ing (grigio): RBX10
AXI332002	Differential Spool: RBX10	Differentialspule: RBX10	Spool de différentiel: RBX10	Cursor differenziale: RBX10
AXI332005	2-Speed Set: RBX10	2-Gang-Satz: RBX10	Ensemble à 2 vitesses: RBX10	Kit 2 velocità: RBX10
AXI333000	Spring 15x85mm 2.50lbs/in (2)	Feder 15 x 85 mm 2,50 lbs/in (1134 g/Zoll) (2)	Ressort 15 x 85 mm 0,28 Nm (2)	Molla 15x85 mm 2,50 lb/in (2)
AXI333001	Spring 15x85mm 1.95lbs/in Purple(2)	Feder 15 x 85 mm 1,95 lbs/in (884 g/Zoll), violett (2)	Ressort 15 x 85 mm 0,22 Nm violet (2)	Molla 15x85 mm 1,95 lb/in viola (2)
AXI333002	Spring 15x105mm 2.20lbs/in (2)	Feder 15 x 105 mm 2,20 lbs/in (998 g/Zoll) (2)	Ressort 15 x 105 mm 0,25 Nm (2)	Molla 15x105 mm 2,20 lb/in (2)
AXI333003	Spring 15x105mm 1.95lbs/in (2)	Feder 15 x 105 mm 1,95 lbs/in (884 g/Zoll) (2)	Ressort 15 x 105 mm 0,22 Nm (2)	Molla 15x105 mm 1,95 lb/in (2)
AXI334000	Lower Link Plate Rear (4): RBX1	Untere Lasche, Heck (4): RBX1	Plaque de bras inférieure arrière (4): RBX1	Bracc inf piastra post (4): RBX10
AXI334001	Sway Bar Set: RBX10	Schwingen-Set: RBX10	Ensemble de barre stabilisatrice: RBX10	Kit barra antirollio: RBX10
DYNB5035H5	11.1V 5000mAh 3S 50C LiPo,Hrdcs:EC5	11,1 V 5000 mAh 3S 50C LiPo, Hartschale: EC5	Li-Po 11,1 V 5 000 mAh 3S 50 C, boîtier: EC5	11,1 V 5000 mAh 3S 50C LiPo, hardcase: EC5
DYNB5045H5	14.8V5000mAh4S50CLiPo,Hrdcs:EC5	14,8 V 5000 mAh 4S 50C LiPo,Hartschale: EC5	Li-Po 14,8 V 5 000 mAh 4S 50C, boîtier: EC5	14,8 V 5000 mAh 4S 50C LiPo, hardcase: EC5
SPM5200	DX5 Rugged DSMR TX w/SR515	DX5 Rugged DSMR TX mit SR515	Émetteur DX5 robuste DSMR avec SR515	Tx DX5 Rugged DSMR con SR515
SPM9068	DX3 Wheel	DX3 Rad	Roue DX3	Ruota DX3
SPM9070	DX3 Cell Phone Mount	DX3 Halterung Mobiltelefon	Support de téléphone portable DX3	Supporto per cellulare DX3
SPMR5010	DX5 Pro DSMR Tx Only	DX5 Pro DSMR nur Tx	Émetteur DX5 Pro DSMR uniquement	DX5 Pro DSMR solo trasmittente
SPMR5115	DX5C SMART 5CH DSMR TX ONLY	DX5C SMART DSMR 5-Kanal nur TX	ÉMETTEUR DSMR 5 CANAUX SMART DX5C UNIQUEMENT	DX5C SMART 5CH DSMR solo trasm
SPMR5200G	DX5 Rugged DSMR TX Only, Green	Nur DX5 Rugged DSMR TX, Grün	Émetteur DX5 robuste DSMR uniquement, vert	DX5 Rugged DSMR solo trasm, verde
SPMR52000	DX5 Rugged DSMR TX Only, Orange	Nur DX5 Rugged DSMR TX, Orange	Émetteur DX5 robuste DSMR uniquement, orange	DX5 Rugged DSMR solo trasm, aranc
SPMSS6250	S6250 U-T / H-S Digital HV WP Servo	S6250 U-T / H-S Digitaler HV WP Servo	Servo numérique étanche S6250 U-T/H-S HV	Servo digitale imp HV H-S / S6250 U
SPMSS6280	S6280 U-T / H-S Digital HV WP Servo	S6280 U-T / H-S Digitaler HV WP Servo	Servo numérique étanche S6280 U-T/H-S HV	Servo digitale imp HV H-S / S6280 U
SPMX50003S100H5	5000mAh 3S 11.1V Smart 100C; IC5	5000 mAh 3S 11,1 V Smart 100C, IC5	5 000 mAh 3S 11,1 V Smart 100C ; IC5	5000 mAh 3S 11,1 V Smart 100C IC5
SPMX50003S50H5	5000mAh 3S 11.1V Smart 50C; IC5	5000 mAh 3S 11,1 V Smart 50C; IC5	5 000 mAh 3S 11,1 V Smart 50C ; IC5	5000 mAh 3S 11,1V Smart 50C IC5
SPMX50004S100H5	5000mAh 4S 14.8V Smart 100C; IC5	5000 mAh 4S 14,8 V Smart 100C, IC5	5 000 mAh 4S 14,8 V Smart 100C ; IC5	5000 mAh 4S 14,8 V Smart 100C IC5
SPMX50004S30	5000mAh 4S 14.8V Smart LiPo 30C IC5	5000 mAh 4S 14,8V Smart LiPo 30C; IC5	Li-Po 5 000 mAh 4S 14,8 V Smart 30C IC5	5000 mAh 4S 14,8 V Smart LiPo 30C IC5
SPMX50004S50H5	5000mAh 4S 14.8V Smart 50C; IC5	5000 mAh 4S 14,8 V Smart 50C; IC5	5 000 mAh 4S 14,8 V Smart 50C ; IC5	5000 mAh 4S 14,8V Smart 50C IC5
SPMXCA200	Avian Firma Smart ESC Programmer	Avian Firma Smart ESC Programmer	Programmeur ESC Avian Firma Smart	Smart ESC Programmer Avian Firma
SPMXPS4	Smart PowerStage Bundle 4S	Smart PowerStage-Paket 4S	Ensemble Smart Powerstage 4S	Smart Powerstage Bundle 4S
SPMXPS8HC	Smart Powerstage Bundle 8S	Smart PowerStage-Paket 8S	Ensemble Smart Powerstage 8S	Smart Powerstage Bundle 8S
SPMXSE1150	Firma 150A Brushless Smart ESC	Firma 150A bürstenloser Smart-Geschwindigkeitsregler	Variateur ESC sans balais 150 A Smart Firma	Smart ESC Firma 150A Brushless

EXPLODED VIEW // EXPLOSIONSZEICHNUNG // VUE ÉCLATÉE DES PIÈCES // VISTA ESPLOSA DELLE PARTI











©2021 Horizon Hobby, LLC.

Axial, Ryft, Firma, DSM, DSM2, DSMR, AVC, Active Vehicle Control, Dynamite, Passport, IC5 and the Horizon Hobby logo are trademarks or registered trademarks of Horizon Hobby, LLC. The Spektrum trademark is used with permission of Bachmann Industries, Inc.

US 9,320,977. US 10,528,060. US 9,930,567. US 10,419,970. US 10,849,013. Other patents pending.

Created 12/20

62692.1

AXI03005