

Square flange 10P feedthrough connector



Glass-sealed feedthrough connector for vacuum environment

Model : HG31S-S01-10P-18-1

It is a glass-sealed feedthrough connector. It has a square flange with a measurement of 42mm on each side and can be mounted in a small space.

It is an industry proven and tested product in the semiconductor equipment manufacturing.

Specifications

Poles	: 10P
Air tightness	: Under $1 \times 10^{-9} \text{Pa} \cdot \text{m}^3 \text{sec}$
Heatproof temp	: 250°C (Feedthrough) - Continuous usage - Vacuum side plug is 180°C
Rated Current	: 3A
Rated Voltage	: 60V
Withstand voltage	: 500V DC
O ring	: G30 (Prepared by the customer)
Vacuum side connector	: PP10-S1.6-SUOxx-SWH-VA-SP01
Air side mating connector	: MS3106B18-1S



Feedthrough connector



Vacuum side plug

Advantages

Space saving & Universal use

Due to its smaller size than 10P ICF flange type, you can place several square flange on the same space. The area ratio is less than half as compared to the same 10P ICF flange type.

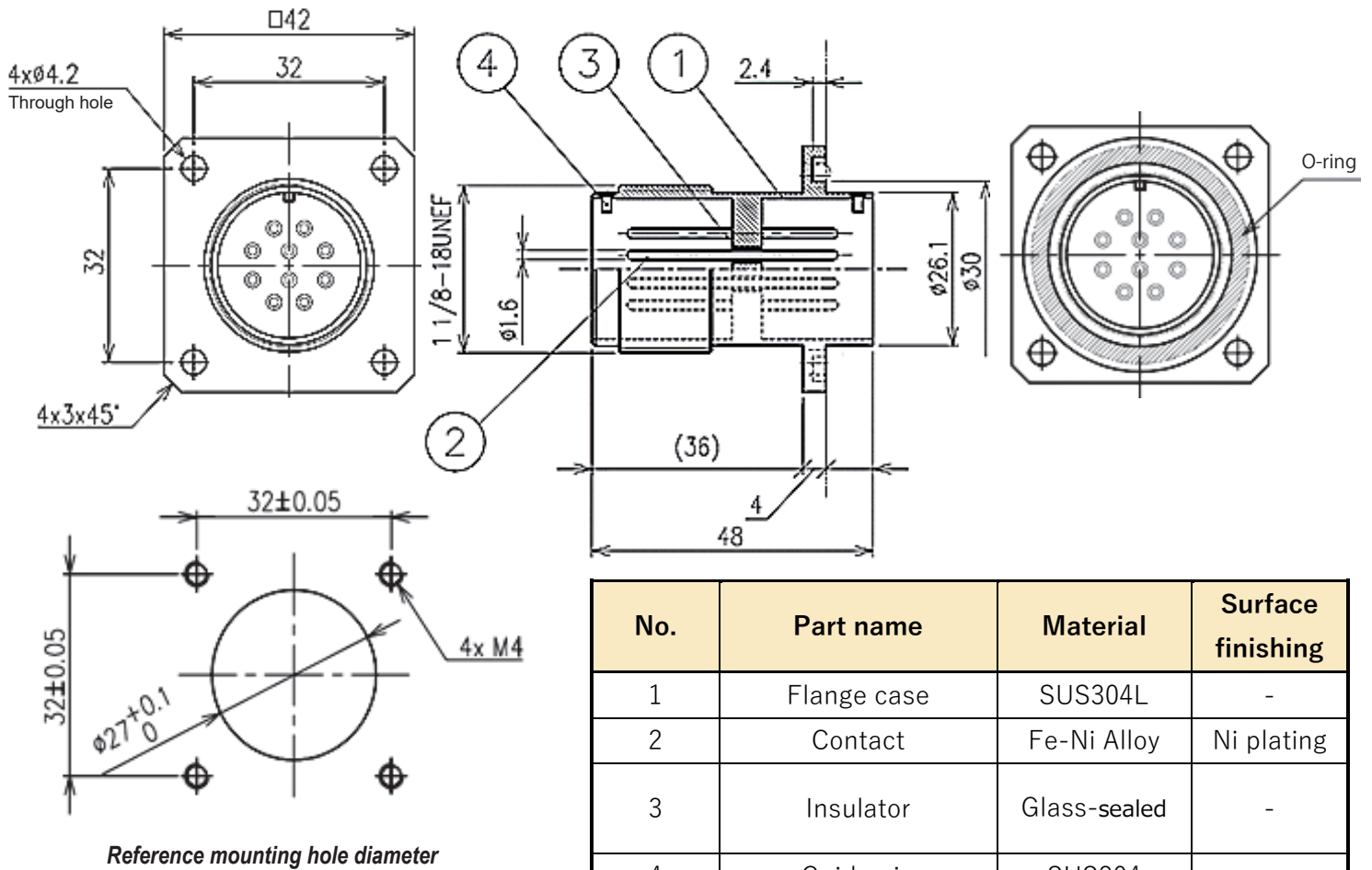
Short delivery time

As a standard product, we have enough inventories available anytime so we can deliver in a short time.

Low cost

We have reduced the price by 30% as compared to the 10P ICF70 feedthrough flange type from our company.

Dimensions



10P Vacuum side plug

Model : PP10-S1.6-SOU **xx** -SWH-VA-SP01

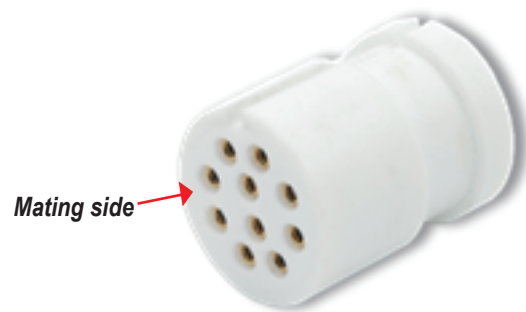
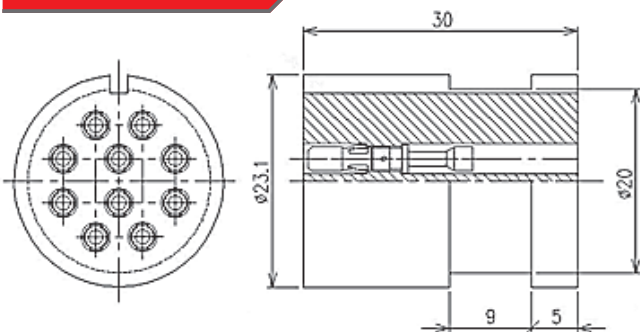
xx is AWG cable size (AWG) (Choose from AWG14, 16, 20, 24 or SOL (solder cup))

10P Vacuum side plug can insert 10 socket contacts at once.

The insulation is PTFE with low outgassing properties and the socket contact is made of brass with gold plating.

Oxygen-free copper is also available as an option.

Dimensions



GLOBETECH Inc.

1-13-21 Hinodai Hino-shi, Tokyo, Japan 191-0003

TEL +81-42-584-1020 / FAX +81-42-584-1030

URL : <https://www.globetech.jp/>