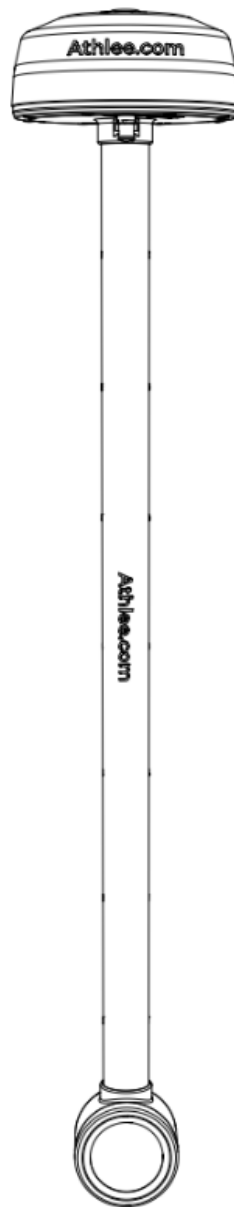


ATHLEE USER MANUAL



Updated 1 November 2022

INDEX

1. COMPLIANCE	2
2. ATHLEE CAMERA	4
3. ATHLEE CHARGER	13
4. DISPOSAL INFORMATION	16
5. SAFETY WARNINGS	18
6. WARRANTY AND SERVICE	22
7. LIMITATION OF LIABILITY	23
8. CAMERA MAINTENANCE	24
9. FINAL REMARKS	25

1. COMPLIANCE

1.1 Compliance

EU, UNITED KINGDOM



Hereby, ATHLEE ApS, the manufacturer of the ATHLEE, declares that this ATHLEE product is in compliance with the essential requirements and other relevant provisions of the following EU Compliance Directive Information.

- Conforms to European Union Low Voltage Directive 2014/35/EU;
- European Union EMC Directive 2014/30/EU;
- European Union Radio Equipment Directive (RED) 2014/53/ EU;
- European Union WEEE Directive 2012/19/EU;
- European Union Restriction of Hazardous Substances Recast (RoHS2) Directive 2011/65/EU;
- European Union Registration, Evaluation, Authorization and Restriction of Chemicals (REACH) Directive 2006/121/EC.

This product contains batteries that are covered under the 2006/66/EC European Battery Directive, amended by Directive 2013/56, which cannot be disposed of with normal household waste. Please follow local regulations.

UNITED STATES / CANADA

CAUTION

Changes or modifications not expressly approved by ATHLEE Aps could void the user's authority to operate this equipment according to part 15 of the FCC rules.

NOTE:

This equipment has been tested and found to comply with the limits for a Class B digital device, pursuant to part 15 of the FCC Rules. These limits are designed to provide reasonable protection against harmful interference in a residential installation.

This equipment generates, uses and can radiate radio frequency energy and, if not installed and used in accordance with the instructions, may cause harmful interference to radio Communications. However, there is no guarantee that interference will not occur in a particular installation. If this equipment does cause harmful interference to radio or television reception, which can be determined by turning the equipment off and on, the user is encouraged to try to correct the interference by one or more of the following measures:

1. Reorient or relocate the receiving antenna.
2. Increase the separation between the equipment and receiver.
3. Connect the equipment into an outlet on a circuit different from that to which the receiver is connected.
4. Consult the dealer or an experienced radio/TV technician for help.

This product is confirmed to comply with the requirements set out in the European Council Directive on the Approximation of the Laws of the Member States relating to RED (2014/53/EU), EMC (2014/30/EU), LVD (2014/35/EU) and RoHS (2011/65/EU). The equipment passed the test for RED which was performed according to the following European standards: EN 300 328 V2.1.1; EN 301 893 V2.1.0; EN 300 440 V2.1.1 EN 301 489-1 V2.2.3; EN 301 489-17 V3.2.2 IEC/EN 62368-1:2014 (Second Edition) +AC: 2015

This product uses WiFi
2.4GHz Operating Frequency is 2400~2483.5MHz; 5GHz Operating Frequency is 5150 ~ 5250MHz and 5725 ~ 5850MHz;

2. ATHLEE CAMERA

2.1 Overview

2.2 Intended Use

2.3 Specifications

2.4 Getting started

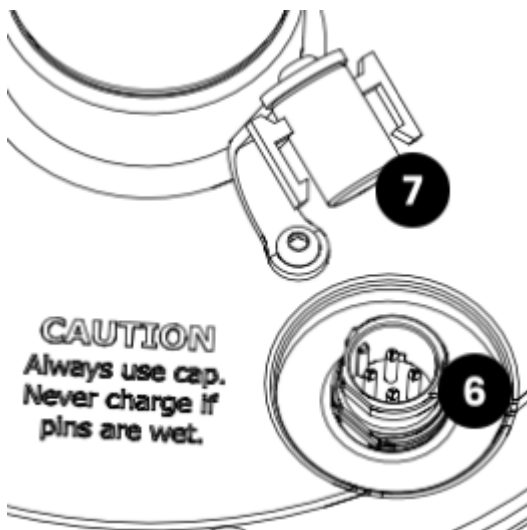
2.5 LED Indicator



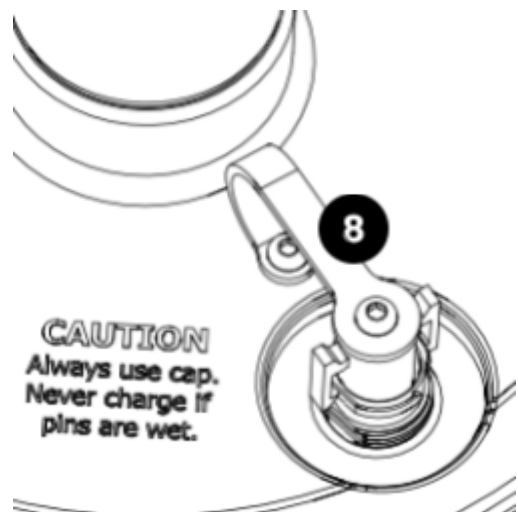
- 1** Wifibox (built in WiFi module)
- 2** Rod, Anodized Aluminum
- 3** Battery (built in)
- 4** Camera module



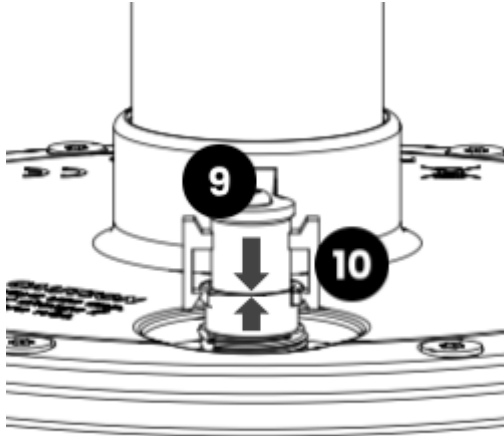
5 Powerswitch with LED



6 Charger Plug Receptable
7 Cap for the Charger Plug Receptable



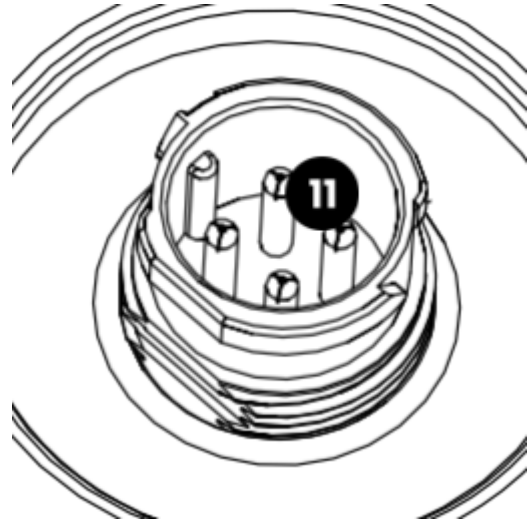
8 Cap mounted on Charger Plug Receptable



9 Cap mounted on Charger Plug Receptable. Align the two arrows to mount the Cap.

10 Bard Lever

CAUTION: Always make sure the Cap is fully mounted and that the Bard Levers has been activated before exposure to water.



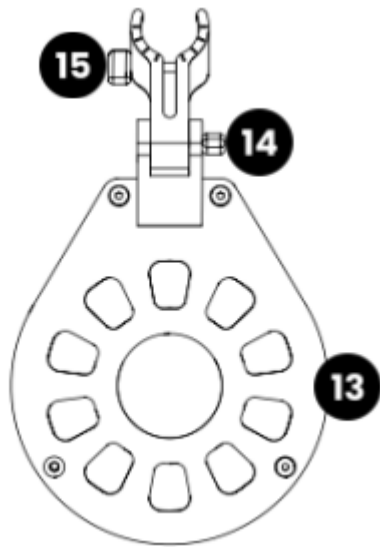
11 Charger Plug Receptable Pins

CAUTION: Never Charge if Pins are wet.

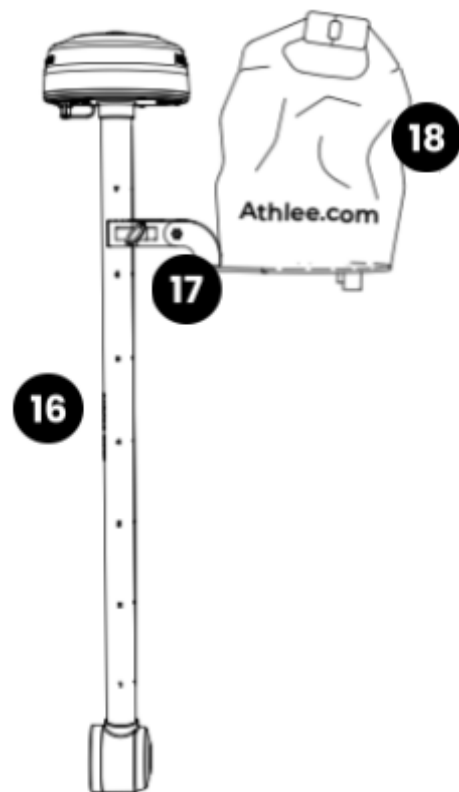


12 Glass

CAUTION: Always dry off the Glass after use (use a clean towel).



- 13** Mount Plate
- 14** T-handle to adjust Camera Angle
- 15** T-handle to adjust Camera Rotation and Depth



- 16** Athlee Camera
- 17** Mount
- 18** Drybag (fill with water to about $\frac{2}{3}$ of the White Line on the inside of the Drybag)

2. ATHLEE CAMERA

2.1 Overview

2.2 Intended Use

2.3 Specifications

2.4 Getting started

2.5 LED Indicator

This product is an underwater camera intended for streaming and recording video in connection with a portable device such as a smartphone, tablet, or other compatible devices. This product must not be used for any other purposes. Any other use or use under other operation conditions is considered to be improper and may result in personal injury or property damage. No liability will be assumed for damages resulting from improper use.

2. ATHLEE CAMERA

2.1 Overview

2.2 Intended Use

2.3 Specifications

2.4 Getting started

2.5 LED Indicator

ELECTRONICS

Camera module

1920 x 1080 Full HD 60 fps camera

Lense

120° Horizontal Field of View

78° Vertical Field of View

Connectivity

WiFi Module built into each Athlee Camera

Protocols: IEEE 802.11a/b/g/n/ac

Speed: 400Mbps(2.4GHz),

867Mbps(5GHz)

Multiple iPads and iPhones can be connected simultaneously to the same Athlee Camera

Multi Camera Connectivity

The WiFi allows simultaneous streams from different cameras to be viewed on the same iPad/iPhone

Compatibility

Compatible with iPad and iPhones from 2020 running on the latest version of Apple iOS

Powerswitch with built in LED Battery-level indicator

See section 2.5 "LED Indicator" for specifications

BUILD

Dimensions

Height: 3 ft / 92 cm

Weight

5,5 lbs / 2,5 Kg

Materials

Hard Anodized Aluminum
Stainless Steel Grade 304
Poly-Urethane Plastic
EPDM Gaskets
POM Plastic

Waterproof

The Athlee Camera unit has an IP 68 rating (12 hours at 3 feet / 100 cm)

BATTERY

Camera

Input: 18VDC = 1,7A, 30W

Cell Type

Rechargeable Li-ion Battery
14.4 V 4900 mAh
Capacity: 70,56 Wh

Temperature range

Discharging (= camera is turned on):
14 °F to 100 °F (-10 °C to 40 °C)
Charging: 32 °F to 100 °F (0 °C to 40 °C)

Battery life

A brand new battery allows for up to 10 hours of operation on a full charge. A full recharge takes 4-5 hours

Battery Management System

Over and under-voltage protection
Short circuit protection
Temperature protection

Charger

Input: 100 - 240 VAC, 50/60Hz 1.0 - 0.5A
Output: 18VDC = 2,22A, 40W
The Charger has an IP 44 rating (NOT waterproof)

2. ATHLEE CAMERA

2.1 Overview

2.2 Intended Use

2.3 Specifications

2.4 Getting started

2.5 LED Indicator

Once you've received your ATHLEE CAMERA, please keep the original packaging as this will allow you to ship it back to us in case of a return or a repair. It's important to have the original packaging and the ATHLEE CAMERA in its original condition in order to be eligible for a full refund. Once you've unboxed your ATHLEE CAMERA, here's a quick step-by-step guide to getting your video feedback started:

1. Charge your ATHLEE CAMERA for 4 hours and check that the LED has turned Solid Green to ensure that it's fully charged. See section 2.5 "LED Indicator" for more information.
2. Download the iOS ATHLEE APP in your App Store. See the email you have received from us for a link to the ATHLEE APP.
3. Turn on your ATHLEE CAMERA(S).
4. Navigate to WiFi settings on your iOS device
5. Connect to the ATHLEE CAMERA WiFi Network using your password.
6. Wait for a blue tick to appear in front of the ATHLEE CAMERA WiFi Network. Your device is now connected to the ATHLEE CAMERA(S).
7. Open your ATHLEE APP. You will now see the streams from your ATHLEE CAMERA(S) appear in the ATHLEE APP.

2. ATHLEE CAMERA

2.1 Overview

2.2 Intended Use

2.3 Specifications

2.4 Getting started

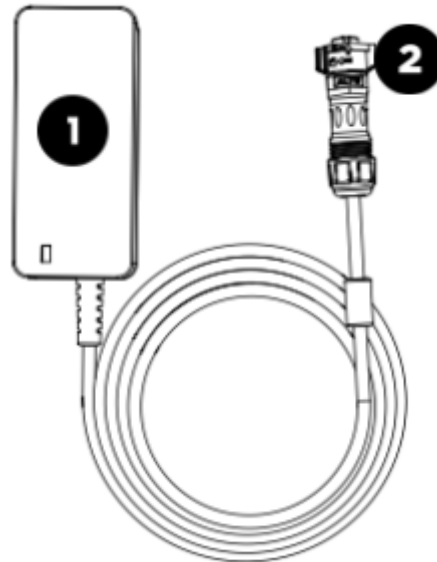
2.5 LED Indicator

Status	Color	Meaning
Off	None	The camera is off
Charging	Red Pulsing	The camera is off and the battery is charging. If removed from Power Supply and turned on the camera has less than 20 minutes of operation left
	Yellow Pulsing	The camera is off and the battery is charging. If removed from Power Supply and turned on the camera has less than 90 minutes of operation left
	Green Pulsing	The camera is off and the battery is charging. If removed from Power Supply and turned on the camera has more than 90 minutes of operation left
	Green Fixed	The camera is off and the battery is fully charged. If removed from Power Supply and turned on the camera has up to 10 hours of operation left
Turned on	Red Fixed	The camera has less than 20 minutes of operation left
	Yellow Fixed	The camera has less than 90 minutes of operation left
	Green Fixed	The camera has more than 90 minutes of operation left
Reset Activated		The LED blinks for a while. Leave the camera for 2-3 minutes after which a new WiFi network becomes available

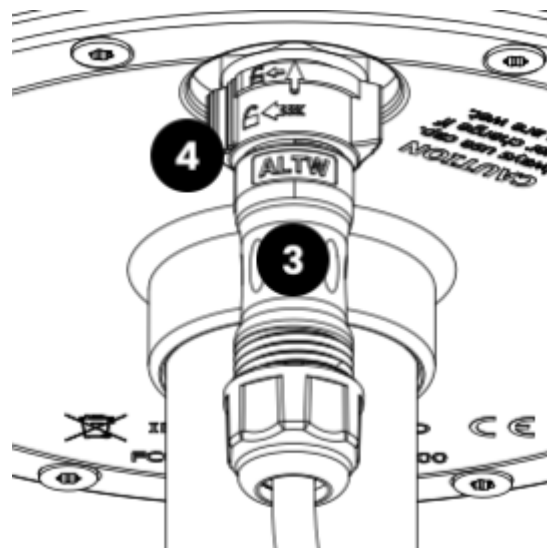
3. ATHLEE CHARGER

3.1 Overview

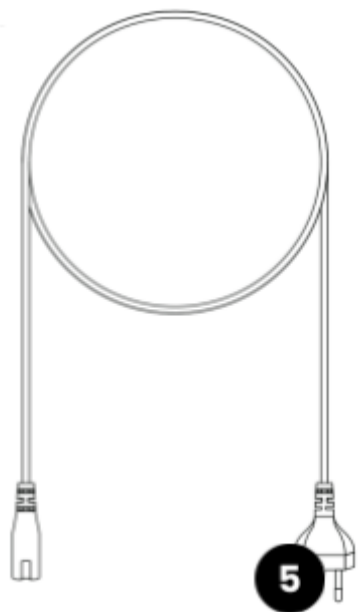
3.2 Charging the ATHLEE CAMERA



- 1** Charger Box
- 2** Charger Plug



- 3** Charger Plug mounted on the Charger Plug Receptable
- 4** Handle to release Charger Plug from Charger Plug Receptable (turn counterclockwise to release)



5 Charger Cable for the Charger Box .
EU (standard), US (standard), UK and
CH plugs available

3. ATHLEE CHARGER

3.1 Overview

3.2 Charging the ATHLEE CAMERA

Before using your ATHLEE CAMERA for the first time make sure to charge it for at least 4 hours..

HOW TO CHARGE YOUR ATHLEE CAMERA

1. Before removing the Cap for the Charger Plug Receptable (see section 2) make sure that your ATHLEE product has been wiped off from water and that the Charger Plug Cap and Charger Plug Receptable is completely dry.
2. Remove the Charger Plug Receptable.
3. Inspect both the Pins on the Charger Plug Receptable and on the Charger Plug for water. If any of the Pins are wet DO NOT CHARGE.
4. Once you have made sure that the all Pins are completely dry, connect the Charger Plug to to Charger Plug Receptable by aligning the arrow on the Charger Plug with the arrow on the Charger Plug Receptable and hereafter pushing in the Charger Plug until you feel or hear a click.
5. Connect your Charger Cable to your ATHLEE Charger Box
6. Connect your Charger Cable to a power outlet (see Charger Input in Section 2.3)
7. Check that your LED on your ATHLEE Camera is pulsing. Your camera is now charging.

4. DISPOSAL INFORMATION

4.1 Disposal Information

DISPOSAL INFORMATION

The ATHLEE product is electrical and electronic equipment containing batteries and have therefore been marked with the following pictogram.



This labeling means that the ATHLEE products are obliged to follow Directive 2012/19/EU of the European Parliament and of the Council of 4 July 2012 on waste electrical and electronic equipment (WEEE Directive), and batteries and accumulators in the products are obliged to follow Directive 2006/66/EC of the European Parliament and of the Council of 6 September 2006 on batteries and accumulators and waste batteries and accumulators.

Such products may not be disposed of with unsorted household waste but must be taken care of individually.

Batteries contain substances that can be harmful to human health and damage the environment if they are not handled properly. The ATHLEE product is electrical and electronic equipment containing batteries and must not be disposed with unsorted household waste. It must be disposed of separately.

Digital Cameras and integrated batteries are electrical and electronic equipment. Such equipment contains materials, components, and substances that can be harmful to human health and the environment if the waste is not handled properly.

As the final user of such equipment, it is important that you dispose of your used batteries and all electrical and electronic equipment at an established recycling service. This way, you are helping to ensure that the equipment is recycled in accordance with the law and thus treating the environment with respect.

In all municipalities you will find a recycling service that accepts all electrical and electronic equipment as well as batteries, or you will find that they can pick it up directly at your home. To learn more, please ask your local technical administration in your municipality.

5. SAFETY WARNINGS

5.1 Safety Warnings

5.2 Disclaimer

WARNING

WARNING indicates a hazardous situation which, if not avoided, could result in death or serious injury.

CAUTION

CAUTION indicates a hazardous situation which, if not avoided, could result in minor or moderate injury.

NOTICE

NOTICE is used to injury address practices not related to physical.

WARNING

- To avoid the risk of severe person or product damage never charge your ATHLEE product when the Charger Plug Receptable, Charger Plug Receptable Pins, Charger Plug, Charger Plug Pins, Charger Box or Charger Box Cable are wet
- Only charge your ATHLEE product using the battery charger supplied by ATHLEE.
- To reduce the risk of injury due to tip-over, always use your ATHLEE product on a stable surface and always place the Drybag on the Mount. The Drybag must be filled up with water to at least halfway to the white line on the inside of the Drybag. Do not place the ATHLEE product where it might fall and injure someone.
- If you notice any signs of possible damage such as melted plastic, abnormally high temperatures, odors coming from your ATHLEE product, contact ATHLEE immediately, via support@ATHLEE.com.
- Be sure to read the accompanying warnings and instructions for the charger cable.
- Handling the Athlee Camera that contains rechargeable batteries improperly may lead to fire or explosion.
- Keep the Charger Plug Receptable and Charger Plug away from paper clips, coins, keys, screws, or other metallic objects that could bridge the contacts. Short-circuiting caused by this may result in burns or fire.
- Avoid bumps and abrupt stresses.

If used incorrectly, corrosive battery acid may leak out of the rechargeable battery. Avoid any contact with it.

In the event of accidental contact, immediately rinse with plenty of water and seek medical attention. The power cord and charger are for indoor use only.

NEVER OPEN THE DEVICE HOUSING

– Repairs may only be carried out by an authorized specialist workshop. In the process, only parts that correspond to the original device data may be used.

Only use the accessory products specified by the manufacturer.

If water or other debris penetrates the product housing, immediately turn off the product. Then contact our customer service at support@ATHLEE.com.

If the device emits smoke, smells burnt, or produces unusual sounds, immediately disconnect it from the charger and do not operate it further.

NEVER MODIFY THE DEVICE IN ANY MANNER

– Unauthorized interventions may affect safety and functionality.

An unstable base may cause the unit to tip and injure or even kill a person; children are particularly at risk. You can prevent a large number of accidents by taking the following precautions:

- If the ATHLEE product is not securely mounted, do not use it in vehicles, in unstable locations, on wobbly tripods or furniture, with insufficient brackets, etc.

- Place the ATHLEE product in such a way that it cannot be knocked over inadvertently.

- When storing the ATHLEE product, also ensure that it stands or hangs safely and that it cannot be knocked down or over.
- Never allow children to operate electrical devices unsupervised.

CAUTION

- Avoid electrostatic charge or discharge. Never use synthetic cloths or sponges to clean the ATHLEE product; instead only use a cloth moistened with water without any additives.
- Always dry off the Glass after use (use a clean towel). Never let pool water dry on the Glass.

NOTICE

Gross misuse and incorrect care are the main reasons for damage to high-performance rechargeable batteries.

- Avoid deep discharge of under 20% for optimal rechargeable battery power. Charging the camera when the LED turns yellow will help you maintain optimal rechargeable battery power.
- Recharge your ATHLEE product frequently.
- Store your ATHLEE product in a cool, but frost-free area, ideally at 15° C/59° F. Higher temperatures result in a higher rate of self-discharge and shorten the intervals between charges.
- Do not store the ATHLEE product in direct sunlight or other sources of heat.

- A deep discharge damages the rechargeable battery cells. The most frequent cause of deep discharge is prolonged storage or failure to use a partially discharged rechargeable battery. Only store the ATHLEE product once it is fully charged.
- If the ATHLEE product is subjected to warm temperatures after being cold (e.g. after transport), condensation may occur inside of it. In this case, wait at least 2 hours before you connect and activate the ATHLEE product.
- Be sure to contact ATHLEE if you have any concerns or if you notice melting plastic or odors coming from your ATHLEE product.
- Do not place open fire sources such as burning candles or similar on the ATHLEE product.
- Do not place the ATHLEE product near heat sources (e.g. heaters, ovens).
- If the ATHLEE product is to be unattended for a prolonged period make sure to always fully charge and then disconnect the charger. Be sure to store your ATHLEE product in a clean and sheltered location.

5.1 Safety Warnings

5.2 Disclaimer

DISCLAIMER

ATHLEE needs to draw special attention to the fact that the following actions will exempt ATHLEE from any responsibility:

- Charging when the Charger Plug, Charger Plug Receptable, Charger Plug Pins, Charger Plug Receptable Pins, Charger Box or Charger Cable are wet
- Wrongly plugging in the Battery Charger
- Exposure of the Charger Plug Receptable and Charger Plug Receptable Pins to any form of water without proper mounting of the Cap for the Charger Plug Receptable
- Exposure of the ATHLEE Battery Charger, Charger Plug or Charger Plug Pins to any form of water
- Using ATHLEE products for other purposes than Intended Use (See Section 2.2)
- Using other chargers than the one produced and delivered by ATHLEE
- Unsanctioned modification, rebuilding or repurposing of any parts of any ATHLEE product
- Failing to dry off Glass after use

6. WARRANTY AND SERVICE

6.1 Warranty and service

THE TERMS AND CONDITIONS FOR THE PURCHASE OF THE ATHLEE PRODUCTS SPECIFY THE WARRANTY FOR DEFECTS AND CONFORMITY, THAT IS GRANTED BY ATHLEE. THE TERMS AND CONDITIONS CAN BE FOUND AT [ATHLEE.COM/TERMS.PDF](https://athlee.com/terms.pdf)

THE RIGHTS UNDER THE RESPECTIVE WARRANTIES, THEIR CONDITIONS, LIMITATIONS AND REMEDIES ARE SPECIFIED IN THESE TERMS AND CONDITIONS. WE ADVISE YOU TO READ OUR TERMS AND CONDITIONS. CONSUMERS WITH RESIDENCE IN THE EU ARE REMINDED THAT THEY ARE ENTITLED TO A LEGAL GUARANTEE.

How to obtain warranty service or make a warranty claim:

Contact ATHLEE ApS, Diplomvej 381, 2800 Kongens Lyngby, Denmark, CVR nr. 40360077, Phone: +45 60 61 60 58; E-Mail: support@ATHLEE.com

7. LIMITATION OF LIABILITY

7.1 Limitation of Liability

THE REMEDIES DESCRIBED IN OUR TERMS AND CONDITIONS ARE YOUR SOLE AND EXCLUSIVE REMEDIES AND OUR ENTIRE LIABILITY FOR ANY BREACH OF WARRANTY. OUR LIABILITY SHALL BE LIMITED AS STATED IN OUR TERMS AND CONDITIONS. WE ADVISE YOU TO READ OUR TERMS AND CONDITIONS. THE TERMS AND CONDITIONS CAN BE FOUND AT ATHLEE.COM/TERMS.PDF

8. CAMERA MAINTENANCE

8.1 Camera Maintenance

Charging

Always make sure that the Charger Plug and the Charger Plug Receptacle Pins are completely dry when charging.

Glass

Always dry off the Glass after use. Use a clean towel to dry off the Glass. Never let pool water dry on the Glass.

Battery

Charge regularly to ensure long battery life.

9. FINAL REMARKS

9.1 Final remarks

TRADEMARKS

Names and logos in this user manual or on the product packaging are trademarks owned by ATHLEE. These may not be copied nor used without the permission of ATHLEE.

We hope that you'll have an awesome time with your ATHLEE product, and please feel free to reach out to us with questions, ideas, or anything else. We'd love to talk to you!

Business Address:
ATHLEE ApS
Diplomvej 381, 2800 Kongens Lyngby,
Denmark
+45 60 61 60 58
support@ATHLEE.com