

5th Gen 1500 Reverse Light Brackets

INSTALLATION INSTRUCTIONS

SAFETY

Your safety is extremely important to us. Working on vehicles has ever-present hazards which require precautions at all times to avoid injury or death. We've outlined some precautions to take below in order to help you make informed decisions about your safety before installing this product. This is not an exhaustive list, and you must use your own good judgment before performing any work in each step of this installation.

ALWAYS:

- wear eye protection
- use tire blocks and emergency brake
- disconnect battery(s)
- use care when moving components
- route electrical cables away from moving parts
- identify all pinch points
- wear gloves
- identify slipping and tripping hazards
- wear steel toe footwear
- understand proper use of tools before use
- work on a flat surface
- use care when lifting components
- insulate cables
- jack your vehicle from the OEM's lifting points
- torque all fasteners to suggested specs
- remove any hazards before starting on the job

LIABILITY

All liability for installation and use of this product rests with the owner. Improper installation, maintenance, and operation can result in serious injury or death as well as equipment or vehicle damage. Use this product at your own risk.

SET UP

1. Read this entire document before performing any work.
2. Gather the tools required, outlined in **Table 1**.








Table 1

Tool List	
○	13mm and 9/16" Wrenches/sockets
○	Zip ties

3. Park your vehicle on flat ground, engage the emergency brake and block the tires before working under it.

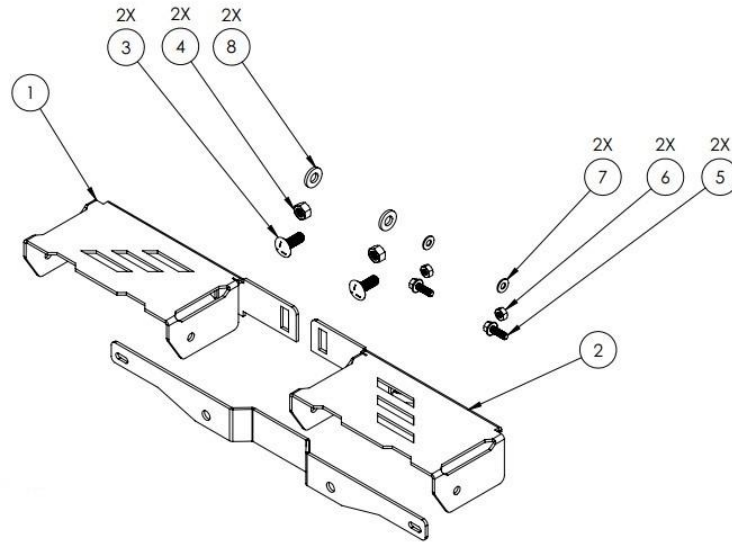
Parts List

Brackets and Hardware

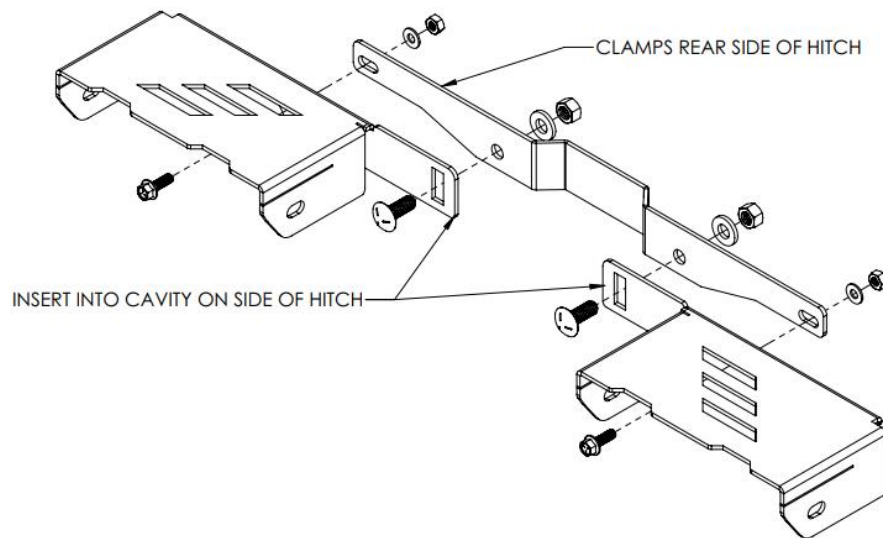
100198 COMPONENTS		QTY
	Center Bracket	1
	Driver's Side Bracket	1
	Passenger's Side Bracket	1
BRACKET INSTALL HARDWARE		QTY
	3/8"-16 x 1" Zinc Carriage Bolt	2
	3/8" Flange Nut	2
	M8-1.2 x 16mm Flange Bolt	2
	M8 Flange Nut	2

LED Lights and Wiring

Item No.	PART NUMBER	DESCRIPTION	QTY
9	10-20152	8" Single Row Lightbar	2
10	10-30036	Deutch DT 2 Light Harness Splitter	1
11	300106	HARNESS, 7-PIN TO DEUTSCH, REVERSE LT	1



1. Assemble the brackets and lights together using the hardware supplied (note washers shown in examples have been replaced with flange nuts, no washers will be needed) with the lights.
2. Place the tab on one of the light brackets, and a carriage bolt into the cavity beside the hitch of the vehicle.
3. Place the long clamp bracket onto the rear of the hitch
4. Thread the carriage bolt through the hitch flange, and then through the hole in the rear support bracket supplied. Loosely tighten.
5. Install the opposite side light bracket in the same manner.
 - a. The flange of the hitch should be “clamped” between the Vice light brackets and the long clamp bracket.
6. Install the M8 flange bolts.
7. Level the lights and then tighten the bracket down.



8. Connect the supplied reverse light tee-harness by disconnecting the 7-pin connector from the back side of the bumper and connecting the new harness in line.
9. Connect the splitter harness to the mating connector on the tee harness, and each light.
10. Tie strap all wires and cables up and out of the way.