

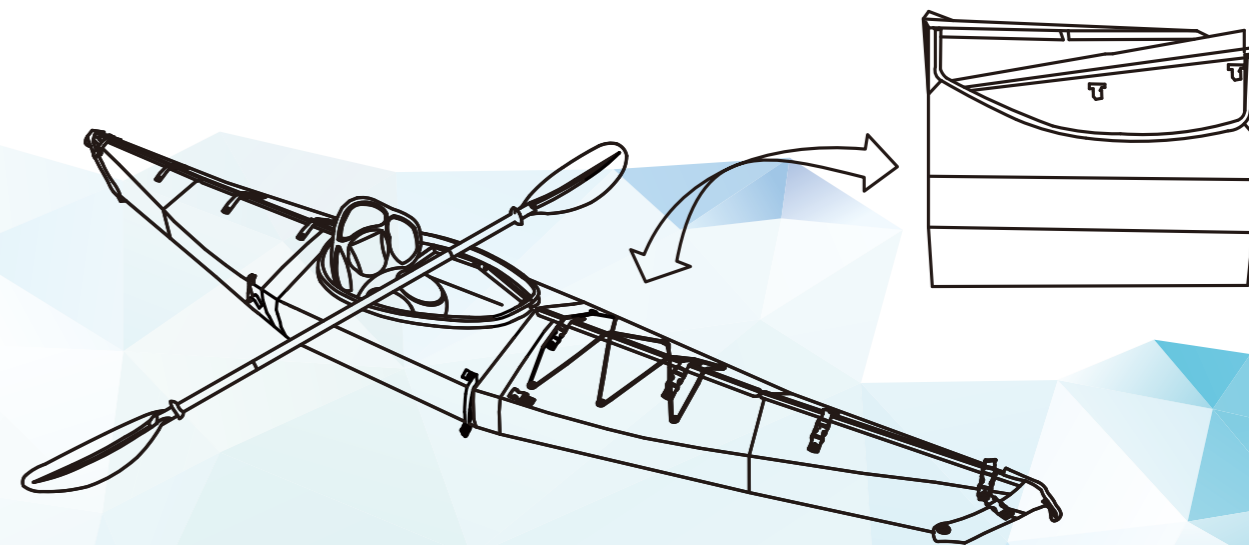
ENJOY YOUR PORTABLE FOLDING KAYAK

Product Highlights

- + Light Weight: With All the accessories, Only 18kg, Half weight of traditional Kayak.
- + Durability: Using 5 mm double-layered, custom-extruded polypropylene. more than 2000 times fold cycles.
- + Easy to carry: Folding size 86*71*30cm (33.8*28*11.8 inch), A box size that can fit in any car boot, buses.
- + Convenience: 8-10 minutes Assemble the kayak, Fold it 2-4 minutes.
- + Performance: Go kayaking in condition up to the third level gentle breeze. The effective speed can reach 4.3-7.5 MPH.
- + Colorful choices: Standard color selection White, Yellow, Black. can customize colors if quantity bases.
- + CE&RoHS certificated

Portable

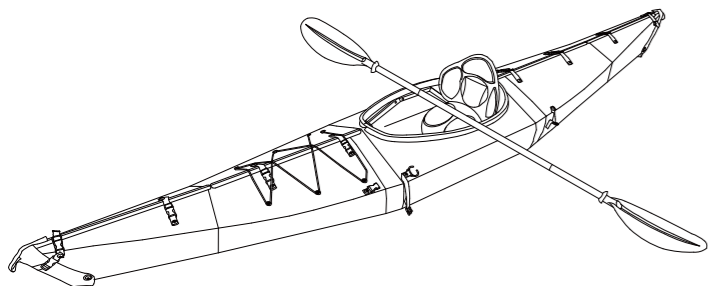
and Practical



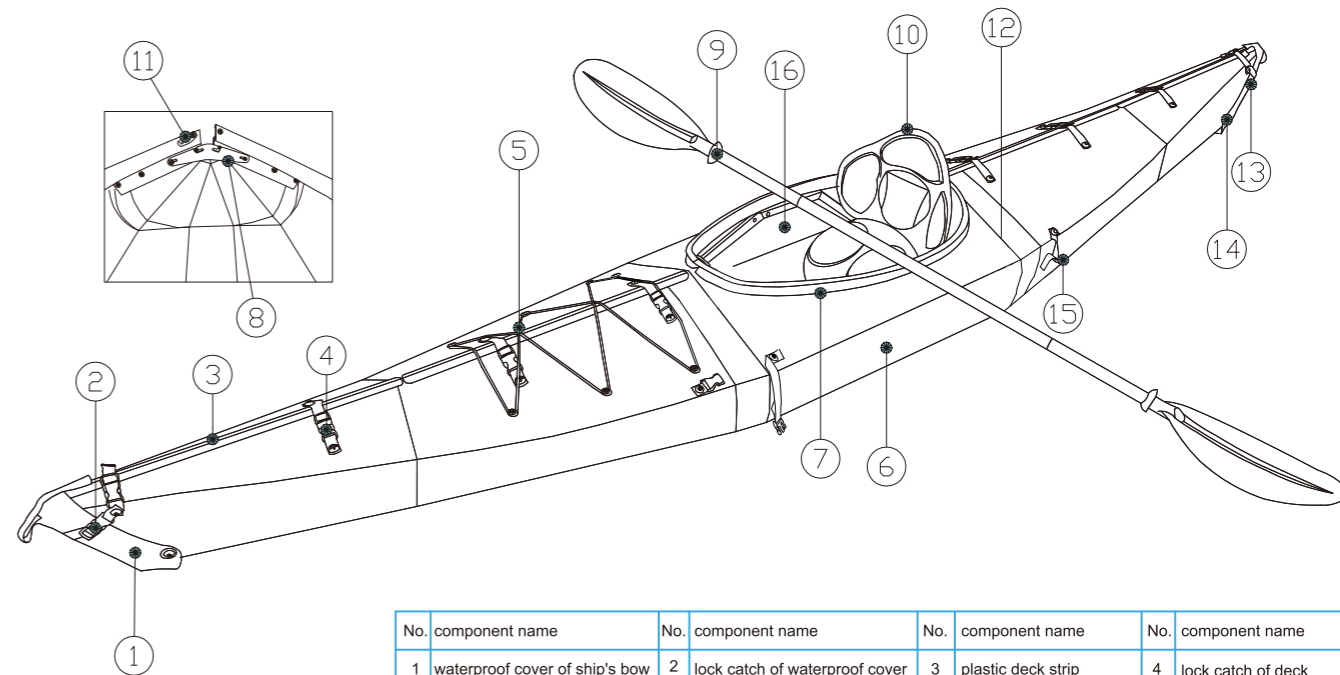
Installation Manual

PORTABLE FOLDING KAYAK

PART NAME



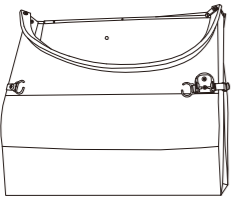

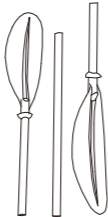


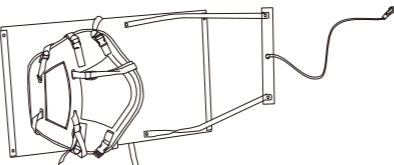
Fold size (hull)	33.8*28*11.8 Inch (86*71*30cm)
Package size (outer case)	34.6*30.3*13.8 Inch (88*77*35cm)
Expansion size	154*25.6*13.8 inch(390*65*35cm)
Net weight	40lbs(18kg)
Gross weight of standard package	46.3lbs(21kg)
Maximum load	330lbs(150kg)
Maximum Anti-wind Wave Rating	Sea breeze 3
Folding durability	2000 times
Antioxidant life	3 year anti-aging
Wear resistance grade	primary (Customers are strictly prohibited to drag on the concrete floor)
Impact resistance level	Advanced, while handling, collision to the reef and other obstacles would slightly affect the hull. The kayak can be effective against impact.
Corrosion resistance	The material of hull is completely strong acid, alkali and salt resistance. The acid, alkali and salt resistance of accessories are 3 years.
Bag tensile strength	110 Pounds
Sailing speed	According to individual physical strength, effective speed can reach 7-12km/h (4.3-7.5 MPH)
Assembly time	Single person can assemble the kayak in 8-10 mins
Storage and folding	Single person in 3-4 mins



No.	component name	No.	component name	No.	component name	No.	component name
1	waterproof cover of ship's bow	2	lock catch of waterproof cover	3	plastic deck strip	4	lock catch of deck
5	deck rope	6	kayak hull/ body	7	cabin circle	8	large lock catch of cabin
9	kayak paddle	10	kayak seat	11	small lock catch of cabin	12	pedestal of holder
13	waterproof cover of ship's stern	14	fixing crew of waterproof cover	15	folding lock catch	16	seat fixing plate

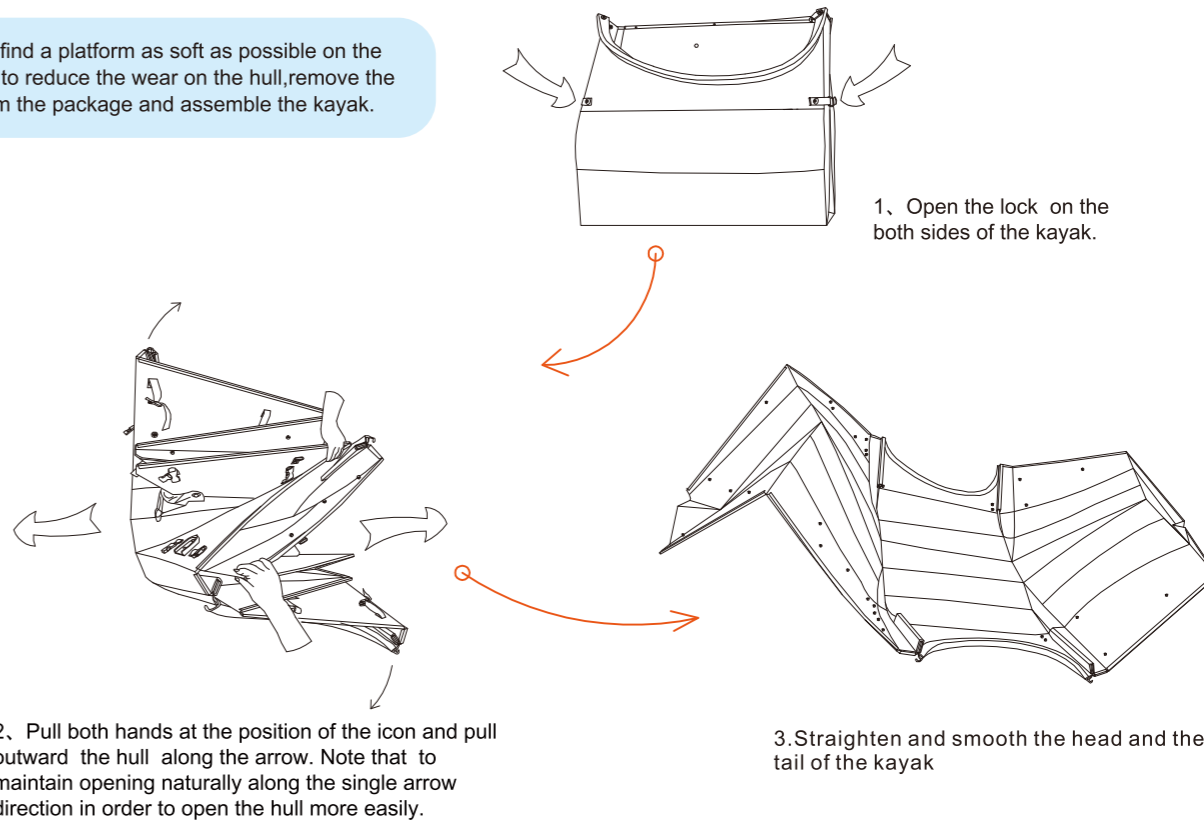
PORTABLE FOLDING KAYAK

ACCESSORIES DETAIL OF PRODUCT PACKING

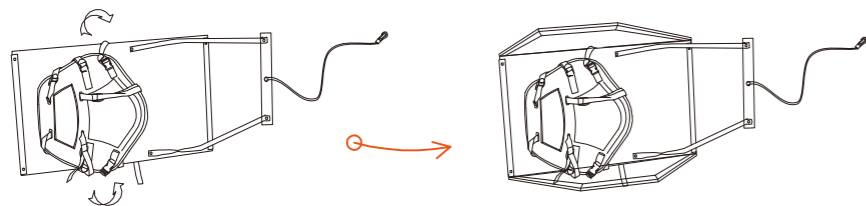
			
KAYAK HULL PART(1pcs)	DECK ROPE (1pcs)	THREE PARTS ASSEMBLING PADDLE(1pcs)	LIFE JACKET(1pcs)
			
PLASTIC DECK STRIPS(6pcs)		SEAT PART (1pcs)	

THE ASSEMBLY PROCESS OF FOLDING KAYAK

Please find a platform as soft as possible on the ground to reduce the wear on the hull,remove the hull from the package and assemble the kayak.

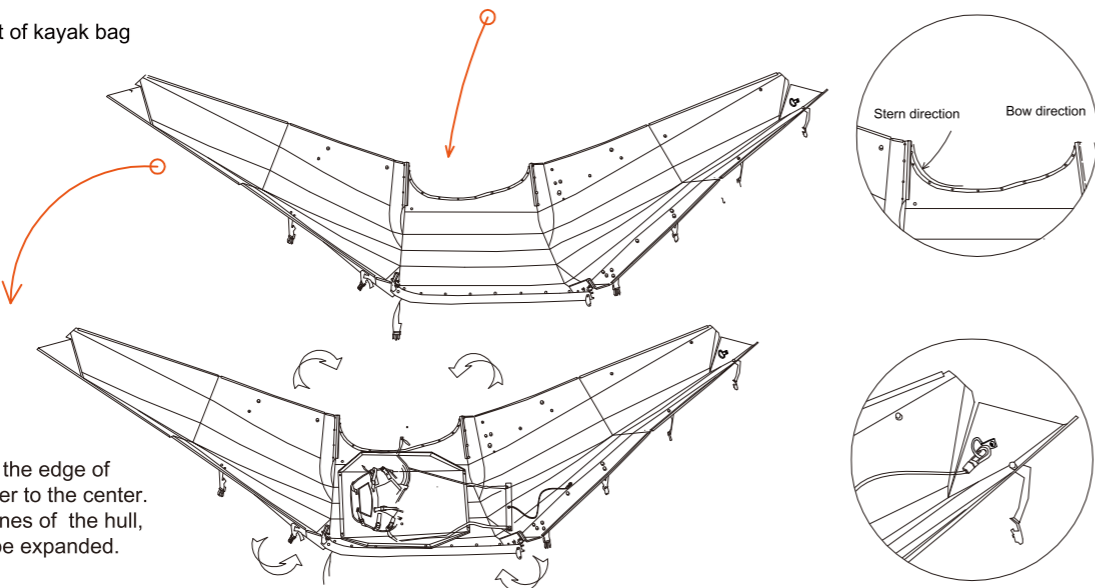


PORTABLE FOLDING KAYAK



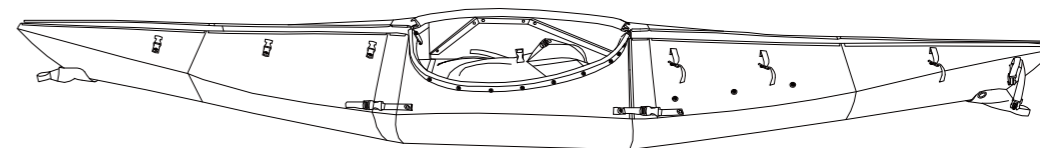
4. Take the seat out of kayak bag

5. Fold the seat accessories along the direction of the arrow, and place in the center of the extended kayak hull. Tie the pedal rope to the bow hook. Special attention: the back of the seat is on the large arc side of the kayak cabin, and the small arc is the direction of bow.

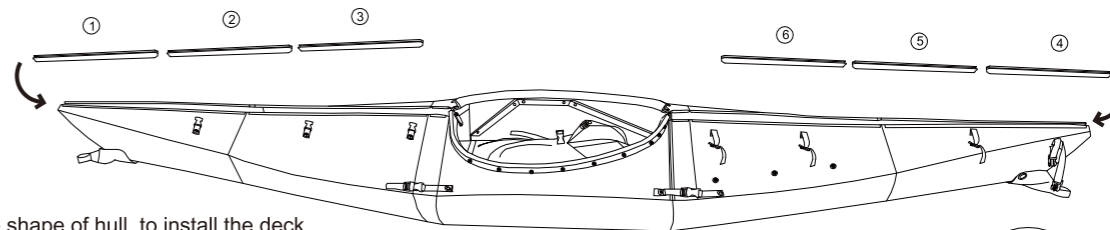
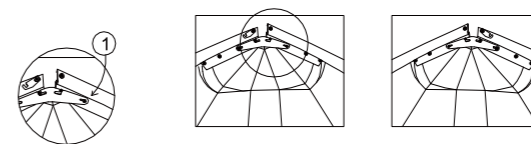


6. After fixing the seat, pull the edge of the cabin and move closer to the center. Pay attention to all fold lines of the hull, and all the fold need to be expanded.

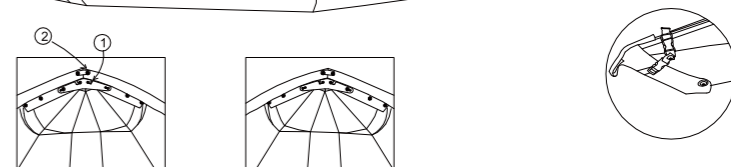
THE ASSEMBLY PROCESS OF FOLDING KAYAK



7. After pulling the hatchet according to the instructions on the thumbnail, hang it on the screws of the deck lock as shown by arrow 1. Correct the hull's shape after the big lock around the cabin was being locked. Make sure the hull is properly expanded.



8. After sorting out the shape of hull, to install the deck strips in turn along the cabin edge. The deck strips should be stuck on the same side of deck. Then, according to the small picture, aimed at the screw groove of Arrow 1, tightening up the deck, while paying attention that both sides of deck should be stuck into the deck strips. Hold the small lock of arrow 2 after catching. After that, lock all lock catches on the deck.

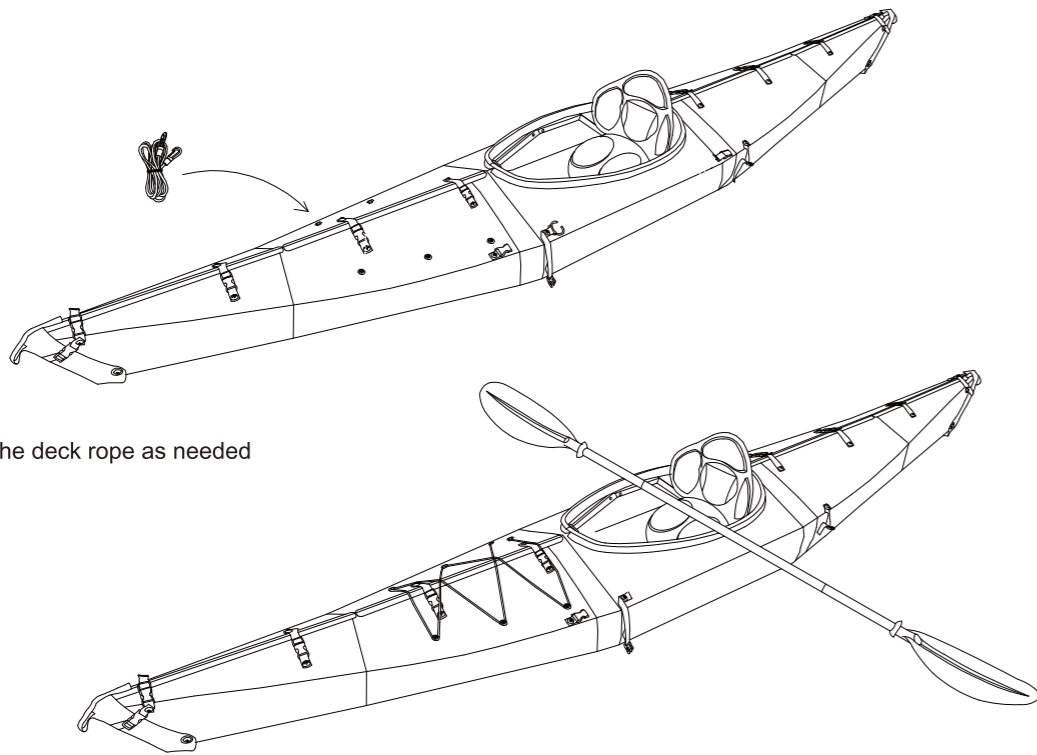


9. Note: The ribbon lock on the bow and the stern waterproof cover should be installed.

Note: please fix the SIDE MOUNTING PLATE in the round screw of the nacelle to provide enough strength for the hull while assembling.

PORTABLE FOLDING KAYAK

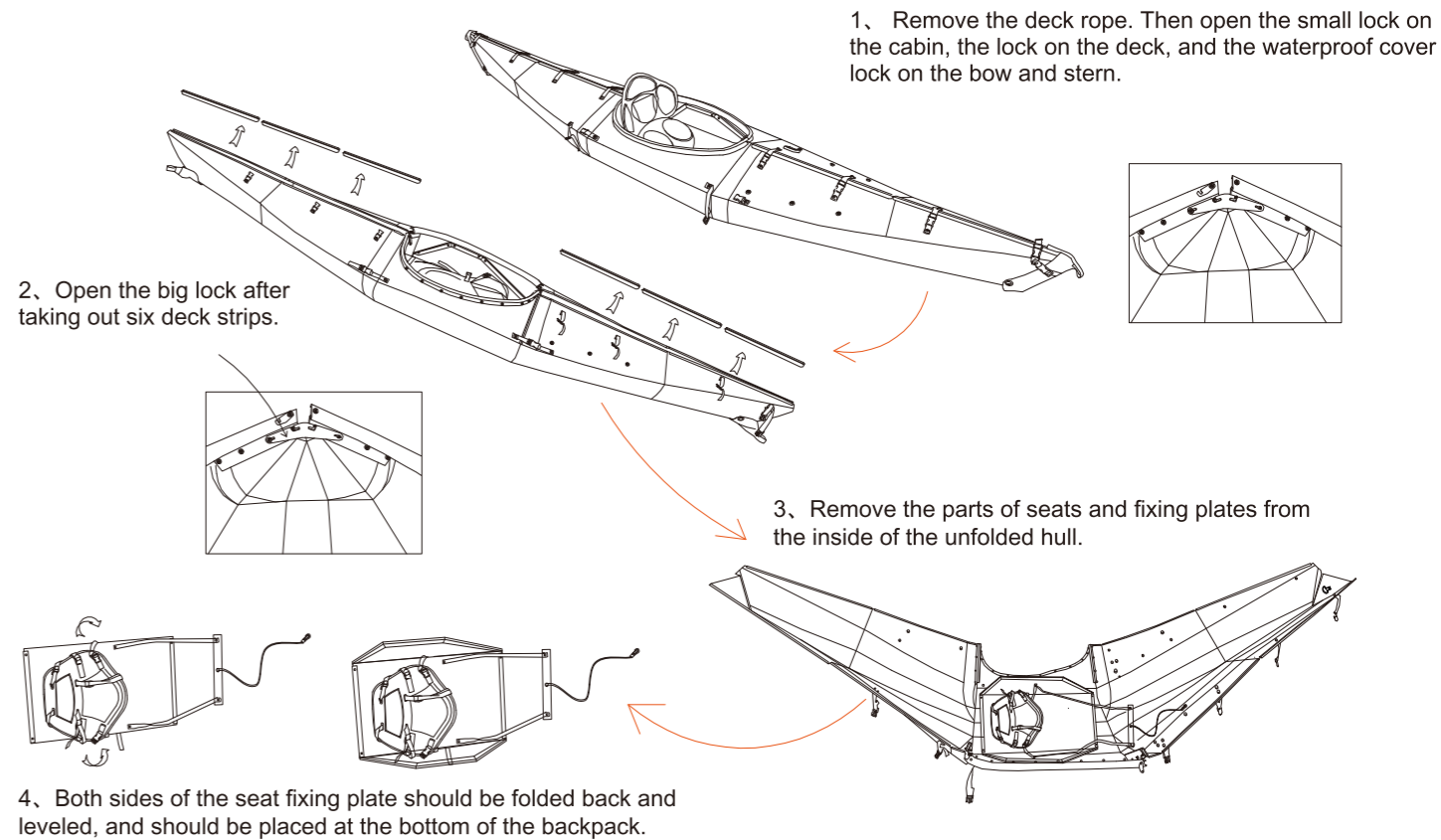
THE ASSEMBLY PROCESS OF FOLDING KAYAK



10. Install the deck rope as needed

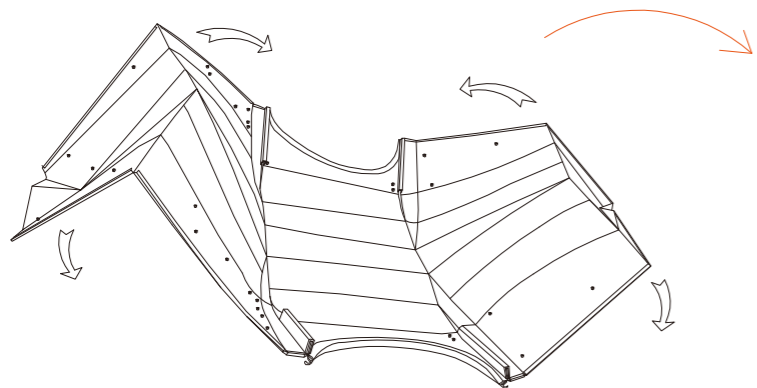
11. The overall state after assembling

UNFOLD THE KAYAK



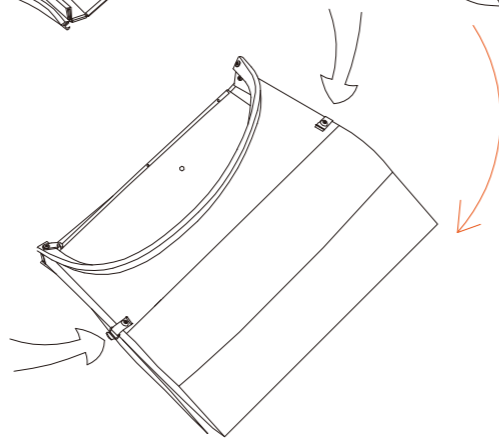
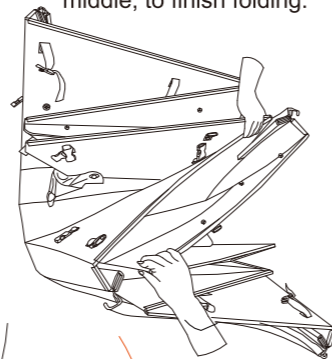
PORTABLE FOLDING KAYAK

FOLD THE KAYAK



5、 The bow and stern of hull should be folded outside along the middling fold line and folded to the center at the same time.

6、 Both hands hold the folded lines of the bow and stern, to insert each other in the middle, to finish folding.



7、 Lock the folding latch on both sides of the hull to complete the assembly. Deck strips, paddles and other accessories can be placed in the interior of the hull.

SAFETY GUIDE



- 1、 AS kayaking is an active sport.if do not follow the safety rules it may lead to dangerous situations .
- 2、 Please acquaint yourself with detailed safety instructions and devices beginning your kayaking experience.
- 3、 When safety rules are not followed ,all responsibility for accidents lies with the kayak operator.

BEFORE YOU GO KAYAKING

- 1、 Kayaking is a sport, enjoyed on calm lakes or softly flowing inland waterways. Please do not go kayaking in water with waves such as the sea or in valleys.
- 2、 You must not go kayaking if you are not feeling well or after drinking alcohol.
- 3、 Please go kayaking after adequate practice and stretching.
- 4、 You must pay careful attention to the weather before you go kayaking.
- 5、 If you notice a sudden change in the weather, Please get out of the water immediately.

BEAUFORT WIND SCALE

- 1、 You may go kayaking in conditions up to the third level (gentle breeze)of the Beaufort Wind Scale.
- 2、 You must not go kayaking windy conditions starting from the fourth level (moderate breeze)
- 3、 The beaufort wind scale is not an absolute criteria for judging wind conditions . However,you are advised to use the scale when you go kayaking because it can help you judge wind speed when used along with observations made with the naked eye.

Wind level table

Wind level and symbol	name	Wind speed (m / s)	Terrestrial image	Sea waves	Wave height (m)
0	No wind	0.0-0.2	Smoke straight	calm	0.0
1	light air	0.3-1.5	Smoke wind direction	Microwave no droplets	0.1
2	Breeze	1.6-3.3	Feel the wind	The small crest is not broken	0.2
3	breeze	3.4-5.4	Banner starts	Wavelet crest rupture	0.6
4	Wind and wind	5.5-7.9	Blow up dust	Xiaolang white foam peak	1.0
5	Windy	8.0-10.7	The tree swings	In the wave crest peak group	2.0
6	Gale	10.8-13.8	The wires are sound	Big waves to a droplet	3.0
7	blast	13.9-17.1	Difficult to walk	Break the peak of the foam into the article	4.0
8	Gale	17.2-20.7	Destroy the branches	Long waves have waves	5.5
9	Gale	20.8-24.4	Small damage to housing	Wave crest	7.0
10	The wind	24.5-28.4	Pull up the trees	The waves roll roar	9.0
11	storm	28.5-32.6	Damage is widespread	The crest is full of droplets	11.5
12	typhoon	32.7-	Destroy the huge	The waves are monstrous	14.0

Note: The wind speed shown in this table refers to the wind speed at 10 meters above ground level. By the wind vector, said the wind from the wind and the wind feathers composition. Wind to the stalk: refers to the wind industry, there are eight directions. Wind Feather: Windshed from 3, 4, and dashes indicate winds, vertical to the right end of the wind direction (northern hemisphere).