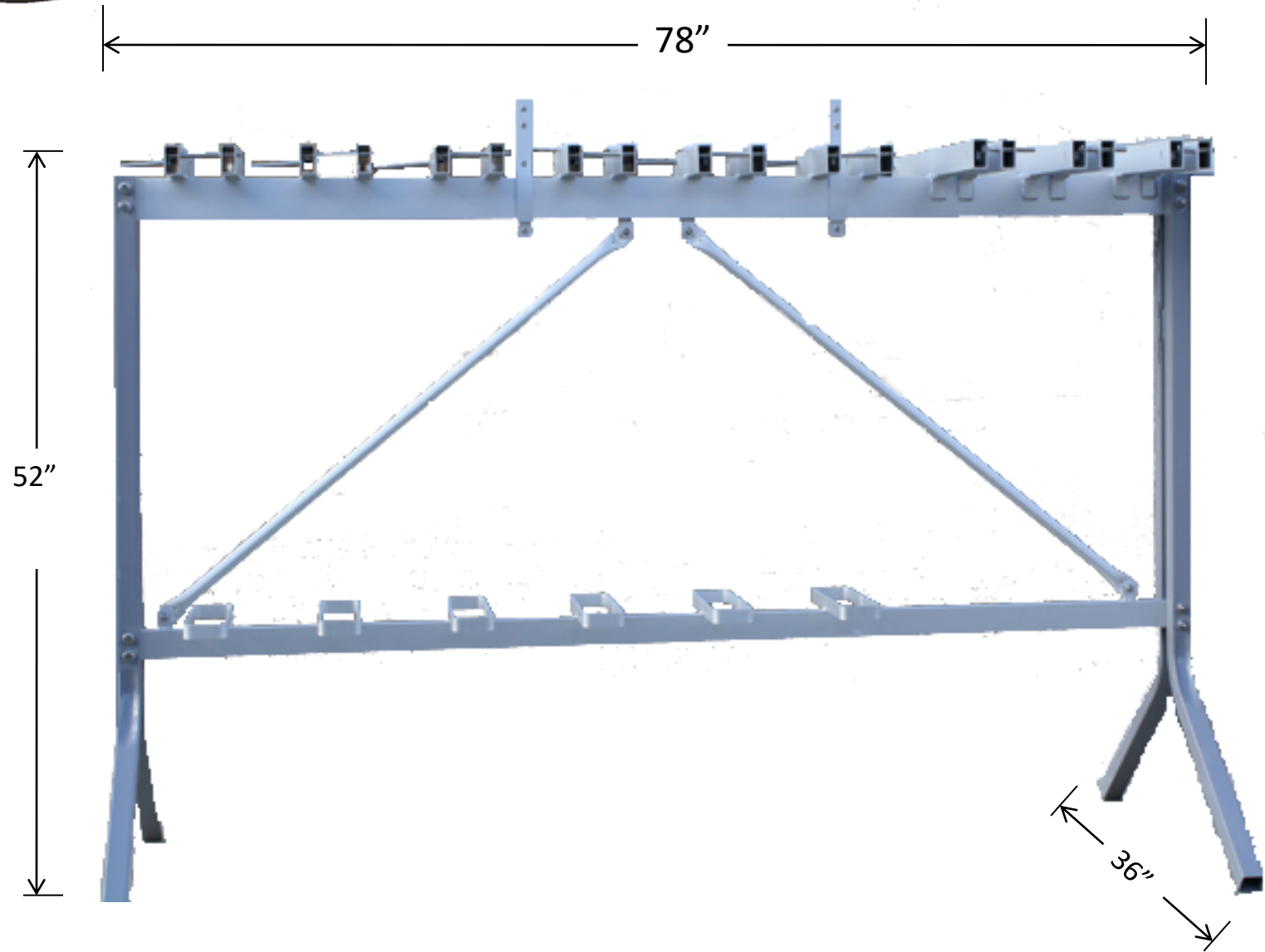


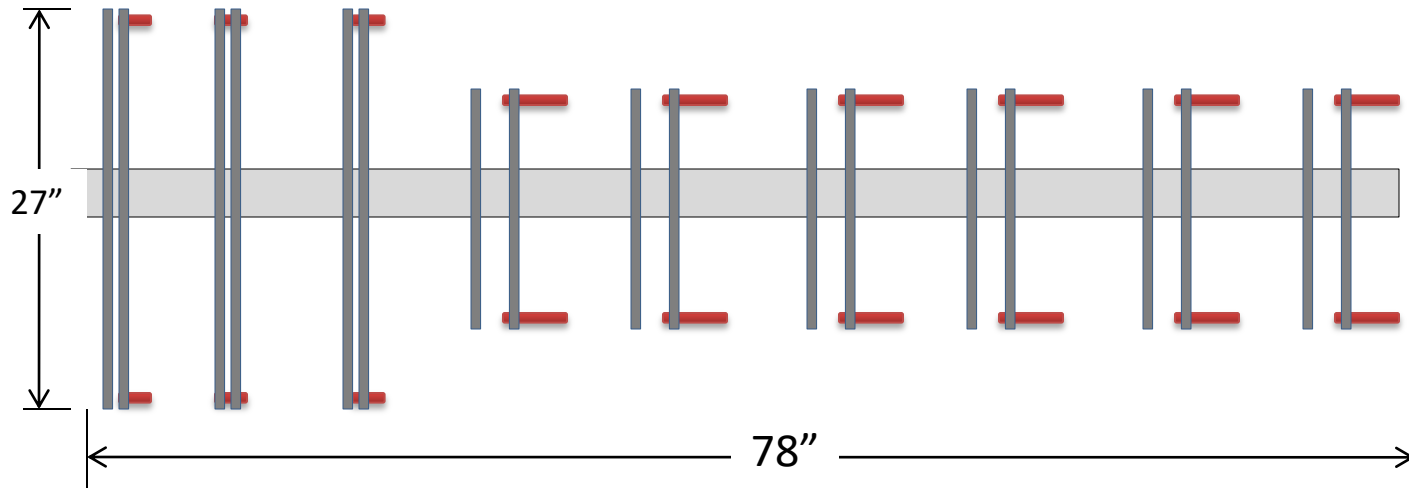


# Freestanding Combo Measurements



# Freestanding Combo Rack Configuration

(Aligns with industry customer percentages-2/3 Ski, 1/3 SB)



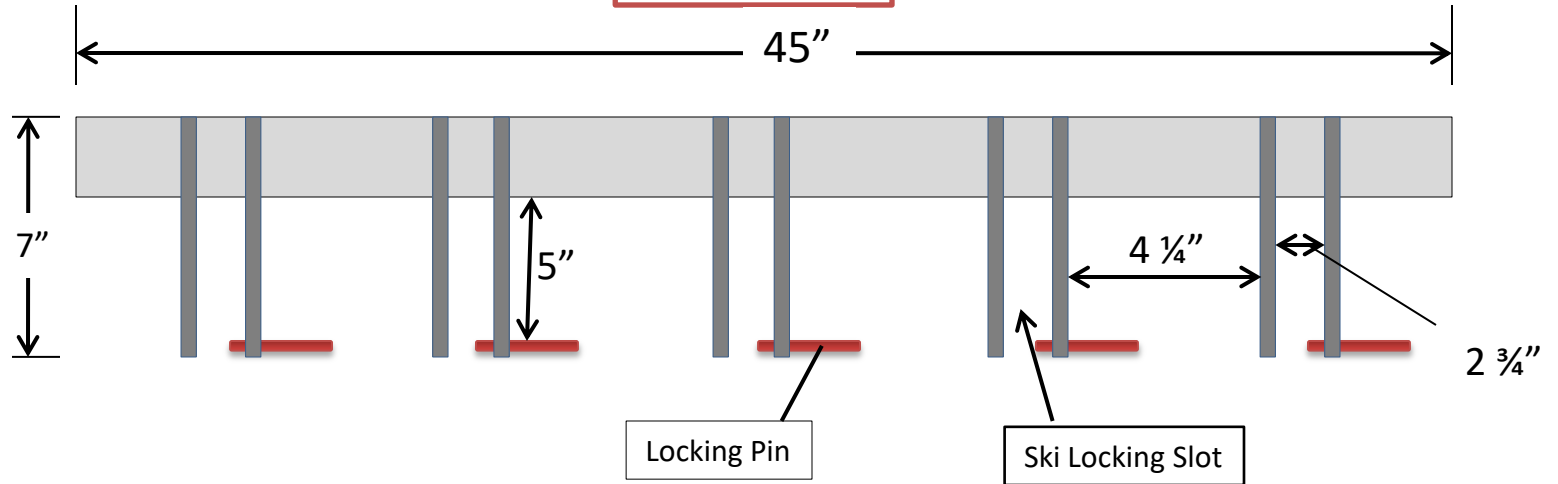
Top View

Ski Combo Configuration- Item # (FS-SSBC-1)  
18 Lockable Slots – 12 Skis, 6 Snowboards + 16 Unlockable Spaces

# SKI Wall Mount Rack Measurements

(Locks 5 Pair of Shaped Skis)

Top View



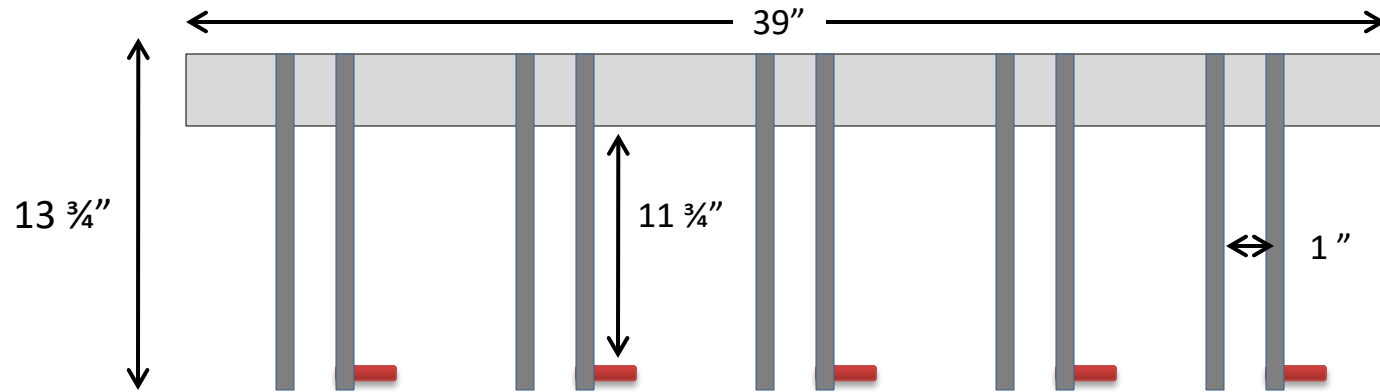
**NOTE:** If your skis measure 5" or less wide just above the binding top piece your skis will fit this (Ski Wall) rack  
If they are wider than 5" at the toe piece you will need to use our Snowboard/Fat Ski Wall Rack



# SNOWBOARD/FAT SKIS Wall Mount Rack Measurements

(Locks 5 Pair of Shaped Skis)

Top View



Snowboard/Fat Skis - 5 Lockable Slots