



Installation & User Manual

HY-1042

HY-1242

HY-1342



Important :

Read this manual carefully before installing this product.

This manual contains important product and safety information. Do not discard the manual after reading

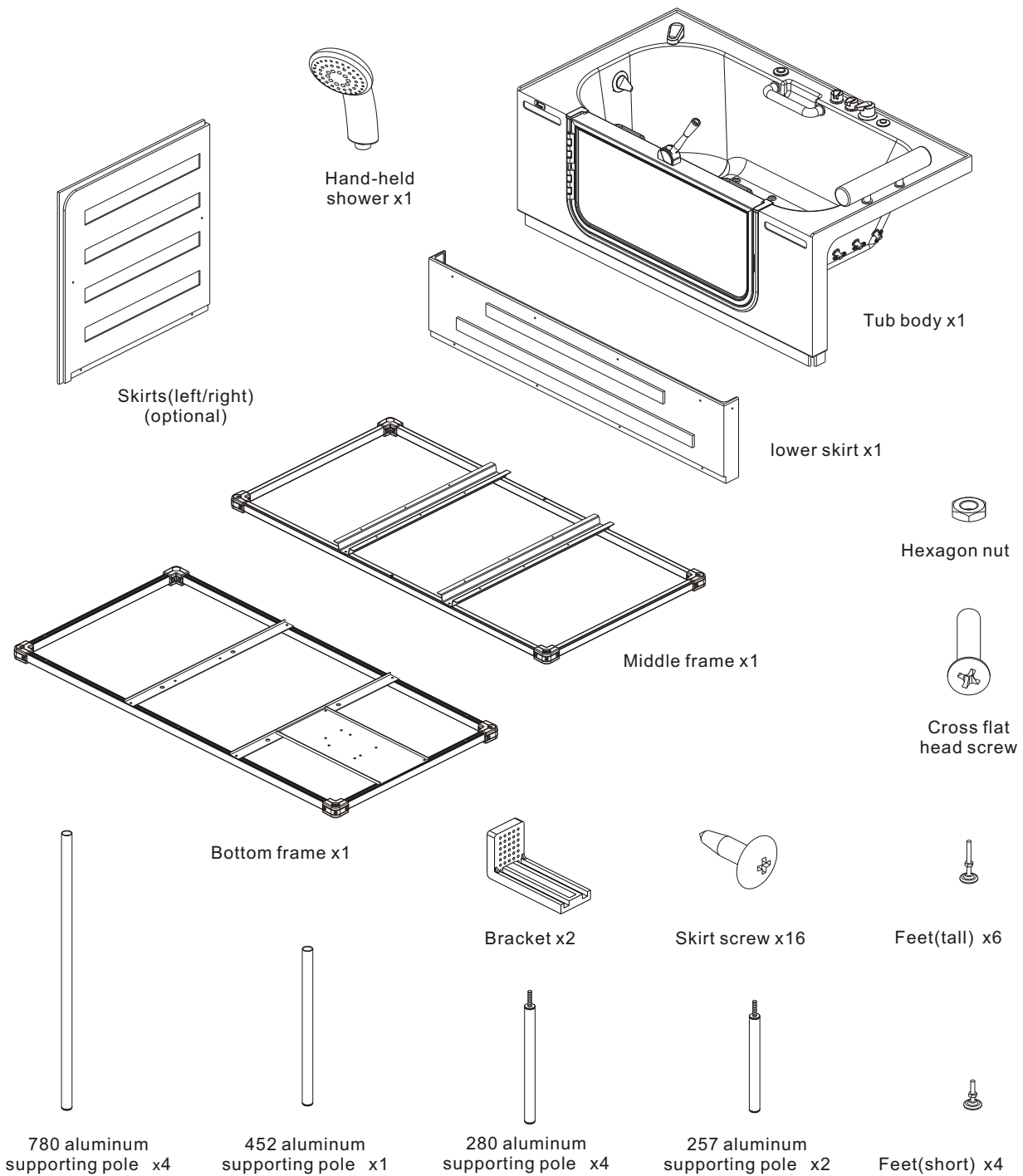
Index

- Packing list.....1
- Assembly Instructions.....2
- Electrical installation.....11
- Safety guidelines.....12
- Specifications.....13
- Accessories.....13
- Bathtub usage.....14
- Maintenance.....16
- Troubleshooting guide.....16
- Component list.....17

We keep improving and upgrading the product. All rights reserved. Specifications are subject to change without notice.

Packing List

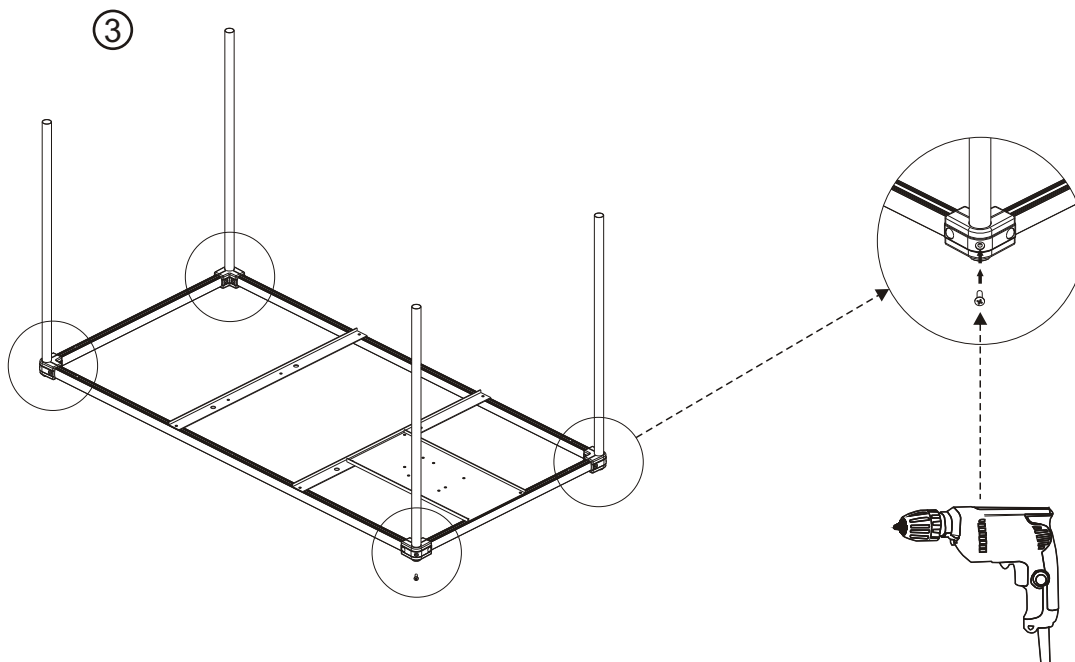
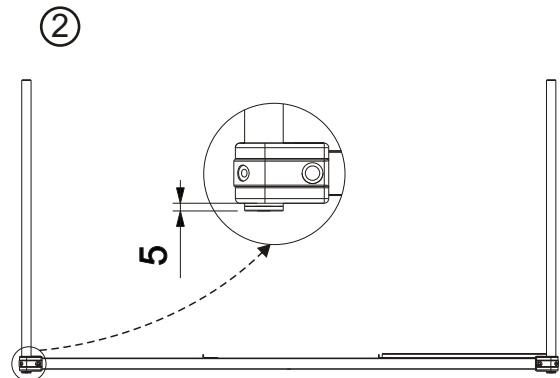
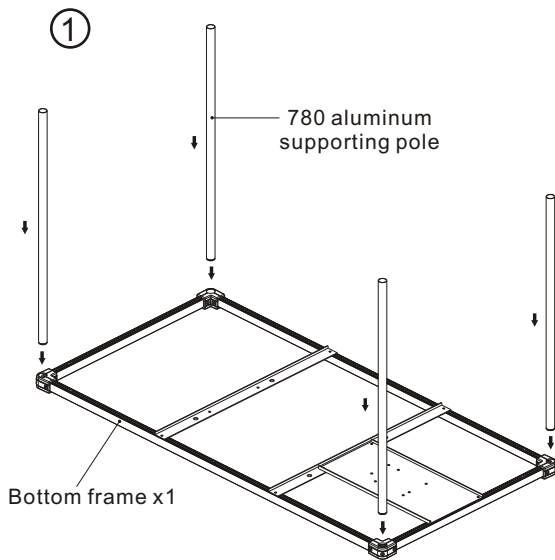
Check the parts in the boxes against the packing list, if any part is missing contact the supplier.



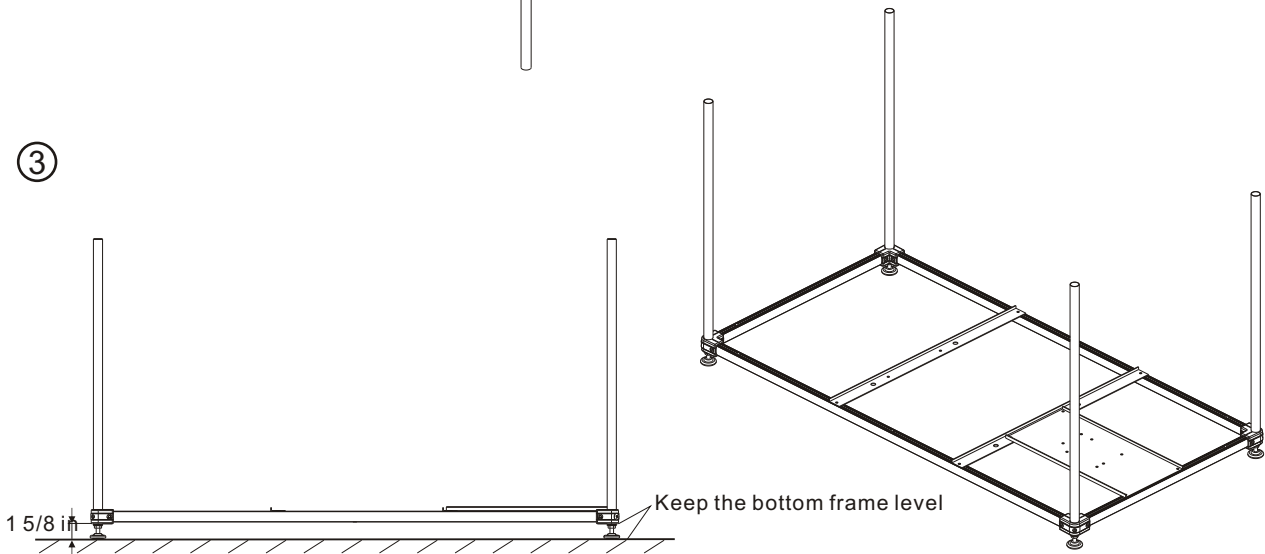
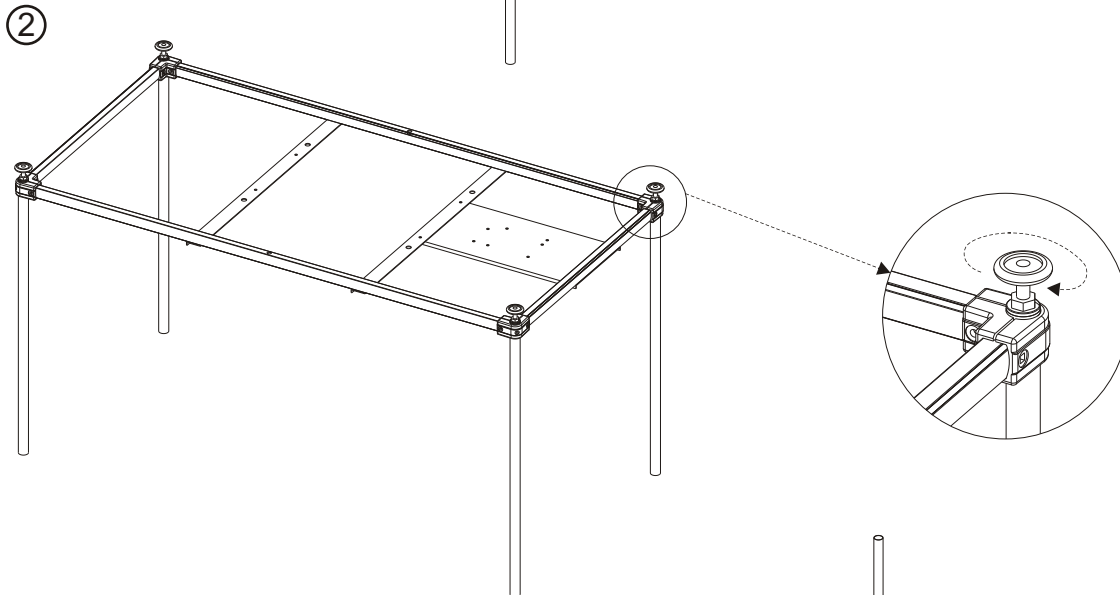
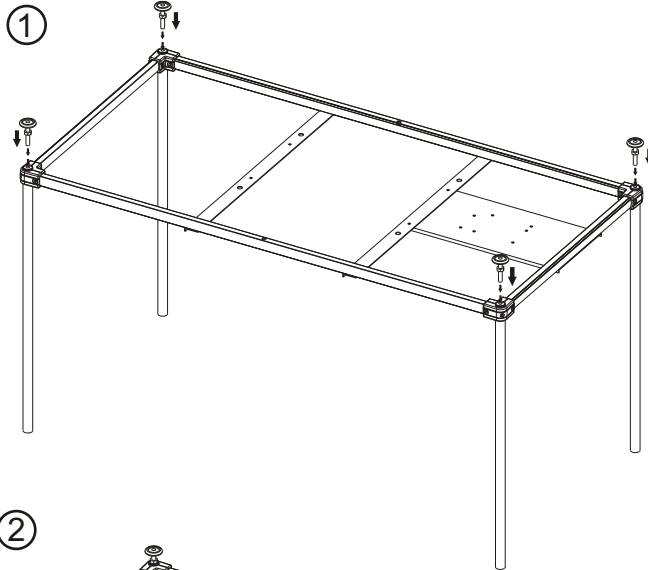
Assembly Instructions

Step 1:

1. Take bottom frame and place it on the ground.
2. Insert four #780 support poles in the corner holes of the frame. (figure 1 and 2)
3. Align the screw holes and secure the support poles tight in the frame. (figure 3)



Step 2:

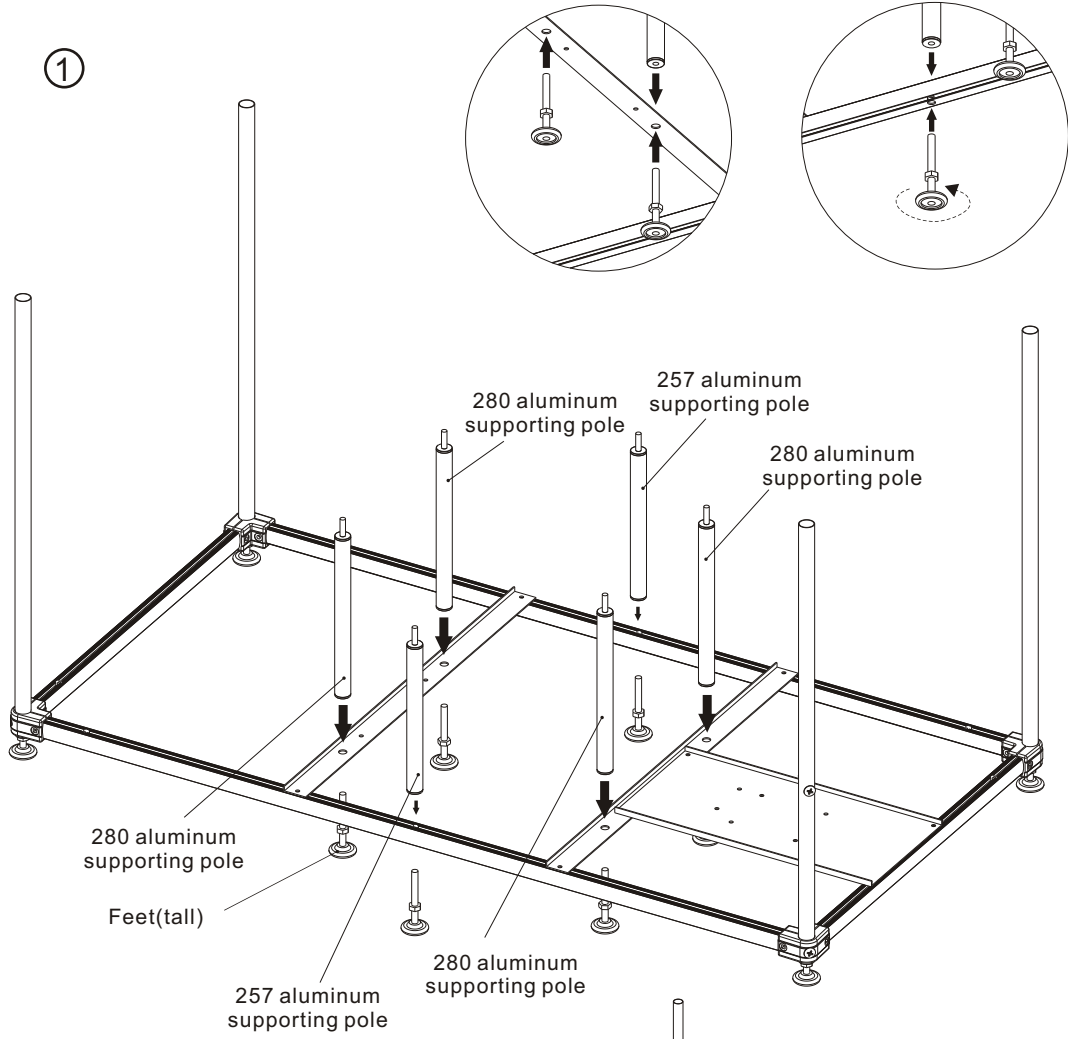


1. Turn the frame upside down.
2. Take 4 short feet and install them on the end of #780 support pole at bottom frame.(figure 1)
3. Adjust the feet so the bottom frame is level.

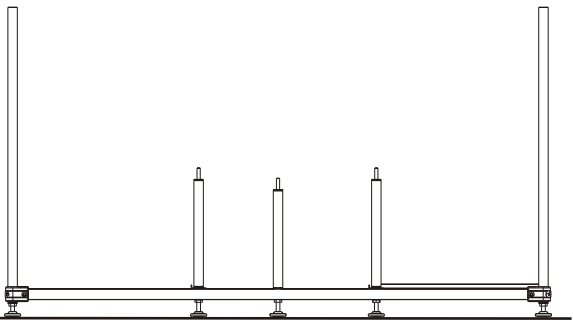
Step 3:

1. According to figure 1 install #280 , #257 supporting poles and tall feet to the bottom frame.
2. As shown in figure 2 and figure 3, adjust the height of feet and secure with hexagon nuts. Make sure the bottom frame is level and all feet are supporting the frame. Failure to do so will compromise the door seal.
3. Make sure all feet have the hex nut tight. This will add to stability of unit.

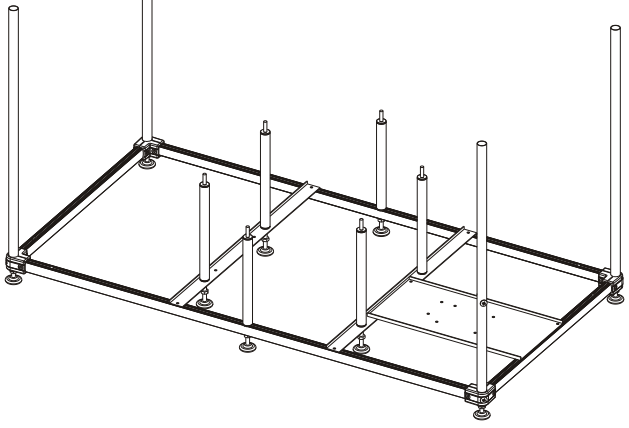
①



②

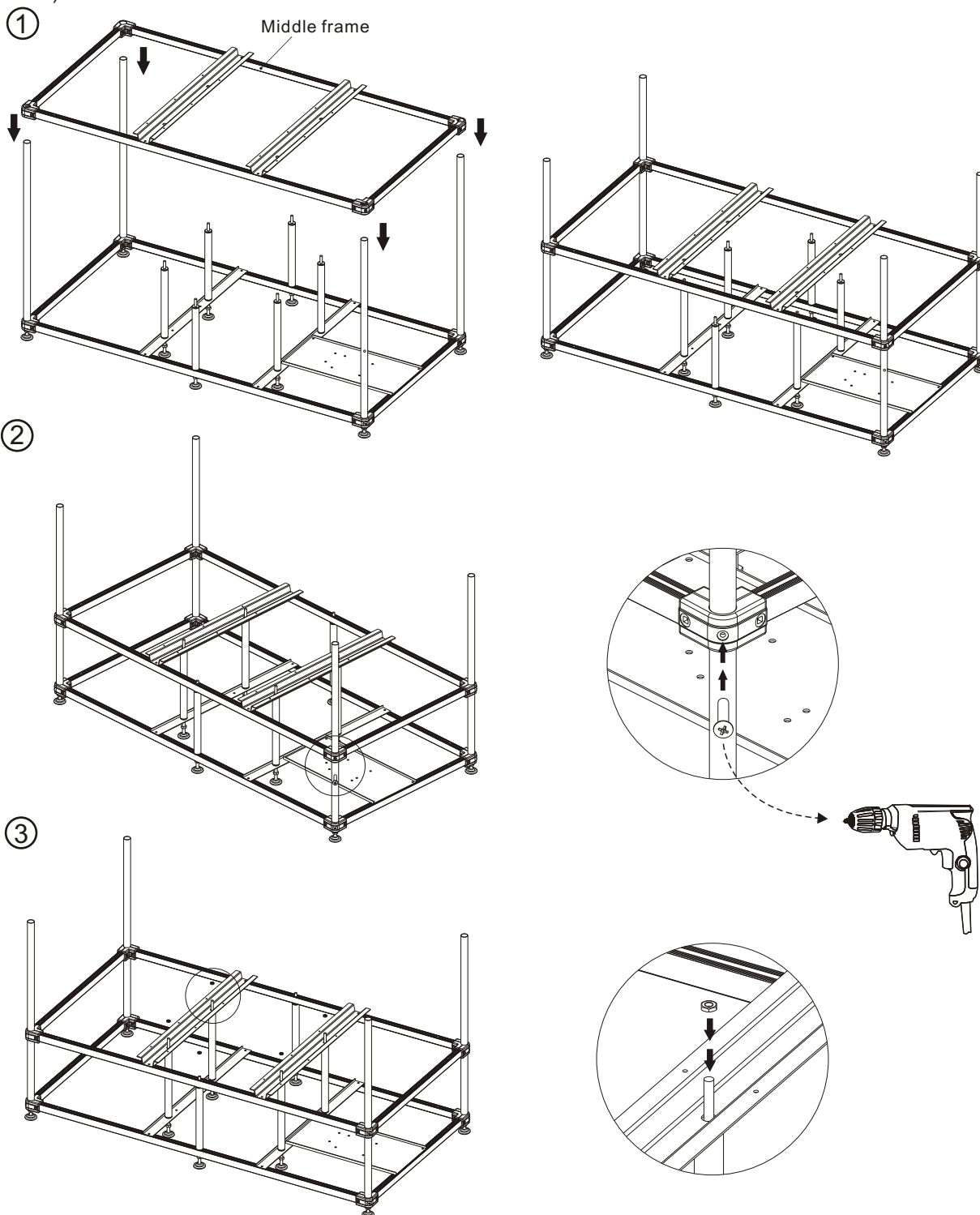


③



Step 4:

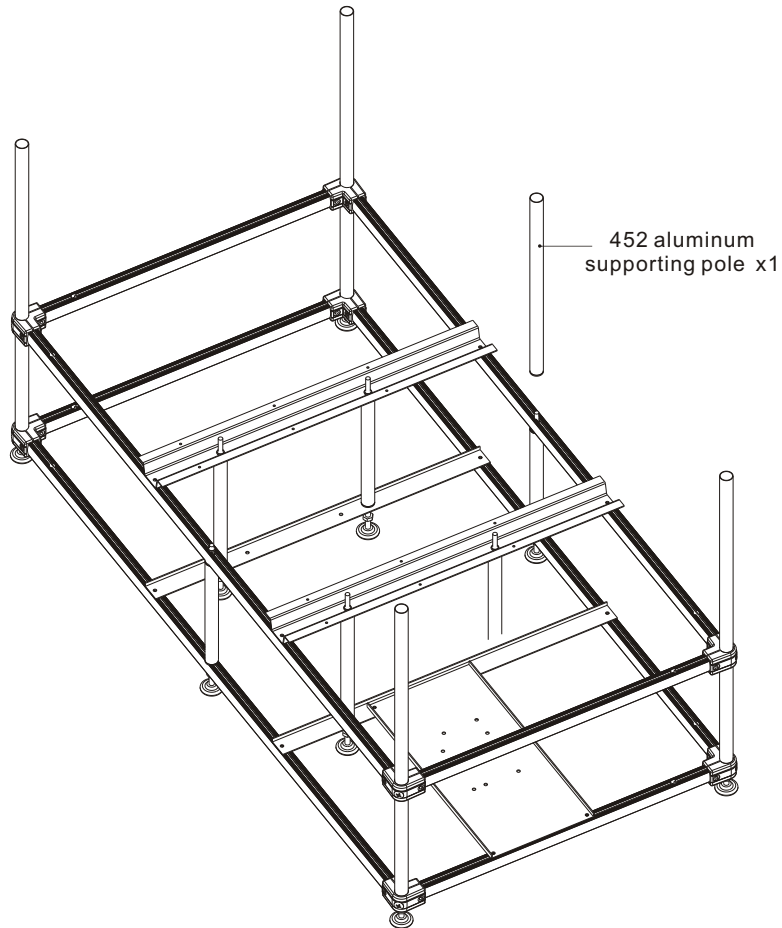
1. Align the supporting poles to the corner connectors on middle frame, slide the frame on the supporting poles as shown in figure 1.
2. Align and secure the four #780 supporting poles with screws on the corner connectors as shown in figure 2.
3. Align the rest of supporting poles on the beams of middle frame with nuts.(shown in figure 3)



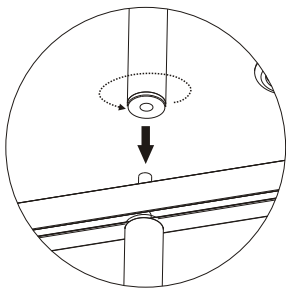
□ **Step 5:**

1. Install #452 supporting poles on the middle frame. (Shown in figure 1 to 3)

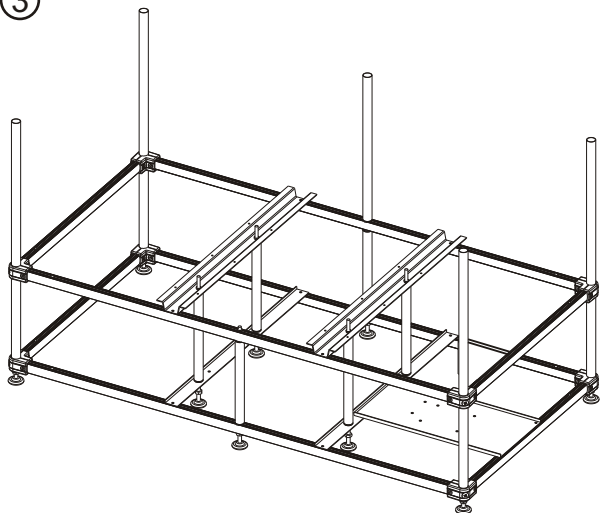
①



②



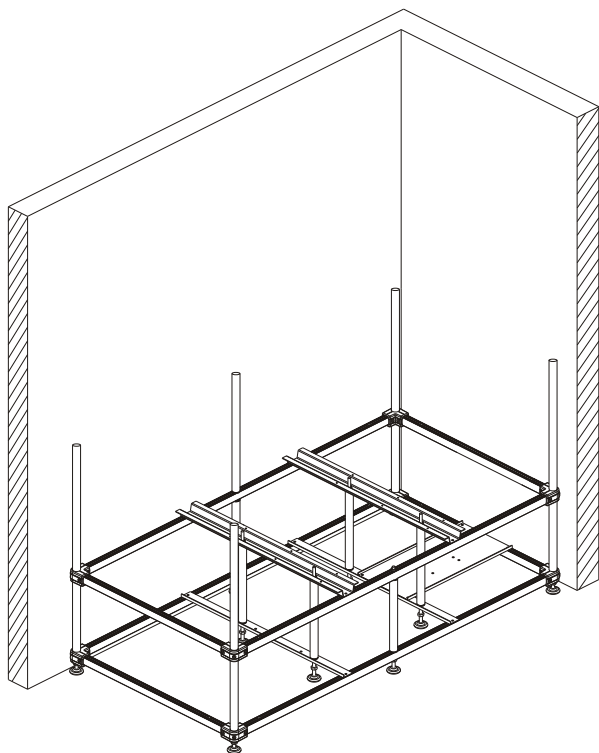
③



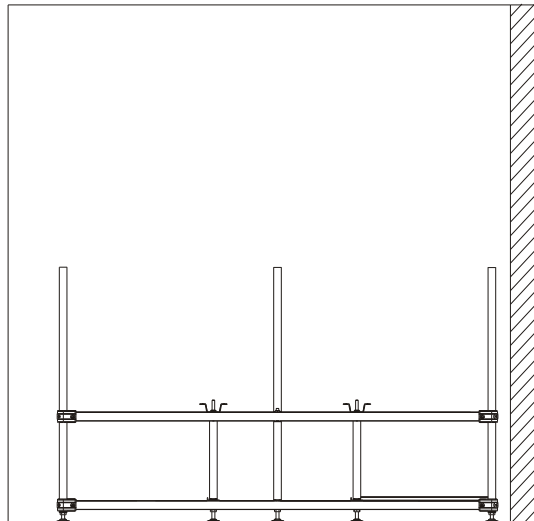
□ Step 6:

1. Place the installed tub supporting structure into its final resting place.
2. Tub frame **MUST** be secured to the back wall and/or to the floor, to prevent tipping upon entering and exiting the tub.
3. It is advised to set the frame to the position to determine the best way to secure the frame. After the determination is made, the frame can be moved out from the final resting place and assembly can resume.

①

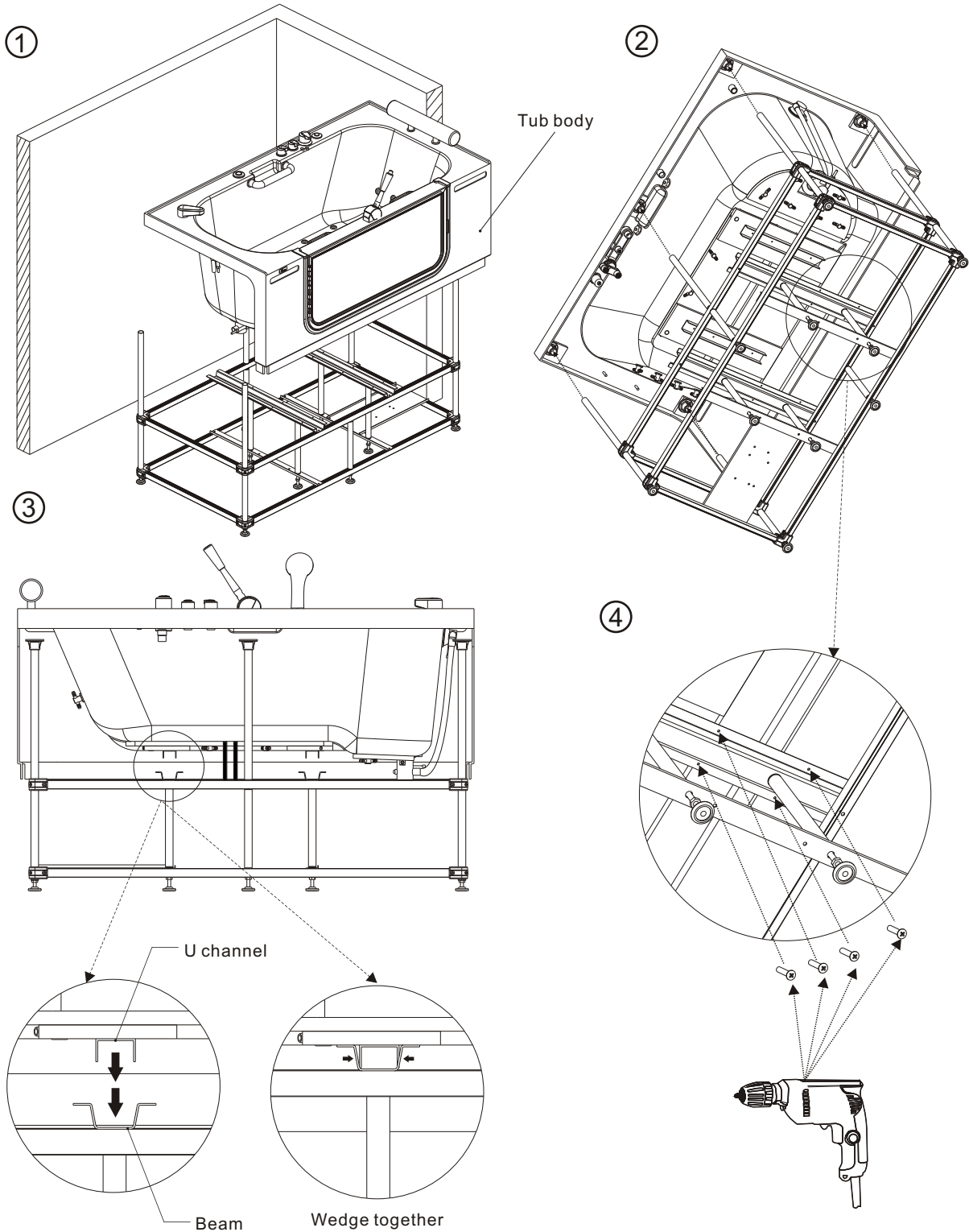


②



Step 7:

1. Lift up the tub body and place it on the supporting frame, position the corner poles to connect to the 4 corner connection . Shown in figure 1 and 2.
2. Place the two U channels on the bottom of tub body into the support beams on the middle supporting frame. Shown in figure 3.
3. Secure the beam to the U channels from below. Shown in figure 4.

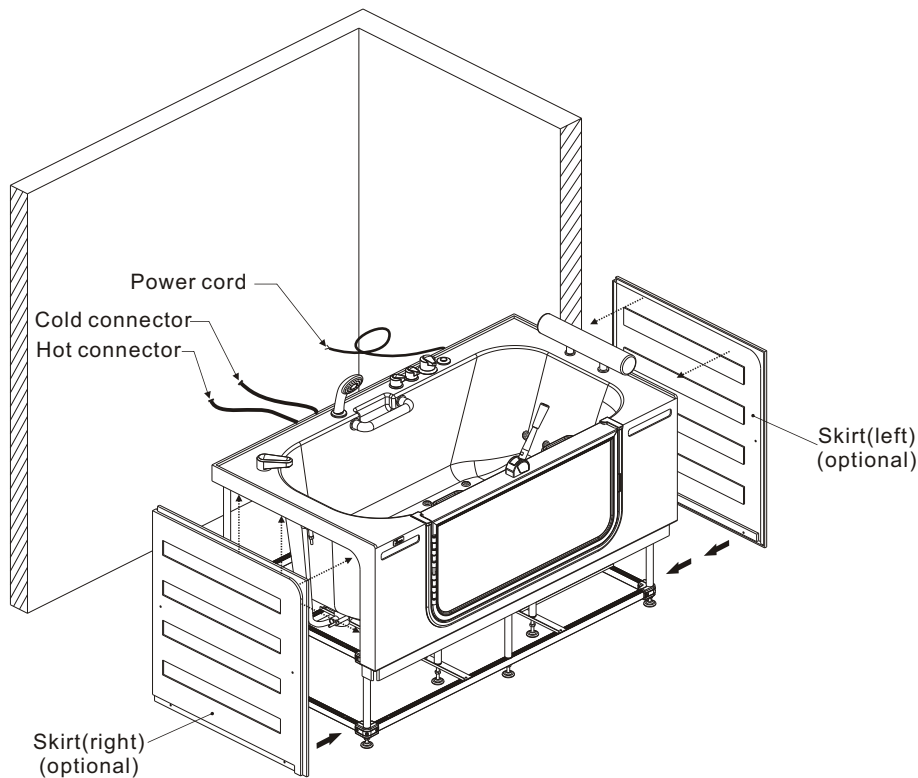


□ **Step 8:**

1. Connect water supply (and power, if applicable). See image below.
2. Install side skirts (optional) if needed. figure 1

Note, make sure the power and water supplies are connected before moving the tub into it's final place.

①

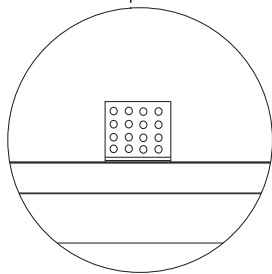
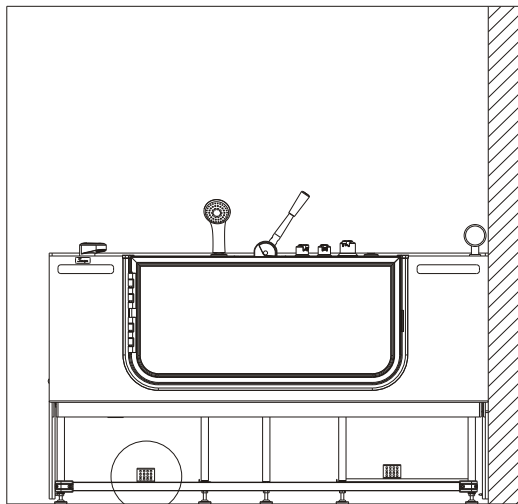


Tub frame **MUST** be secured to the back wall and/or to the floor, to prevent tipping upon entering and exiting the tub.

Step 9:

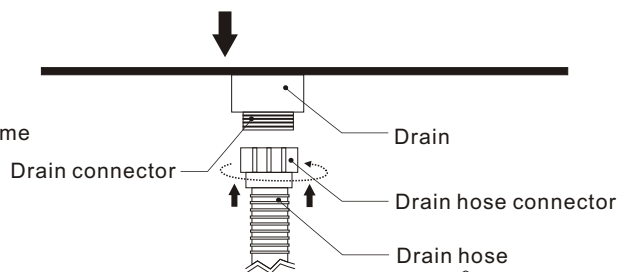
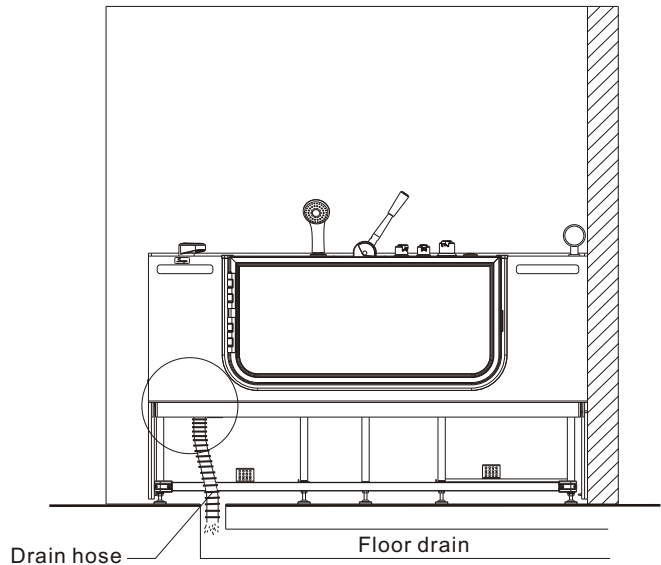
1. Move the installed tub in to it's permanent position. Make sure the frame is secure to the back wall and/or floor. Shown in figure 1.
2. Connect the drain. Shown in figure 2
3. Install the lower skirt on the tub body with screws. Figure 3

①

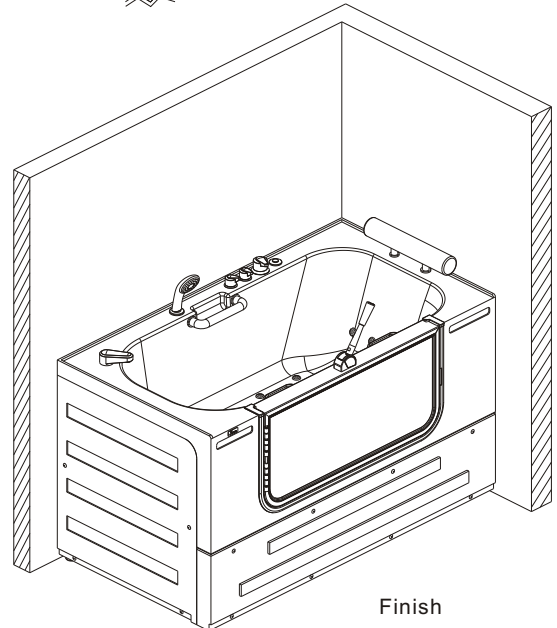
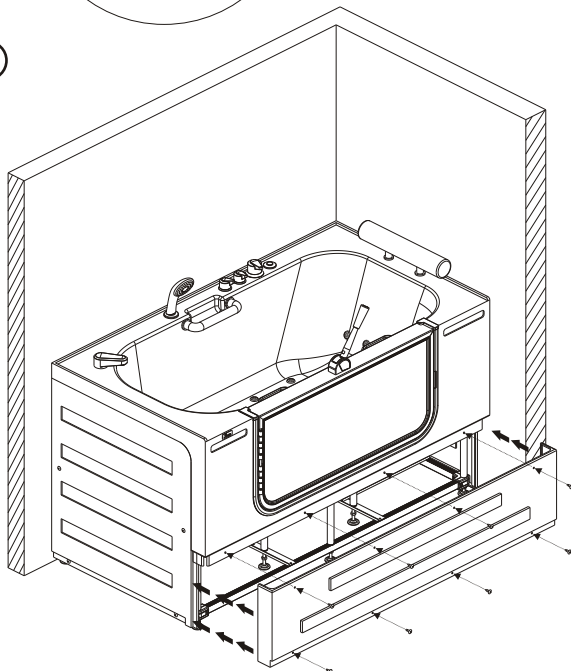


Press on the lower frame

②



③



Installation of electrical devices

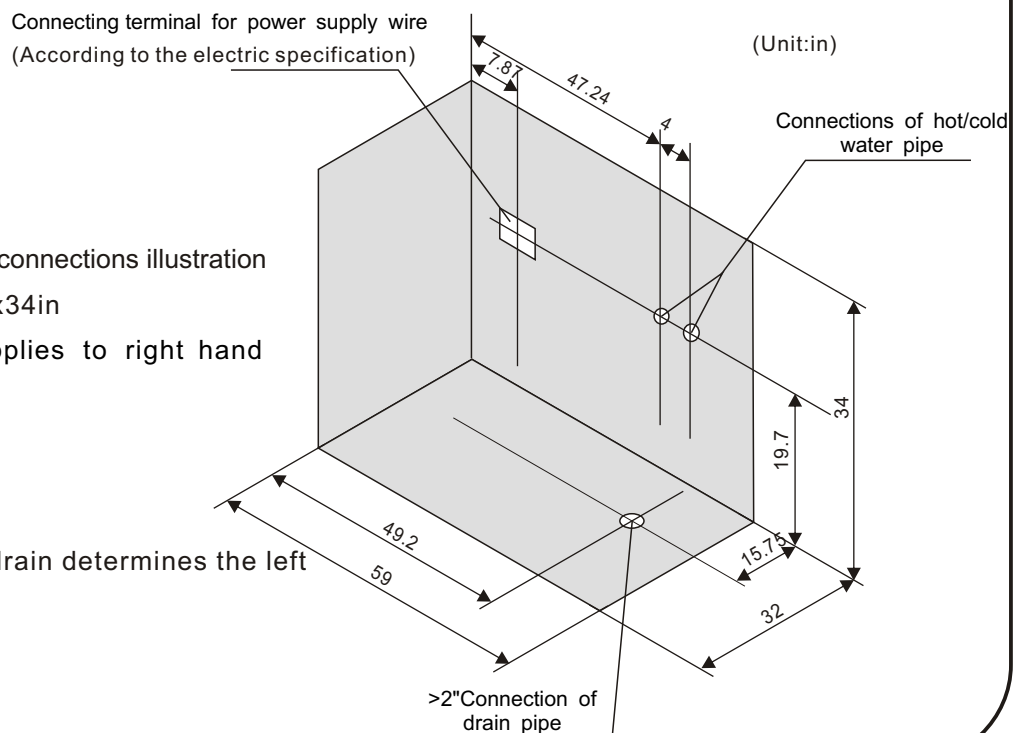
Power outlet wiring, connections, and junction box must conform to IEC standards as well as those of State and local regulations.

1. The power supply cord used must be rated to handle a voltage of 450/750V 80°C to meet the walk-in bathtub power requirements.
2. The rated current of connection switch/ junction box has to meet the voltage requirements according to the air-blower power specification. Use dedicated line only.
3. GFCI must be rated according to the air-blower power specifications, and do not share with other electric devices
4. Connection switch/ junction box must be installed according to electric-safety regulations and kept in a safe location.
5. Connection switch/ junction box has to be grounded.
6. Power supply circuit must have a GFCI breaker or outlet.
7. Walk-in bathtub must be installed by professionals in accordance to IEC standards as well as relevant State and local regulations.
8. Inspect power cord before connecting.
9. Tub drain has to have at least 2" drain connection.
10. 3/4" water supply connection on wall. (install hot and cold water shut off supply valve.)
11. Water pressure supply minimum 45 PSI.
12. Attach Hot and Cold water supply lines according to the labels.

⚠ Note: This device has to have an independent power switch with ground connection!

■ Water and electric connections illustration
 Bathtub size: 59x32x34in
 This illustration applies to right hand side drain.

The position of the drain determines the left or right side.



Safety Guidelines

Warning

-Do not use the product if you have high blood pressure, are suffering heart disease, or intoxicated.

Must

-Electric system must be grounded.

-The product should be installed by qualified professional personnel as per the safety regulations regarding water and electricity installation and consumption requirements prescribed by the local laws and regulations.

-The temperature of hot water supplied to the product should stay under 50°C (122°F).

-Shut off the power supply and close the cold/hot water supply valves if tub will not be used for a long period of time.

-Contact your distributor regarding any problems.

Prohibition:

-Only qualified professional personnel are to assemble, or service the product.

-The product is for indoor use only. It can not be used outdoors.

Exclusions:

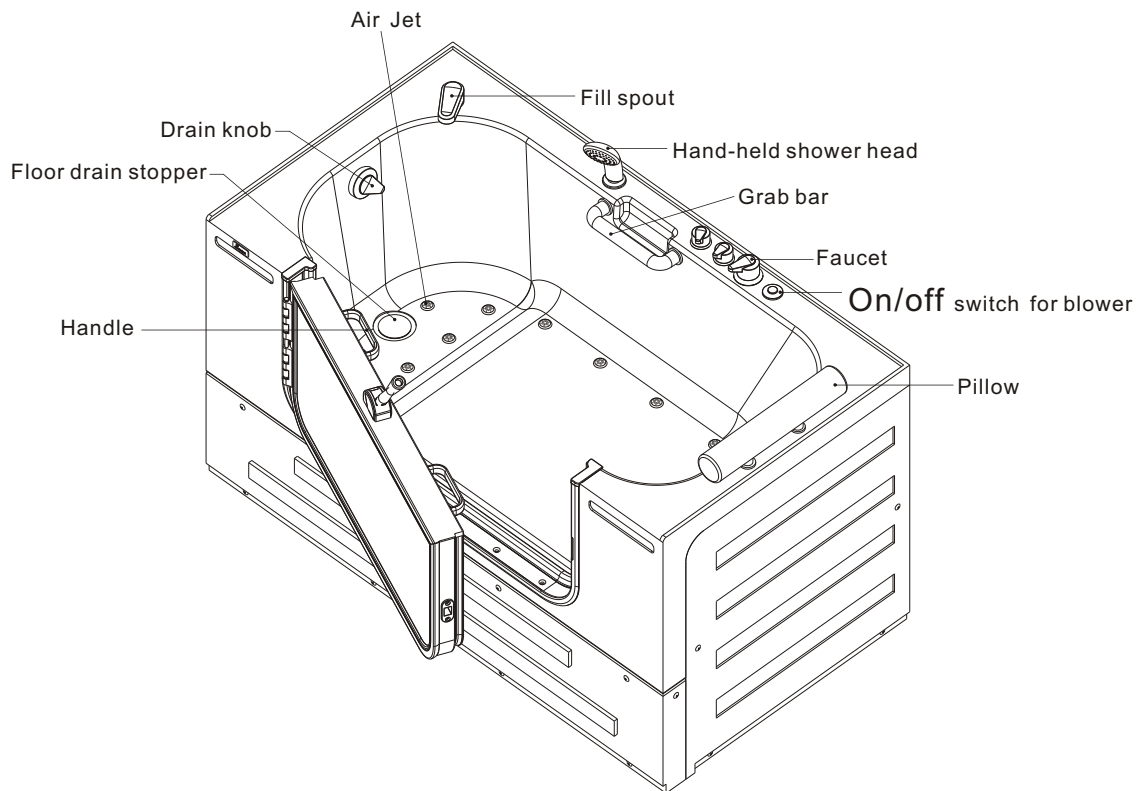
The manufacturer of the product shall be in no case liable for any problem or accident arising out of or in connection with the failure to comply with the above-mentioned regulations or the requirements stipulated in this manual.

Note: The Company reserves the right to make changes to the product without prior notice.

Specification

Model	Size	Pack	Weight	Electric power supply	Power
HY-1042	59x32x34 in 1500x810x860mm	16.5x9.5x84.6 in 430x240x2150mm	G.W:65kg N.W:65kg	—	—
HZ-1242	59x32x34 in 1500x810x860mm	16.5x9.5x84.6 in 430x240x2150mm	G.W:65kg N.W:65kg	According to the electric specification	According to the electric specification
HZ-1342	59x32x34 in 1500x810x860mm	16.5x9.5x84.6 in 430x240x2150mm	G.W:65kg N.W:65kg	—	—

Accessories



Usage

□ Doorsystem

- Please follow the steps to open and close it.
1. Before entering the tub, hold door handle with the safety button pressed down and push it toward door hinge to open the door (figure 1).
 2. After entering the tub, with one hand hold the door closed and with other hand pull the door handle. The locking bolt and safety lock will engage automatically.
 3. Repeat step 1 to open the door after bath.

Warning:

- ① Before closing the door, please make sure that the crossbar is completely in the door. Otherwise the crossbar will hit and scrape the bathtub.
- ② When using sit-in tub, please make sure the door is closed properly and the safety lock is engaged.
- ③ The door handle is only for opening and closing the door. **Do not** sit or rest any heavy objects on the door.
- ④ Make sure the safety lock is engaged when the bathtub is full or being filled with water. Please, avoid contact with the door handle to avoid accidentally opening the door. Otherwise the water will pour out.
- ⑤ **Do not** close the door when **the tub is not in use.**

■ Thermostatic valve use guide

1. Connect to the water supply, turn on the faucet knob (figure 2,3,4).
2. Turning mixing knob for desirable temperature setting (the red and blue marks indicate hot and cold water on the mixer knob).
3. Turn off the water when tub is filled. (note: the water level should be above the jets)
4. When using the hand-held shower, turn on the hand-held shower knob and follow the step 2 to adjust water temperature.

Warning:

Before filling with water, please set temperature to its lowest setting, to avoiding scalding. Then adjust the mixer knob to the temperature you desire.

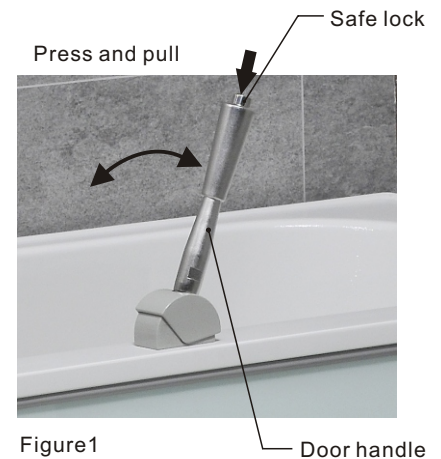


Figure1



Thermostic mixing knob

Figure2



Fill spout

Figure3

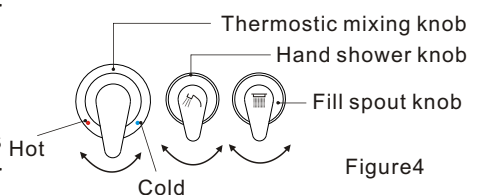


Figure4

■ Handheld shower use guide

1. Shower head has two spray patterns, full shower spray and massage spray (figure 5).
2. Turn the face of hand-held shower spray clockwise or counter-clockwise for the desired shower pattern.



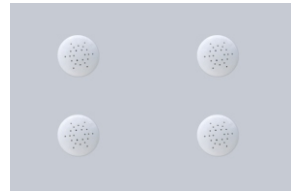
Hand-held shower head

■ Bath types

Two types: Air massage(HY-1242), and soaking bath(HY-1042,HY-1342).

■ Air pumps control

Press On/Off button to start the air blower system to begin your massage. Press it again to shut the system off (Figure7).

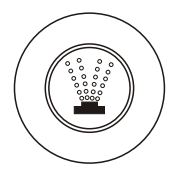


Bubble massage jet
Figure6

■ Heated air Pump

The heated air pump will run 20 minutes before shutting off on its own. The pump can be immediately restarted if more time is desired by pressing the on/off button. After the air pump has been off for 20 minutes, it will automatically start up again and will run about 20 minutes. This is normal.

The unit is blowing out any water in the system and drying the airlines. If you press the on/off button the cycle will repeat itself.

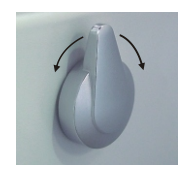


Air blower switch
Figure7

■ Drain knob use guide

1. When filling the tub, turn the drain knob clockwise to close the floor drain stopper (figure 8).
2. To drain the tub water, turn the drain knob counter-clockwise to open the floor drain stopper (figure 9).

(Note: DO NOT open the door until all water is drained out.)



Drain knob
Figure 8



Floor drain stopper
Figure 9

■ Maintenance opening

Remove the screws on the plate of skirt to access the maintenance opening (figure 10).

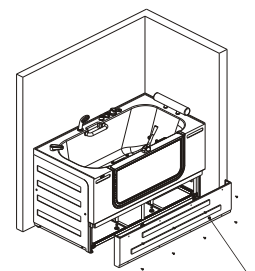


Figure10

Skirt (maintenance opening)

Maintenance

! Must make sure the power is disconnected before doing any maintenance.

1. Keep the bathtub clean and neat.
2. **DO NOT** use strong acids or alkali liquids to clean the bathtub or other parts.
3. When cleaning the shell and floor of the bathtub, please use a soft and dry cloth; If there is slight dirt, please use the soft cloth or sponge to clean with a non abrasive cleanser; Use rubbing alcohol to remove stubborn stains.
4. Use detergent that is specially made for acrylic tubs. The following substances are not to be used: acids or alkali solutions, alcohol, acetone product. If these products are used, damage to the tub and accessories may occur and the warranty will be void.
5. Don't use corrosive liquids to clean the surface of acrylic, glass and metal parts to avoid damaging the finish. Don't use the coarse or abrasive cleaners to clean the surface of acrylic, glass and metal parts to avoid damaging the surface.
6. Frequently check power lines, switches, water supply lines, drain pipes for possible damaged. Replace as needed.
7. **DO NOT** allow the tub to run for more than 3 hours continuously.

Troubleshooting guide

Faults	Cause of faults	Disposal
Pump does not work	<ol style="list-style-type: none"> 1. Fuse is tripped due to short circuit or overload 2. Control system malfunction 	<ol style="list-style-type: none"> 1. Check the circuit and reset or replace fuse if needed 2. Contact supplier
GFCI breaker / outlet trips	<ol style="list-style-type: none"> 1. Short circuit or other electrical issue. 	<ol style="list-style-type: none"> 1. Check the circuit 2. Replace or fix defective part
Water from door	<ol style="list-style-type: none"> 1. The door seal, is cracked or torn 	<ol style="list-style-type: none"> 1. Replace seal

Component List

Accessories	Model	HY-1042	HY-1242	HY-1342
Door		1	1	1
Safe lock		1	1	1
Door handle		1	1	1
Handle		2	2	2
Grab bar		1	1	1
Fill spout		1	1	1
Air jet		—	16	—
Hand-held shower head		—	1	1
Shower head mount		—	1	1
Pillow		1	1	1
Air blower switch		—	1	—
Drain		1	1	1
Air blower		—	✓	—
Faucet		—	1	1



Caresee Equipment of Relaxation(Panyu,Guangzhou)Co.,Ltd.
Wanxing Industry Area Nanpu Island Panyu Guangzhou China