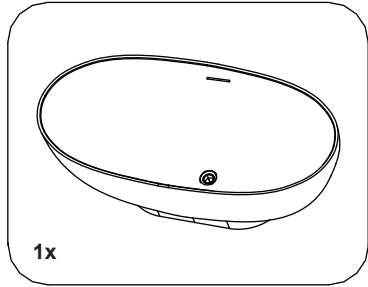


Parts Supplied:



Important

- Please unwrap the bath and check it carefully to ensure it has not been damaged in handling or transport.
- Please check that all parts have been supplied.
- Store the bath in a safe place until you begin installation to avoid damage.
- Assemble bath on a mat to protect against damage to bath surface.
- No claims for damages or blemishes will be accepted once the bath has been installed.
- We recommend that you do not remove your old bath until you have unpacked and inspected the new one. Please contact your local store if you have any concerns.
- Any installation should be carried out by a qualified tradesman with knowledge of statutory plumbing requirements in your area.
- This product requires a two person lift – use proper lifting techniques.
- This installation guide does not include details of waste connection; the final decision about installation of waste connections should be taken by a suitably qualified person.

Care and Maintenance

It may be possible to polish very fine scratches away without using abrasive papers: scrubbing gently with a soft brush or plastic pad (not metal scouring) and a mild abrasive cream cleaner. Afterwards scrub the whole area with plenty of clean water and re-polish as before.

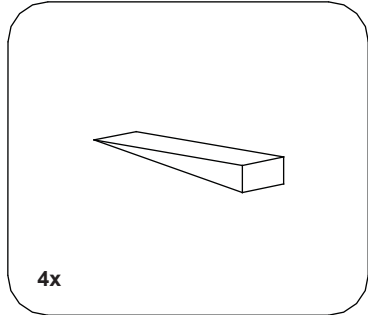
Gloss Finish

1. Clean the surface with water, making sure no dust remains.
2. Use 800 sandpaper to polish the surface in focus with water.
3. Use 1500 sandpaper to polish the surface with water to gain a smooth surface.
4. Use 2000 sandpaper to polish the surface with water to gain a smoother surface
5. Wipe up the water with clean and dry cloth.
6. Polish with G3 wax.
7. Wipe up the remaining wax with a clean and dry cloth.

Matte Finish

1. Clean the surface with water, making sure no dust remains.
2. Use 800 sandpaper to polish the surface in focus with water to gain a smooth surface and matte finish.
3. Wipe up the water with clean and dry cloth.

Parts Required:



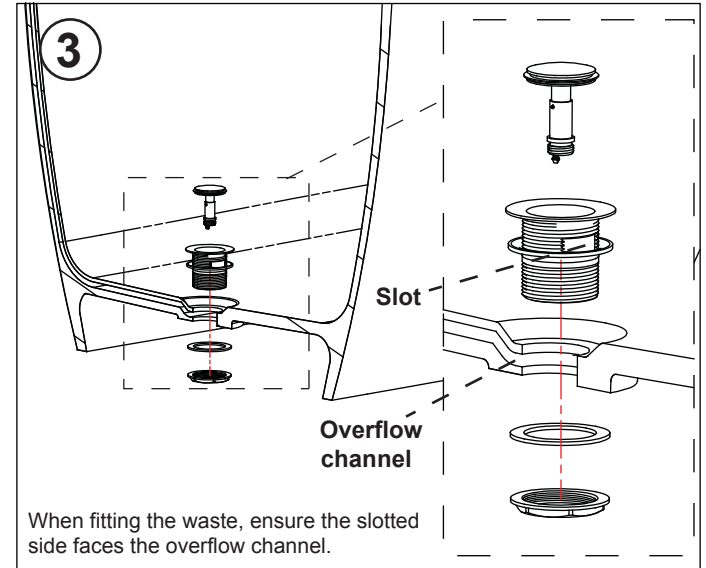
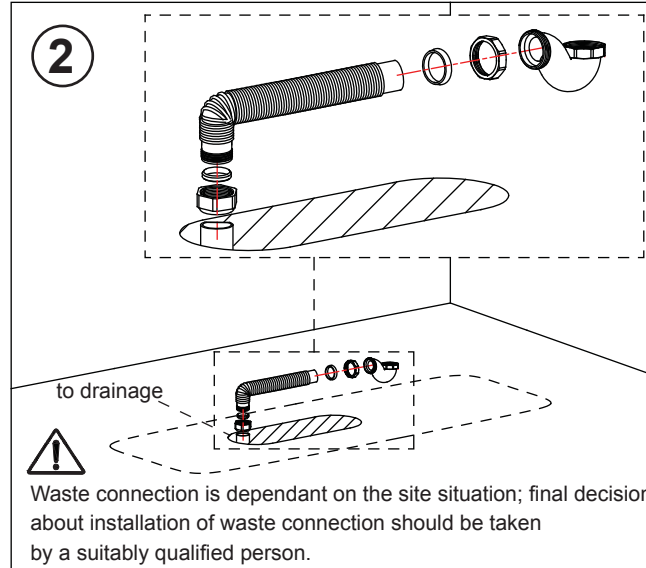
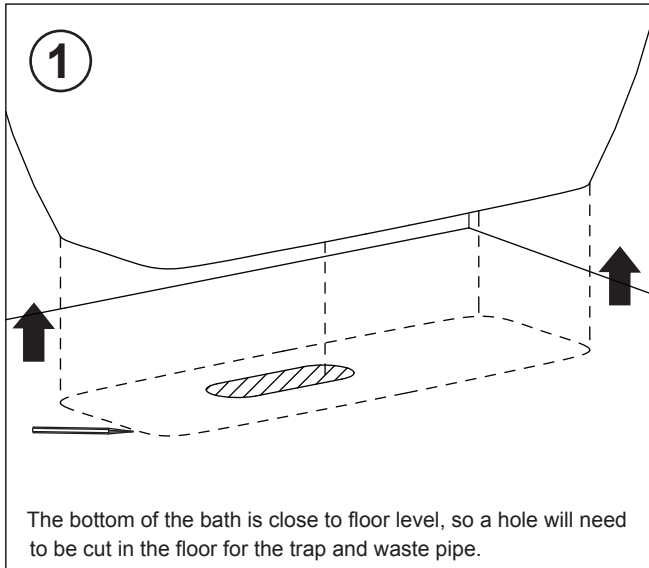
Everyday cleaning

We recommend a non-abrasive bathroom cleaner.

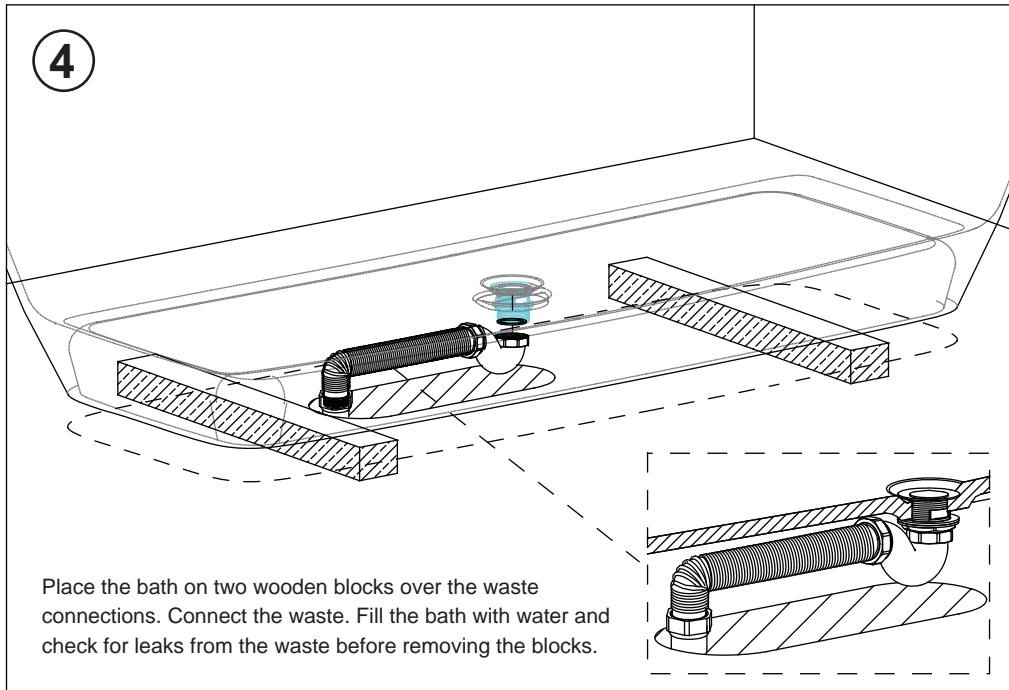
Warning

Never use cleaners / bleach products specifically manufactured for WC bowl cleaning as they may damage your bath. Hair dye can stain the surface of the bath.

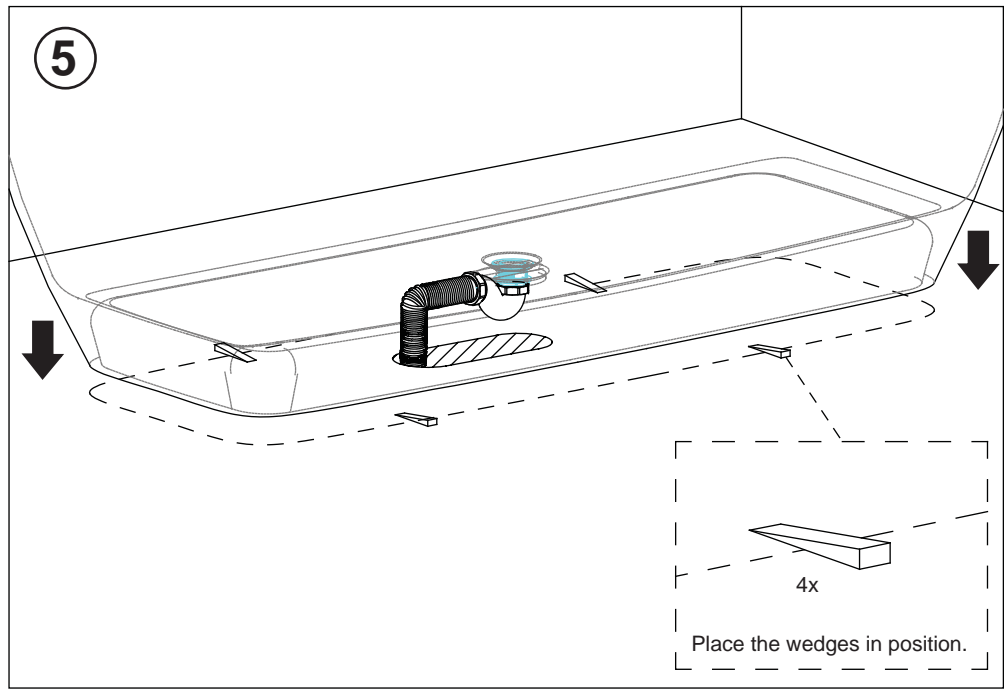
We recommend that dye is not applied in, or over, the bath. Nail varnish can rub off on to the surface and is difficult to remove.



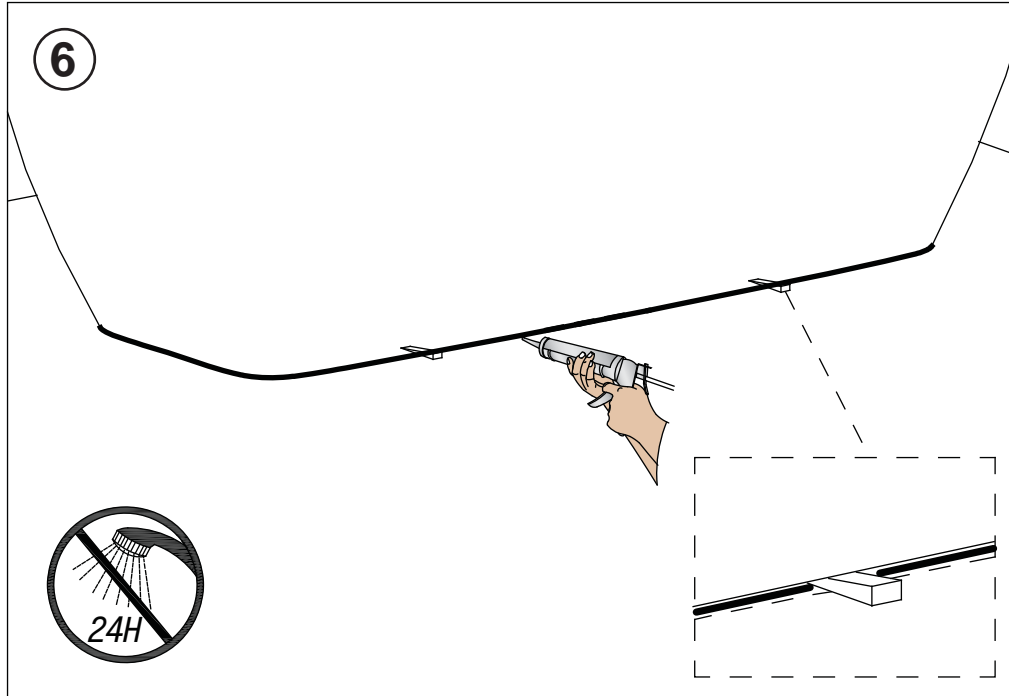
4



5



6



7

