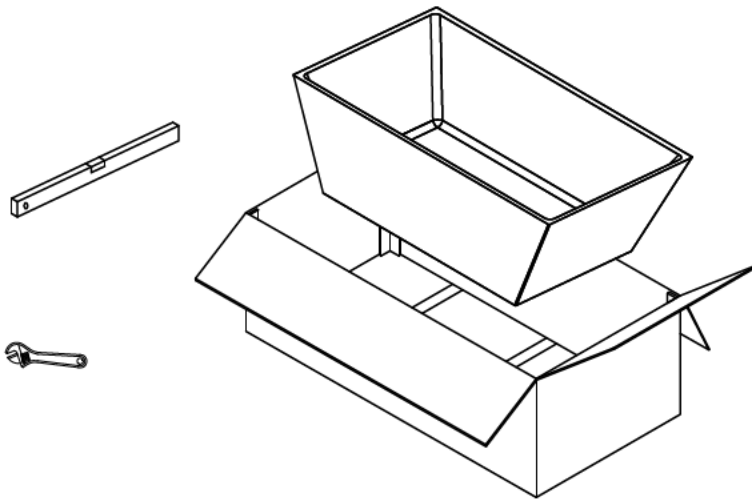


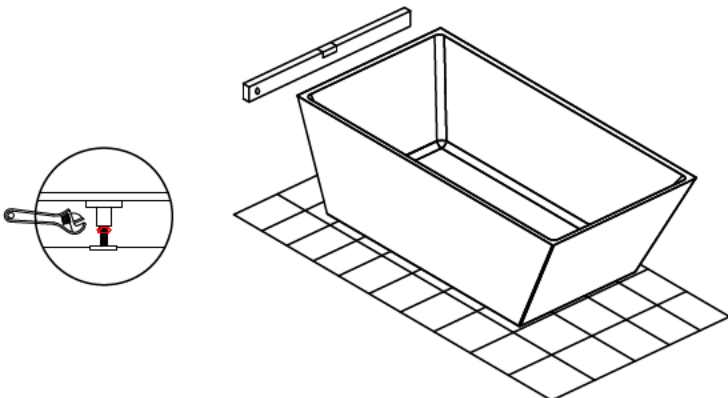
1. Remove the tub from it's crate/box.

2. Make sure to avoid contact with any rough surface. Ideally, there should be a tarp or cardboard sheet between the tub and the floor's surface.

3. **Very Important!** Before proceeding with installation, close the waste drain and fill tub with water to test for leakage. If leakage occurs this maybe a sign that the leveling feet are not completely leveled.

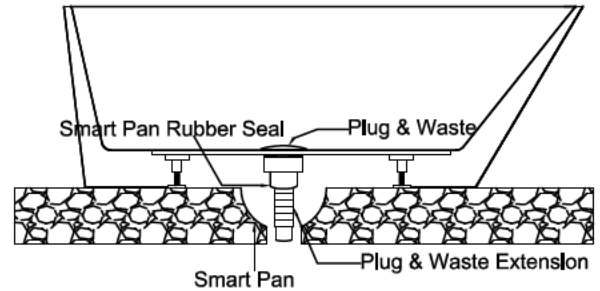


4. Adjust leveling feet if needed to ensure the tub is complete leveled. If the tub is not properly level leakage may occure and/or the water will not completely drain.



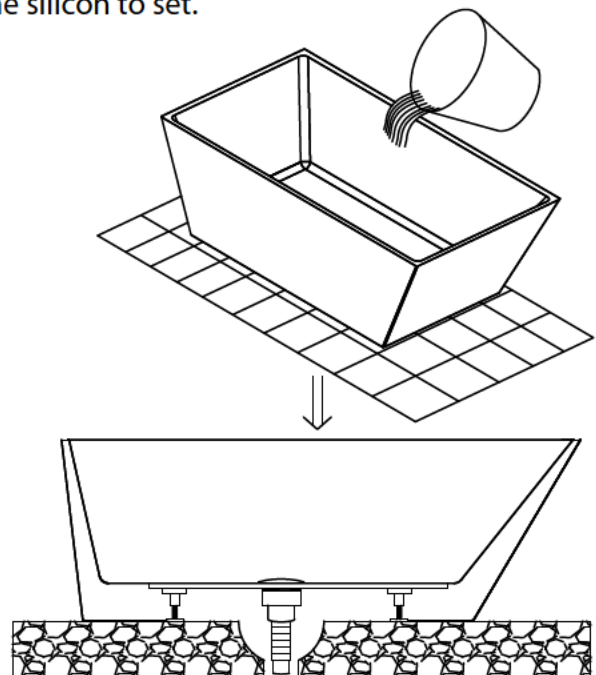
5. Align and connect the tub's drain to the waste drain outlet.

6. Removing the masking plastic over the overflow and waste drain covers.



7. Perform a final test.

8. Apply a thick bead of silicone around the area where the tub meets the floor. Allow 24 hours for the silicon to set.



Note: It is highly recommended to have a licensed contactor preform the installation.