

*Natural Smoke and Heat
Exhaust Ventilator on
to builders upstand*

**For Mardome Trade Smoke
Vent on to 365mm Kerb**
See Page 2 overleaf

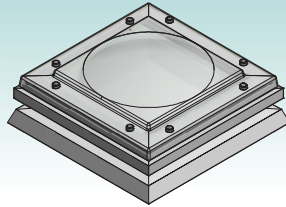
**For wiring instructions and
Control Systems**
See Page 3

**For Wind Deflectors on to
builders upstand or
365mm kerb**
See Pages 4,5

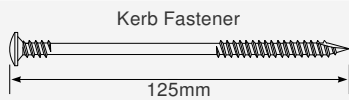
Mardome Contents

- ⚠ This Smoke Ventilator has been tested and approved as per EN12101-2. Any unapproved modification to the product will invalidate the CE certificate.
- ⓘ Please unpack and check that all correct parts are included and undamaged.

Mardome Trade Smoke Vent on builders upstand



With this assembly, you will receive:
Kerb Fixings



Fixing Quantities

Length of Nominal Smoke Vent Side (mm)	Number of fixings per side	
	Front/Back	Left/Right
1050, 1200	5	3
1350, 1500, 1650	7	4
1800	7	5

(All fixings supplied in packs of 5.)

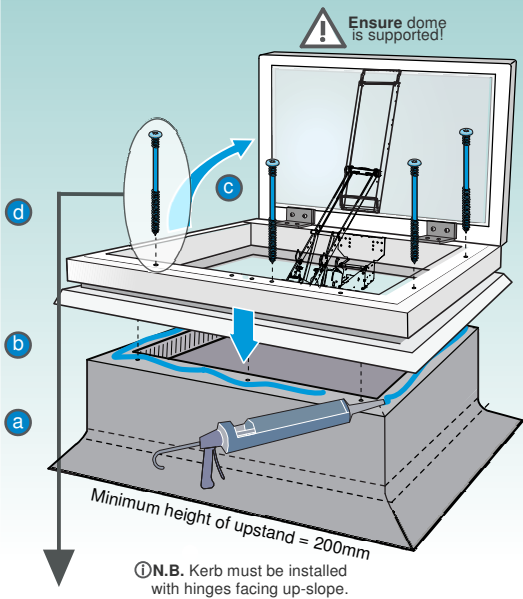
Installation Instructions

- ⚠ **Ensure** the height of upstand is minimum of 200mm from roof surface.
- ⚠ **Ensure** dome is supported while opening and during installation to avoid damage!

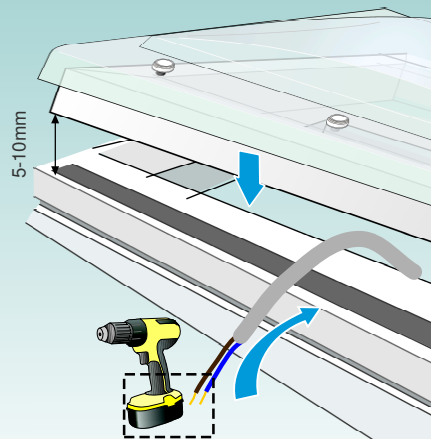
Mardome Installation

- ⚠ Please note that all Health and Safety Regulations must be followed on site throughout the installation process.

Smoke Vent on builders upstand

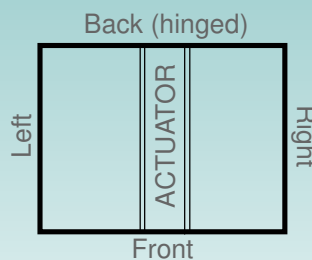
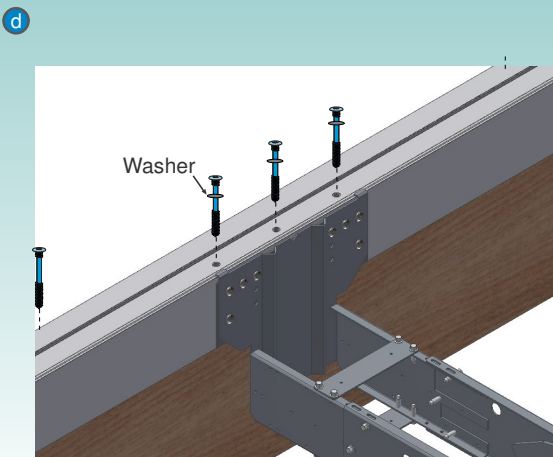


e Closing down after installation

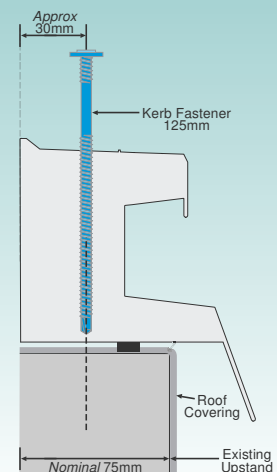


- a Install roof covering to cover upstand (by others) in accordance with manufacturer's installation recommendations. External size = Smoke Vent size +40/-20mm. Internal size = (Smoke Vent size -150mm)+20/-0mm
- b Mastic/Silicone around the edge of the upstand opening. Carefully remove Smoke Vent from its packaging and correctly place on upstand, ensuring it is located squarely.
- c To open, connect the brown (to +ve) and blue (to -ve) wires to a drill battery (18V-24V). Ensure that hinged dome is opened to a minimum angle of 90°.
- d Fix kerb to the builders upstand using the 125mm kerb fastener. **N.B.** For front and back sides, ensure the 3 central fixings pass through the 3 pre-drilled holes as shown. Use washers (supplied).
- e Close the smoke vent by reversing the wires to the battery, leaving a 5-10mm gap so the cable can be pushed back through for electrical connection inside the building.
- # Arrange for electrical connections to be made by a suitably qualified electrician to wire product as shown on reverse, and fully close dome (See instructions on Page 3)

Kerb Fixing



- ⚠ For front and back sides, ensure the 3 central fixings pass through the 3 pre-drilled holes. Use supplied washers with these fixings.



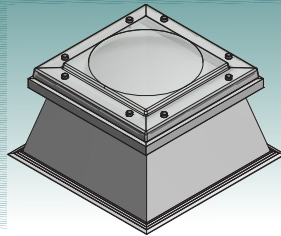
ⓘ **TECHNICAL SUPPORT:** For any technical information/queries please contact your supplier.

Brett Martin Daylight Systems operates a policy of continuous product improvement, and reserves the right to alter specifications at any time without notice. Every effort has been taken to ensure all details contained in this document are correct at the time of going to press but this document should be used only as a guide and does not in any way form part of a contract or warranty. It is the customer's responsibility to ensure that the product is suitable for the actual conditions of use, which are beyond the control of Brett Martin Daylight Systems.

Mardome Contents

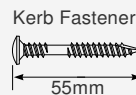
- ⚠ This Smoke Ventilator has been tested and approved as per EN12101-2. Any unapproved modification to the product will invalidate the CE certificate.
- 📄 Please unpack and check that all correct parts are included and undamaged.

Mardome Trade Smoke Vent on 365mm Kerb



With this assembly, you will receive:

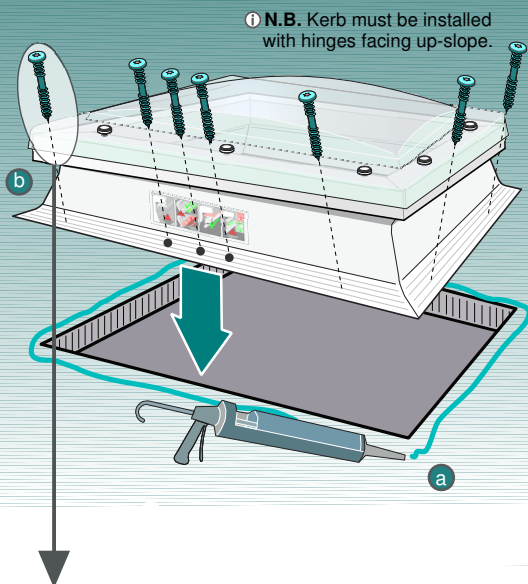
Kerb Fixings



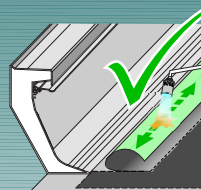
Mardome Installation

- ⚠ Please note that all Health and Safety Regulations must be followed on site throughout the installation process.

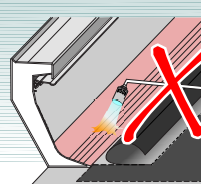
Smoke Vent on to 365mm kerb



c Roof Covering Installation



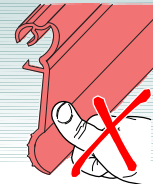
WARNING:
Never apply direct heat or naked flame to the roof light!



d IMPORTANT: Roof Covering Clamp Locking



Push along line as shown to lock. **DO NOT** push on soft area!



Fixing Quantities

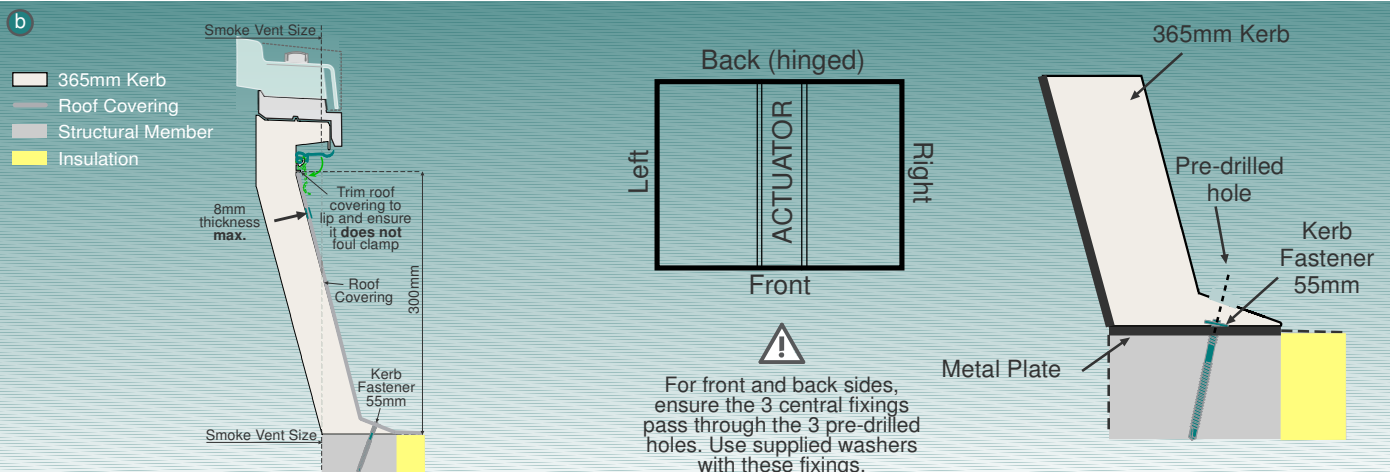
Length of Nominal Smoke Vent Side (mm)	Number of fixings per side	
	Front/Back	Left/Right
1050, 1200	5	3
1350, 1500, 1650	7	4
1800	7	5

(All fixings supplied in packs of 5)

Installation Instructions

- a Mastic/Silicone around the edge of the roof opening and correctly position kerb, ensuring it is located squarely over the roof opening with hinges facing up-slope.
- b Fix kerb to the roof using the 55mm kerb fastener. See above **Fixing Quantities** table for the correct quantity of fastenings required for the size of the smoke vent.
 - Ⓜ N.B. Length of side refers to the nominal smoke vent size (equivalent to inside base of kerb foot).
 - Ⓜ N.B. For front and back sides, ensure the 3 central fixings pass through the 3 pre-drilled holes as shown. The screw heads must push against the metal plate under the foot of the kerb.
- ⚠ If wind deflectors are to be fitted - Follow steps **a to d** on **Page 5** before roof covering installation.
- c Install roof covering up to lip, to stop under roof covering clamp, ensuring it **does not** foul clamp. Install in accordance with manufacturer's installation recommendations.
- d Lock the roof covering clamp down fully, as shown.
- # Arrange for electrical connections to be made by a suitably qualified electrician to wire product as shown on **Page 3**.

Kerb Fixing



📄 **TECHNICAL SUPPORT:** For any technical information/queries please contact your supplier.

Brett Martin Daylight Systems operates a policy of continuous product improvement, and reserves the right to alter specifications at any time without notice. Every effort has been taken to ensure all details contained in this document are correct at the time of going to press but this document should be used only as a guide and does not in any way form part of a contract or warranty. It is the customer's responsibility to ensure that the product is suitable for the actual conditions of use, which are beyond the control of Brett Martin Daylight Systems.

For Mardome Trade Smoke Vent on to builders upstand
See Page 1

For Mardome Trade Smoke Vent on to 365mm Kerb
See Page 2

For Wind Deflectors on to builders upstand or 365mm kerb
See Pages 4,5



Please note that all wiring and commissioning must be undertaken by a *suitably trained and qualified person*. The installer must ensure that all wiring runs, cable thickness and earthing etc. meet current regulations.

Fire resistant cables according to IEC 60331 must be used for the following functions - Opening system with 24V actuators, Fire Switch, Fireman's Priority Switch and Smoke Detector. The actuator must always be connected through the current limiter module. Once connected to power, test the smoke vent to ensure it is operational and leave fully closed.

Electrical equipment, accessories and packaging should be recycled for environmental protection. Do not dispose of electrical equipment in household waste!

**Control Panel
Technical specifications**

- Power supply - 230V AC/max. 1.2A
- Output supply - 24-28 VDC
- Motor outputs - 1 pcs. (line detection: 1-4 lines)
- Max. load - 5A OR 8A
- Operation temperature -15°C to +40°C
- Density - IP 54
- Battery back-up - 72hours
- Batteries - 2 pcs. 12V/7.2AH
- Dimensions (WxDxH) - 238 x 113 x 286 mm
- Weight incl. batteries - 7.5 kgs.

Colour - White front / Black indication label

Ⓢ **N.B.** For further details, refer to the Control Panel User Manual (supplied)

For connection of Fire Switch - see pg 8

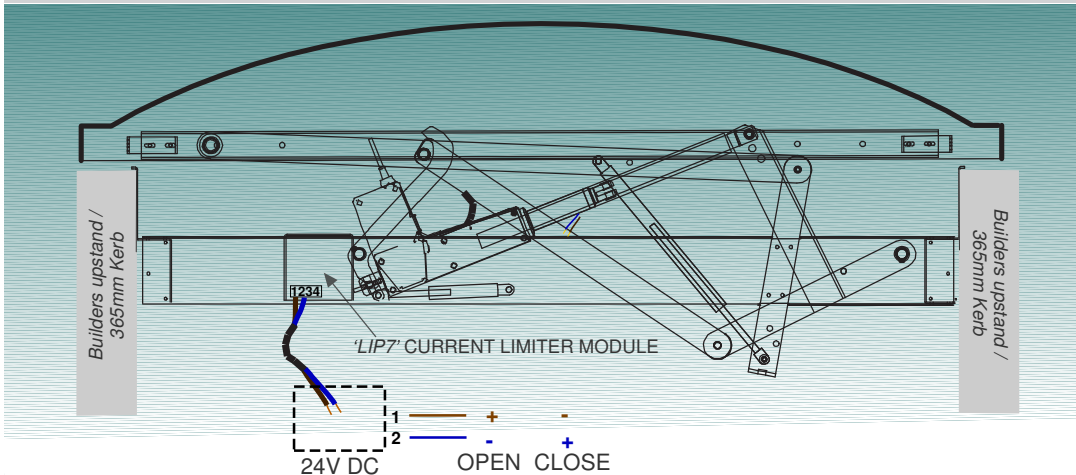
For connection of Smoke Detector - see pg 9

For connection of Fireman's Priority Switch - see pg 11

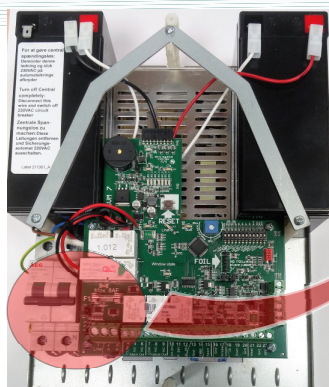
For full connection diagram - see pg 10 and pg 11

Mardome Trade Smoke Vent wiring instructions ⚠ Please note that all Health and Safety Regulations must be followed on site throughout the wiring process.

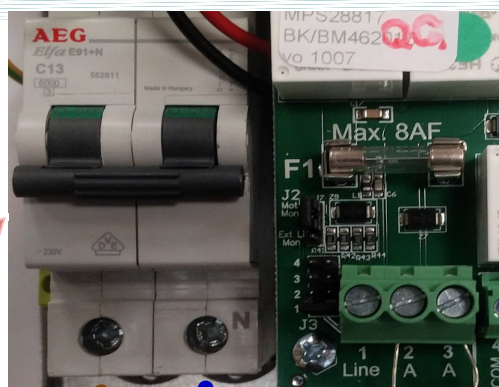
1 Powered Opening (24V DC only) - without control system



2 Powered Opening (24V DC only) - with control system (24V-5A or 24V-8A)



SVM 24V-5A/8A CONTROL PANEL (Inside)



PHASE
NEUTRAL
TO 3A Fused Spur (Not Supplied)
230VAC, Max 1.7A

TO LIP7 Current Limiter Module (Supplied)
24VDC

Ⓢ **TECHNICAL SUPPORT:** For any technical information/queries please contact your supplier.

Brett Martin Daylight Systems operates a policy of continuous product improvement, and reserves the right to alter specifications at any time without notice. Every effort has been taken to ensure all details contained in this document are correct at the time of going to press but this document should be used only as a guide and does not in any way form part of a contract or warranty. It is the customer's responsibility to ensure that the product is suitable for the actual conditions of use, which are beyond the control of Brett Martin Daylight Systems.

For Mardome Trade Smoke Vent on to builders upstand
See Page 1

For Mardome Trade Smoke Vent on to 365mm Kerb
See Page 2

For wiring instructions and Control Systems
See Page 3

Installation Instructions

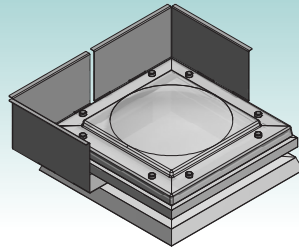
! Ensure the pair of wind deflectors are fitted to the side opposite to the hinges !

- a Peel off the backing paper from front edges of the wind deflectors.
- b Carefully align wind deflector with each corner of the upstand and push until firm contact is made with the upstand.
- c Ensure there are no gaps on the 2 sides and the butyl strip is in contact with the PVC wall and the deflector edge.
- d Fix wind deflectors to the PVC upstand using the supplied 26mm self-drilling fasteners.

Mardome Contents

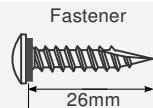
- !** The wind deflectors have been tested and approved as per EN12101-2. Any unapproved modification to the product will invalidate the CE certificate.
- i** Please unpack and check that all correct parts are included and undamaged.

*Wind Deflectors on Builders upstand**



*Wind Deflectors are supplied loose along with the Smoke Vent
With the pair of Wind Deflectors, you will receive:

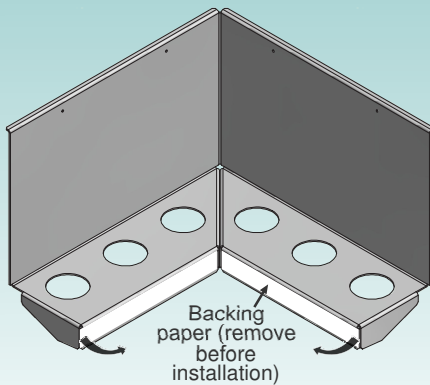
Wind Deflector Fixings



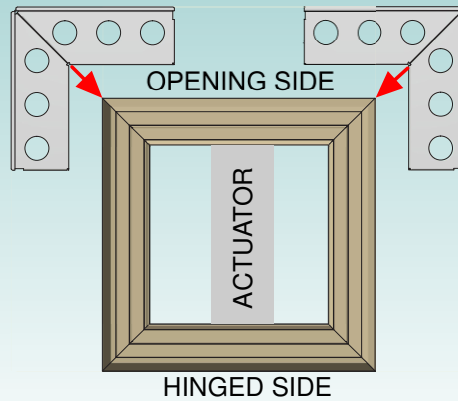
Mardome Installation

! Please note that all Health and Safety Regulations must be followed on site throughout the installation process.

a

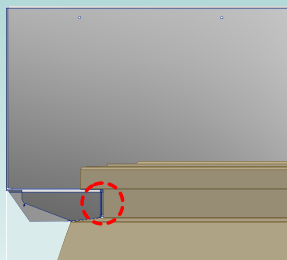


b **Positioning the Wind Deflectors**

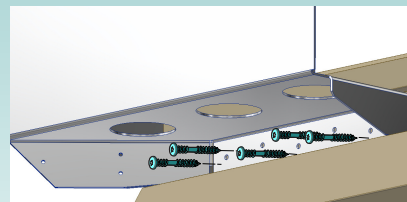


c

! Ensure there is no gap !



d



Always use the supplied fixings !

TECHNICAL SUPPORT: For any technical information/queries please contact your supplier.

Brett Martin Daylight Systems operates a policy of continuous product improvement, and reserves the right to alter specifications at any time without notice. Every effort has been taken to ensure all details contained in this document are correct at the time of going to press but this document should be used only as a guide and does not in any way form part of a contract or warranty. It is the customer's responsibility to ensure that the product is suitable for the actual conditions of use, which are beyond the control of Brett Martin Daylight Systems.

For Mardome Trade Smoke Vent on to builders upstand See Page 1

For Mardome Trade Smoke Vent on to 365mm Kerb See Page 2

For wiring instructions and Control Systems See Page 3

Installation Instructions

! Ensure the pair of wind deflectors are fitted to the side opposite to the hinges!

a Peel off the backing paper from front edges of the wind deflectors.

b With the Smoke Vent opened to at least 90 degrees, carefully align wind deflector with each corner of the upstand and tight to kerb drip edge so that the holes align. Push until firm contact is made with the upstand and expanding foam tape is compressed behind drip edge.

c Ensure there are no gaps on the 2 sides and the butyl strip is in contact with the PVC wall and the deflector edge.

d Fix wind deflectors to the PVC upstand using the supplied fixings - size 5 Allen key and size 10 spanner are required. Ensure that the rubber washers are on the outside and the plain washers are on the inside as shown. Ensure bolts are tight, but do not overtight them to deform the kerb.

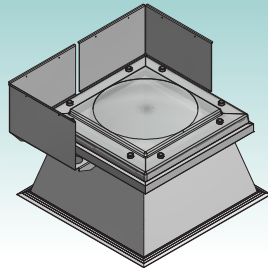
e Follow steps c and d on Page 2 to install roof covering. Using silicone, seal all joints between wind deflector and roof covering clamp.

Mardome Contents

! The wind deflectors have been tested and approved as per EN12101-2. Any unapproved modification to the product will invalidate the CE certificate.

i Please unpack and check that all correct parts are included and undamaged.

Wind Deflectors on 365mm Kerb*



*Wind Deflectors are supplied loose along with the Smoke Vent

With the pair of you will receive:

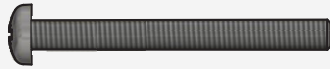
Wind Deflector Fixings (16 off each)

Stainless Steel Bolt

Rubber Washer

Plain Washer

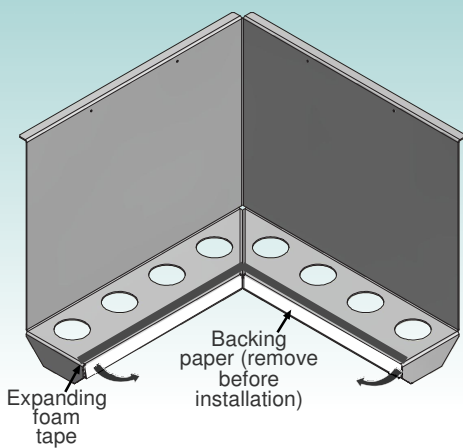
Lock Nut



Mardome Installation

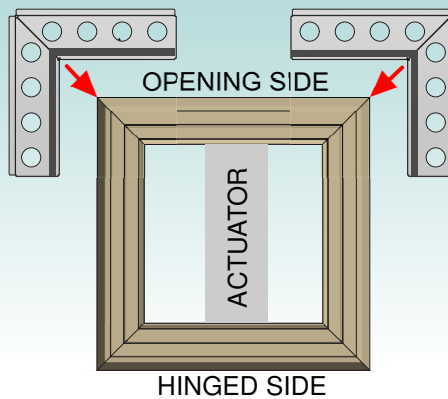
! Please note that all Health and Safety Regulations must be followed on site throughout the installation process.

a

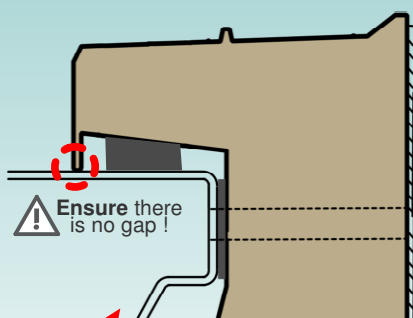


b

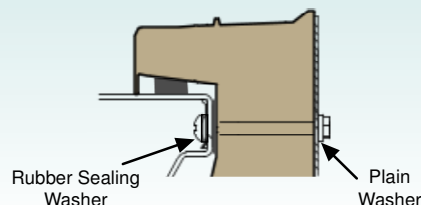
Positioning the Wind Deflectors



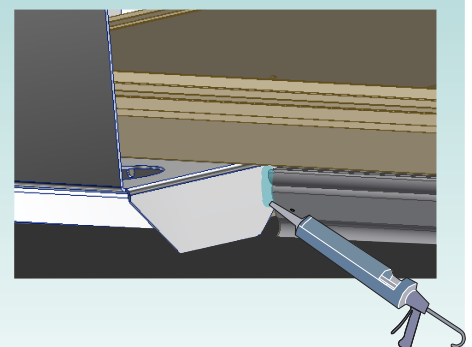
b c Positioning the Wind Deflectors



d Fixing the Wind Deflectors



e Sealing the joints between Wind Deflector and roof covering clamp



TECHNICAL SUPPORT: For any technical information/queries please contact your supplier.

Brett Martin Daylight Systems operates a policy of continuous product improvement, and reserves the right to alter specifications at any time without notice. Every effort has been taken to ensure all details contained in this document are correct at the time of going to press but this document should be used only as a guide and does not in any way form part of a contract or warranty. It is the customer's responsibility to ensure that the product is suitable for the actual conditions of use, which are beyond the control of Brett Martin Daylight Systems.