

NOTES

- 1) MINIMUM INSTALLED PITCH OF 2°. MAXIMUM INSTALLED PITCH OF 15°.
- 2) IF SELF CLEANING OR EASY CLEAN GLASS IS SPECIFIED THEN MINIMUM RECOMMENDED INSTALLATION PITCH IS 10°

Issue	Date	Change detail	Drawn by	Approved
1	07/03/23	First Issue	FC	NO



Coventry
 Alderman's Green Ind Est
 Coventry CV2 2QU
 024 7660 2022
 www.brettmartin.com

Title: Brett Martin Circular Glass - Fixed Builders Upstand

Page: 1 of 2

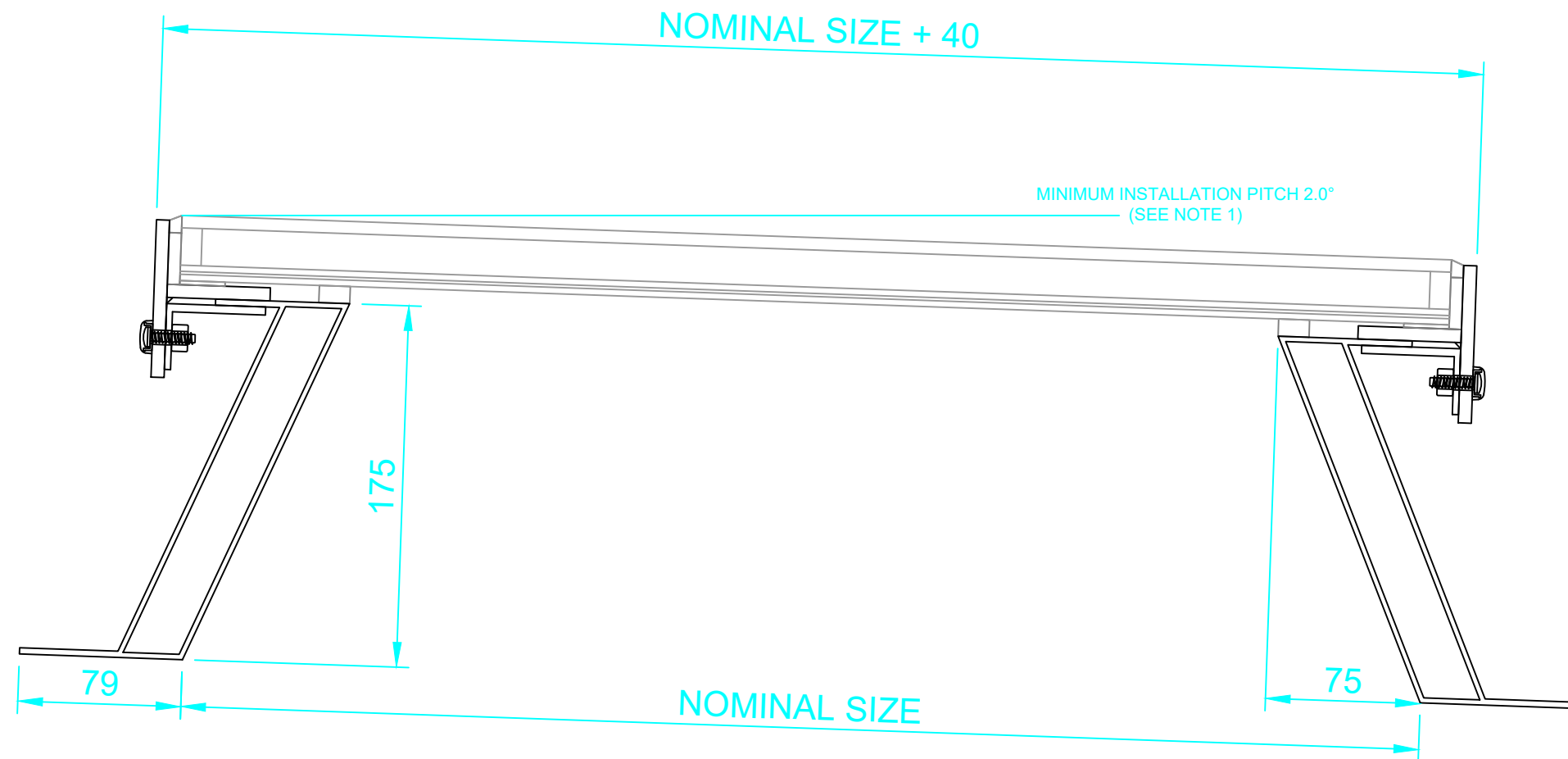
Drawn by: FC

Dwg No:

Scale: 1:3

Approved: NO

HC622



NOTES

- 1) MINIMUM INSTALLED PITCH OF 2°. MAXIMUM INSTALLED PITCH OF 15°.
- 2) IF SELF CLEANING OR EASY CLEAN GLASS IS SPECIFIED THEN MINIMUM RECOMMENDED INSTALLATION PITCH IS 10°

Issue	Date	Change detail	Drawn by	Approved
1	07/03/23	First Issue	FC	NO



Coventry
 Alderman's Green Ind Est
 Coventry CV2 2QU
 024 7660 2022
 www.brettmartin.com

Title: Brett Martin Circular Glass - Fixed Sloped Kerb

Page: 2 of 2

Drawn by: FC

Dwg No:

Scale: 1:3

Approved: NO

HC622