**READ ME !** 

Thank you for purchasing a Front Runner Adjustable Cargo Brackets.

Before you start, take a moment to familiarize yourself with the Fitting Instructions and the components received.

Refer to Page 2 for a list of all the components, quantities and tools required.

IMPORTANT WARNING! 

IT IS CRITICAL THAT ALL FRONT RUNNER PRODUCTS BE PROPERLY AND SECURELY ASSEMBLED AND ATTACHED TO YOUR VEHICLE. IMPROPER ATTACHMENT COULD RESULT IN AN AUTOMOBILE ACCIDENT, AND COULD CAUSE SERIOUS BODILY INJURY OR DEATH. YOU ARE RESPONSIBLE FOR ASSEMBLING AND SECURING ALL FRONT RUNNER PRODUCTS TO YOUR VEHICLE, CHECKING THE ATTACHMENTS PRIOR TO USE, AND PERIODICALLY INSPECTING THE PRODUCTS FOR ADJUSTMENT, WEAR AND DAMAGE. THEREFORE, YOU MUST READ AND UNDERSTAND ALL OF THE INSTRUCTIONS AND PRECAUTIONS SUPPLIED WITH YOUR FRONT RUNNER PRODUCT PRIOR TO INSTALLATION OR USE. IF YOU DO NOT UNDERSTAND ALL OF THE INSTRUCTIONS AND CAUTIONS, OR IF YOU HAVE NO MECHANICAL EXPERIENCE AND ARE NOT THOROUGHLY FAMILIAR WITH THE INSTALLATION PROCEDURES, YOU SHOULD HAVE THE PRODUCT INSTALLED BY A PROFESSIONAL INSTALLER OR OTHER QUALIFIED PERSONNEL.

NOTE: Front Runner will not be responsible for any damage caused by the failure to install the product according to these instructions.

Please call us if you have any questions about the installation of this product.

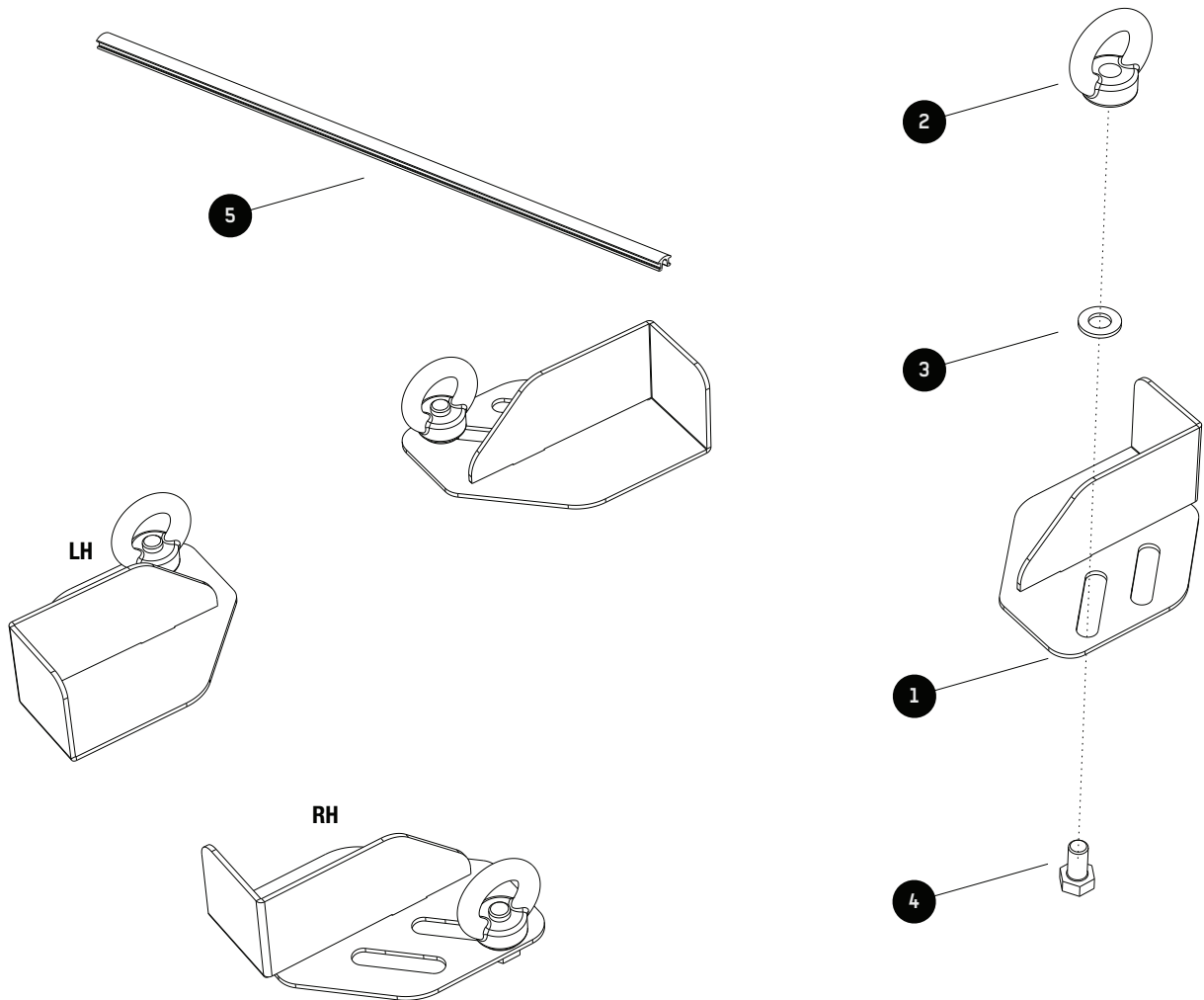
1

GET ORGANIZED

IN THE BOX

| | | |
|---|-----|------------------------------------|
| 1 | 4 X | Adjustable Cargo Bracket 2LH + 2RH |
| 2 | 4 X | M8 Eye Nut |
| 3 | 4 X | M8 Nylon Washer |
| 4 | 4 X | M8 x 16 Hex Bolt |
| 5 | 1 X | T-Slot Rubber 1000mm |

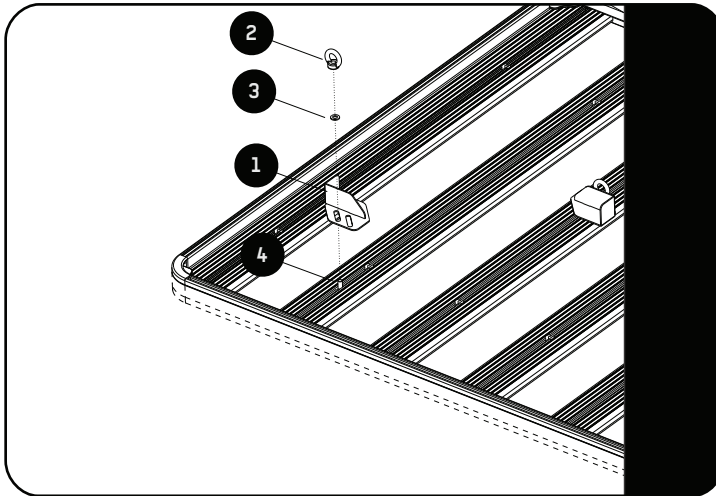
FIGURE 1.1



2

SECURING THE CORNERS

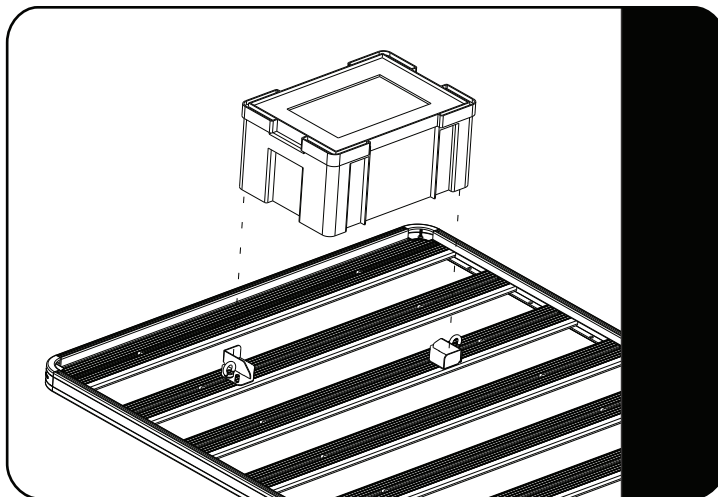
2.1



Decide where on the Rack you want to fit your storage boxes.

Slide M8 x 16 Hex Bolts (Item 4) in the chosen slats. Loosely fit the Adjustable Cargo Bracket (Item 1) using an M8 Eye Nut and M8 Nylon Washer. (Items 2 & 3).

2.2



Use the T-Slot Rubber (Item 5) included and insert into the T-Slot to help prevent cargo from moving and to protect your rack.



Place your storage box onto the Rack between the Adjustable Cargo Bracket .

Set the Brackets before fully tightening.

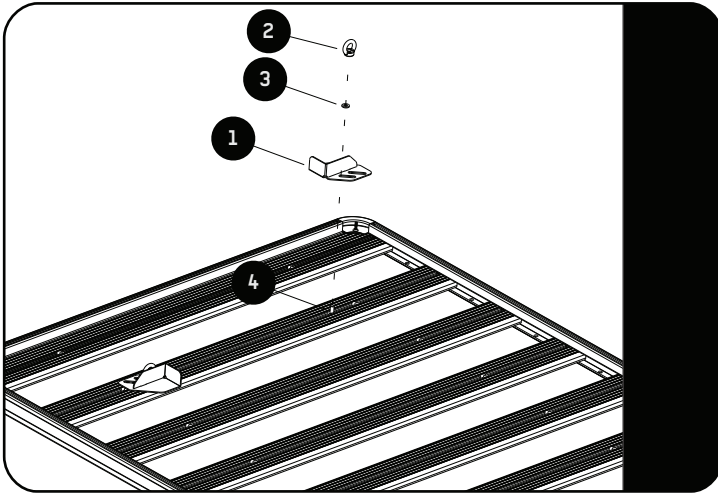
2.3



Secure the storage box using a Stratchit - STRA034 (Not Supplied).

2**SECURING THE MIDDLE OF A FRONT RUNNER CUB OR WOLF PACK**

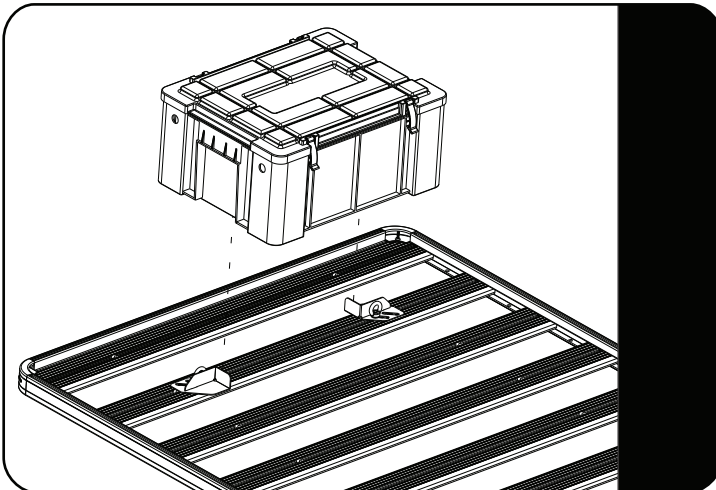
2.4



Decide where on the Rack you want to fit your storage boxes.

Slide two M8 x 16 Hex Bolts (Item 4) in the chosen slats. Loosely fit the Adjustable Cargo Bracket (Item 1) using an M8 Eye Nut and M8 Nylon Washer. (Items 2 & 3).

2.5



Use the T-Slot Rubber (Item 5) included and insert into the T-Slot to help prevent cargo from moving and to protect your rack.



Place your storage box onto the Rack between the Adjustable Cargo Bracket.

Set the Buckets before fully tightening.

2.6



Secure the storage box using a Strachit - STRA034 (Not Supplied).

3

FINISH

Congratulations! You did it. Take a step back and admire your work!

4

INSTALL OTHER VEHICLE AND RACK ACCESSORIES

Now's the time to visit your favorite Front Runner Dealer in person or online.

Be sure to tag us. We love to see our gear in action! #FrontRunnerOutfitters #BornToRoam

Share your adventures on: 