



•**HINT**• You can also watch the **FRONT RUNNER EXPANDER CHAIR VIDEO**. Go to **YOUTUBE.COM**, search for **Front Runner Outfitters**, or you can download from - **FRONTRUNNEROUTFITTERS.COM**

UNFOLDING TIME:

- 15 seconds sober
- 2 hours drunk

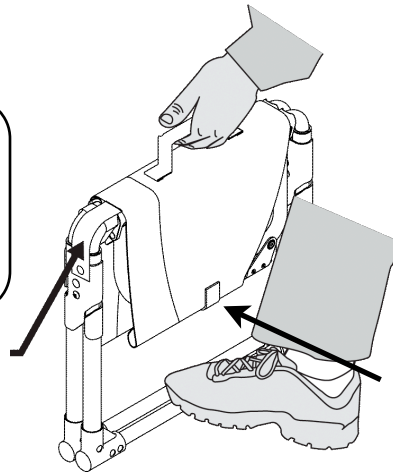
1 UNFOLD IT!

you will need:

- A Front Runner Expander Chair
- Your Feet
- Your Hands

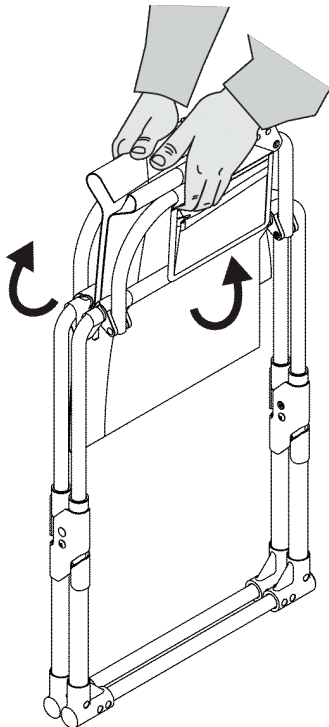
A)

Release the velcro straps on the side and under the seat.



B)

Hold down base with foot. Gently pull up on handle.

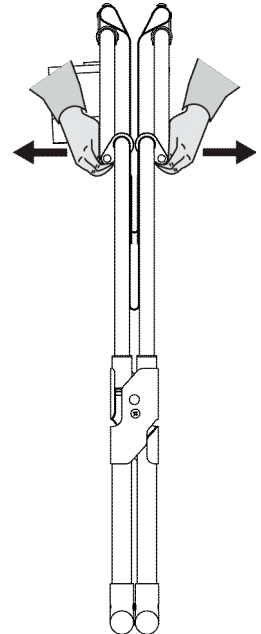


C)

Fold "wings" out and upwards.

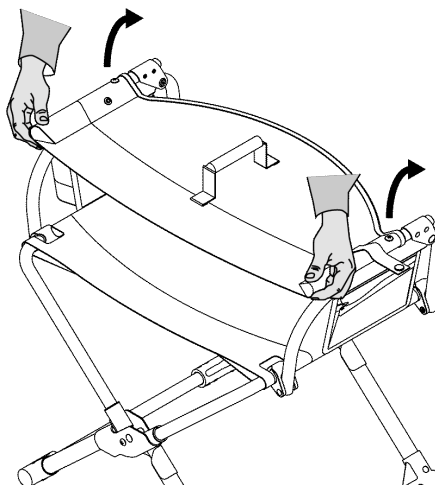
D)

Grab chair beneath the "wings", then spread chair down and outwards.



E)

Flip the chair's back support up.



F)

Take a load off and enjoy the view.