

Technical Data Information

Product Code:

SH104A

Construction

Brass Body (CuZn38Pb18)

Finishes

Chrome plated to BS EN 248

Product Type

Contemporary

Water Pressure

Min. 0.5 bar, Max. 6.0 bar

Plumbing Systems

Suitable for all plumbing systems, preferably balanced. Min. supply pressure differential requirement is 5:1

Standards

Complies with BSEN 1111

Certification

Manufactured to comply with WRAS, TMV2

Cartridge

Thermostatic

Fitting

Easy fit

Packaging

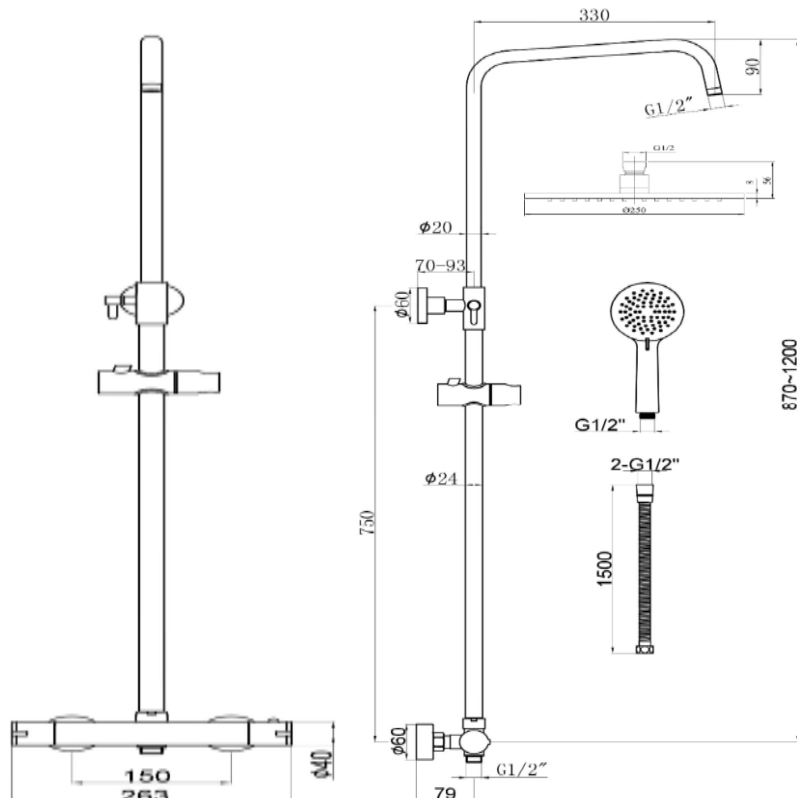
81.5 x 39.5 x 34cm / carton (4 boxes / carton)

Guarantee

10 years against manufacturing faults (excluding serviceable parts).

Additional Information

1. Temperature: Pre-set 38°C, with push button override to 48°C.
2. Automatic shut off in the event of hot or cold water supply failure.
3. Shower head : Brass shower head (chrome plated)
4. Shower handset : Chrome , ABS, 3 mode
5. Shower hose : 1.5M, stainless steel
6. Stainless steel adjustable height riser rail



All Dimensions are in millimetres. The information contained on this page was correct at date of issue. Fitting dimensions are provided as a guide only. Some variation may occur due to manufacturing tolerances. We pursue a policy of continuing improvement in design and performance of our products and so reserve the right to change specifications without prior notice.