

235 Series

Mechanical



- Robust
- Accurate
- Reliable
- Portable
- Dual Markings Available for Metric and Avoirdupois
- Low Cost
- Easy to Read
- Corrosion Resistant
- Capacities- 11 lb (5 kg) to 660 lb (300 kg)

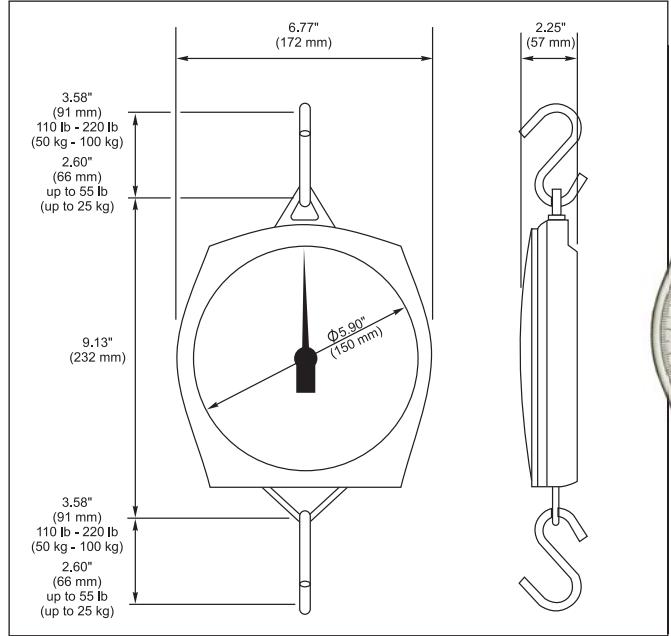
VALUE IN
WEIGHING

Model 235-6S

Compact, robust and corrosion resistant, housed in a tough ABS plastic case with shatterproof polycarbonate dial cover. Low friction acetal bearings provide positive movement to give maximum sensitivity. Accurate to one part in 250 with up to 15% zero adjust. Supplied with top and bottom hooks.

Dual Marked

5 kg x 20 g	/	11 lb x 1 oz
10 kg x 50 g	/	22 lb x 2 oz
25 kg x 100 g	/	56 lb x 4 oz
50 kg x 200 g	/	110 lb x 8 oz
100 kg x 500 g	/	220 lb x 1 lb

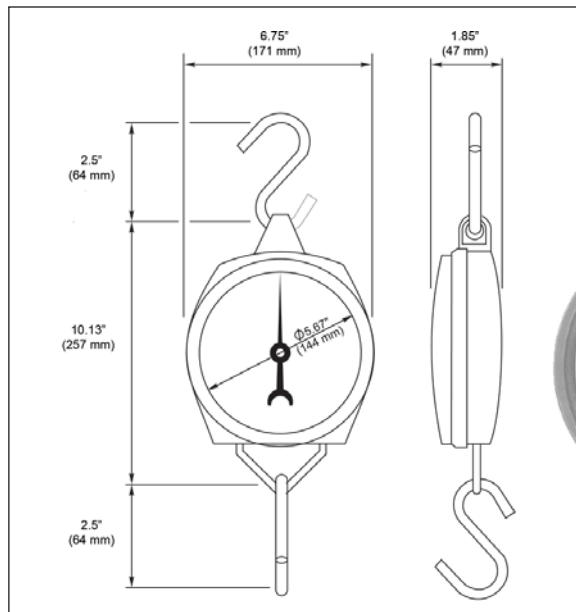


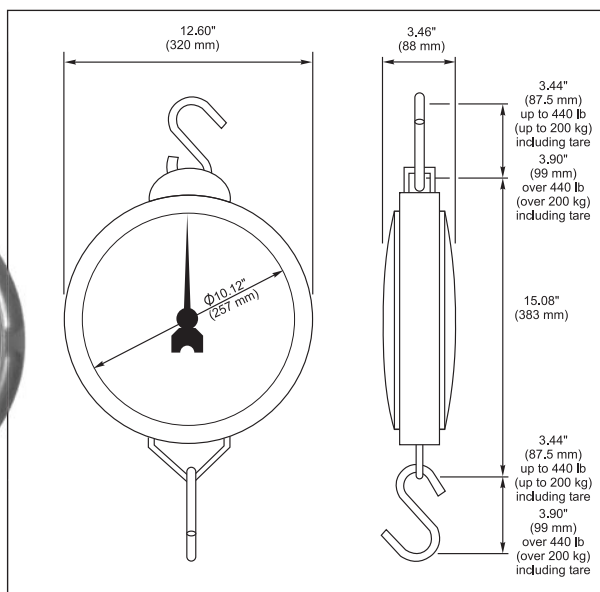
Model 235-6M

Compact, robust, housed in the traditional metal case. Accurate to one part in 250 with up to 10% zero adjustment. Supplied with top and bottom hooks.

Dual Marked

5 kg x 20 g	/	11 lb x 1 oz
10 kg x 50 g	/	22 lb x 2 oz
25 kg x 100 g	/	56 lb x 4 oz
50 kg x 200 g	/	110 lb x 8 oz
100 kg x 500 g	/	220 lb x 1 lb





Model 235-10X

Heavy duty suspended scale. Easy to read dial housed in a robust die cast casing. Low friction bearings provides positive movement to give maximum sensitivity. Accurate to one part in 500 with up to 10% zero adjustment. Supplied with top and bottom hooks as standard.

- 100 kg x 200 g / 220 lb x 8 oz
- 200 kg x 500 g / 440 lb x 1 lb
- 300 kg x 1 kg / 660 lb x 2 lb

Options available up to 56 lb (25 kg)

Galvanized scoop, 16½" x 14" x 6"
(419 mm x 356 mm x 152 mm deep);
up to 56 lb (25 kg)



Round stainless steel pan, 12.5" (318 mm) diameter,
2.25" (57 mm) deep; up to 56 lb (25 kg)



Round stainless steel pan, 12" (305 mm) diameter;
up to 56 lb (25 kg)





a division of Avery Weigh-Tronix, LLC

Salter Brecknell Weighing Products

1000 Armstrong Dr., Fairmont, MN 56031
Toll free: 800-637-0529, Tel: 507-238-8702
Fax: 507-238-8271
e-mail: sales@salterbrecknell.com
www.salterbrecknell.com

