

PEAK PILATES®



fit™ REFORMER
ASSEMBLY GUIDE AND OWNER'S MANUAL

TABLE OF CONTENTS

- About the ® fit™ reformer..... 1
- Recommended Use..... 2
- Safety Statement..... 2
- Proper Use..... 3
- Warranty..... 4
- Specifications..... 5
- Package Contents..... 6

- Assembly..... 10**
 - Unpack the carton..... 10
 - Assemble the leg..... 10
 - Attach the springs..... 11
 - Assemble the shoulder pads..... 11
 - Assemble the risers and ropes..... 11
 - Attach the foot strap..... 12
 - Attach the reformer straps springs..... 13
 - Adjust the gear bar..... 13
 - Adjust the headrest..... 14

- Operation..... 15**
 - Adjusting the foot bar..... 15
 - Using the Long/Short box..... 16
 - Installing the Jump Board..... 16
 - Stacking the fit™ reformer..... 16
 - Vertically storing the fit™ reformer..... 17
 - Maintaining the fit™ reformer..... 18

ABOUT THE PEAK PILATES® fit™ REFORMER

Thank you for purchasing the Peak Pilates® fit™ reformer. The fit™ reformer is an affordable, light-weight, and durable piece of Pilates equipment that offers a unique stacking and vertical storing solution. The only reformer in its class to be built at “studio height,” it features a locking footbar, a four position one-hand gear bar and graphic treatment to align student and instructor. As with all Peak Pilates® equipment, the fit™ reformer is constructed of the highest quality, commercial grade material and is engineered for the utmost performance and durability.

This manual provides valuable information concerning the safe and proper use of your fit™ reformer machine. The entire guide should be read before beginning any exercise. All manufacturer’s recommendations, cautions and/or warnings must be adhered to at all times. Failure to adhere to the content provided in this manual could lead to damage to your machine and/or injury to you or your clients.

The remainder of this chapter will provide safety and contact information should your machine require service or should you need to ask functional questions. Subsequent chapters include information on: machine specifications, recommendations for basic use, instructions for unpacking and assembly, how to operate the machine, maintenance, and common replacement parts. If at any time you have questions concerning any part of this manual, please contact Peak Pilates®.

There are a great number of exercises that can be done on the fit™ reformer where correct form is imperative. We strongly advise that the fit™ reformer be used only by or under the supervision of a Peak Pilates® Certified Instructor. Peak Pilates® offers education programs and can provide certification training.

Visit www.peakpilates.com or call 800.847.7746 (or +1.310.823.7008 for international customers) for more information or assistance.

Recommended Use

Peak Pilates® strongly recommends consulting a physician for a complete medical exam before beginning an exercise program. Having a complete medical exam is particularly important if the user has a family history of high blood pressure, has heart disease, is over the age of 45, smokes, has high cholesterol, is obese, or has not exercised regularly in the past year. If at any time while exercising the user feels faintness, dizziness, pain, or shortness of breath, he or she must stop immediately.

Important: This manual contains important safety and usage information. Before beginning an exercise program on the Peak Pilates® fit™ reformer, read the entire manual, paying specific attention to all cautions and warnings. Use only for the intended exercises. Do not modify the machine in any way. It is designed to be used indoors. Modifying the machine will nullify your warranty. Keep this guide handy for future reference.



WARNING

UNSAFE OR IMPROPER USE OF THIS EQUIPMENT RESULTING FROM FAILURE TO READ AND COMPLY WITH ALL REQUIREMENTS AND WARNINGS COULD RESULT IN SERIOUS INJURY. BECAUSE PEAK PILATES® CANNOT ANTICIPATE EVERY SITUATION AND CONDITION THAT CAN OCCUR WHILE USING THE FIT™ REFORMER, WE MAKE NO REPRESENTATION CONCERNING THE SAFETY OF THIS EQUIPMENT. THERE ARE RISKS ASSOCIATED WITH THE USE OF ANY EXERCISE EQUIPMENT. THE USER ASSUMES ALL RESPONSIBILITY FOR THOSE RISKS.

Safety Statement

It is the responsibility of the purchaser of the product to instruct all individuals, whether they are the end users or supervising personnel, on the proper use of the equipment.

Inspect the machine including all structural and mechanical components, hardware, springs and accessories before use. Do not exercise on the machine if signs of excessive wear, loose hardware, or other defects are evident. Do not attempt to fix a defective machine. Notify Peak Pilates® immediately regarding any defects.

DO NOT remove labels for any reason. They contain important information. If the labels are illegible or missing, contact your service representative for replacements.

Visit www.peakpilates.com for more information.

NOTE: We strongly recommend that all users of Peak Pilates® exercise equipment be informed of the following information prior to use.

Proper Use

This equipment is only to be used as outlined in the Owner's Manual. It is imperative that the fit™ reformer be used properly to avoid injury or damage to the unit. Use only components provided by the manufacturer.

DO NOT use parts or accessories or modify the machine in any way not approved by Peak Pilates®. Keep a three-foot area (about one meter) around the equipment clear of obstructions. Make sure the machine is used on a level surface.

Specific Operating Warnings

- Be certain that all hardware is fully tightened before beginning to exercise.
- Verify that no gaps exist between the coils or other defects are evident in the springs. If any defects are seen, the spring(s) must be immediately replaced.
- Verify that no tears or excessive wear are evident in the ropes, foot loops, foot strap, or double loops. If excessive wear is evident, the ropes, strap, or loops must be immediately replaced.
- Do not tip the machine during use.
- Children must not be allowed near this machine. Teenagers and/or physically challenged individuals require supervision.
- It is the purchaser's sole responsibility to instruct end users and supervising personnel on the proper operating procedures of the fit™ reformer.
- Verify that all adjustable components are properly engaged in the exercise and not the in storage positions before beginning to exercise.
- We strongly recommend that the end user's physical condition be evaluated by a physician prior to beginning any exercise program.
- After each use, inspect the hardware that connects the foot bar support bar to the foot bar. The hardware should be snugly tightened so it creates friction at the pivot point and thus ensures proper function of the self-locking feature.
- Do not use the foot bar as a handle when lifting or moving the fit™ reformer.

NOTE: Understanding each and every warning to the fullest is critical. If any of these warnings are unclear, contact Peak Pilates® for clarification.

PEAK® PILATES, INC.

LIMITED METAL LINE WARRANTY

fit™ reformer:

PEAK® PILATES, INC. WARRANTS TO THE ORIGINAL PURCHASER THAT OUR EQUIPMENT WILL BE FREE FROM DEFECTS IN WORKMANSHIP AND MATERIALS. THIS WARRANTY DOES NOT COVER LABOR CHARGES ASSOCIATED WITH REPLACING COVERED COMPONENTS. PART(S) REPAIRED OR REPLACED UNDER THE TERMS OF THIS WARRANTY WILL BE WARRANTED FOR THE REMAINDER OF THE ORIGINAL WARRANTY PERIOD ONLY. THIS WARRANTY BECOMES EFFECTIVE UPON THE INVOICE DATE OF THE ORIGINAL PURCHASE FROM AN AUTHORIZED PEAK PILATES® DEALER ONLY. PEAK PILATES® RETAINS THE RIGHT TO EITHER REPAIR, REPLACE OR REFUND THE PRICE OF ANY DEFECTIVE COMPONENTS UNDER THIS WARRANTY.

THIS PRODUCT CARRIES A TWO-YEAR LIMITED WARRANTY ON THE FRAME STRUCTURAL COMPONENTS. ALL OTHER COMPONENTS, WITH THE EXCEPTION OF THE UPHOLSTERY, ROPES, FOOT STRAP AND DOUBLE LOOPS ARE COVERED BY A ONE YEAR LIMITED WARRANTY. IF A FAILURE DUE TO WORKMANSHIP AND/OR MATERIALS OCCURS, WE WILL, AT OUR DISCRETION, REPAIR OR REPLACE THE DEFECTIVE COMPONENTS. UPHOLSTERY, ROPES, FOOT STRAP, AND DOUBLE LOOPS ARE WARRANTED AGAINST DEFECTS IN WORKMANSHIP AND/OR MATERIALS FOR 60 DAYS. THIS WARRANTY REFERS TO THE PEAK PILATES® FIT™ REFORMER AND COVERS MATERIALS ONLY.

LIMITATIONS AND EXCLUSIONS

THIS LIMITED WARRANTY DOES NOT APPLY TO NORMAL WEAR AND TEAR, COSMETIC DAMAGE, IMPERFECTIONS THAT ARE WITHIN DESIGN SPECIFICATIONS OR THAT DO NOT MATERIALLY ALTER FUNCTIONALITY, OR DAMAGE DUE TO ACTS OF GOD, ACCIDENT, ABUSE, MISUSE, NEGLIGENCE, LACK OF NORMAL MAINTENANCE, ABNORMAL SERVICE OR HANDLING THAT DIFFERS FROM THAT SPECIFIED FOR THE FIT™ REFORMER, IMPROPER INSTALLATION OR IMPROPER OPERATION. IN ADDITION, ALTERATION OR MODIFICATION OF THE PRODUCT.

TO ORDER REPLACEMENT PART(S), THE ORIGINAL PURCHASER MAY CONTACT PEAK® PILATES, INC. PRODUCT SUPPORT AT (800) 847.7746. PROOF OF PURCHASE MAY BE NEEDED IN ORDER FOR PEAK® PILATES, INC. TO VERIFY WARRANTY COVERAGE AND ISSUE A RETURN MATERIALS AUTHORIZATION (RMA) NUMBER. PARTS BEING RETURNED TO PEAK® PILATES, INC. FOR WARRANTY CREDIT MUST BE SHIPPED PREPAID, ACCOMPANIED BY A PACKING LIST OR TAG BEARING THE RMA NUMBER AND THE CUSTOMER NAME. NO CREDIT WILL BE ISSUED FOR PARTS RETURNED WITHOUT PRIOR AUTHORIZATION FROM MAD DOGG ATHLETICS, INC. TO NOTIFY PEAK® PILATES, INC. OF DAMAGES THAT OCCURRED DURING SHIPPING YOU MUST DO SO WITHIN 48 HOURS OF RECEIPT OF GOODS.

PEAK® PILATES, INC. RESERVES THE RIGHT TO REVIEW DEFECTIVE PART(S). ALL COSTS OF SHIPPING DEFECTIVE PART(S) TO AND FROM PEAK® PILATES, INC. FOR INSPECTION SHALL BE BORNE SOLELY BY THE ORIGINAL PURCHASER. ANY REPAIR OR MODIFICATION OF DEFECTIVE PART(S) BY ANYONE OTHER THAN A PEAK® PILATES, INC. TECHNICAL REPRESENTATIVE OR AUTHORIZED SERVICE PROVIDER WILL VOID THIS WARRANTY. IF PEAK® PILATES, INC. DETERMINES, IN ITS SOLE DISCRETION, THAT IT IS IMPRACTICAL TO SHIP DEFECTIVE PARTS BACK TO PEAK® PILATES, INC. PEAK® PILATES, INC. MAY DESIGNATE, IN ITS SOLE DISCRETION, A REPAIR FACILITY TO INSPECT AND ESTIMATE THE COST TO REPAIR SUCH DEFECTIVE PART(S). THE COST, IF ANY, OF SHIPPING DEFECTIVE PART(S) TO AND FROM SUCH REPAIR FACILITY AND OF SUCH ESTIMATE SHALL BE BORNE SOLELY BY THE ORIGINAL PURCHASER. DEFECTIVE PART(S) MUST REMAIN AVAILABLE FOR INSPECTION UNTIL THE CLAIM IS FINALIZED. WHENEVER CLAIMS ARE SETTLED, PEAK® PILATES, INC. RESERVES THE RIGHT TO BE SUBROGATED UNDER ANY EXISTING INSURANCE POLICES THE CLAIMANT MAY HAVE.

DISCLAIMER OF WARRANTIES; LIMITATION OF LIABILITY

THIS WARRANTY IS IN LIEU OF ALL OTHER WARRANTIES, EXPRESSED OR IMPLIED, INCLUDING WITHOUT LIMITATION, THE IMPLIED WARRANTIES OF MERCHANTABILITY AND FITNESS FOR A PARTICULAR PURPOSE. REPAIR OR REPLACEMENT AS PROVIDED ABOVE SHALL BE THE SOLE AND EXCLUSIVE REMEDY AVAILABLE TO THE PURCHASER. CORRECTION OF DEFECTS, IN THE MANNER AND FOR THE PERIOD OF TIME DESCRIBED ABOVE, SHALL CONSTITUTE COMPLETE FULFILLMENT OF ALL LIABILITIES AND RESPONSIBILITIES OF PEAK® PILATES, INC. TO THE PURCHASER WITH RESPECT TO CONTRACT, NEGLIGENCE, ANY INCIDENTAL OR CONSEQUENTIAL DAMAGES BASED UPON BREACH OF ANY EXPRESS OR IMPLIED WARRANTY ON THIS PRODUCT OR OTHERWISE. SOME STATES DO NOT ALLOW THE EXCLUSION OR LIMITATION OF IMPLIED WARRANTIES OR INCIDENTAL OR CONSEQUENTIAL DAMAGES, SO THE ABOVE EXCLUSIONS AND LIMITATIONS MAY NOT APPLY TO YOU. THIS WARRANTY GIVES YOU SPECIFIC LEGAL RIGHTS, AND YOU MAY ALSO HAVE OTHER RIGHTS WHICH MAY VARY FROM STATE TO STATE. WARRANTIES OUTSIDE OF THE US MAY VARY.

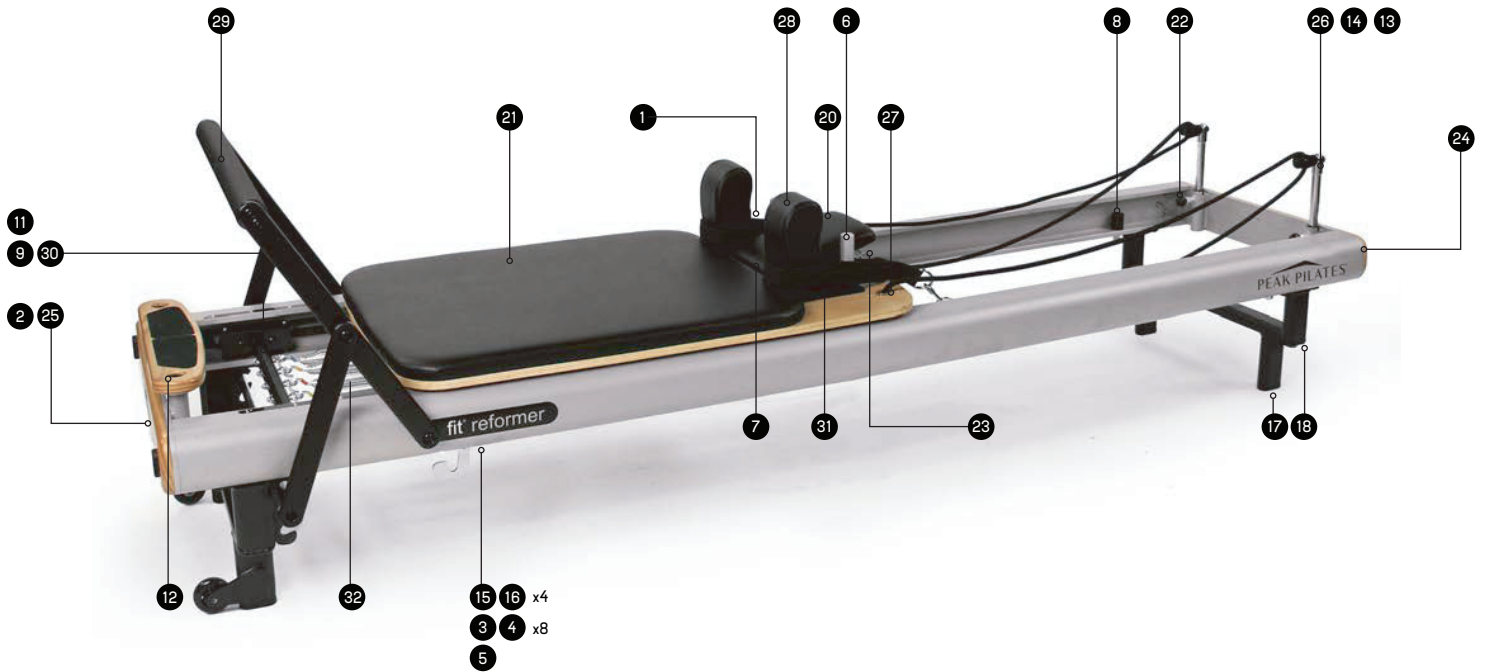
Copyright 2021 Peak® Pilates, Inc. All rights reserved. Peak Pilates® and fit™ are registered trademarks that are owned by Mad Dogg Athletics, Inc.®



fit™ REFORMER

SPECIFICATIONS

Weight:	110 lb / 50 kg
Length:	97 in / 246.3 cm
Width:	25 in / 63.5 cm
Carriage Height:	16 in / 40.6 cm
Maximum User Weight:	300 lb / 136 kilo
Training Area	
Length:	121 in / 307 cm
Width:	49 in / 124.46 cm











Parts Not Shown in Diagram









- 10
- 19
- 33







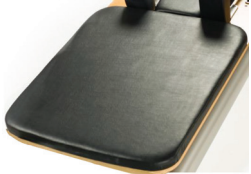



REPLACEMENT PARTS

PART	PART NUMBER	
1. fit™ Shoulder Pad Bracket		4610-02-2719
2. fit™ Rail Plate Assembly		4610-02-2737
3. fit™ Side Wheel Spacer		4610-03-1036
4. fit™ Wheel Spacer		4610-03-1037
5. fit™ Adjustable Weldment		4610-04-2289
6. fit™ Shoulder Pad Post		4610-05-0727
7. fit™ Head Pad Hinge		4610-05-0728
8. fit™ Carriage Stop		4610-05-0980

REPLACEMENT PARTS










PART	PART NUMBER
9. fit™ Shoulder Bolt Foot End Leg	 4610-05-0981
10. fit™ Allen Wrench	 4610-05-0983
11. fit™ Gear Change Bar Eyebolt	 4610-05-1002
12. fit™ Sleeve Standing Platform	 4610-06-0303
13. fit™ Sleeve	 4610-06-0846A
14. fit™ Sleeve Head End Assembly	 4610-06-0977
15. fit™ Carriage Tracking Wheel	 4610-06-0979
16. fit™ Carriage Riding Wheel	 4610-06-0980



17. fit™ Foot End Leg End Cap		4610-06-0985
18. fit™ Foot End Stacking Bumper		4610-06-0986
19. fit™ Long/Short Box		4610-07-0358
20. fit™ Head Rest		4610-07-0362
21. fit™ Carriage Pad		4610-07-0363
22. fit™ Riser Assembly Pull Pin Storage Bracket		4610-11-0117C
23. fit™ Head Rest Support Block		4610-18-0008
24. fit™ Wood Head End Panel		4610-18-0032





25. fit™ Wood Foot End Panel		4610-18-0034
26. fit™ Riser Assembly		4610-20-0434
27. fit™ Rope Cams		4610-20-0435
28. fit™ Shoulder Pad Assembly		4610-20-0436
29. fit™ Foot Bar Assembly		4610-20-0437
30. fit™ Gear Change Bar		4610-20-0438
31. fit™ Shoulder Pad BLK		4610-805-400
32. fit™ Reformer Springs		4810-805-026-7 (ExtraLight) 4810-805-026-4 (Light) 4810-805-026-5 (Standard) 4810-805-026-6 (Heavy)
33. fit™ Storage Bracket		4610-02-2919



Unpack the Carton

1

Open the box. Carefully remove all parts and verify that all components and accessories are included.

2

Place protective cover on the floor (so the aluminum frame will not be scratched). With one person at each end of the reformer, lift the unit out of the box and place on the floor.



WARNING

SINCE NO SPRINGS ARE ATTACHED, THE CARRIAGE IS NOT LOCKED IN POSITION AND MAY START TO ROLL, BE EXTRA CAUTIOUS WHEN MOVING THE UNIT.

3

Tip the reformer onto its side, exposing the underside of the frame.

Assemble the Legs

4

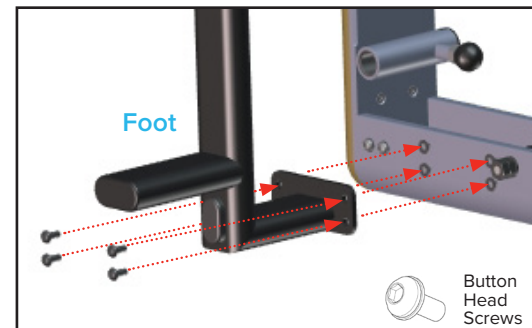
Attach the foot end leg to the reformer frame. Make sure that the wheels are facing toward the foot end of the machine. Secure using Button Head Screws and washers, hand tighten all eight screws on each leg.

5

Repeat the process for head end leg.

6

Go back and fully tighten all screws (torque to 12 ft-lbs or 16 N-m) with the provided 4mm allen wrench.



ASSEMBLY

Attach the Springs

7

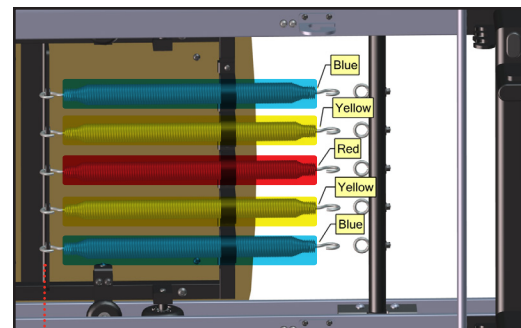
Attach the reformer springs to the anchor bar on the underside of the carriage. The open part of the hook should be facing away from the carriage.

8

Remove the shipping spacers located between the frame of the carriage and the aluminum rails.

9

With two people holding the reformer, turn the unit over onto its legs.

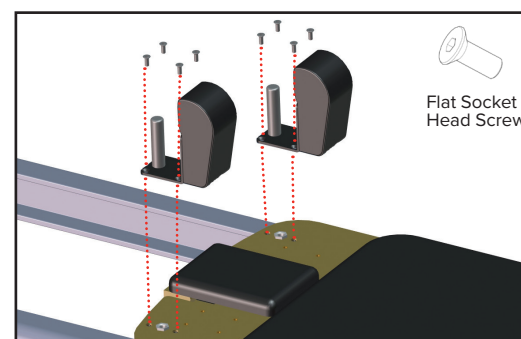


Anchor Bar

Assemble the Shoulder Pads

10

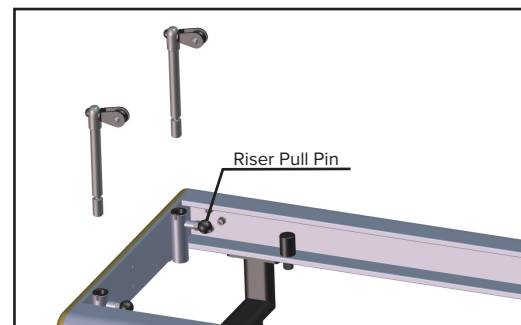
Place the shoulder pads into position, aligning the mounting holes. Secure using Flat Head Socket Screws. Partially tighten all four screws. Once all four are partially tightened, go back and fully tighten with the provided 5mm allen wrench.



Assemble the Risers and Ropes

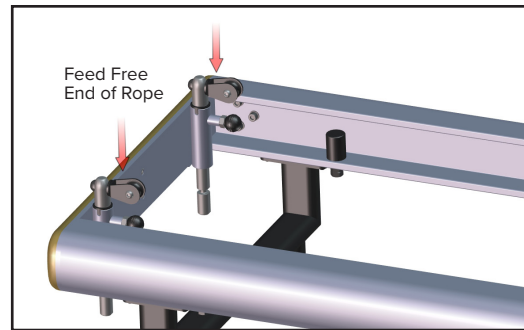
11

Pull out and hold the riser pull pin. Insert each riser into its respective bushing and release the pull pin. Make sure that the riser has engaged the pin and test by pulling up before the rope is installed.



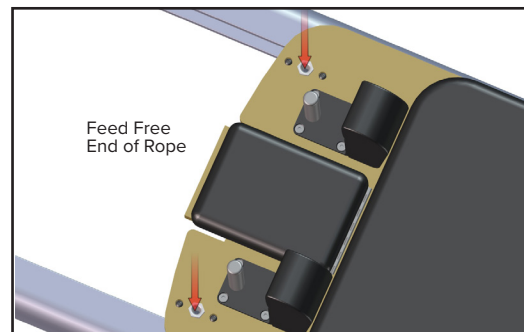
12

Feed the free end of each rope through the pulley on the riser assembly. Note that the ropes should only be used when the risers are in the raised and engaged position. Do not exercise on the reformer when the risers are in the low, stored position.



13

Feed the rope downward through the chrome guide. Pull the lever of the rope cleat and feed the rope through its cam. Repeat for the other side.



NOTE: MAKE SURE THAT THE ROPES ARE ADJUSTED TO EQUAL LENGTHS AND THE ROPE LOCK IS ENGAGED BEFORE USE.

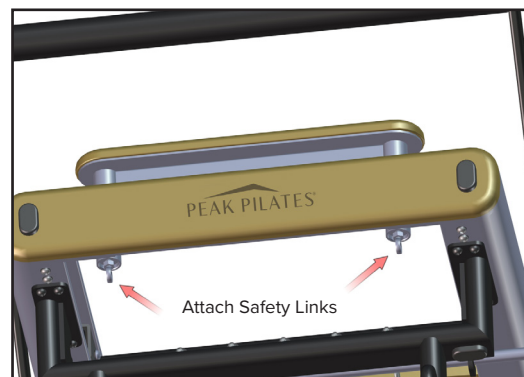
Attach the Foot Strap

14

To attach the foot strap, fasten one safety link to each of the eye bolts located under the foot end cross member.

15

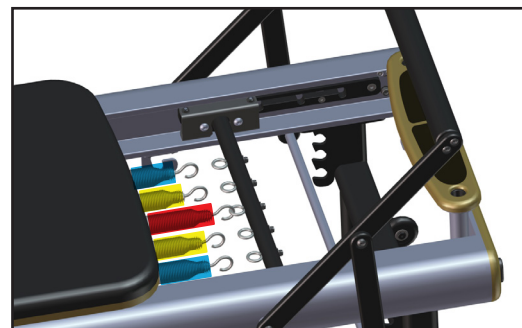
Tighten the safety link locking nuts.



Attaching the Reformer Springs

The fit™ reformer comes with five reformer springs as described below:

- HEAVY – One heavy spring marked with a red tab.
- MEDIUM – Two medium springs marked with yellow tabs.
- LIGHT – Two light springs marked with blue tabs.



WARNING

AT LEAST ONE SPRING MUST BE ATTACHED TO THE GEAR BAR AT ALL TIMES.

1

To attach a spring to an eye bolt on the gear bar, lift the end of the spring and insert the spring hook through the respective eye bolt on the gear bar.

Adjusting the Gear Bar

The gear bar has 4 positions: -1, 1, 2, and 3. To adjust the gear bar:

1

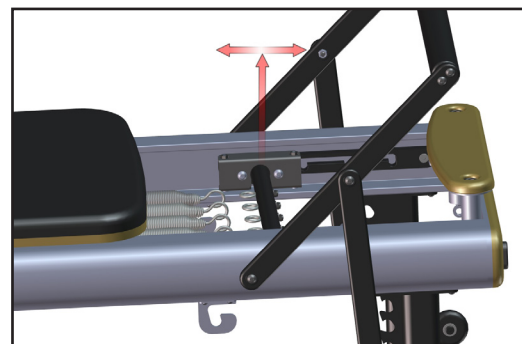
Remove all five springs.

2

Lift the center of the gear bar.

3

Move the gear bar to desired position and make sure



Move gear block

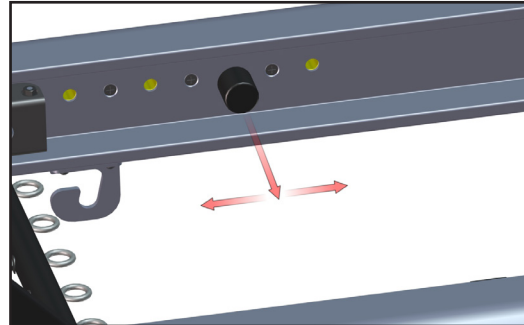
4

that the bar drops into the slot and is fully engaged. Pull out the gear block and place it in the location hole that corresponds to the gear bar position. Make sure that the pin is completely engaged in the hole.

Gear bar	→	Gear block
-1		-1
1		1
2		2
3		3

5

Re-attach at least one spring to the gear bar.



WARNING

MAKE SURE THAT THE GEAR BAR IS FULLY ENGAGED IN ONE OF THE FOUR POSITIONS BEFORE BEGINNING TO EXERCISE. FAILURE TO DO SO COULD RESULT IN DAMAGE TO THE REFORMER OR INJURY TO THE USER.

Adjusting the Headrest

The headrest has three positions:

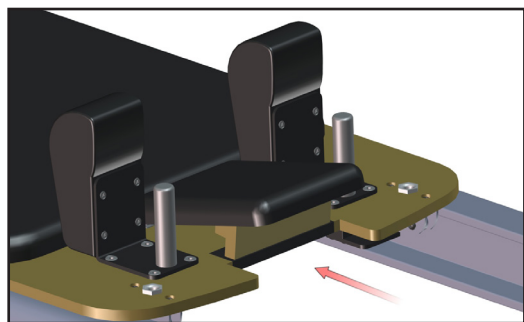
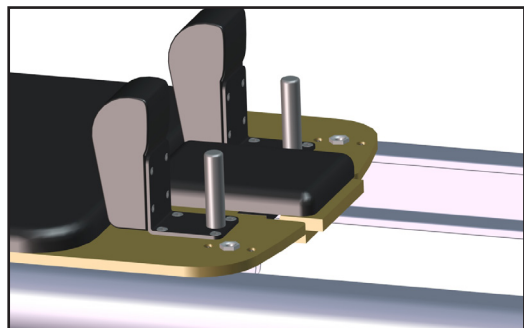
- Flat, as shown in the figure
- Half raised

1

- Fully raised
- To change the headrest from the flat position to the half-raised position:
- Lift and push in the headrest support block until

2

- it rests on its first ledge.
- To change the headrest to the fully raised position:
- Lift the headrest and push the headrest support block in all the way.

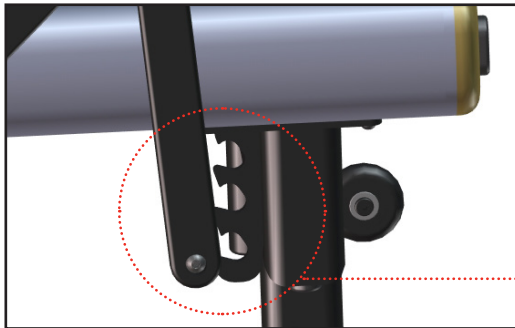


WARNING

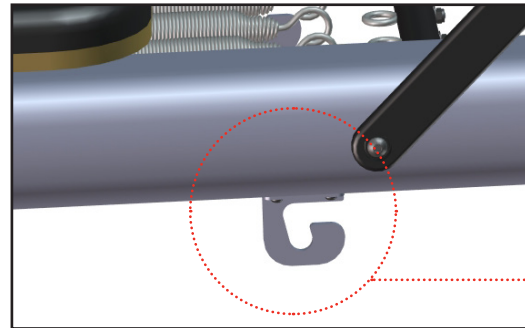
VERIFY THAT THE HEADREST SUPPORT BLOCK IS PROPERLY SET BEFORE BEGINNING ANY EXERCISE.

Adjusting the Foot Bar

The foot bar has four positions – three functional and one for storage.



Three Functional Positions



Storage Position

To disengage and change the position of the foot bar:

1

Lift the rod at the end of the foot bar support bar out of its locating slot while holding the foot bar with your other hand.

2

Re-engage the rod of the support bar to the desired position.



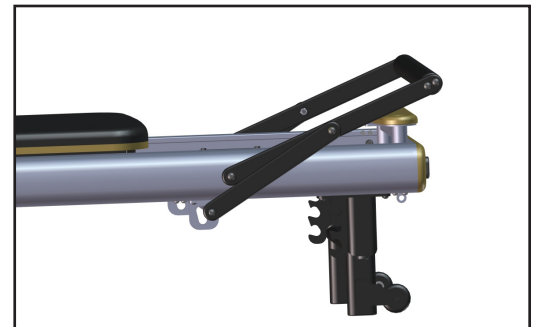
WARNING

ENSURE THAT THE ROD OF THE FOOT BAR SUPPORT BAR IS FULLY ENGAGED IN BOTH OF ITS POSITIONING SLOTS (LEFT AND RIGHT SIDES) BEFORE BEGINNING ANY EXERCISE. FAILURE TO DO SO COULD RESULT IN SERIOUS INJURY.

The fourth position is the storage position. To store the foot bar:

3

After disengaging the foot bar support bar from a locating slot, lift the foot bar until it's nearly vertical. Swing the rod of the foot bar support bar toward the head end of the reformer. Slide the rod into the storage bracket slot.



WARNING

DO NOT USE THE FOOT BAR AS A HANDLE TO LIFT THE FIT™ REFORMER. INSTEAD, PLEASE LIFT BY GRASPING THE UNDERSIDE OF THE FRAME MEMBERS.

Installing the Jump Board

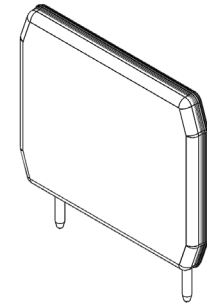
To install the Jump Board perform the following:

1

Lower the Footbar and Support Bar.

2

Slide the Jump Board pegs into the holes located on the Standing Platform with the padded end facing the carriage.



Using the Long/Short Box

Use the Long/Short box by following the directions below.

To use as a Long box:

1

Place the headrest in the flat position and foot bar and foot bar support bar in the storage position.

2

Place the box lengthwise on the carriage cushion, butting one end against the shoulder pads.

To use as a Short box:

1

Place the headrest in the flat position and foot bar and foot bar support bar in the storage position.

2

Place the box on the carriage cushion with one of the long sides resting against the cushioned surface of the shoulder pads.

Stacking the fit™ reformer

The fit™ reformer is unique in its design and can be easily stacked without the removal of any parts.

1

Place the gear bar and gear block in position 3.

2

Make sure at least the center spring remains hooked to the gear bar.

3

Place the foot bar and bar support bar in the storage position making sure that the support bar is fully engaged.



WARNING VERIFY THAT THE FOOT BAR SUPPORT BAR IS FULLY ENGAGED IN ITS STORAGE SLOT BEFORE ATTEMPTING TO LIFT A MACHINE.

OPERATION

4

Pull the pin on each riser and make sure that they drop to their lowest position..

5

For the upper machine: Hook each double loop strap onto its respective storage post located behind the shoulder pad.

6

For the lower machine: Slide the double loop straps off of the storage posts and drop into the well of the reformer.

7

Hook the foot strap into its storage loop.

8

With one person at each end, lift the reformer by grasping the underside of the frame members. **Do not use the foot bar as a handle to lift the reformer.**

9

Nest the units by lining up the head end and foot end legs respectively and lowering the top unit into the well of the machine below. Use caution to ensure that fingers and clothing do not get caught between each reformer when stacking.

CAUTION

VERIFY THAT THE ALL FOUR STACKING BUMPERS OF THE UPPER UNIT TOUCH THE TOPS OF THE LOWER UNIT RAILS OF THE BEFORE ATTEMPTING TO STACK ADDITIONAL MACHINES. DO NOT STACK OVER 4 UNITS HIGH FOR STABILITY.

Vertically Storing the fit™ reformer

To vertically store the fit™ reformer:

1

Place the gear bar and gear block in the -1 position.

2

Make sure that at least the center spring is hooked onto the gear bar.

3

Place the foot bar in its highest position.

4

Hook the foot strap into its storage loop.

5

Roll the machine to its desired storage location.



WARNING

VERIFY THAT THE FLOOR IS FLAT AND THAT THERE ARE NO OBSTRUCTIONS IN THE DESIRED STORAGE AREA.

6

Carefully lift the head end of the machine from the cross member. Continue lifting by “walking” your hands along the left and right side rails until the storage bumpers located on the foot end cross member contact the flooring surface. The unit should rest at approximately 10 degrees short of completely vertical when properly stored.



WARNING

THE LOCATION FOR VERTICAL STORAGE SHOULD BE CAREFULLY SELECTED—THE MACHINE SHOULD NOT BE PLACED IN AN AREA WHERE IT COULD BE KNOCKED OVER. PLACING THE UNIT ON A CARPETED OR SOFT FLOORING AS WELL AS TOUCHING OR BUMPING INTO THE UNIT IN ANY WAY COULD CAUSE IT TO FALL.

Maintaining the fit[™] reformer

You have purchased a high-quality piece of equipment that is constructed of the finest components and materials. Proper care requires only a small, but very important investment of time in a regular, routine maintenance program.

Part	Daily	Weekly	Bi-Monthly	Annually	As Needed
Inspect:					
Overall Machine	✓				
Springs	✓				
Tracking System		✓			
Hardware			✓		
Foot Bar Support Bar Hardware	✓				
Clean:					
Frame					✓
Upholstery	✓				
Tracking System		✓			
Replace:					
Springs				✓	
Ropes				✓	
Double Loops					✓
Safety Clips					✓

Refer to the next page for details.

OPERATION

INSPECT

- Overall Machine
- Springs
- Tracking System
- Hardware
- Foot Bar and Foot Bar Support Bar

Overall Machine: We highly recommend that you visually inspect the machine daily.

Springs: Even with extensive pre-testing and rigorous quality inspections, the possibility of spring failure exists. In addition, severe nicks or abrasions may develop as a result of misuse and could lead to springs breaking prematurely. Not replacing springs in a timely manner could also lead to failure. While breakage or deformation of a spring and the resulting potential for injury is a remote possibility, a daily inspection is critical. If, at any time, a gap between the coils of a spring becomes evident, that spring needs to be replaced immediately. The springs are nickel-plated to prevent rust or corrosion from perspiration, condensation and/or humidity. Minor variations in the brightness of the finish are the result of different plating batches and do not affect the performance of the springs.

Tracking System: The protected bearings in the carriage wheels are permanently lubricated and require no further service. You should inspect the axles weekly. Remove any debris that might be trapped between the wheel and carriage frame and tighten the axles if any wheel “play” is evident.

Hardware: All hardware should be checked every 2 months to make sure that every nut, bolt and fastener is secure. If at any time, a component exhibits free play, its hardware needs to be properly re-tightened immediately.

Foot Bar and Foot Bar Support Bar:

The hardware that connects the Foot Bar Support Bar to the Foot Bar should be inspected daily or after each use. The bolts should be sufficiently tight to create friction at the pivot point and prevent the Foot Bar Support Bar from swinging freely.

CLEAN

- Frame
- Upholstery
- Tracking System

Framework: The framework and wood components should be cleaned with a mild, soapy solution. A good furniture polish can also be used on the wood components.

Upholstery: We recommend wiping down your vinyl upholstery with a mild cleaning solution after each use. For example, a solution of one part Simple Green and 12 parts water in a spray bottle works well.

Tracking System: The tracks upon which your carriage rides are powder coated to inhibit the buildup of aluminum oxide. Clean them on an as-needed basis using a warm, mild soapy water solution and dry thoroughly with a soft cloth.

REPLACE

- Springs
- Ropes
- Double Loops
- Safety Clips

Springs: All springs should be replaced each year. Any spring that exhibits early signs of fatigue (for example, separation in coils) need to be replaced immediately. High-use facilities should replace springs more often.

Ropes, Double Loops, Safety Clips: Over time you may you may experience some minor “fraying” in the ropes. Fraying is completely normal and to be expected. Any ropes with excess fraying, tearing or other problems need to be replaced immediately. Double loops, safety clips, and so on can wear over time. Replace them as required.



WARNING

VERIFY THAT ANY PERSON(S) MAKING ADJUSTMENTS, PERFORMING MAINTENANCE OR MAKING REPAIRS OF ANY KIND IS QUALIFIED TO DO SO.

SUPPLEMENTAL INFORMATION

The fit™ reformer is in compliance with the EN 957-2 Class S (studio) standard. Please insure that the fit™ reformer is used in supervised areas where access and control is specifically regulated by the instructor or user. Please keep pets and small children away from the reformer at all times. The fit™ reformer should also only be used by persons that have been trained and/or are being trained by Peak Pilates® Certified Instructors or equivalent.

The fit™ reformer should always be used in a safe manner and has a user weight limit that should not exceed 300 pounds. Please refer to the Peak Pilates® training methods learned during instruction for all exercise modalities on the fit™ reformer. Peak Pilates® education and programming provide comprehensive training in all aspects of exercises that can be achieved on this reformer. Training is imperative to safe and quality operation of this reformer. Springs provide resistance during exercise on the fit™ reformer. Exercise should always be achieved in a deliberate and controlled manner that is consistent with the Peak Pilates® program.

Please note that any adjustment features left protruding can possibly interfere with the user's movement on or around the fit™ reformer.

The fit™ reformer is classified as a speed-independent piece of training equipment (meaning that the resistance can also be adjusted by other means than speed; eg: an adjustable braking mechanism).





North America

Peak Pilates[®]
2111 Narcissus Court
Venice, CA 90291 U.S.A.
310.823.7008 (Worldwide)
800.847.7746 (North America)
310.823.7408 (Fax)
info@peakpilates.com

Europe

Scheldeweg 3,
3144 ES Maassluis
The Netherlands
+31 1059 04508
+31 6814 77697
customerserviceEurope@maddogg.com