

HELIOS

HM5500 Massage Chair

User Manual



Table of Contents

Safety Information	02
Chair Diagram	03
Assembly	03-04
Before Use	04
Remote	05
After Use	06
Specifications	06
Care & Maintenance	06
Troubleshooting	07
Warranty Information	07

Safety Information

Please read the instructions carefully before using the product. These are for the safety of you and others while operating. For convenience, keep this manual for reference. Do not use the product in any way other than described in this manual.

CAUTION!

Do not use this product in humid, dusty, or high temperature environments, as this will cause damage to the electrical components. If you use the product in freezing temperatures, increase the temperature gradually (not all at once). Moving the product from freezing to warm temperatures will impact the performance of the product, while moving the product from warm to freezing temperatures requires an hour wait before use.

DO NOT USE IF:

- You are unfamiliar with the product. Familiarize yourself with the product and its controls before using.
- The line cord is damaged. Do not attempt to replace yourself. It should be replaced by the manufacturer or a professional technician.
- You have any transplanted medical equipment (artificial heart, lungs, pacemaker, etc.)
- You are sensitive to heat. The chair may generate heat during/after use and may cause discomfort to heat-sensitive people.
- You are wet. This could result in electronic malfunctioning, or in a shock or death.

CONSULT A DOCTOR BEFORE USE IF:

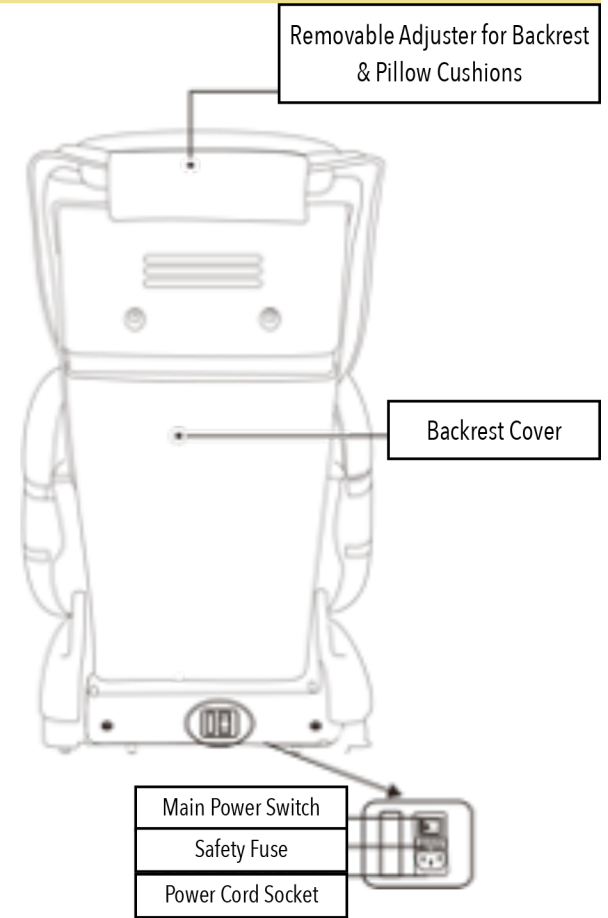
- You are, or could be, pregnant.
- You have a history of cerebral hemorrhage.
- You have a history of heart disease.
- You suffer from a spinal disorder or dislocation.
- You have poor circulation.

Chair Diagram

FRONT



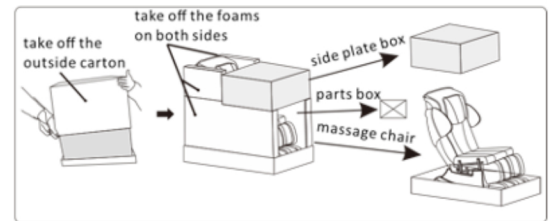
REAR



Assembly

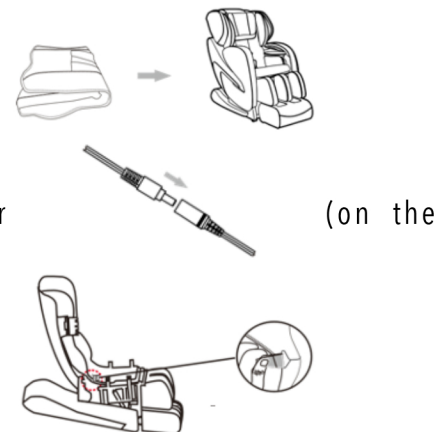
1. Open the box and make sure everything is there.

- Take the side plate out and remove the foam.
- Take out the parts box and make sure everything is accounted for.



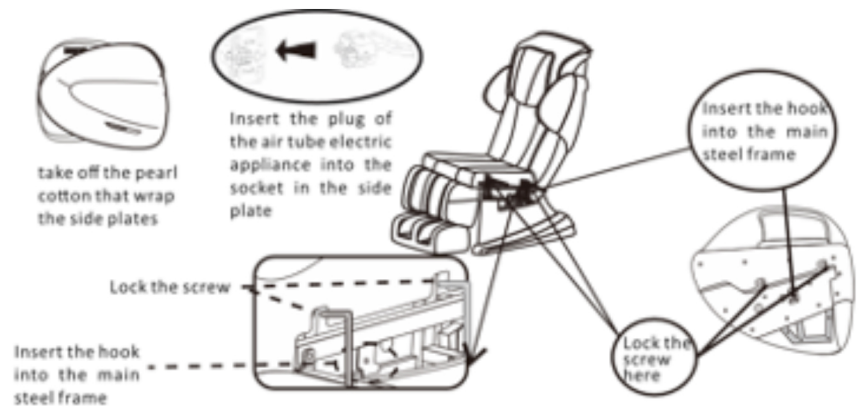
2. Install the cloak heating device.

- Remove the cloak from the box and place it on the chair.
- Attach the heating cable port (on the back of the cloak device) to the heating connector back of the chair).
- Hang the hooks (on the back of the cloak device) onto both sides of the backrest.



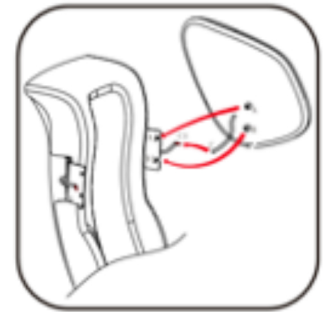
3. Install the side plates.

- Remove the cotton that protects the side plates.
- Insert the plug of the air tube electronic appliance into the socket in the side plate.
- Insert the hook into the main steel frame.
- Lock the screws.



4. Install the shoulder airbags.

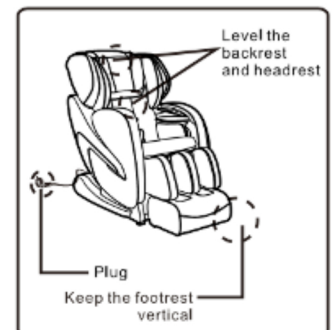
- Join screw 'C' and 'C1' at the air tube junction and tighten.
- Align screw 'A' with 'A1' and screw 'B' with 'B1' and slip in from steel plate opening.
- Screw head and washer onto steel plate, then fix and lock screw 'A' and 'B' with hex wrench.



Before Use

1. Make sure the chair is ready to be used.

- Confirm that the backrest and headrest are installed.
- Confirm that the power plug is plugged in, operational, and not frayed or showing exposed wires.
- Confirm that the footrest is fully lowered.



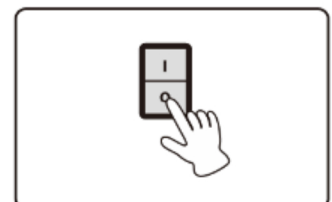
2. Check the surroundings.

- Make sure there are no obstacles surrounding the massage chair, as these can prevent the gliding/reclining mechanisms.



3. Turn the chair on.

- Connect the power cord.
- Turn on the switch on the rear cover.
- The power light on the controller will flash when successful.



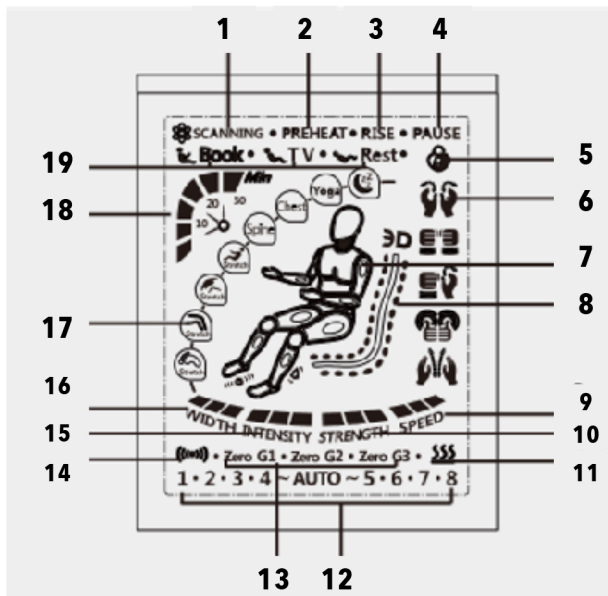
4. Adjust the head cushion.

- The bottom of the cushion should be at the same level as your ears.

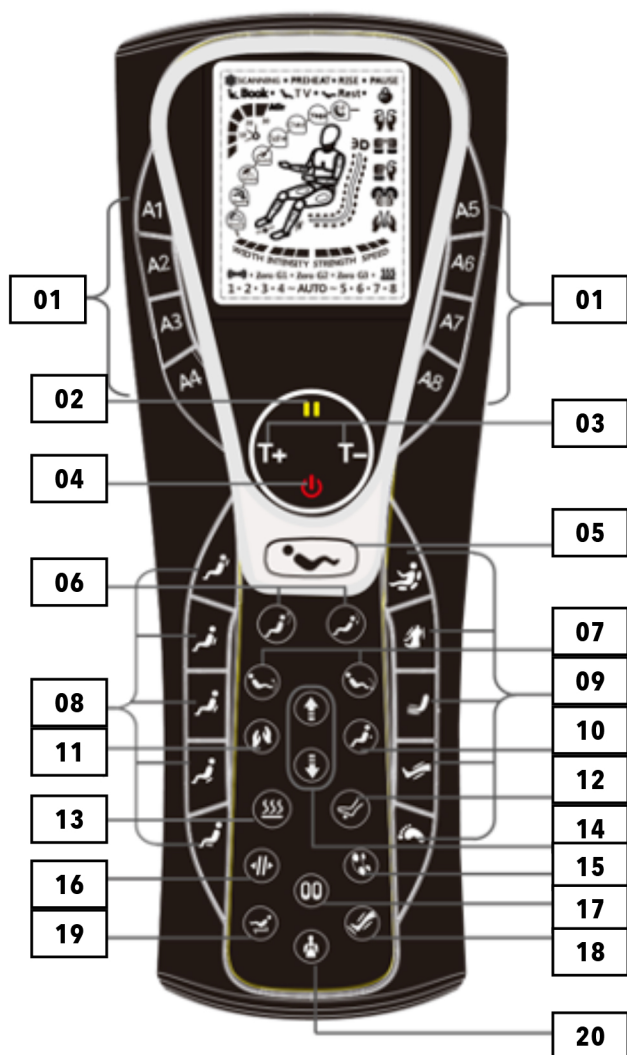


DISPLAY

KEY



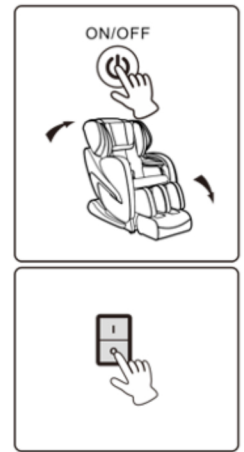
- | | |
|--------------------------|------------------------------|
| 1. Body Scan | 8. Massage Roller Position |
| 2. Pre-Heat | 9. Massage Roller Speed |
| 3. Posture Rise | 10. Massage Roller Intensity |
| 4. Pause | 11. Heat |
| 5. Child Safety Function | 12. Auto Program |
| 6. Massage Technique | 13. Zero Gravity |
| a. Top to Bottom | 14. Vibration Intensity |
| b. Kneading | 15. Air Pressure Intensity |
| c. Knocking | 16. Foot Roller Width |
| d. Tapping | 17. Special Program |
| e. Shiatsu | 18. Timer |
| f. Massage | 19. Auto Rest Position |
| 7. Shoulder Massage | |



1. **AUTO PROGRAM** lets you choose between eight (8) preset massage programs.
2. **PAUSE** pauses all functions.
3. **TIME (+ / -)** increases or decreases the massage time by five (5) minutes with each press, to a maximum of 30 minutes.
4. **POWER** turns the massage chair on/off.
5. **POSTURE ADJUST** adjusts the angle at which you're laying.
6. **RECLINE ADJUST** adjusts the angle at which you're reclining.
7. **FOOTREST ADJUST** adjusts the angle of the footrest.
8. **FIXED SPOT MASSAGE ADJUST** adjusts where the fixed spot massage focuses on.
9. **AIR PRESSURE MASSAGE ADJUST** adjusts where the air pressure massage focuses on.
10. **FIXED SPOT MASSAGE** turns the fixed spot massage option on/off.
11. **MASSAGE MANIPULATION** changes the massage type by pressing the button multiple times.
12. **FOOT ROLLER** turns the foot roller system on/off.
13. **HEAT** turns the heating system on/off.
14. **FOOT ROLLER ADJUST** adjusts the foot roller position while scanning the body or in manual mode.
15. **MOVEMENT INTENSITY ADJUST** adjusts the intensity of the massage movements.
16. **FOOT ROLLER WIDTH ADJUST** adjusts the foot roller width.
17. **AIR PRESSURE MASSAGE** turns the air pressure massage option on/off.
18. **CALF KNEADING** turns the calf kneading massage option on/off.
19. **ROCKING** turns the rocking system on/off.
20. **CHEST EXPANSION** turns the chest expansion system on/off.

After Use

- 1. After the massage is done, press the power button on the remote.**
 - a. The chair will automatically adjust the backrest and footrest to the original position.
 - b. Verify that there is nothing blocking the backrest or footrest.
- 2. Switch the power button to "0".**
 - a. Unplug the power cord. Do not twist/pull the power cord, as that can cause damage.
 - b. Cover it with a cloth/blanket if it's not going to be used for a while.

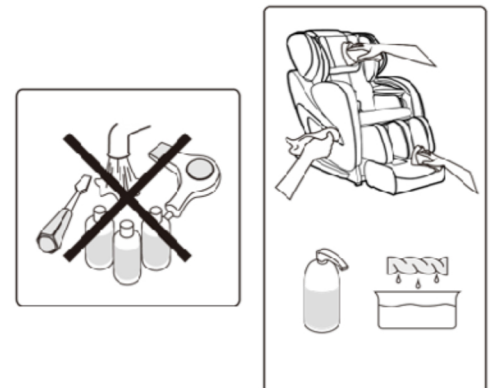


Specifications

Model No.	HM5500
Rated Voltage	100-120V
Rated Frequency	50 / 60Hz
Power Supply	200W
Standby Power	1.5W
Material	PU (Synthetic) Leather
Net Weight	198 lbs
Gross Weight	220 lbs
Upright Dimensions	58" x 35" x 47.2"
Reclined Dimensions	76.8" x 35" x 30"
Max User Weight	330 lbs

Care & Maintenance

- **ALWAYS UNPLUG THE POWER CORD BEFORE CLEANING.**
- Use a dry cloth for everyday cleaning.
- Use neutral detergent for heavy-duty cleaning.
- Brush/scrub the chair lightly, as to not cause damage/scratches.
- Let the chair dry naturally.
- **DO NOT** use water.
- **DO NOT** use a heat dryer.
- **DO NOT** use alcohol.
- **DO NOT** disassemble or refit the chair.



Troubleshooting

Sound during operation	If the sound has no effect on the normal movement / function of the chair, it is not considered a malfunction.
The left & right positions of the massage chair are different.	This is normal for the necessary operation.
The massage stops suddenly & the rollers return to their original positions.	The massage chair resets itself after the automatic program has finished.
The rollers stop during the massage.	This could be due to too much weight on the chair or leaning too hard against the backrest. Turn the chair off for 10 seconds, then power it back on.
The chair does not work at all.	Check that the plug is inserted completely and that the power is on. Push the POWER button on the remote and turn on either AUTOMATIC or MANUAL mode to check operation.
Shiatsu function does not work.	Adjust the pose & press corresponding buttons.
Backrest or footrest does not reset.	Check the surroundings before operation. If it is still not resetting, discontinue use and contact the manufacturer.
There is damage to the chair.	Check the surroundings before operation. If it is still not resetting, discontinue use and contact the manufacturer.

For further assistance, contact customer service.

Warranty Information

FIVE (5) YEAR - Limited Warranty

The manufacturer warrants that this machine, when subject to normal and proper use, will be free from manufacturing defects for a period of five (5) years from the date of purchase. Should any defect occur during the specified time period, the manufacturer will repair the defective product, or provide replacement parts and components material, at its own option. The manufacturer also reserves the right to issue a full refund of the purchase price in lieu of repair or replacement. This warranty is not transferable. This warranty replaces all other oral or written warranties, liabilities or obligations of the manufacturer. Pertinent state law shall control for what period of time following the purchase a consumer may seek a remedy under the implied warranty of merchantability or fitness for a particular purpose. In no event shall the manufacturer be liable for consequential or incidental damages of any kind resulting from the breach of this warranty. Some states do not allow limitations on - or the exclusion of - incidental or consequential damages, so the above exclusions may not apply to you. This warranty gives you specific legal rights, and you may also have other rights which vary from state to state.

HELIOS

Helios is a registered brand of M&E Sales, LLP

www.heliosmassageusa.com | 952.884.0326 | heliosmassageusa@gmail.com

MADE IN CHINA