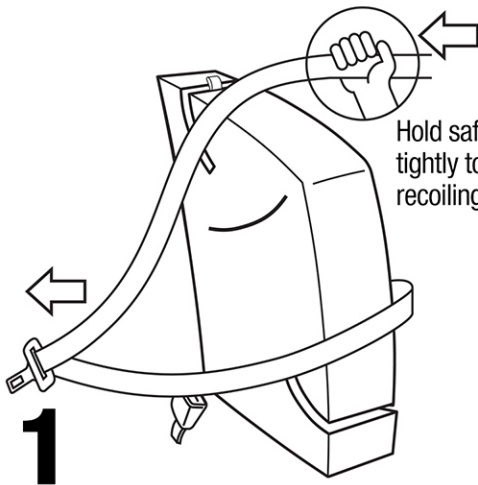


# Installing **backseat wally**<sup>TM</sup>

No tools or special parts are required for installation.  
Just strap it in using the rear center safety belt.

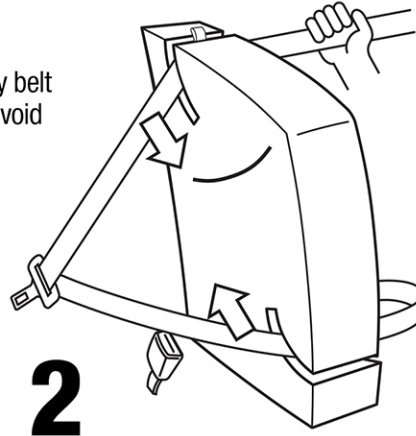
*Note: Your seat belt configuration might vary from the diagrams below.*



**1**

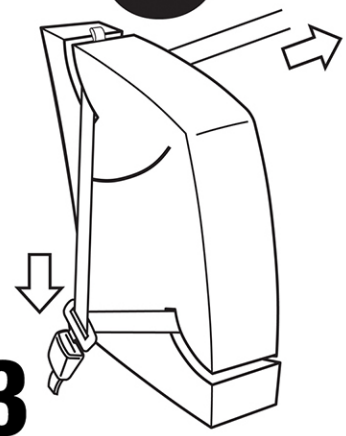
Position Backseat Wally in the middle of the rear center seat. Extend the safety belt to its full length. Grasp the upper portion of the belt and hold it tightly to keep it from recoiling.

Hold safety belt tightly to avoid recoiling.



**2**

While holding the safety belt to prevent recoiling, slide the upper and lower parts of the belt into their corresponding slits in Backseat Wally.



**3**

Buckle the safety belt and then tighten it as much as possible, removing any slack. The rubberized fabric will grip the belt and the seat for a snug, secure fit.

---

## Warranty

### 30-DAY MONEY-BACK GUARANTEE

We want you to be fully satisfied with every item you purchase from Wallyhoo. If you're not satisfied with the performance of this product, please contact Customer Service ([customerservice@backseatwally.com](mailto:customerservice@backseatwally.com)) for a Return Merchandise Authorization (RMA) number. You may return the item within 30 days of delivery for a full refund of the purchase price, minus shipping, handling, or other additional charges. The item must be returned in excellent condition, in original packaging, and with all paperwork, parts, and accessories to ensure full credit.

### 90-DAY LIMITED WARRANTY

This product is warranted against physical defects in materials or workmanship as a result of normal and intended use for 90 days from the date of original purchase. The exclusive remedy for this warranty is that Wallyhoo will, upon return of the product to Wallyhoo and determination of any such defect, at its sole option, replace, repair, or provide replacement components for this product free of charge.

Wallyhoo reserves the right to discontinue or change fabrics, parts, models, or products, or to make substitutions. To make a claim under this limited warranty, contact Customer Service for a Return Merchandise Authorization (RMA) number. Proof of purchase is required.

### What Our Limited Warranty Does Not Cover

We offer this warranty only when the product is used by the original end-user customer. We offer no other warranty. Additionally, while our warranty is excellent, there are other limits to it. We offer NO WARRANTY in cases of damage in transit, inadequate care, abuse, abnormal use, misuse, accidents, normal wear and tear, damage due to environmental or natural elements, failure to follow product instructions, or improper storage of the product.

This product is not intended for use by children, or as a toy.

### Disclaimer of Other Warranties

THE EXPRESS WARRANTIES IN THE PRECEDING SECTION ARE EXCLUSIVE AND IN LIEU OF ALL OTHER WARRANTIES. However, to the extent applicable law does not permit disclaimers of certain implied warranties, such warranties are limited to the warranty period identified above. Some states and countries do not allow limitations on how long an implied warranty lasts, so the above limitations may not apply to you.

### Limitation on Damages

IN NO EVENT SHALL WALLYHOO BE LIABLE FOR INCIDENTAL, COMPENSATORY, PUNITIVE, CONSEQUENTIAL, INDIRECT, SPECIAL OR OTHER DAMAGES. OUR AGGREGATE LIABILITY WITH RESPECT TO DEFECTIVE PRODUCTS IS LIMITED TO THE MONIES PAID TO US FOR THE DEFECTIVE GOOD.

Some states and countries do not allow the exclusion or limitation of incidental, consequential or other damages, so the above limitation or exclusion may not apply to you.

State variations: This warranty gives you specific legal rights, and you may also have other rights which vary based on state, province or country.

---

## Limited Liability Statement

Backseat Wally cannot protect the user from all foreseeable or unforeseeable traffic accidents. By using this product the user accepts the risks involved with operating a motor vehicle, and understands that no device can guarantee that any injury will be prevented. Driving can be dangerous in the best of circumstances. Always drive with caution, obey all traffic signals and regulations, and make sure that all vehicle occupants are wearing safety restraints. Backseat Wally cannot prevent all driver distractions. Although Backseat Wally is designed to help reduce driver distraction, there is no guarantee that accidents will be prevented by the use of this or any other equipment. This product must be installed securely in the rear center seat of your vehicle according to the included instructions.

Wallyhoo, Inc., its subsidiaries, suppliers, employees, owners, officers, agents, or resellers shall not be held liable or responsible for injury, death or other damages (including loss of business, profits or punitive damages), to buyer/user and/or his/her heirs, or assigns, which may occur as a result of the use of Backseat Wally, the negligence of any party, whether passive or active, or of any alleged product defect of Backseat Wally. Seller shall have no liability whatsoever to buyer if the damage or injury claimed by buyer has been the result of misuse, alteration, accident or abnormal conditions of operation or handling, as determined solely by seller or its authorized sales outlet.