



ReCoila

HOSE AND CORD REELS

General Operation and Service Manual for ReCoila C Series



Engineered Confidence

Affix ID label here

www.recoila.com.au
www.recoila.co.nz

Revision date: June 2012



Overview

The following operation, service and repair manual has been designed to give the operator/user a full understanding of the operational aspects of the hose and cable reels as well as being a supplement to our factory service and maintenance training course.

The basic principle of each reel is the same and the repair or service is carried out in the same manner from one model to the next, however certain models require higher levels of technical knowledge. These reels are listed separately and so are their respective parts breakdown.

Models covered by this manual - C Series

This manual covers the C Series hose reels. Variations of each model may not be specifically listed such as stainless steel versions or a fully optioned reel, however, the procedures remain virtually the same throughout the range for making repairs and service work as well as installation.

If you feel that the information does not reflect your specific hose reel please contact our customer service department for clarification.

- C Series Hand Crank hose reels - 'C' models, 'CH' models
- C Series with 12VDC motor - 'E' models, 'EH' models
- C Series with 24VDC motor - 'EA' models 'EAH' models
- C Series with Pneumatic motor - 'A' models, 'AH' models
- C Series with Hydraulic motor - 'H' models, 'HH' models

ReCoila® reserves the right to make changes to design and construction in line with ongoing product development without notification.

Table of Contents

About us	5
Quality and Certification	
Declaration of Conformity	6
Listing of Precaution Symbols	7
ReCoila®'s Quality Statement	8
Terms and Conditions of Warranty	9
Procedure for Making Warranty Claims	10
Procedure for Returning Goods for Repair	11
Installation instructions	
Pre-Inspection	12
Mounting the Reel	12
Connection of the Inlet and Main Hose	13
Wiring Diagrams - Electrically Driven Reels	14
Plumbing Diagram - Air Drive Reels	15
Plumbing Diagram - Hydraulic Drive Reels	16
Installing the Main Hose	17
General Operation	17
Maintenance	
Lubrication	18
Fastener and Fixing Checks	18
Checking for Leaks	19
Checking for Hose Defects	19
Repair procedures	
Replacing Swivels	20
Replacing the Drive System	21
Adjusting and or Replacing the Friction Brake	22
Replacing or Servicing the Pin Lock	23
Replacing or Servicing the Ring Gear / Pin Lock Ring	23
Technical Drawings	
C Series motor driven - exploded views	24
C Series Assembly exploded view (pin lock)	26
C Series Assembly exploded view (friction brake)	27
C Series Assembly exploded view (vertical roller guide)	28
C Series Assembly exploded view (horizontal roller guide)	29
Full Exploded view and parts lists	30
C Series dimensions	32

About Us

ReCoila® is a wholly Australian owned company with a manufacturing facility in the industrial precinct of Kings Park situated in the western region of Sydney.

ReCoila® has been manufacturing quality hose reels for some 30 years, servicing both domestic and international markets.

Our range of reels includes composite spring rewind hose and cable reels, fabricated steel reels in powder coated finish, stainless steel and aluminium with hand crank, and motorised versions.

ReCoila® as a manufacturer, offers an extensive range of Australian made hose, cord and cable reels, this range is supplemented with selected products from renowned quality manufacturers in the USA and Europe to bring you the most comprehensive range of hose, cord and cables reels.

Our stringent in-house testing ensures all products meet the quality that you expect from ReCoila®, whether it be an Australian made reel or manufactured elsewhere and distributed by us. Our aim has always been to design and manufacture the best reels available at a cost effective price.

We continue to lead the way in design, innovative ideas, functionality and reliability of our products and utilise state of the art manufacturing methods, setting the standards for others to follow.

ReCoila® is committed to continued quality and engineering excellence balanced with price competitiveness to supply users with the best reels available.

Hence we proudly say

“Engineered Confidence”

CE Declaration of Conformity

We,

Strata Group (Aust) Pty Ltd

Unit 1/10 Melissa Place

Kings Park NSW 2148

Australia

Phone: (61) 2 9621 8988

Fax: (61) 2 9621 7688

Declare under our sole responsibility that the product ReCoila[®] Spring rewind hose cord and cable reels, to which this declaration relates, is in conformity with the following documents.

Strata design specifications and acceptance criteria following the provision of 98/37EC (Machinery Directive).

The technical construction file is maintained at the following addresses:

1.

Strata Group (Aust) Pty Ltd

Unit 1/10 Melissa Place

Kings Park

NSW 2148

Australia

Phone: (61) 2 9621 8988

Fax: (61) 2 9621 7688

2.

Reelcare

Unit L Tyson Courtyard

Weldon South Industrial Estate

Corby Northamptonshire NN18 8AZ

United Kingdom

Phone: (44) 1536 407001

Fax: (44) 1536 261491

Listing of Precautions Symbols



Means Warning! Watch out! There are possible hazards with this procedure! Possible hazards are shown by this warning symbol.



Means Warning! Moving parts. Keep away from moving parts and pinch points.



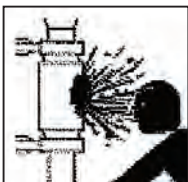
Means Warning! Item under tension. This area contains a tensioned spring or a pre loaded component.



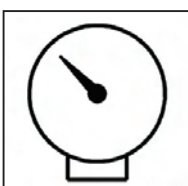
Means Warning! Never let the hose or cable rewind uncontrolled. You must be mindful of your surroundings and those within it. Uncontrolled rewinds are extremely dangerous.



Means qualified trades person or those that are authorised and trained with a full working knowledge of the service or repair task being carried out, possible hazards. Means electrical connections are present be careful, ensure the item is isolated before service.



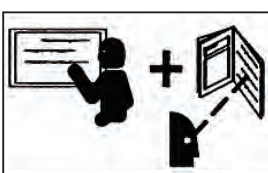
Means, this area and or item is pressurized. Show extreme caution, even low pressure systems can be extremely dangerous.



Means do not exceed designed maximum working pressure.



Means check to ensure you are wearing and have on hand, all appropriate personal safety items as well as those that may be in or entering the work zone.



Means, consult the service centre or become trained and read the service manual. Additional training may be required to ensure you are familiar with your local authorities' rules and regulations on compressed gases and liquids, correct and safe hose management.

Strata Group (Aust) Pty Ltd's Quality Statement

All ReCoila[®] Self-Retracting hose and cable reels are built with quality in mind. Our in-house quality system requires us to check raw materials and sub-contracted components to ensure they meet the standard of engineering we require in order to offer the best possible product on the market.

During the four stages of manufacturing each sub-assembly is checked to ensure functionality and dimensional correctness. Specific components such as swivels and slip-rings are checked at the sub-assembly stage and during final assembly to ensure they pass low pressure and high pressure tests. Slip-rings are checked for electrical continuity and earth leakage.

A final assembly check is carried out before packing to ensure the reel retracts correctly and the locking system is functioning correctly.

Our in-house quality system is backed by our warranty should undetected or unforeseen failures occur.

Terms and Conditions of Warranty

The one year Limited Warranty Statement

Strata Group (Aust) Pty Ltd affirms its product confidence with the following warranty.

All products manufactured by Strata Group (Aust) Pty Ltd are warranted to be free of defects in material and workmanship for Twelve (12) months from the date of invoice.

Strata Group (Aust) Pty Ltd's liability shall be limited to repair or replacement of defective material within the warranty period when returned freight paid to its plant or service depot designated by Strata Group (Aust) Pty Ltd.

Our goods come with guarantees that cannot be excluded under the Australian Consumer Law. You are entitled to a replacement or refund for a major failure and compensation for any other reasonably foreseeable loss or damage. You are also entitled to have the goods repaired or replaced if the goods fail to be of acceptable quality and the failure does not amount to a major failure.

The warranty does not cover damage caused by accident, misuse, use in applications other than for which the reel was designed, abuse or faulty installation or normal wear and tear. Strata Group (Aust) Pty Ltd products must be installed and maintained in compliance with the manual of instructions furnished with each reel.

The Warranty does not include the following:

Hose - these are warranted by the respective hose manufacturers.

O-rings - are limited to three (3) months.

Procedure for Making Warranty Claims

Reels sold in Australia

Should you consider that the failure of the item is subject to warranty please follow the listed procedures.

R.G.A. (Returned Goods Authority)

You are required to obtain an R.G.A. This can be obtained by phoning the Strata Group (Aust) Pty Ltd sales desk. Providing sufficient information is given an R.G.A. will be issued. The number must be clearly marked on the item. Goods returned without an R.G.A. will not be accepted from the carrier and will be returned by the same.

Proof of date of sale/purchase

Proof of sale or of purchase is required and you need to send proof of date of sale or purchase with the item in question. Copies of invoices or sales dockets are considered sufficient proof.

Full and complete contact details

Your complete contact details must be included with the item in question.

Freight and method of return

The items are to be returned to the place of purchase, freight paid. Strata Group (Aust) Pty Ltd will pay for freight from the place of purchase to its nominated plant or service centre. No goods will be accepted at these nominated places, receiver to pay.

Providing that the item being returned is considered to be under warranty and our technicians confirm this on inspection, Strata Group (Aust) Pty Ltd will make the necessary repairs and return the item free of charge.

If the item is found to be faulty due to a non warrantable fault the item will be quoted for repair and freight will be charged both ways unless the customer has nominated their own freighter, then freight will be charged for the initial return to us.

Goods not found to be faulty under warranty, please refer to service and repair terms and conditions.

Countries outside of Australia refer to your nearest distributor or the place of purchase.

Procedure for Returning Items for Service or Repair

For reels sold within Australia

The following procedure covers items being returned for service or repair not covered by warranty.

R.G.A. (Returned Goods Authority)

You are required to obtain an R.G.A. This can be obtained by phoning Strata Group (Aust) Pty Ltd sales desk. Providing sufficient information is provided by you, an R.G.A. will be issued. The number must be clearly marked on the item. Goods returned without an R.G.A. will not be accepted from the carrier and will be returned by the same.

Customer order number

You are required to supply an official purchase order number for the repair which is to be returned with the item or faxed through to the service centre. For non account customers (such as an end-user) returning goods, you will be required to confirm some type of payment method such as credit card. Items returned without an accompanying purchase order or confirmed method of payment will not be quoted until such time that these details have been received.

Full and complete contact details

Your complete contact details must be included with the item in question.

Freight and method of returned

The items are to be shipped to a Strata Group (Aust) Pty Ltd nominated plant or service centre. No goods will be accepted at these nominated places with receiver to pay unless prior arrangement has been made to ship the item on Strata Group (Aust) Pty Ltd freight account whereby you will be invoiced freight cost at the going rate.

Quotation for the repair

The items returned will be quoted for the cost of the repair and a copy will be faxed through to the customer for approval. The customer has seven days to confirm the repair.

If confirmation is not received within seven days the item will be returned by the nominated freight company or on Strata Group (Aust) Pty Ltd freight and a minimum service quotation fee will be charged. This quotation fee is \$30.00 plus any freight costs.

Sale or disposal of unclaimed/non confirmed items

For items sent for warranty or repair that have not been collected or confirmed to be repaired or sent in without full customer details after a period of three months of receipt Strata Group (Aust) Pty Ltd reserves the right to dispose of, or sell any such items to recoup any costs, no claim against Strata Group (Aust) Pty Ltd will be recognised.

For reels purchased outside of Australia refer to your nearest distributor or the place of purchase.

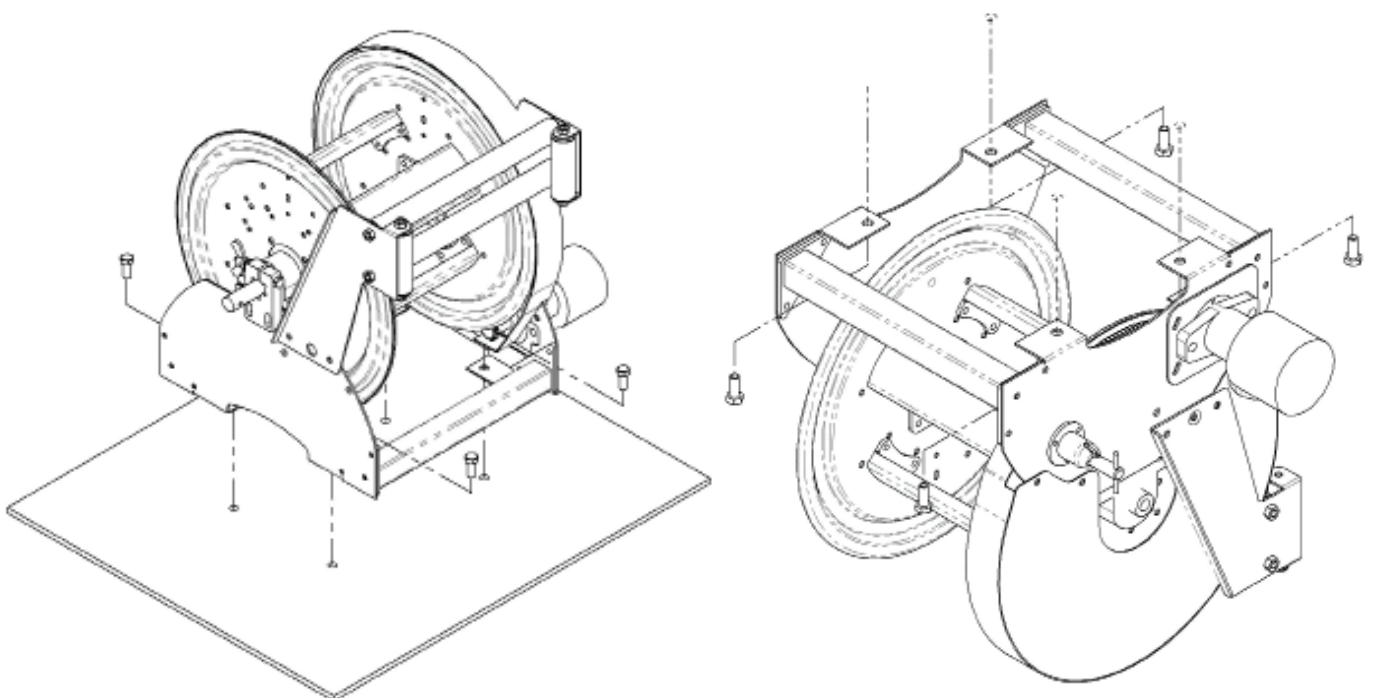
Pre-inspection

- Check the reel for shipping damages.
- Ensure all parts are supplied as ordered.
- Record the Model Number and Serial Number for future reference.
- Complete the warranty registration form contained within this manual and return to ReCoila® affirming your year warranty period.
- We recommend that you check and re-lubricate bearing and moving parts as described in the maintenance section to ensure smooth reliable operation.

Installation section

Mounting

- Ensure the mounting surface is flat and rigid to prevent twisting the frame and causing the reel to bind during operation.
- The reel is fastened down through the four bolt holes in the bottom plate, measure the pitch and drill your mounting frame accordingly.
- The minimum fastener requirement is M10 nuts, bolts and washers, however you should evaluate the working load and operation of your installation to ensure the correct size and strength fastener is being used.
- Tighten the reel down and check that the spool rotates evenly without binding.



Connection of the Inlet and Main Hose/s - Fig 1 & Fig 2

- A **flexible** connection between the reel and the source of supply (Fig 1) is required to prevent possible misalignment and binding. Non flexible connections will void the warranty. The pressure rating of the inlet hose must be equal to or greater than the rating of the reel.
- Always check with your local authorities for appropriate rules and regulations for safe use and handling of compressed gases, liquids and fuel gases.
- Using the appropriate approved hose and fittings, connect the supply line to the inlet connection of the reel.
- Ensure you use thread sealants where applicable and permitted.
- Never over-tighten or under-tighten fittings.
- Once connection has been made to the inlet of the reel ensure you make or fit a connection to the outlet of the reel (Fig 2) then turn the supply valve on slowly and check for leaks.
- It is recommended that the hose be **wound on fully charged**, this will help in preventing flattening of the hose during rewind, ensuring maximum flow rates and least spool damage.

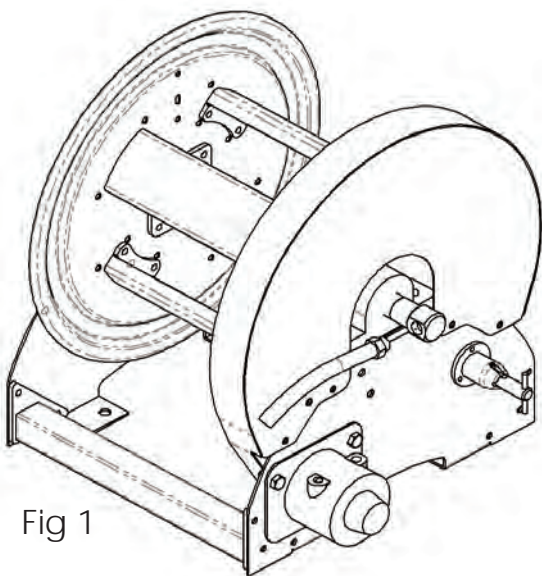


Fig 1

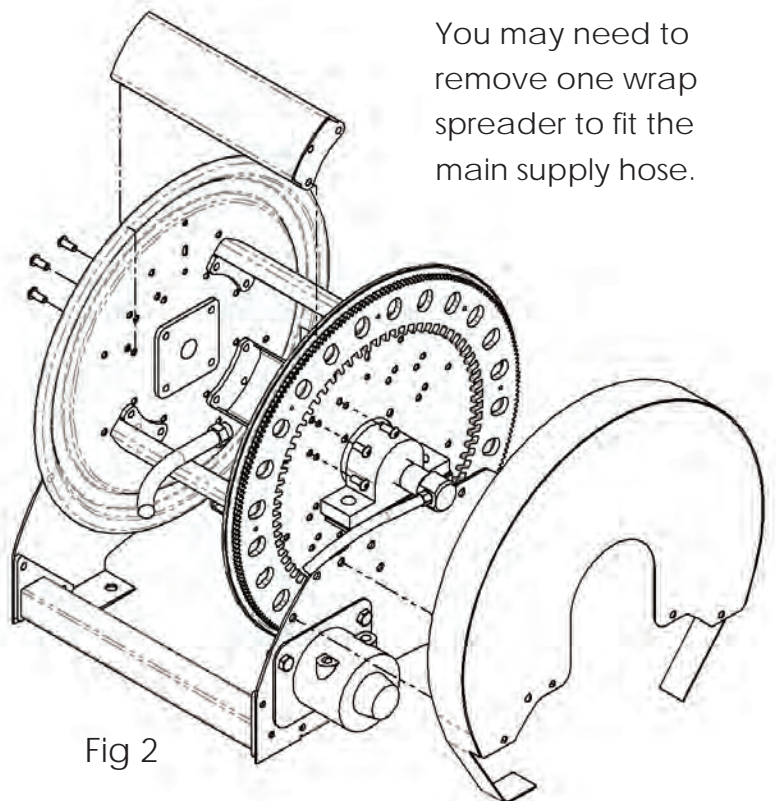
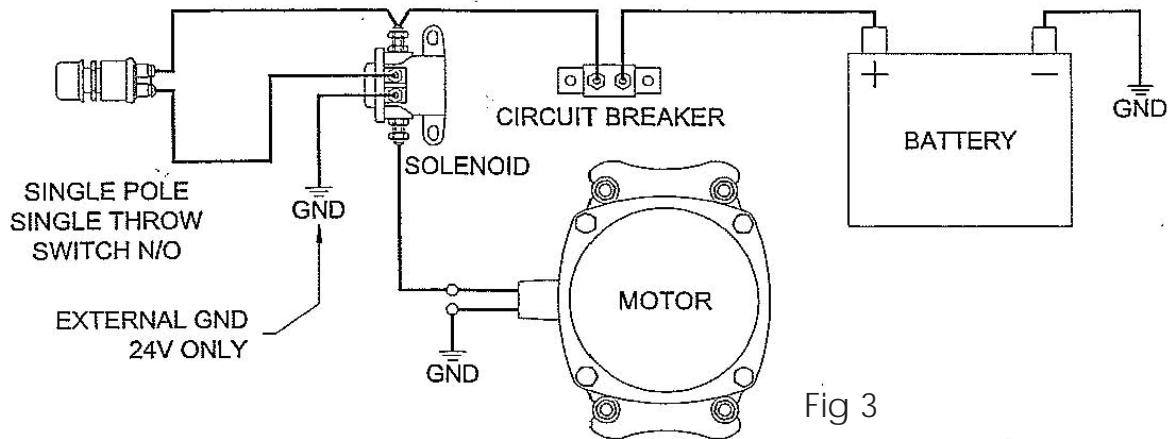


Fig 2

You may need to remove one wrap spreader to fit the main supply hose.

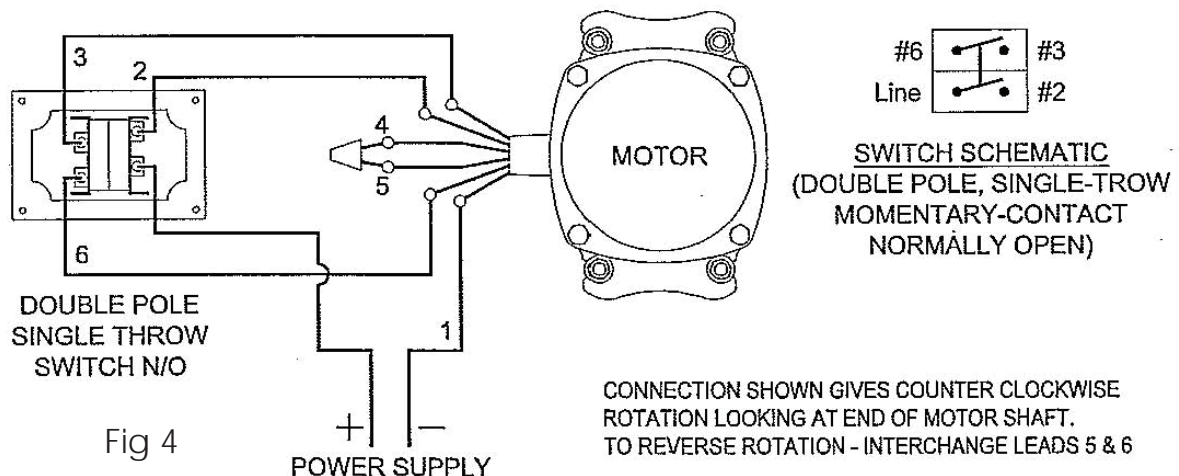
Wiring Diagram 12 & 24 VDC Electrically Driven Reels - Fig 3

- Ensure all wiring and connections between the motor and supply are compatible. Check with your local authorities to ensure you comply with local wiring specifications and procedures.
- Use the correct size circuit breaker or fuse to protect the motor and wiring systems.
- The diagram below allows for single direction powered rewind. It may be desirable to power drive the hose in and out, in that case your electrician can wire a reversing switch into the circuit.



Wiring Diagram 110/240 VAC Electrically Driven Reels - Fig 4

- Ensure all wiring and connections between the motor and supply are compatible. Check with your local authorities to ensure you comply with local wiring specifications and procedures.
- Use the correct size circuit breaker or fuse to protect the motor and wiring systems.
- The diagram below allows for single direction powered rewind. It may be desirable to power drive the hose in and out, in that case your electrician can wire a reversing switch into the circuit.
- Primary supply can be provided via a transformer see your local authorities for specifications.



Plumbing Diagram Air Drive Reels -

Fig 5, Fig 6 & Fig 7

- Ensure all supply lines are capable of supplying sufficient volume of air and pressure for correct operation and power of the drive system.
- Air drive systems require lubrication and we recommend the installation of an in-line lubricator.
- Fig 5 shows the connection ports for the air supply. One or both ports may be required pending how you require the system to operate.
- Fig 6 shows single direction rotation.
- Fig 7 shows plumbing for power wind in both directions.

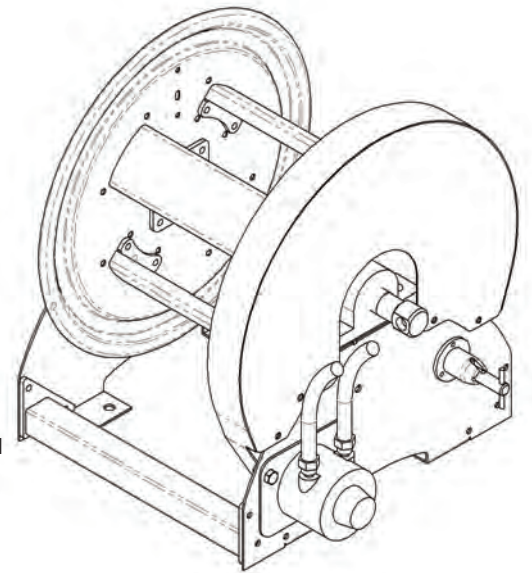


Fig 5

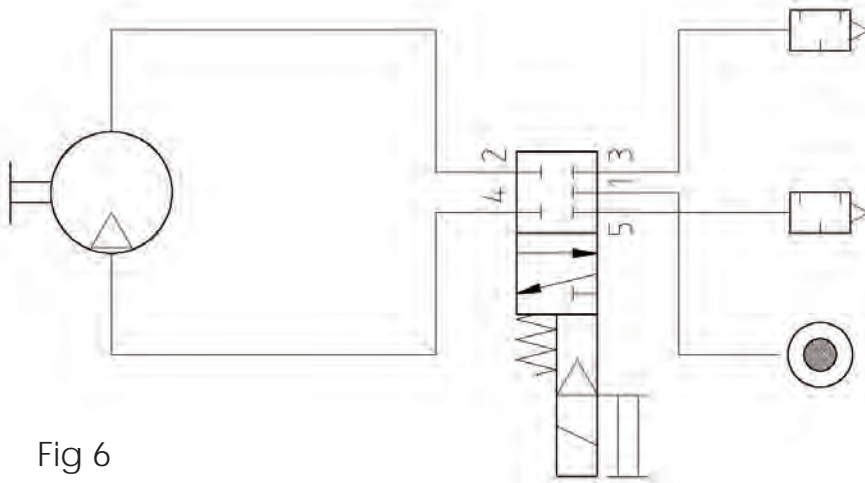


Fig 6

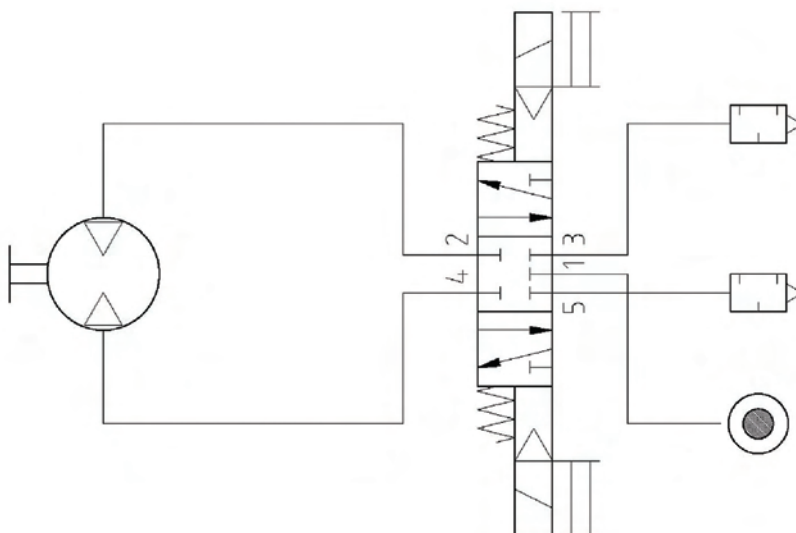


Fig 7

Plumbing Diagram Hydraulic Drive Reels - Fig 8, Fig 9, Fig 10 & Fig 11

- Ensure all supply lines are capable of supplying sufficient volume of oil and pressure for correct operation and power of the drive system.
- The schematics below have allowed for forward and reverse control with proportionate control and a free wheel operation.
- Fig 8 shows the connection ports for the oil supply.
- Option A - Typical connection to an existing variable displacement pump, pressure compensated pump system. Connection to a fixed displacement pump, when the pump unloading is done via other valves in the system.
- Option B - Connection to an existing variable displacement load, sensing pump system.
- Option C - Connection to a fixed displacement pump (when the motor is the only function in the system).

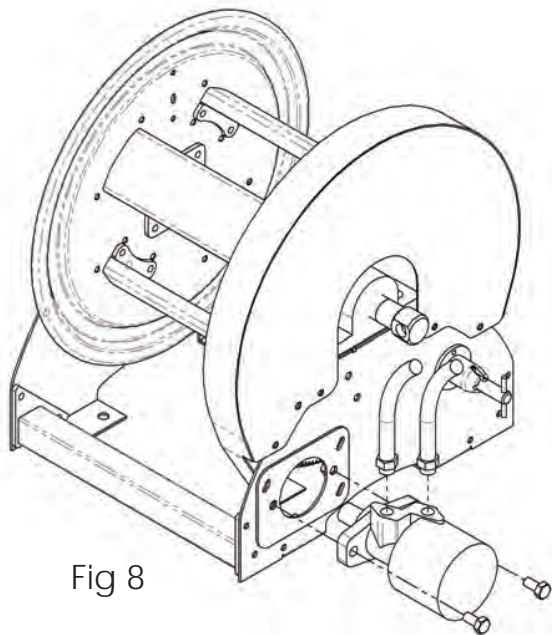
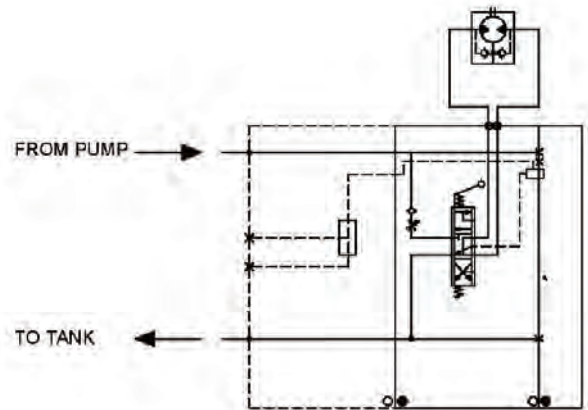
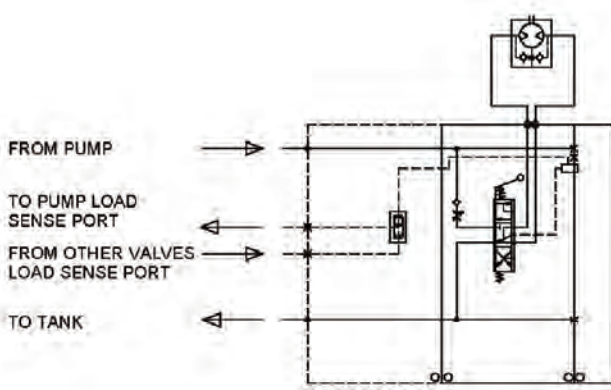


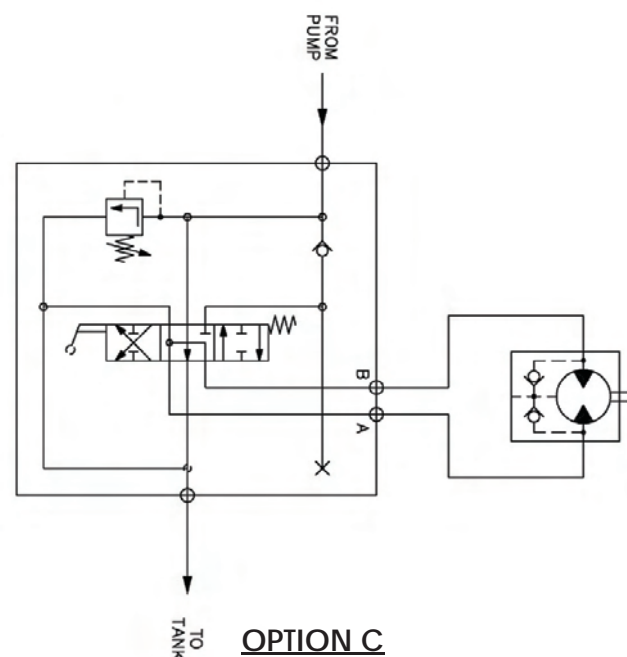
Fig 8



OPTION A



OPTION B



OPTION C

Installing the main hose

This procedure is designed to help you fit the main hose.

- Lay the hose out along the floor.
- Apply an appropriate thread sealant (check with your local authorities) to the hose fitting and fit the hose into the gooseneck. Fit your stop valve or nozzle to the other end of the hose.
- Ensure you have removed all kinks from the length of hose.
- Bring the reel up to pressure and vent the line if need be.
- Grab the flanges of the reel and wind the hose on.

General operation

Once your reel is bolted down, the supply and main hose is connected and purged and the rewind system activated, we recommend you take a few minutes to trial run the reel. Pull or power several meters of hose off the reel and rewind it. This will help you understand the functionality of the reel. Your company may wish to develop a procedure for operation and use, so others can be safely trained on the operation of this equipment.

Note: due to the changing liner retraction rates of a filling and emptying spool, the system may seem to rewind at different speeds over the length of the hose. When the spool is empty (all the hose is out), the rewind speed will seem slow and speed up as you wind more hose on. We try to engineer average rewind speed to be approximately 800mm per second, however this will be dependent of the size of the reel you may have chosen for you application.

Maintenance section

The pictures shown are for pictorial explanation and may not necessarily be identical to the model or unit you are installing or servicing.

The following section is designed to offer some technical advice on general maintenance and repair of your hose reel. The level of maintenance and the frequency will be dependant on the use, application and environment your hose reel is subjected to.

We recommend a service schedule procedure be prepared by your company so potential faults or failures can be realised before they become catastrophic, rendering the equipment out of action or cause injury.

For service requirements outside those listed, please contact ReCoila® or your nearest distributor.

Lubrication

As part of any standard maintenance procedure we recommend you periodically apply suitable lubricants to the main bearings, gear drive systems, or where there is metal to metal contact. Gear box oil levels also need periodic checks. Seals and O-rings will also need periodic checks and lubricant applied.

Fastener and fixing checks

We recommend you periodically check to ensure the fasteners and fixings are tight and not working loose.

Checking for leaks

Like all moving and rotating components there is a need to make regular maintenance checks. Some of these checks are very simple and only require a visual inspection, others require service work to be carried out on items, such as seals and O rings.

From time to time we recommend that the user check for leaks, liquid leaks are easily found, however gas leaks require some form of leak test, it may require the services of a professional test and certifying authority or a simple soapy water test. Soapy water brushed around each joint will soon indicate a leak when bubbles appear.

We recommend you prepare a maintenance schedule and procedure that checks for leaks.

Checking for hose defects

Regular checks should be made to ensure safe operation of the hose and fittings. These checks should be carried out by authorised personal trained in this service and should form part of your maintenance procedure schedule.

Replacing swivels - Fig 101

- Item 1 - your supply hose.
- Item 2 - swivel coupling.
- Item 3 - swivel shaft.
- You will need to depressurize the hose reel and safely drain the hose, check with your management regarding any hazardous issues with the products within the liquid, gas or vapor.
- Remove the swivel coupling.
- For servicing swivel couplings, instructions are provided with the seal kit.
- Check for leaks.

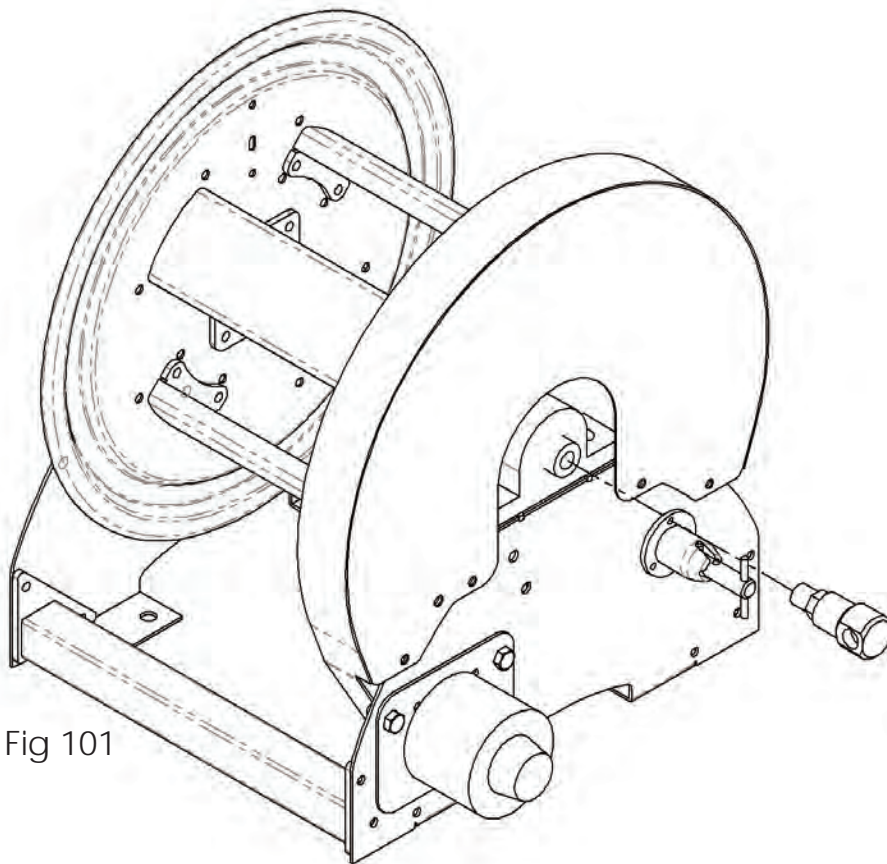


Fig 101

Replacing the drive system - Fig 102, Fig 103

- Ensure electrical reels are isolated, hydraulic and pneumatic supply systems are disconnected and depressurized before carrying out any drive system change.
- Disconnect the supply lines.
- Loosen fasteners and remove the drive system.
- Fig 102 & 103- 12 & 24 VDC, 110 VAC, 240 – 415 VAC, Gear drive hydraulic drive systems

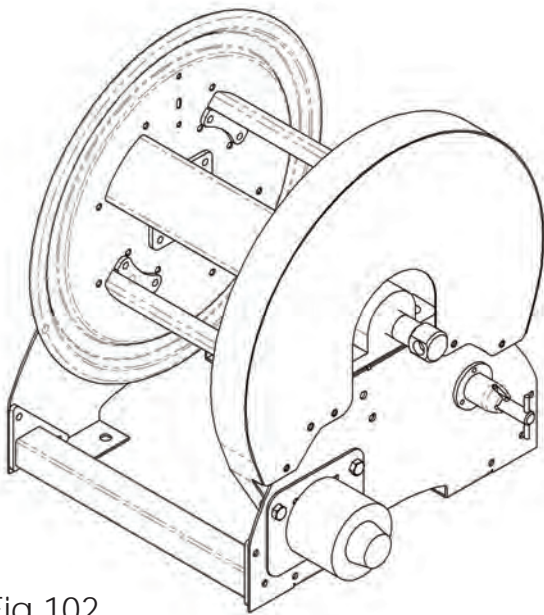


Fig 102

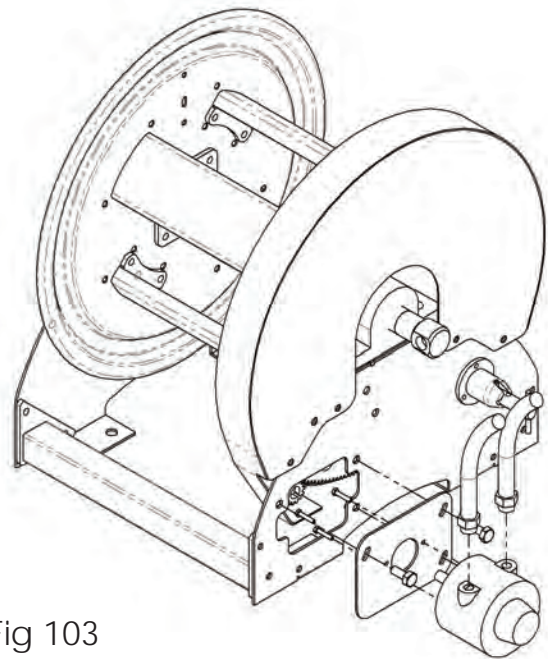


Fig 103

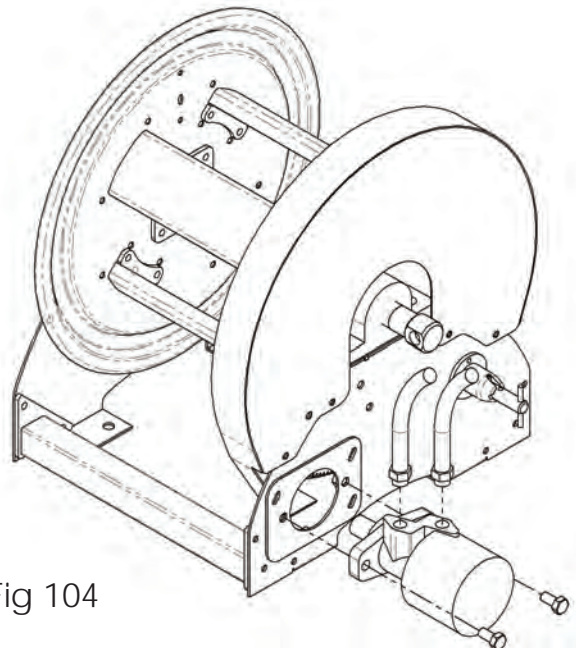


Fig 104

Adjusting and or replacing the friction brake - Fig 106

The friction brake has been designed to allow the operator to preset an amount of friction to reduce spool over-run.

- Isolate supply and drive systems before carrying out any service or maintenance
- To add or remove friction, adjust the wing nut on the friction brake.
- To remove the friction brake altogether, undo the two fasteners as shown below.

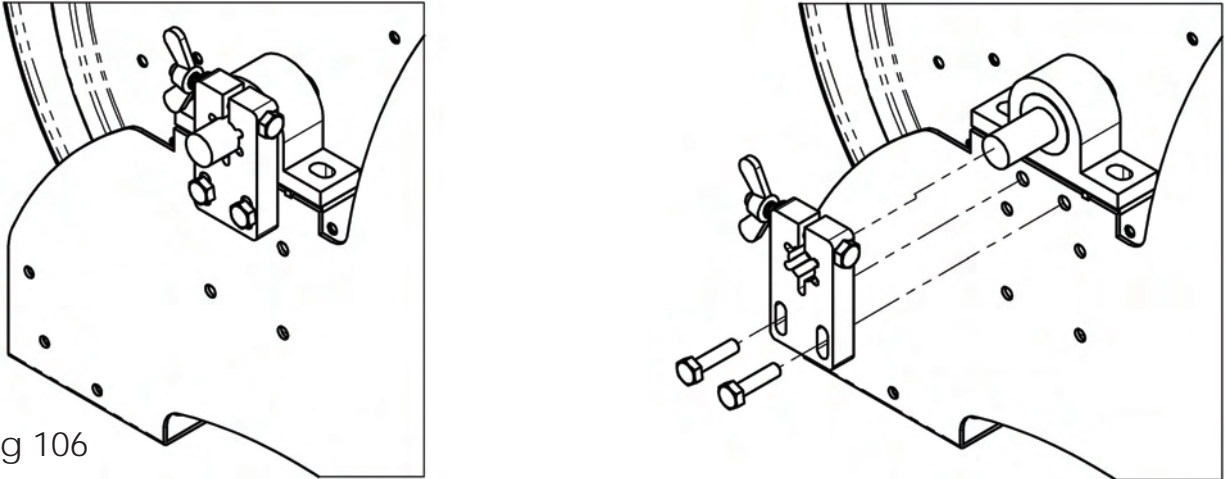


Fig 106

Replacing roller guides and roller guide bearings - Fig 107

It may be necessary to replace the ball bearing bearings in the roller guides as described below.

- Isolate supply and drive system before carrying out any service or maintenance work.
- Undo the dome nuts at either end of the roller.
- Slide the roller rod out of the roller.
- Remove the bearings and replace.
- Refit the roller and slide the roller rod back into the roller.
- Refit the dome nuts using a thread locker. Be careful not to leave the nuts too loose or too tight which will pinch the roller preventing it from rotating.

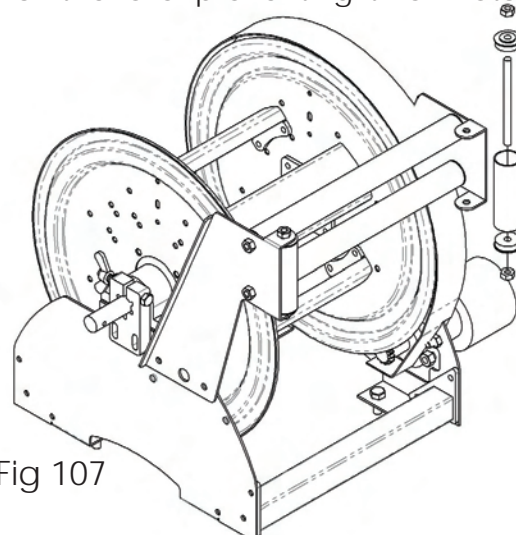


Fig 107

Replacing or servicing the pin lock - Fig 108

Replacing or servicing the pin lock, in both cases the pin lock has to be removed, follow the instructions below.

- Isolate supply and drive systems before carrying out any service or maintenance work.
- Undo the three bolts holding the pin lock in place.
- To replace the spring within the pin lock tap out the spring pin.
- Remove the spring and replace, some lubricant should be applied to the inside of the housing.
- Reset the spring pin and check operation.
- Refit and align the pin with the pin lock ring gear.

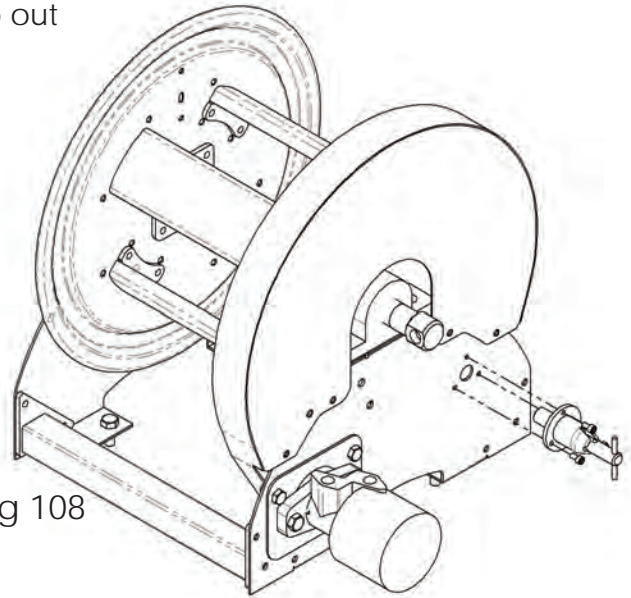


Fig 108

Replacing the ring gear/pin lock ring - Fig 109

Replacing the ring gear or pin lock ring equates to the same procedure. Care must be taken to check the alignment of the pin lock and the bevel gear if this option is fitted.

- Isolate supply and drive systems before carrying out any service or maintenance work.
- Remove the main hose from the reel.
- Remove drive system - see previous procedure.
- If pin lock fitted, pull pin to disengage and lock in the disengaged position.
- Undo and remove the spool bearing bolts.
- Remove the spool from the frame.
- Undo and remove the ring gear or pin lock ring.
- Refit the spool and fasteners.
- Check the alignment of the pin lock and bevel gear if fitted. If the spool does not rotate correctly realign the spool on the frame and re-tighten the bearing blocks.

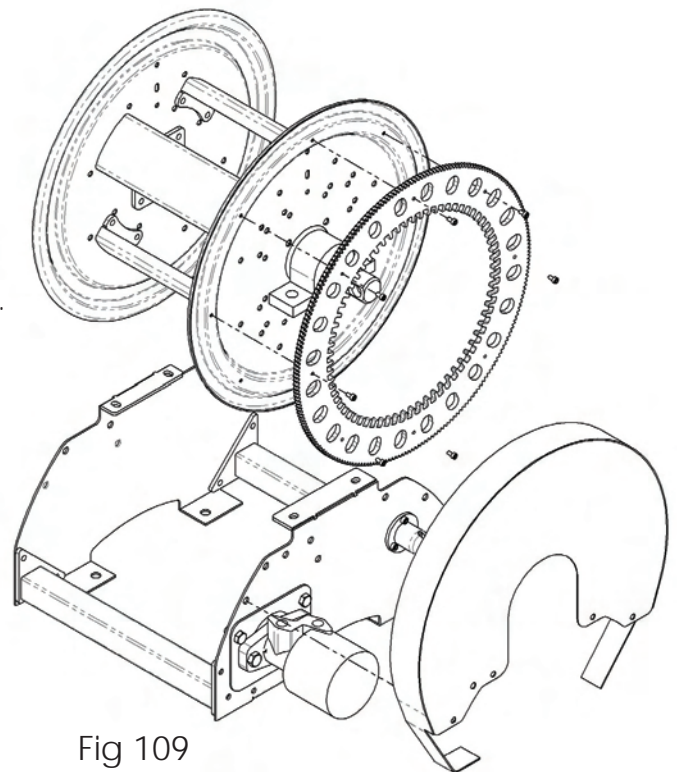


Fig 109

C Series Motor Exploded View - Fig 02

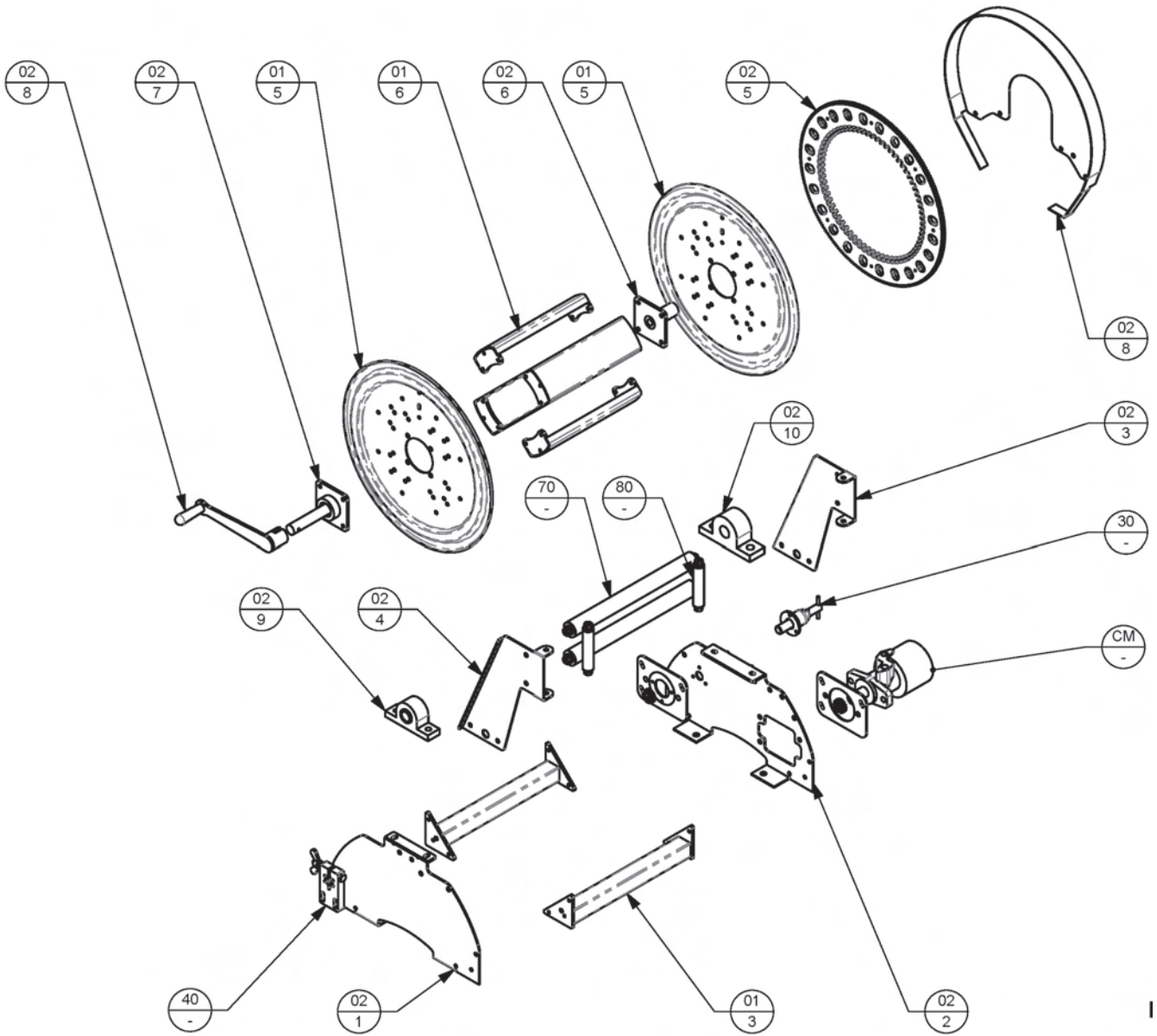


FIGURE 02

C Series Motor Exploded View - Fig CM

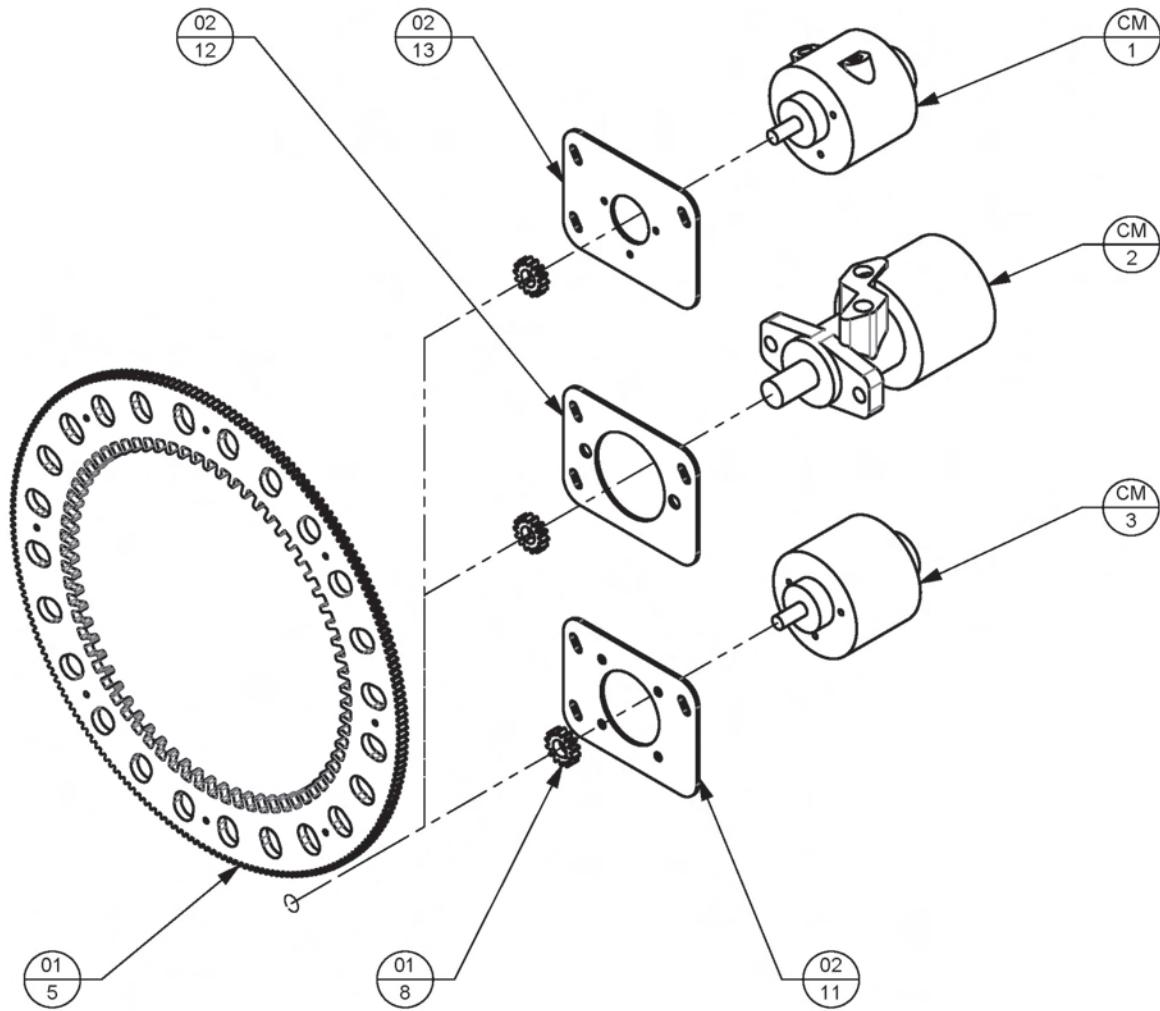


FIGURE CM

C Series Assembly Exploded View (Pin Lock) - Fig 30

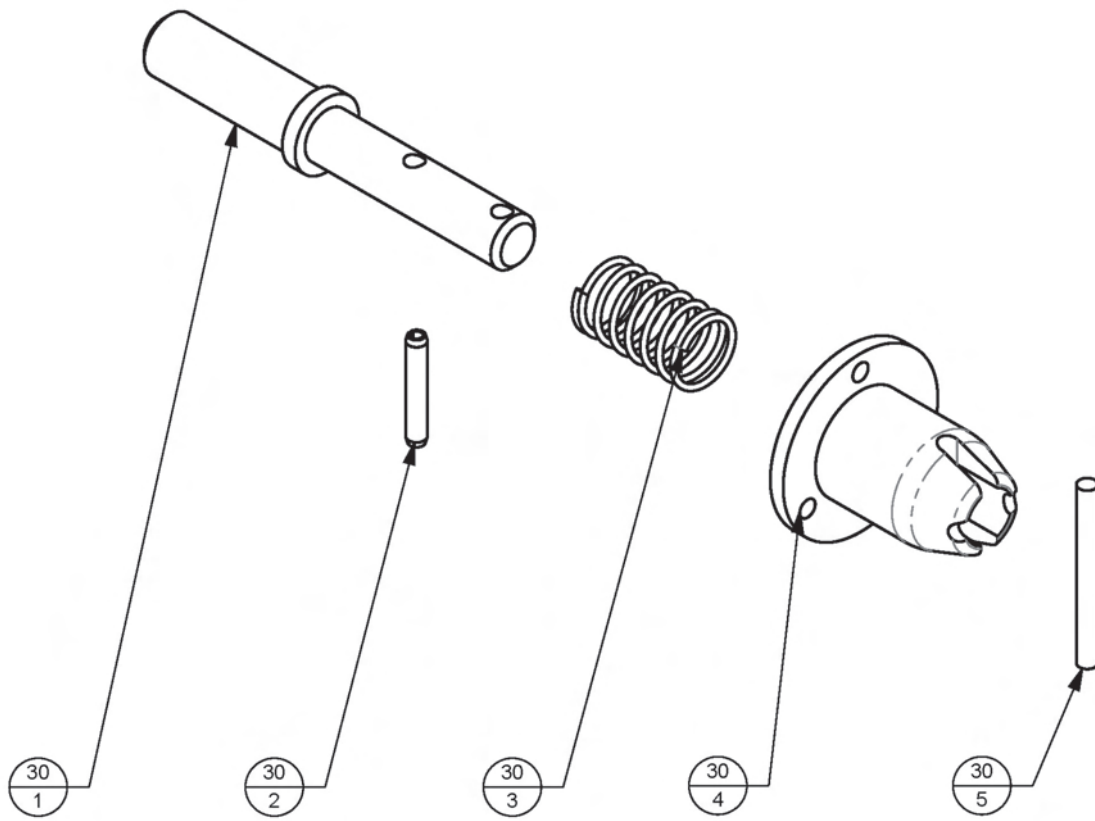


FIGURE 30

C Series Assembly Exploded View (Friction Brake) - Fig 40

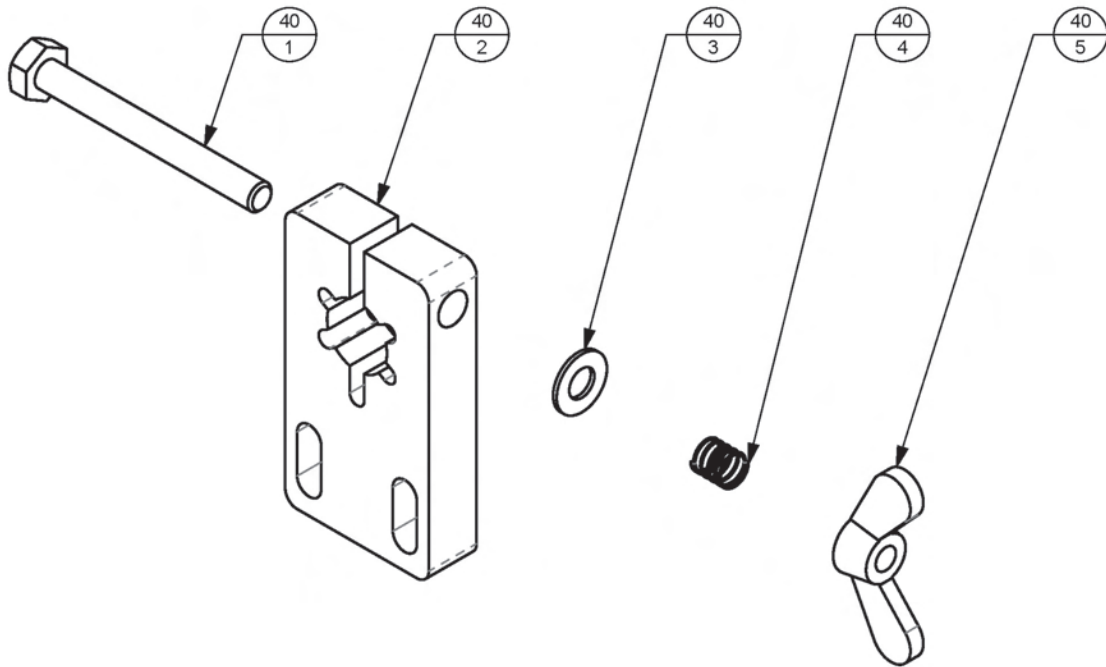


FIGURE 40

C Series Assembly Exploded View (Vertical Roller Guide) - Fig 60

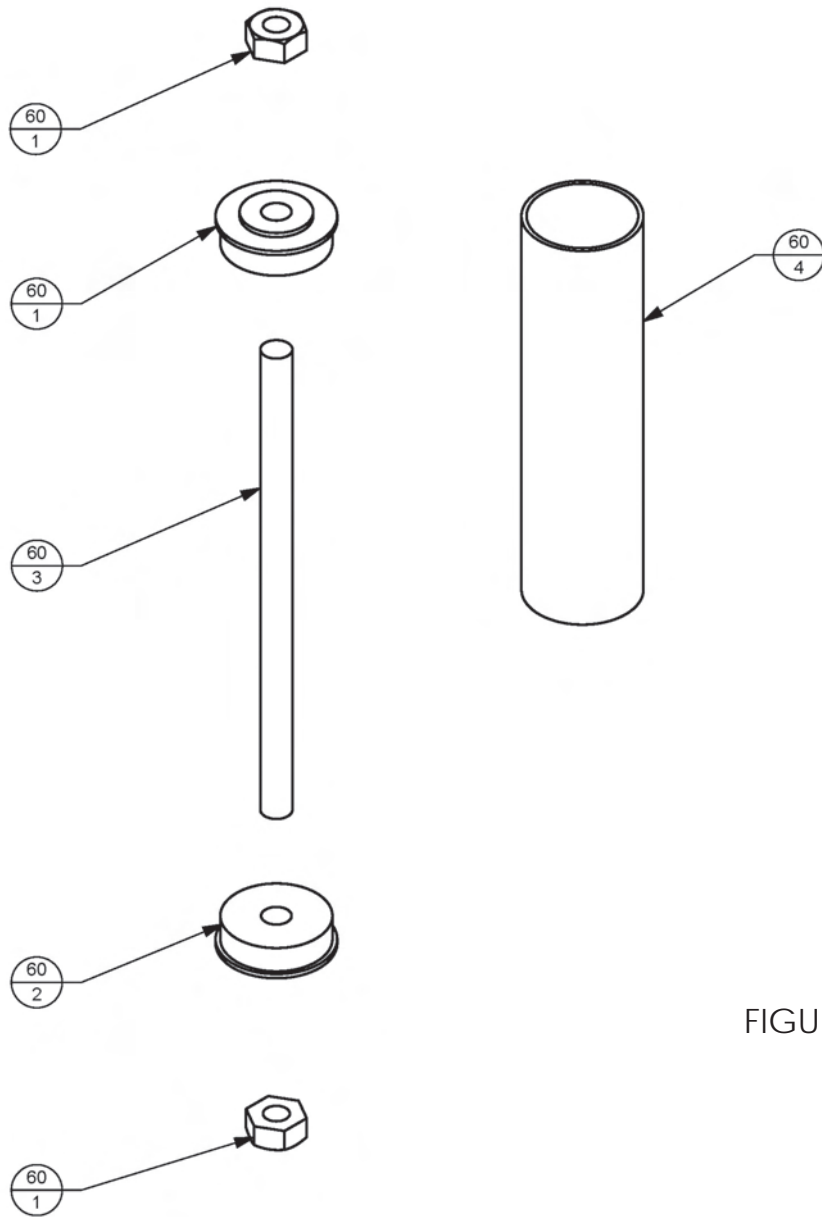


FIGURE 60

C Series Assembly Exploded View (Horizontal Roller Guide) - Fig 70

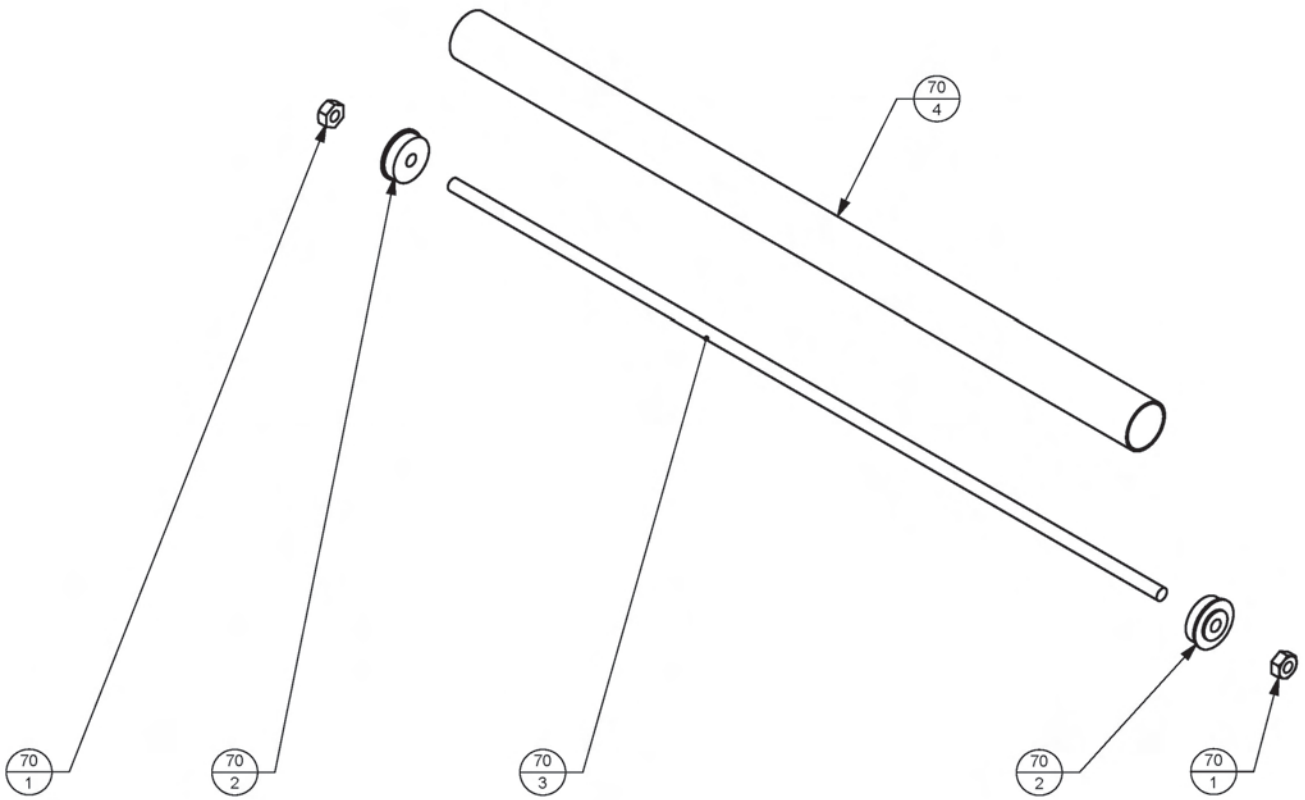
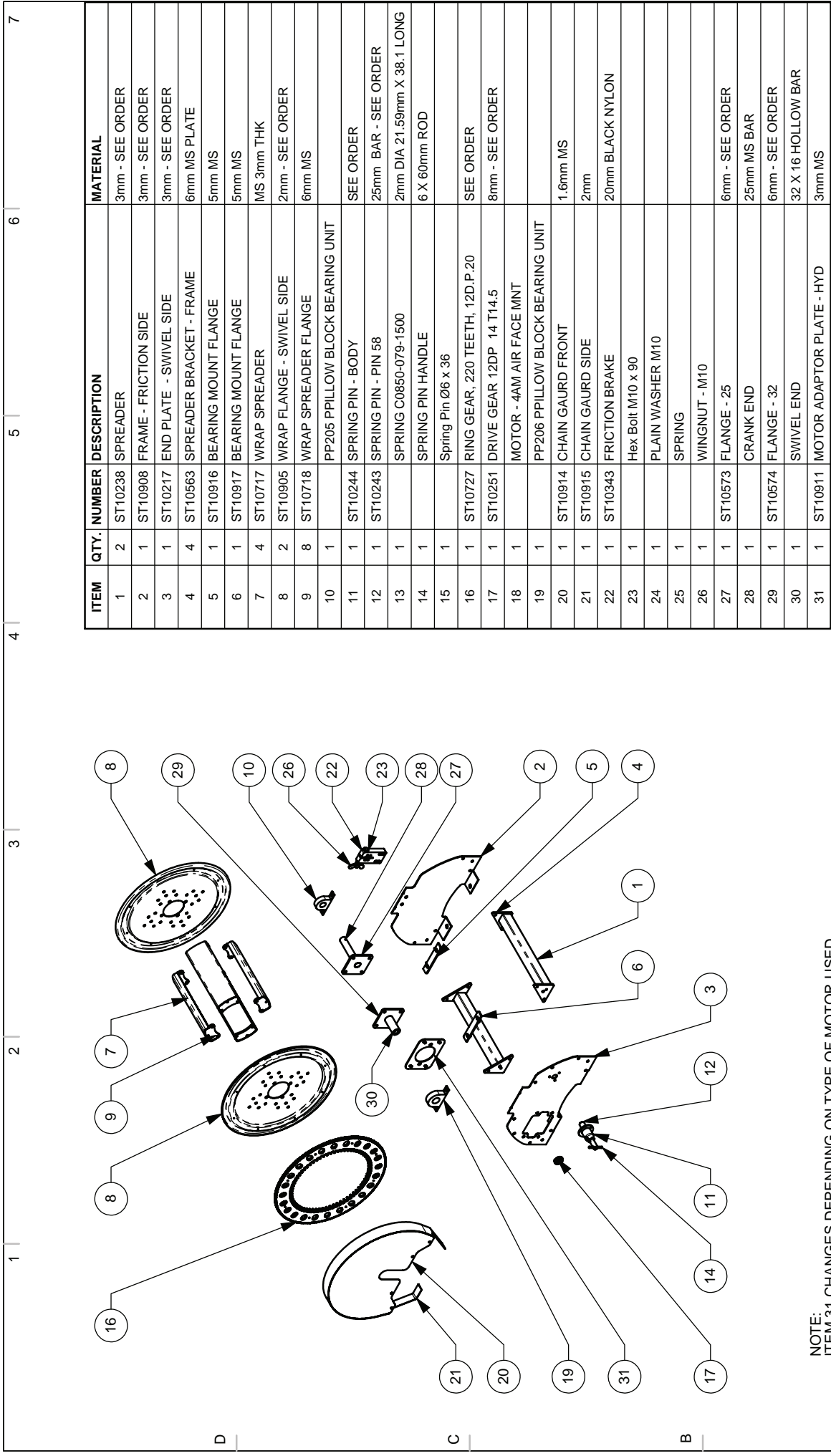


FIGURE 70



NOTE:
ITEM 31 CHANGES DEPENDING ON TYPE OF MOTOR USED.

ITEM	QTY.	NUMBER	DESCRIPTION	MATERIAL
1	2	ST10238	SPREADER	3mm - SEE ORDER
2	1	ST10908	FRAME - FRICTION SIDE	3mm - SEE ORDER
3	1	ST10217	END PLATE - SWIVEL SIDE	3mm - SEE ORDER
4	4	ST10563	SPREADER BRACKET - FRAME	6mm MS PLATE
5	1	ST10916	BEARING MOUNT FLANGE	5mm MS
6	1	ST10917	BEARING MOUNT FLANGE	5mm MS
7	4	ST10717	WRAP SPREADER	MS 3mm THK
8	2	ST10905	WRAP FLANGE - SWIVEL SIDE	2mm - SEE ORDER
9	8	ST10718	WRAP SPREADER FLANGE	6mm MS
10	1		PP205 PPILLOW BLOCK BEARING UNIT	
11	1	ST10244	SPRING PIN - BODY	SEE ORDER
12	1	ST10243	SPRING PIN - PIN 58	25mm BAR - SEE ORDER
13	1		SPRING C0850-079-1500	2mm DIA 21.59mm X 38.1 LONG
14	1		SPRING PIN HANDLE	6 X 60mm ROD
15	1		Spring Pin Ø6 x 36	
16	1	ST10727	RING GEAR, 220 TEETH, 12D.P.20	SEE ORDER
17	1	ST10251	DRIVE GEAR 12DP 14 T14.5	8mm - SEE ORDER
18	1		MOTOR - 4AM AIR FACE MNT	
19	1		PP206 PPILLOW BLOCK BEARING UNIT	
20	1	ST10914	CHAIN GAURD FRONT	1.6mm MS
21	1	ST10915	CHAIN GAURD SIDE	2mm
22	1	ST10343	FRICTION BRAKE	20mm BLACK NYLON
23	1		Hex Bolt M10 x 90	
24	1		PLAIN WASHER M10	
25	1		SPRING	
26	1		WINGNUT - M10	
27	1	ST10573	FLANGE - 25	6mm - SEE ORDER
28	1		CRANK END	25mm MS BAR
29	1	ST10574	FLANGE - 32	6mm - SEE ORDER
30	1		SWIVEL END	32 X 16 HOLLOW BAR
31	1	ST10911	MOTOR ADAPTOR PLATE - HYD	3mm MS

ReCoila
Unit 1/10 Melissa Place
Kings Park NSW 2148
Australia
WWW.RECOILA.COM

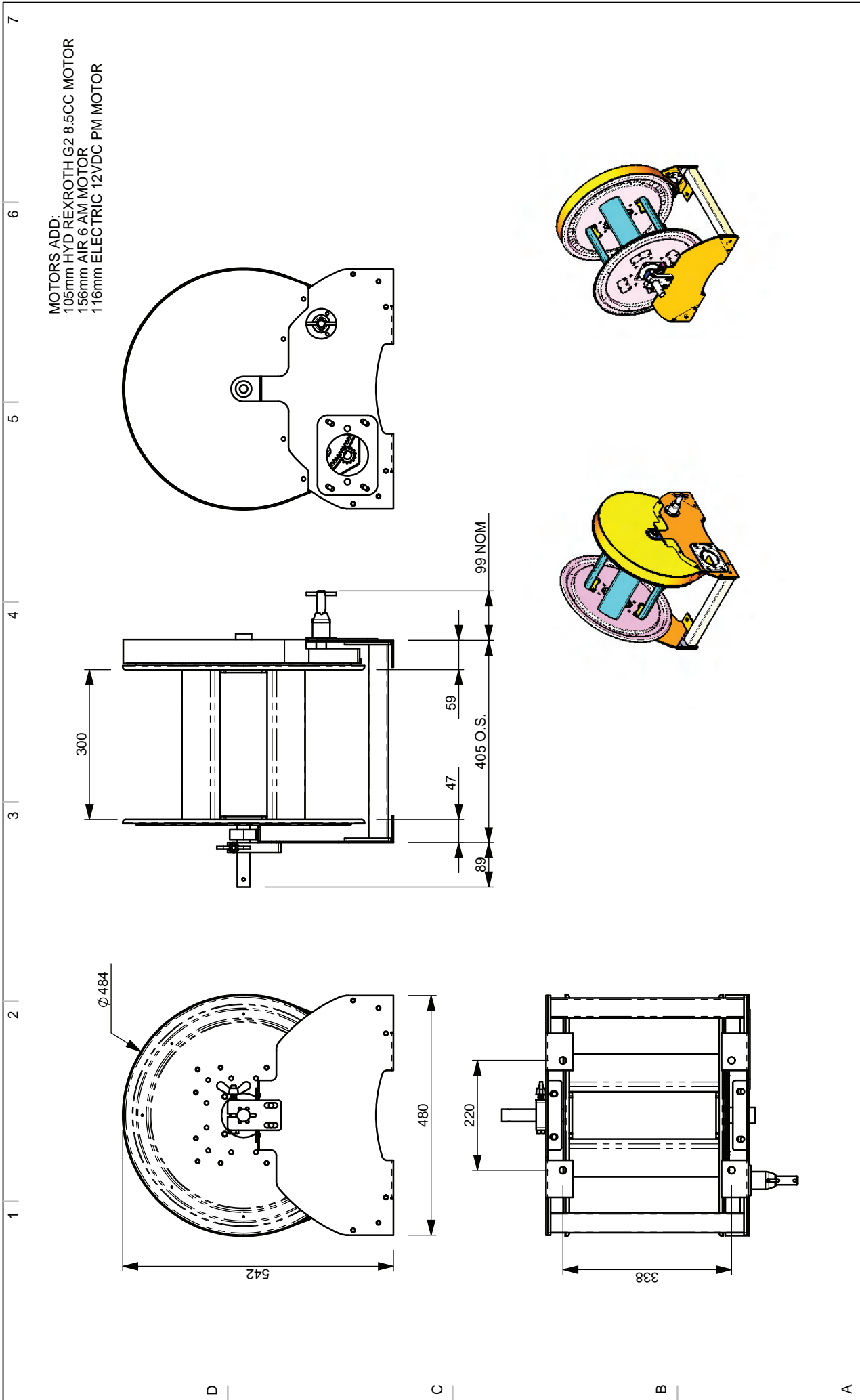
Ph: 61 2 9621 8988
Fx: 61 2 9621 7688
Em: sales@recoila.com

ISSUED FOR: REFERENCE
ITEM: **C SERIES - MKII**
PARTS LIST

DRAWING: ST10903- A . 1
DATE: 14/10/2009
APPROVED: SHEET 2 OF 2

C Series Parts List (as detailed on opposite page)

ITEM	QTY.	NUMBER	DESCRIPTION	MATERIAL
1	2	ST10238	SPREADER	3mm - SEE ORDER
2	1	ST10908	FRAME - FRICTION SIDE	3mm - SEE ORDER
3	1	ST10217	END PLATE - SWIVEL SIDE	3mm - SEE ORDER
4	4	ST10563	SPREADER BRACKET - FRAME	6mm MS PLATE
5	1	ST10916	BEARING MOUNT FLANGE	5mm MS
6	1	ST10917	BEARING MOUNT FLANGE	5mm MS
7	4	ST10717	WRAP SPREADER	MS 3mm THK
8	2	ST10905	WRAP FLANGE - SWIVEL SIDE	2mm - SEE ORDER
9	8	ST10718	WRAP SPREADER FLANGE	6mm MS
10	1		PP205 PPILLOW BLOCK BEARING UNIT	
11	1	ST10244	SPRING PIN - BODY	SEE ORDER
12	1	ST10243	SPRING PIN - PIN 58	25mm BAR - SEE ORDER
13	1		SPRING C0850-079-1500	2mm DIA 21.59mm X 38.1 LONG
14	1		SPRING PIN HANDLE	6 X 60mm ROD
15	1		Spring Pin Ø6 x 36	
16	1	ST10727	RING GEAR, 220 TEETH, 12D.P.20	SEE ORDER
17	1	ST10251	DRIVE GEAR 12DP 14 T14.5	8mm - SEE ORDER
18	1		MOTOR - 4AM AIR FACE MNT	
19	1		PP206 PPILLOW BLOCK BEARING UNIT	
20	1	ST10914	CHAIN GAURD FRONT	1.6mm MS
21	1	ST10915	CHAIN GAURD SIDE	2mm
22	1	ST10343	FRICTION BRAKE	20mm BLACK NYLON
23	1		Hex Bolt M10 x 90	
24	1		PLAIN WASHER M10	
25	1		SPRING	
26	1		WINGNUT - M10	
27	1	ST10573	FLANGE - 25	6mm - SEE ORDER
28	1		CRANK END	25mm MS BAR
29	1	ST10574	FLANGE - 32	6mm - SEE ORDER
30	1		SWIVEL END	32 X 16 HOLLOW BAR
31	1	ST10911	MOTOR ADAPTOR PLATE - HYD	3mm MS



MATERIAL:		ISSUED FOR: REFERENCE		APPROVED:	
FINISH:		ITEM: C SERIES - MKII			
SCALE: 1:10 AT A4 © ALL INTELLECTUAL PROPERTY RIGHTS RESERVED		PARTS LIST			
TOLERANCES: DIMENSIONS 2 DECIMAL PLACES (10.00) ±0.1mm		DRAWING: ST10903-A.1		DATE 14/10/2009	
DIMENSIONS 1 DECIMAL PLACE (10.0) ±0.2mm		NUMBER - PART REV. DWG REV		SHEET 1 OF 2	
DIMENSIONS 0 DECIMAL PLACES (10.) ±0.5mm					
SW PART: C SERIES - MKII REEL ASSM SW DWG: ST10903-A.1 C SERIES MKII ASSM		ReCoila Unit 1/10 Melissa Place Kings Park NSW 2148 Australia WWW.RECOILA.COM		Ph: 61 2 9621 8988 Fx: 61 2 9621 7688 Em: sales@recoila.com	

Contact Us

Head Office Australia

Postal address:

PO BOX 641 Main Street
Blacktown NSW 2148
Australia

Phone

(61) 2 9621 8988

Email

sales@recoila.com.au

Street address:

Unit 1/10 Melissa Place
Kings Park NSW 2148
Australia

Fax

(61) 2 9621 7688

Web

www.recoila.com.au

New Zealand Warehouse & Distribution

Postal address:

PO BOX 101582
North Shore Mail Centre
North Shore City 0745
New Zealand

Phone

(64) 9 4410177

Email

sales@recoila.co.nz

Street address:

Unit 1/A 93 Ellice Rd
Glenfield
North Shore City 0629
New Zealand

Fax

(64) 9 4410178

Web

www.recoila.co.nz