

Safety Advice

PLEASE READ BEFORE YOU BEGIN:

- ° Please read and understand the instructions before assembly.
- ° Incorrect installation of the product could result in personal injury or physical damage. Please note that warranties do not cover injuries or damage under these circumstances.
- ° EzSpace recommends that eye protection is worn when assembling the product.
- ° EzSpace recommends at least two adults to assemble and install the product safely.
- ° This product must be placed on a flat and level surface while in use.
- ° EzSpace suggests to cover carpet or floor with soft materials before installation, and prepare the installation area with additional soft padding to prevent from any scratching to the floor surface.
- ° If you ordered additional drawers from us, please assemble drawers as the final step.
- ° If you ordered stairs/ staircase storage units from us, please assemble stairs after the bed and main components have been installed correctly. Installation instructions for stairs are separated provided.
- ° While these products are easy to install, we can recommend a qualified tradesperson to install if you are not comfortable with the installation of this product. Please contact us directly for assistance.

SAFETY WARNING

The bunk/loft bed is not to be placed near a ceiling fan unless the distance between the closest points on the ceiling fan and the bunk/loft bed is at least 2 m. Our products are designed to be installed by adults ONLY. Please keep children away during installation to prevent any unexpected injuries to the child or damage to the product. Warranties do not cover injuries or damage under these circumstances.

While our products meet Australian Standards, supervision for child use is required:

Children under the age of six should not use the upper bed if the bunk is of the type that has an upper bed suspended over a lower bed;

Children under the age of 12 should not use the bunk if it is of the type which has an elevated bed suspended over a play area, furniture or other feature;

Children should be discouraged from playing on the bunk bed.

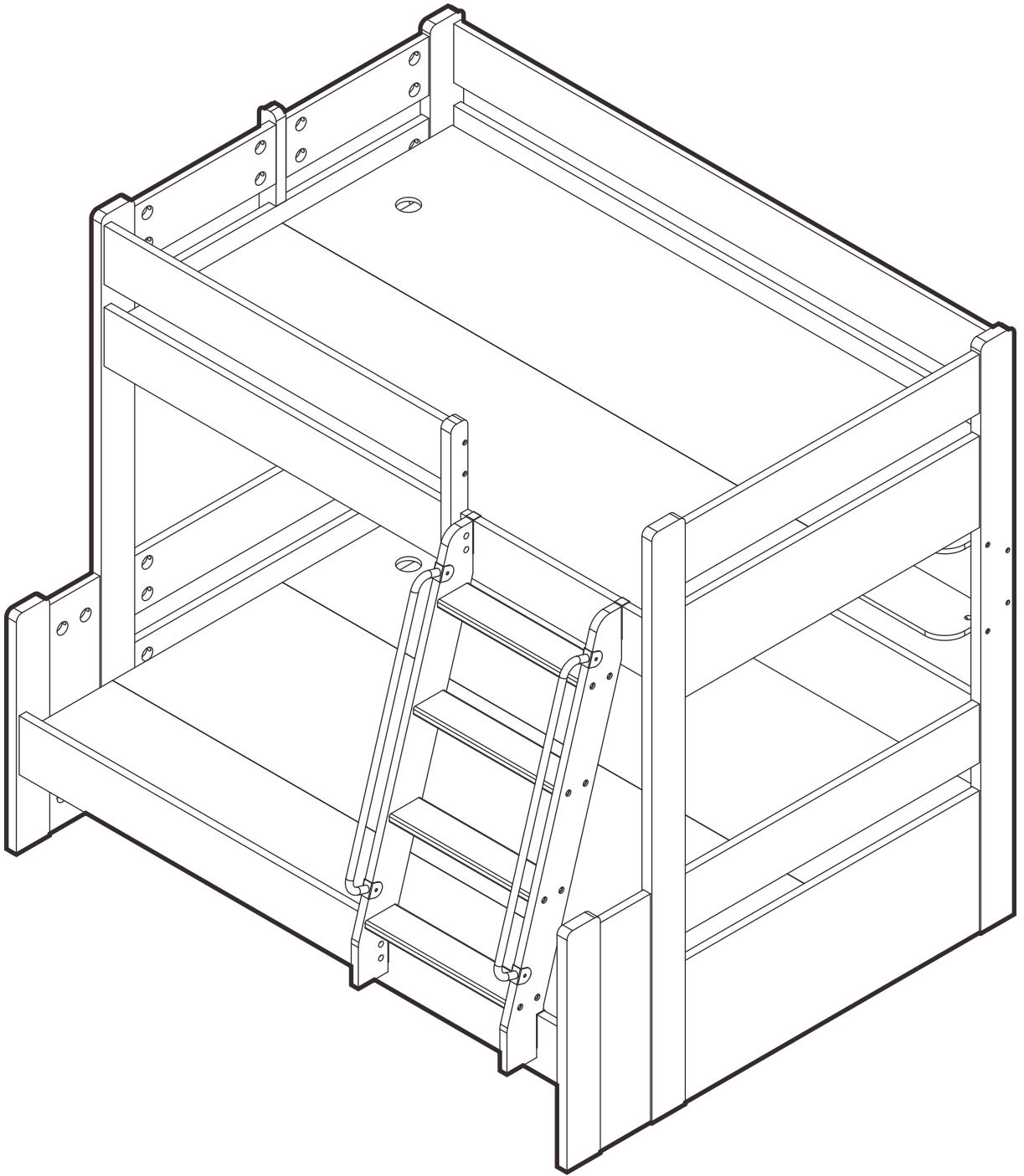
The bunk/loft bed should be checked periodically to ensure that the guardrail, ladder and other components are maintained in the correct position and state of repair and that all connectors are tight.

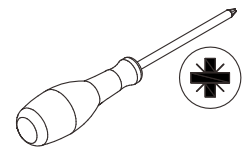
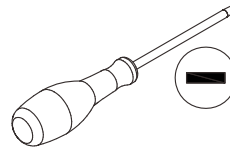
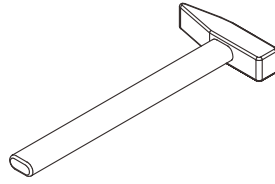
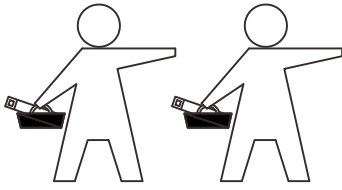


Contact us

products@ezspace.com.au

PAPU

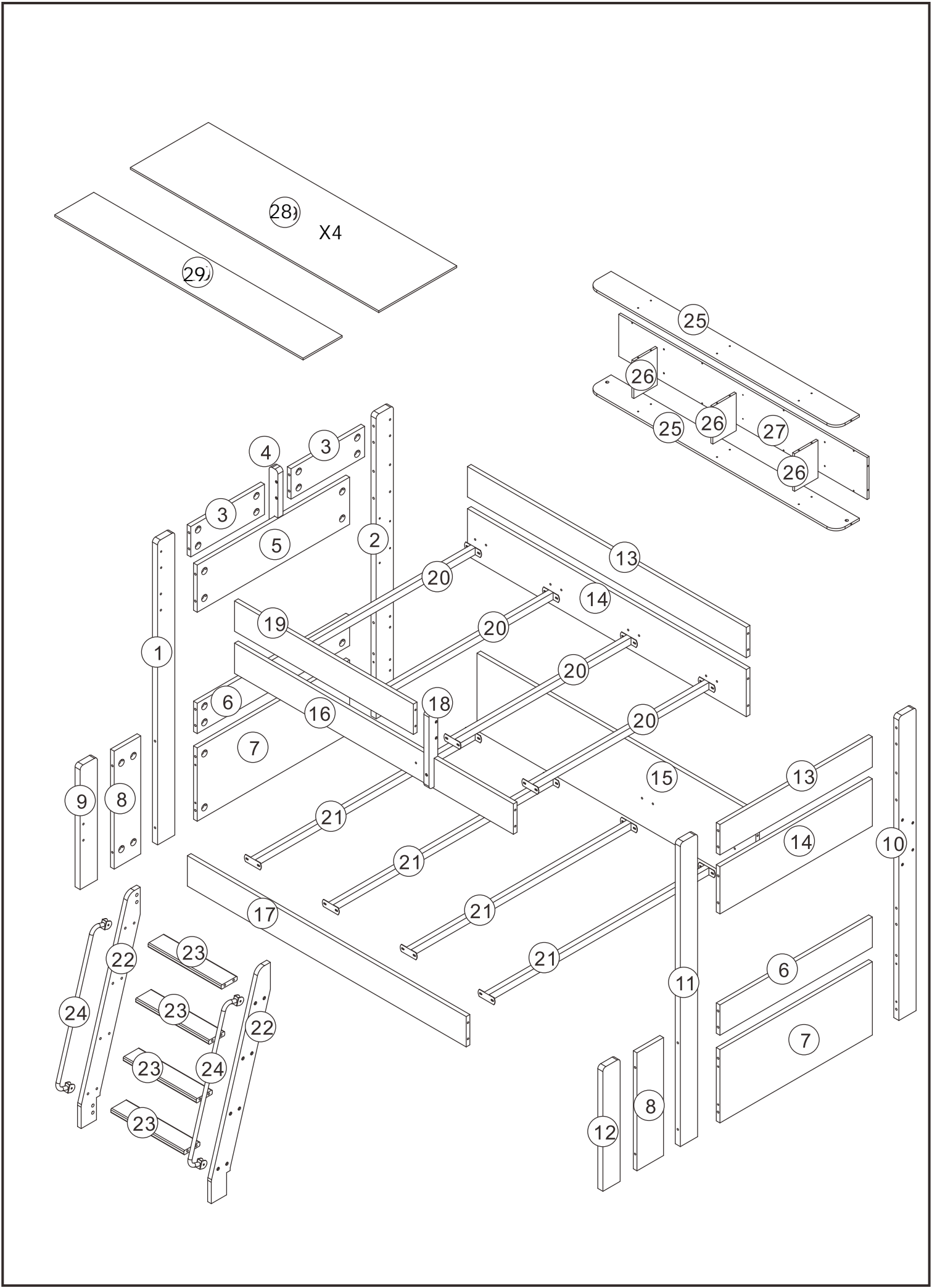




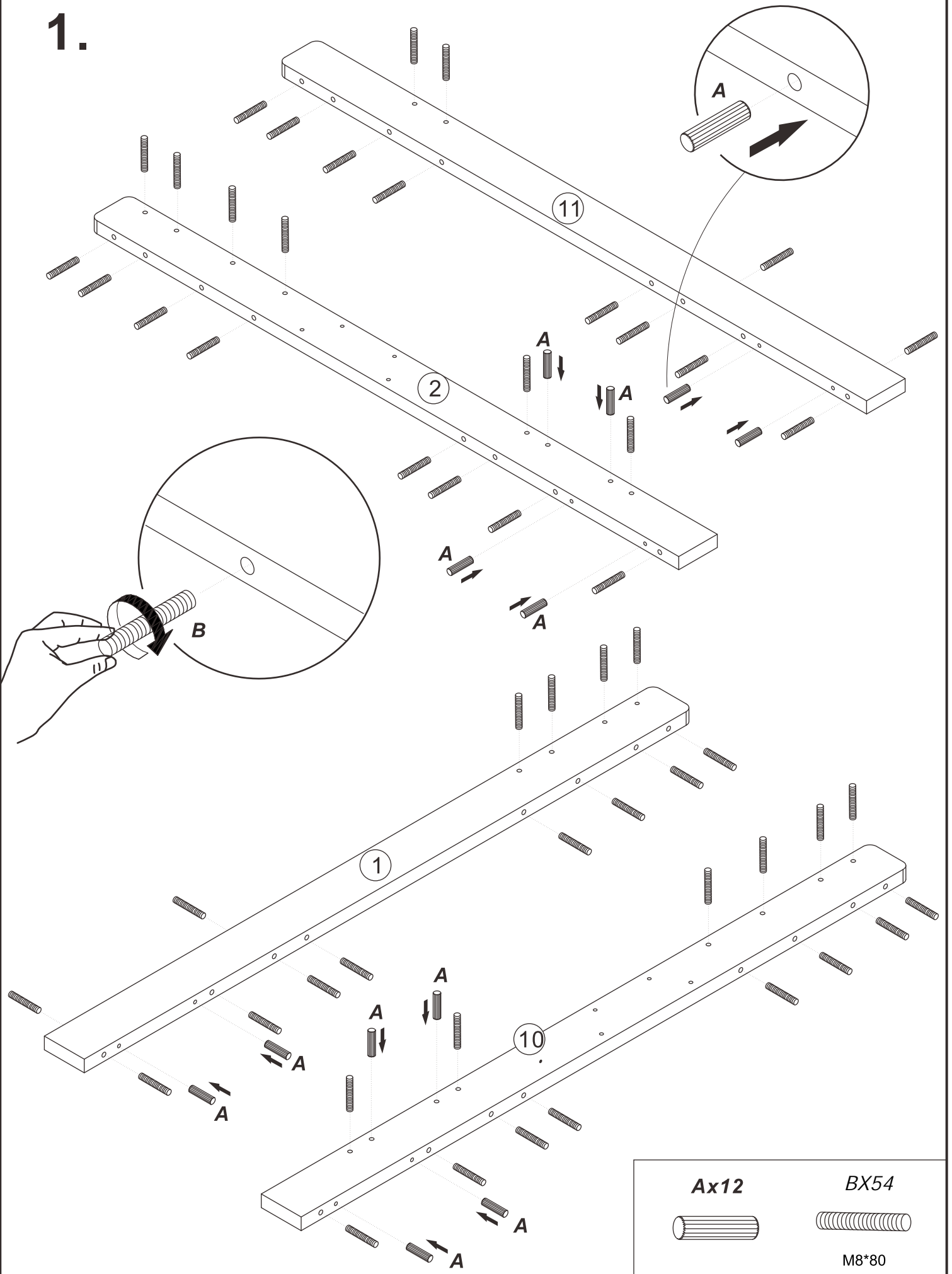
COMPONENT SIZE



1.5M

NO.	DIM.(mm)			QTY.
	L	W	H	
01	1799	118	35	1
02	1799	118	35	1
03	504	180	25	2
04	450	60	35	1
05	1044	280	25	1
06	1044	200	25	2
07	1044	400	25	2
08	182	700	25	2
09	729	118	35	1
10	1799	118	35	1
11	1799	118	35	1
12	729	118	35	1
13	1910	180	25	1
13	1044	180	25	1
14	1044	280	25	1
14	1910	280	25	1
15	1910	400	25	1
16	1910	180	25	1
17	1910	148	25	1
18	450	60	35	1
19	1214	180	25	1
20	1210	90	25	4
21	1510	90	25	4
22	1260	120	25	2
23	500	104	25	4
24	950	110	28	2
25	1910	180	15	2
26	249	180	15	3
27	1910	280	15	1
28	1900	600	12	4
29	1900	300	12	1

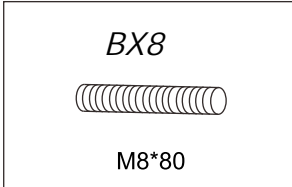
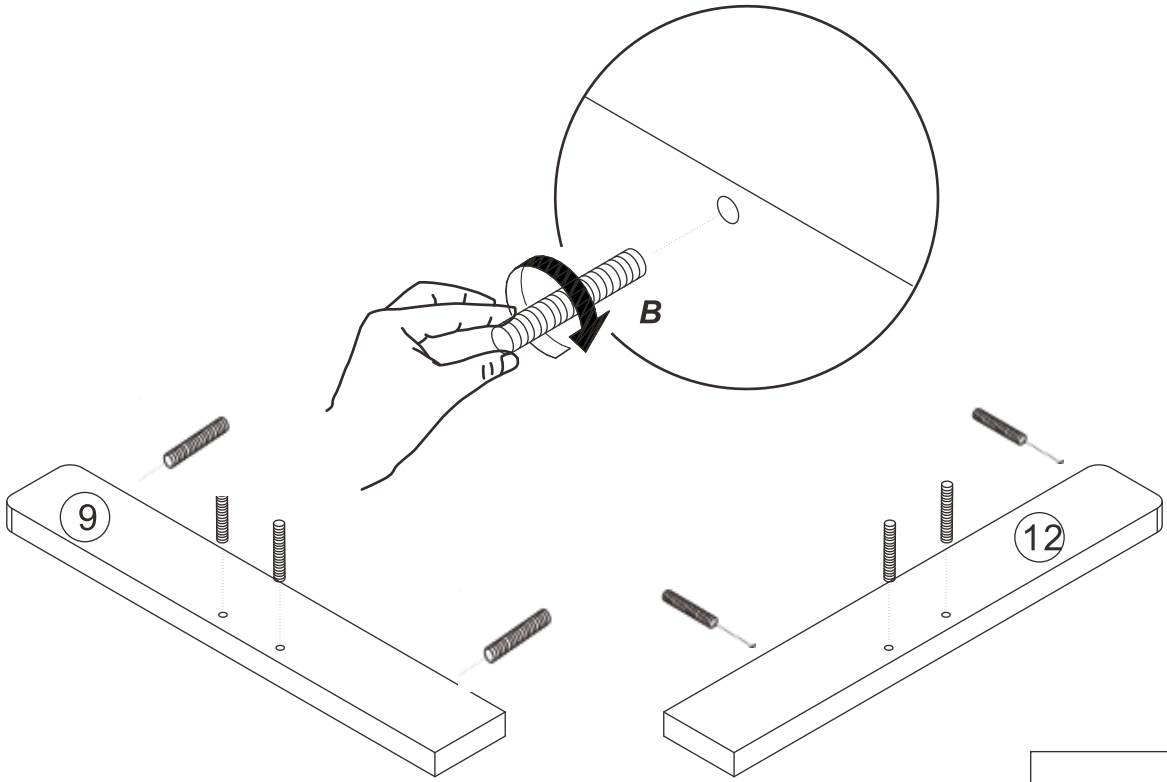


1.

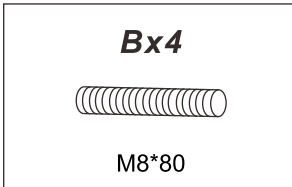
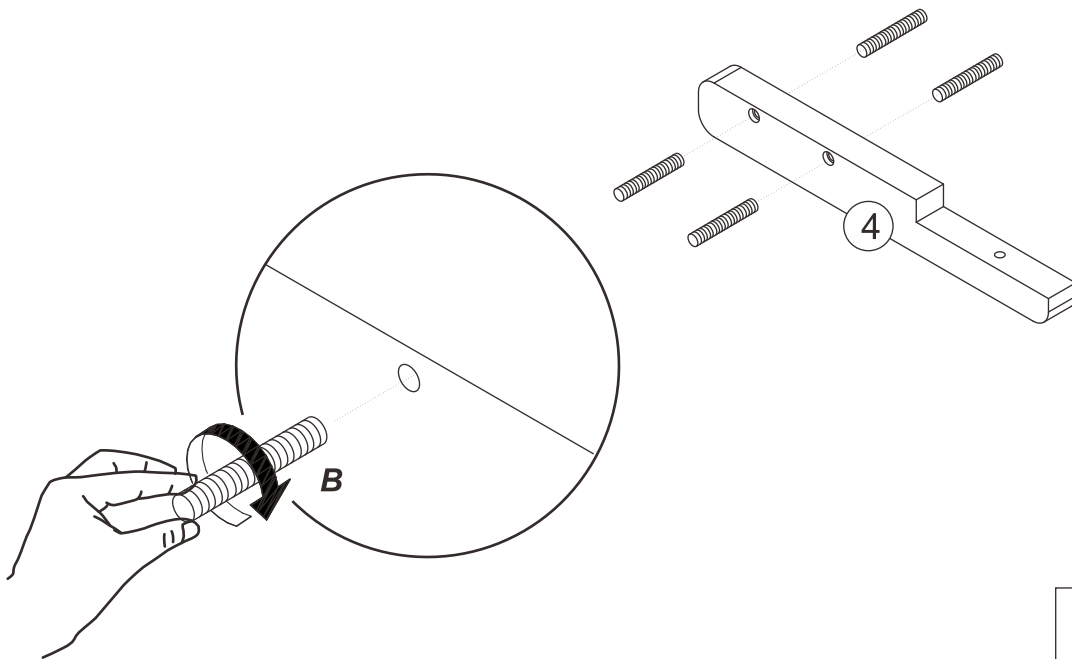


Ax12	Bx54
	
	M8*80

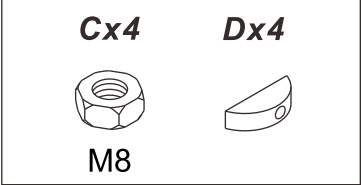
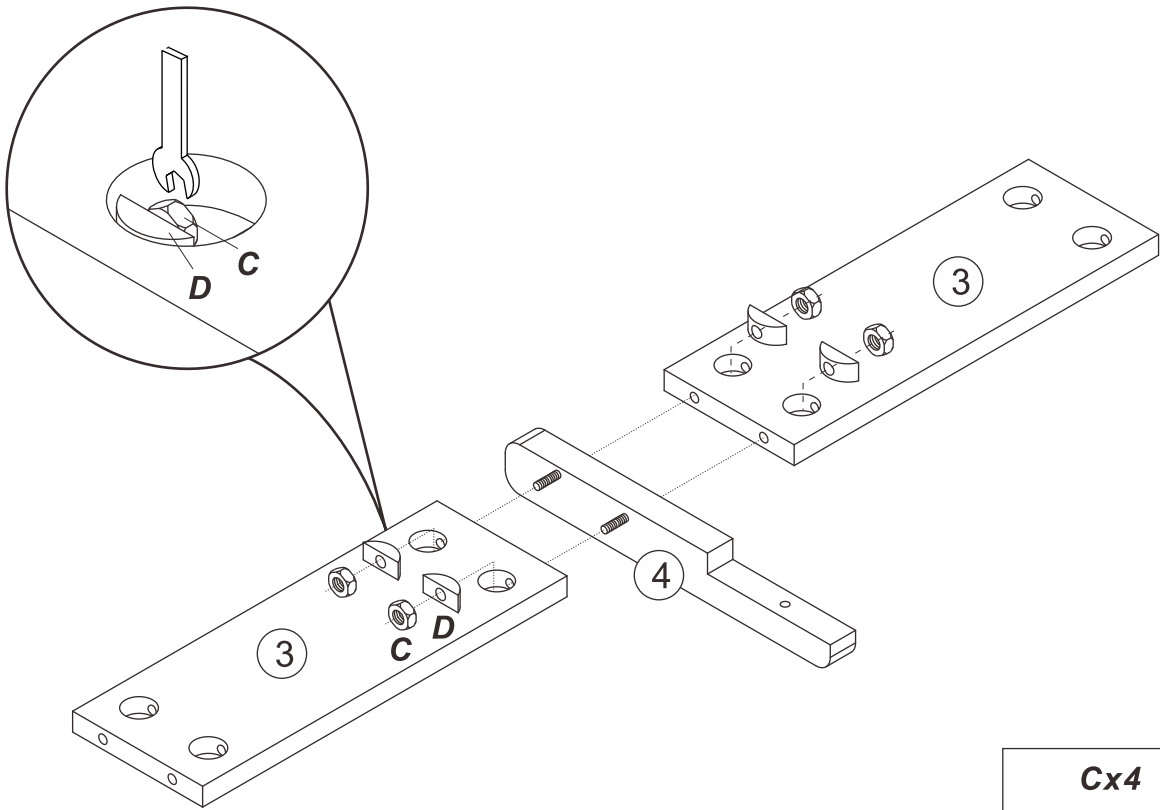
2.



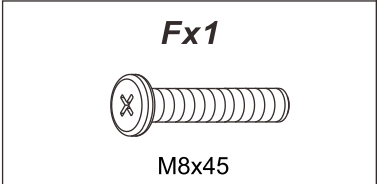
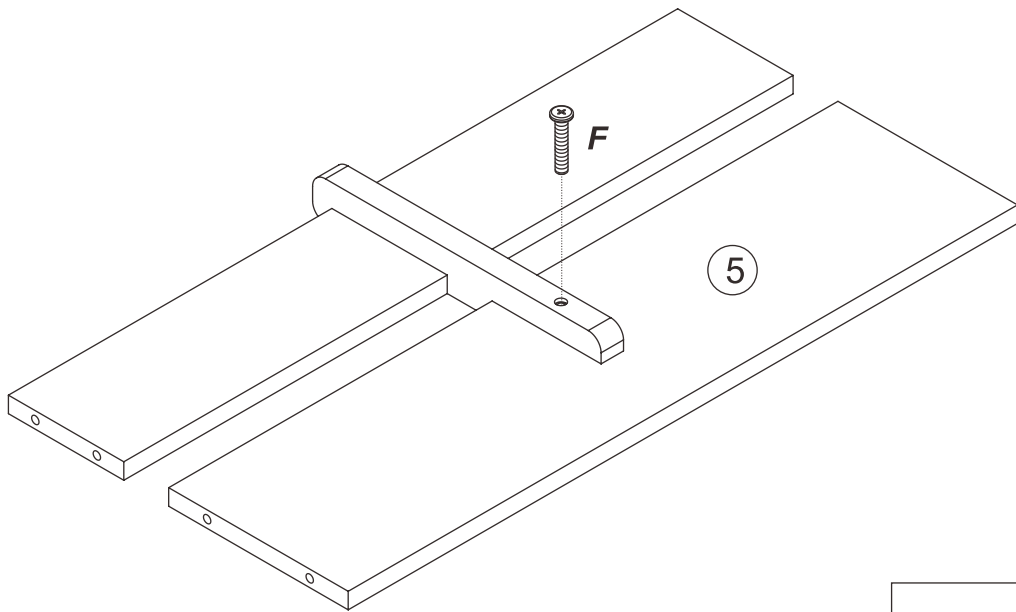
3.



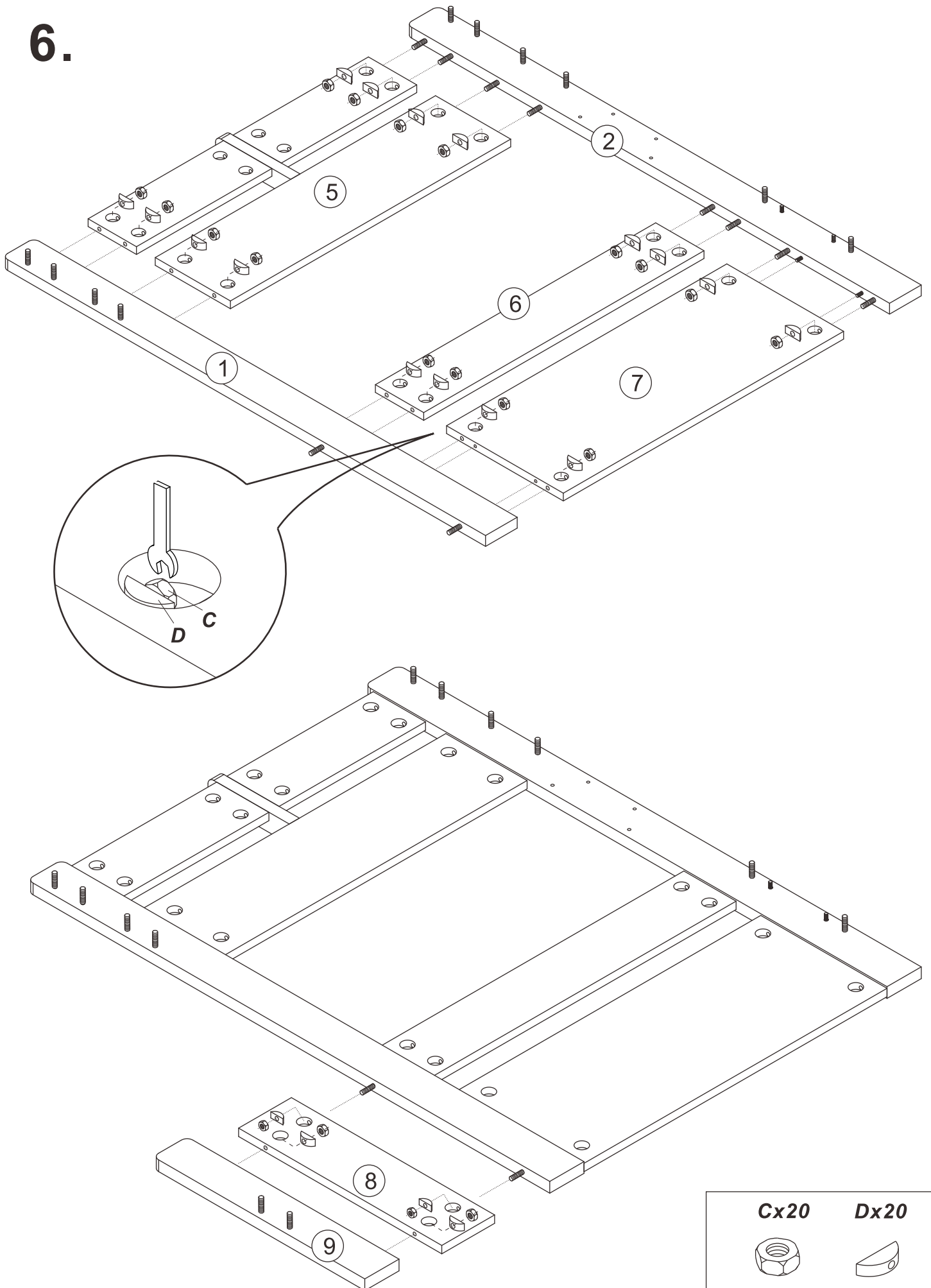
4.





5.

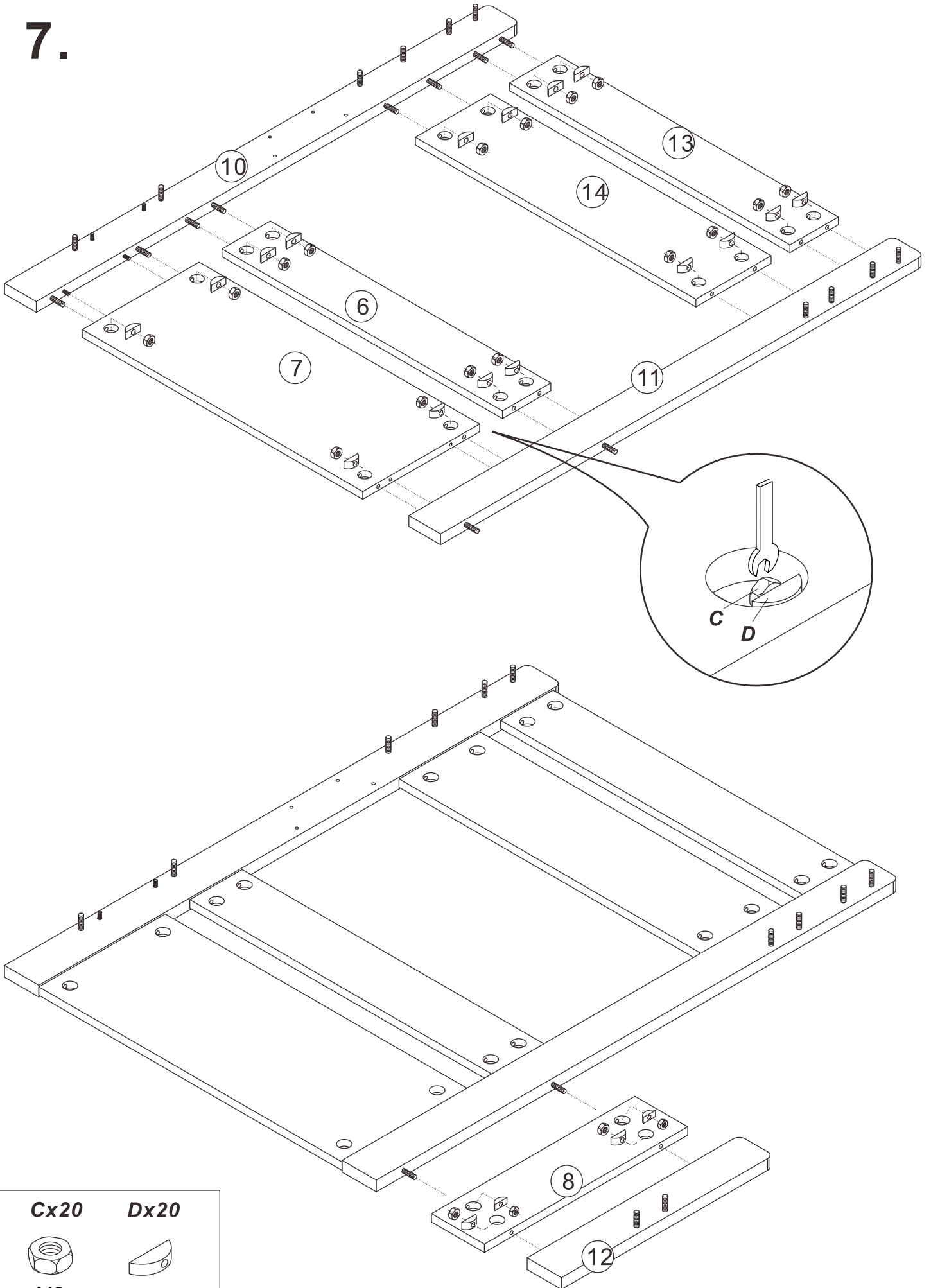


6.



Cx20	Dx20
	
M8	

7.



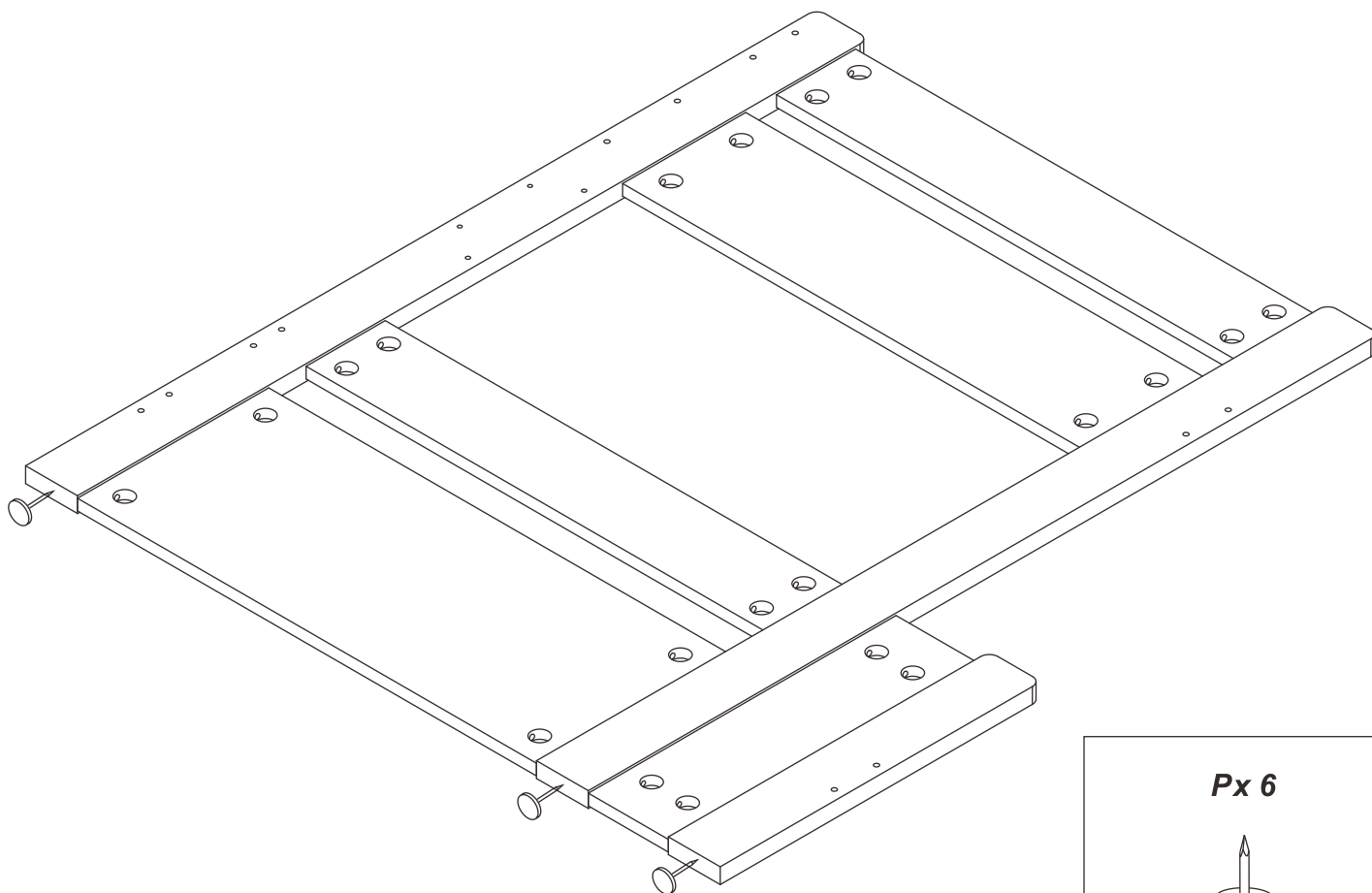
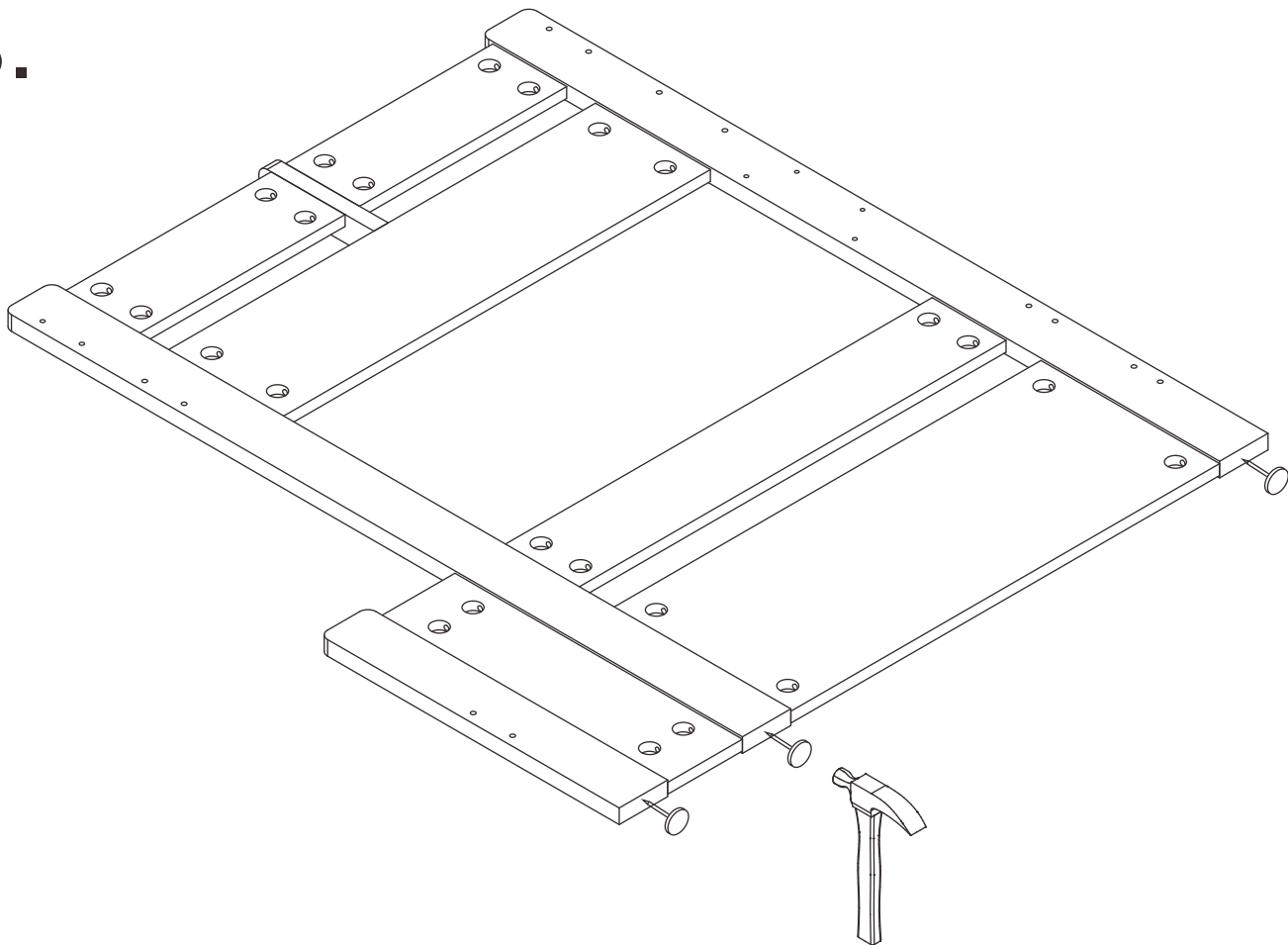
Cx20

Dx20



M8

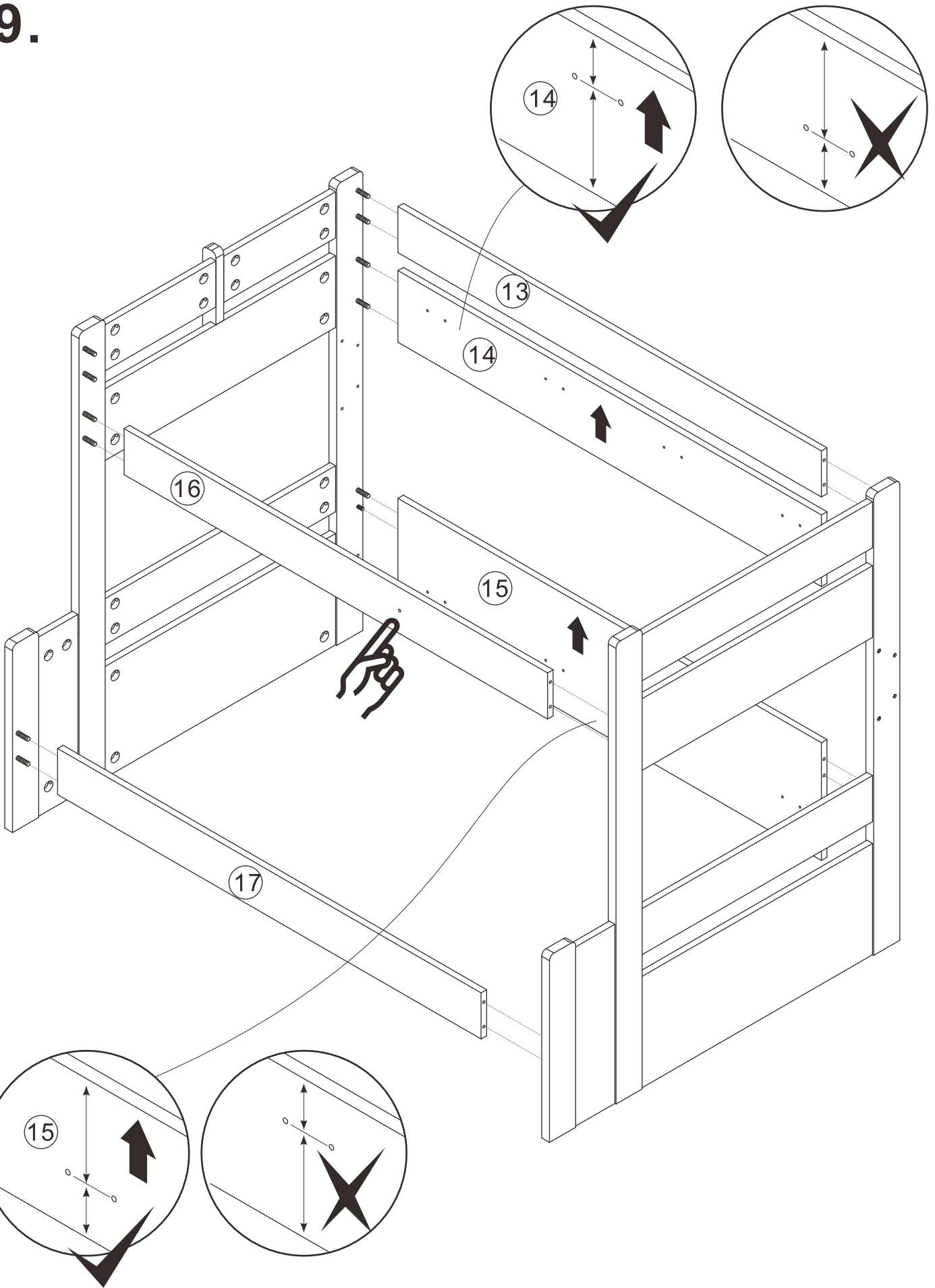
8.



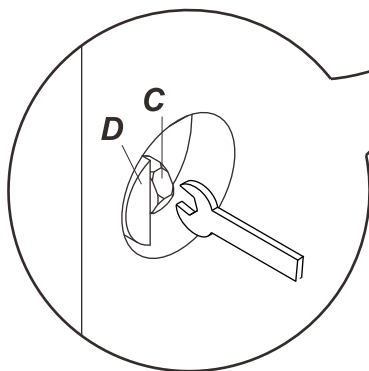
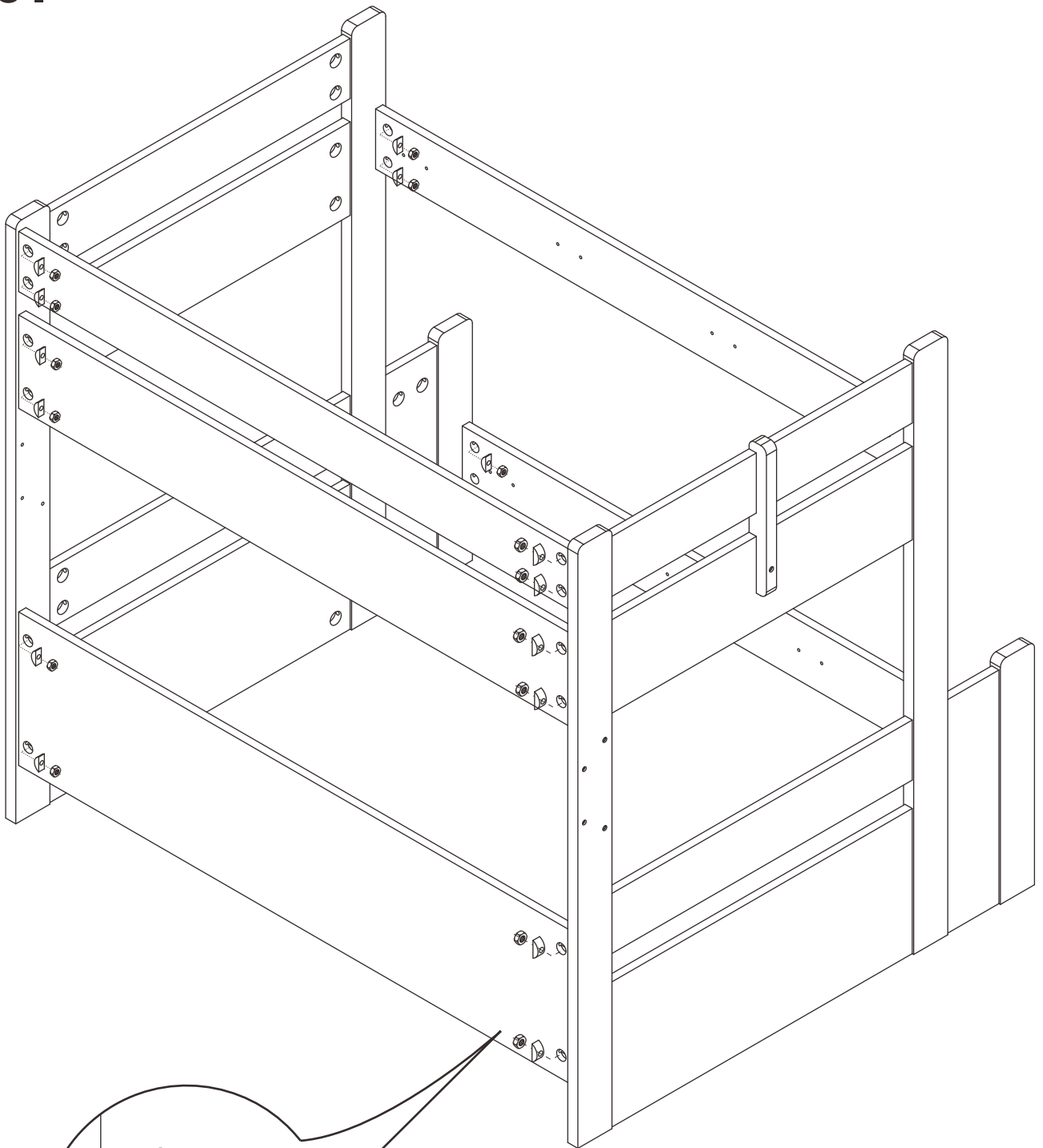
Px 6





9.

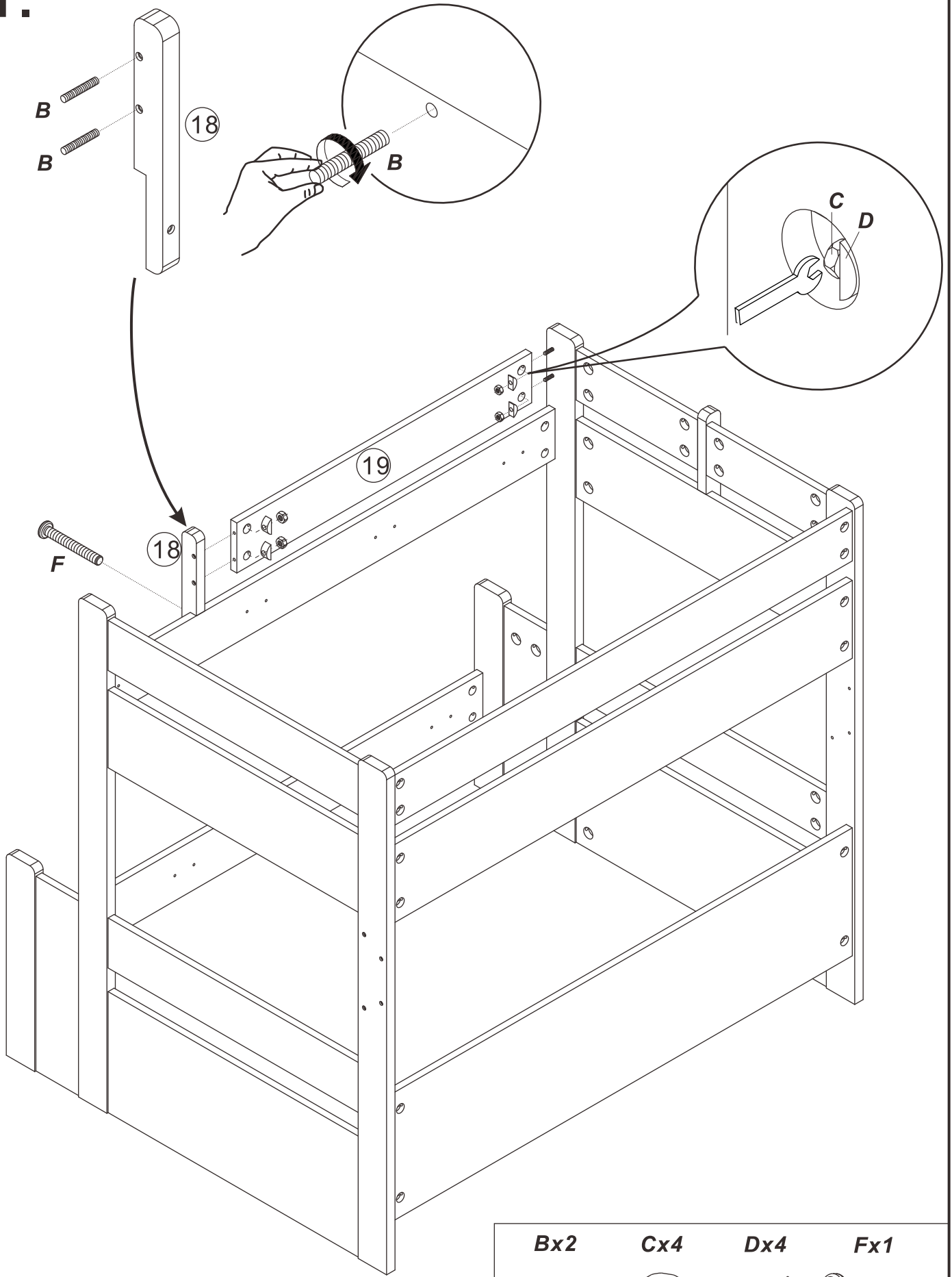


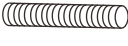


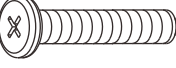
10.



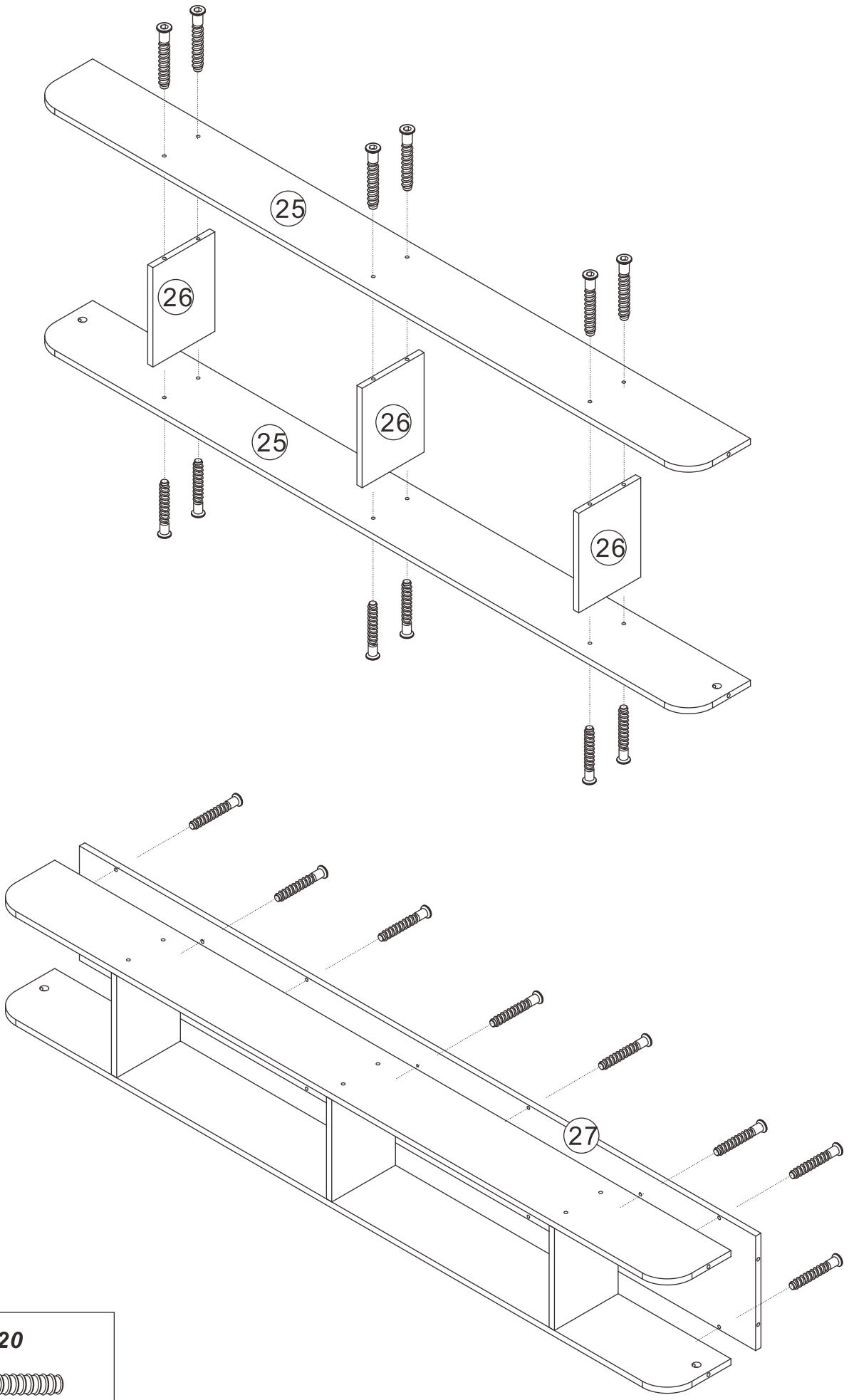
Cx20	Dx20
	
M8	

11.

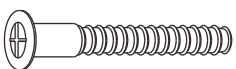


Bx2	Cx4	Dx4	Fx1
			
M8*80	M8		M8x45

12.

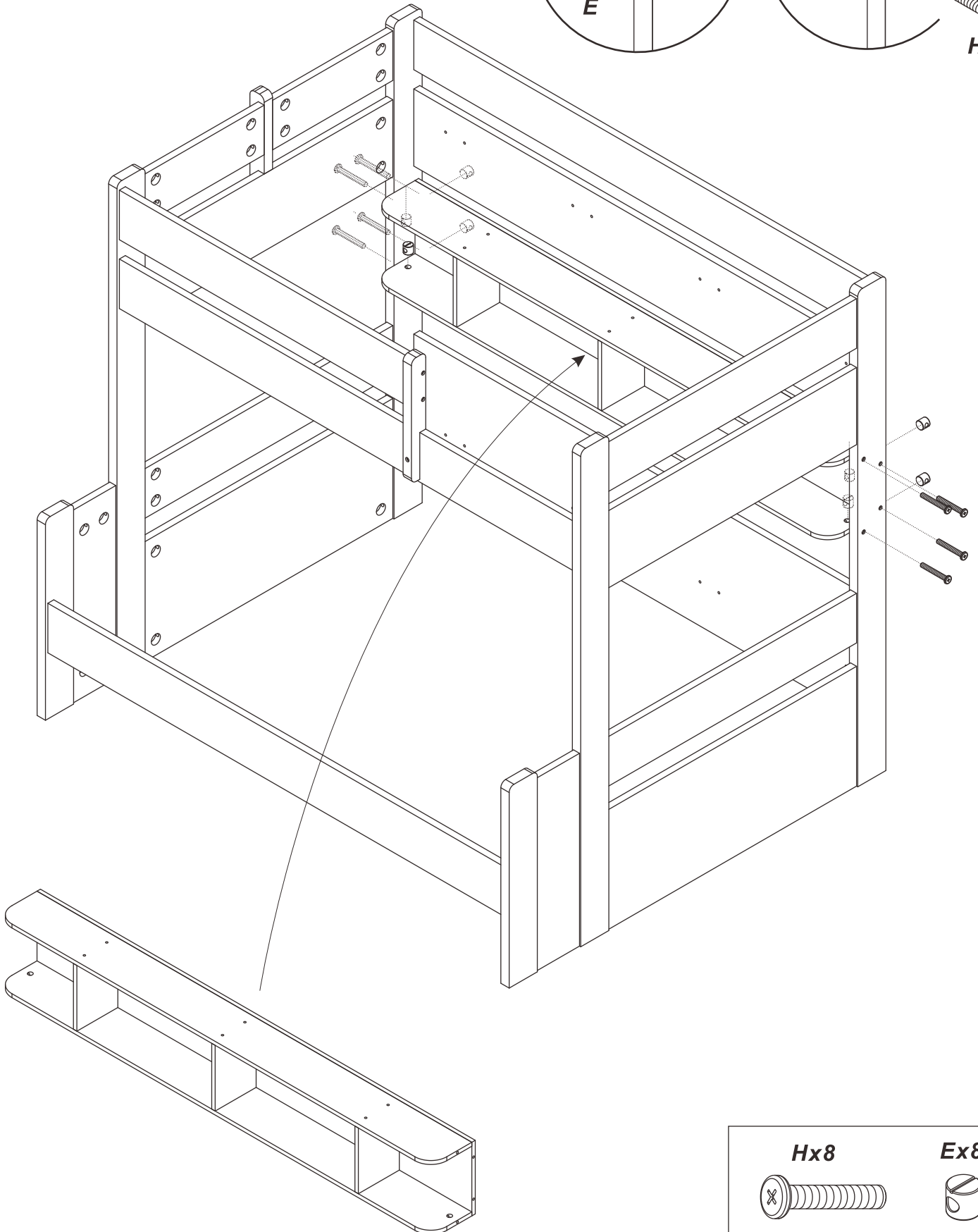
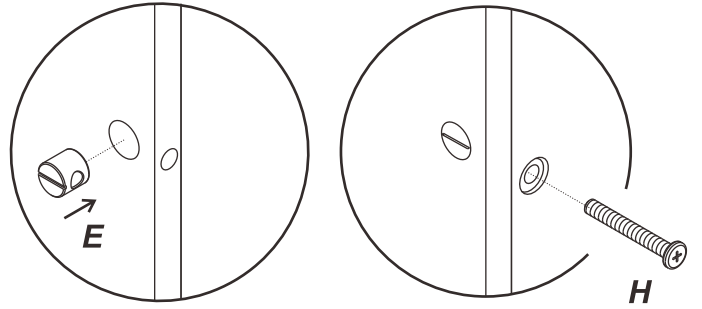


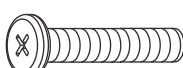

Gx20



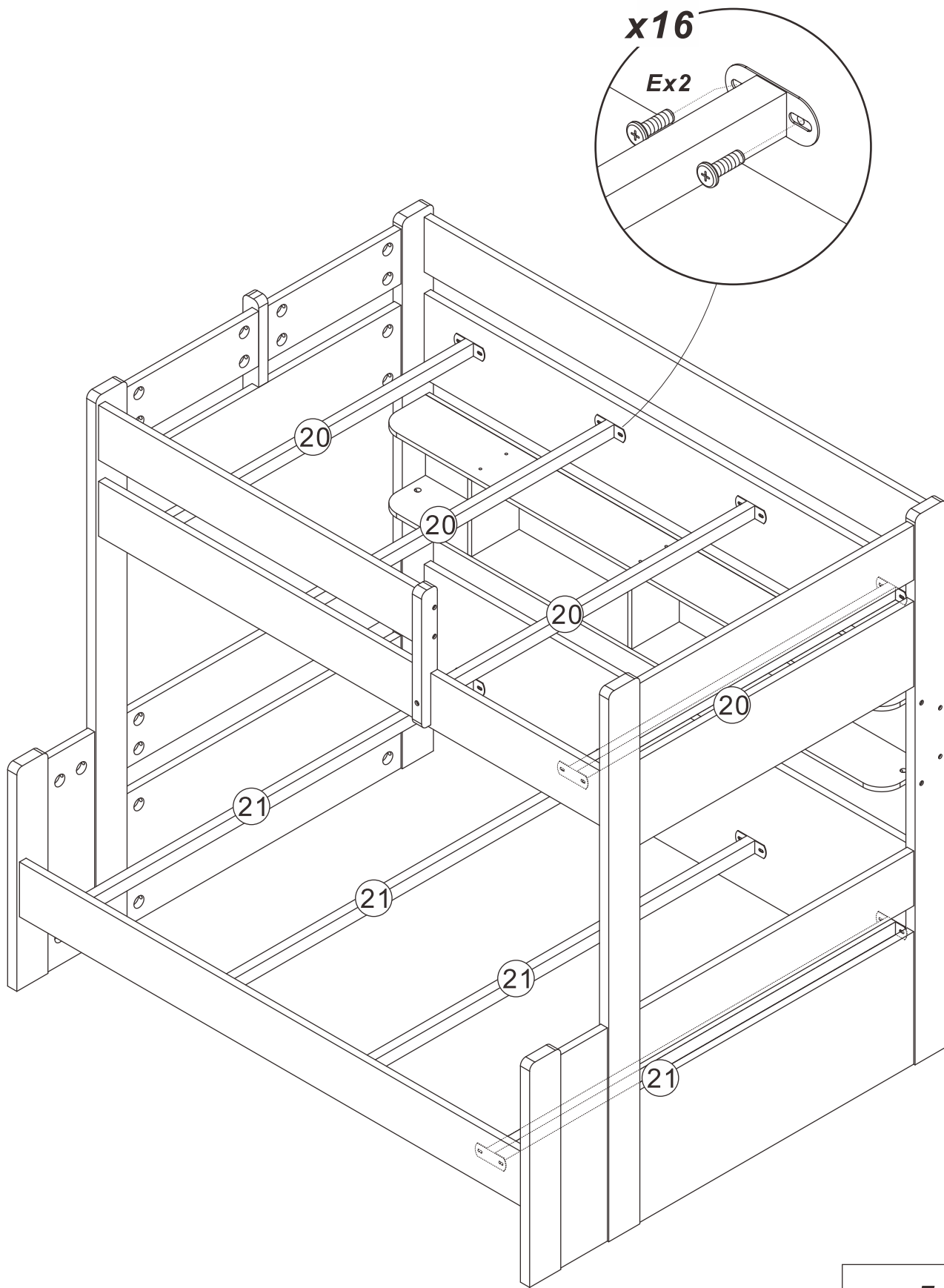
M7*38

13.



Hx8	Ex8
	
M6*60	M6*12

14.

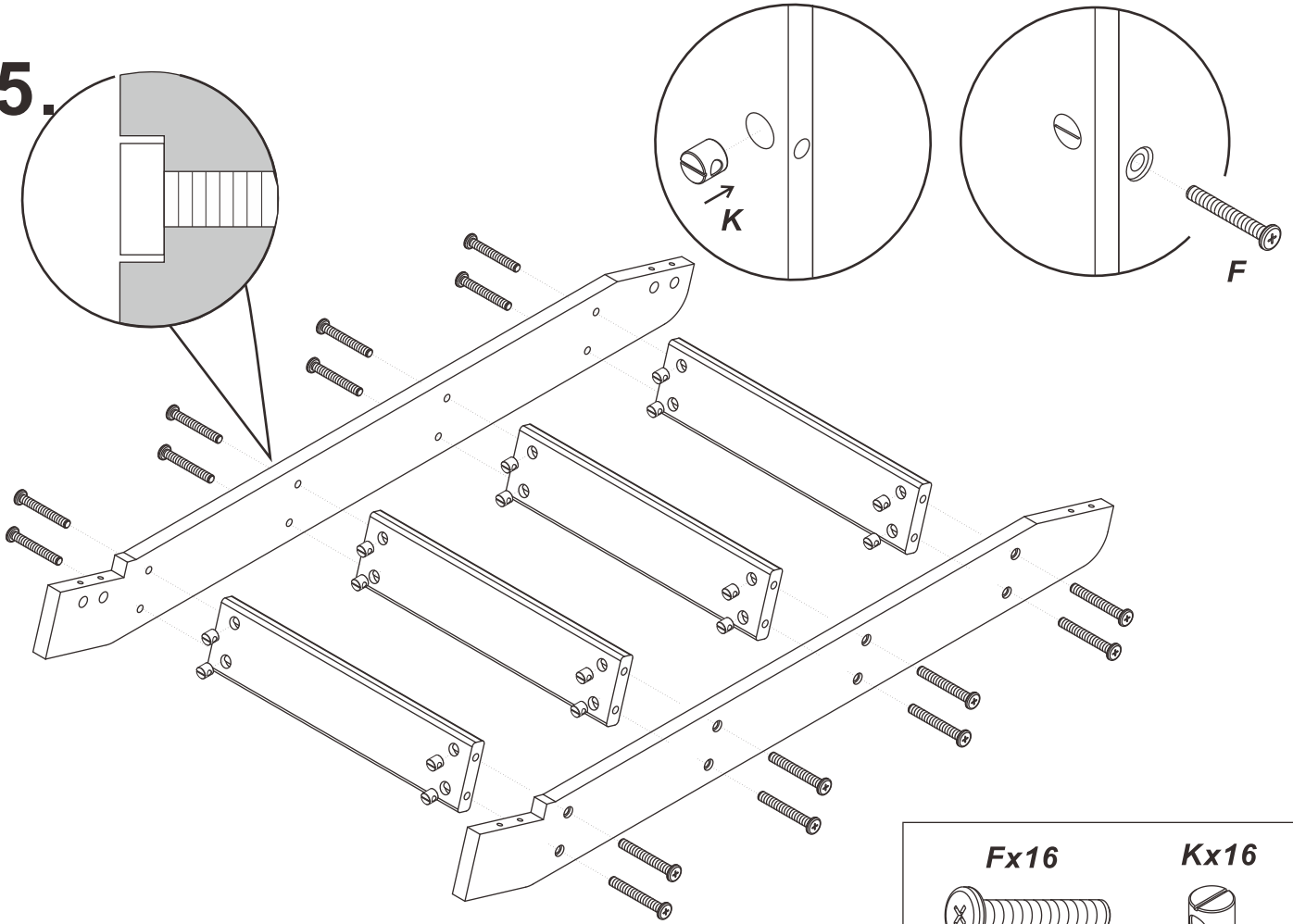


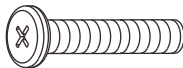

Ex32



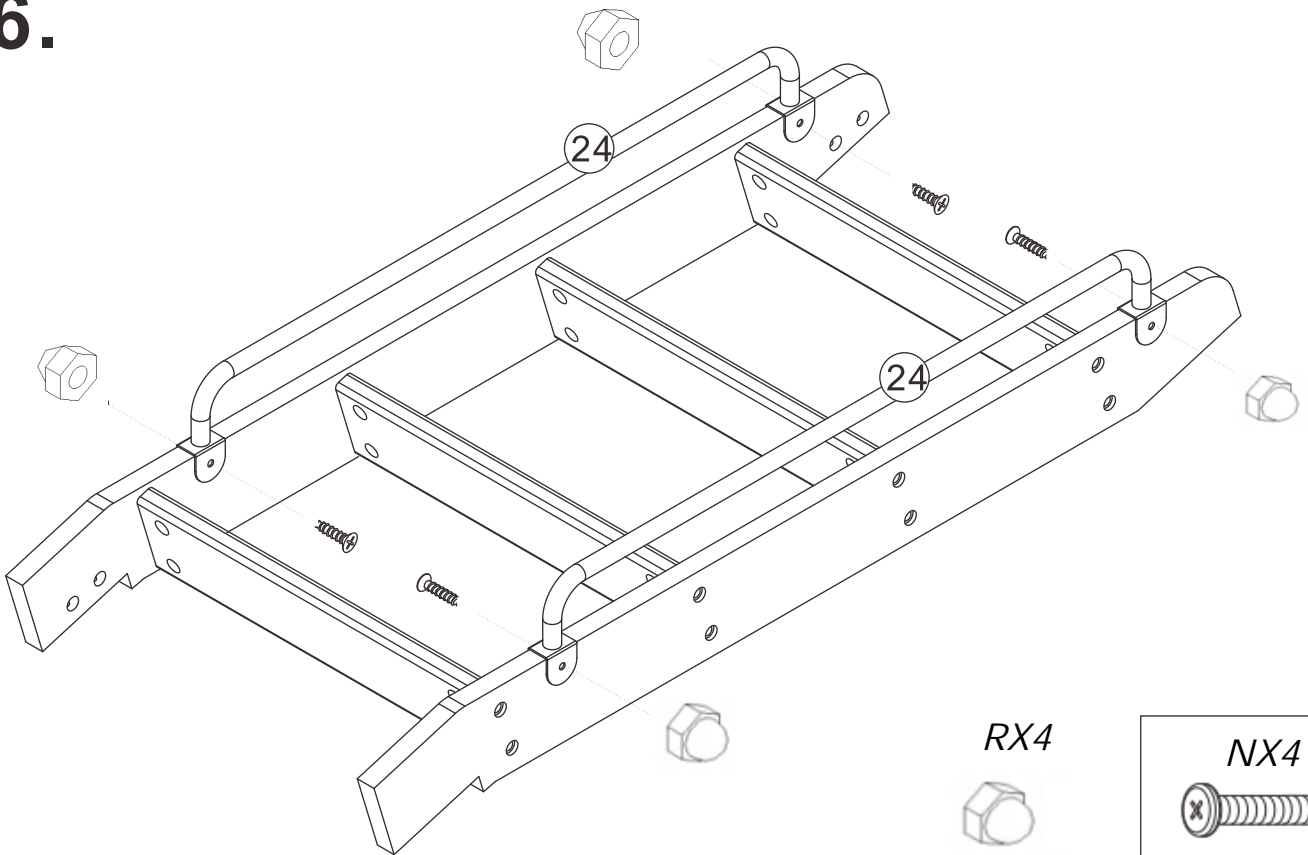
M6*15


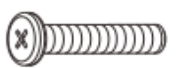
15.



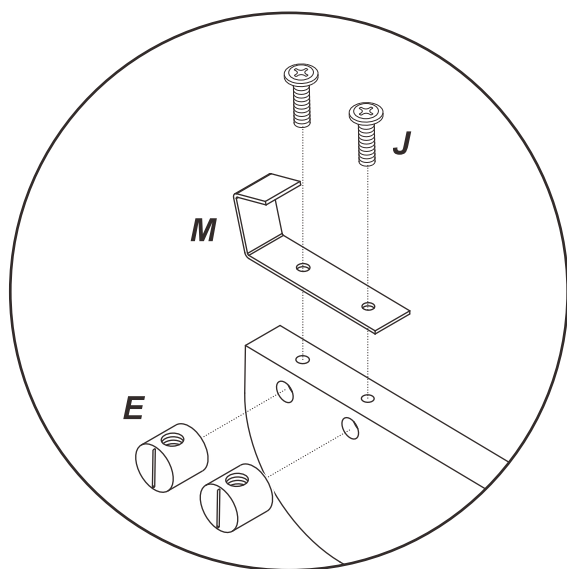
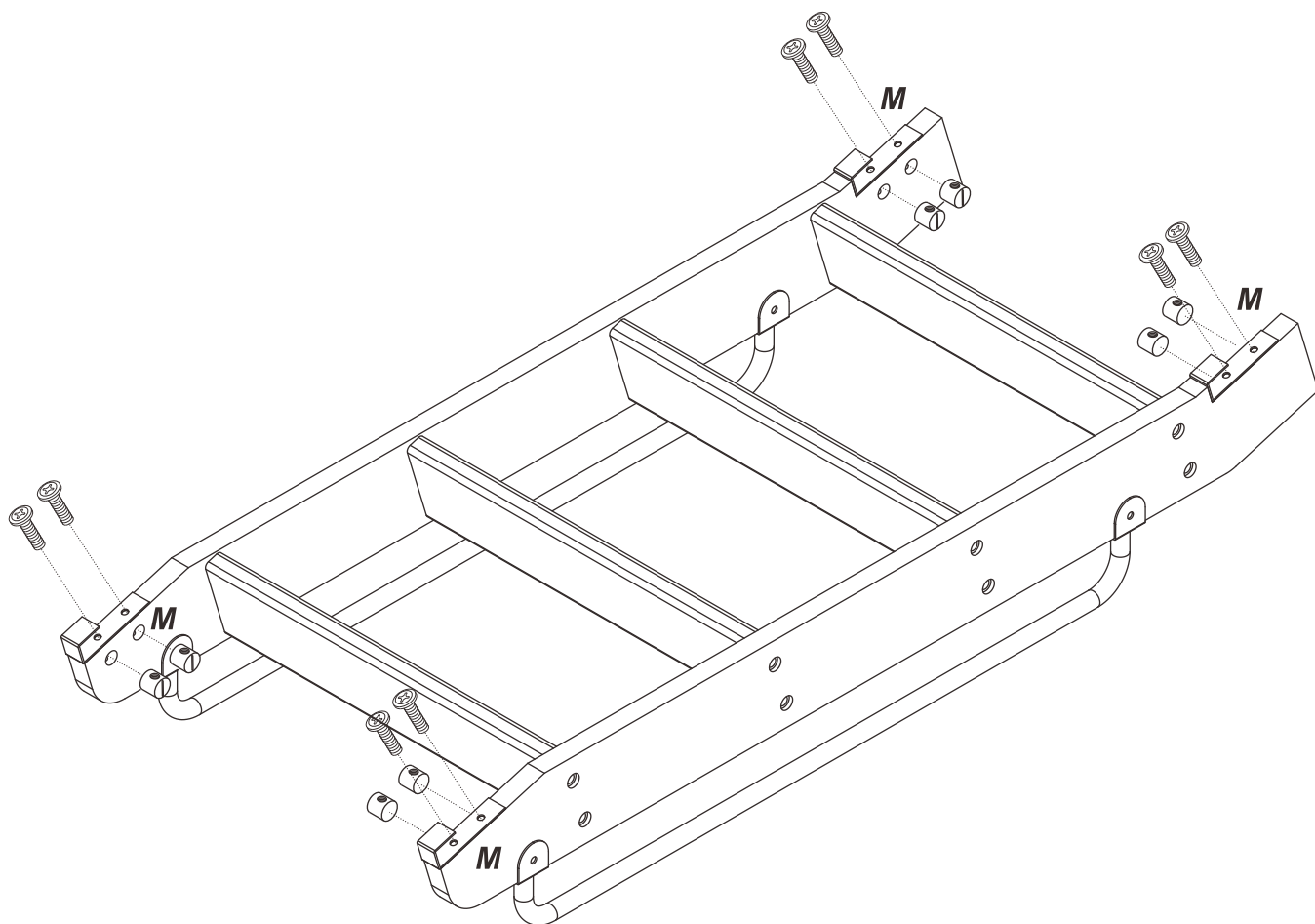
Fx16	Kx16
	
M8*45	M8*15

16.



RX4	NX4
	
M6	6X35

17.



M6*35
Jx8

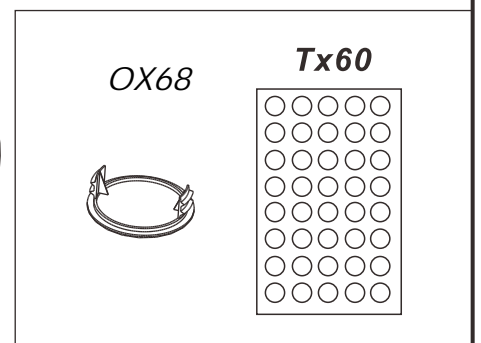
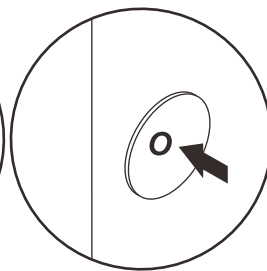
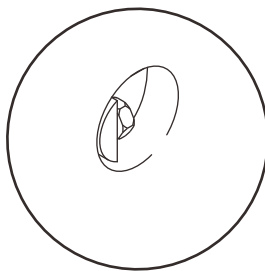
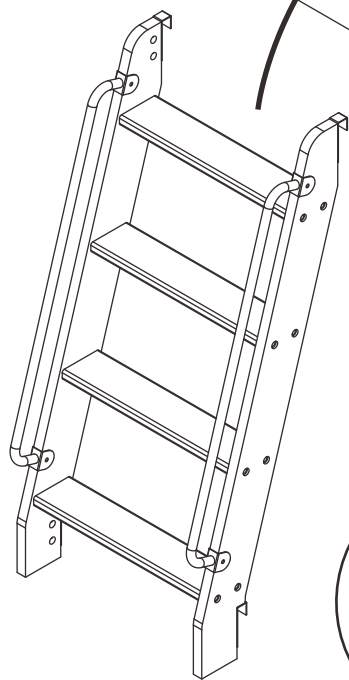
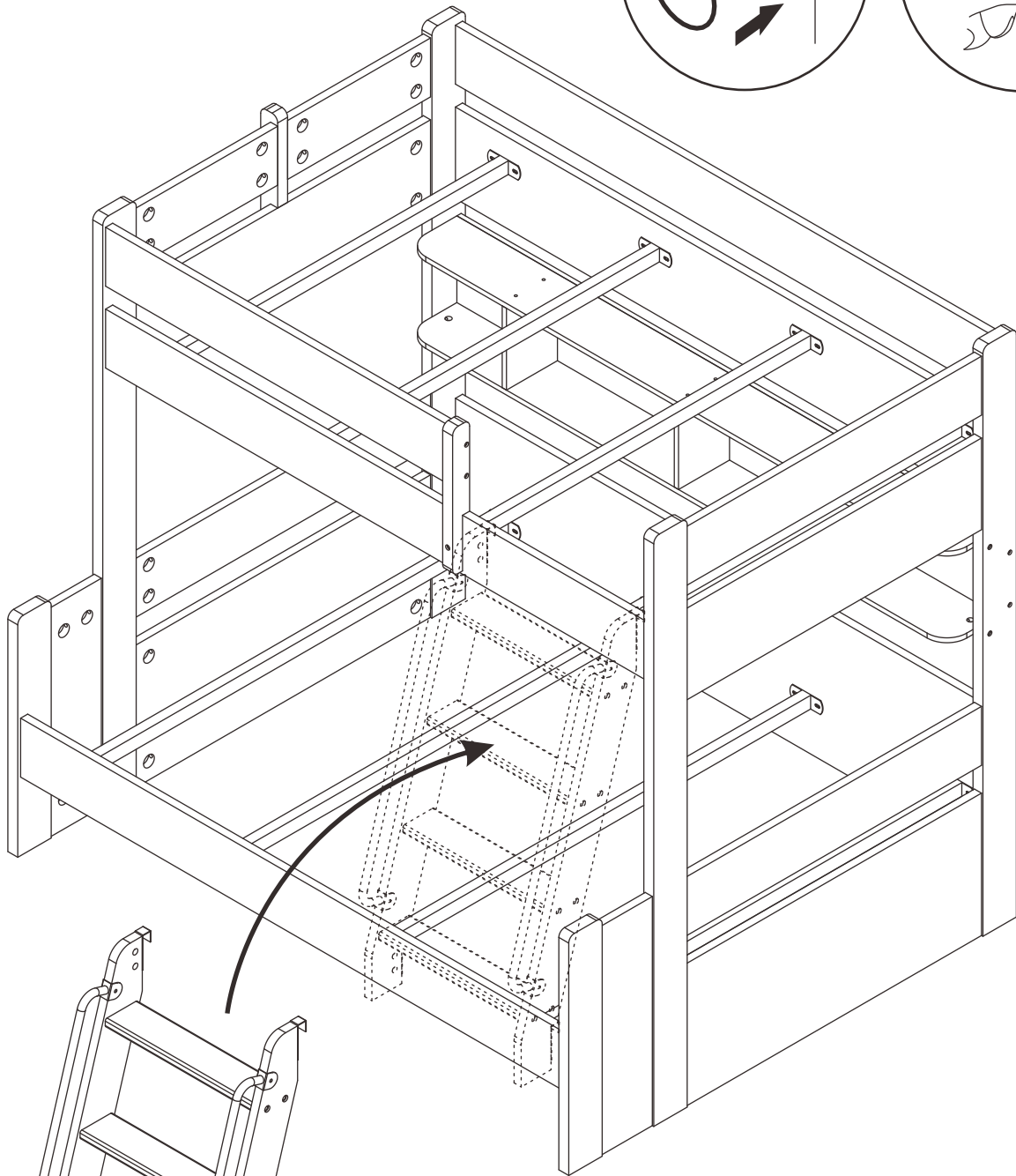
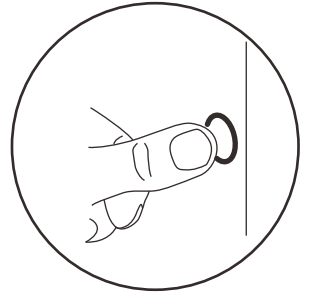
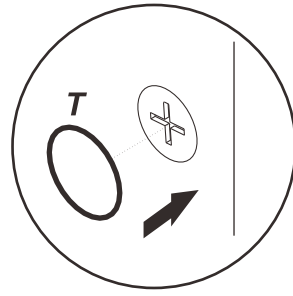


M6*12
Ex8

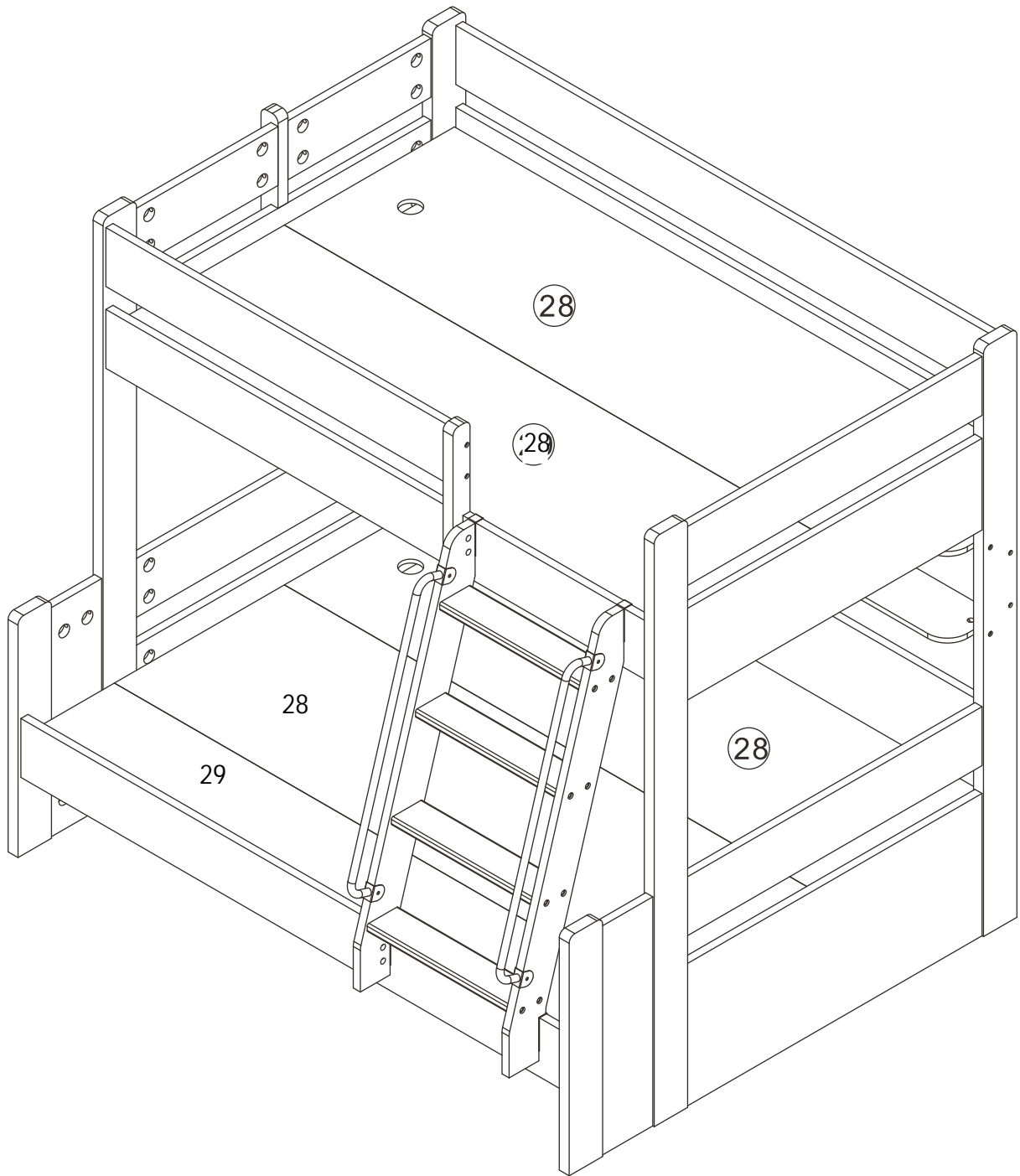


Mx4

18.



19.



Warranty and Guarantee

Faults and Warranty Claims

EzSpace warrants all goods to be free from defects in materials and workmanship, and of acceptable quality and durability for the purpose for which they are designed.

All goods come with guarantees that cannot be excluded under the Australian Consumer Law. You are entitled to a replacement or refund for a major failure and compensation for any other reasonably foreseeable loss or damage. You are also entitled to have the goods repaired or replaced if the goods fail to be of acceptable quality and the failure does not amount to a major failure.

Guarantee

EzSpace is guaranteed against faults in construction and material for a period of three years from the date of purchase for furnitures, such as bunk bed, loft bed and wallbed.

EzSpace is guaranteed against faults in construction and material for a period of five years from the date of purchase for mattresses.

EzSpace is guaranteed against faults in construction and material for a period of one year from the date of purchase for small items, such as bins or the “Paper” collection on our website.

We do not accept responsibility for any natural characteristics of materials used or any slight dents or marks occurring during transportation.

Please contact Our Customer Service Team with proof of purchase and all details of the fault.

This guarantee does not exclude any conditions or warranties implied by the Commonwealth Trade Practices Act, or by state legislation.

This guarantee is not transferable.



EzSpace Pty Ltd
ABN 51636115243
Phone: 1300219730
Email: admin@ezspace.com.au
Website: ezspace.com.au