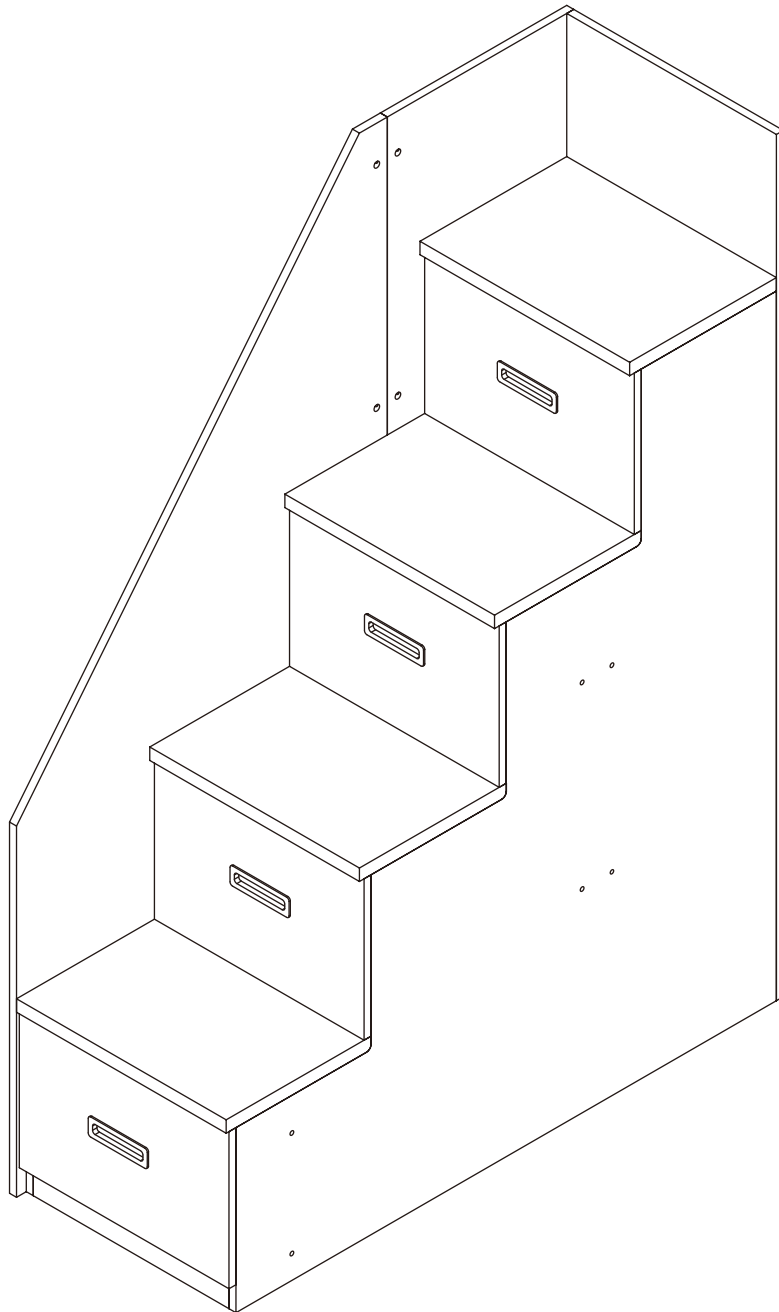
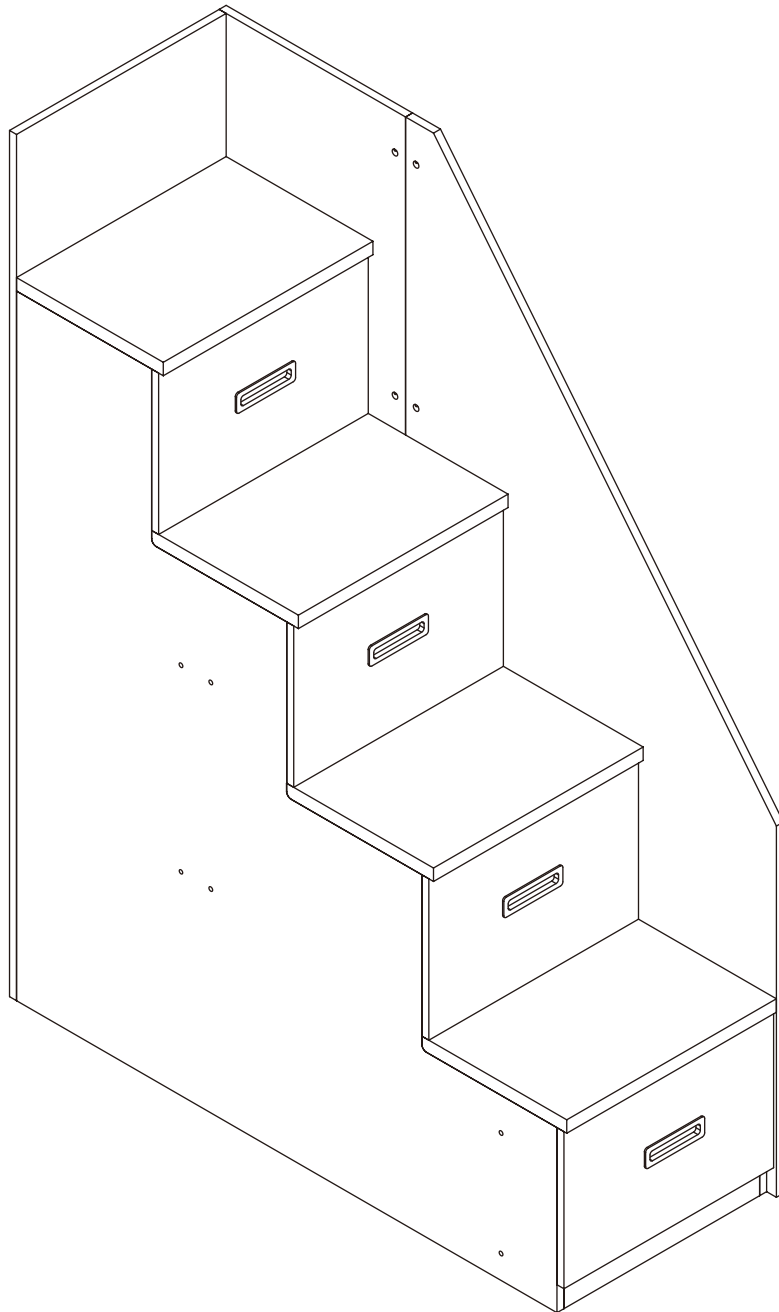


# TEOM Stair Installation Manual (Two Panels Version)

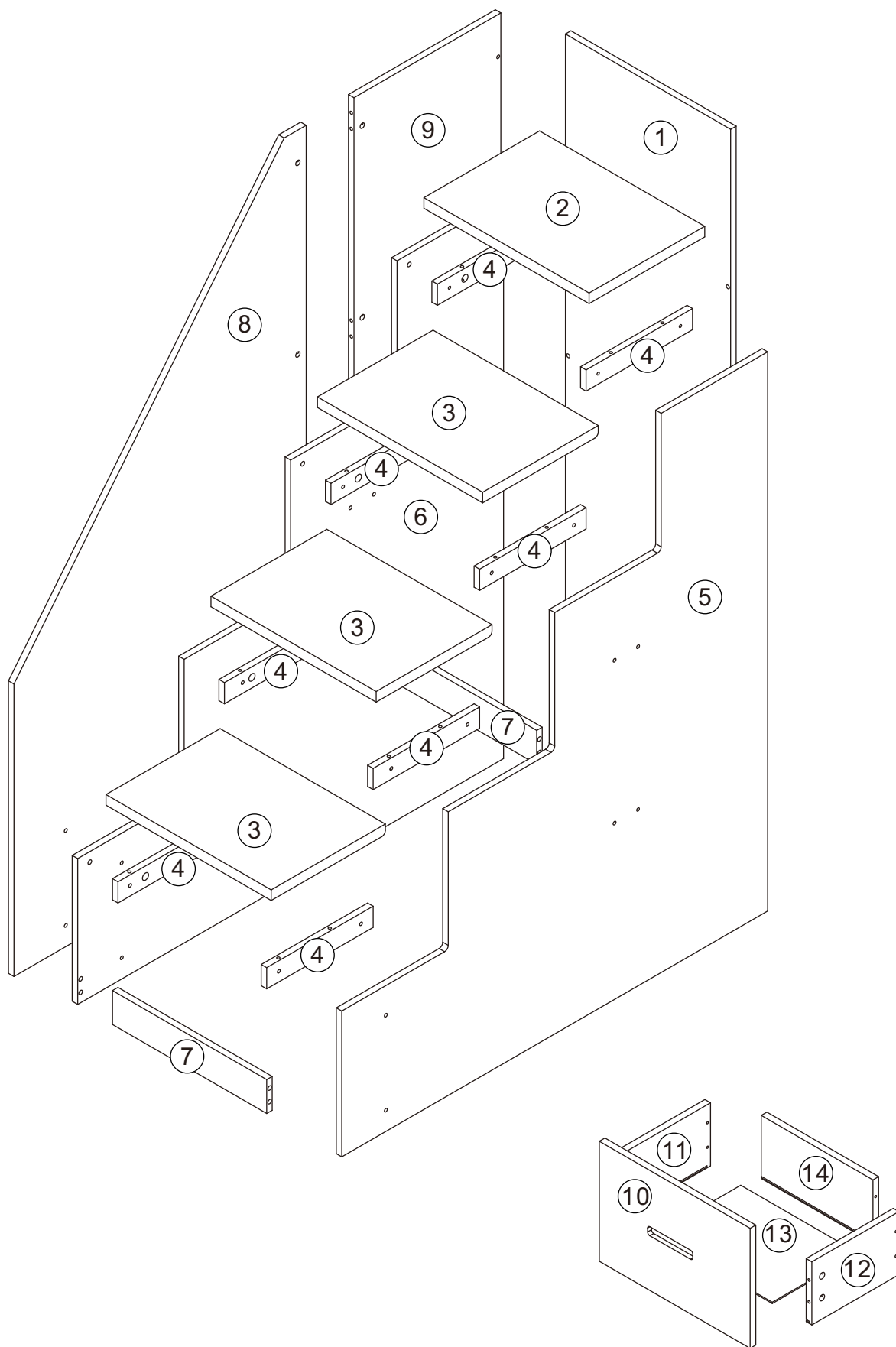


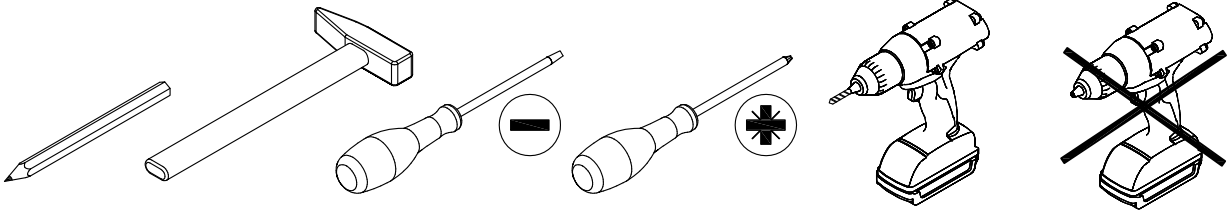
**P3-P20**

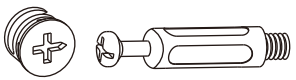

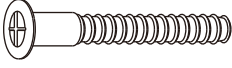

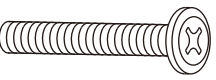
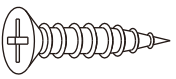



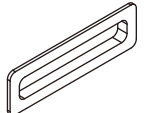
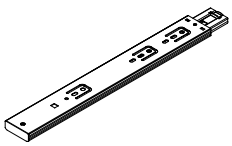

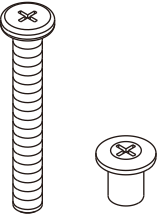
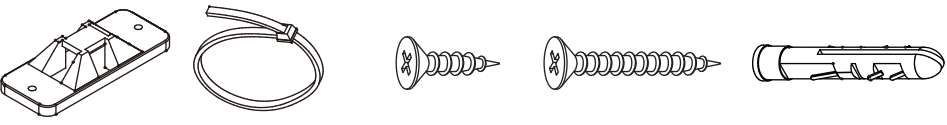




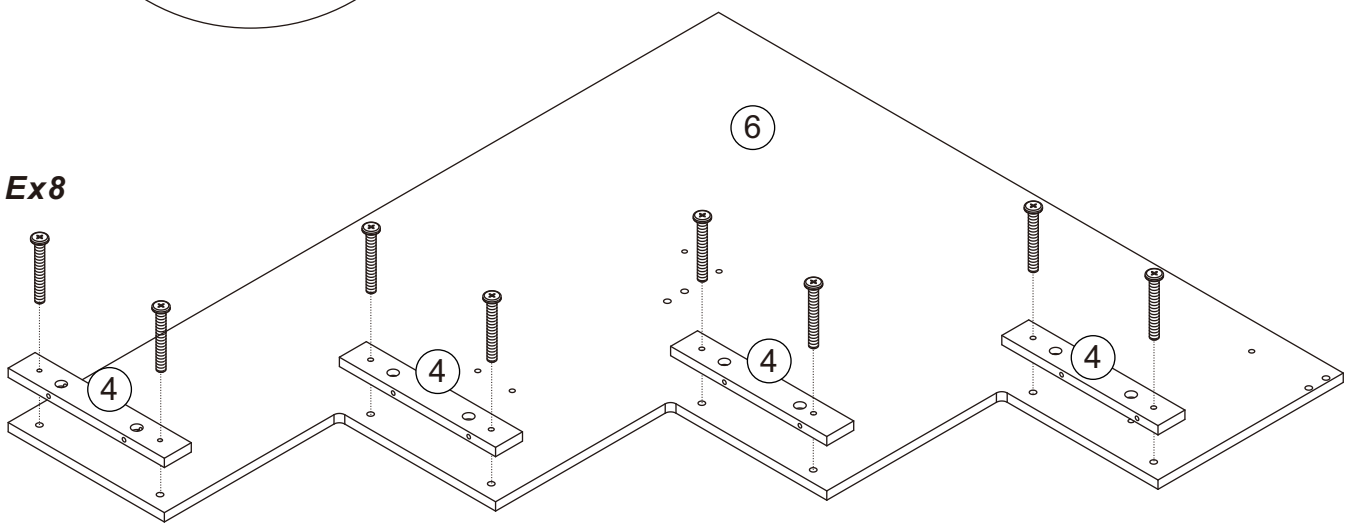
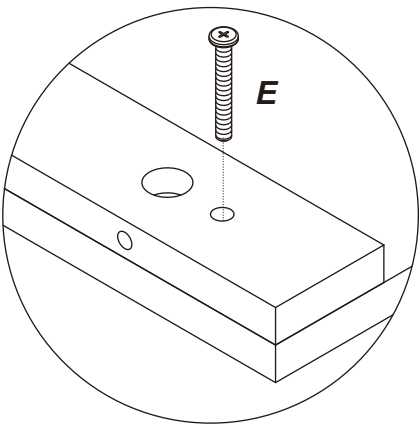
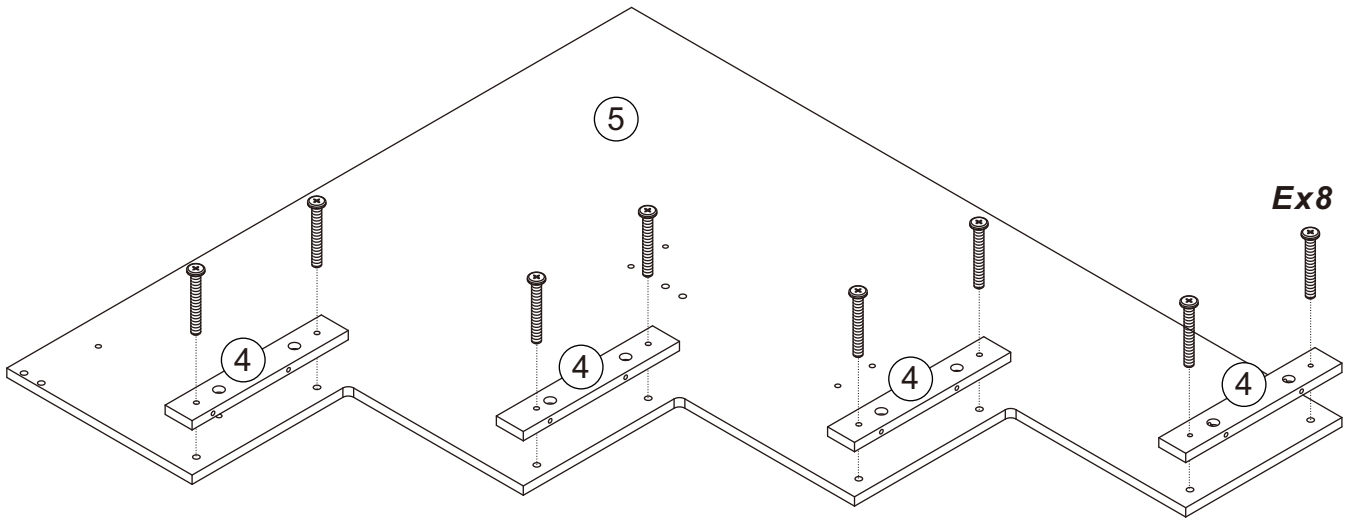
**P21-P39**



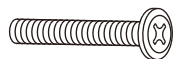


<p><b>Ax40</b></p> 	<p><b>Bx4</b></p> 	<p><b>Cx12</b></p>  <p>M7*38</p>	<p><b>Dx4</b></p> 
<p><b>Ex22</b></p>  <p>M6*25</p>	<p><b>Fx40</b></p>  <p>3.5*13</p>	<p><b>Gx16</b></p>  <p>3.5*35</p>	<p><b>Hx8</b></p>  <p>M4*10</p>
<p><b>Ix10</b></p> 	<p><b>Jx4</b></p> 	<p><b>Kx4</b></p> 	<p><b>Lx8</b></p> 
<p><b>Mx6</b></p> 	<p><b>Nx1</b></p> 		

1.

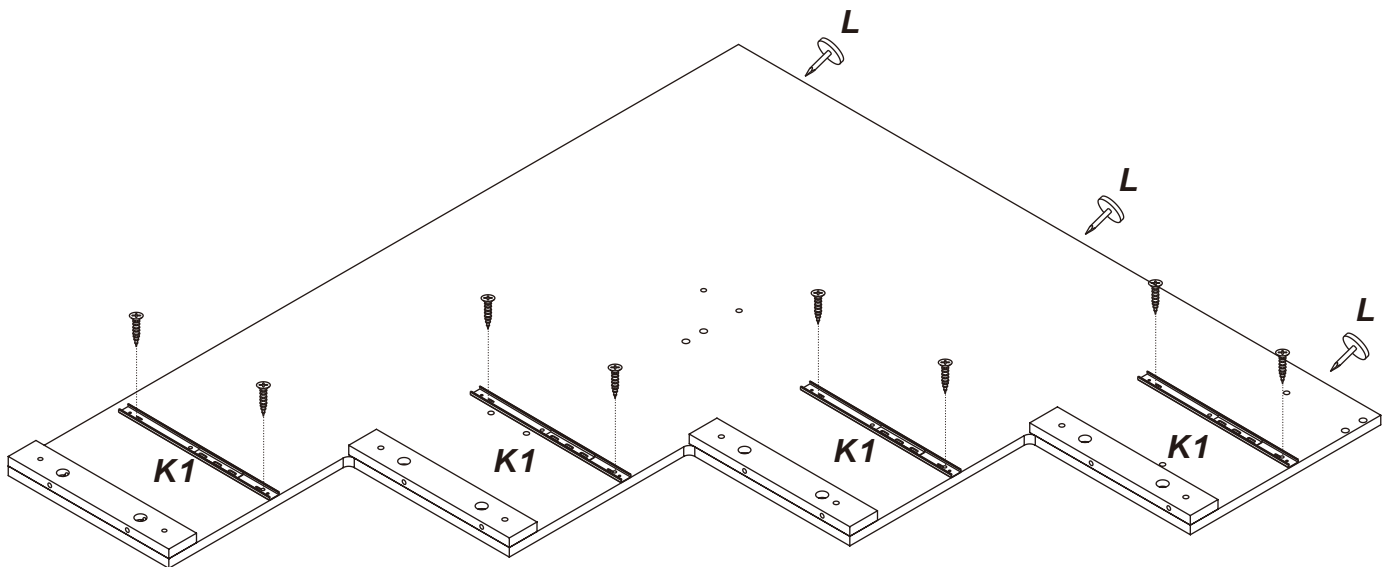
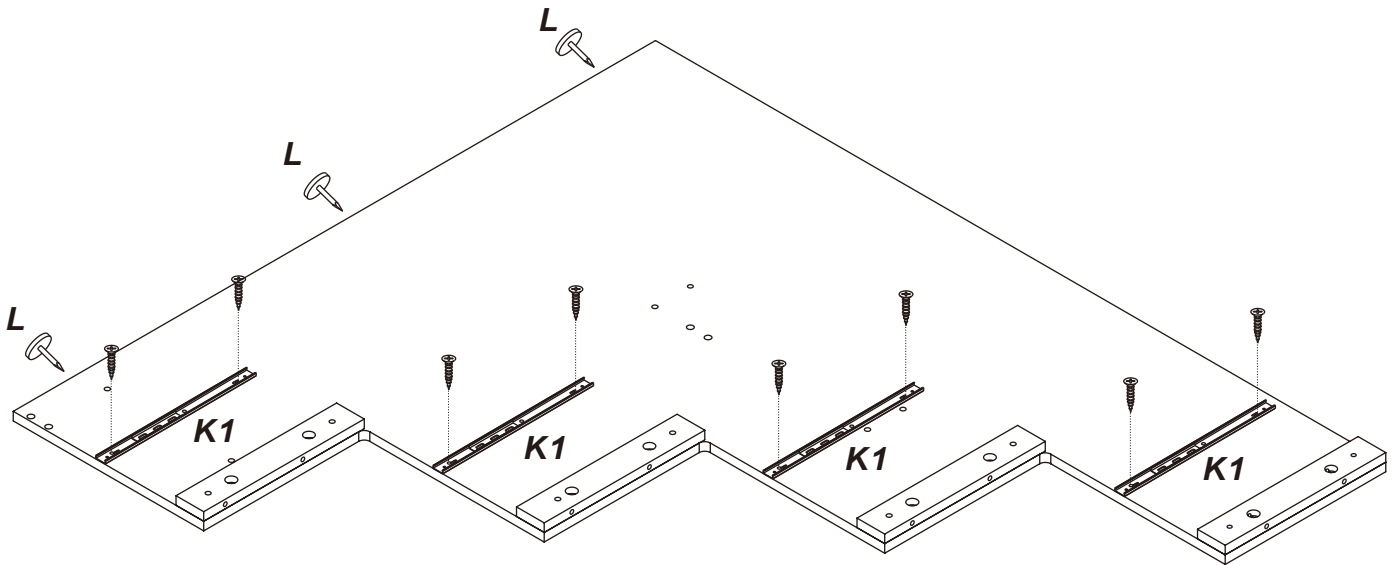
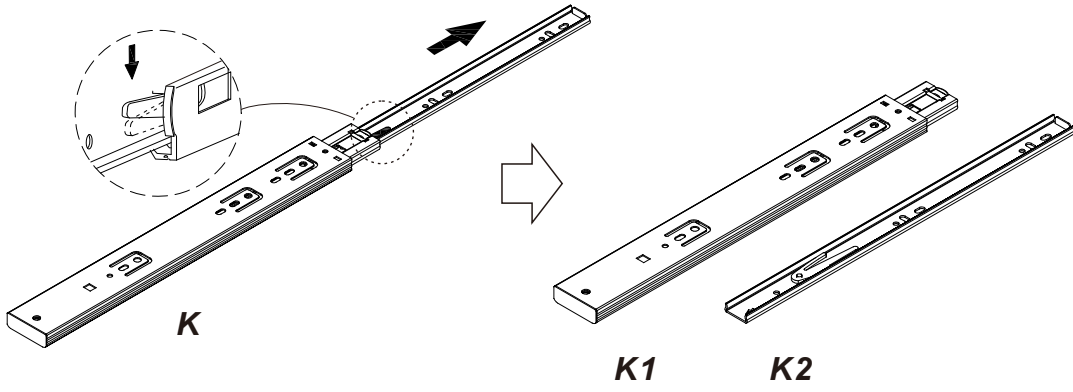



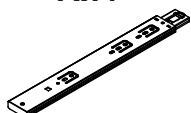

**Ex16**



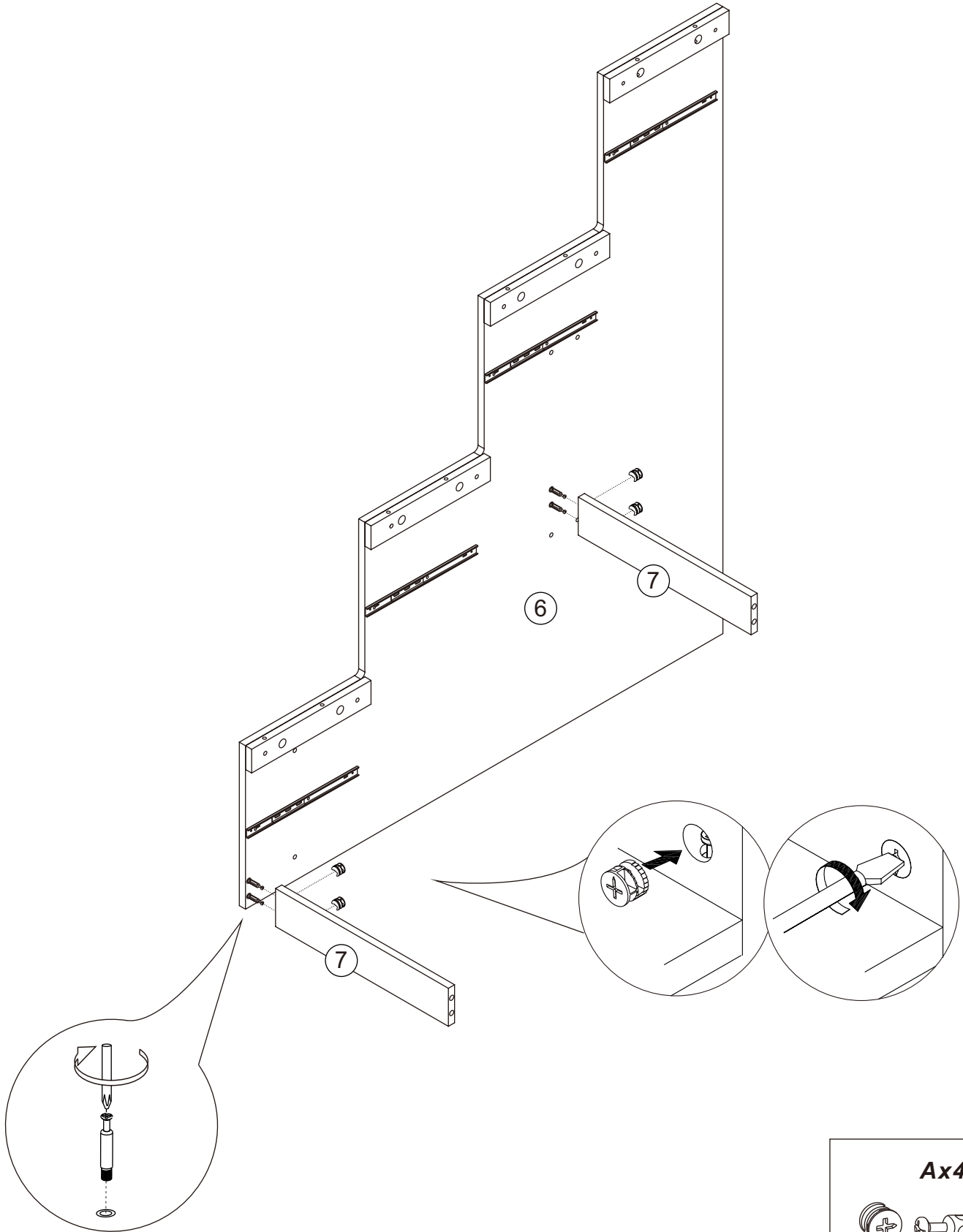
M6\*25

2.

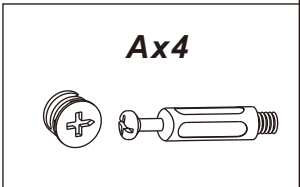
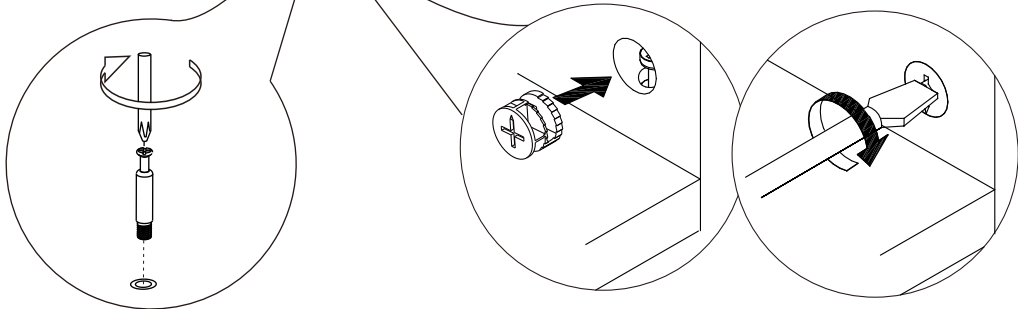
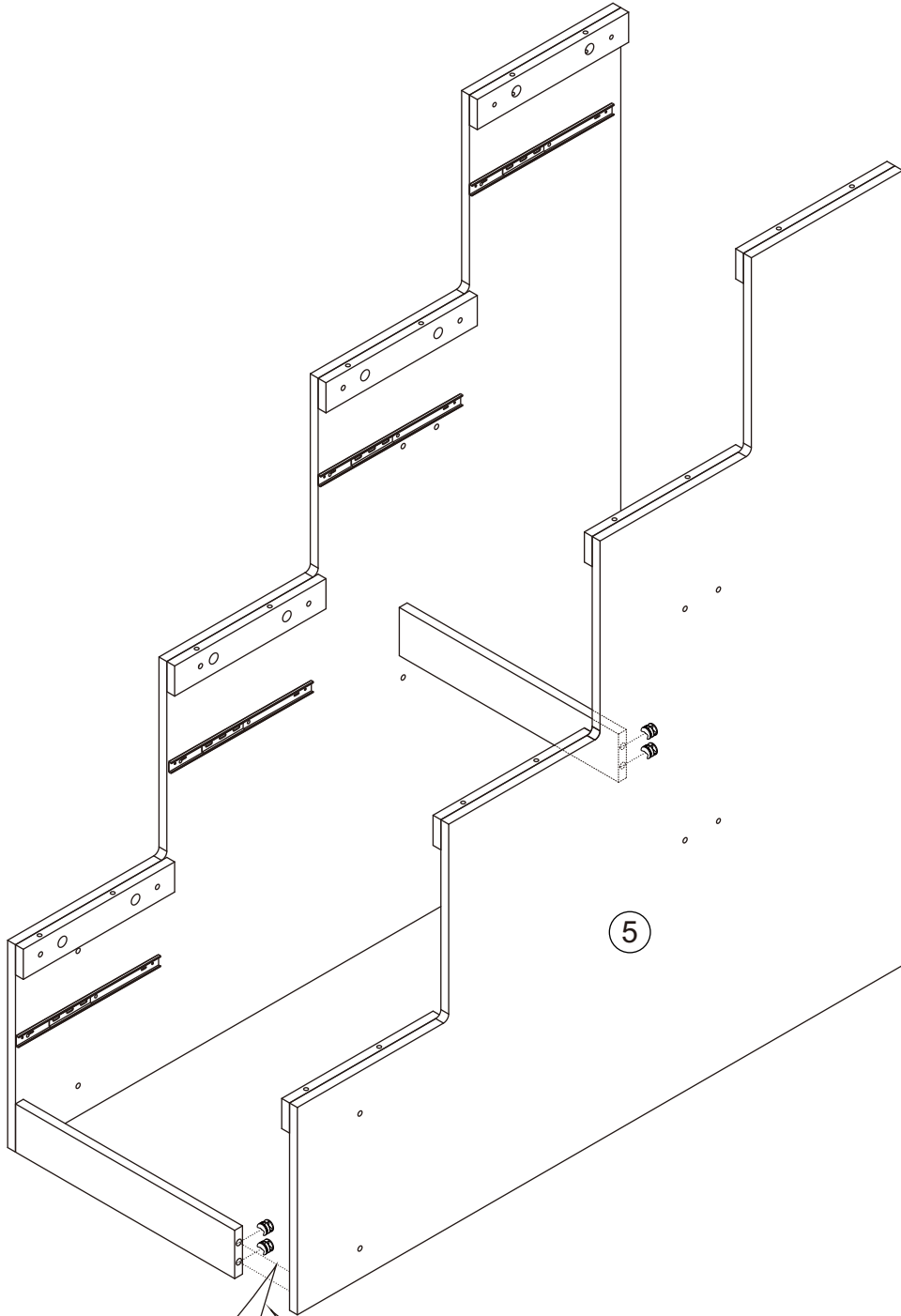


<b>Fx16</b>	<b>Kx4</b>	<b>Lx6</b>
		
3.5*13		

3.

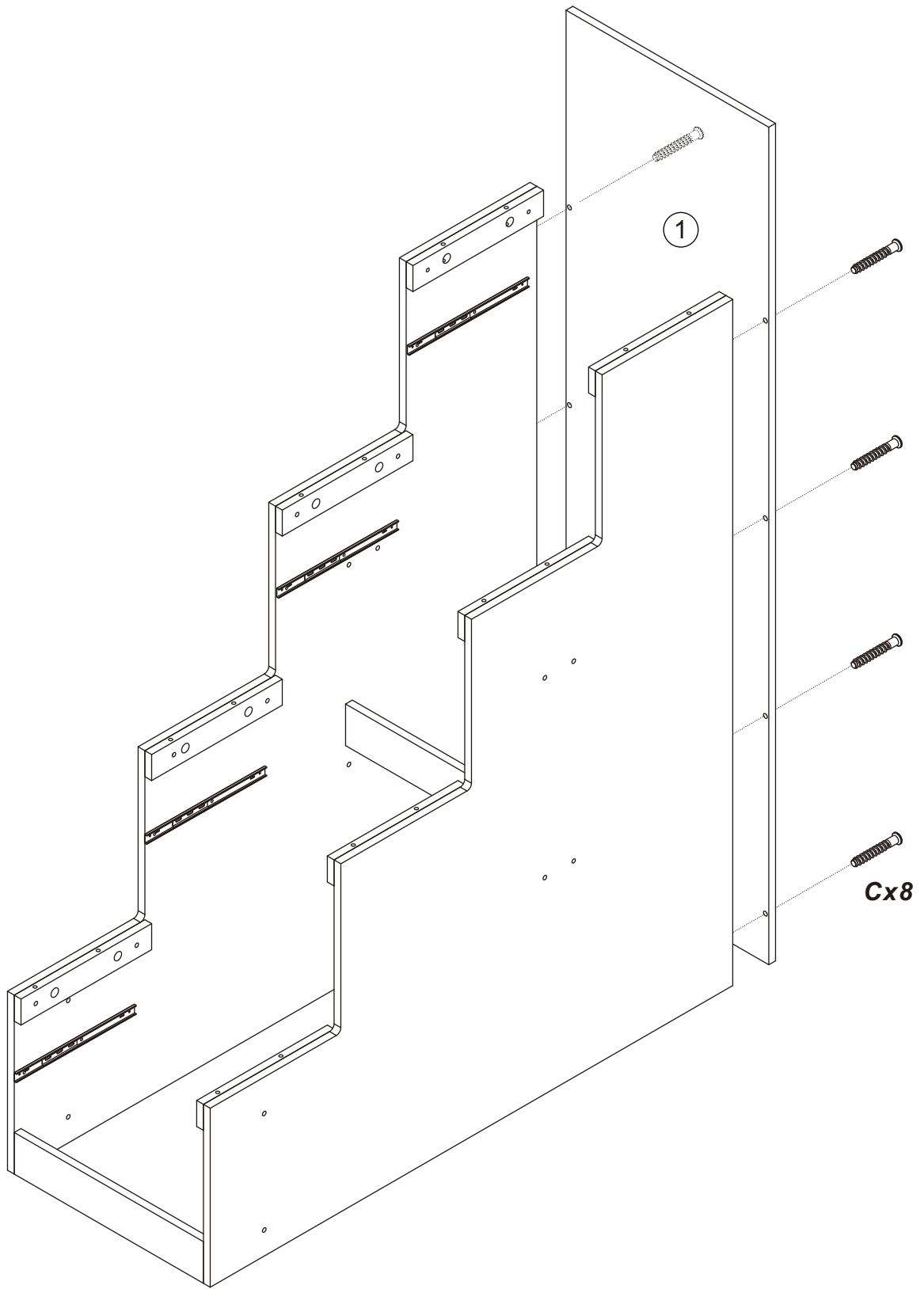


4.

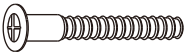




# 5.

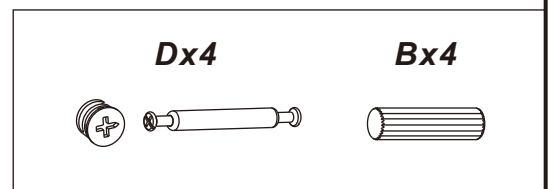
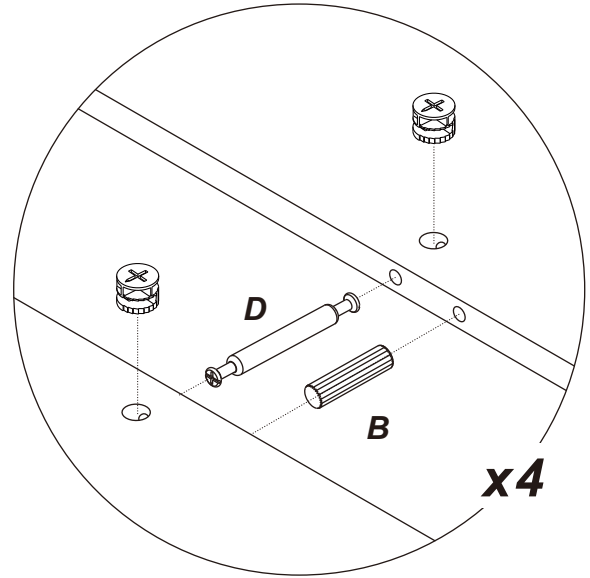
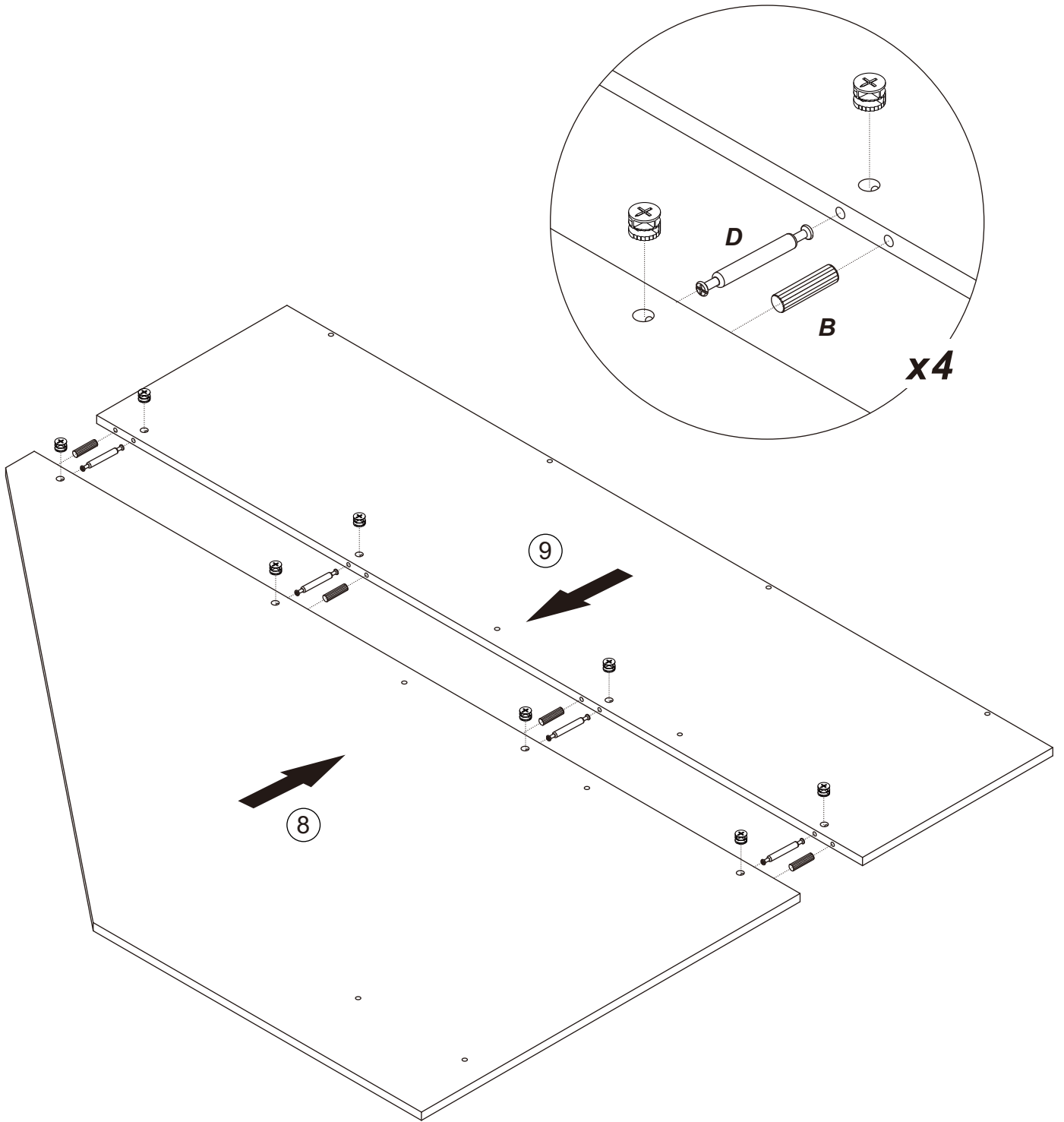


**Cx8**

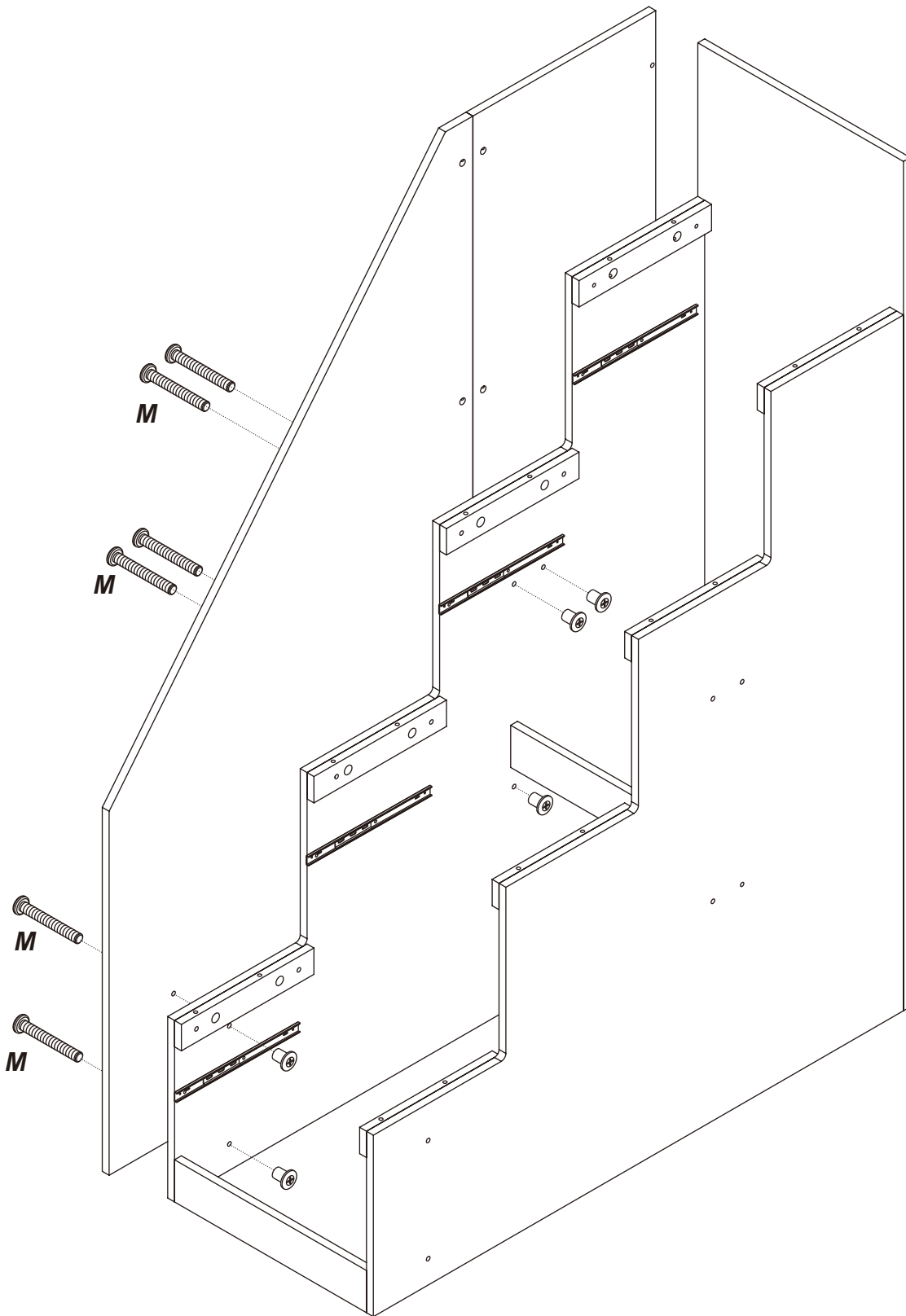


**M7\*38**

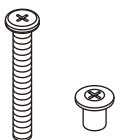
6.



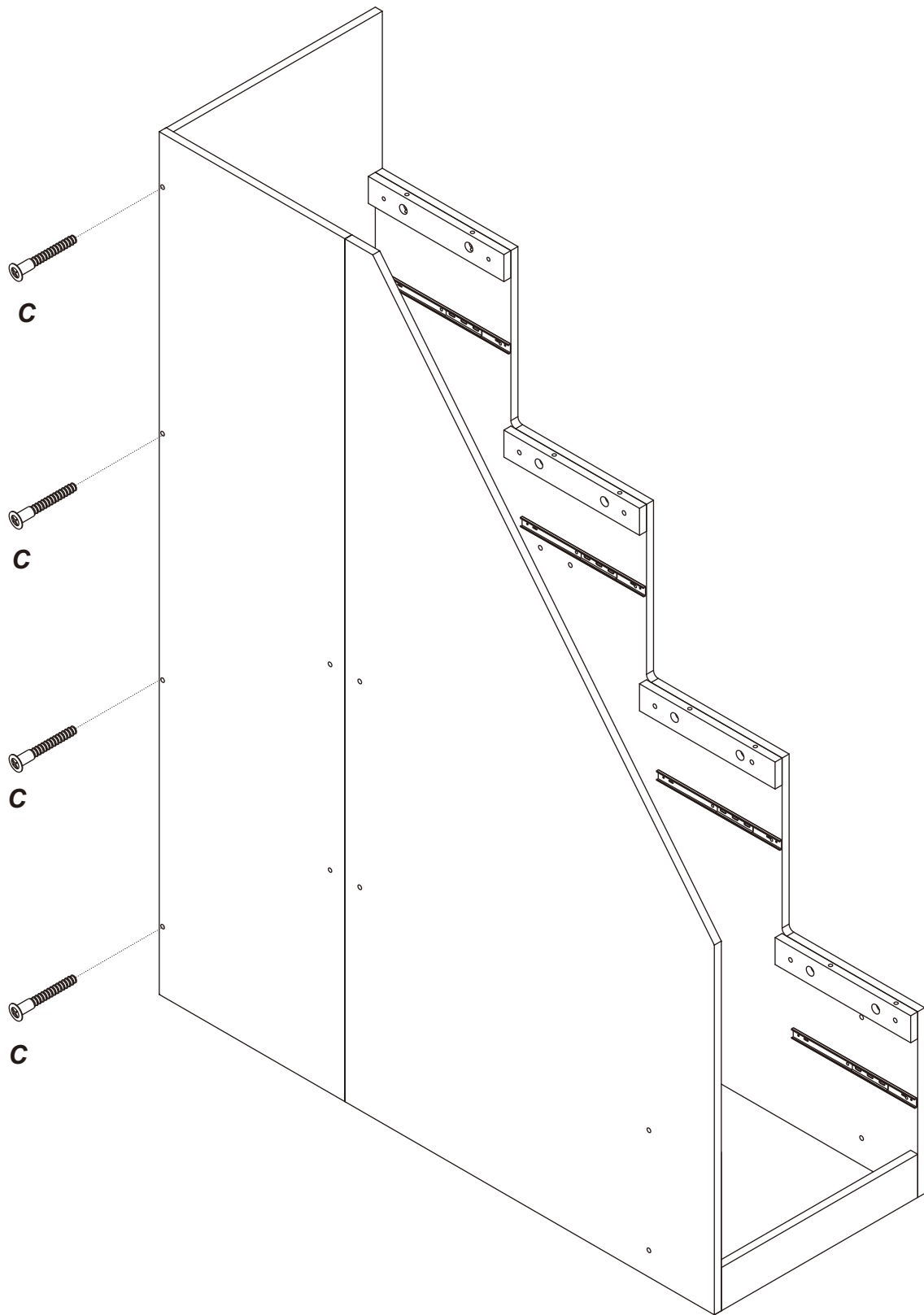
7.



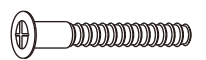
Mx6



8.

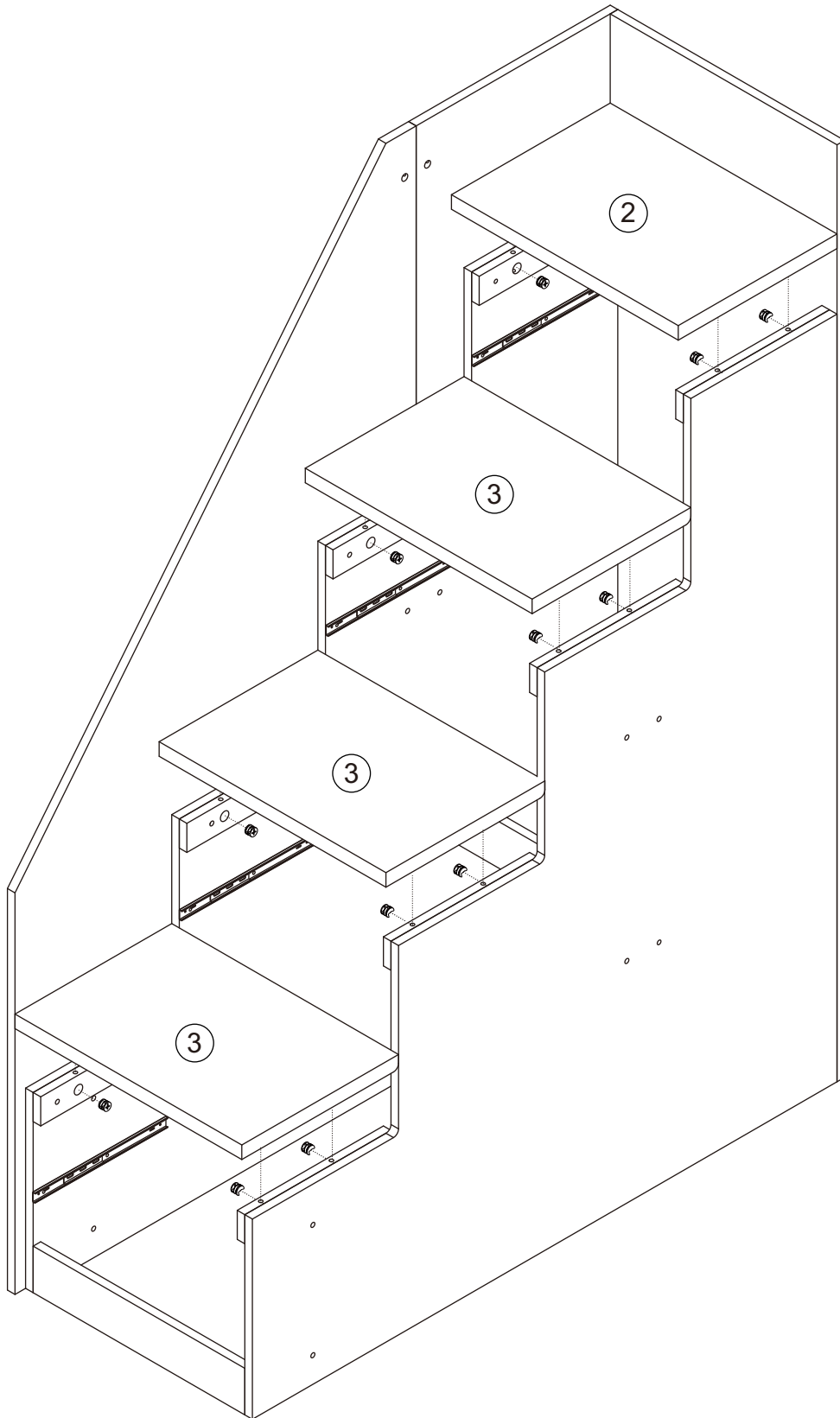


**Cx4**

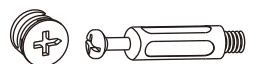


**M7\*38**

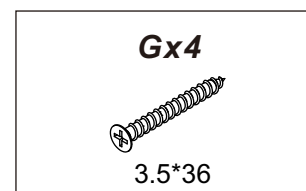
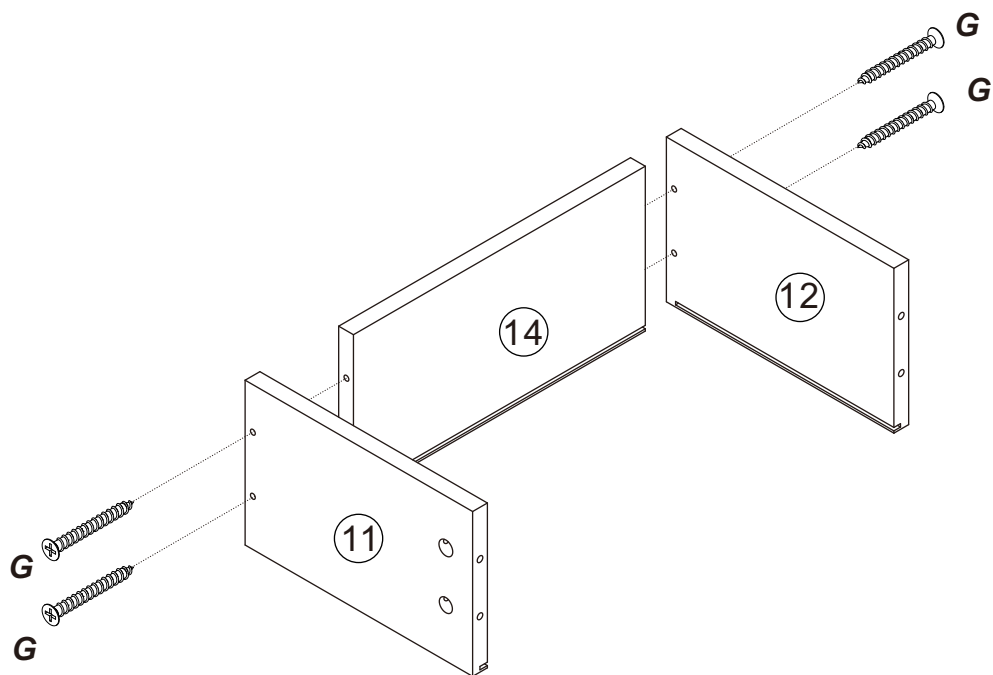
9.



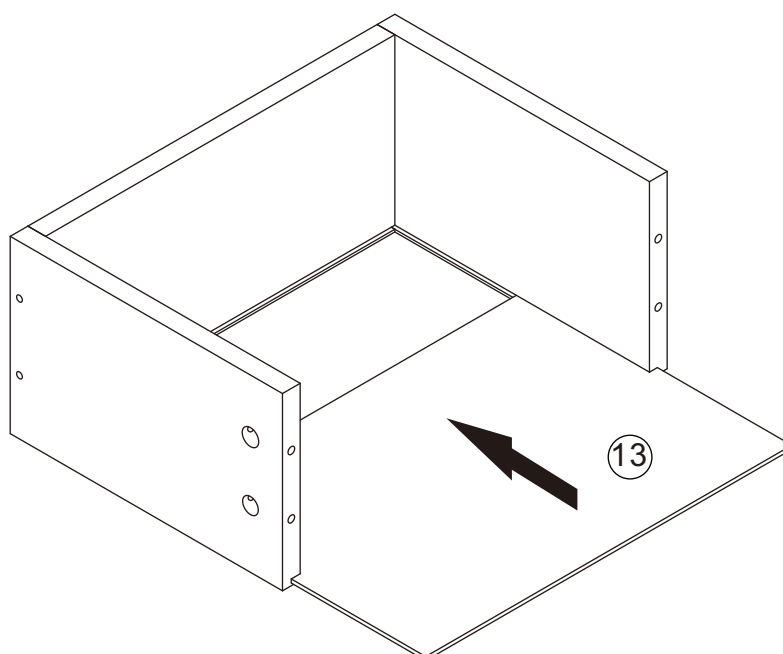
**Ax16**



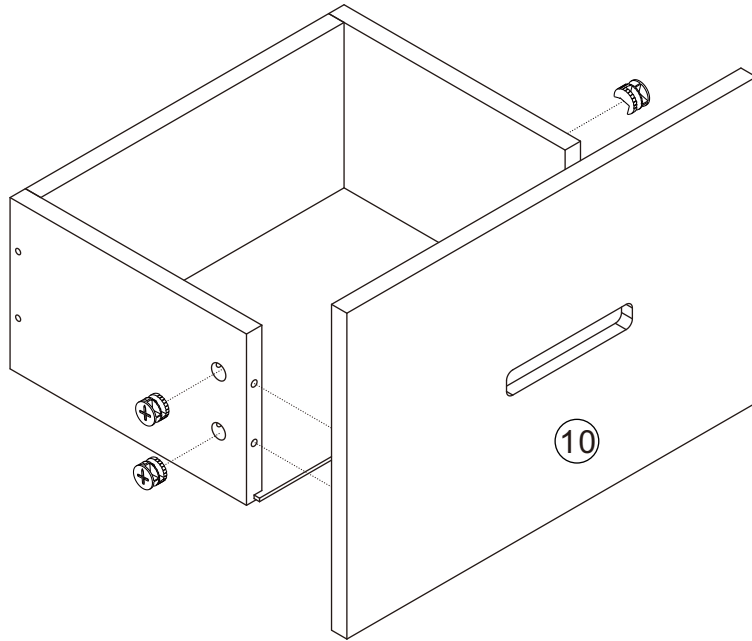
10.



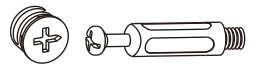
11.



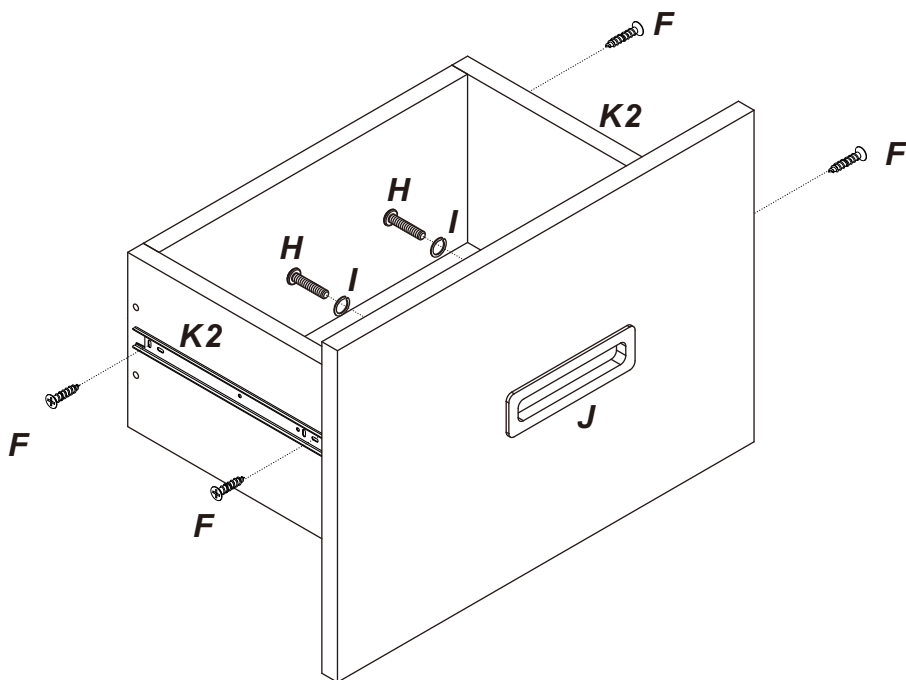
12.



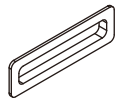
Ax4



13.



Jx1



Jx2



M4\*10

Ix2



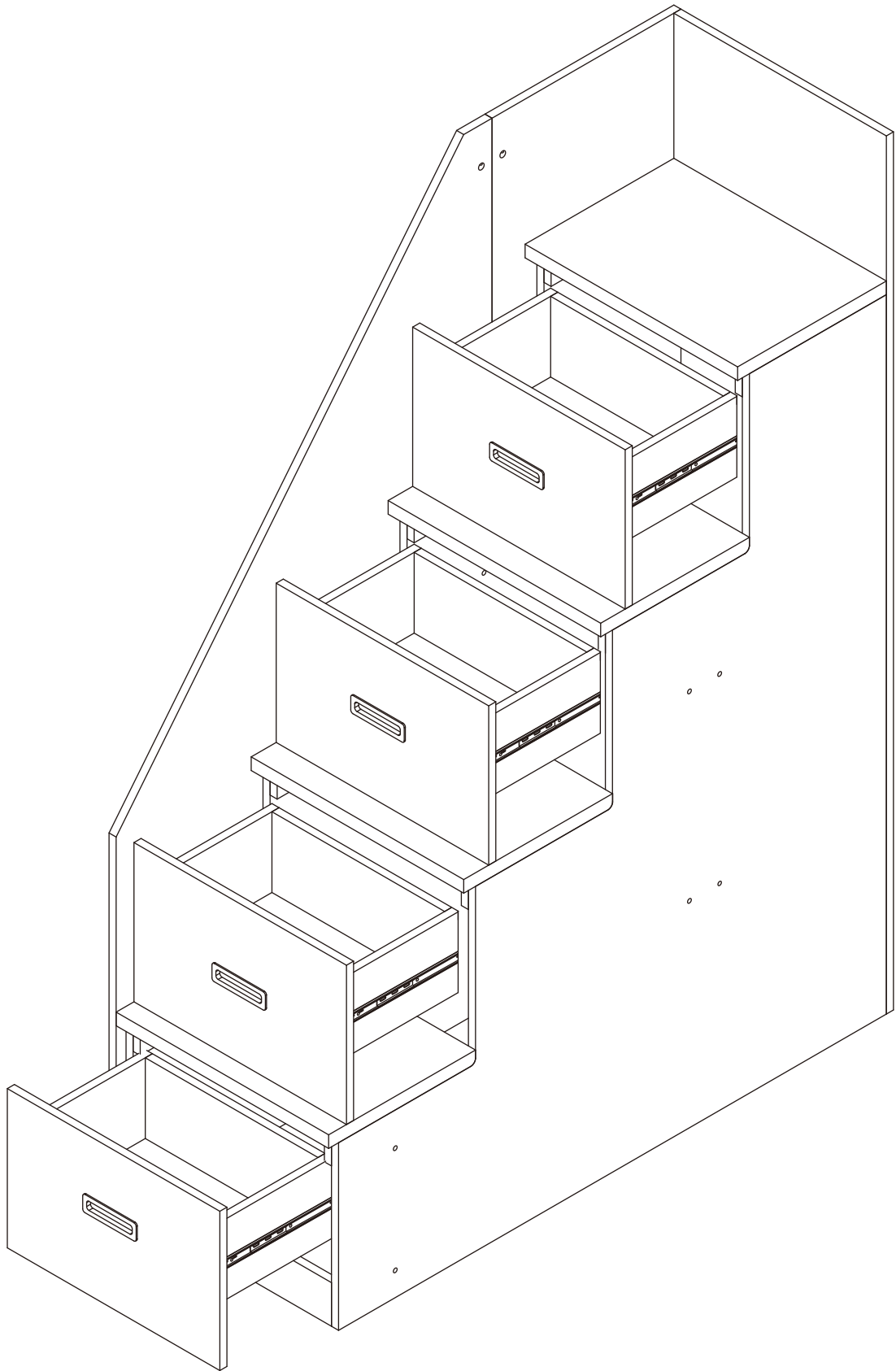
Nx6



3.5\*13

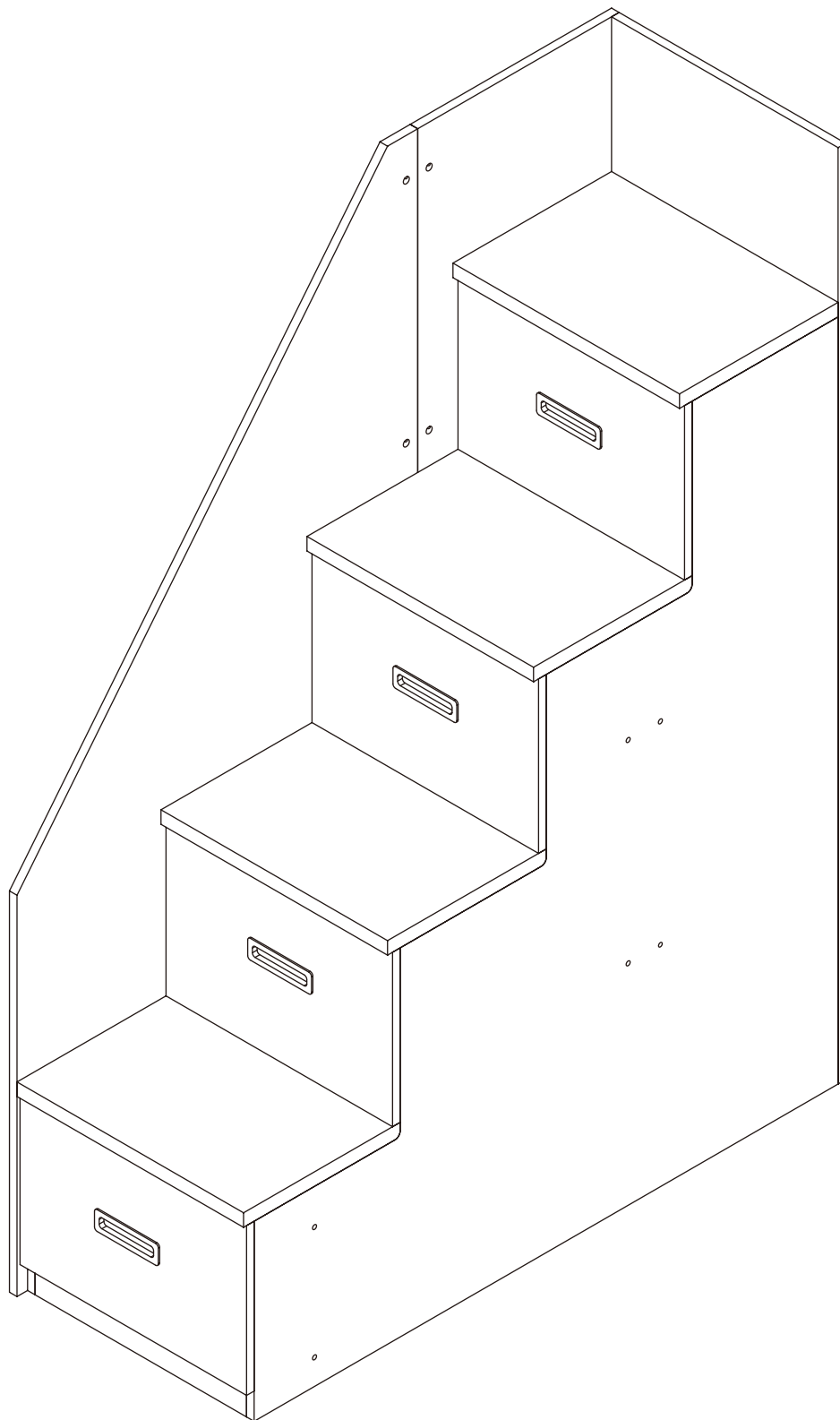
x4

14.

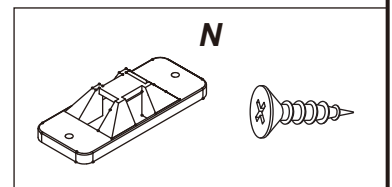
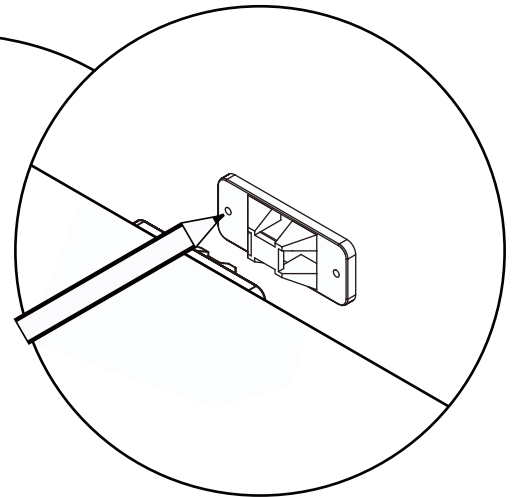
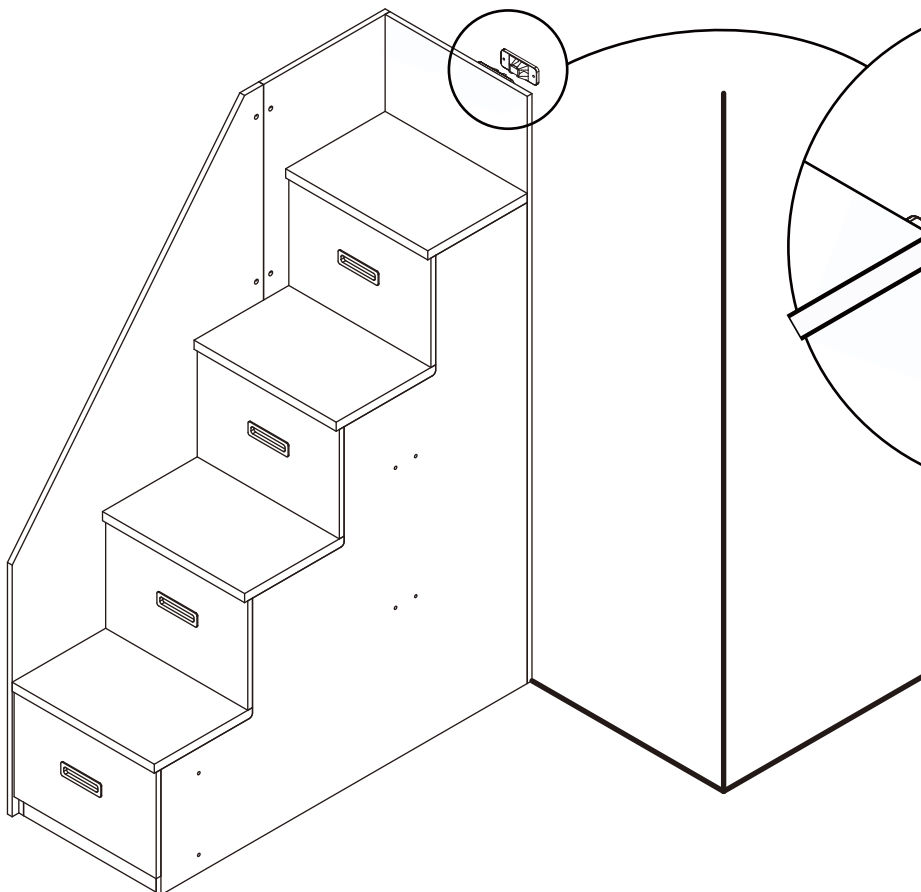
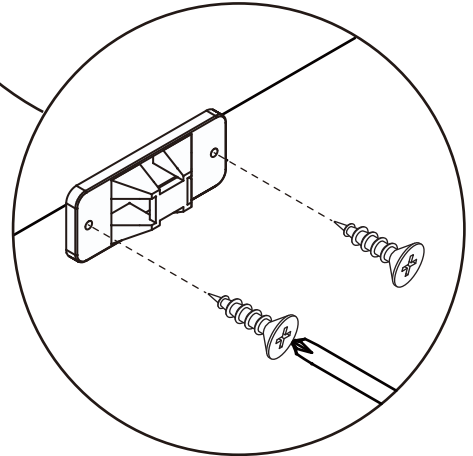
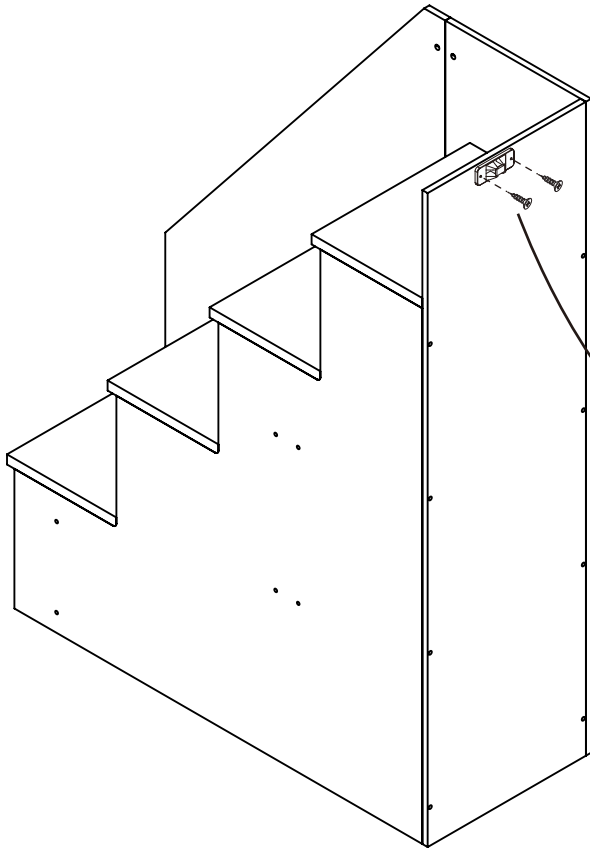




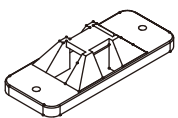
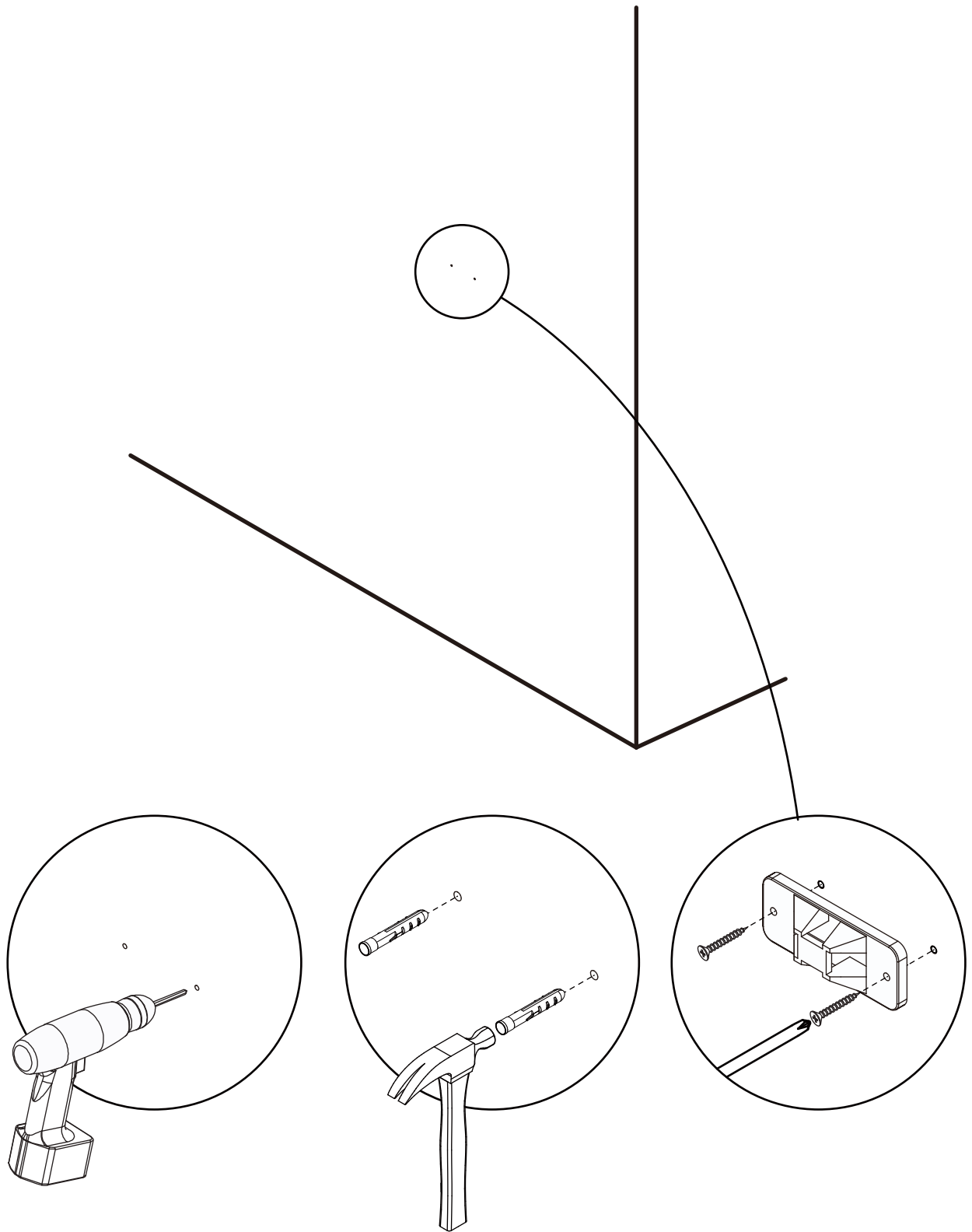
15.



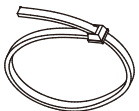
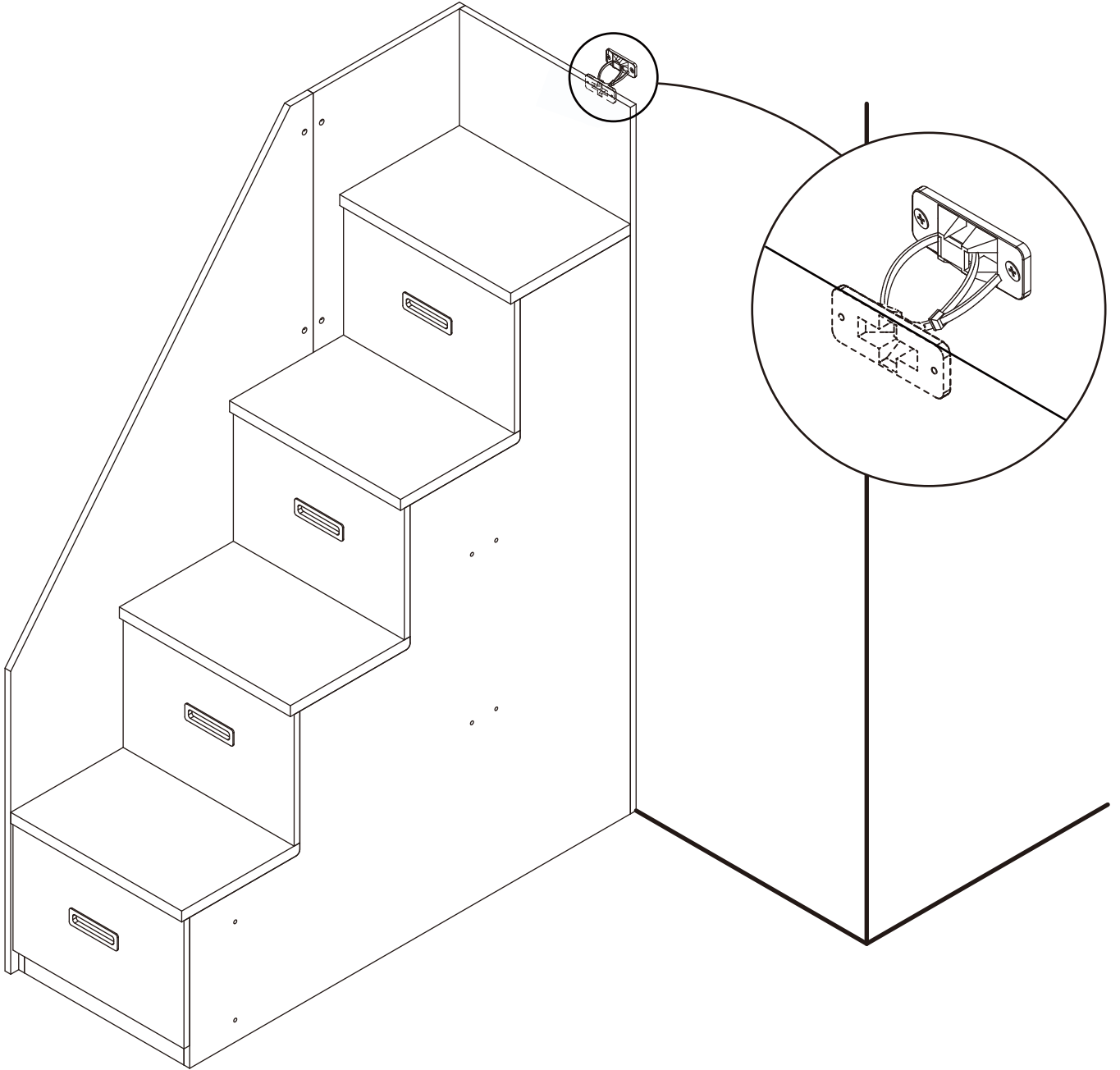
16.

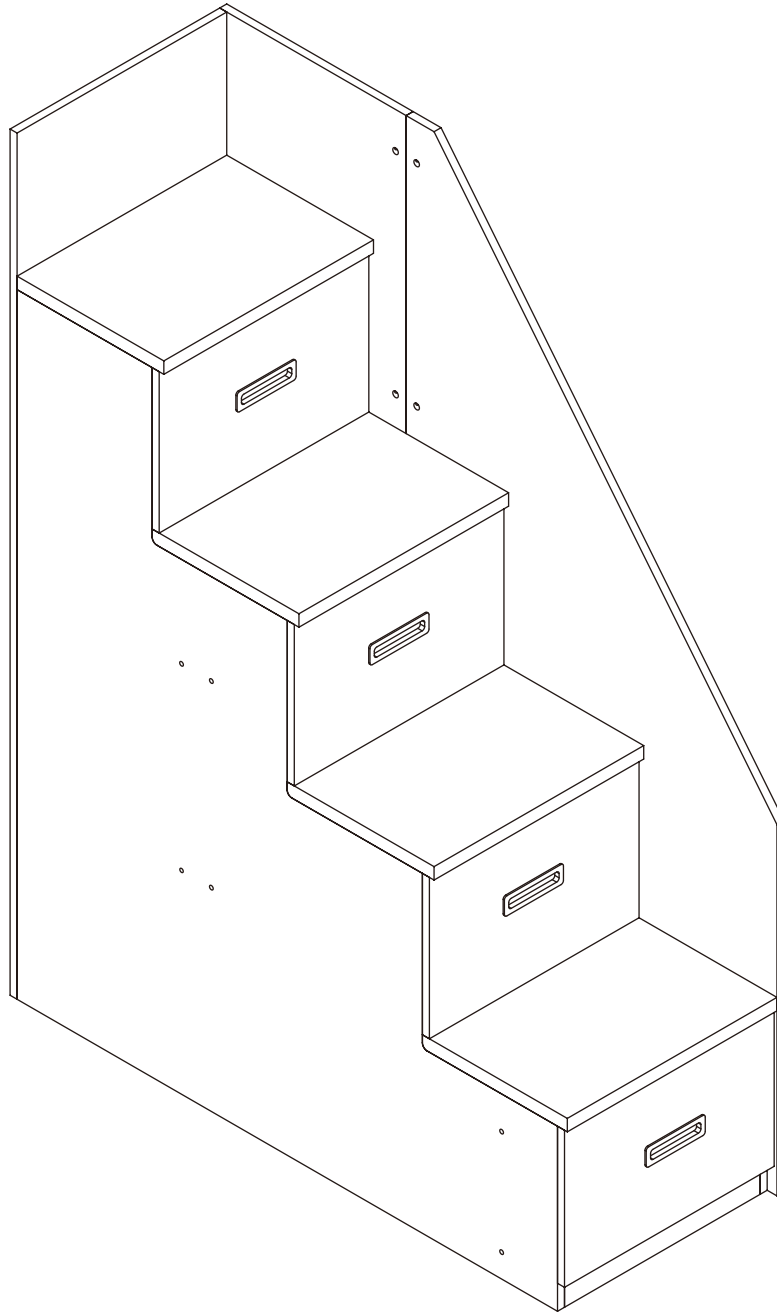


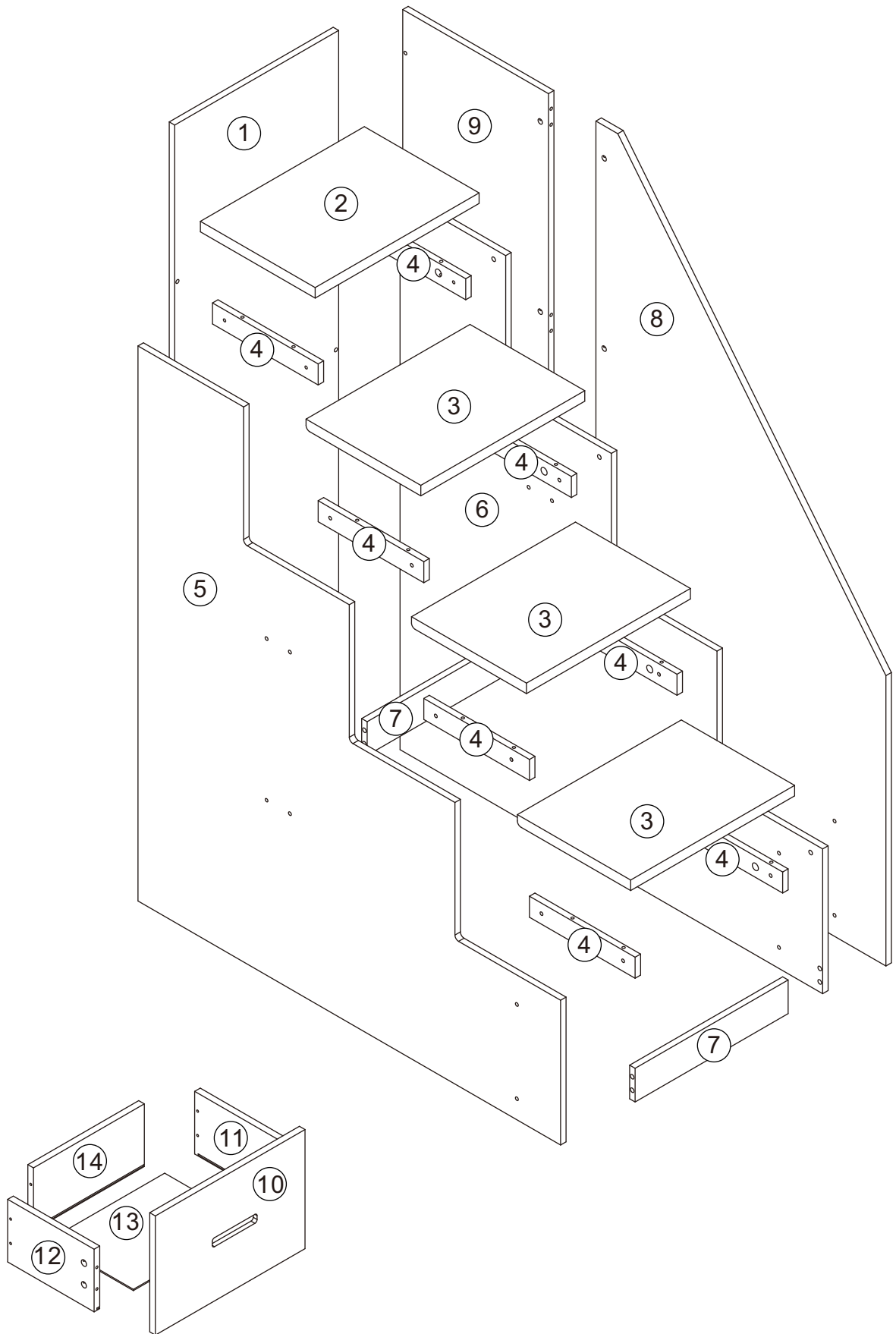
17.

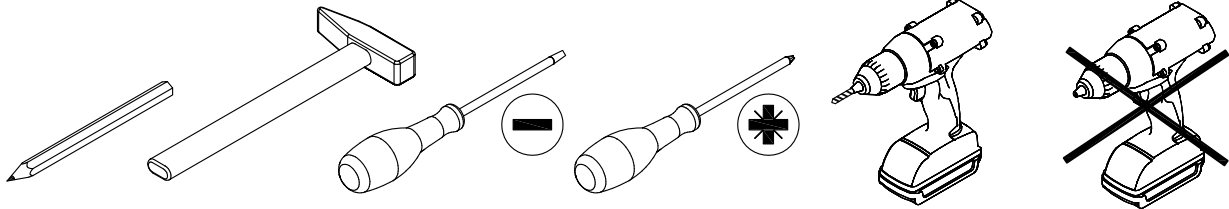
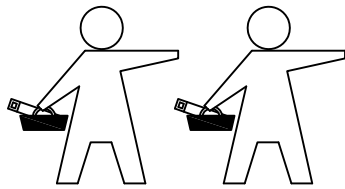


18.

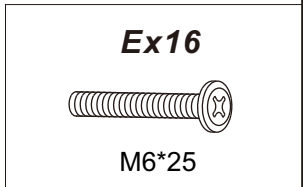
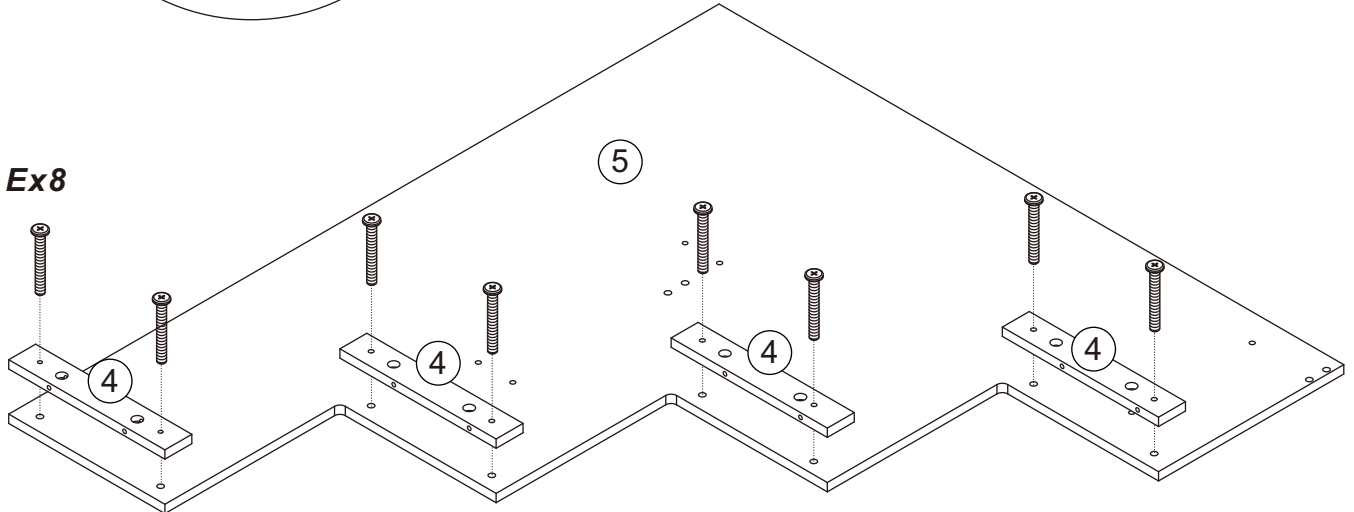
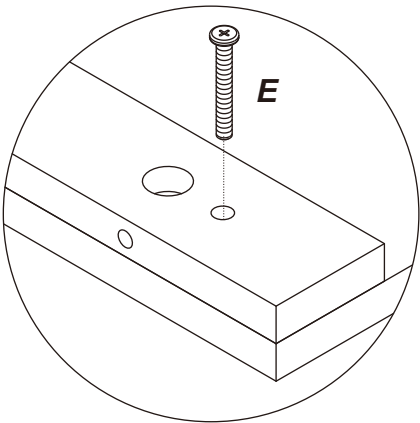
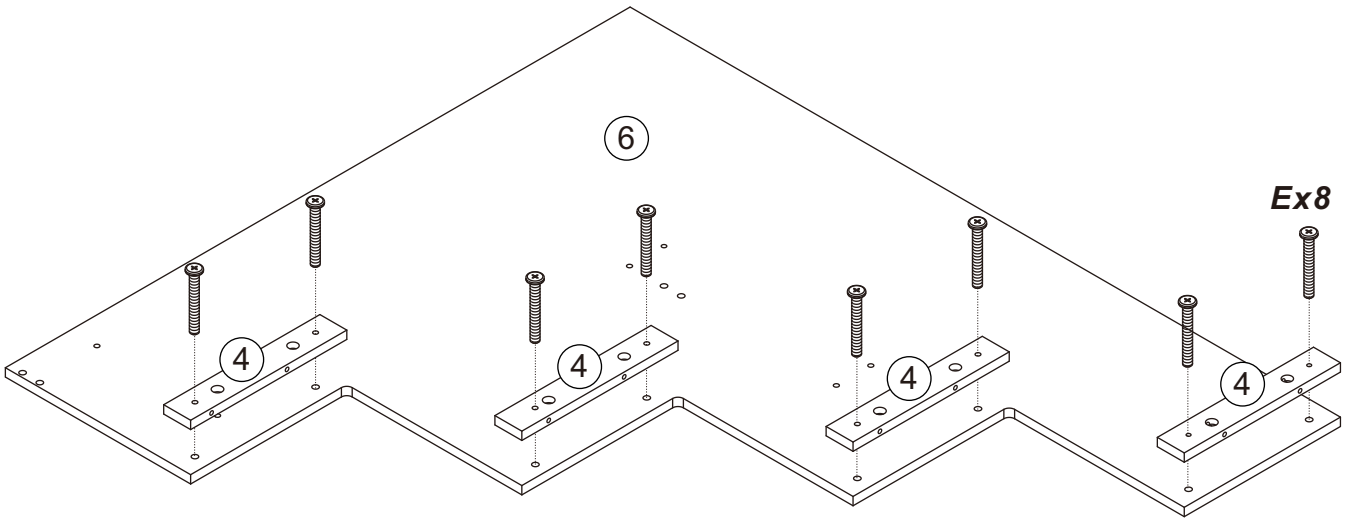






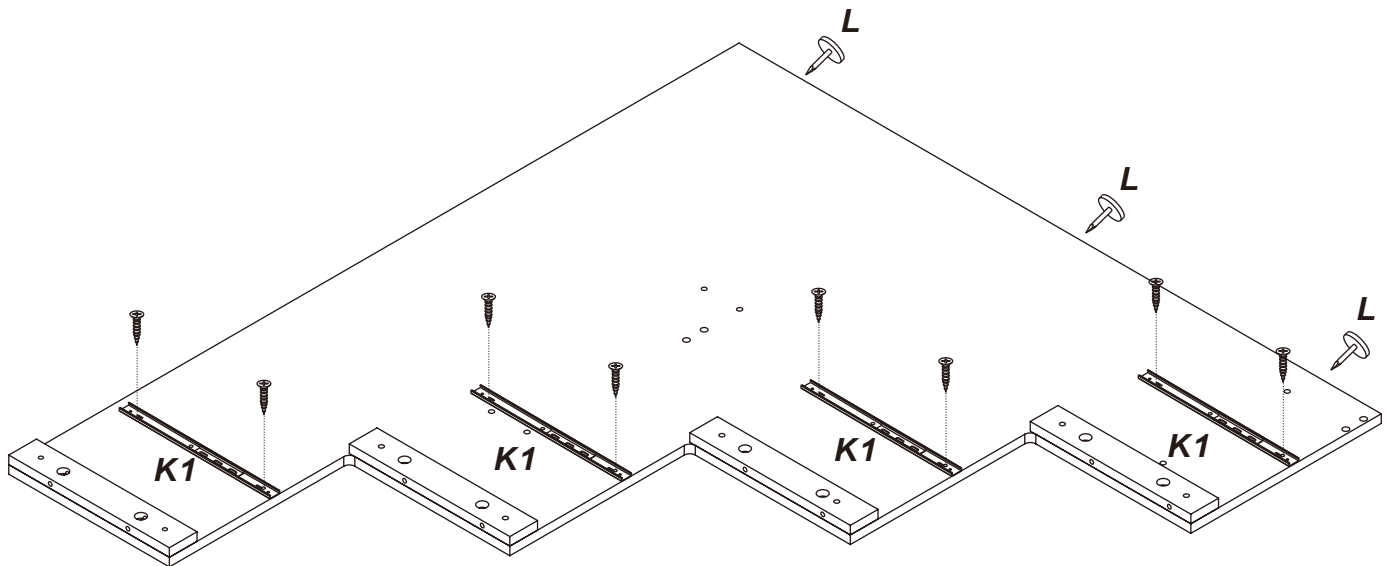
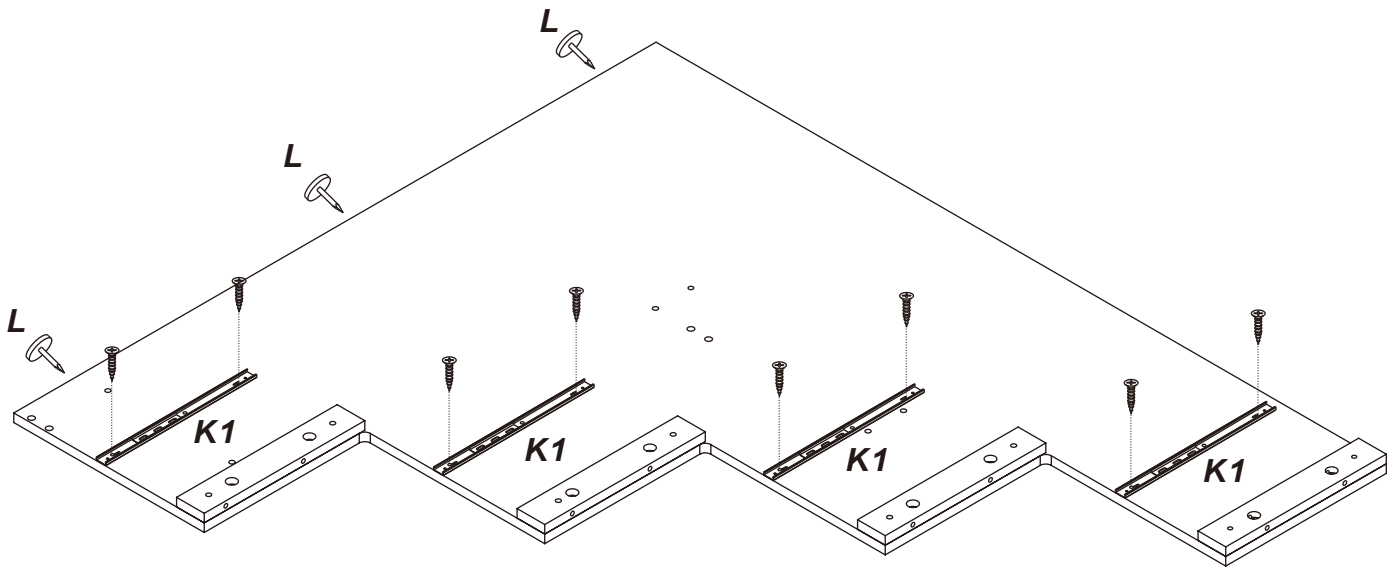
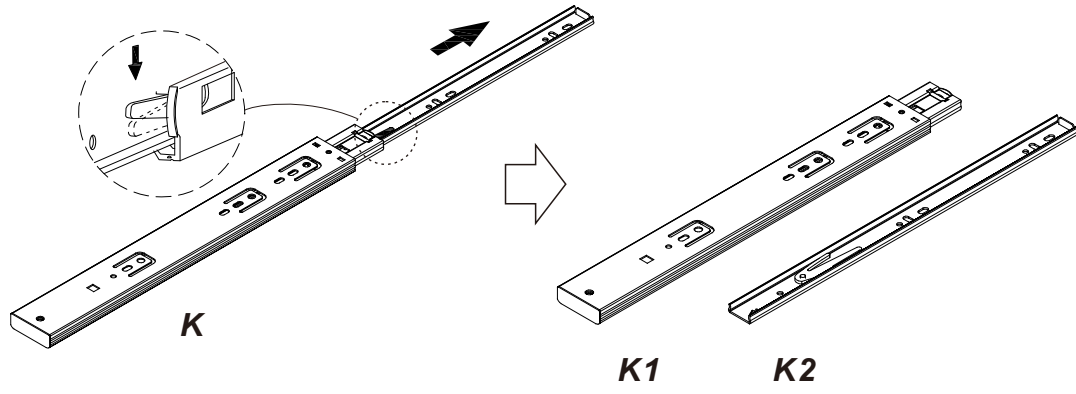



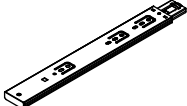

1.



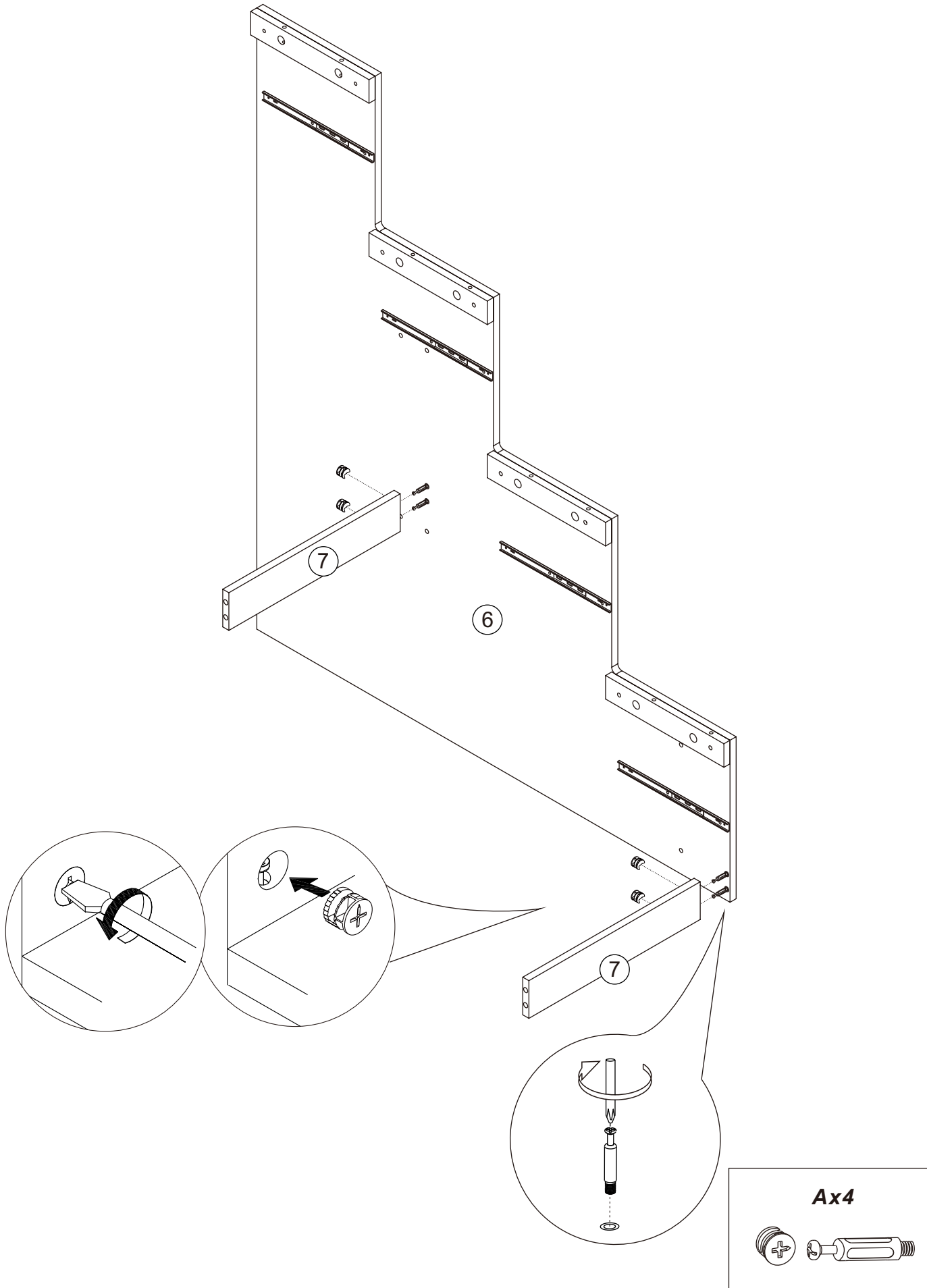


2.

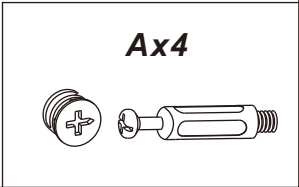
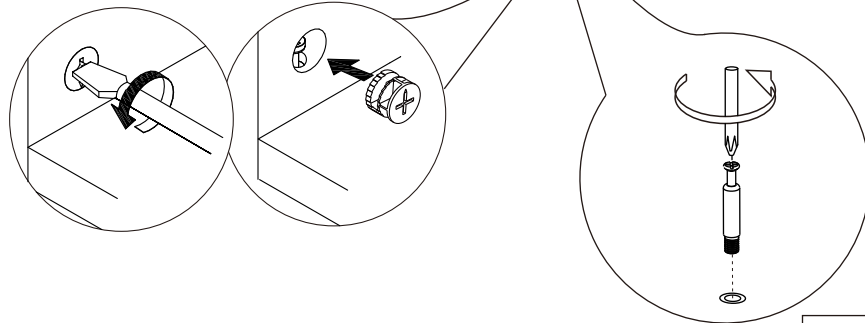
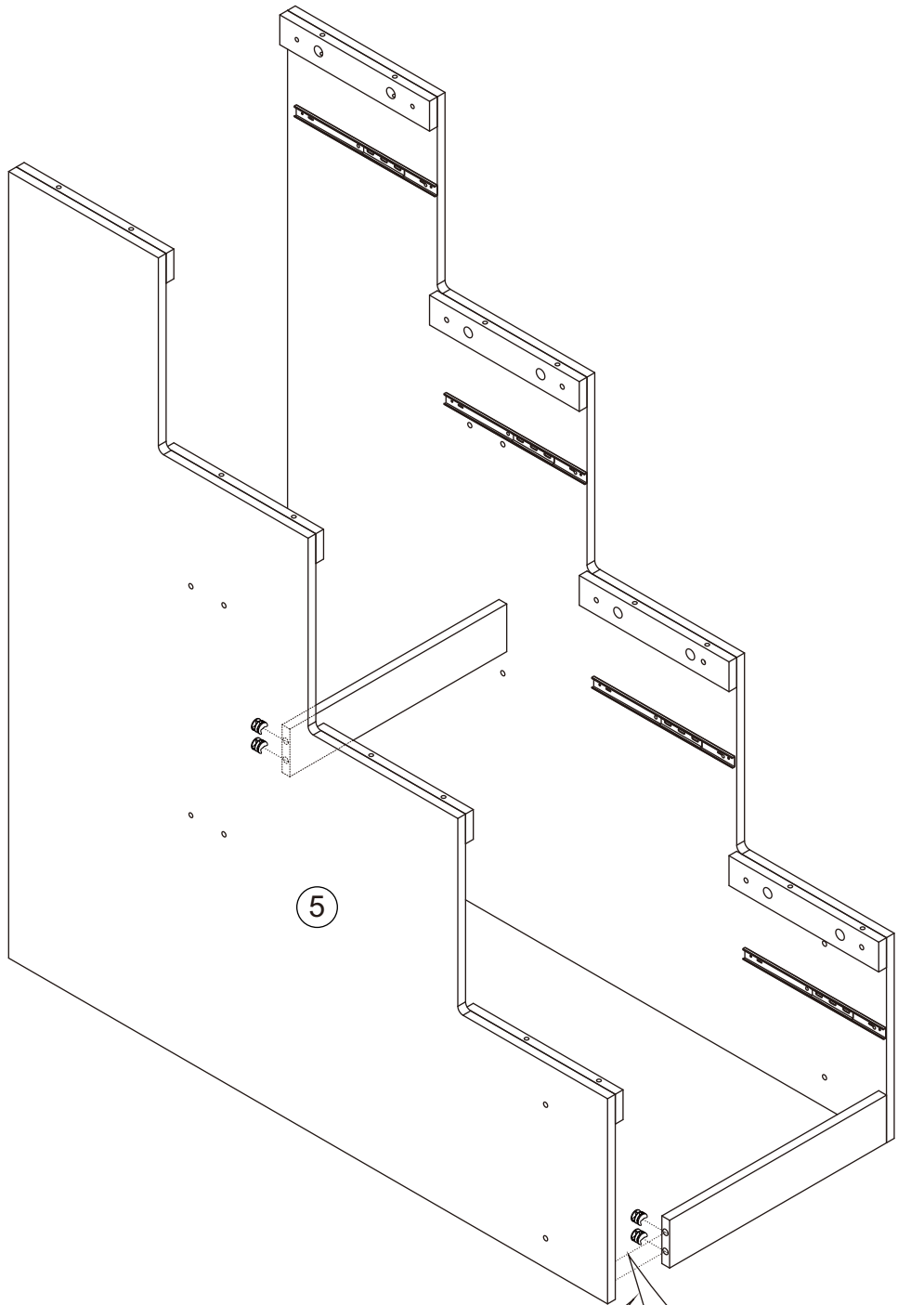


<b>Fx16</b>	<b>Kx4</b>	<b>Lx6</b>
		
3.5*13		

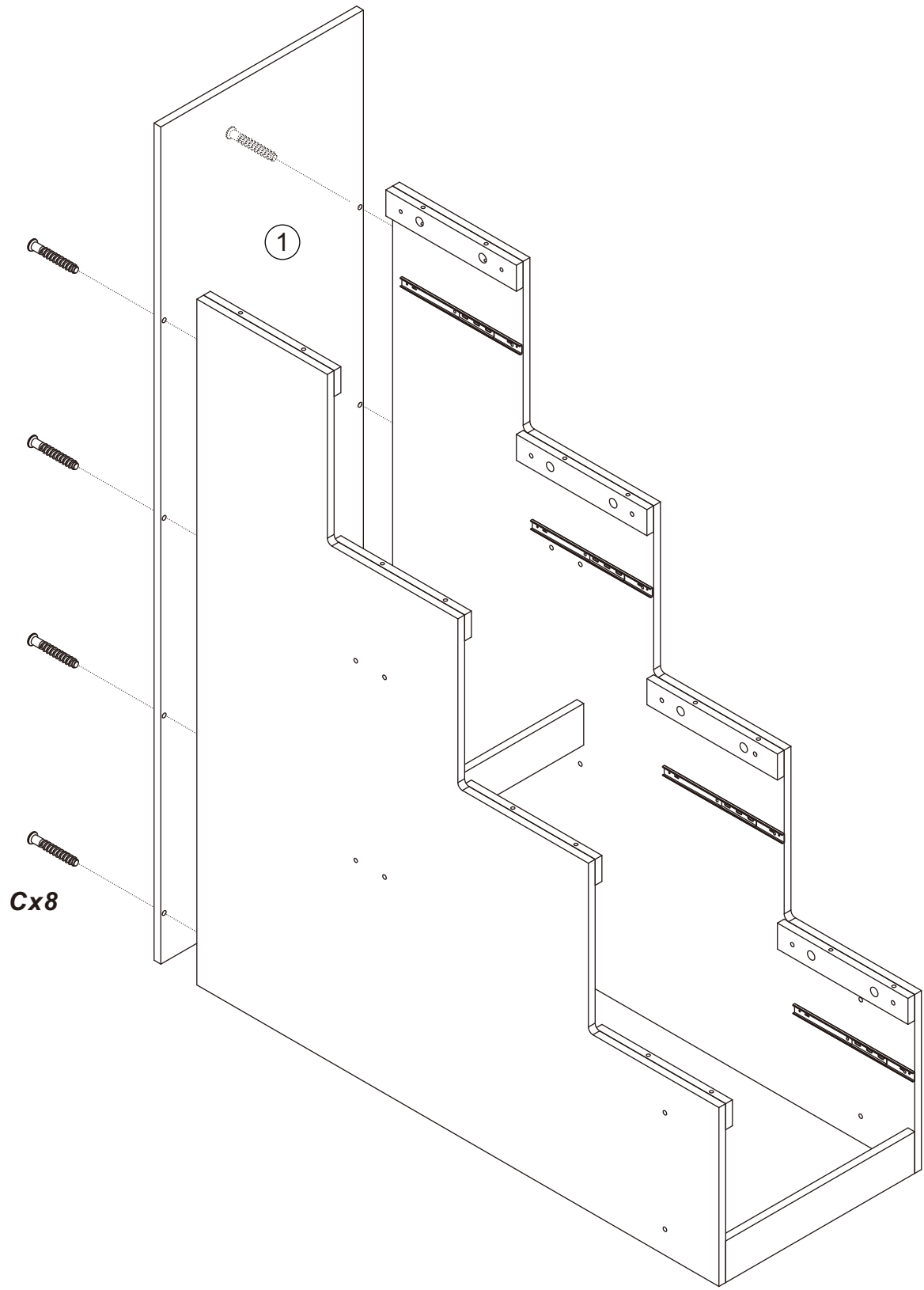
3.



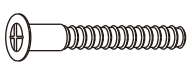
4.



# 5.

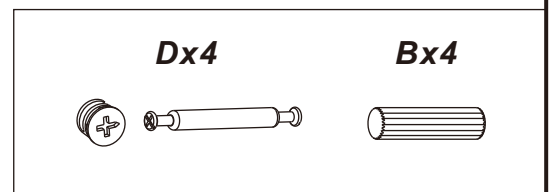
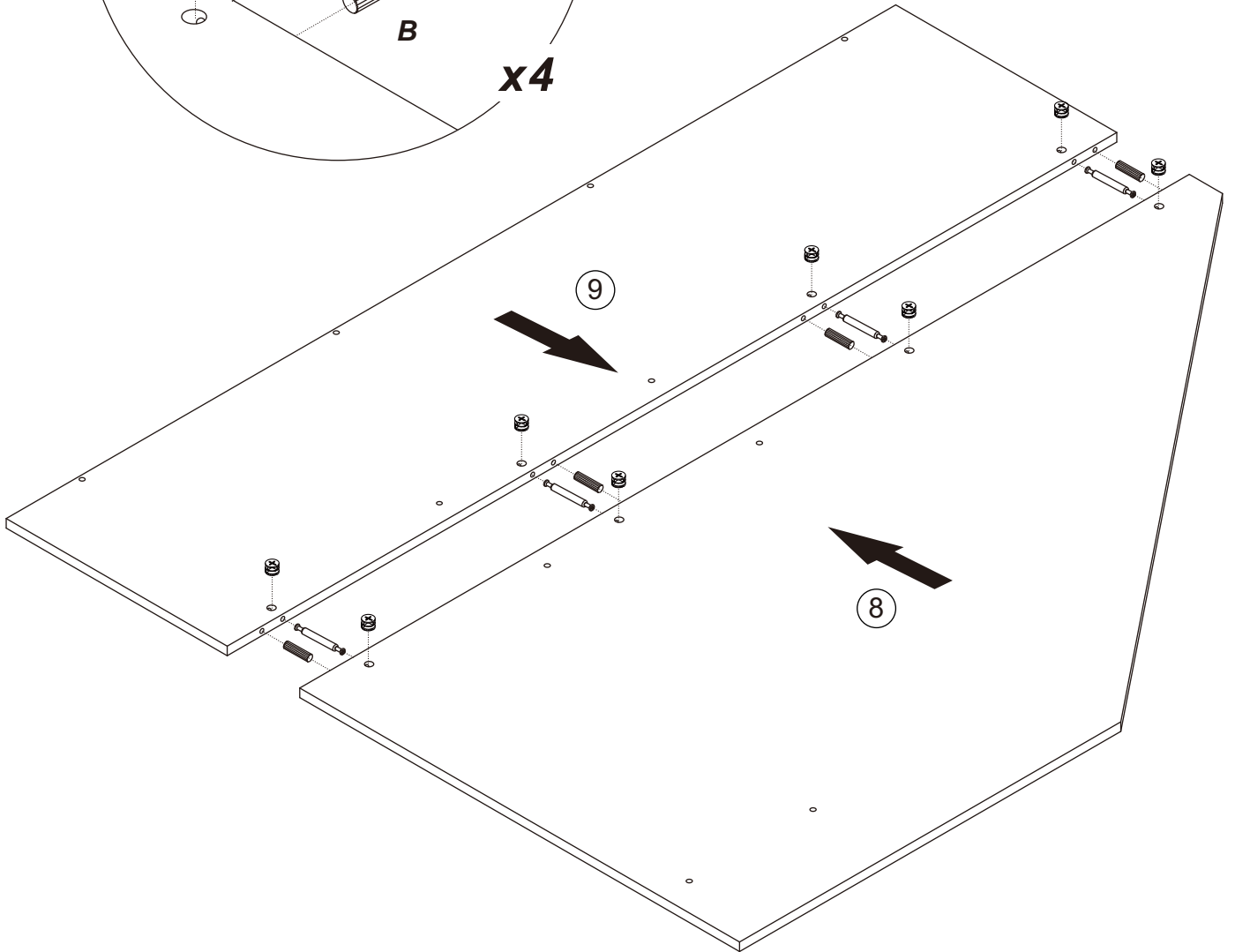
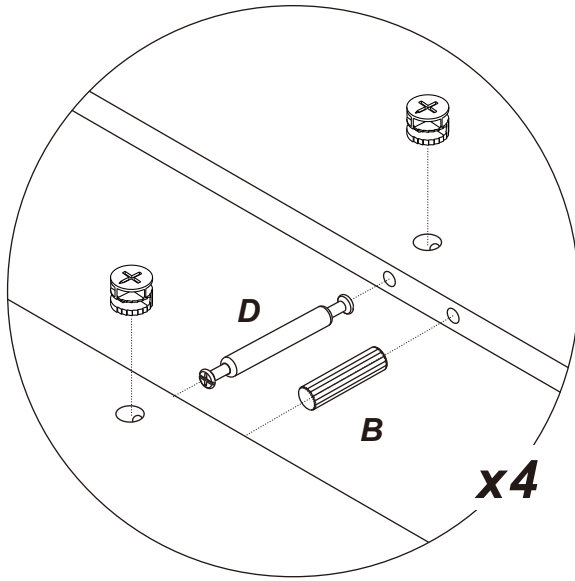


**Cx8**

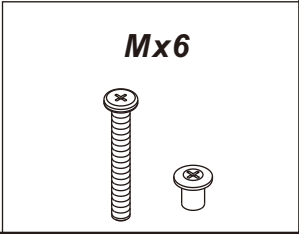
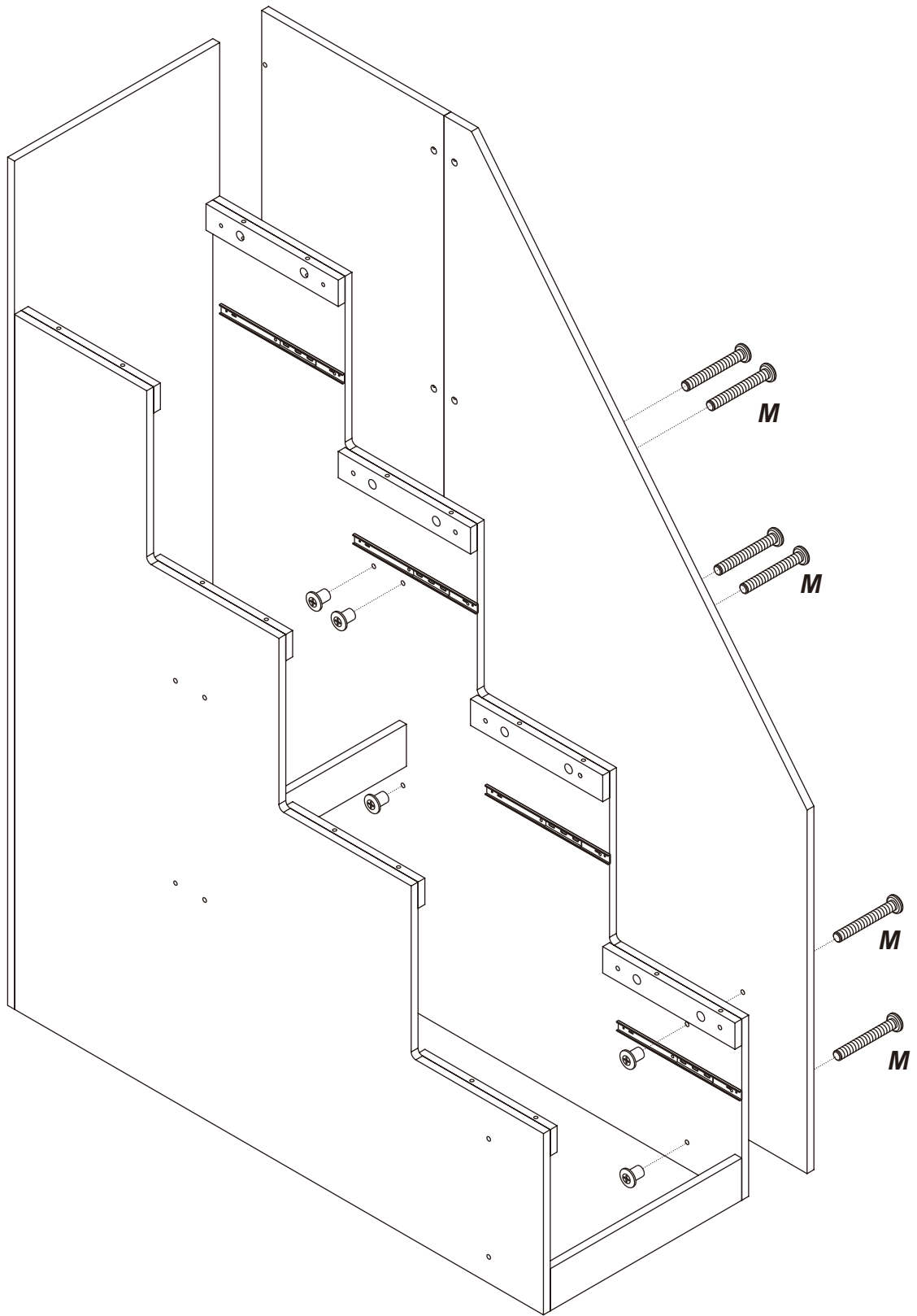


**M7\*38**

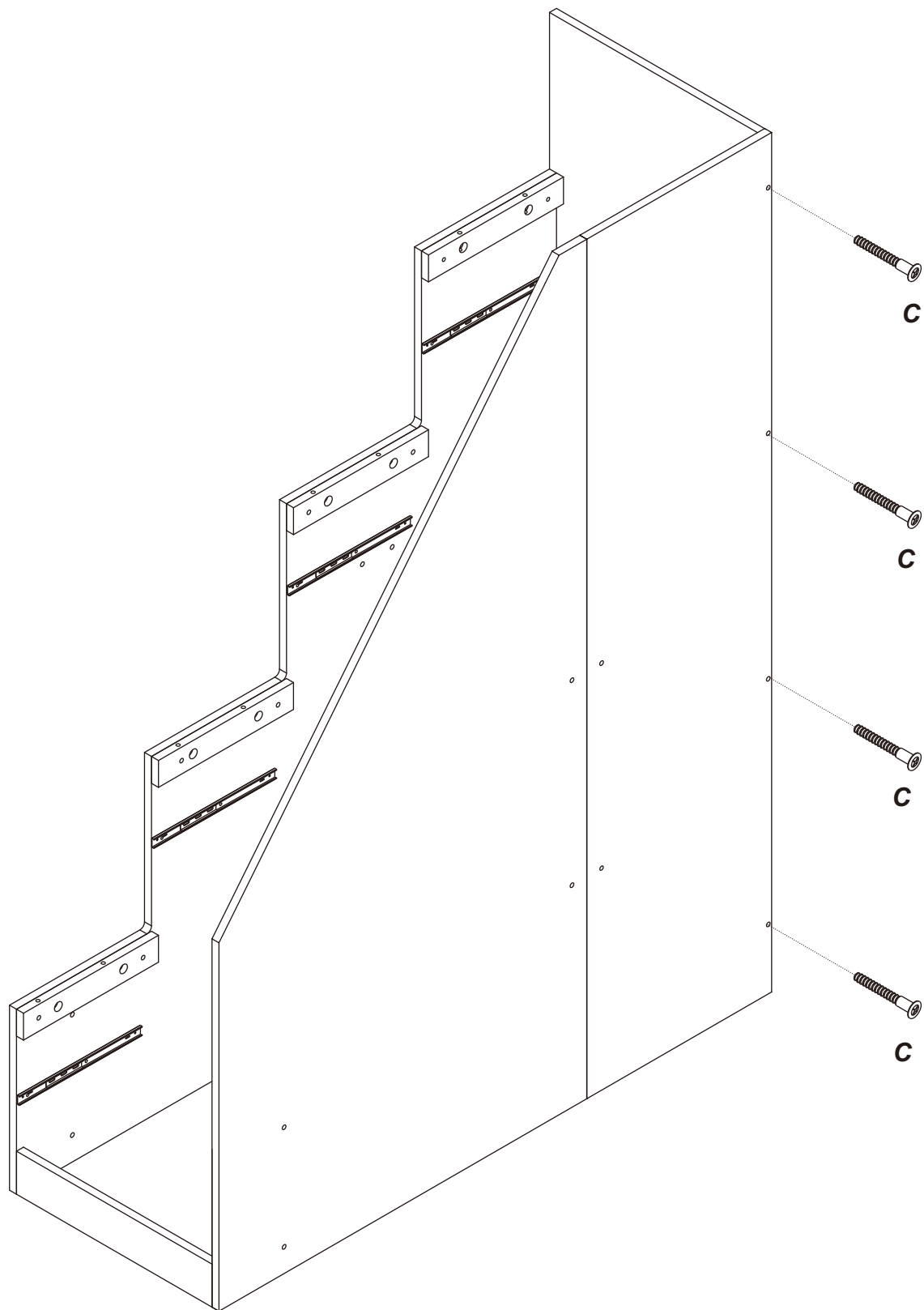
6.



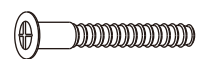
7.



8.

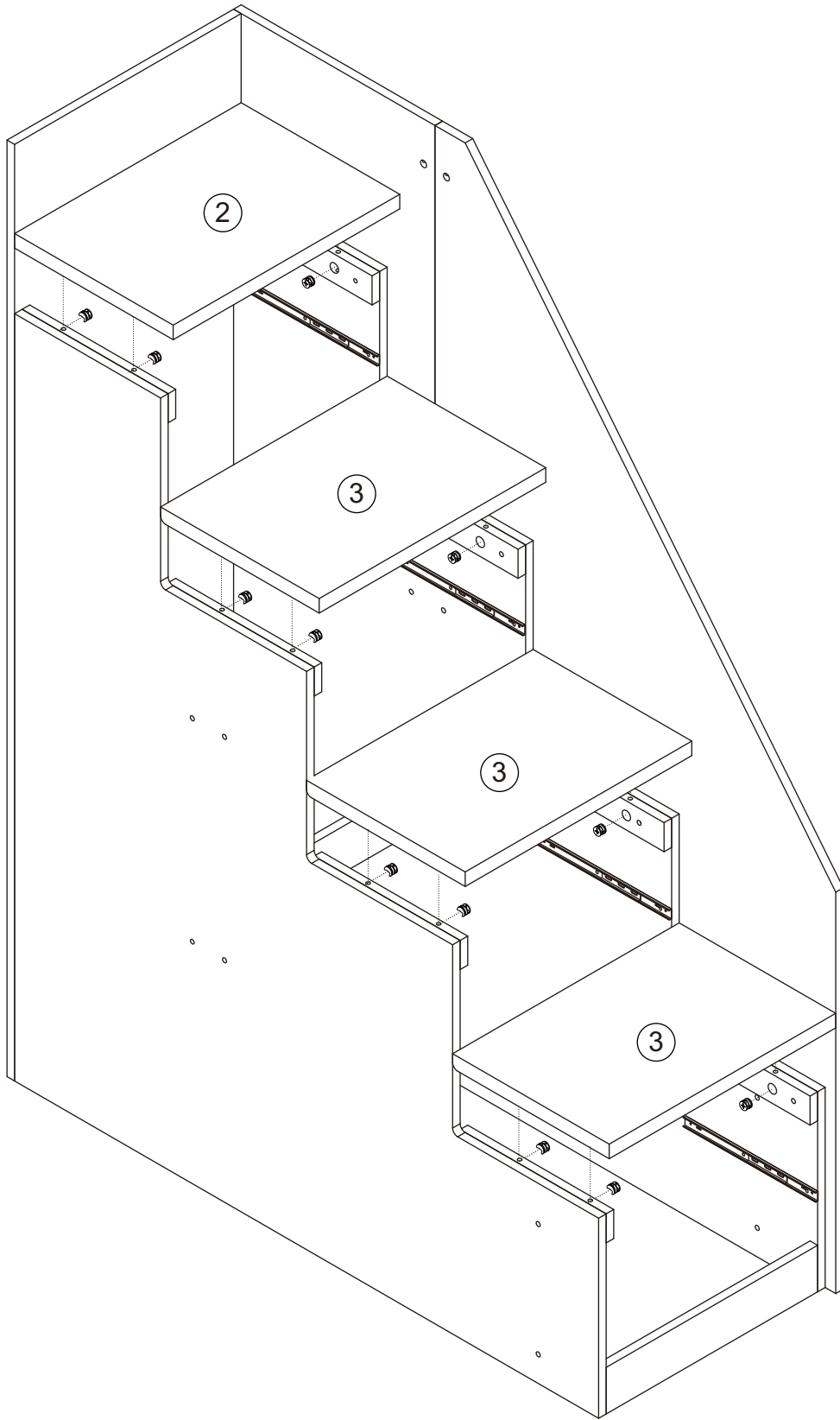


**Cx4**

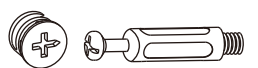


**M7\*38**

# 9.

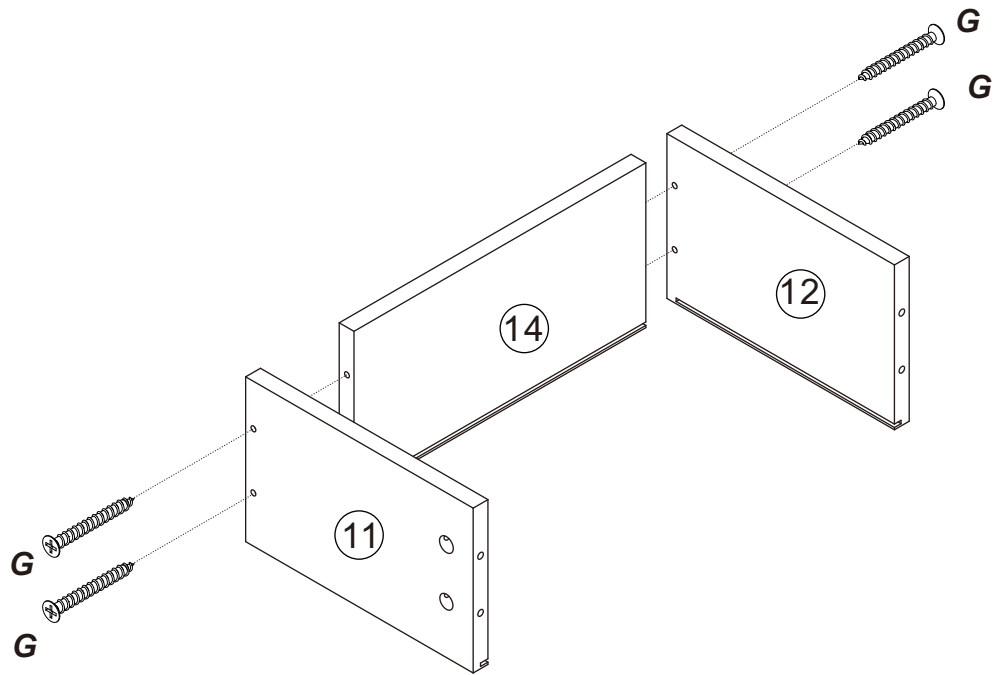


**Ax16**

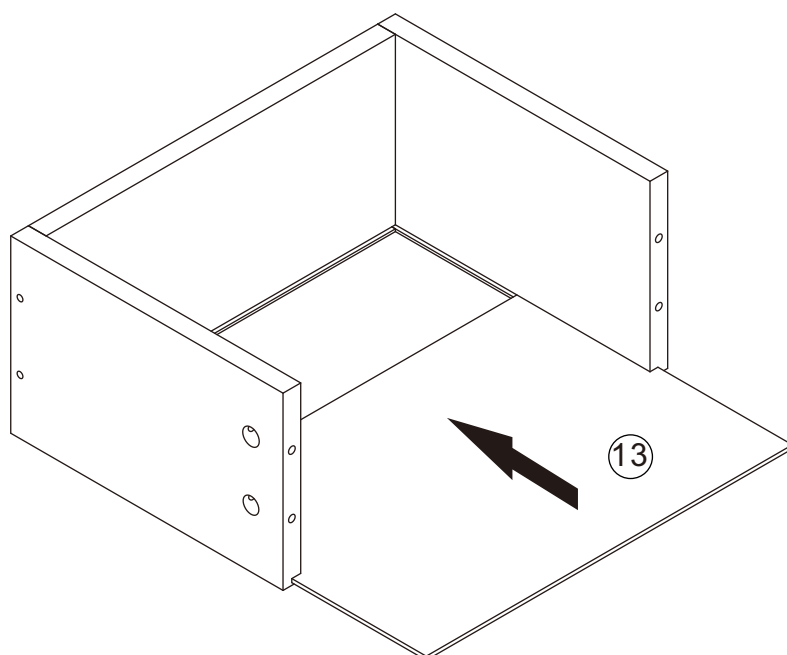




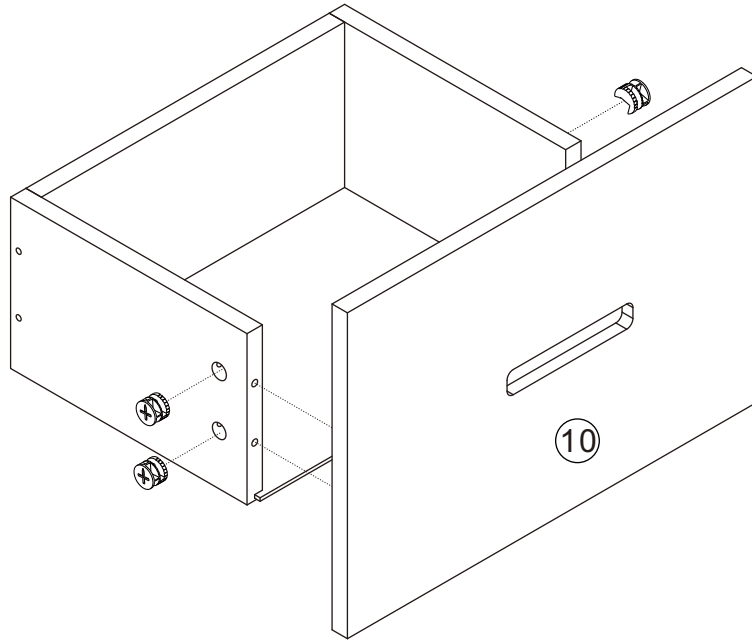
# 10.



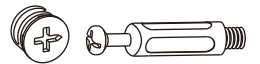
# 11.



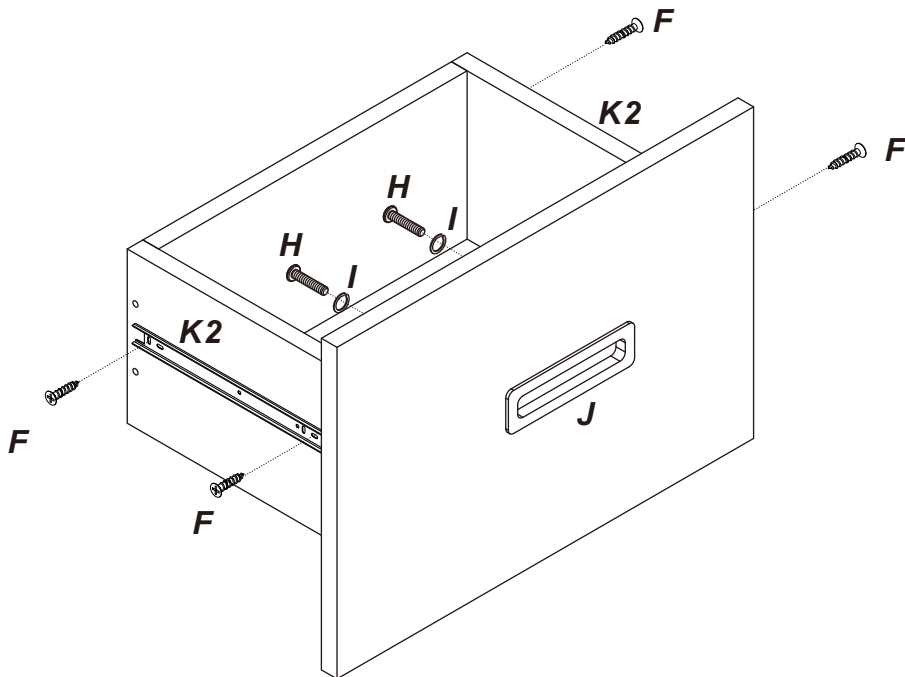
12.



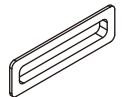
Ax4



13.



Jx1



Jx2



M4\*10

Ix2



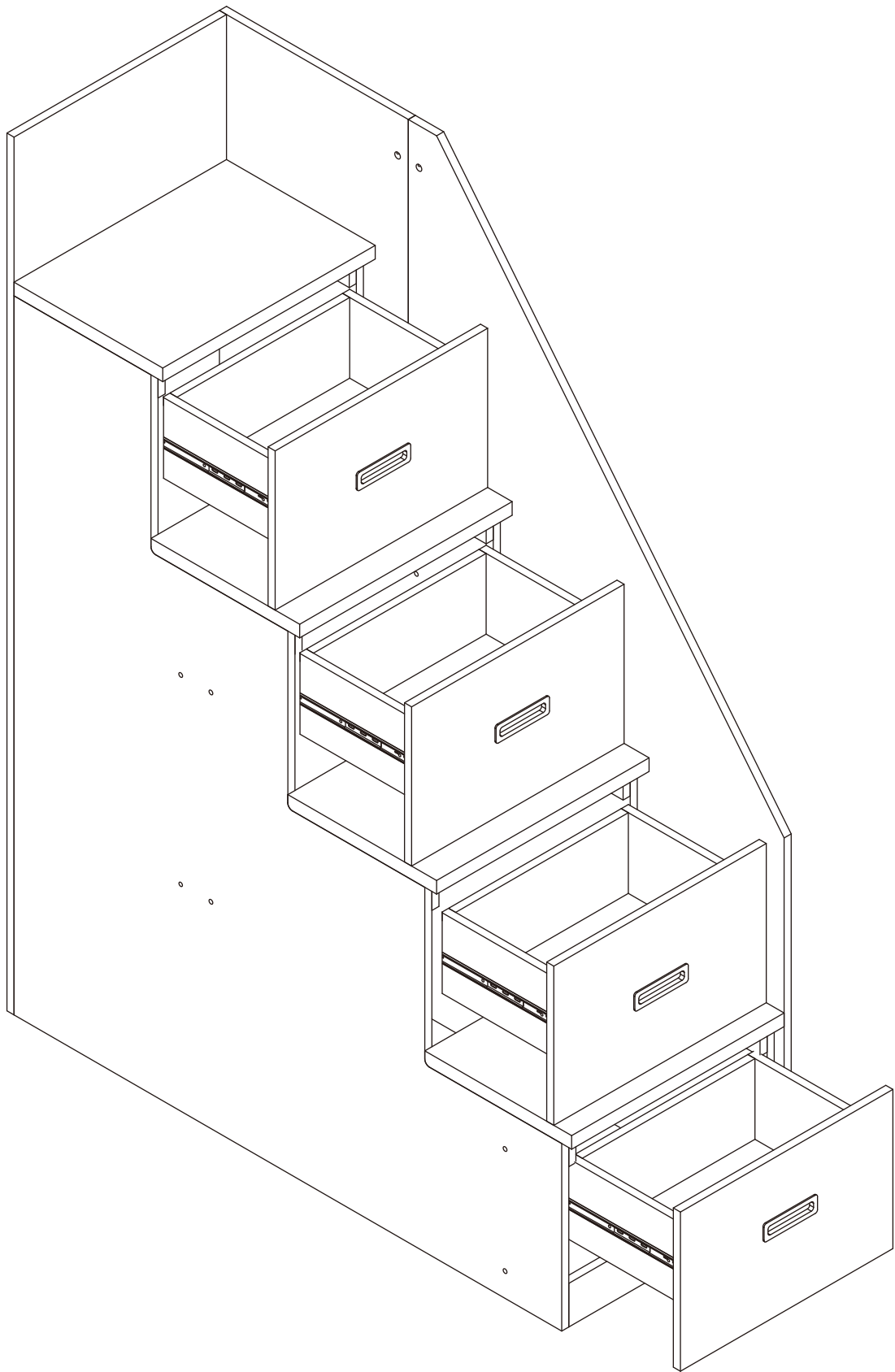
Nx6



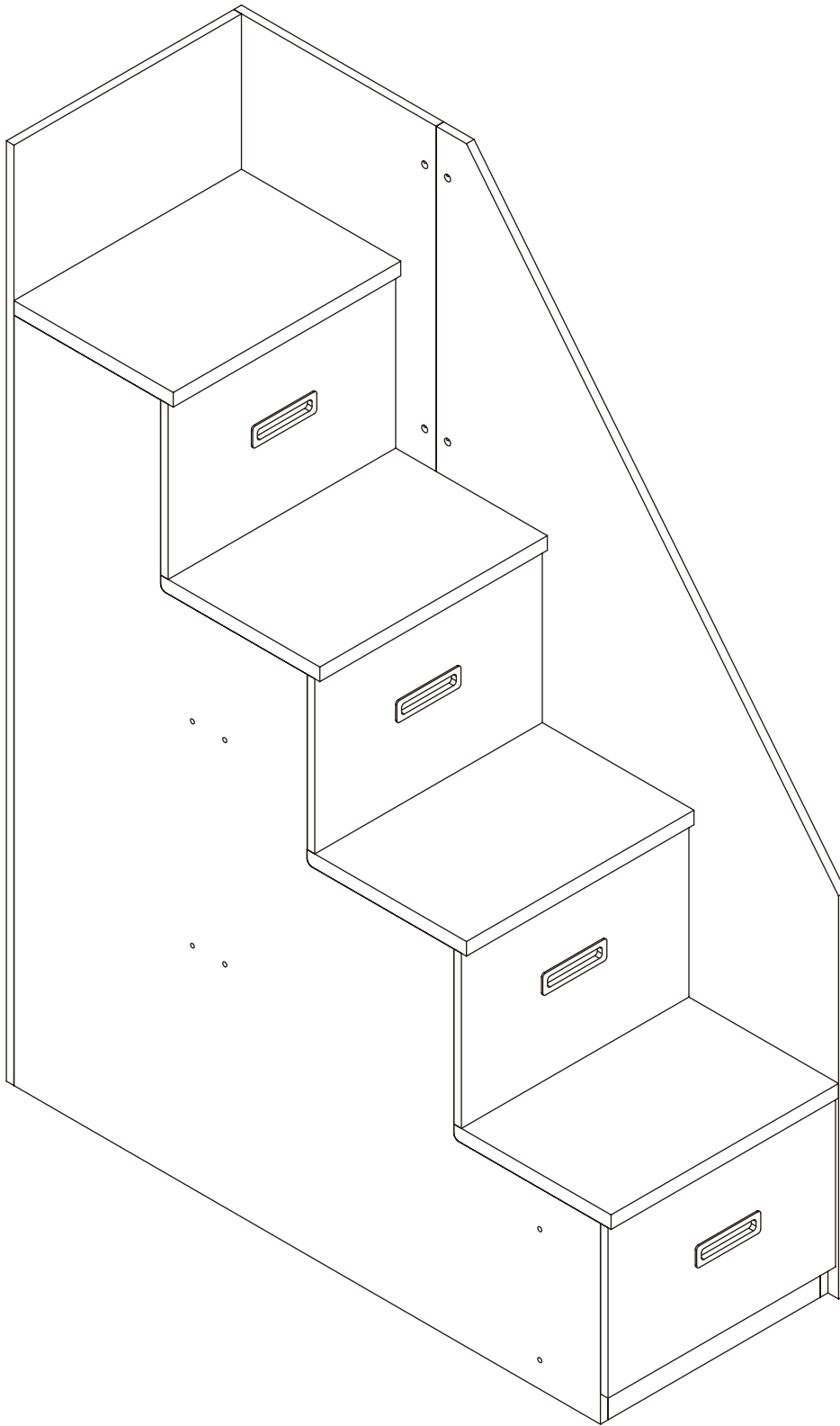
3.5\*13

x4

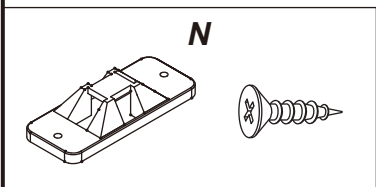
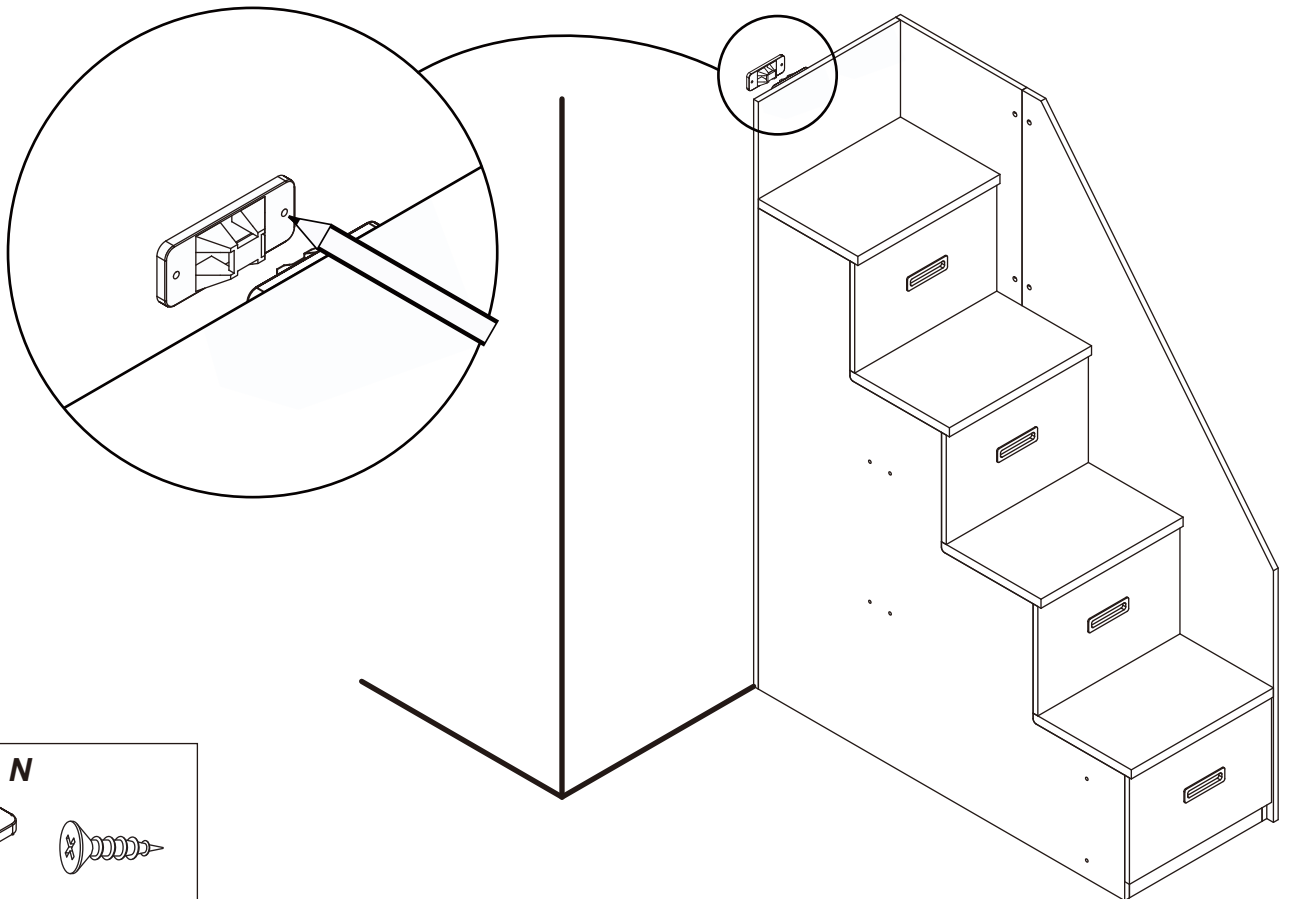
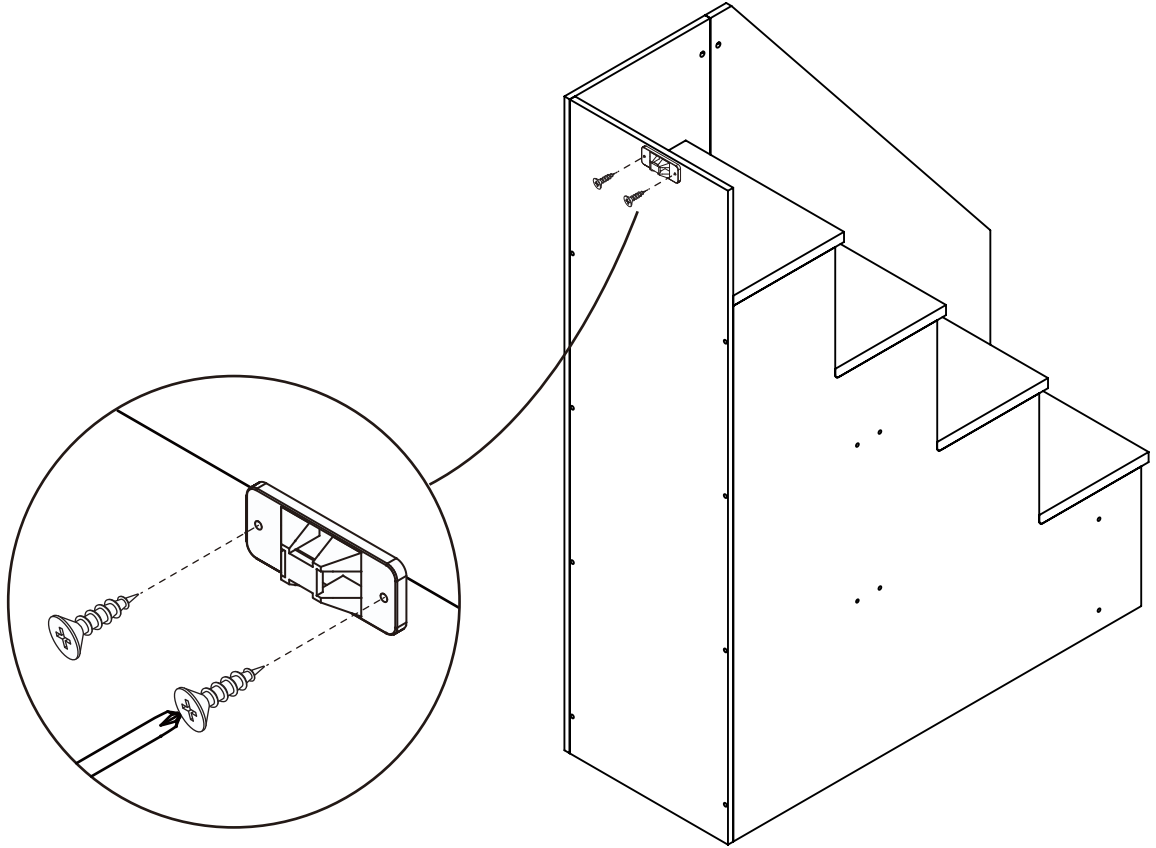
14.



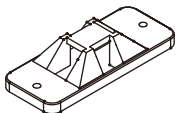
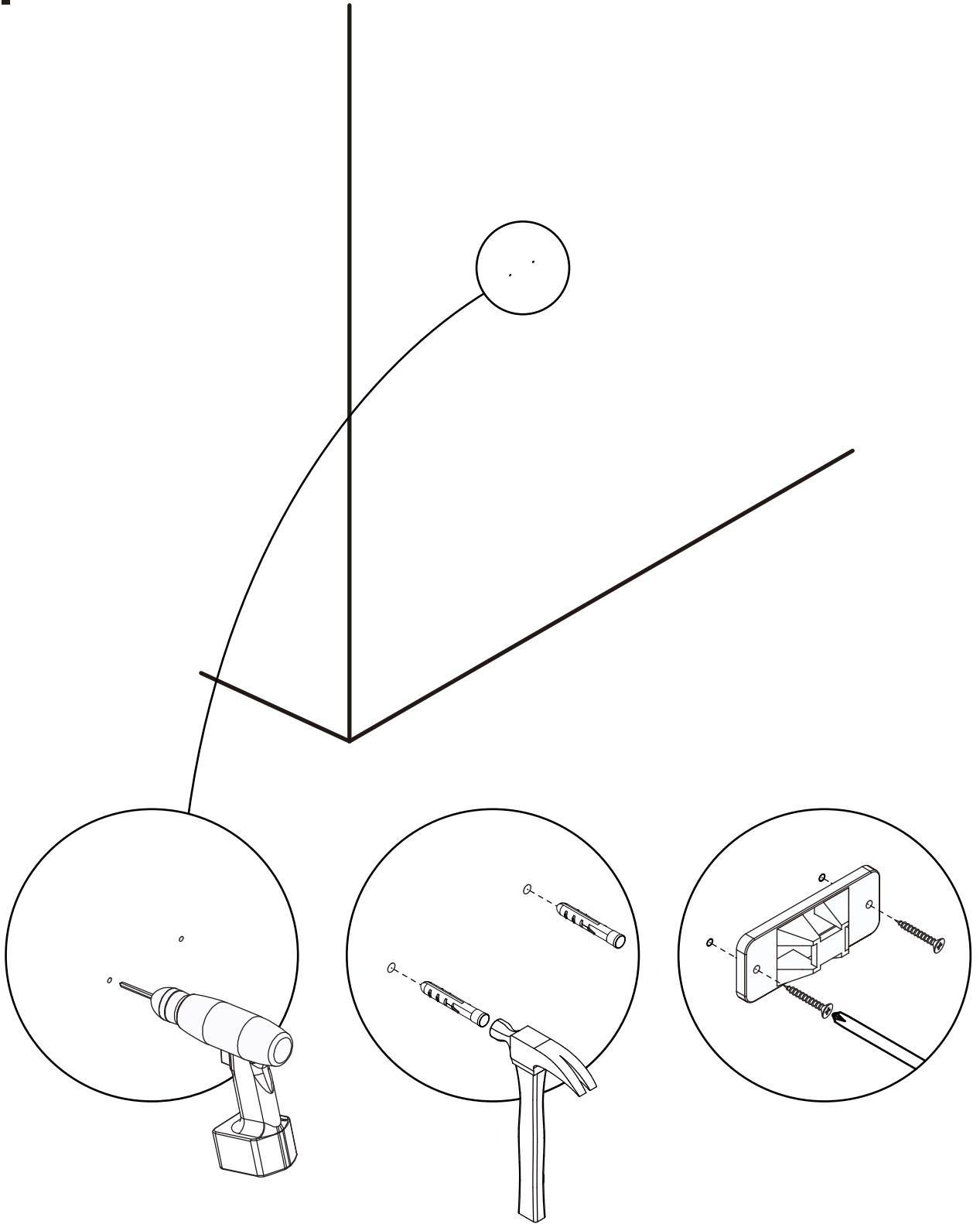
15.



16.



17.



18.

