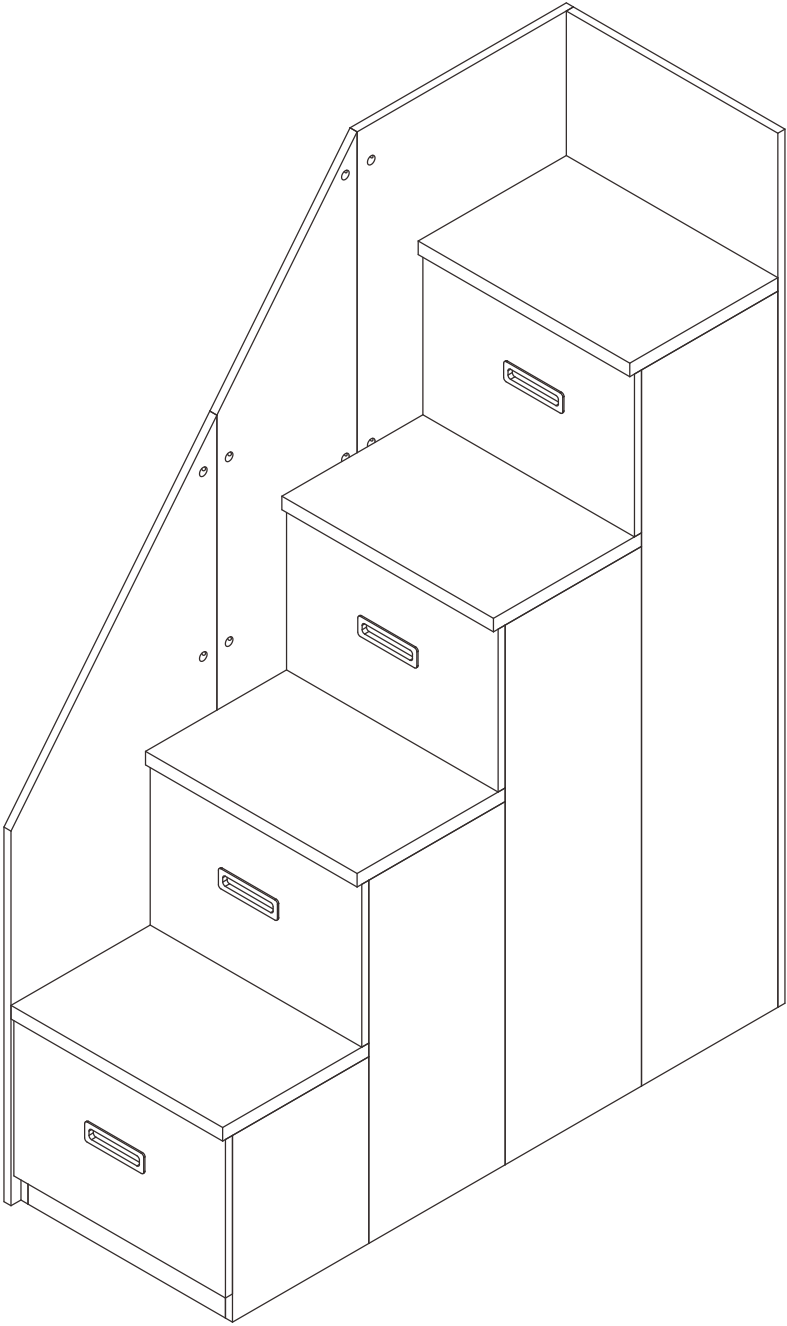
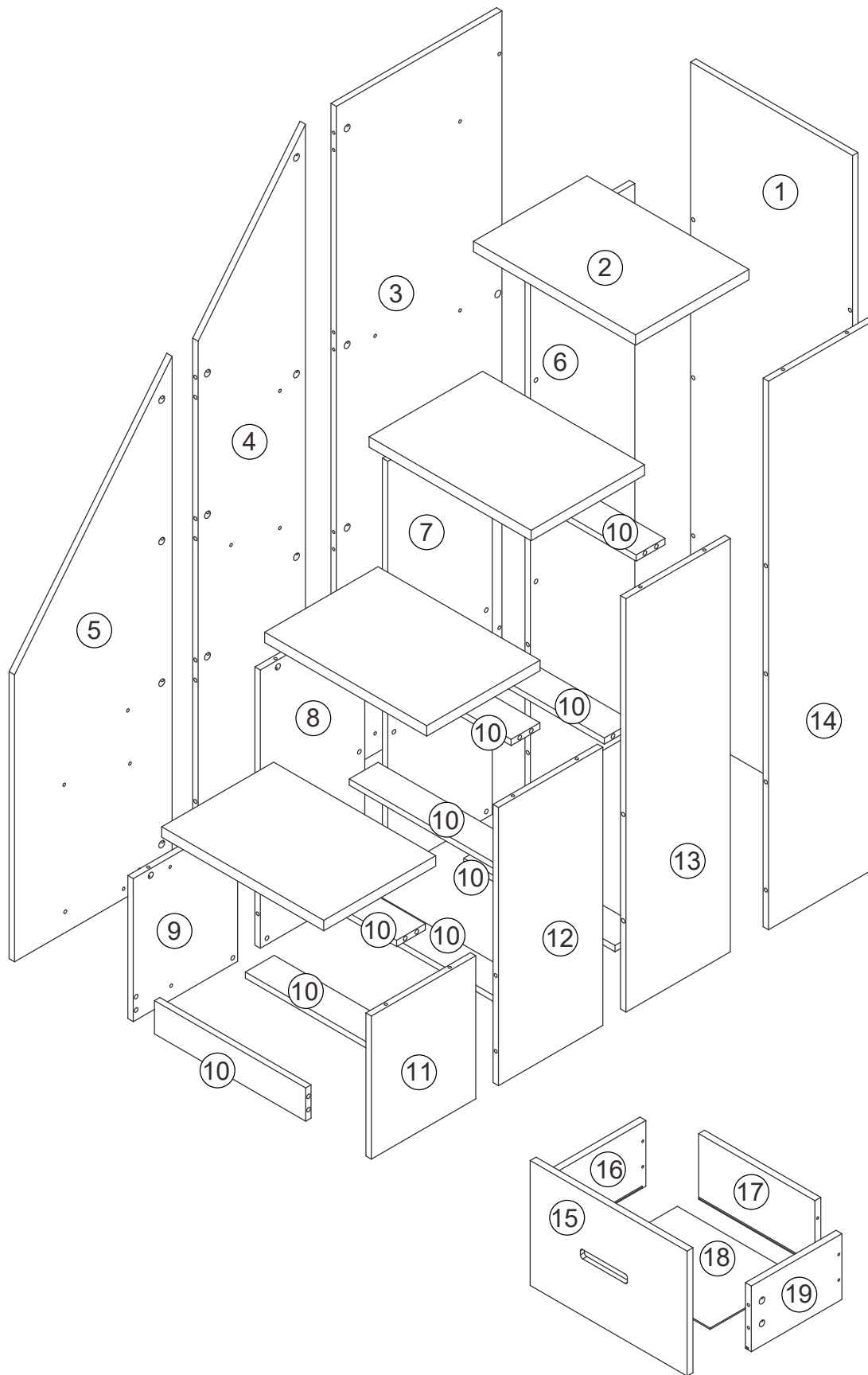
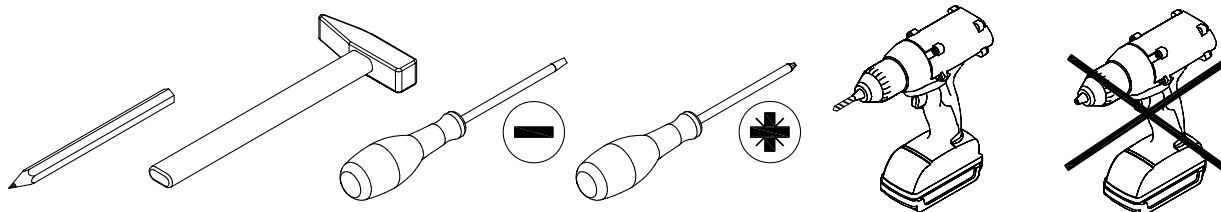
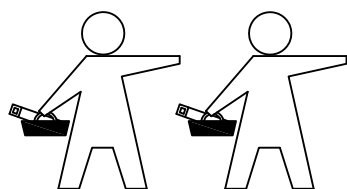


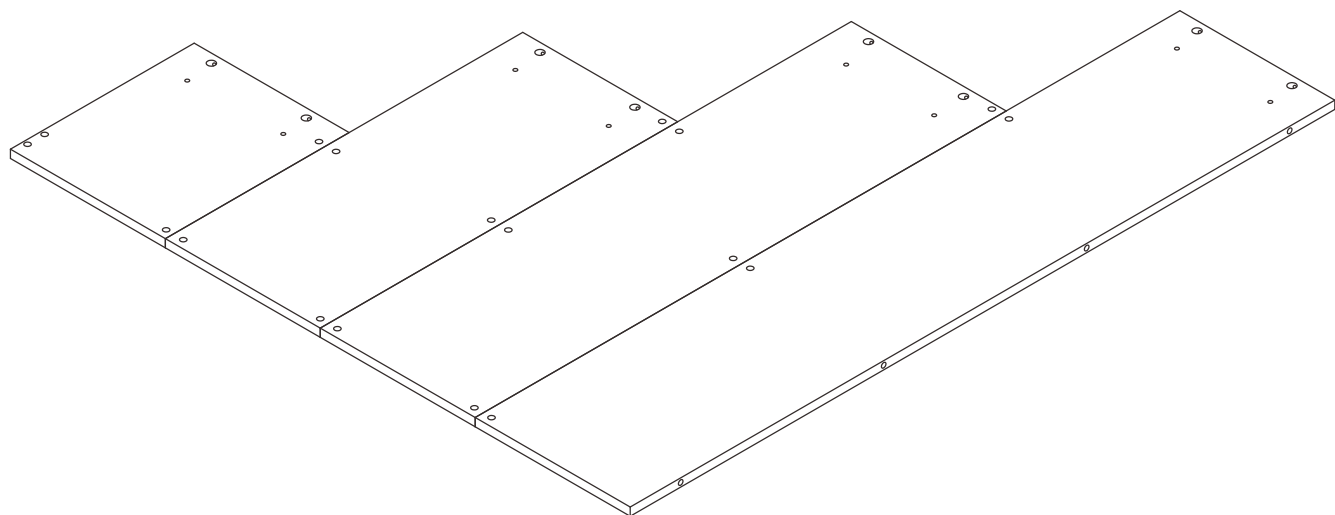
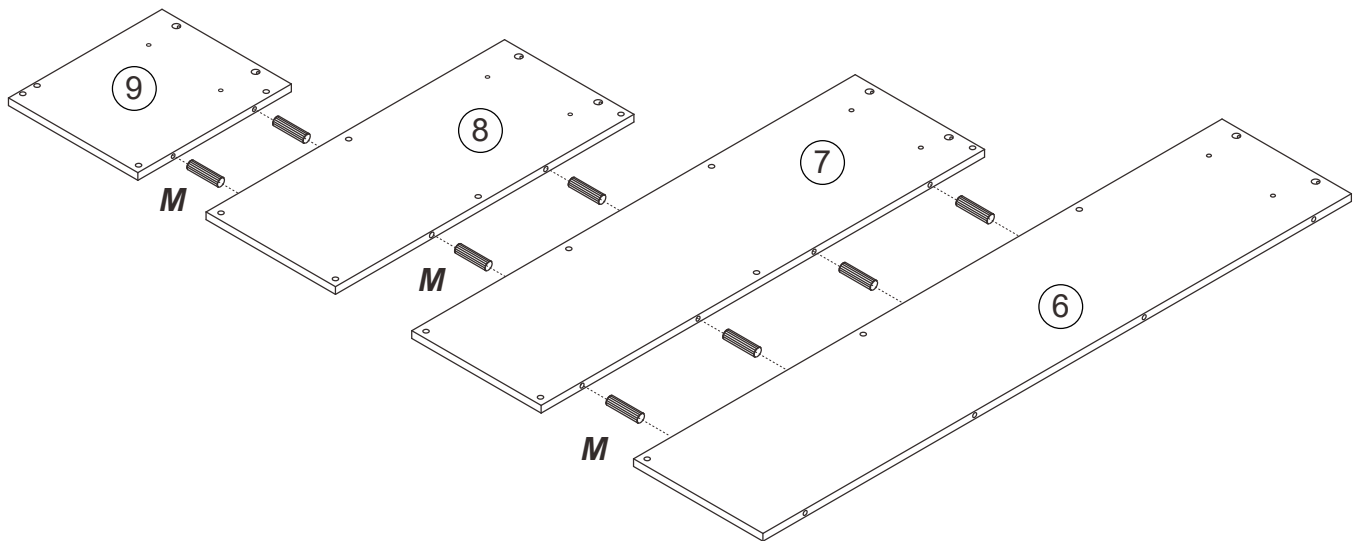
TEOM Stair Installation Manual



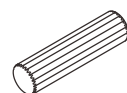




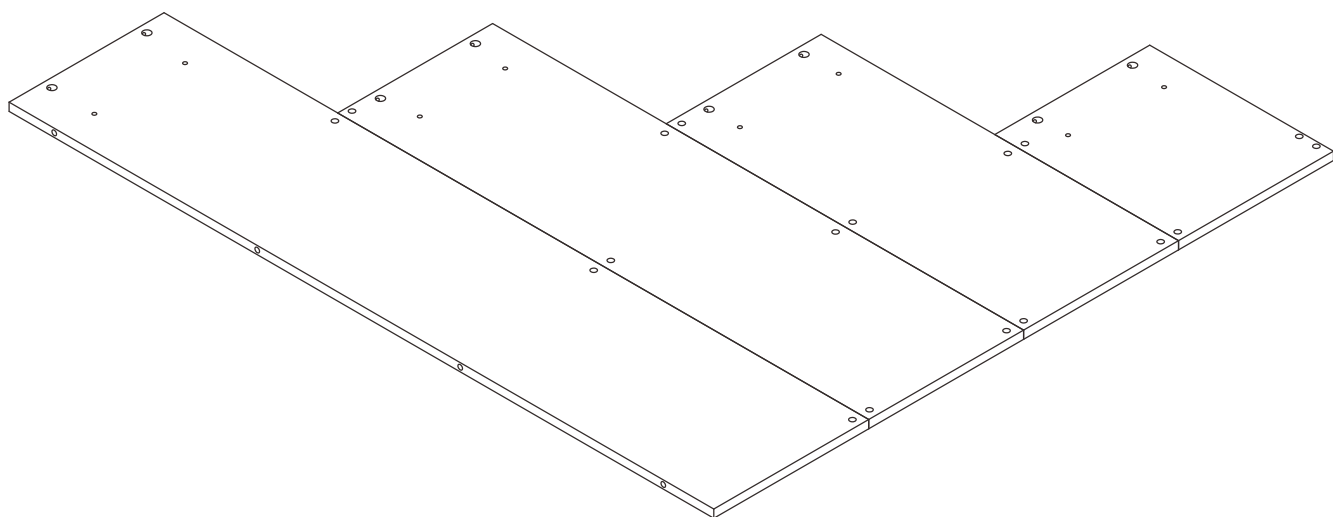
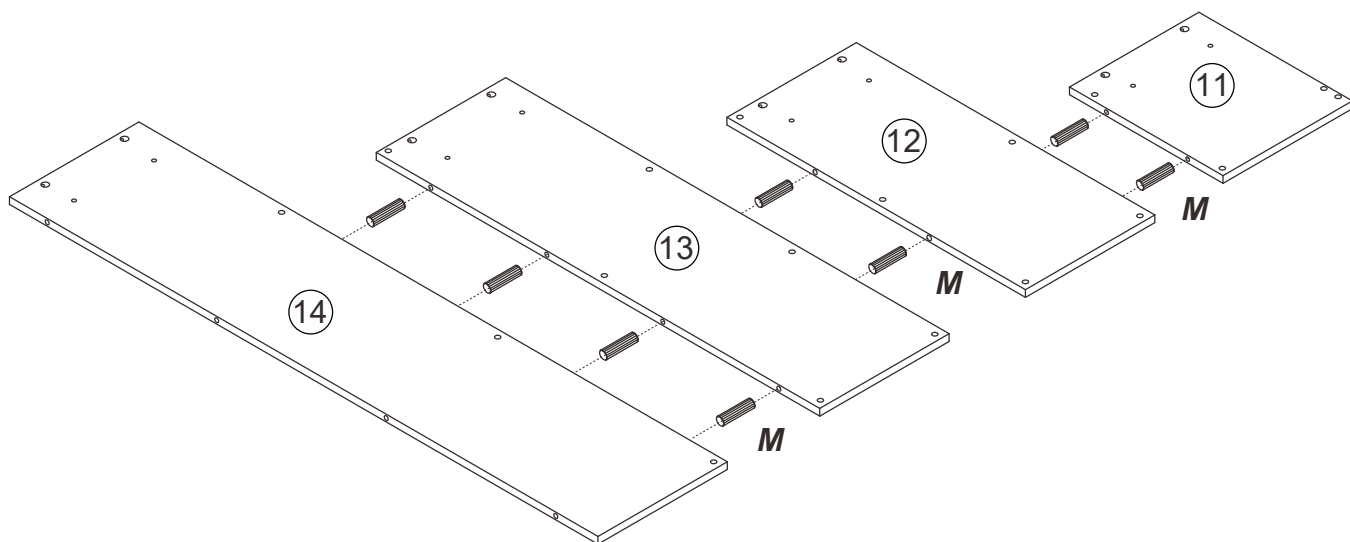
1.



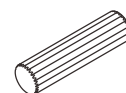
Mx8



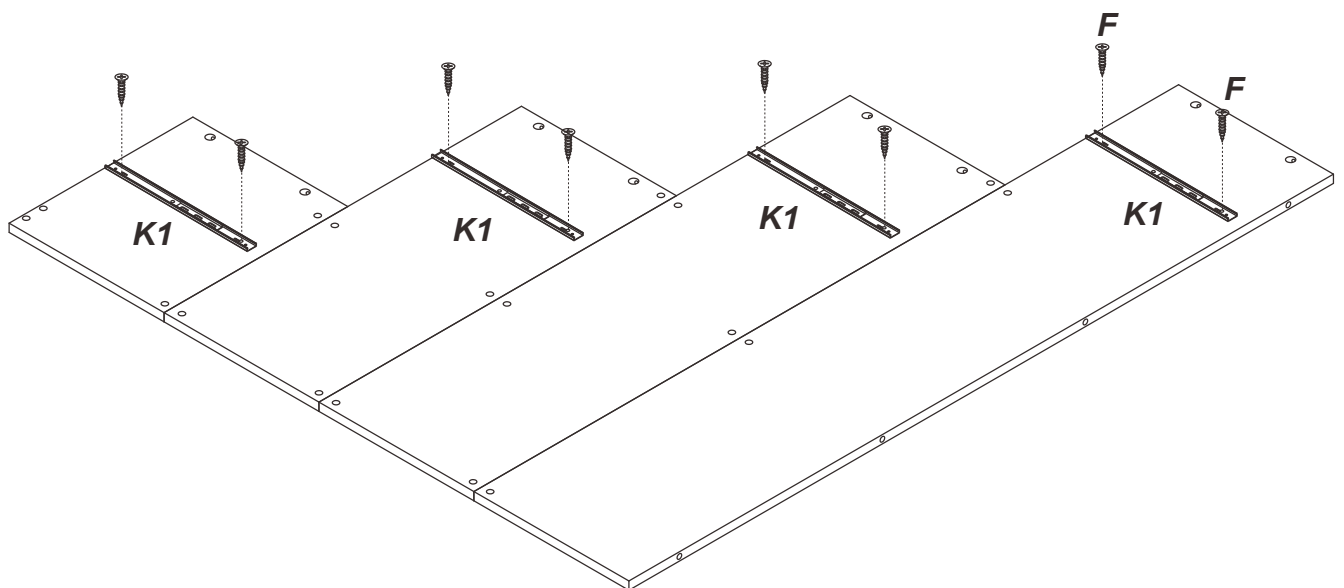
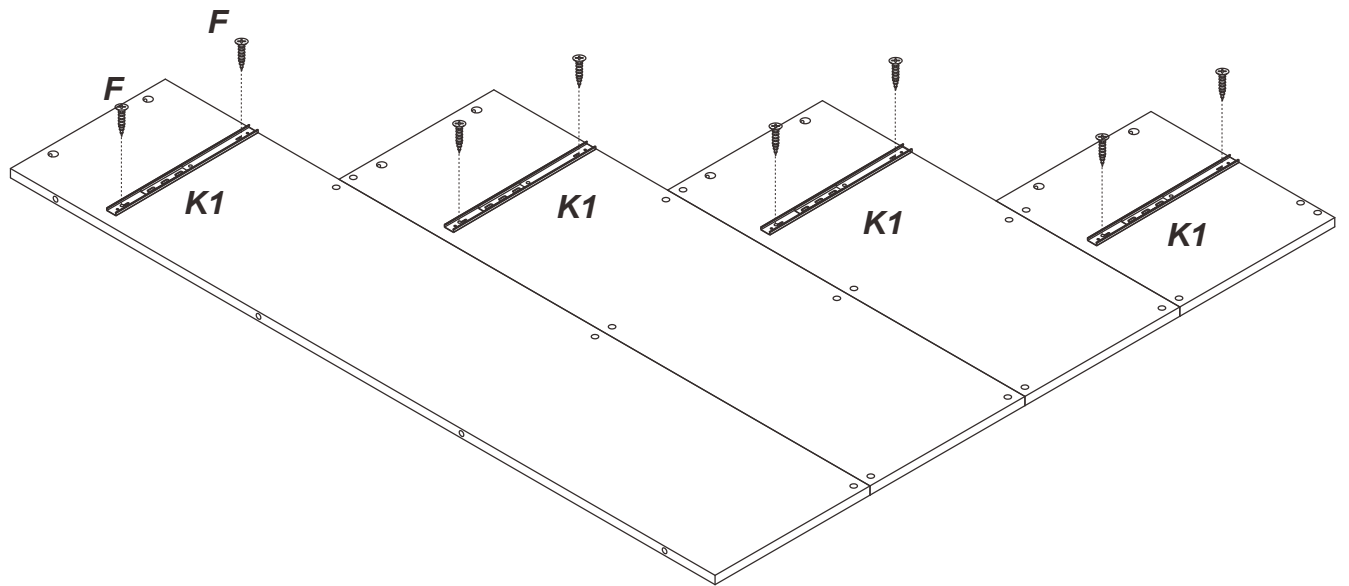
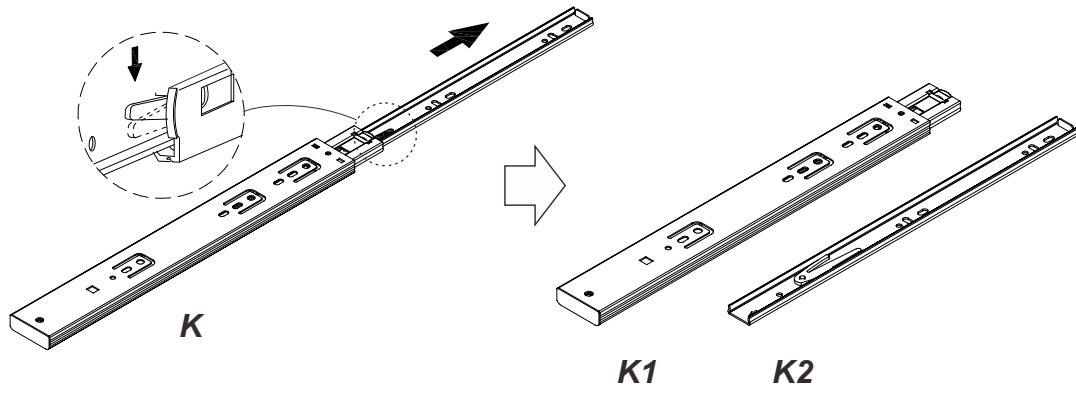
2.



Mx8



3.



Fx16

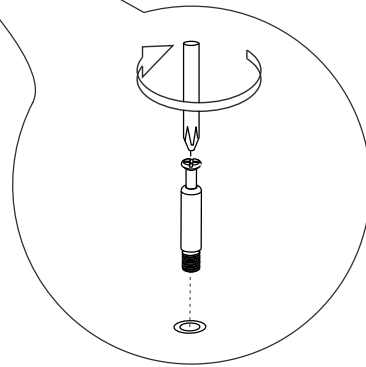
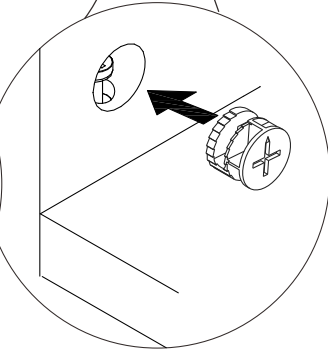
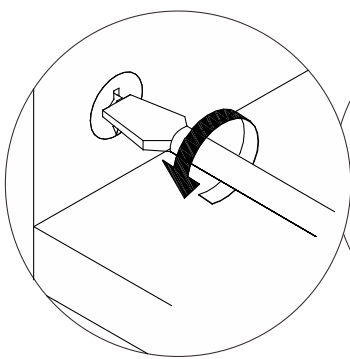
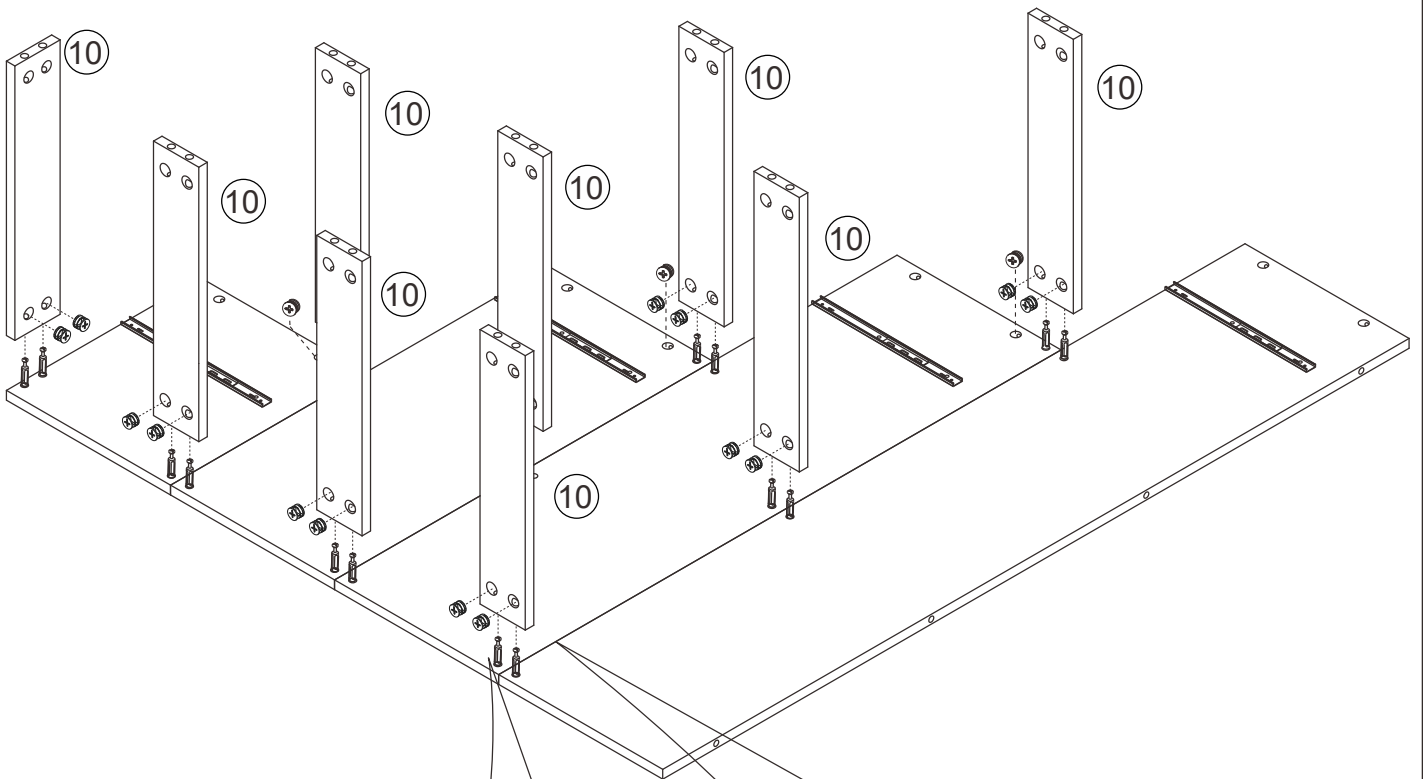


3.5*13

Kx4

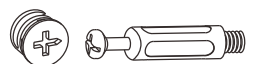


4.

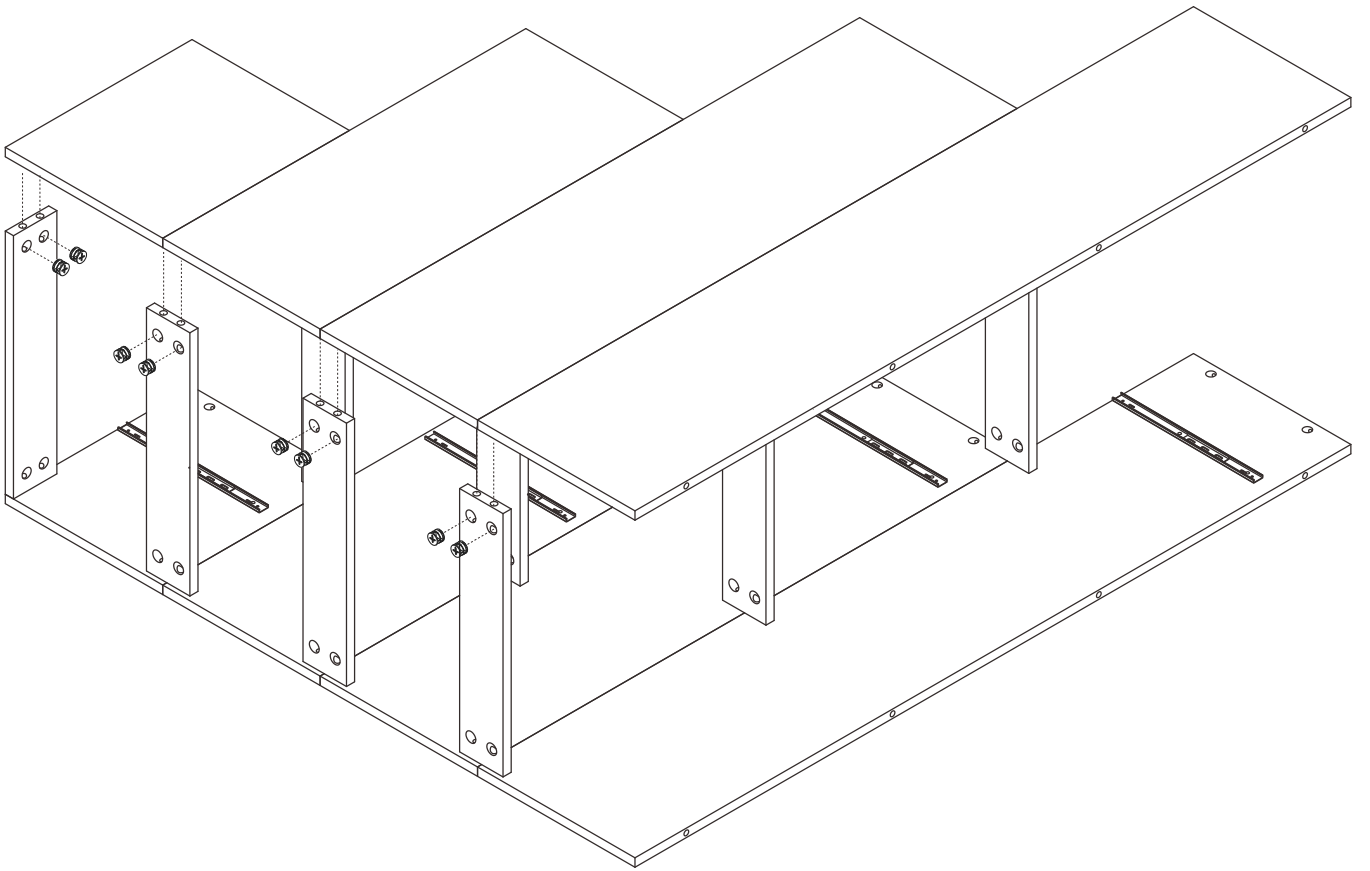


x3

Ax18



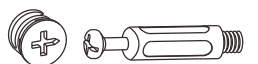
5.



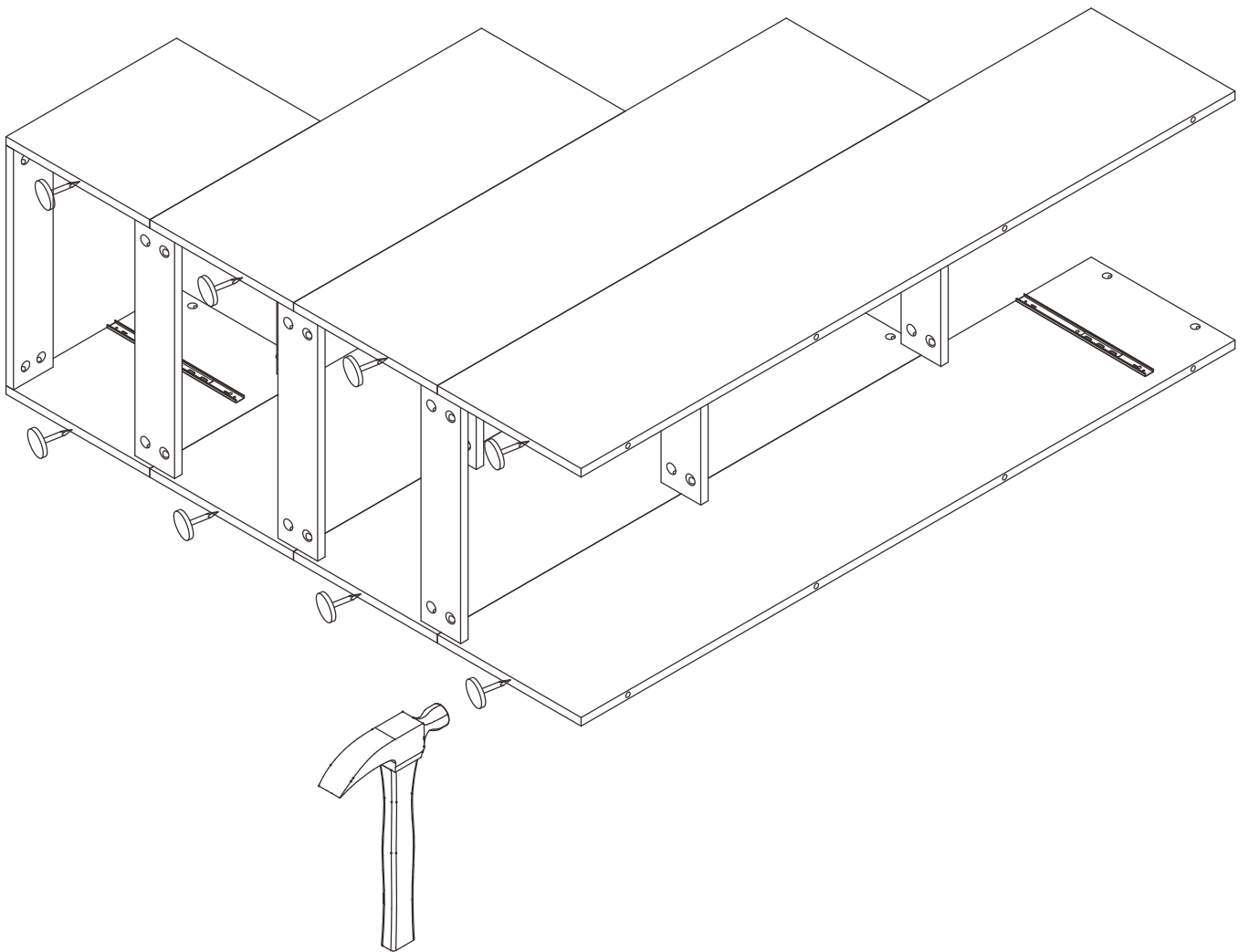
x3



Ax18



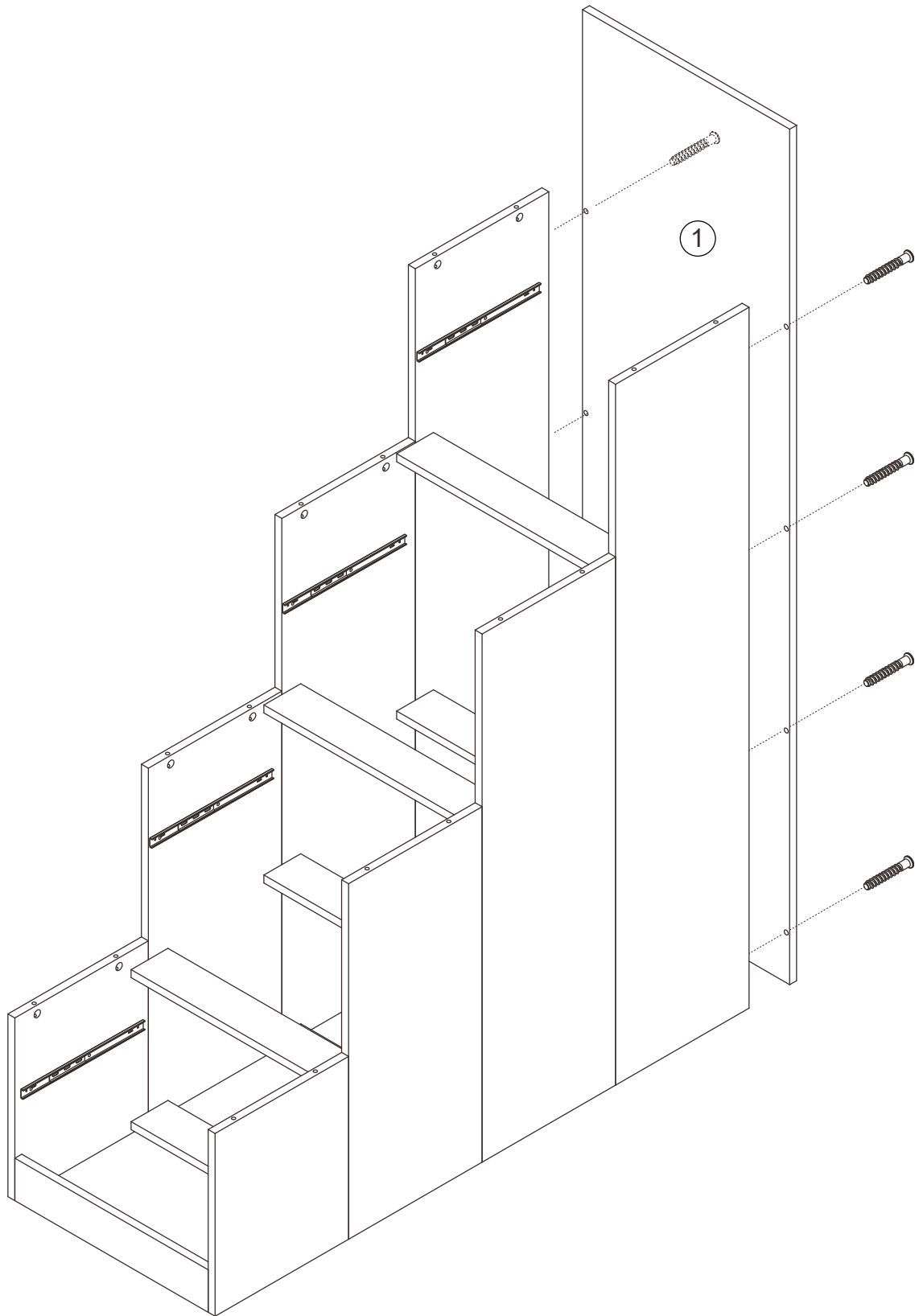
6.



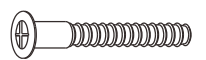
Bx8



7.

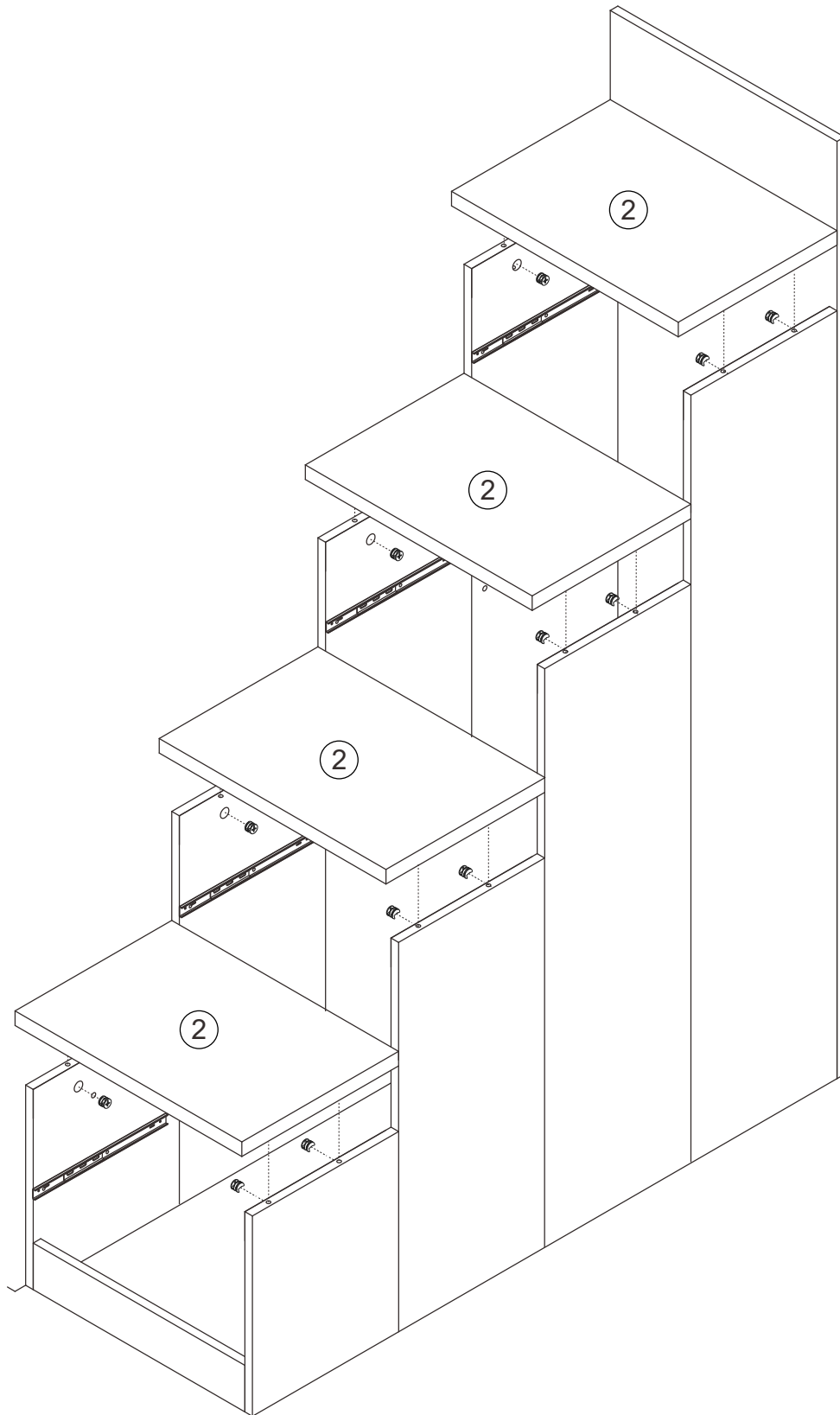


Cx8



M7*38

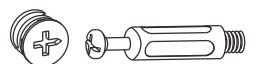
8.



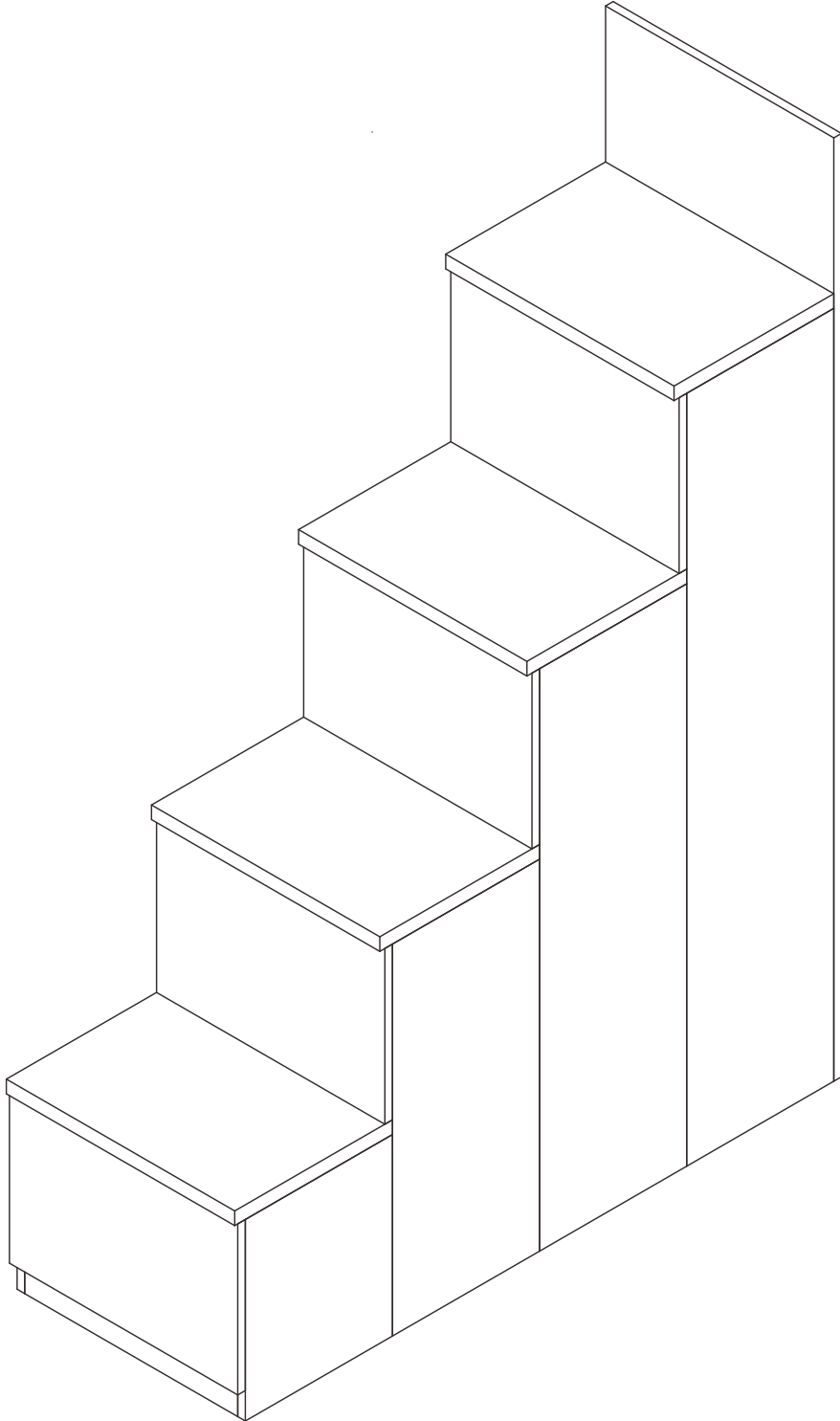
x6



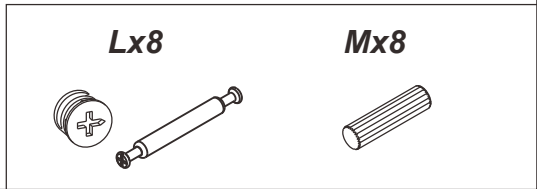
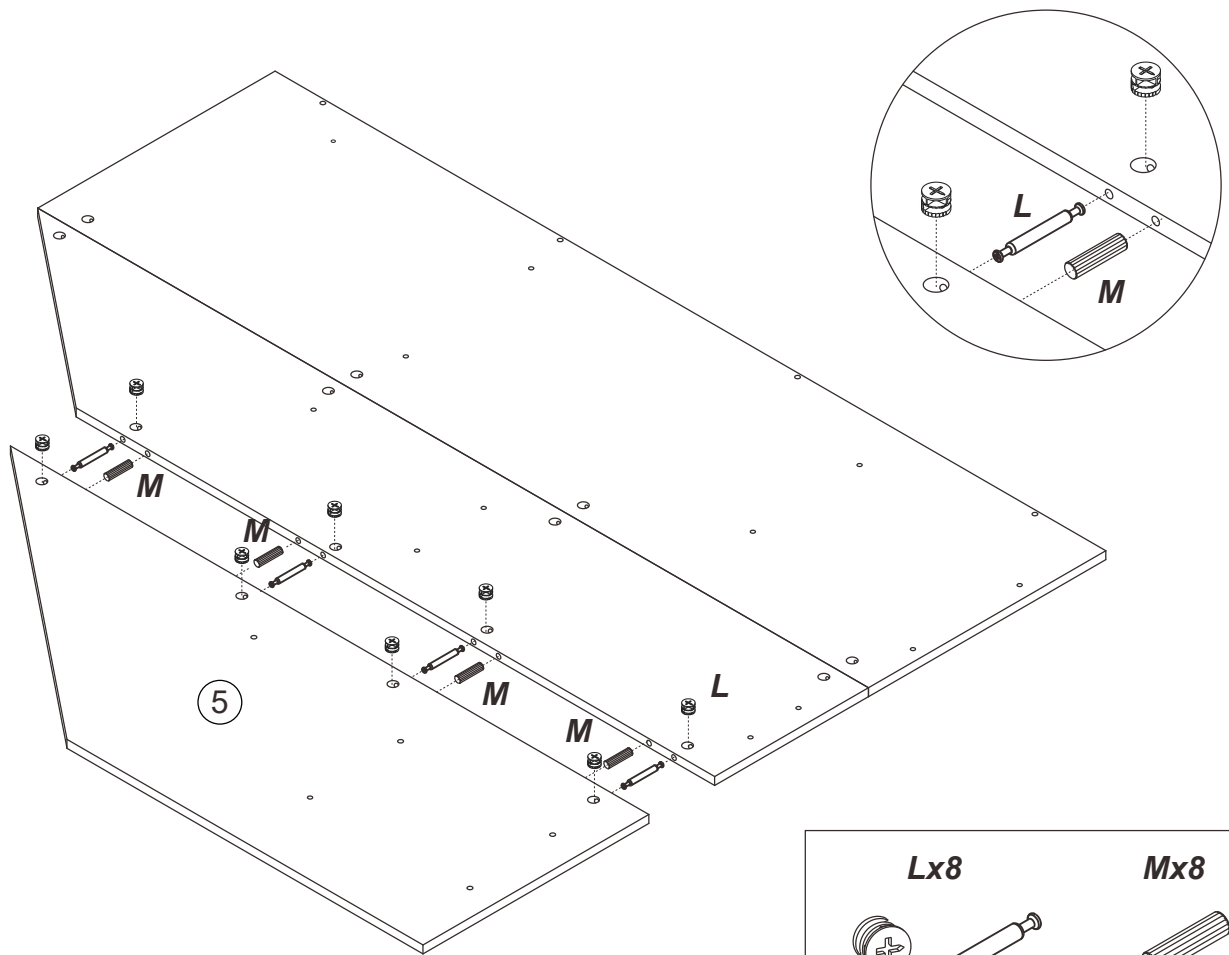
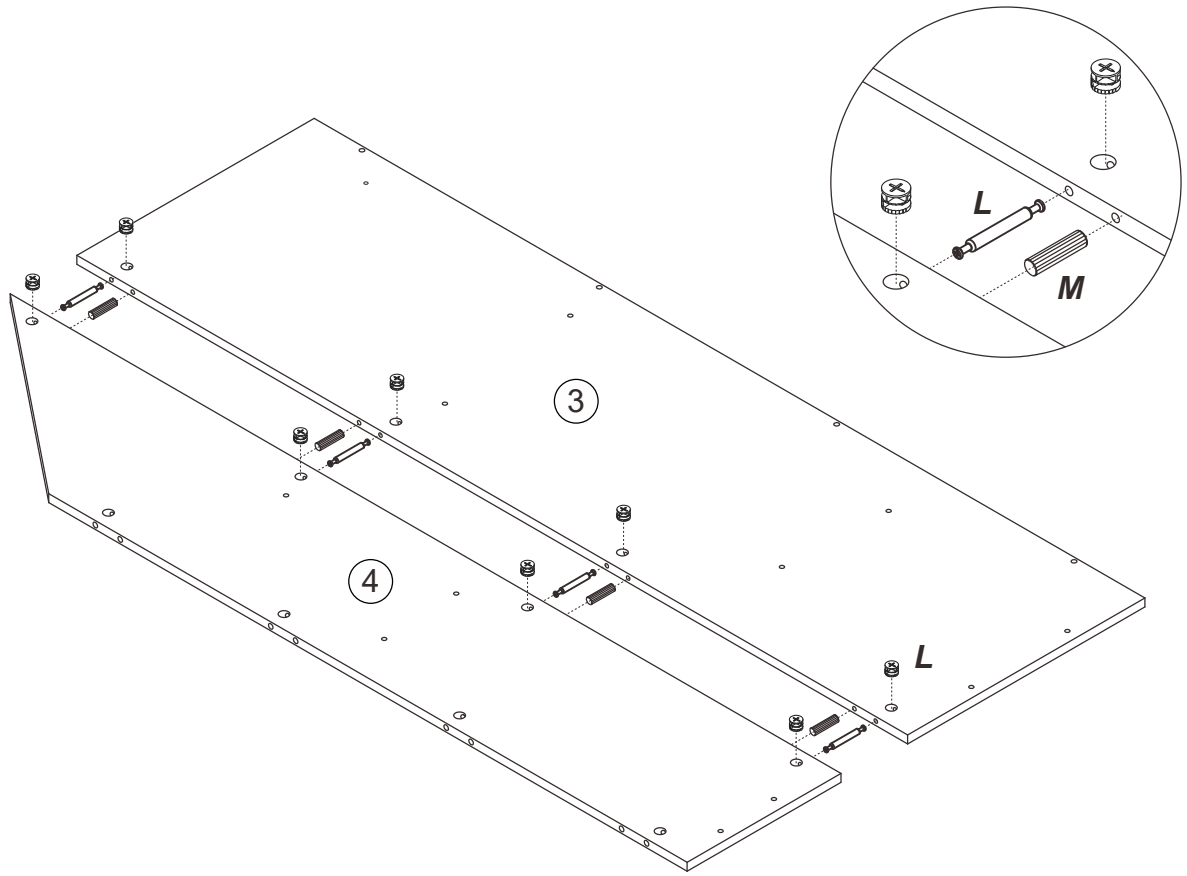
Ax10



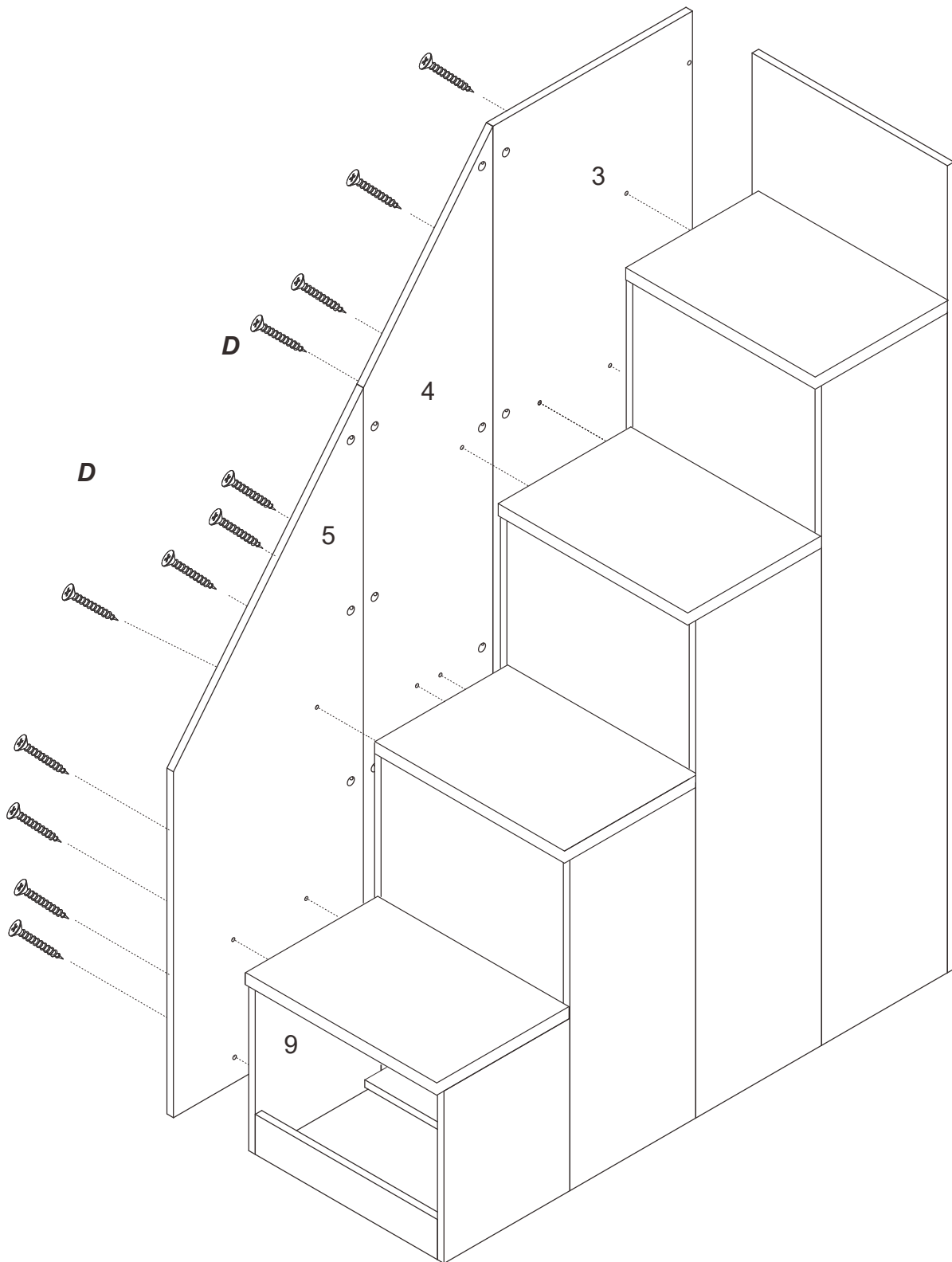
9.



10.



11.

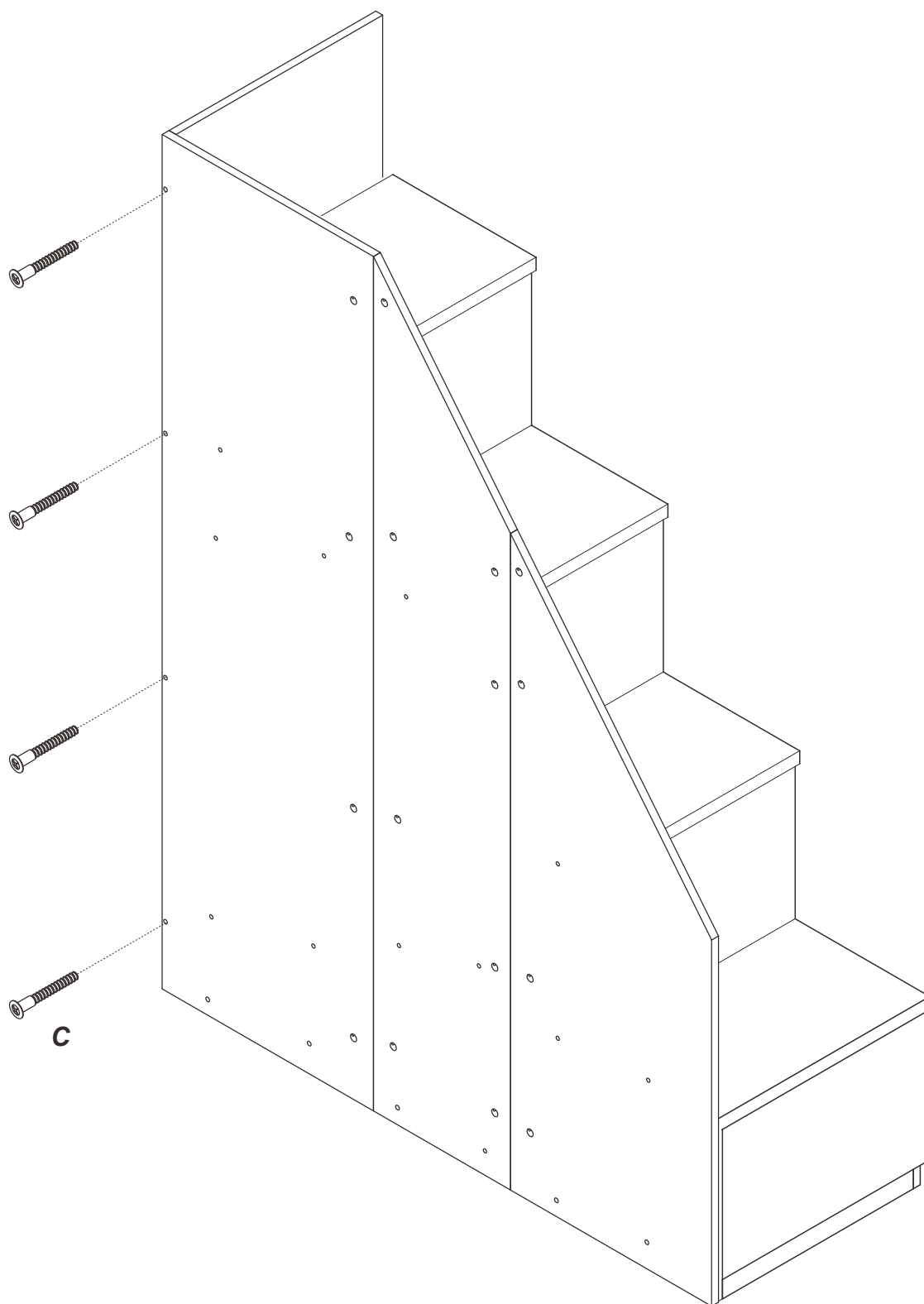


Note: on panels 6-9, the holes are not punched so that the stair can be switched as needed. There are 17 holes on the grey panels, please use the provided fixing screw (D) to drill through.

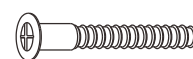
Dx17



12.

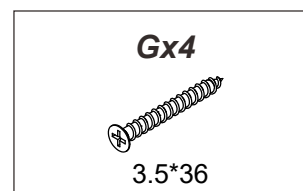
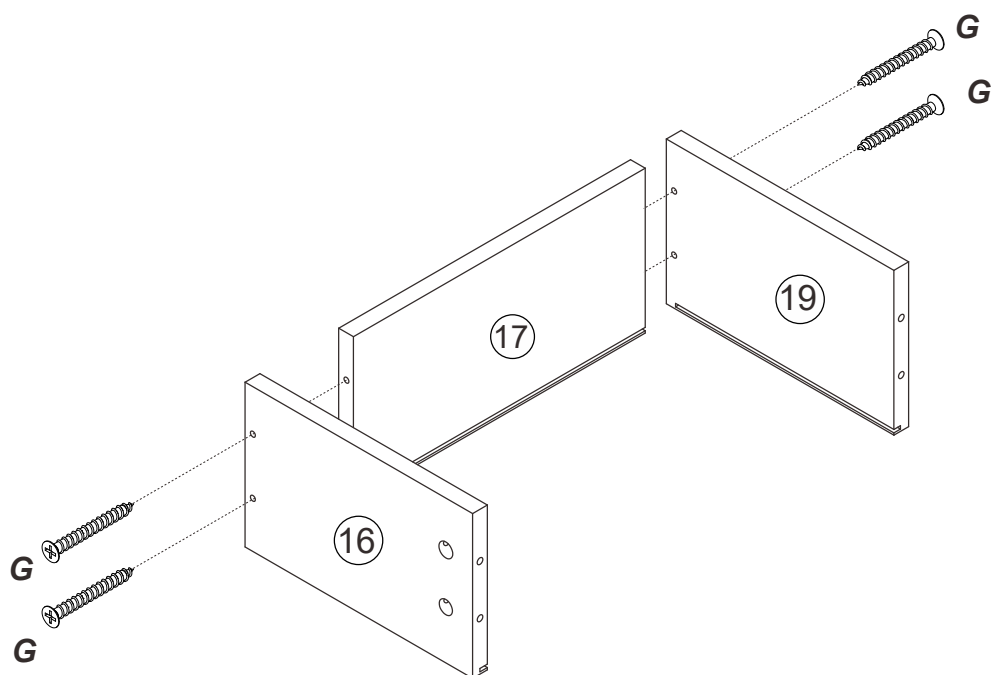


Cx4

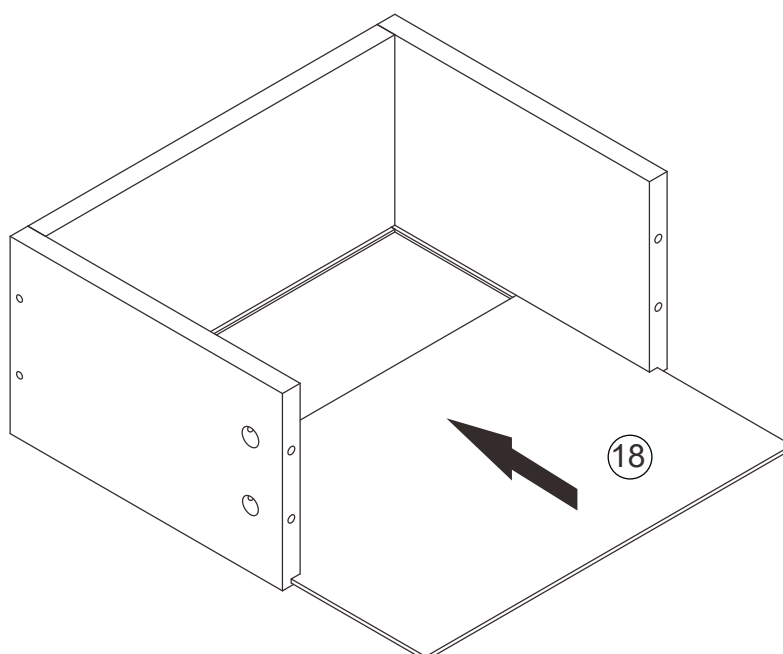


M7*38

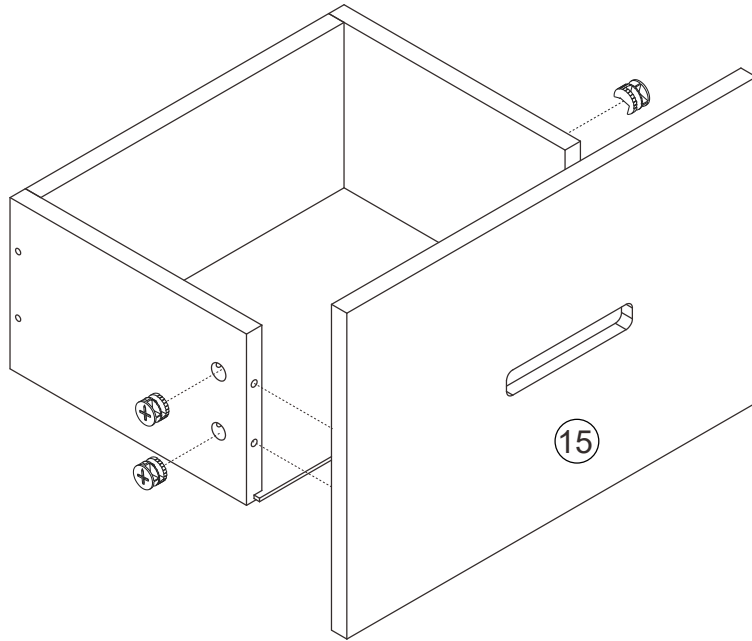
13.



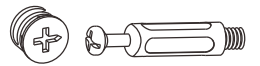
14.



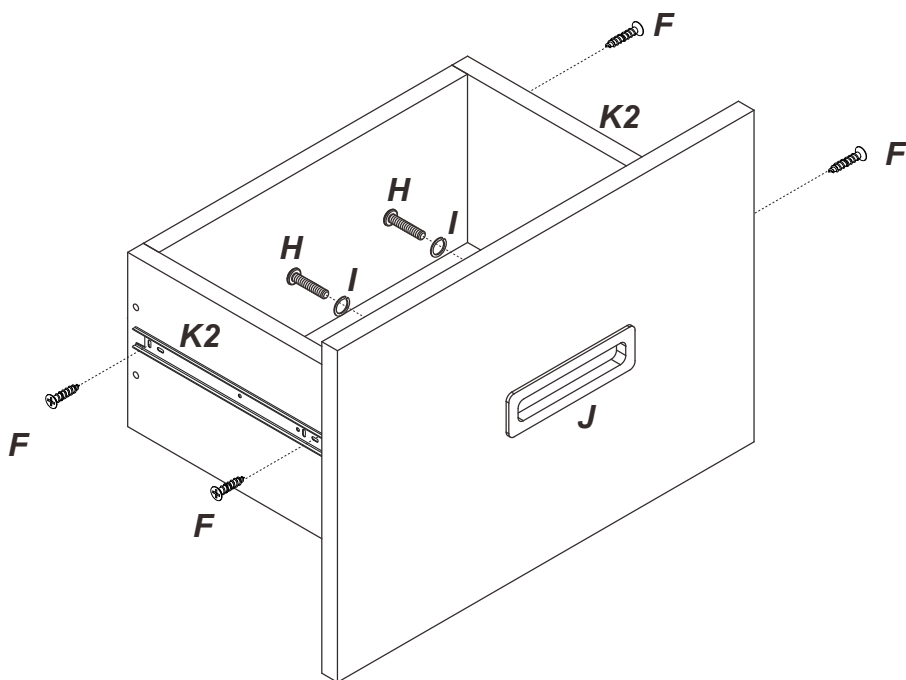
15.



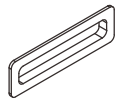
Ax4



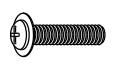
16.



Jx1



Jx2



M4*10

Ix2



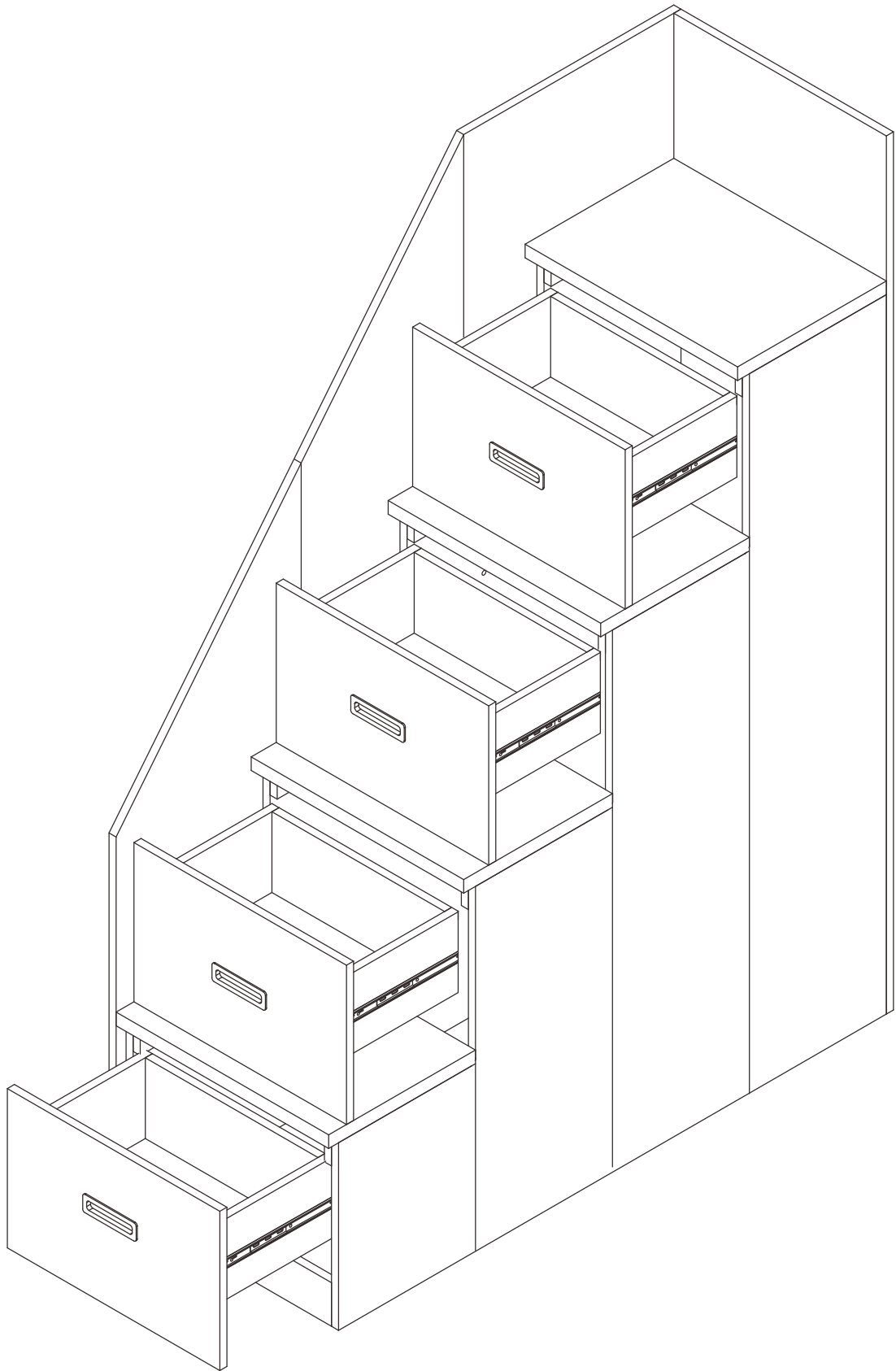
Nx6



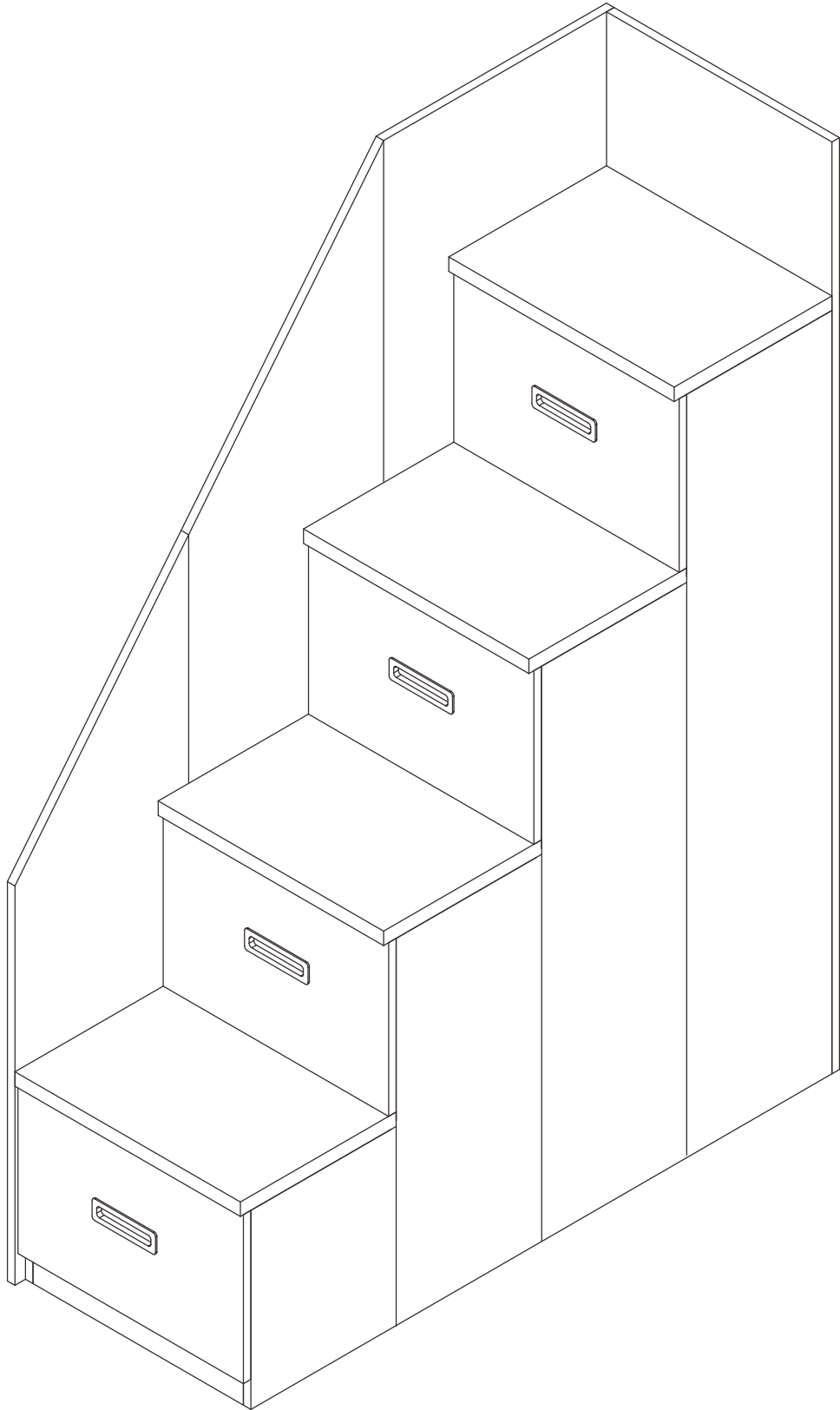
3.5*13

x4

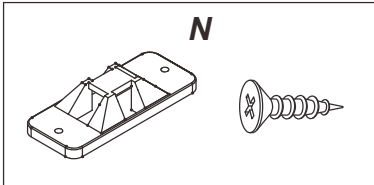
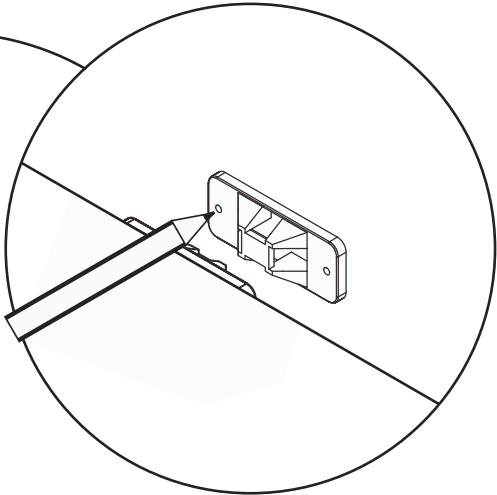
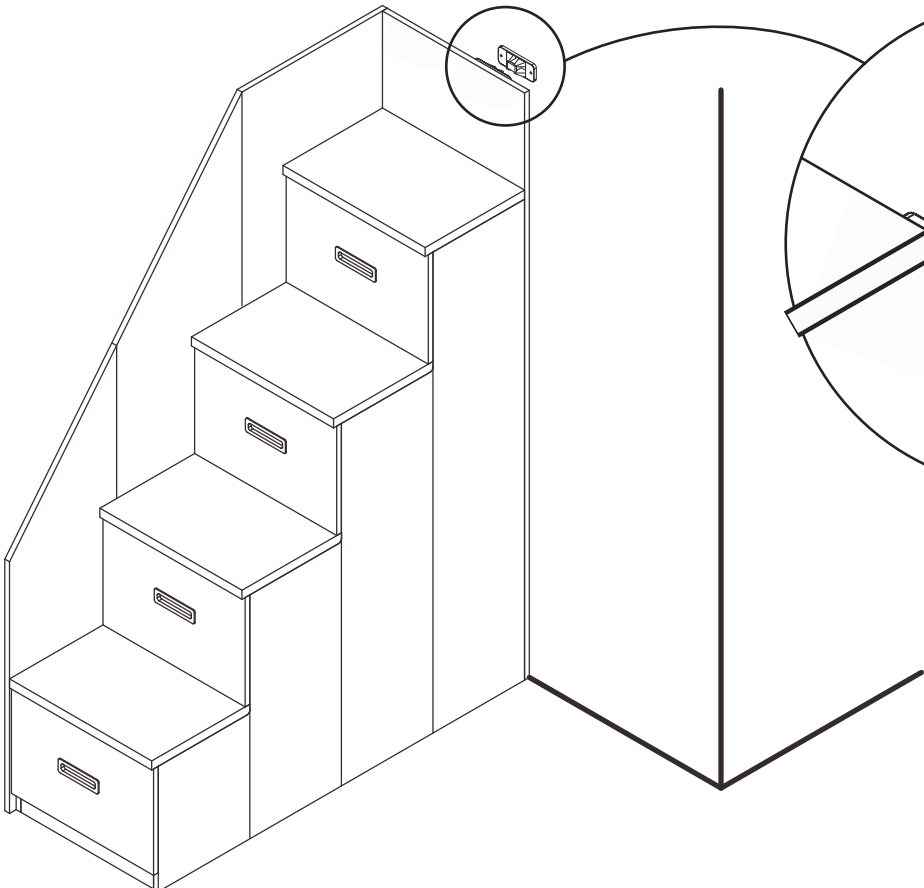
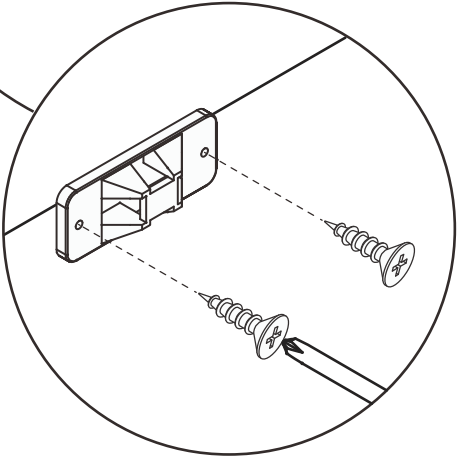
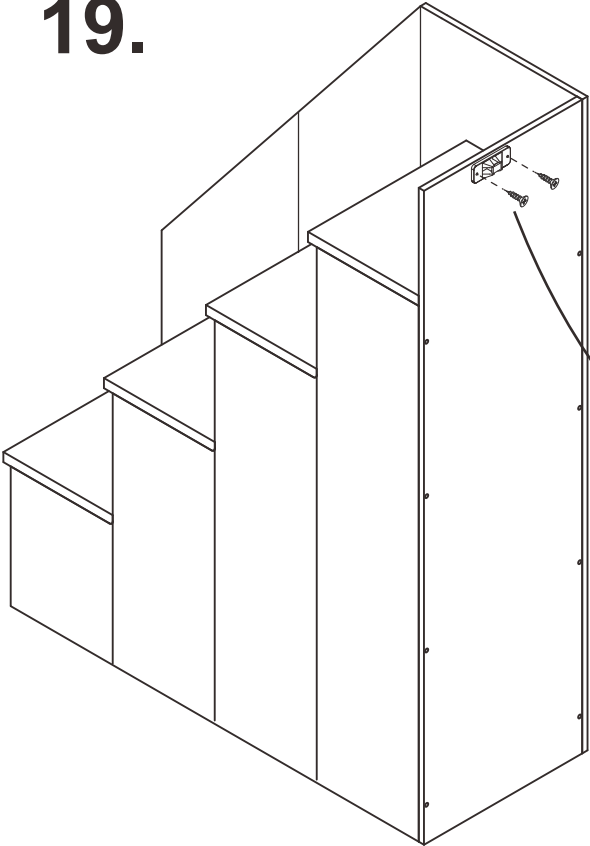
17.



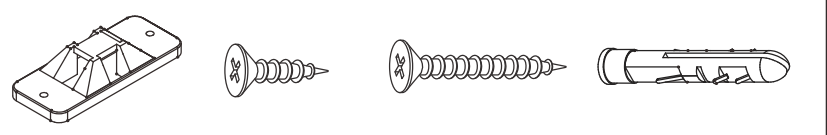
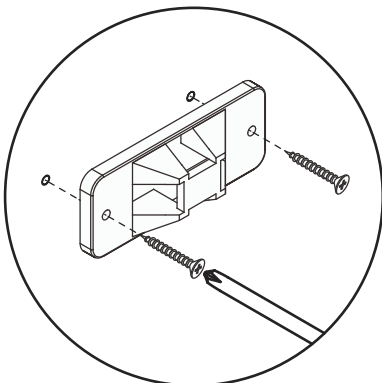
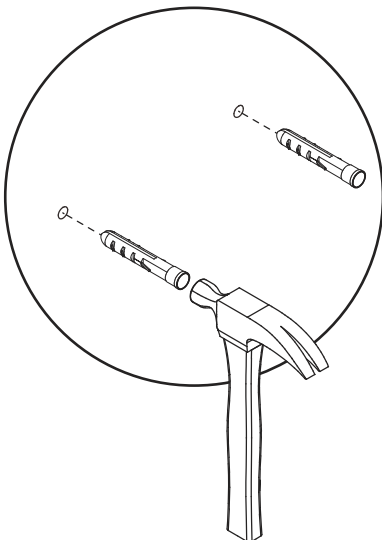
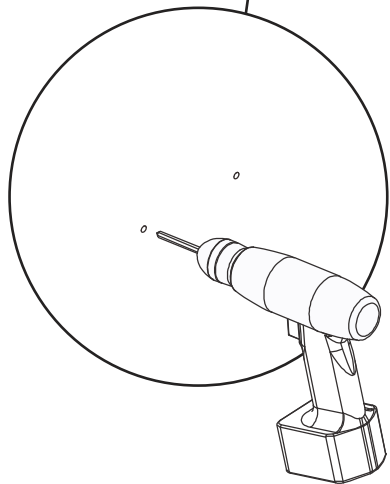
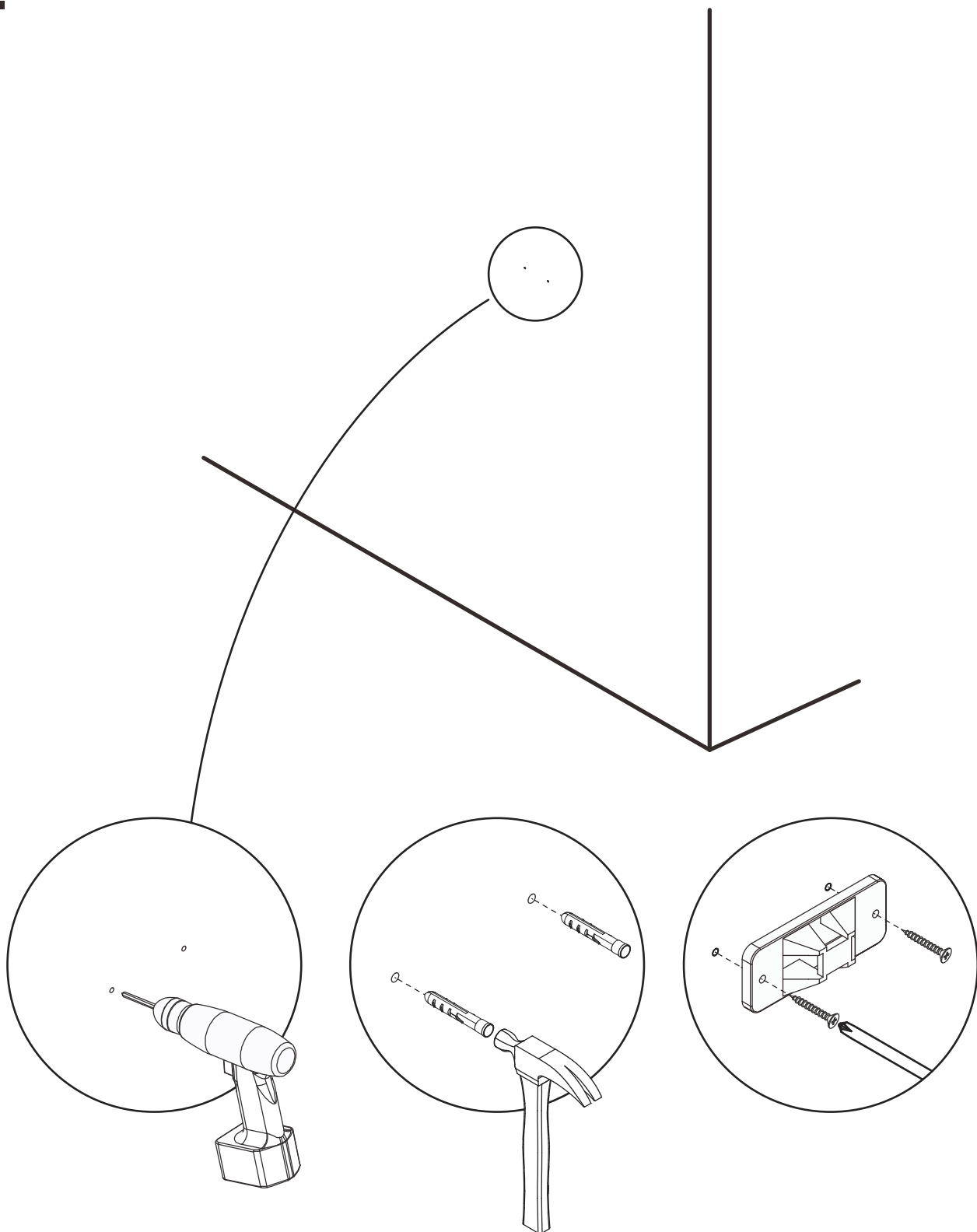
18.



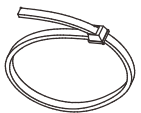
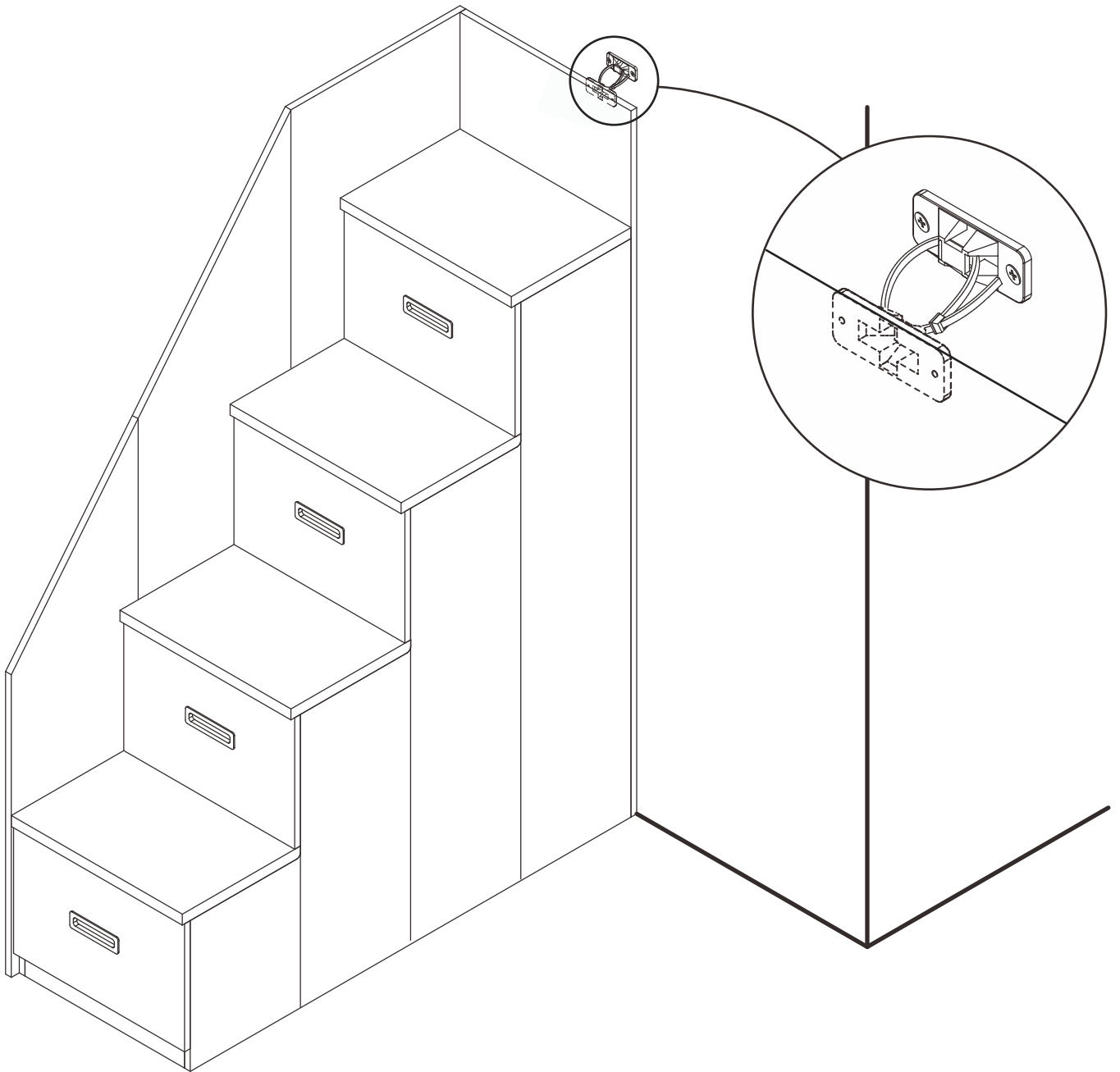
19.

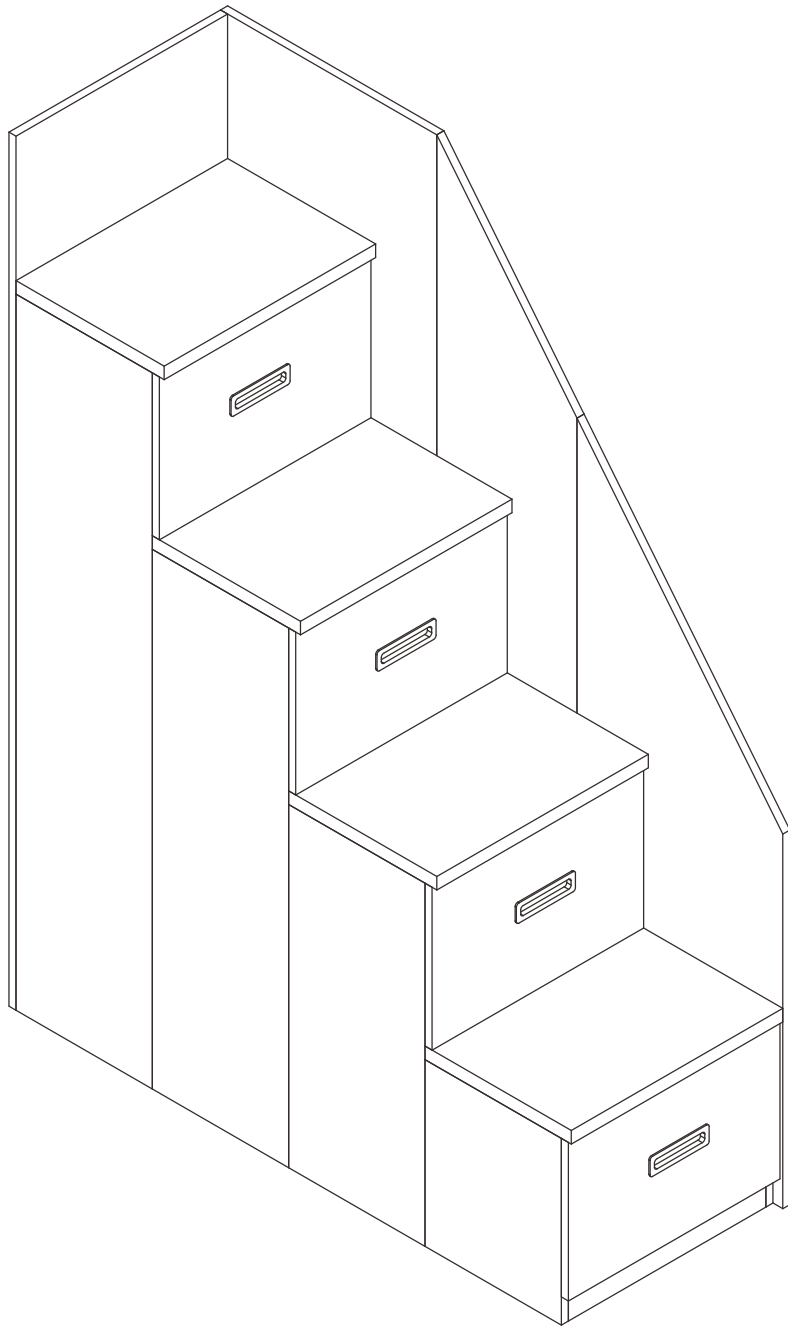


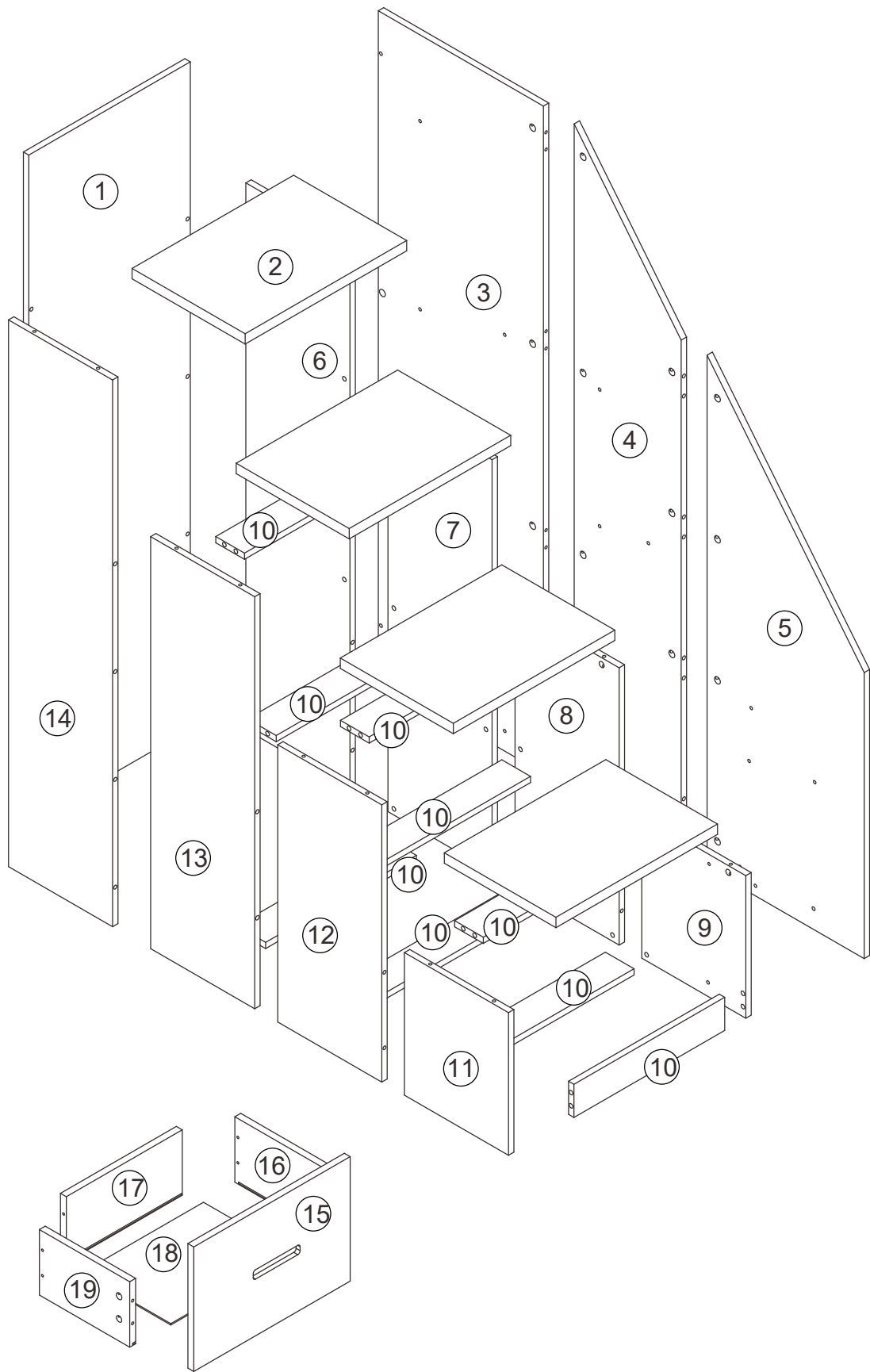
20.

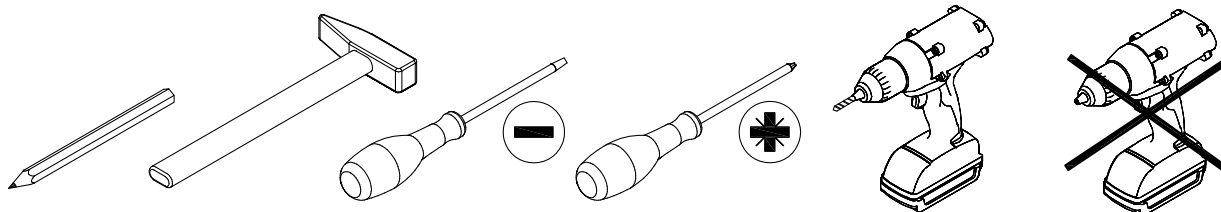


21.

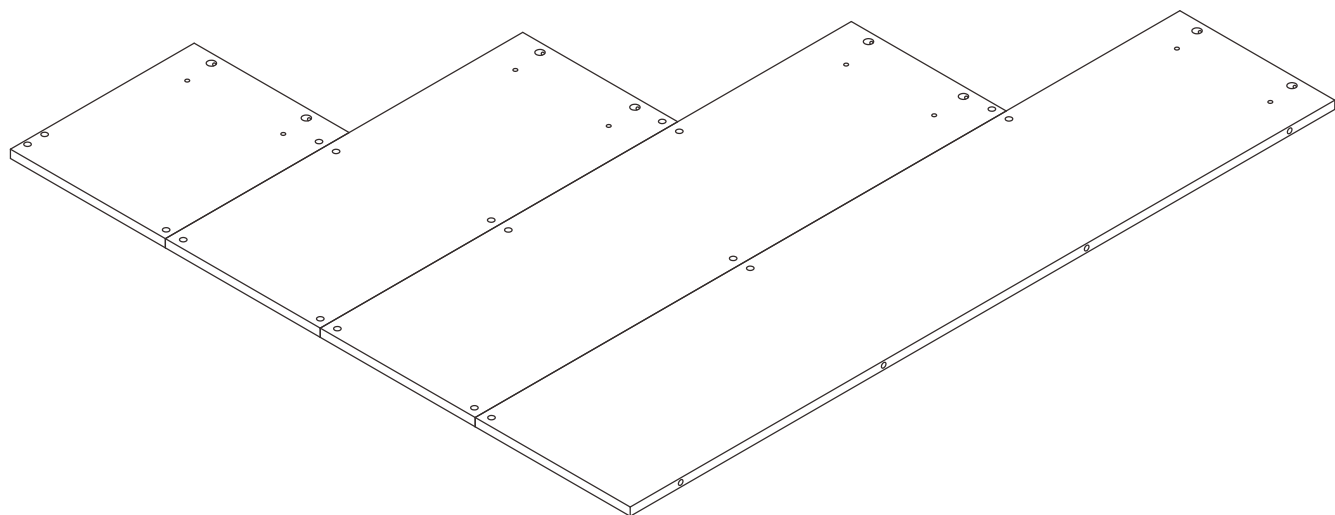
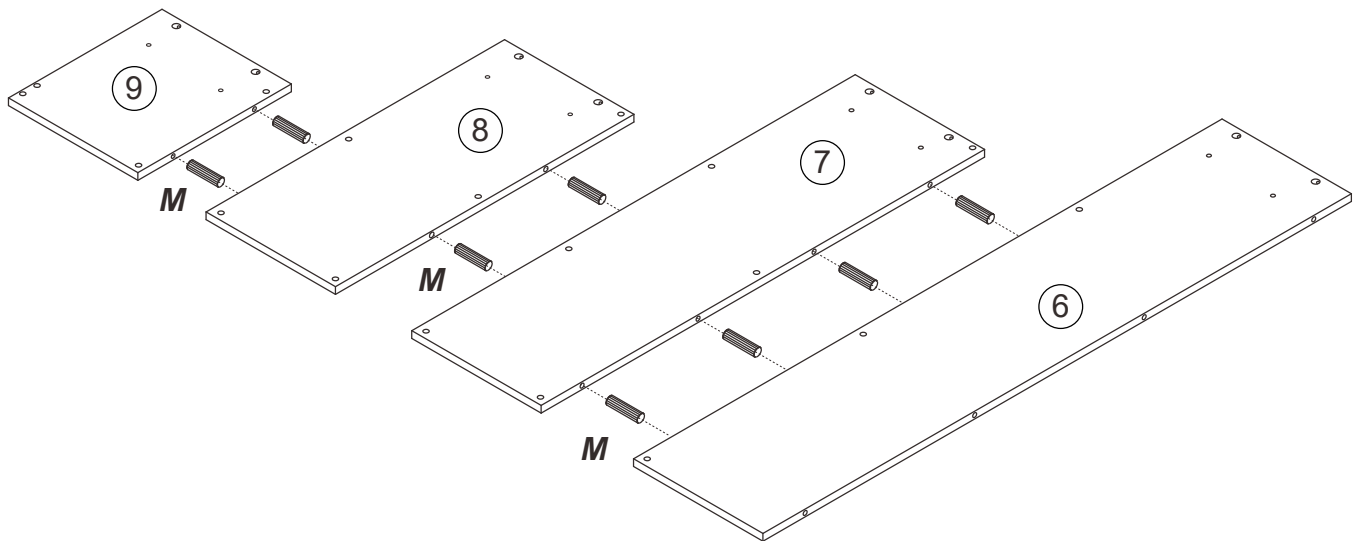




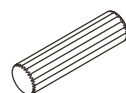




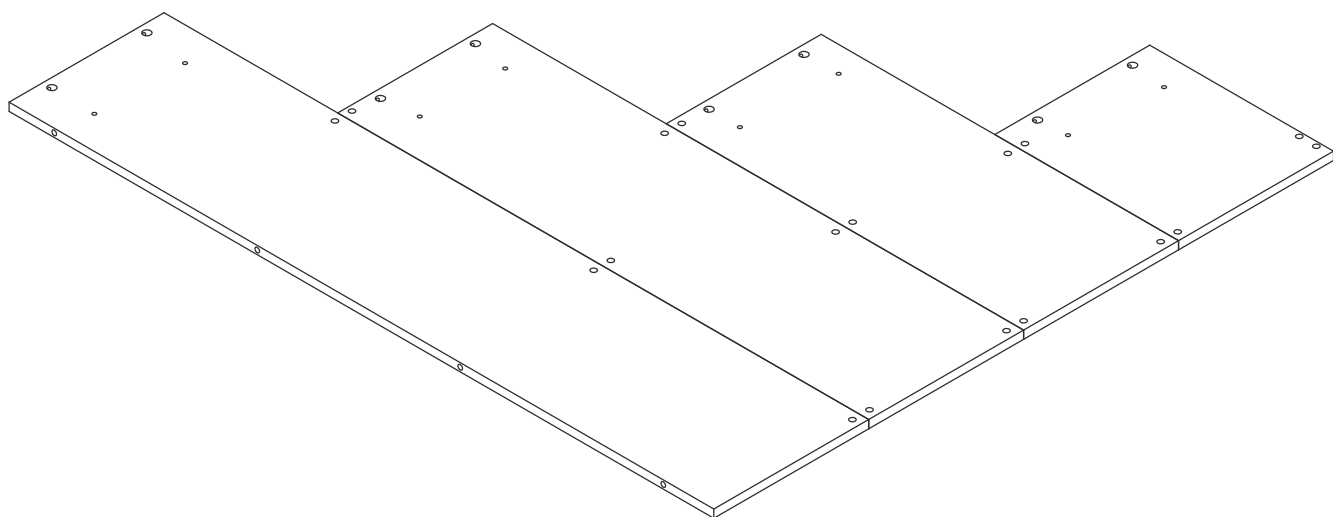
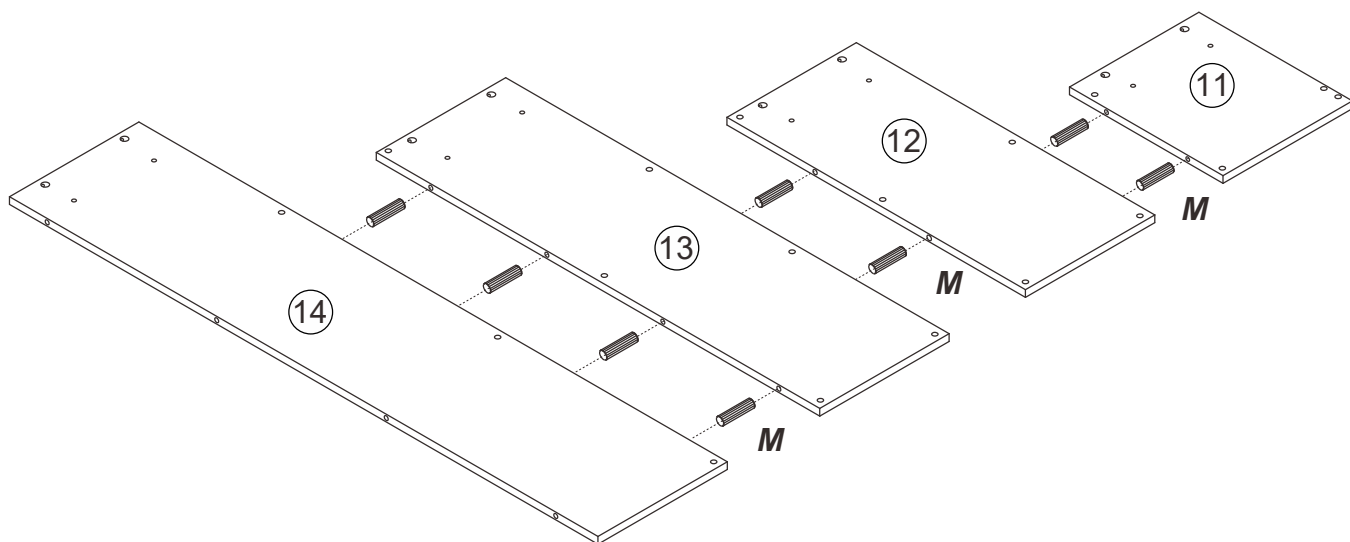
1.



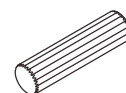
Mx8



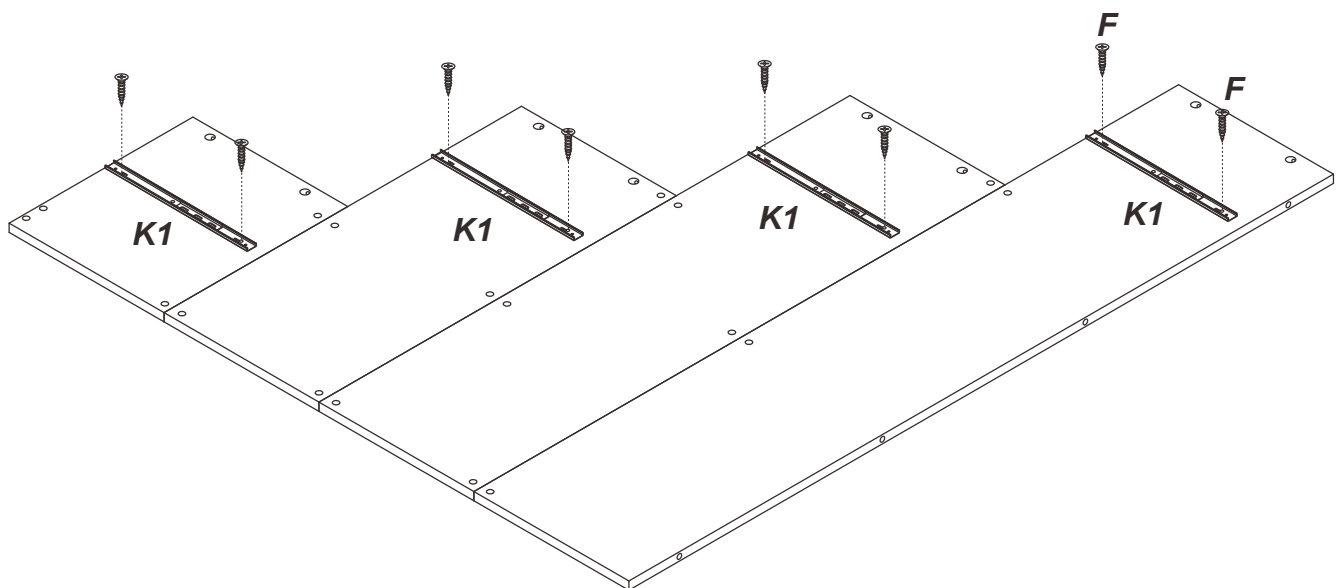
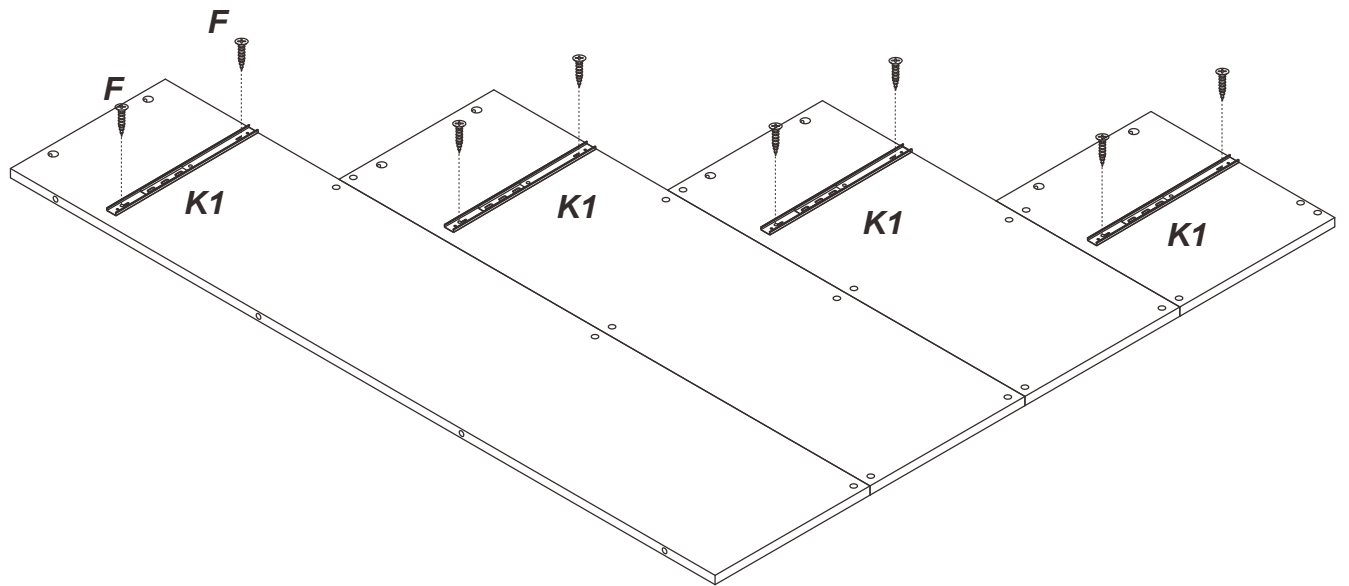
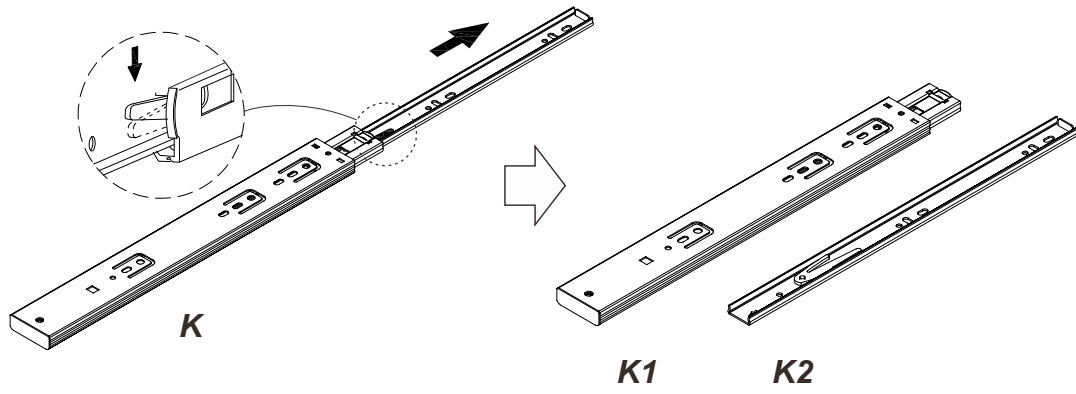
2.



Mx8



3.



Fx16

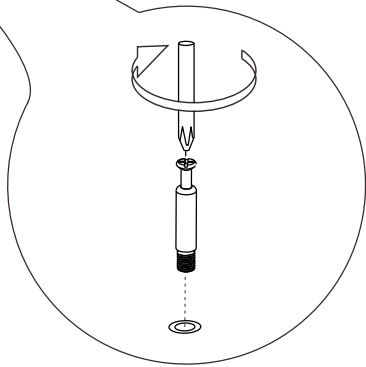
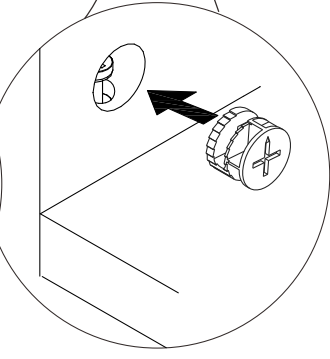
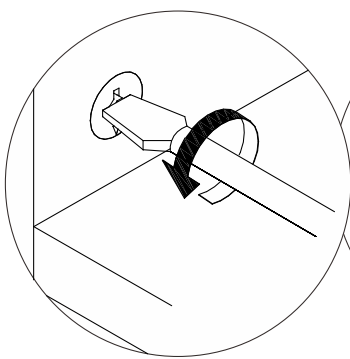
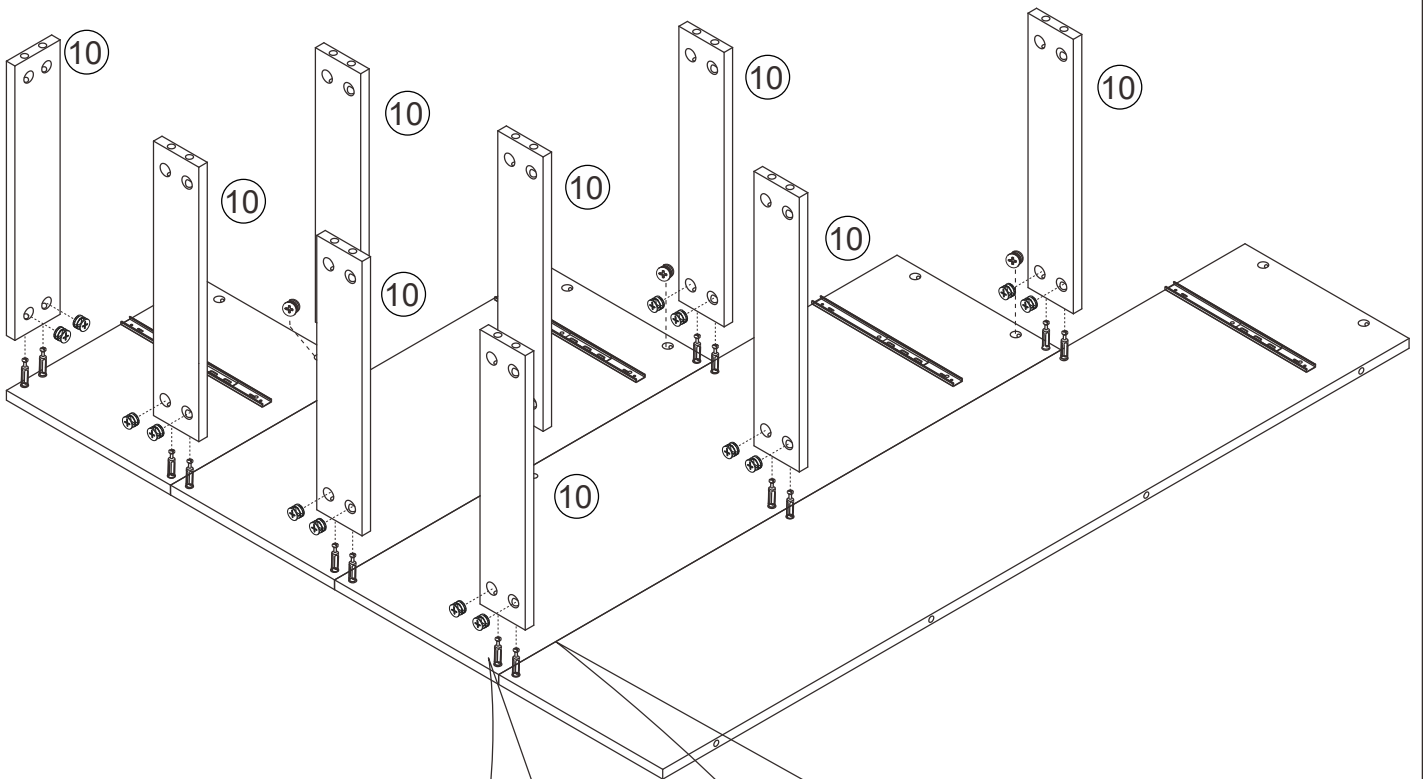


3.5*13

Kx4

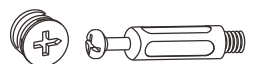


4.

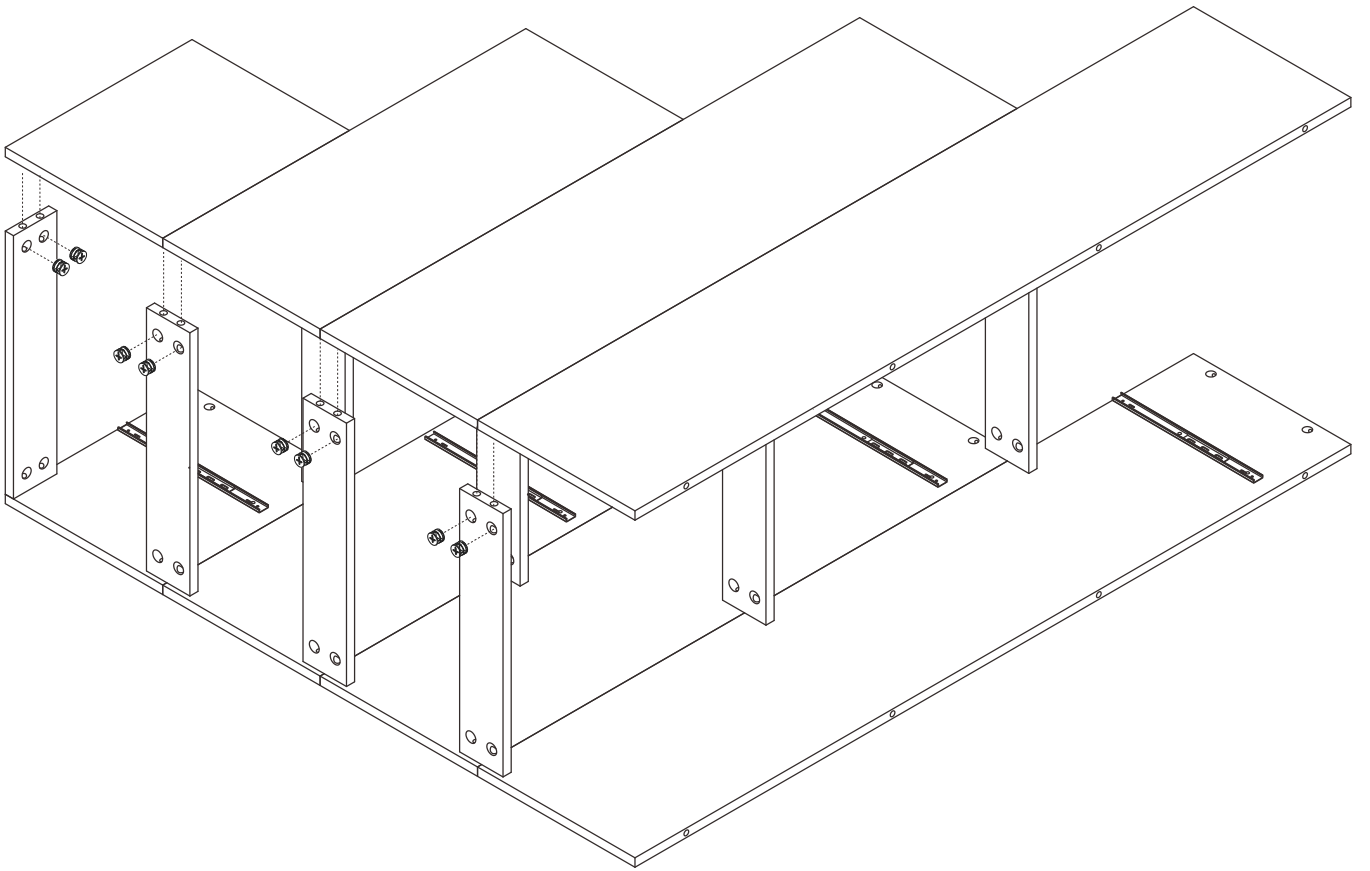


x3

Ax18



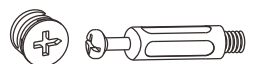
5.



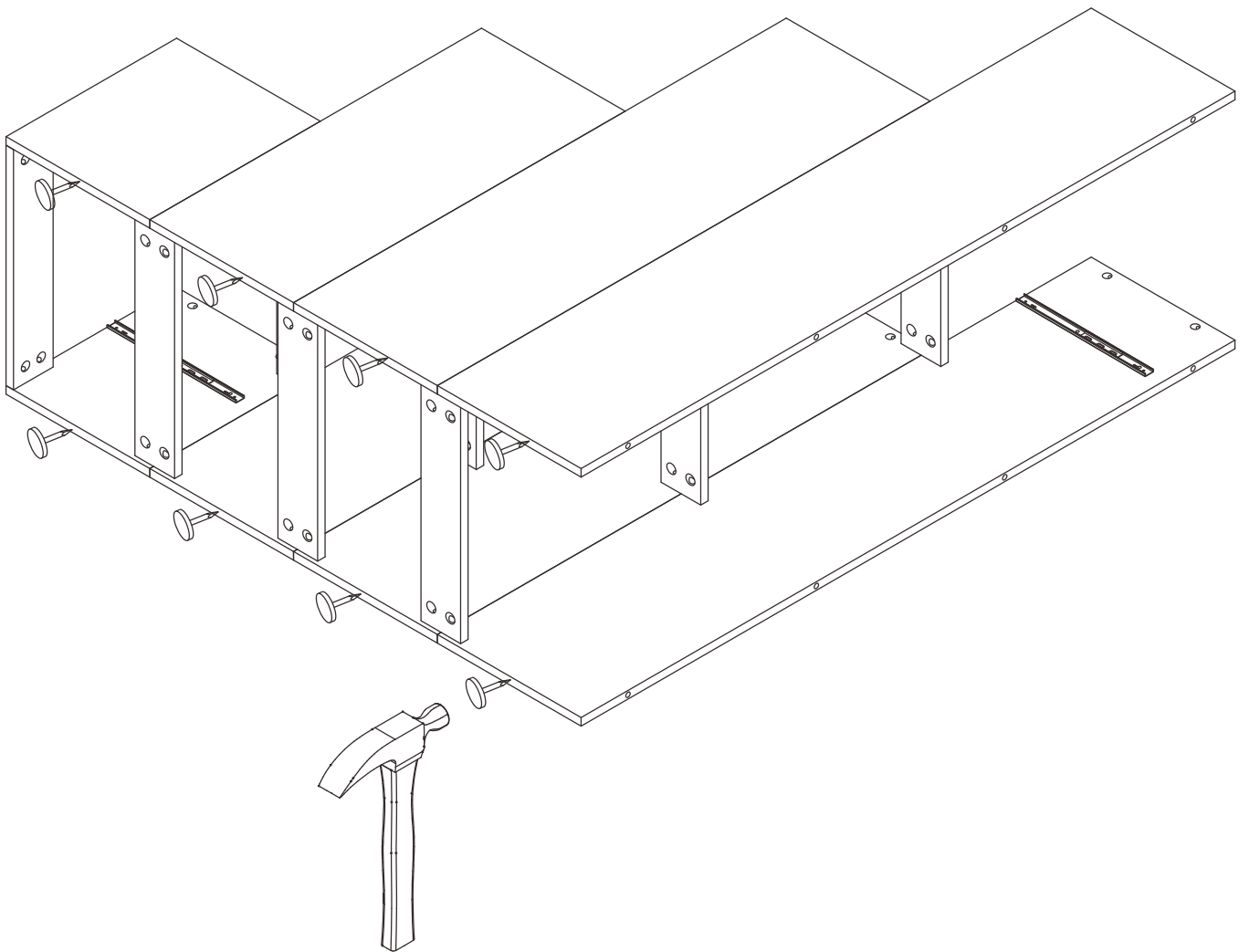
x3



Ax18



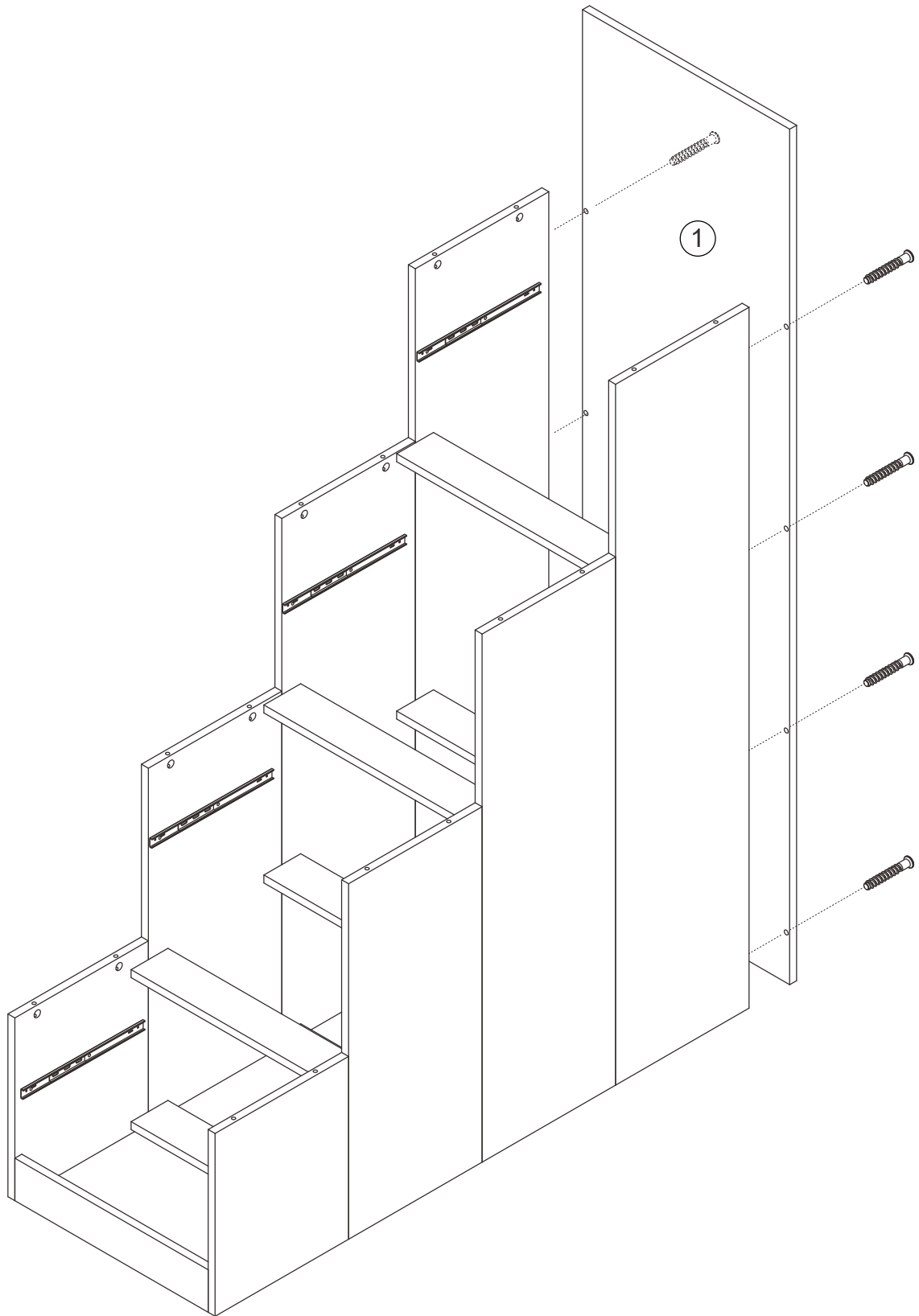
6.



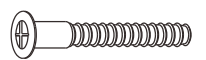
Bx8



7.

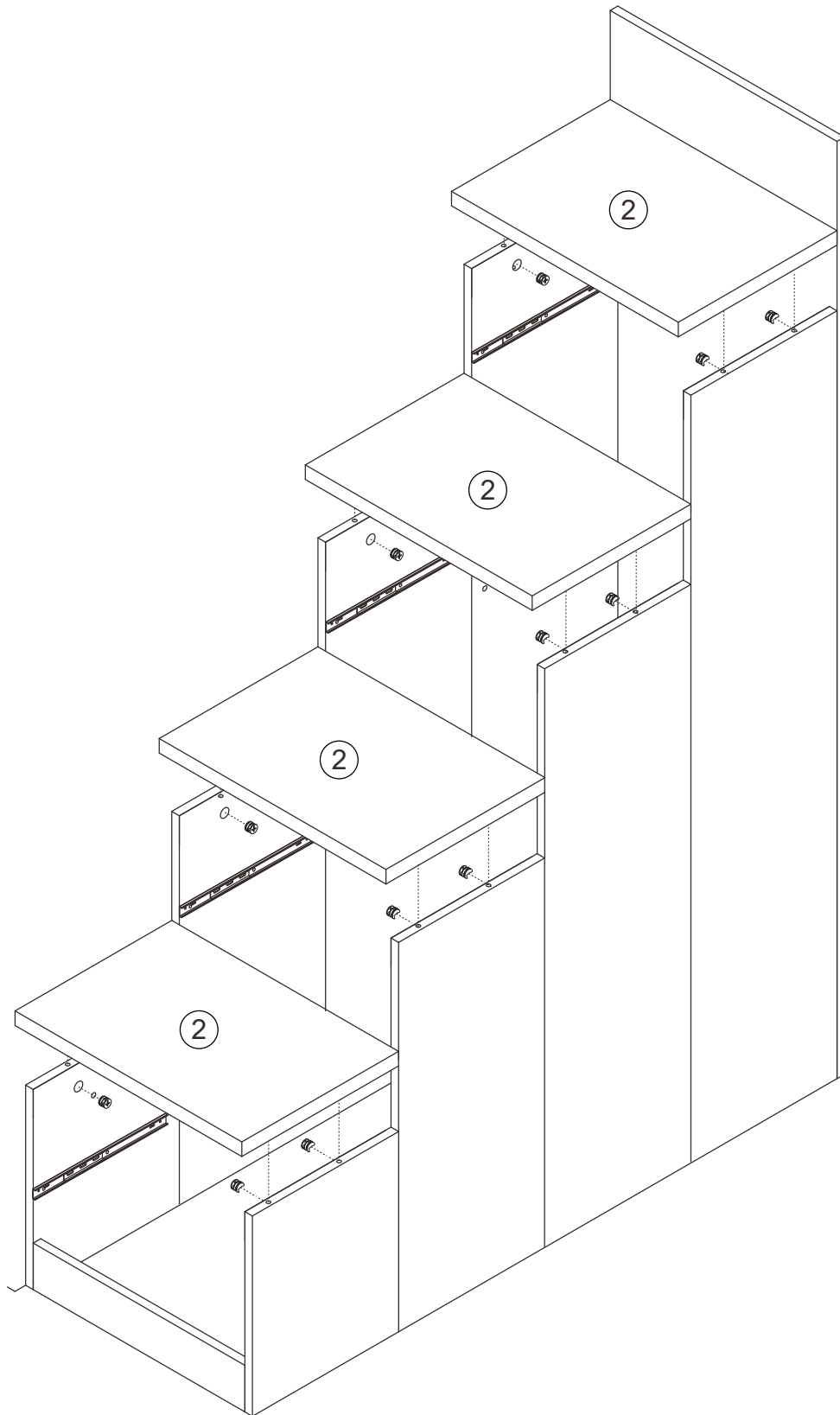


Cx8



M7*38

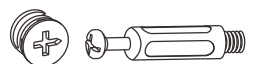
8.



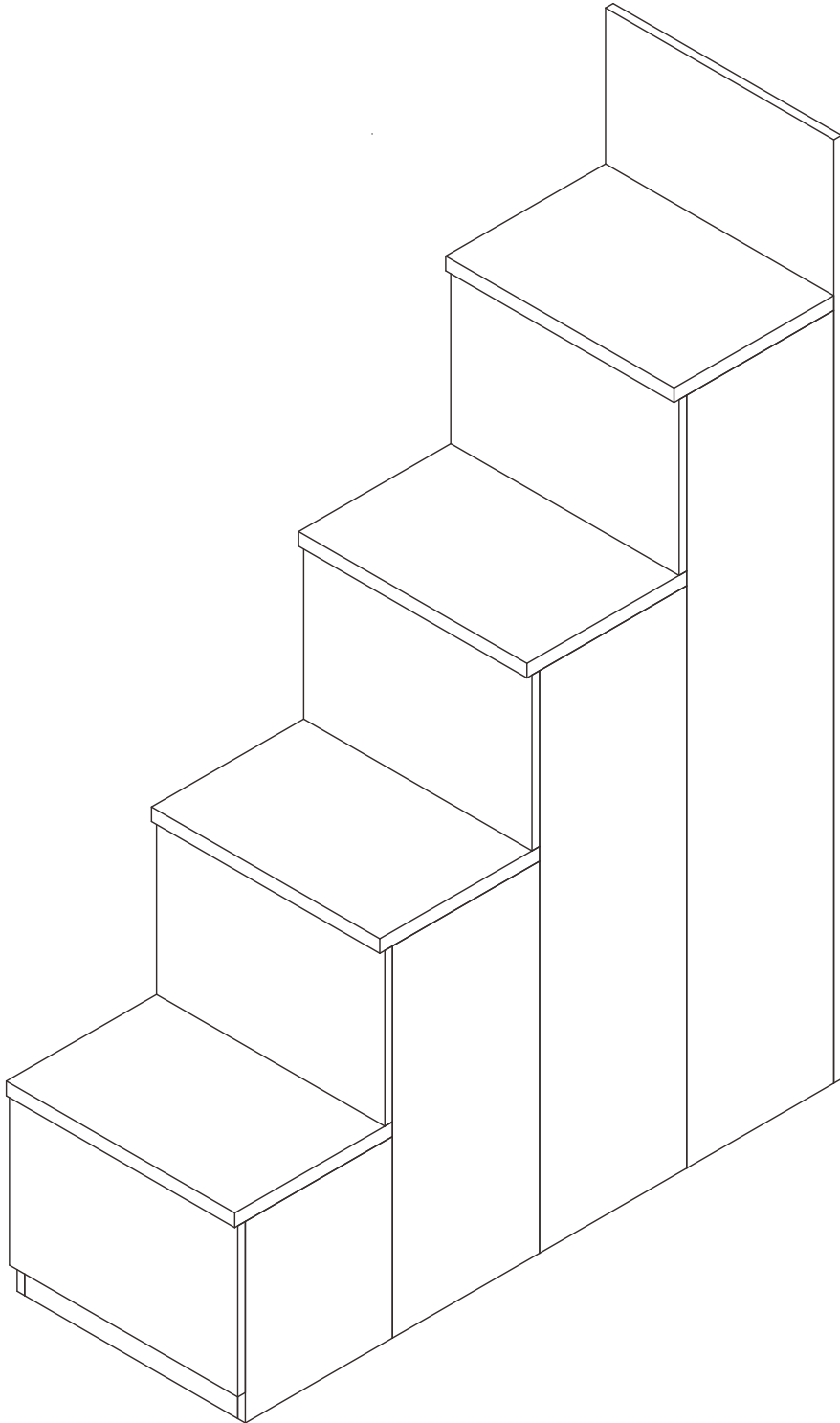
x6



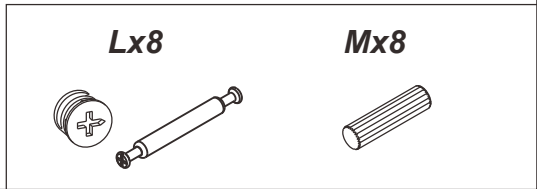
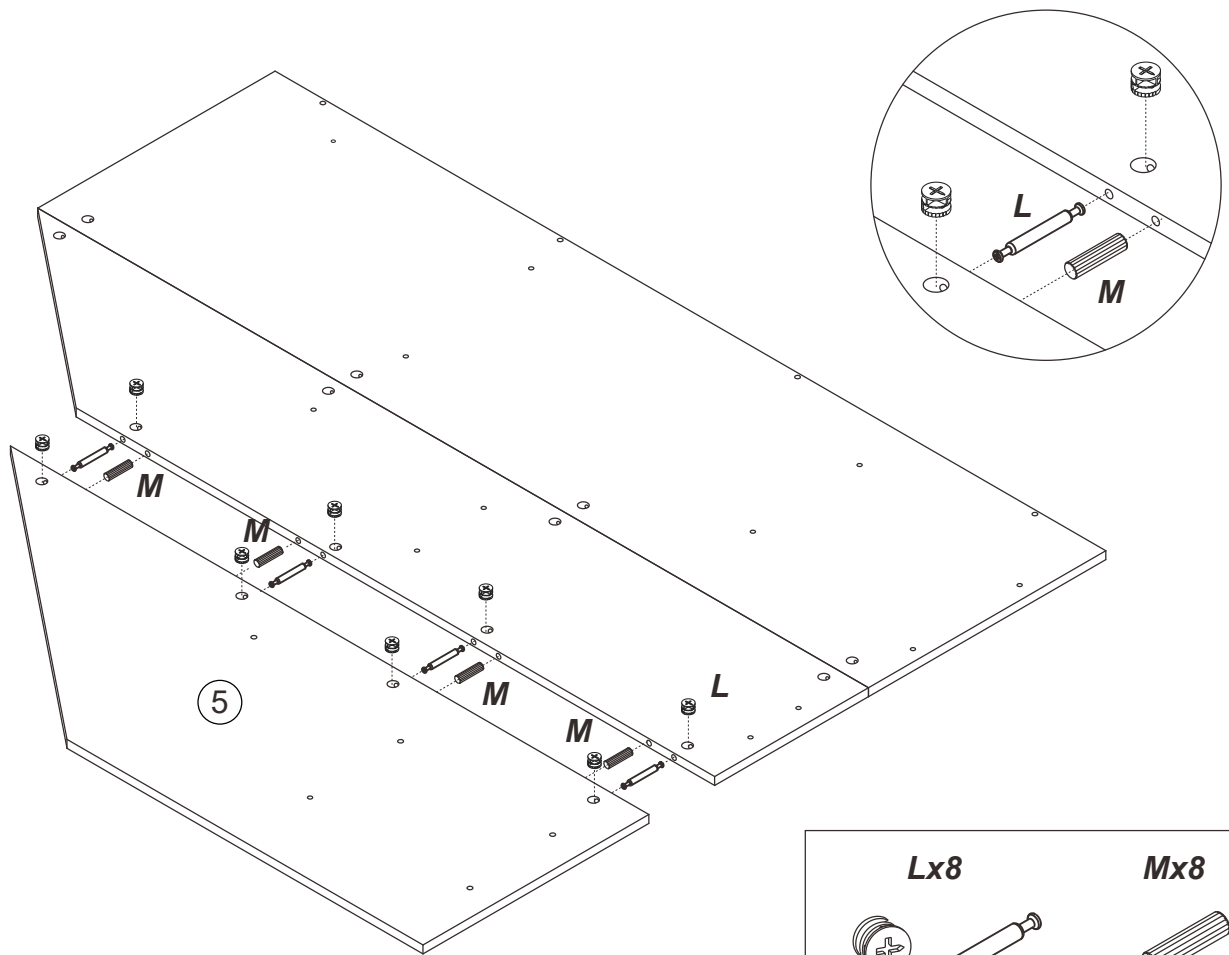
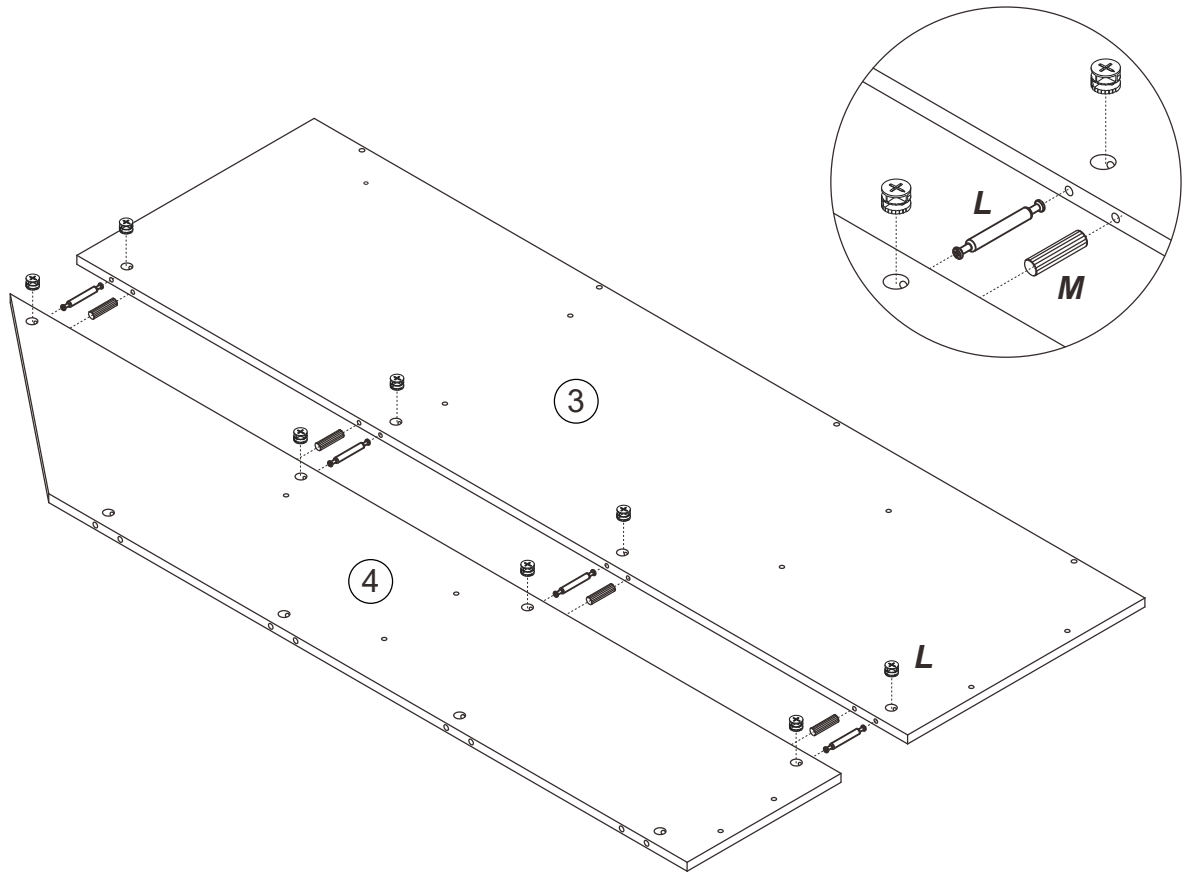
Ax10



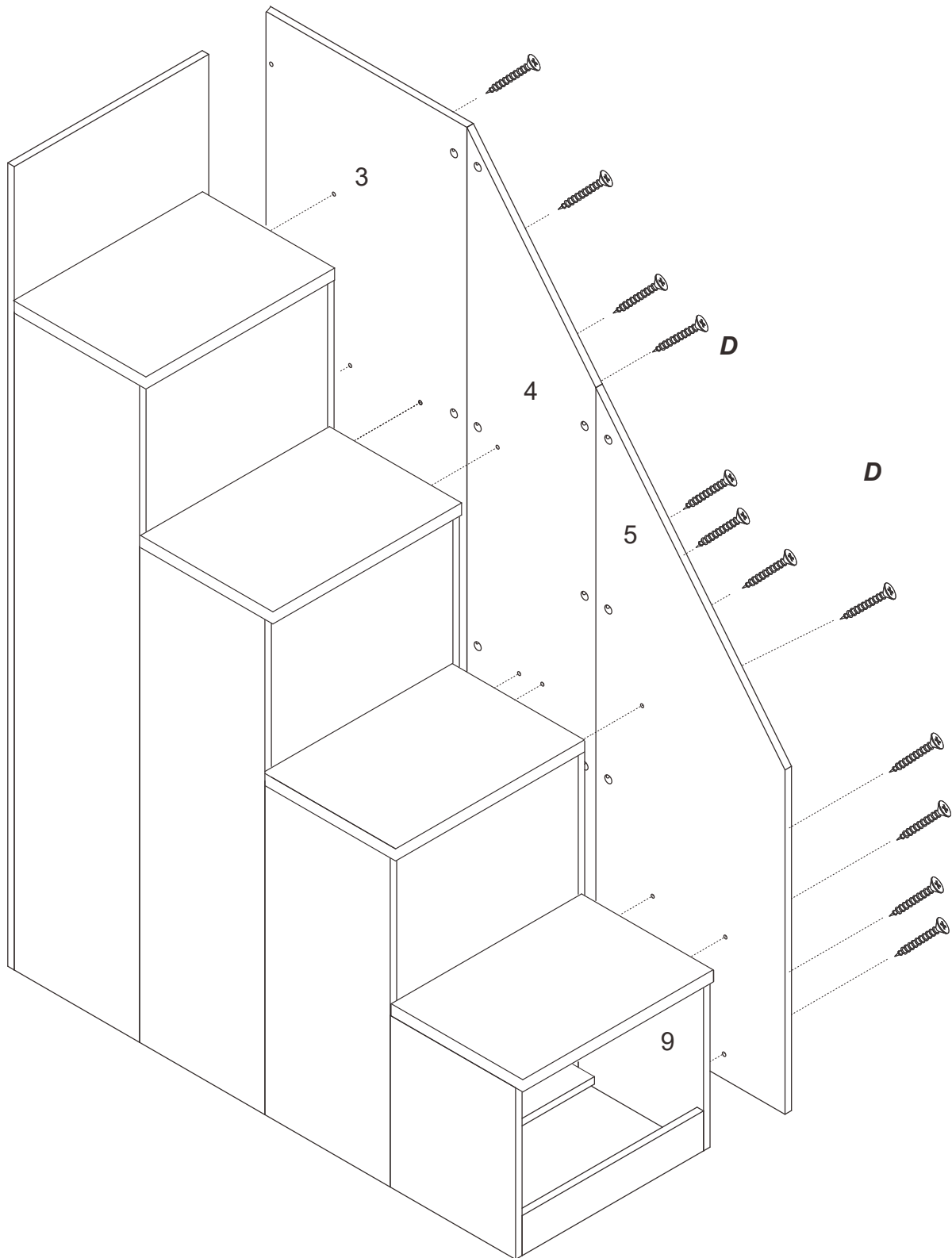
9.



10.

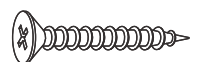


11.

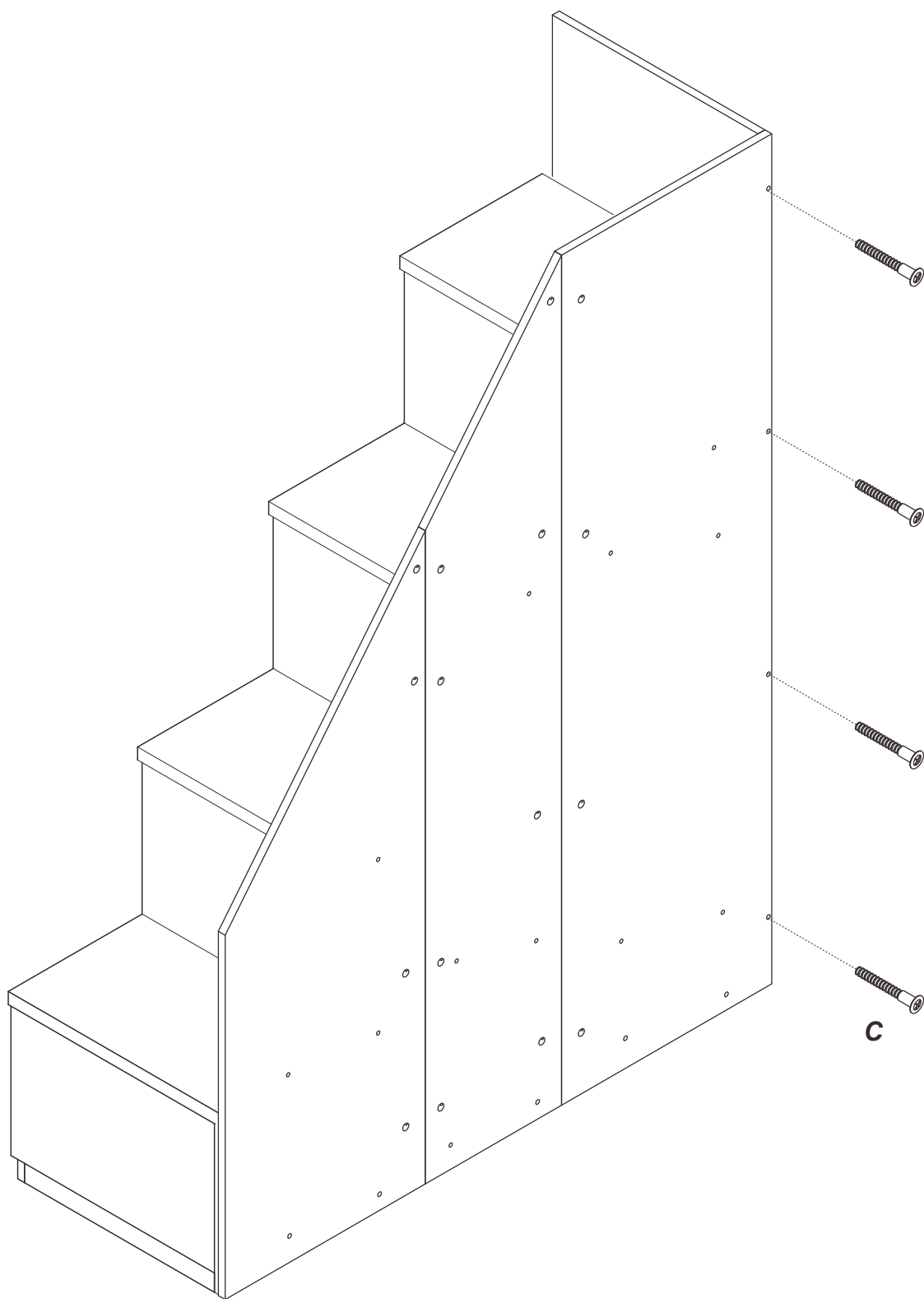


Note: on panels 6-9, the holes are not punched so that the stair can be switched as needed. There are 17 holes on the grey panels, please use the provided fixing screw (D) to drill through.

Dx17

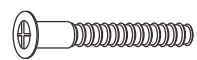


12.



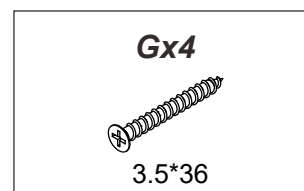
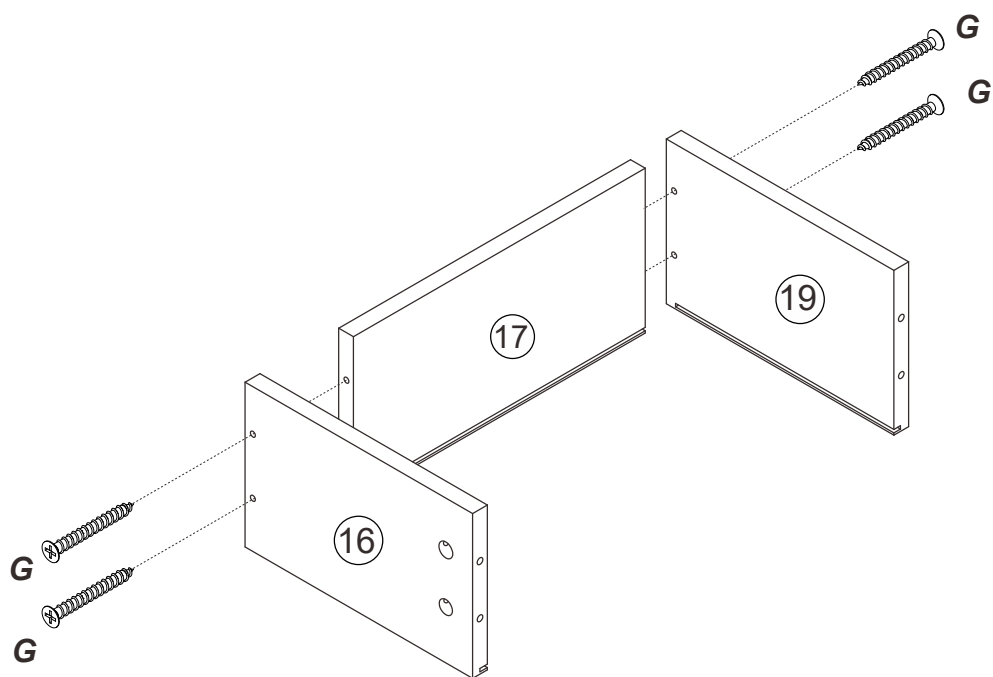
C

Cx4

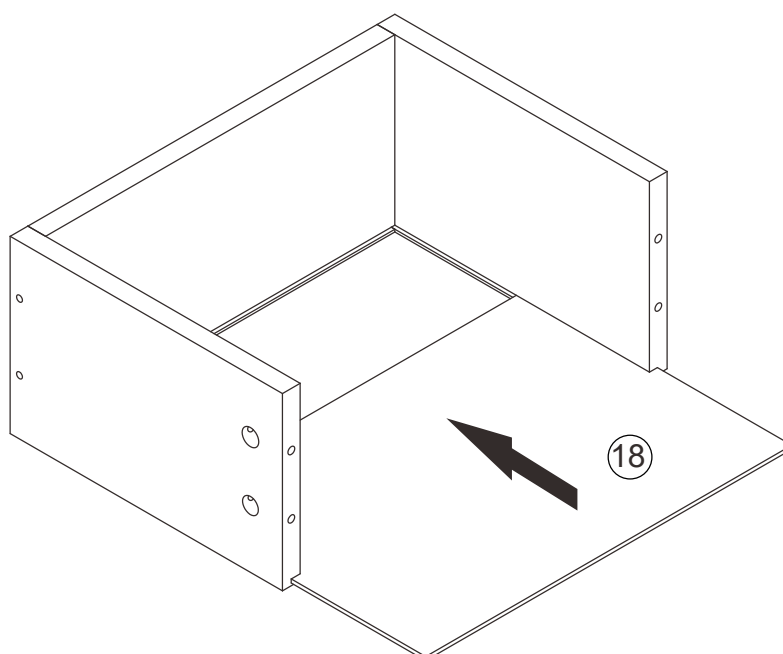


M7*38

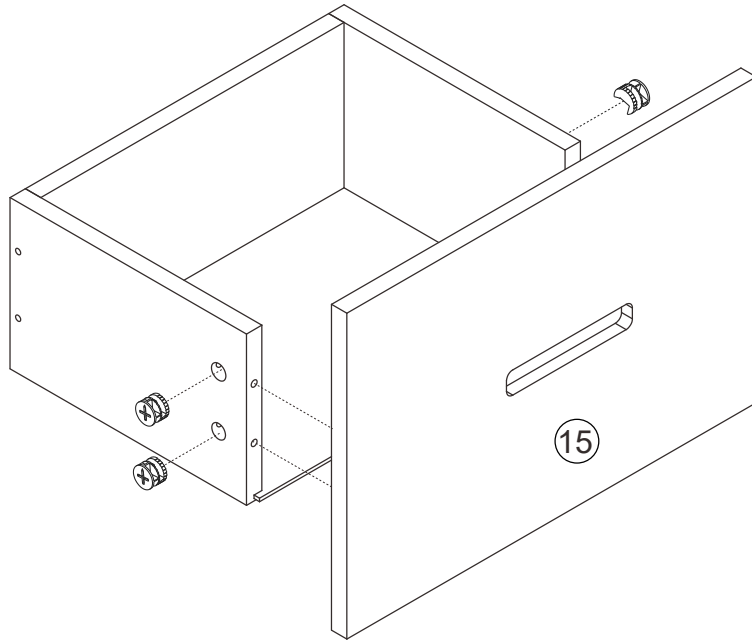
13.



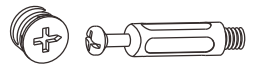
14.



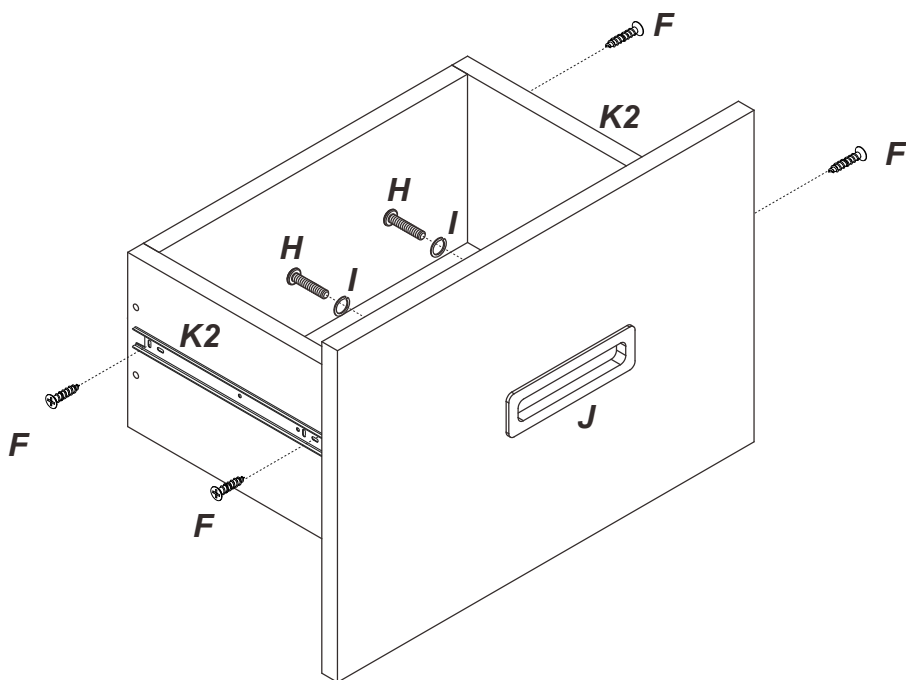
15.



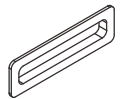
Ax4



16.



Jx1



Jx2



M4*10

Ix2



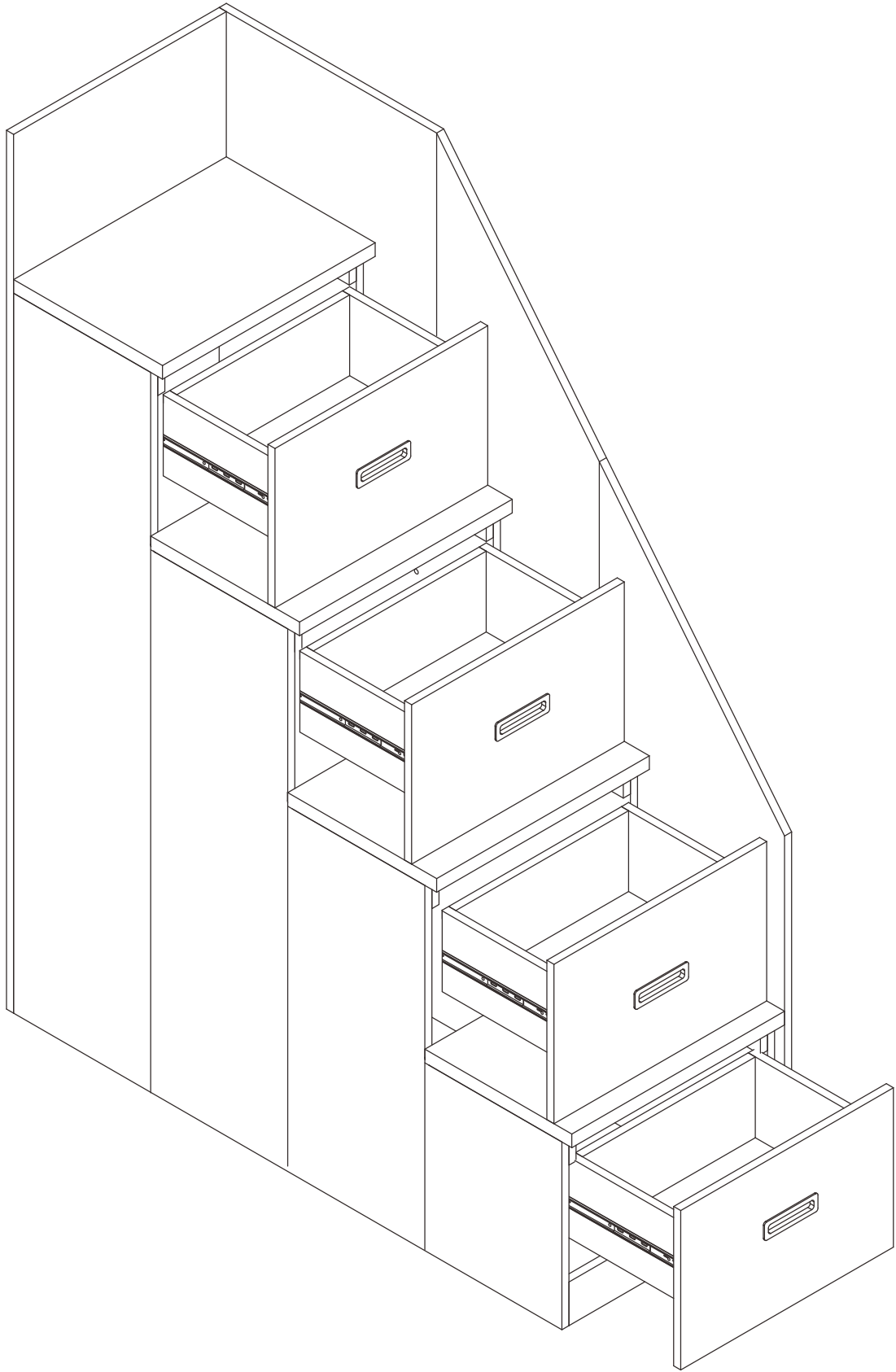
Nx6



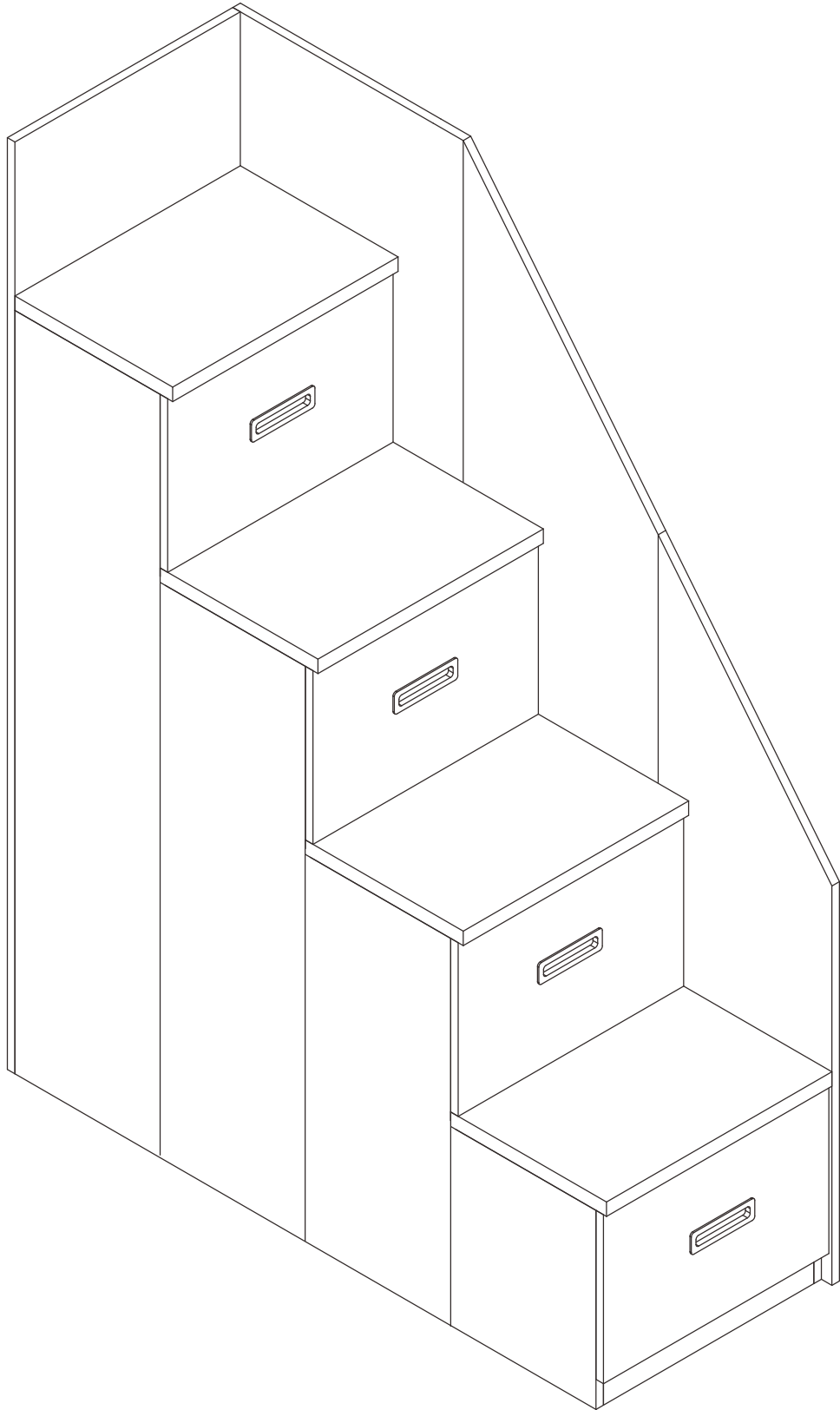
3.5*13

x4

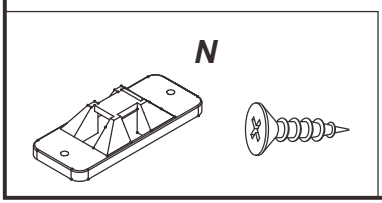
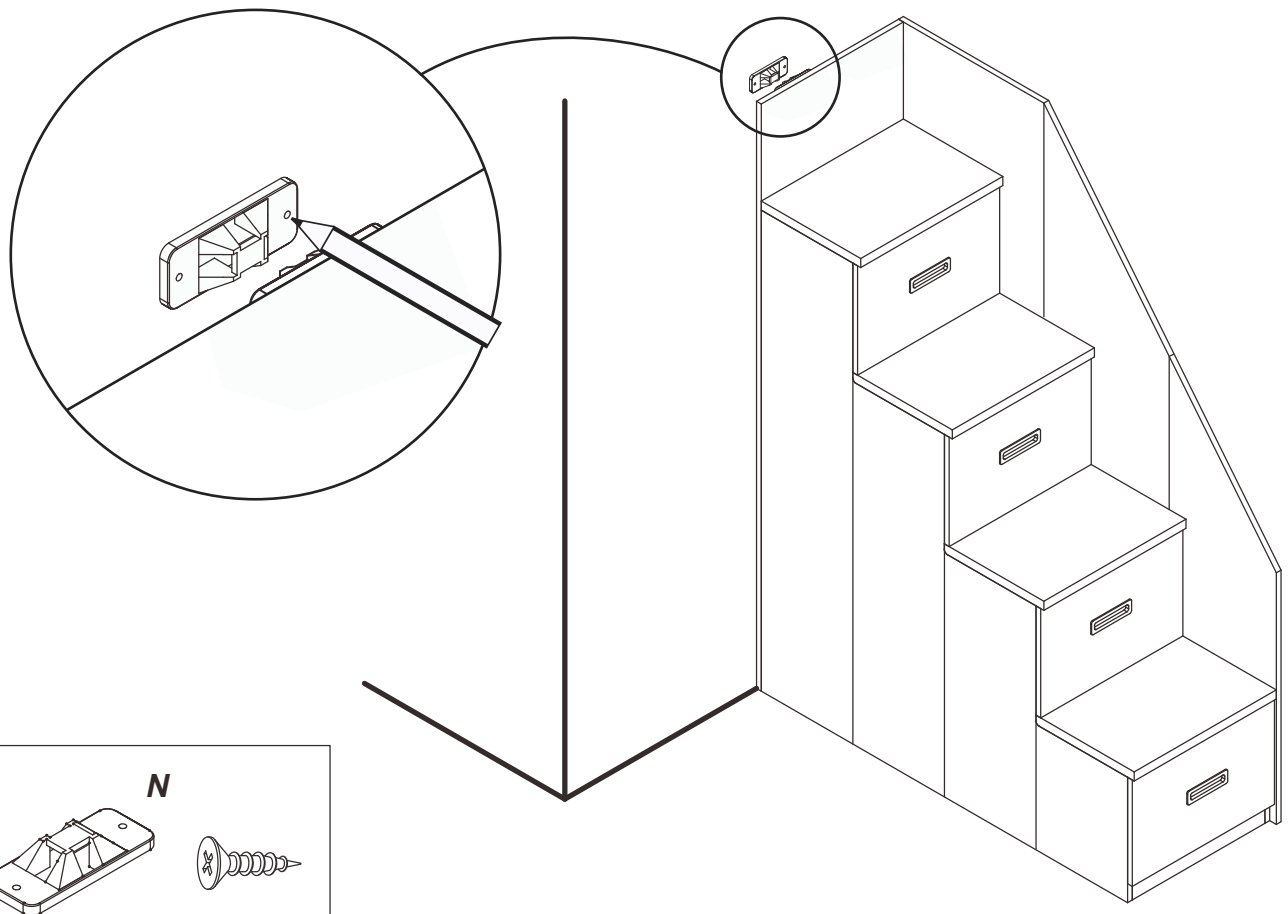
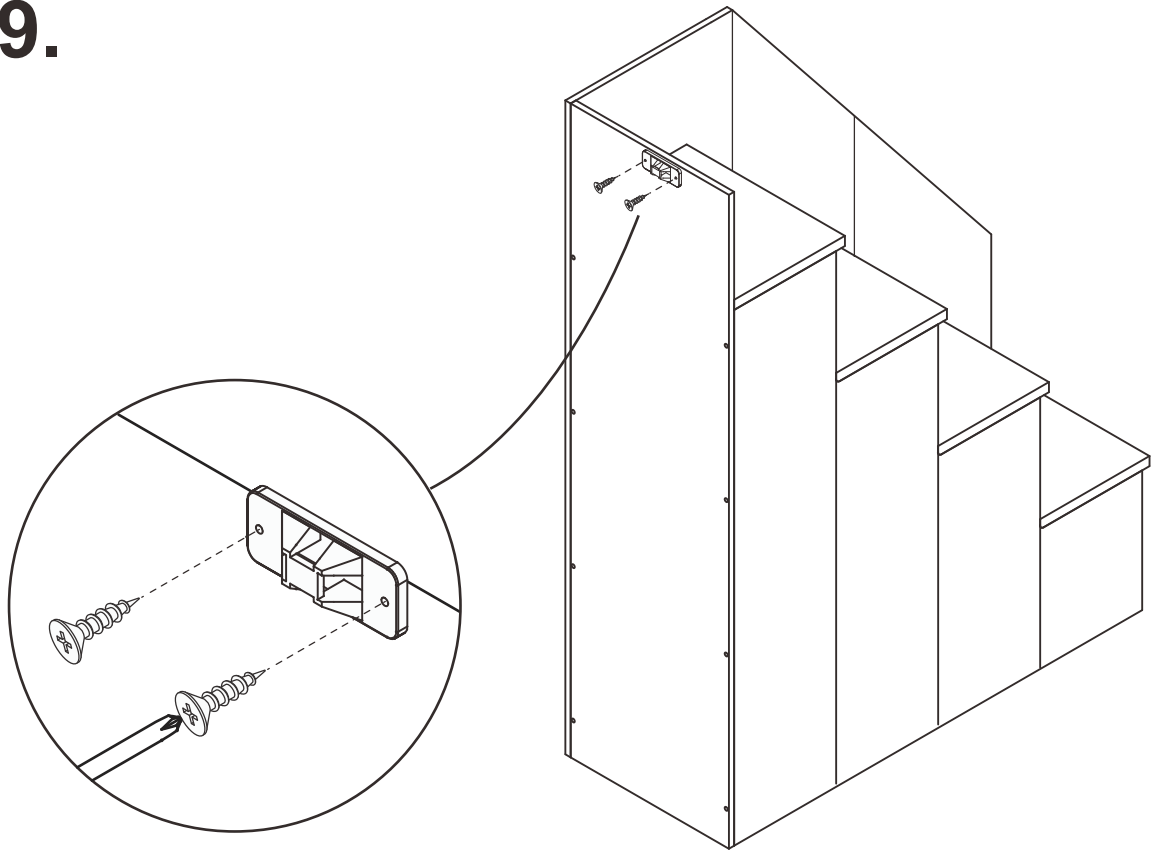
17.



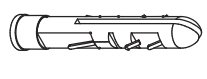
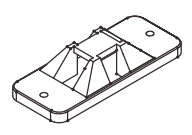
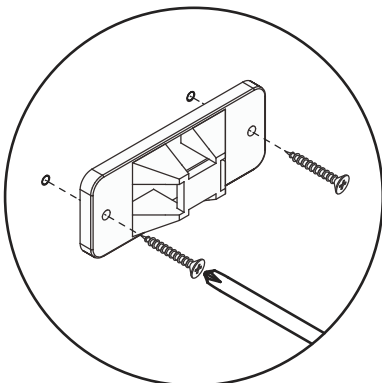
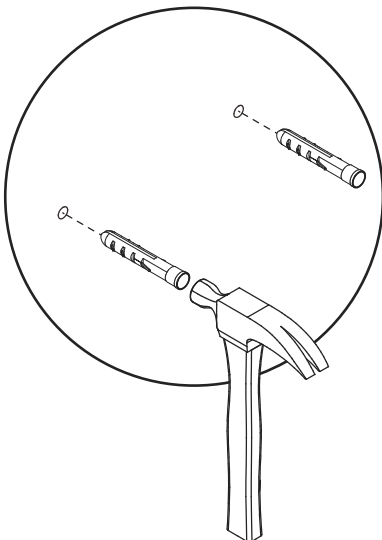
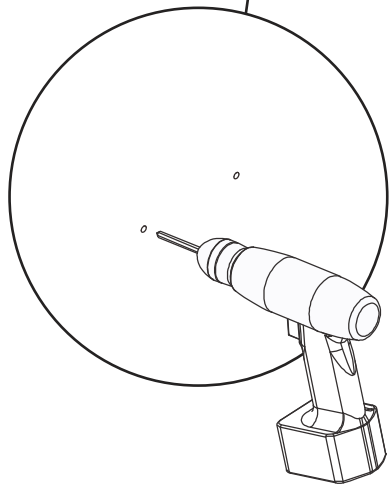
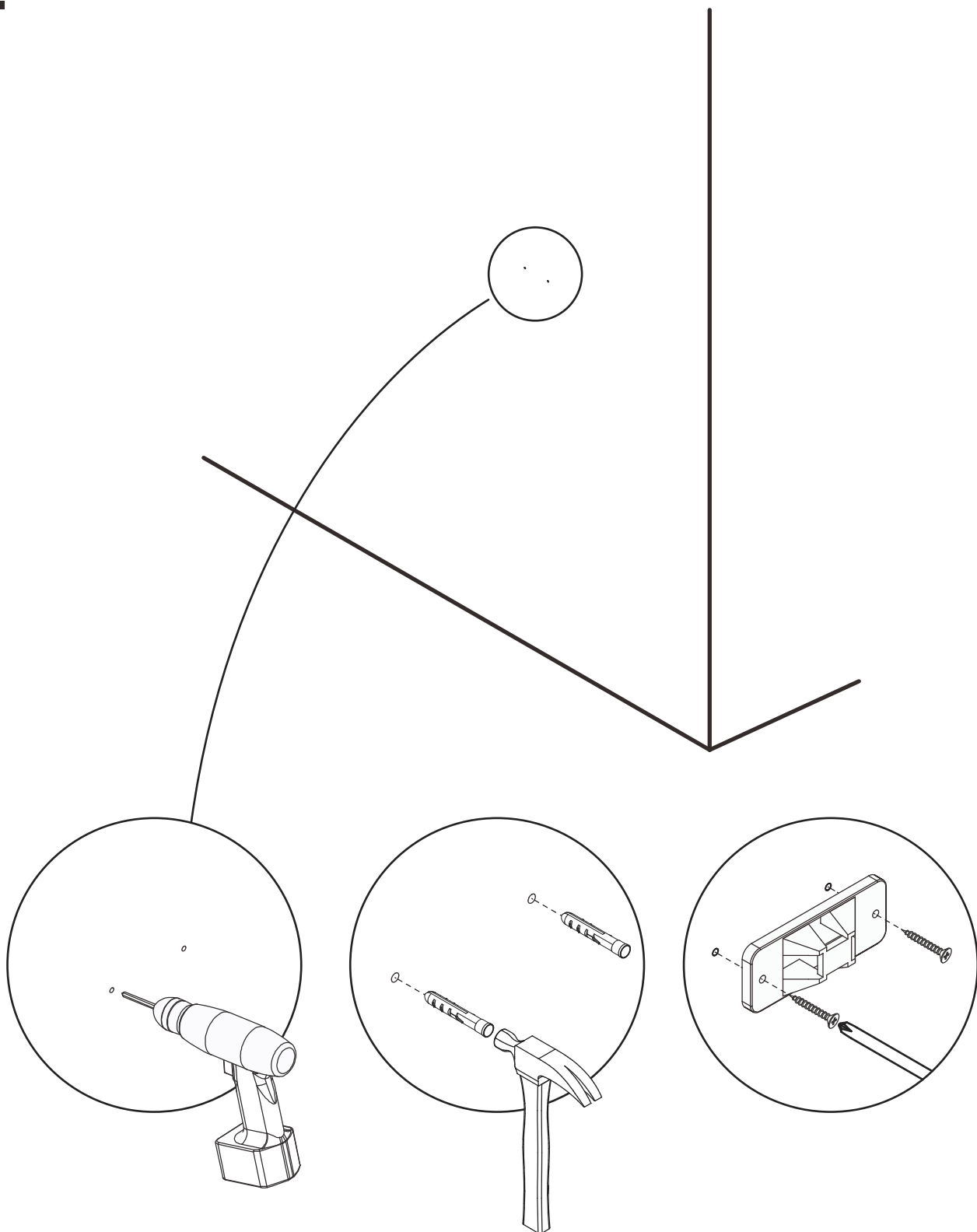
18.



19.



20.



21.

