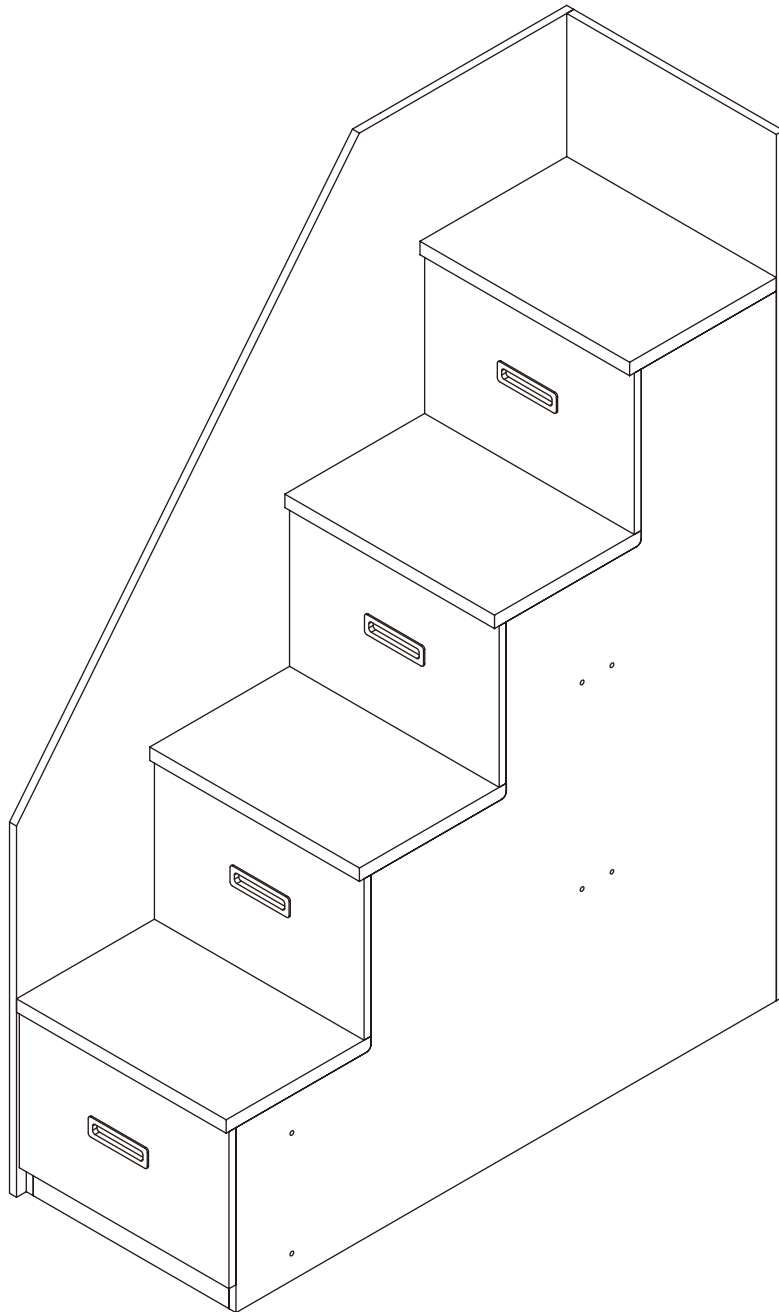
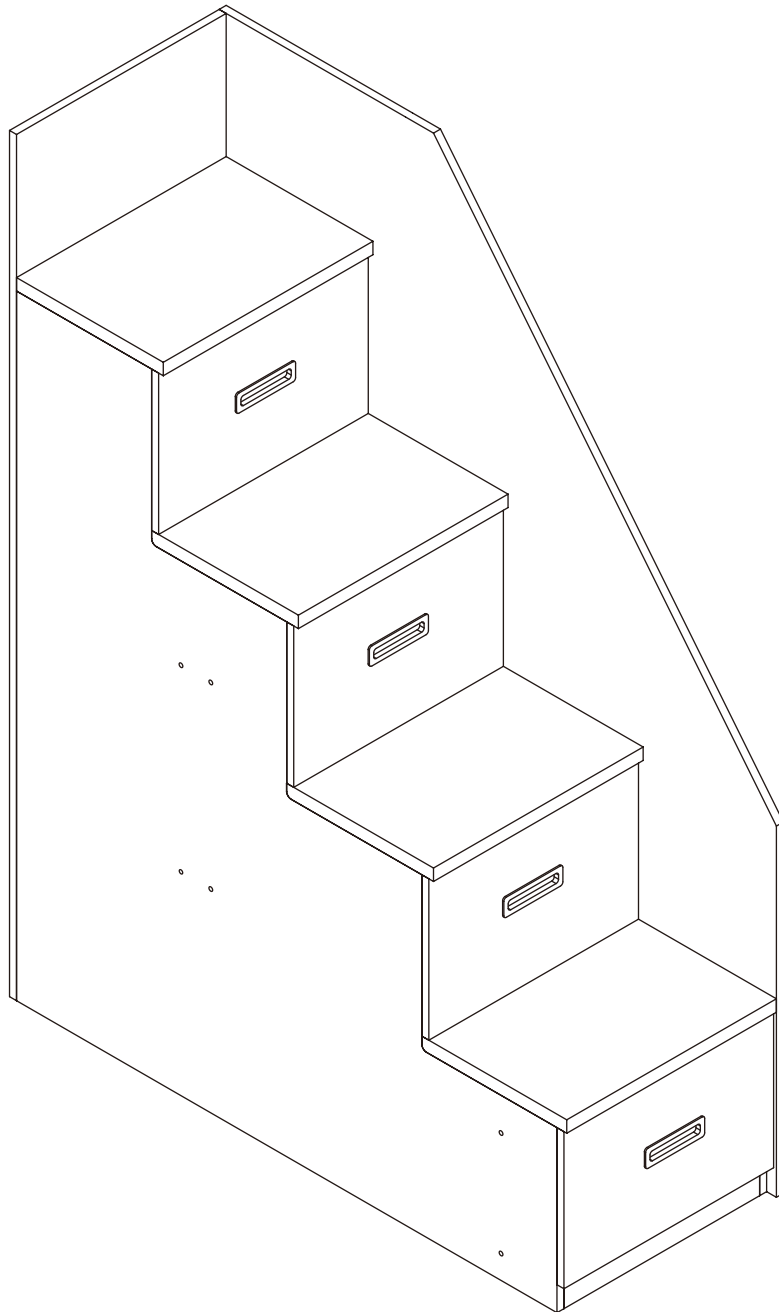


TEOM Stair Installation Manual (One Panel Version)

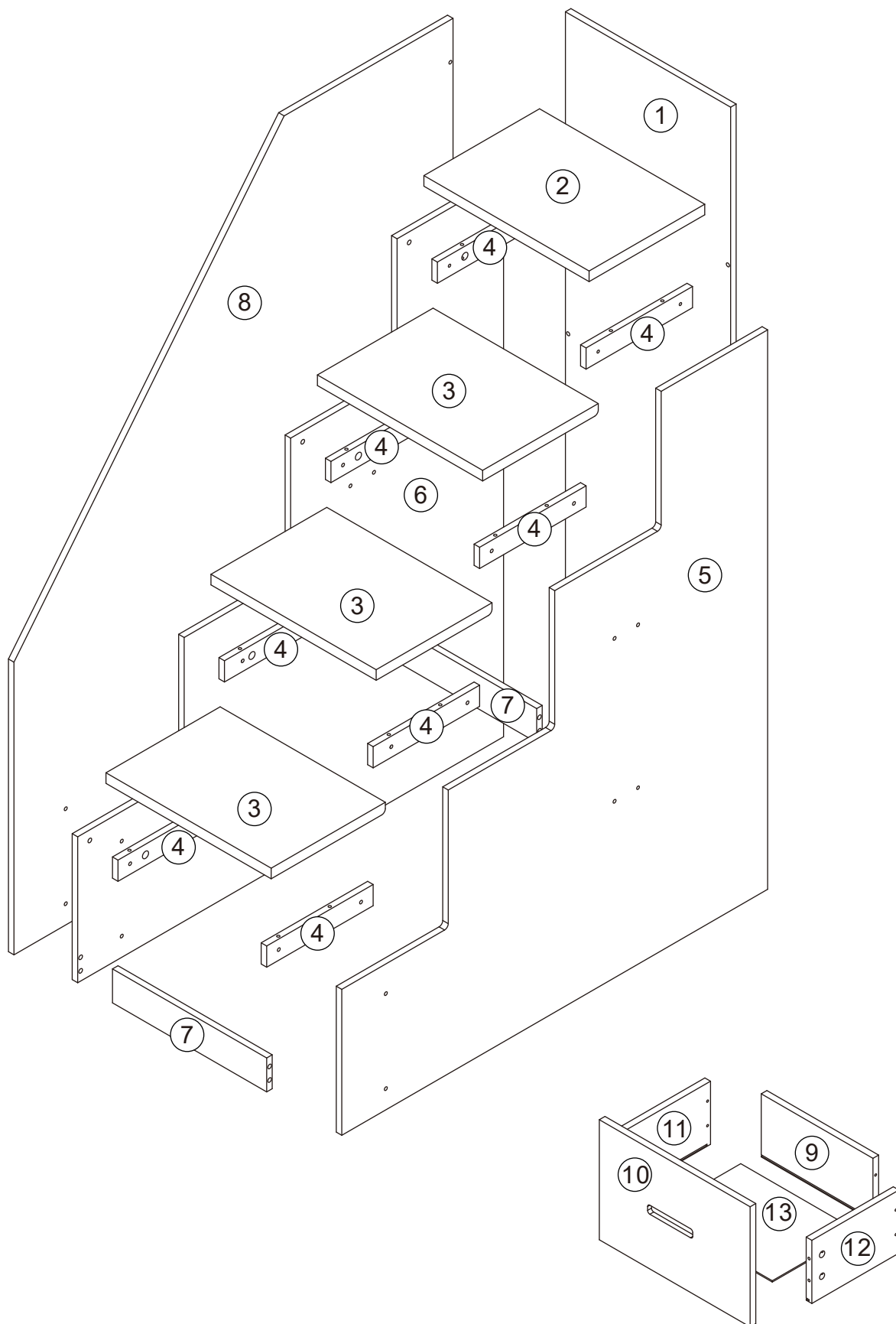


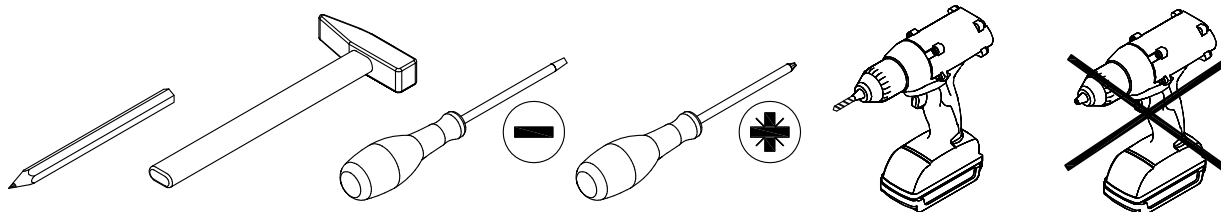
P3-P19



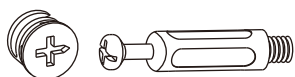


P20-P37





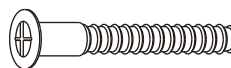
Ax40



Bx8

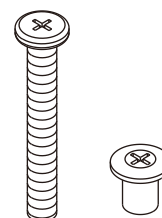


Cx12

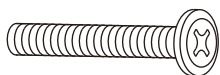


M7*38

Dx6

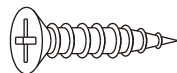


Ex22



M6*25

Fx40



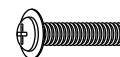
3.5*13

Gx16



3.5*35

Hx8

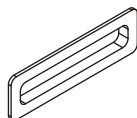


M4*10

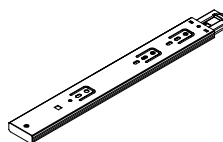
Ix10



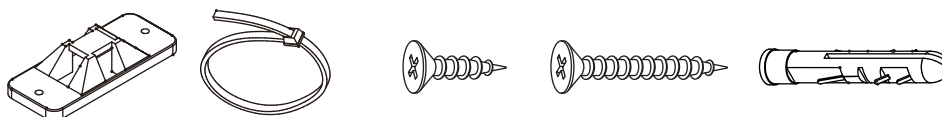
Jx4



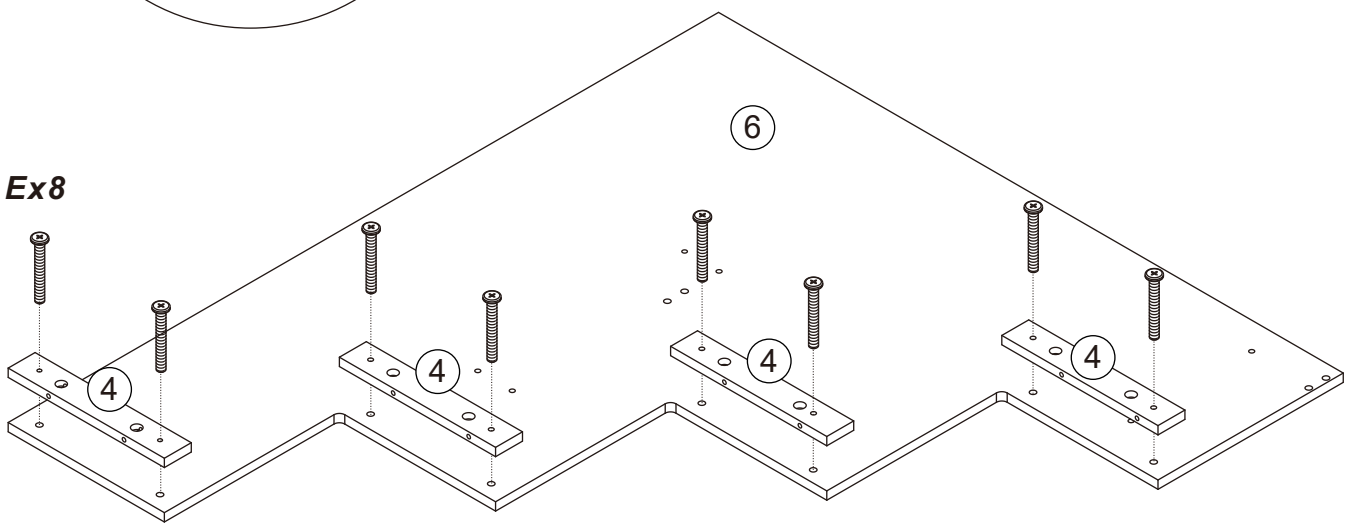
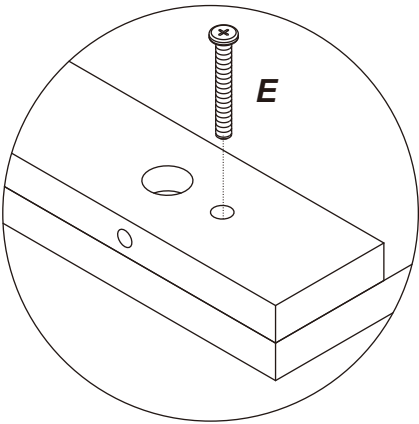
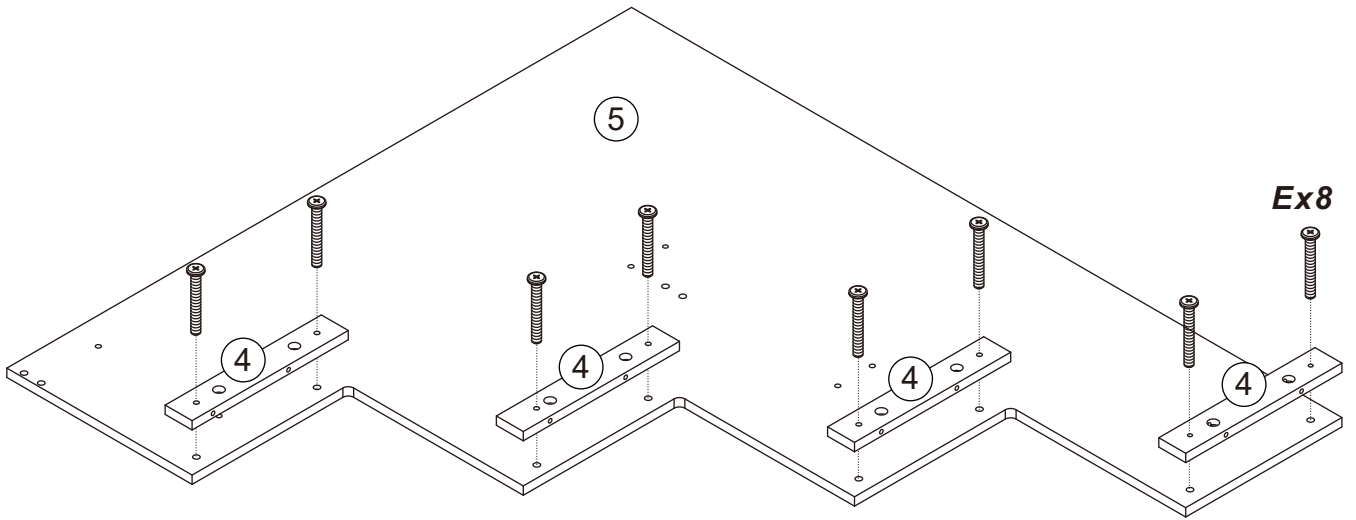
Kx4



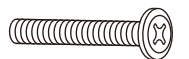
Nx1



1.

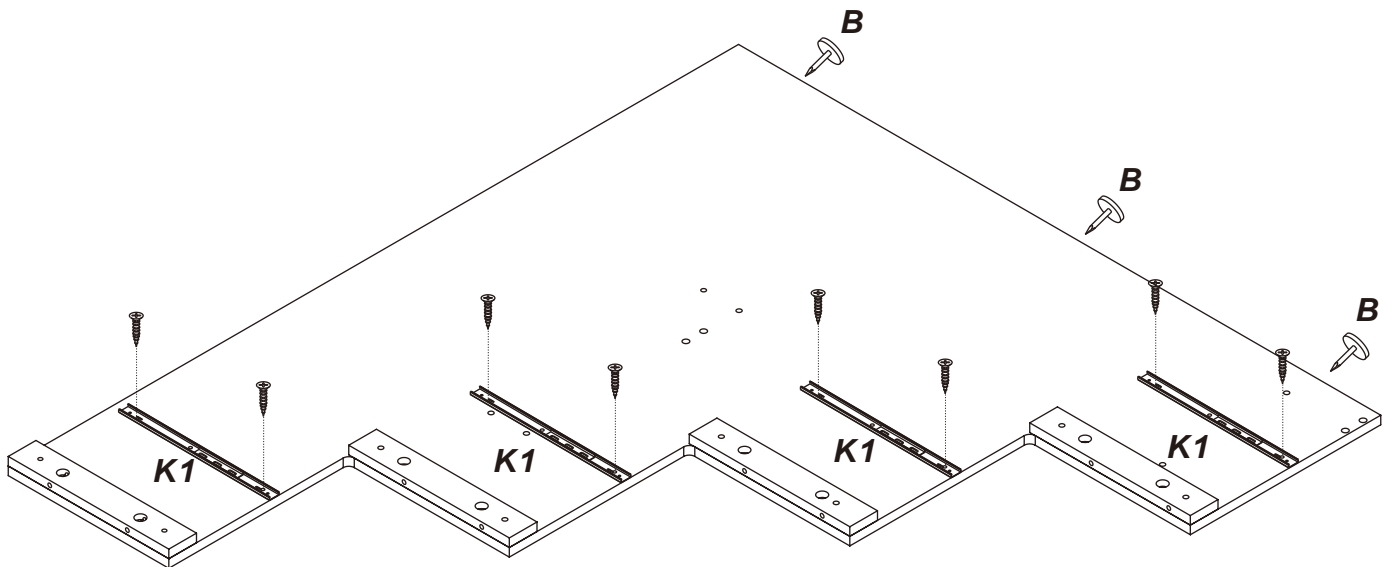
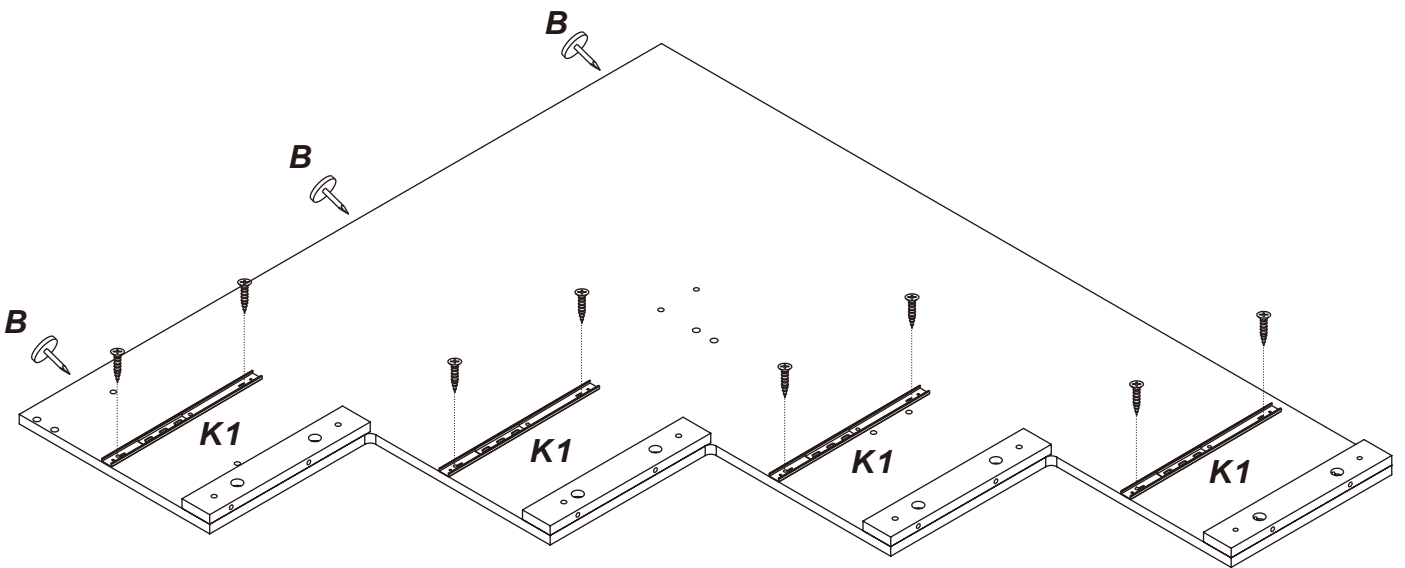
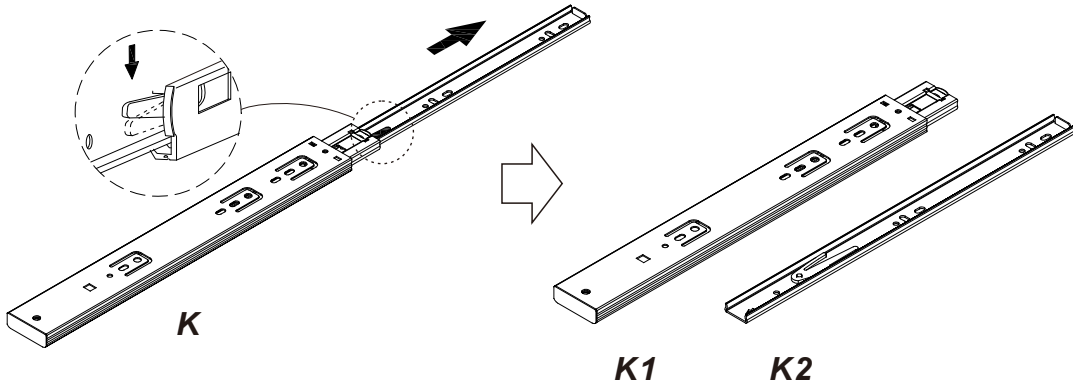



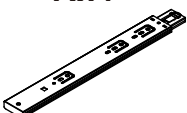

Ex16



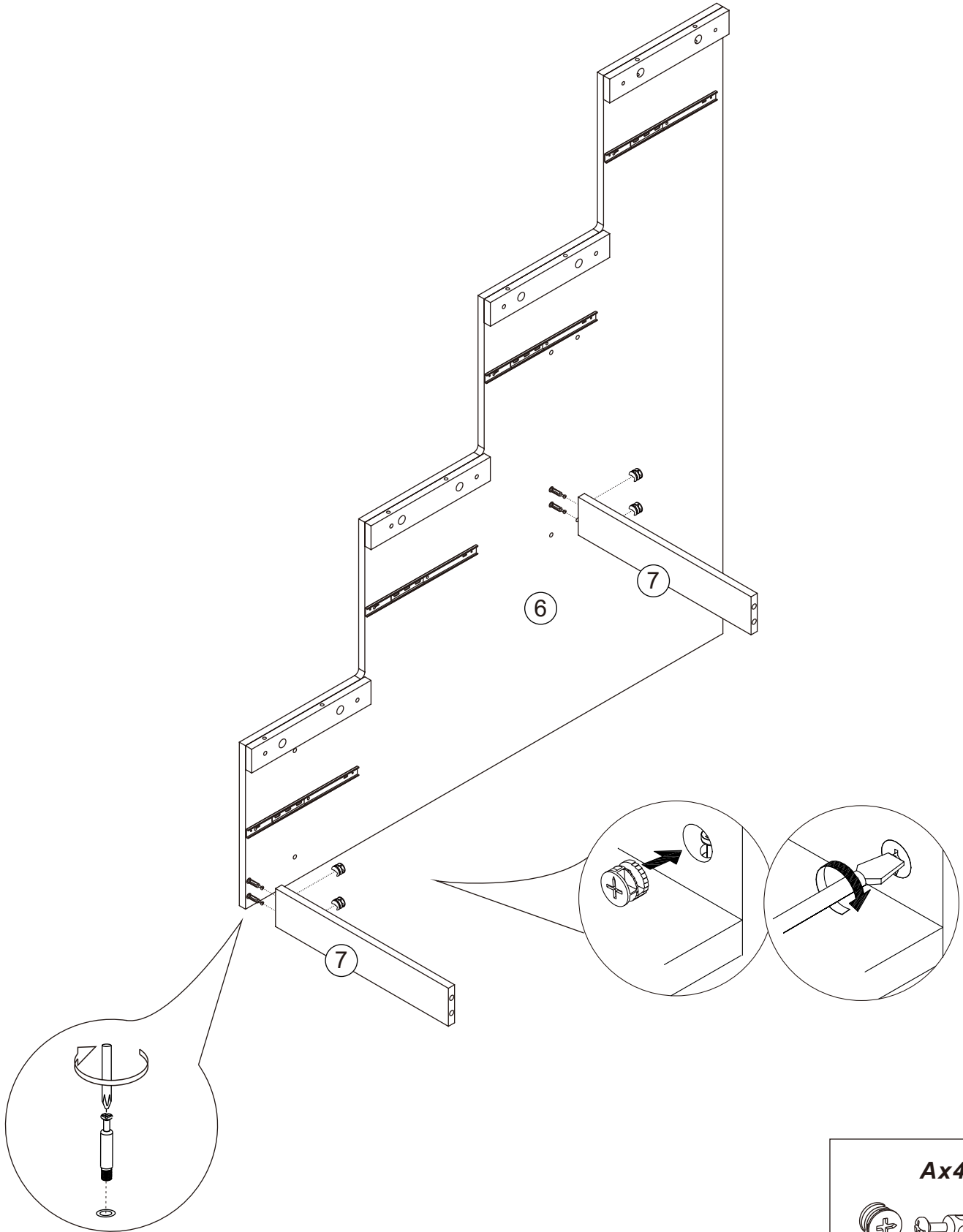
M6*25

2.

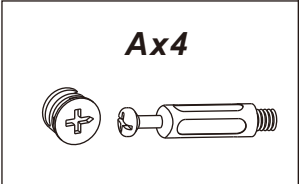
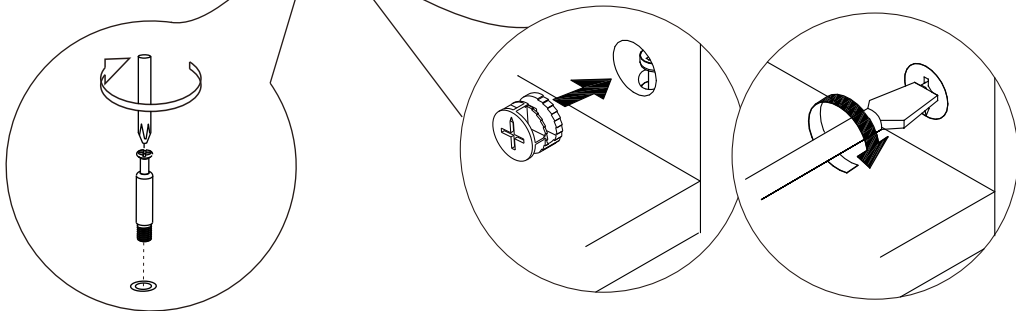
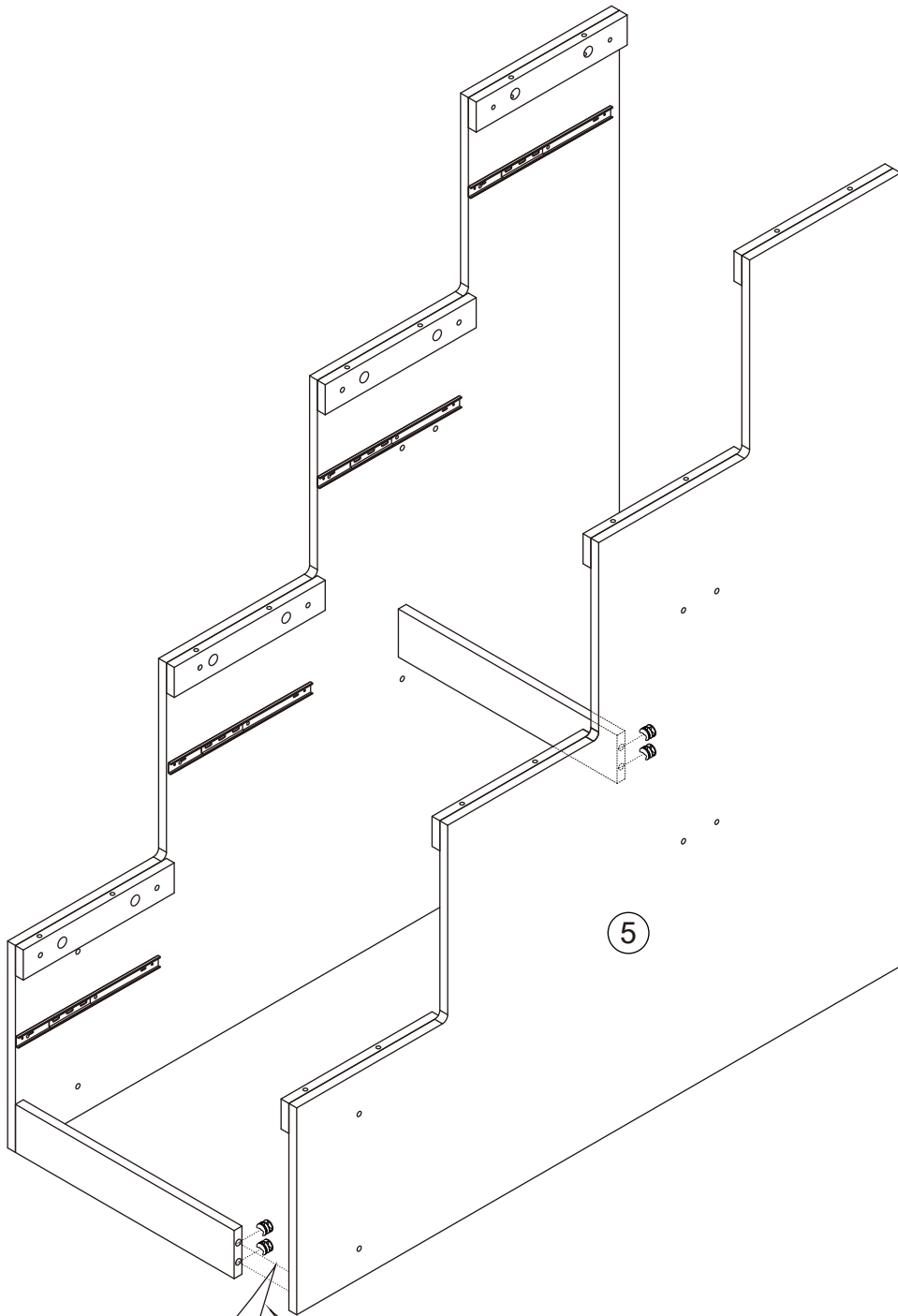


Fx16	Kx4	Bx6
		
3.5*13		

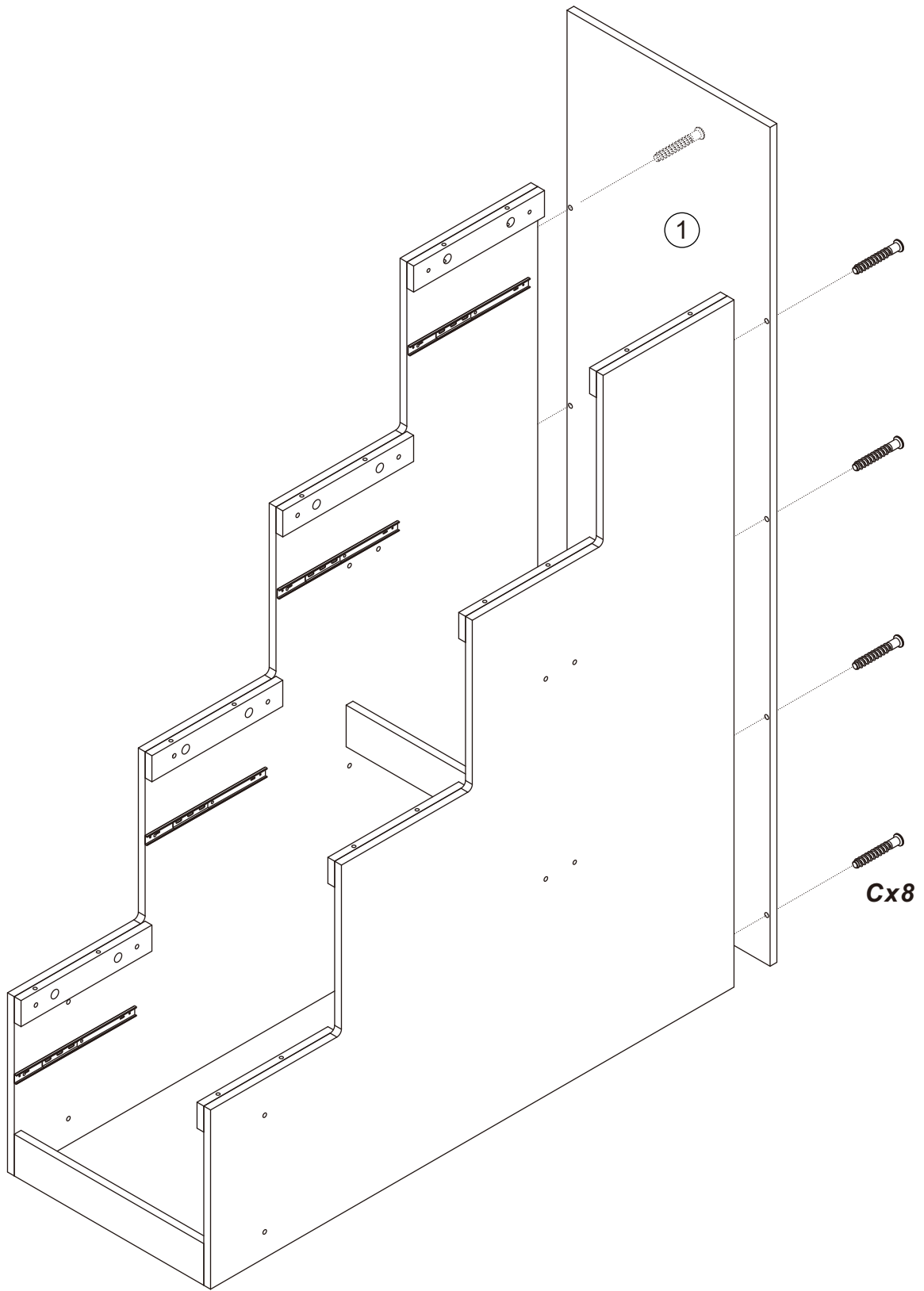
3.



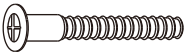
4.



5.

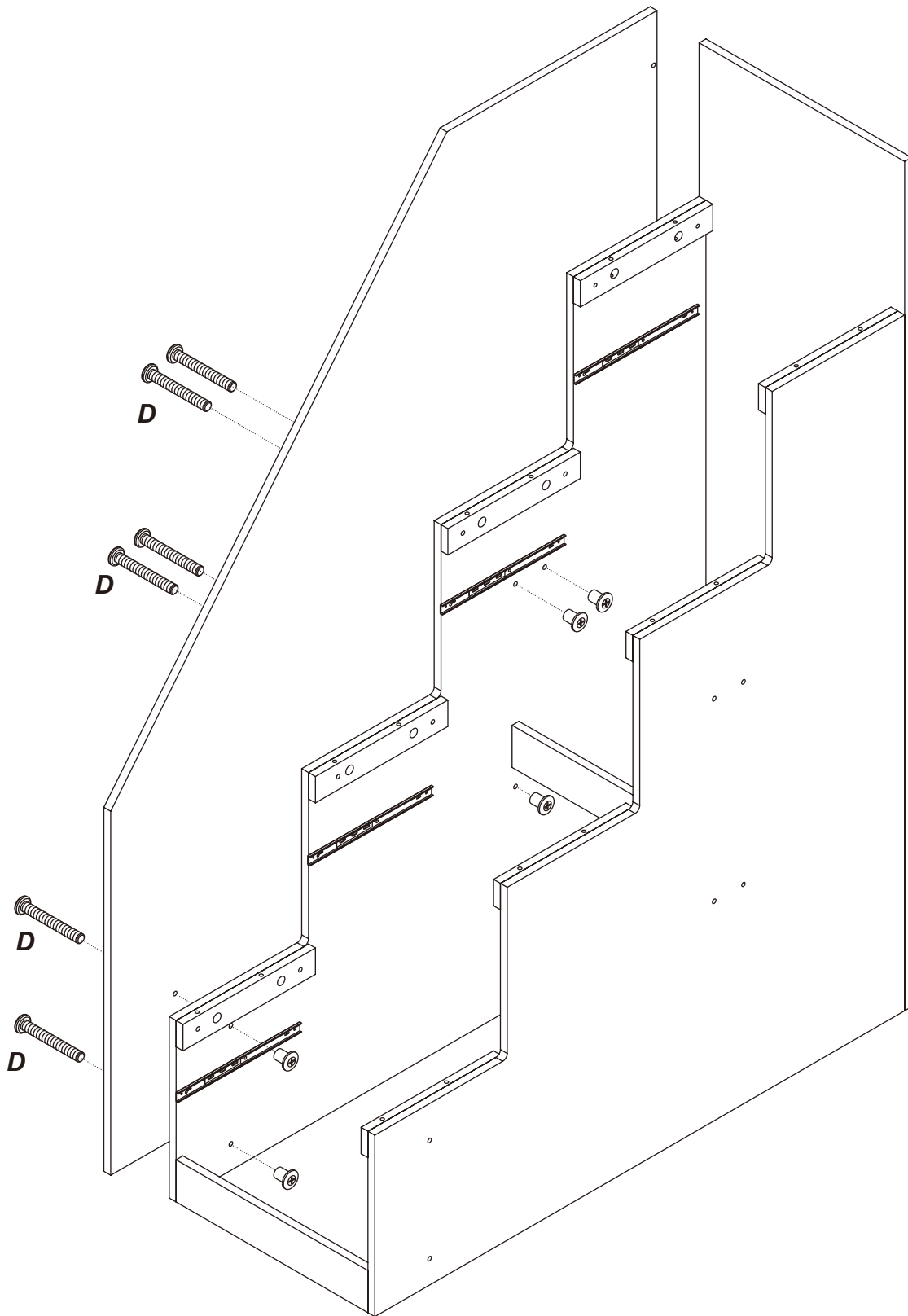


Cx8

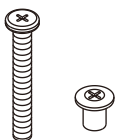


M7*38

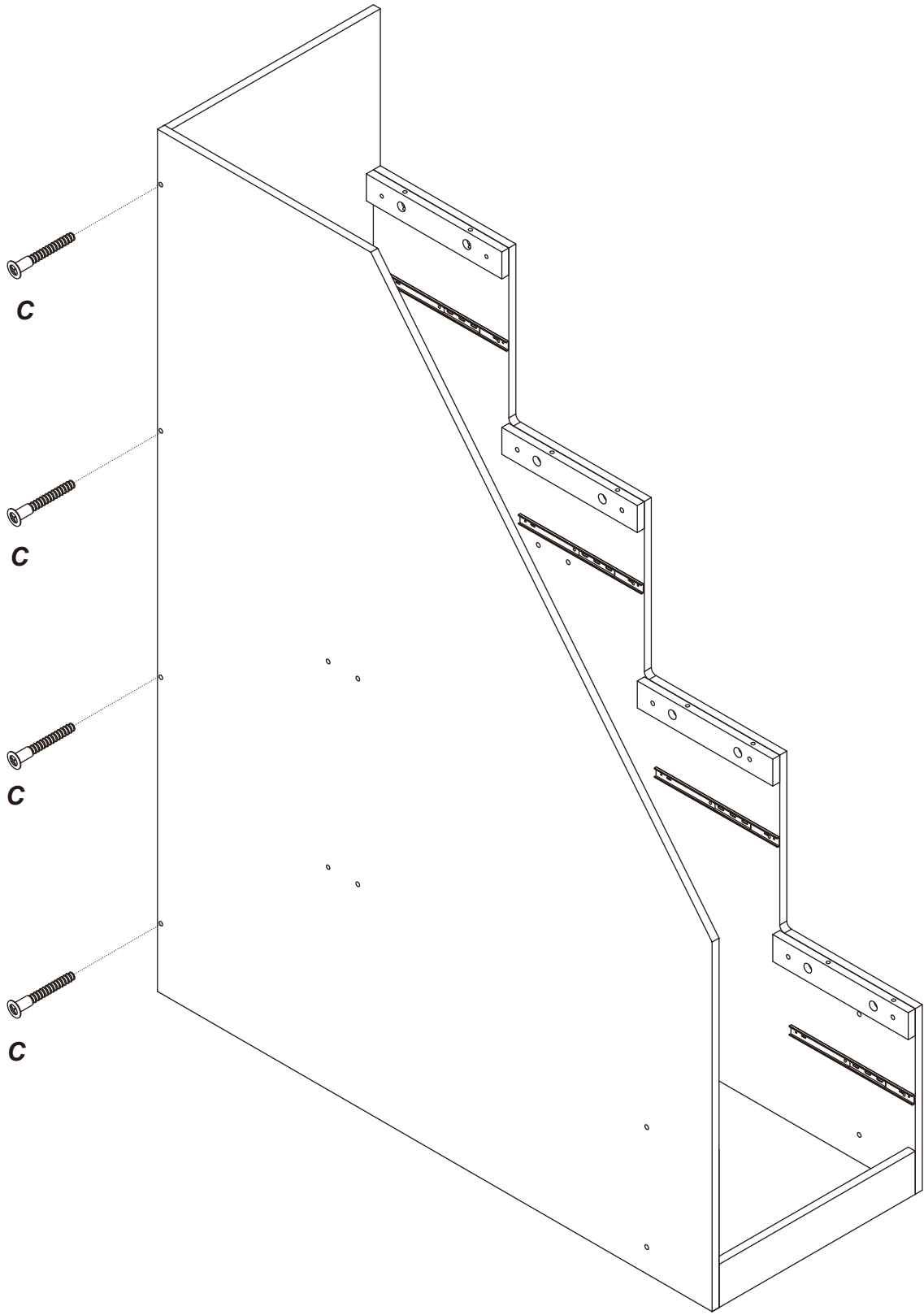
6.



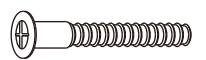
Dx6



7.

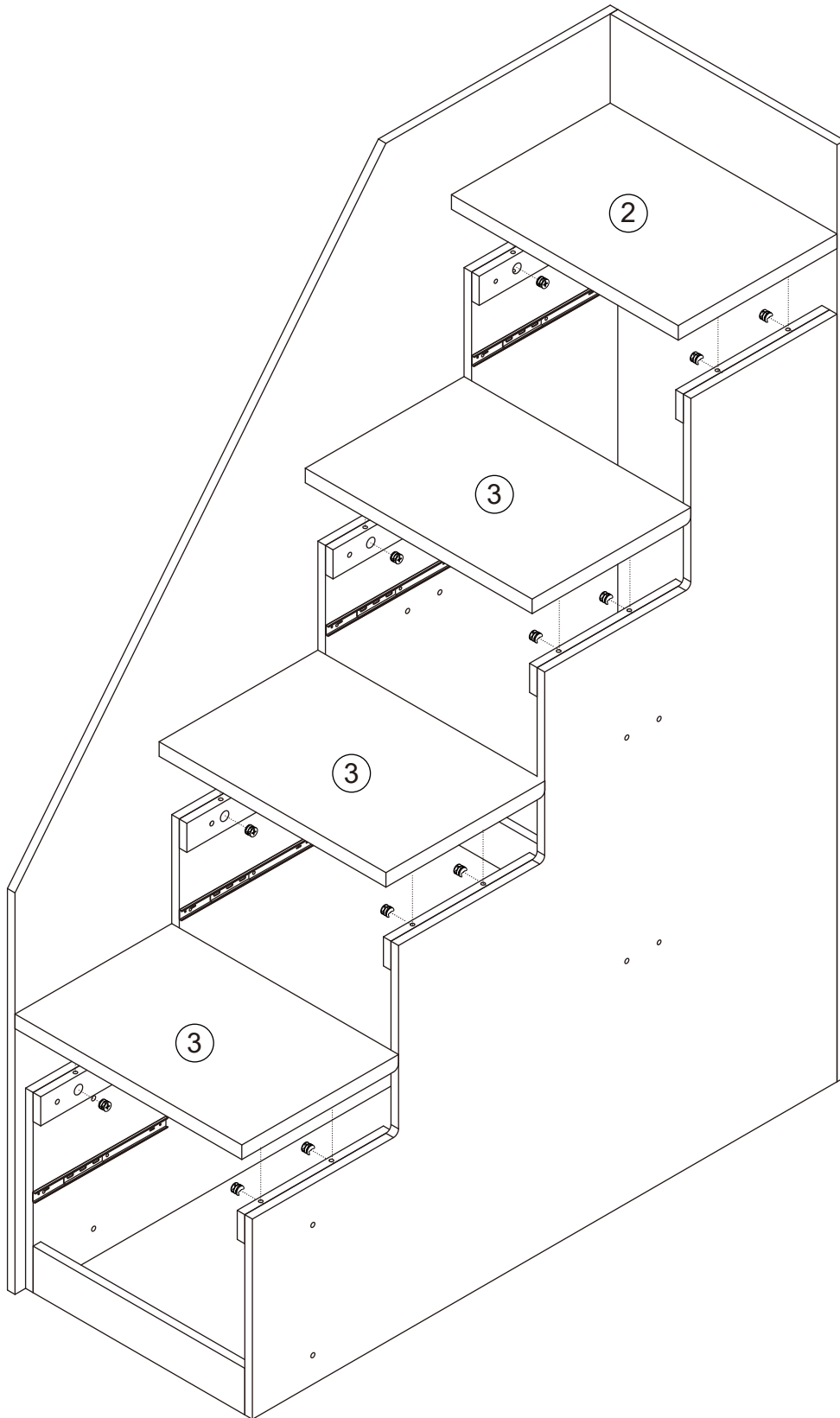


Cx4

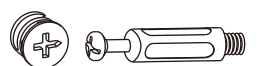


M7*38

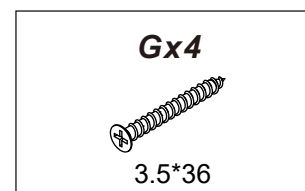
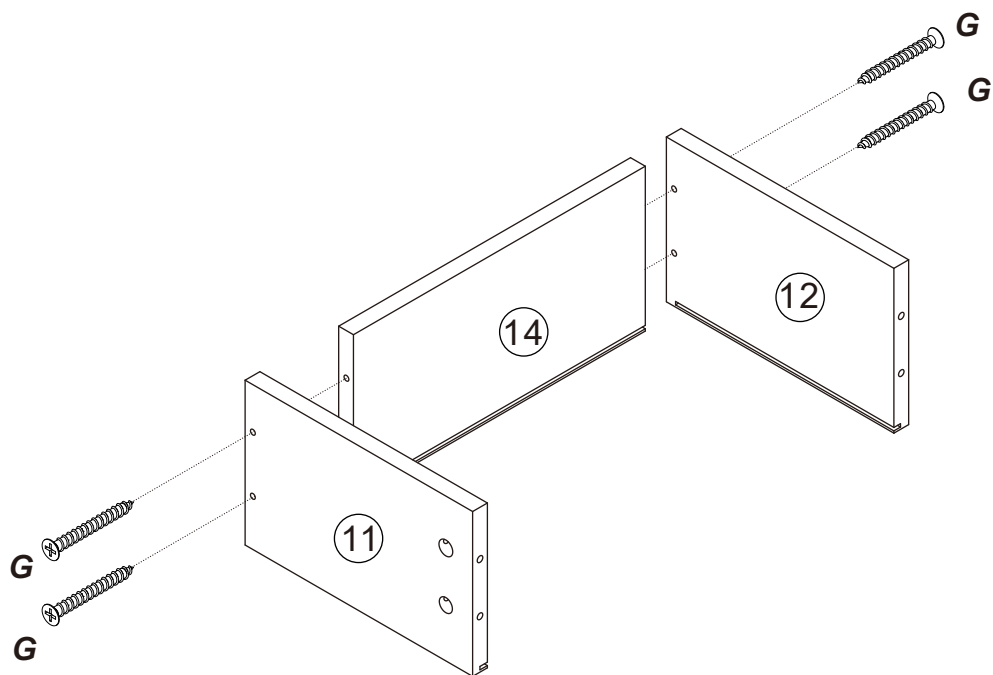
8.



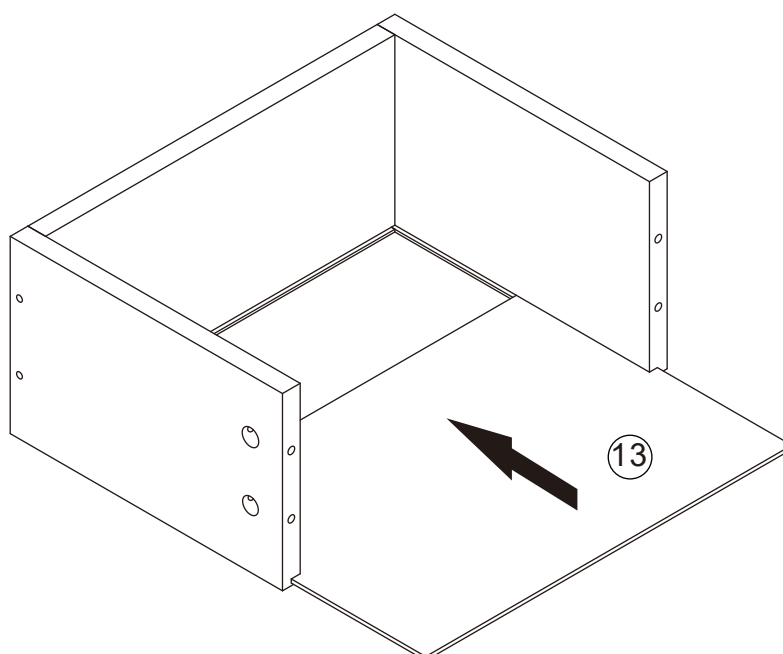
Ax16



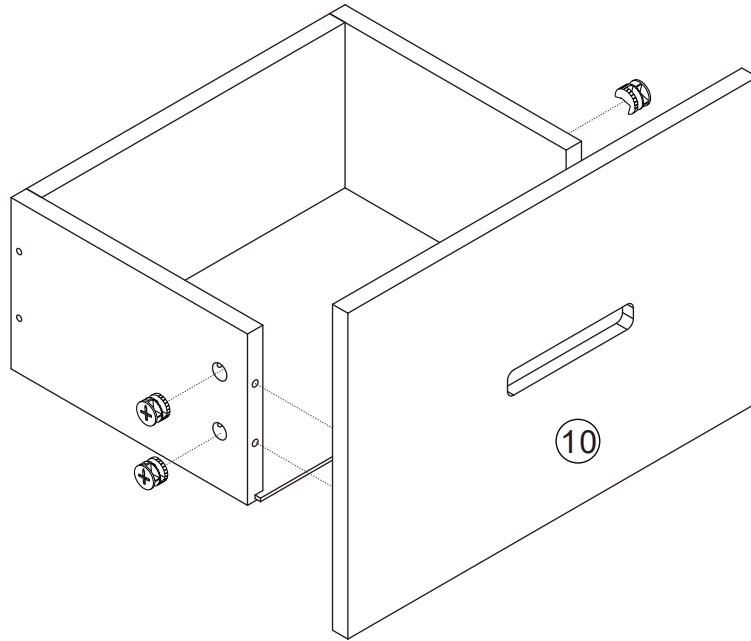
9.



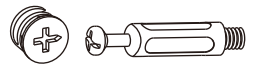
10.



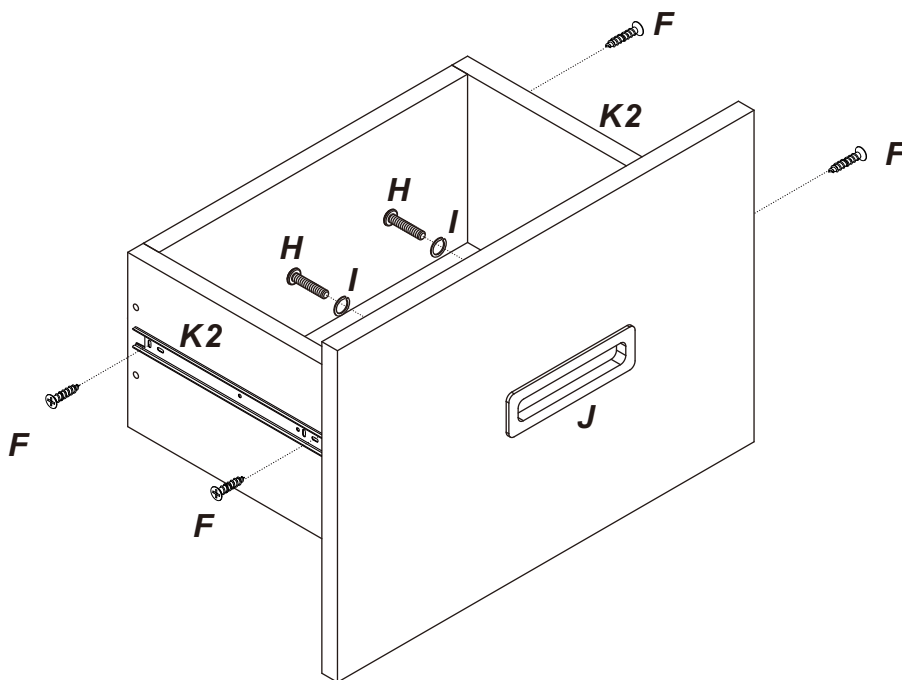
11.



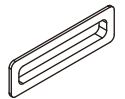
Ax4



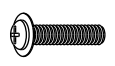
12.



Jx1



Jx2

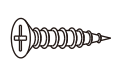


M4*10

Ix2



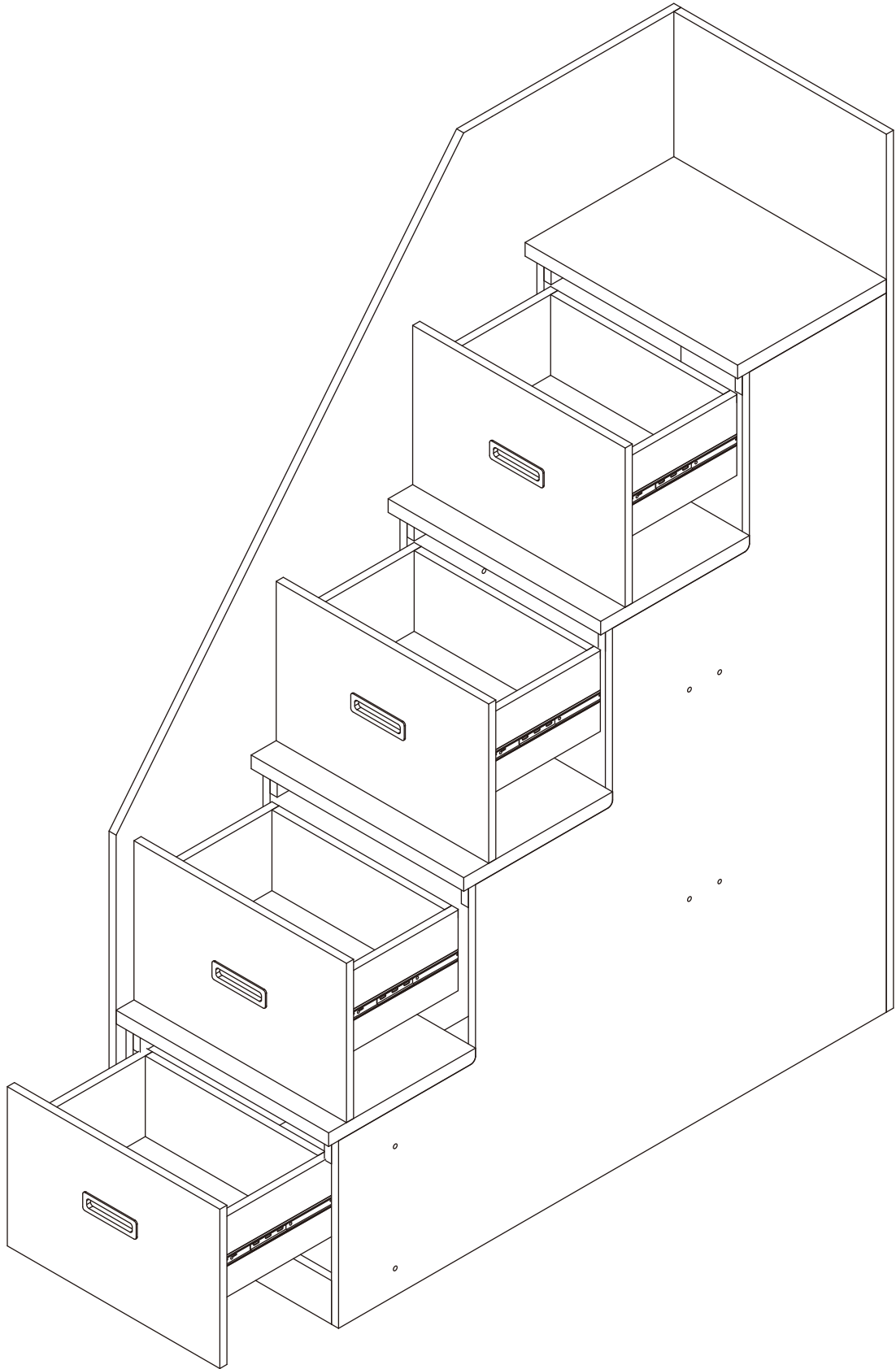
Nx6



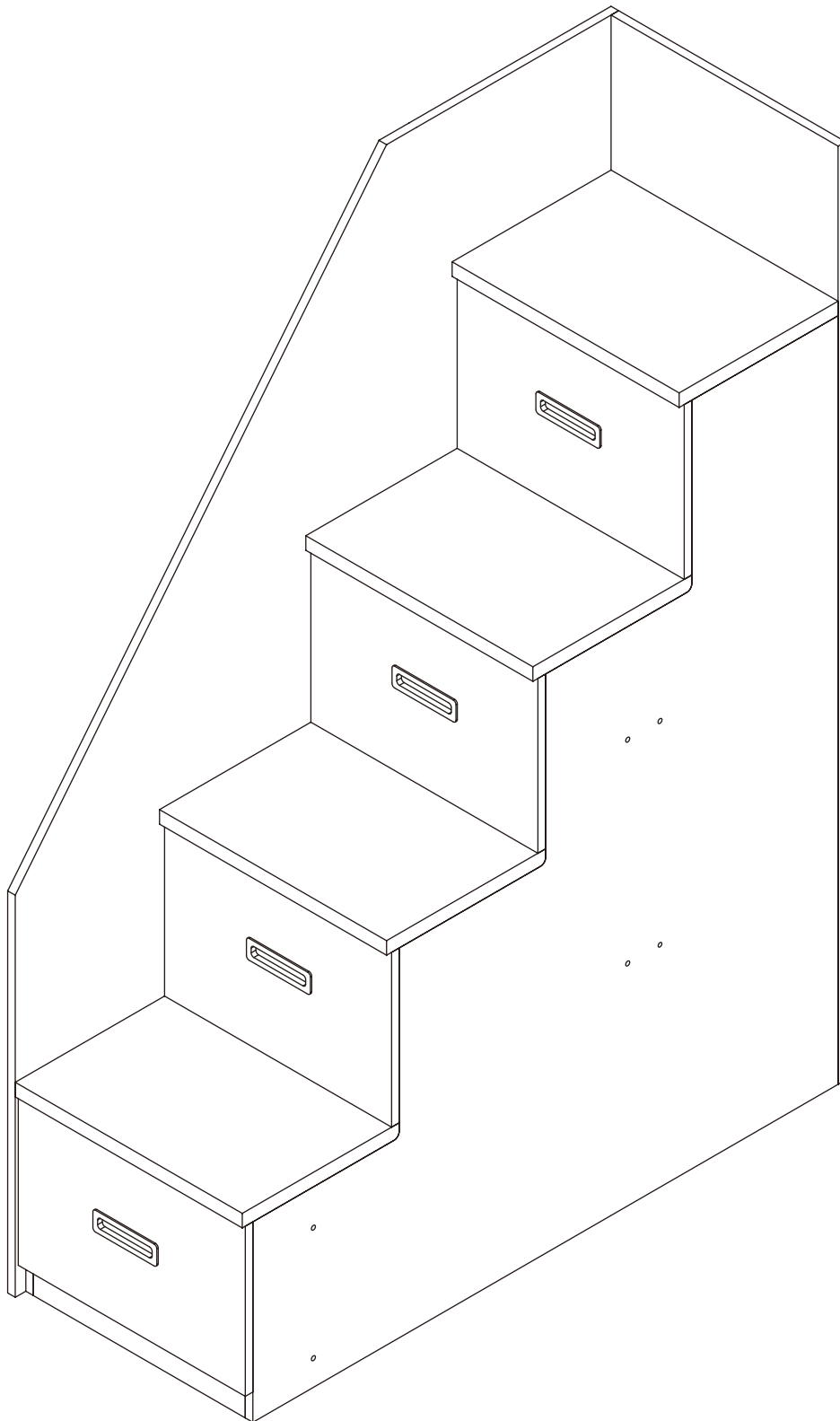
3.5*13

x4

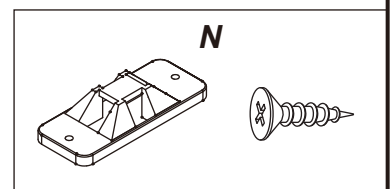
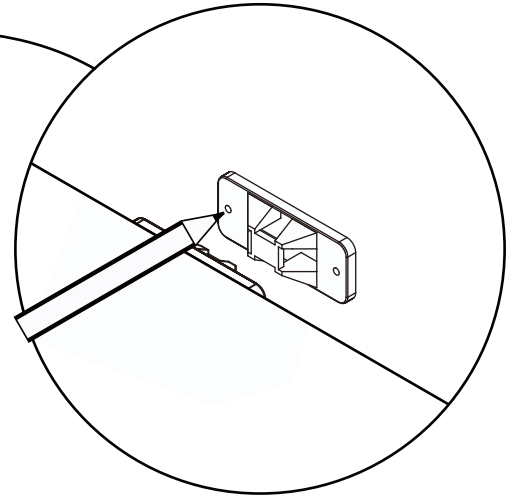
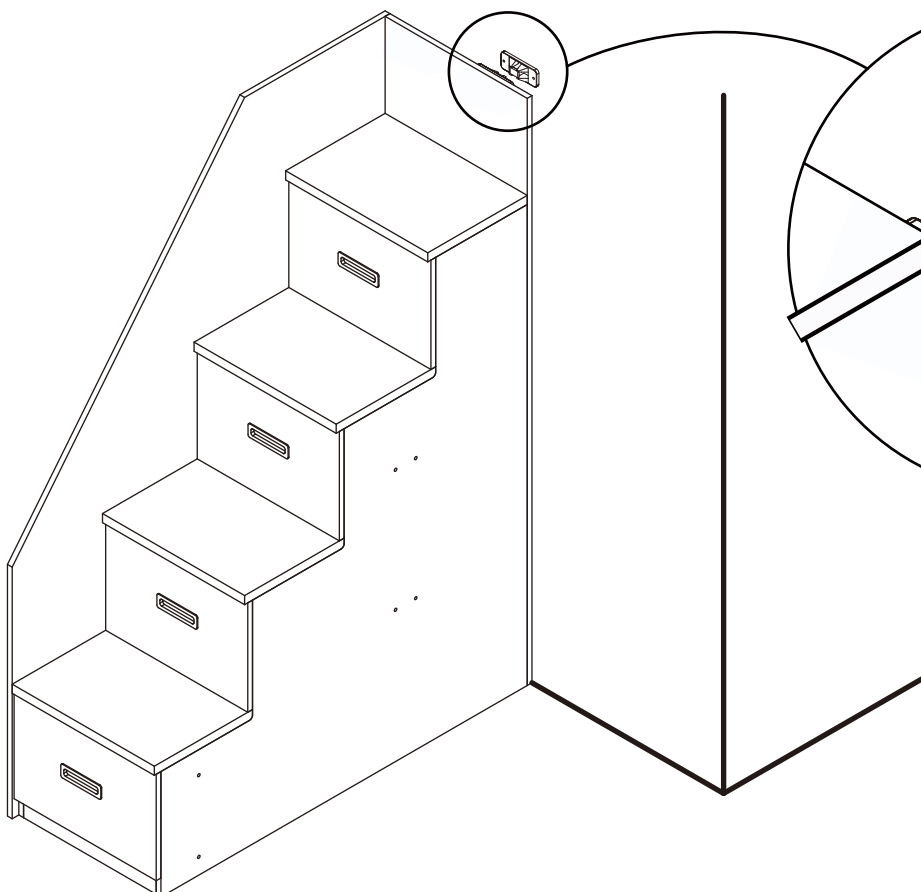
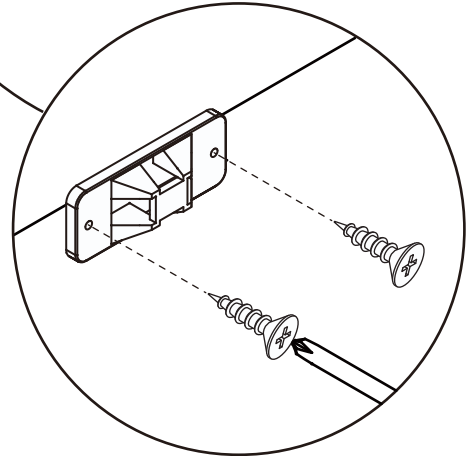
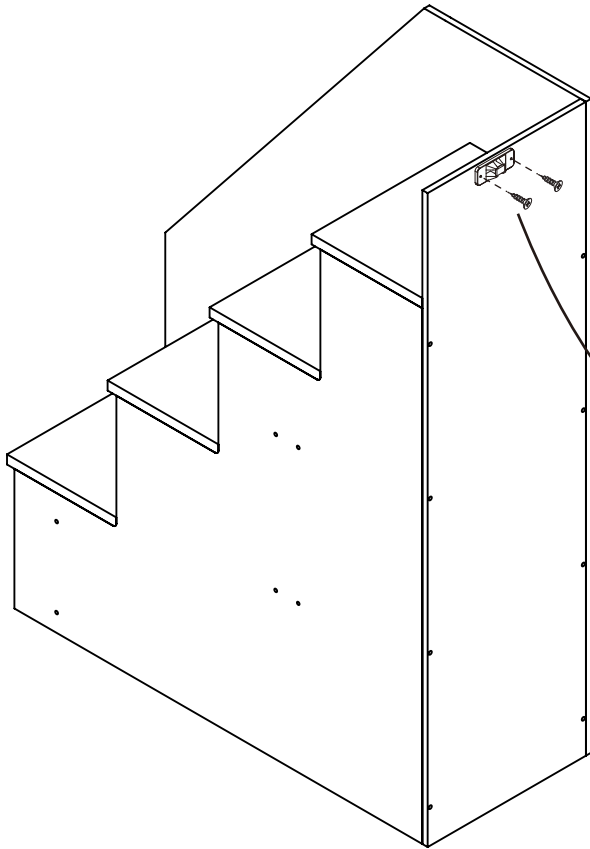
13.



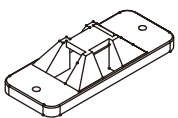
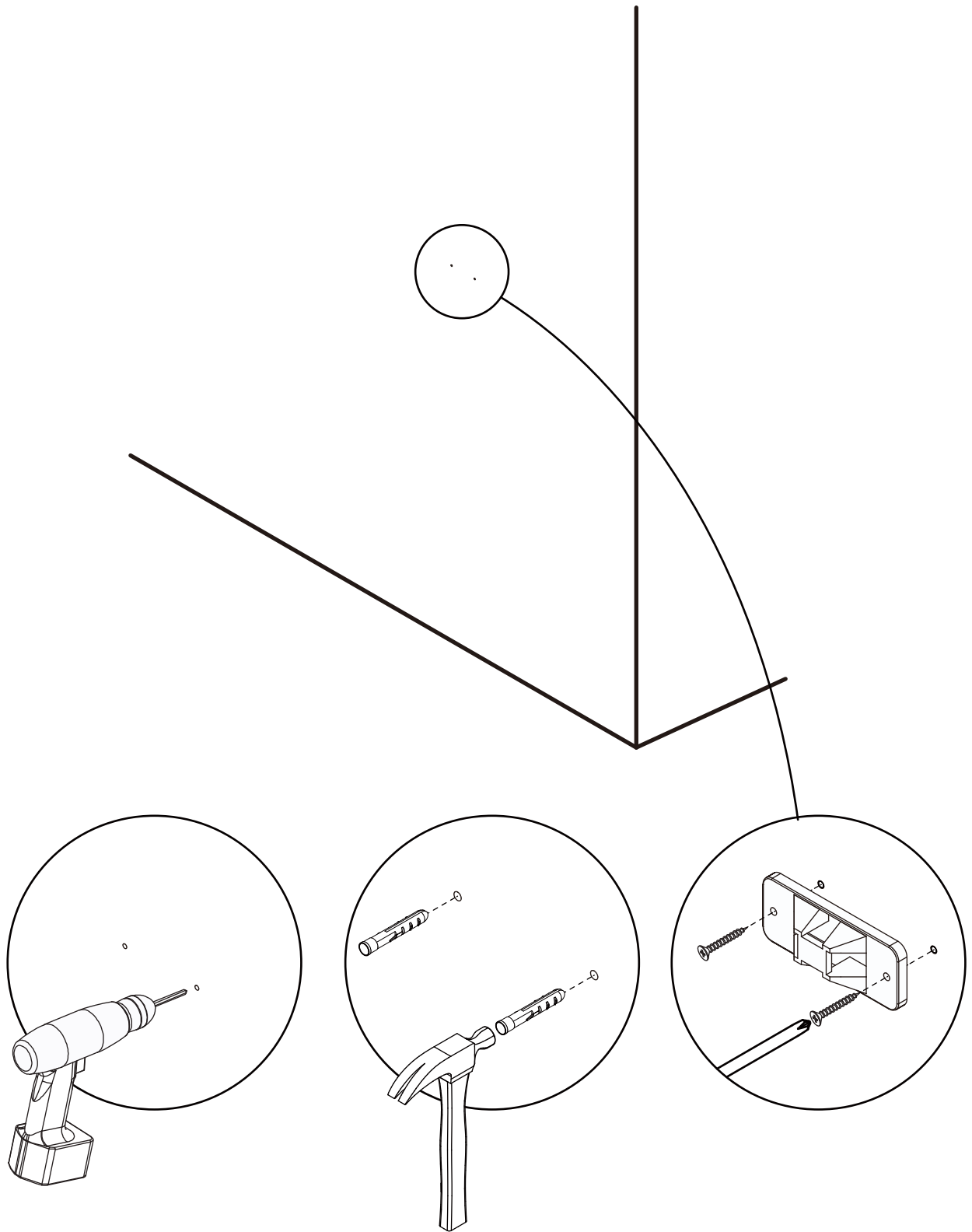
14.



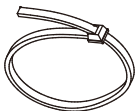
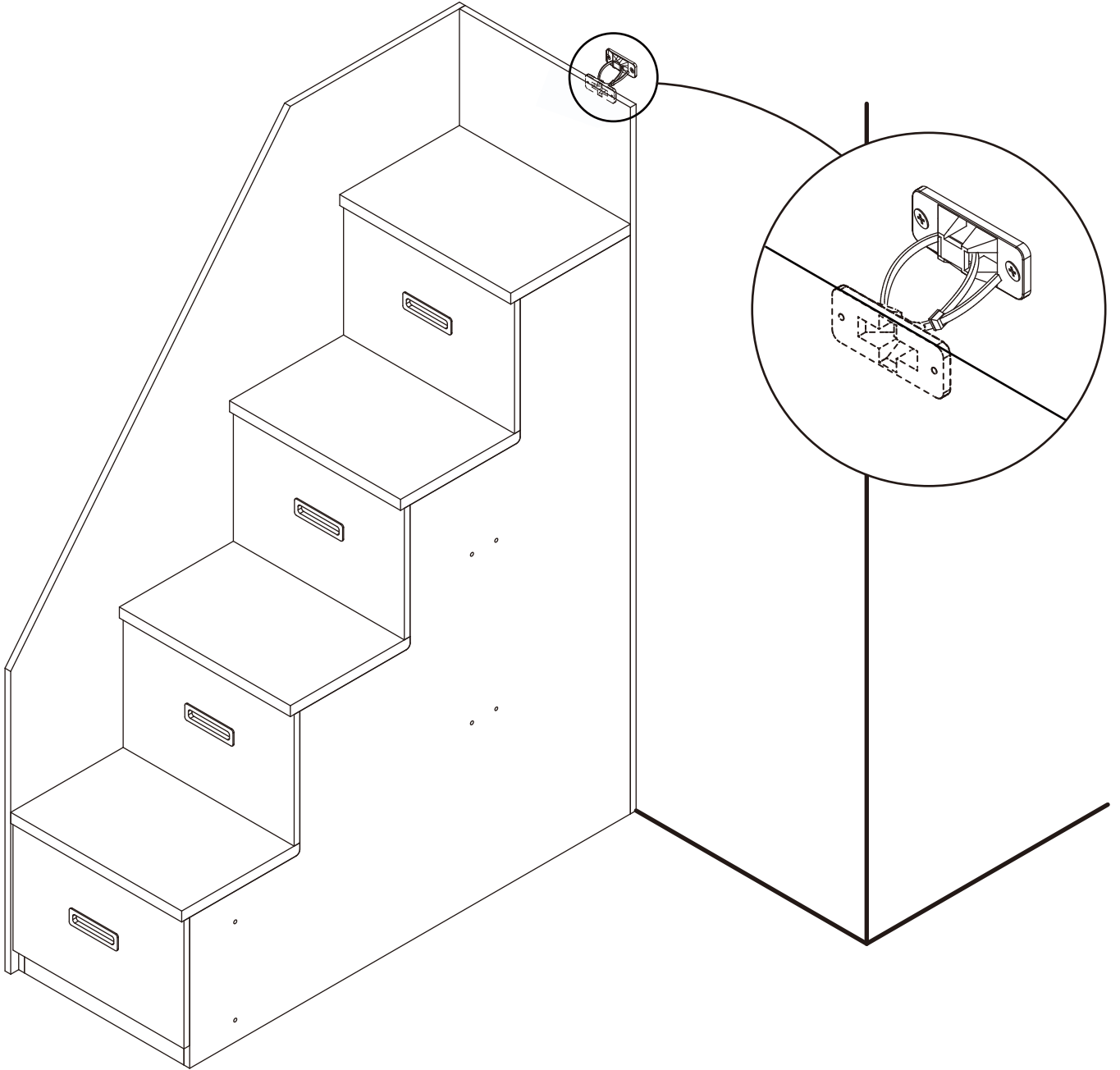
15.

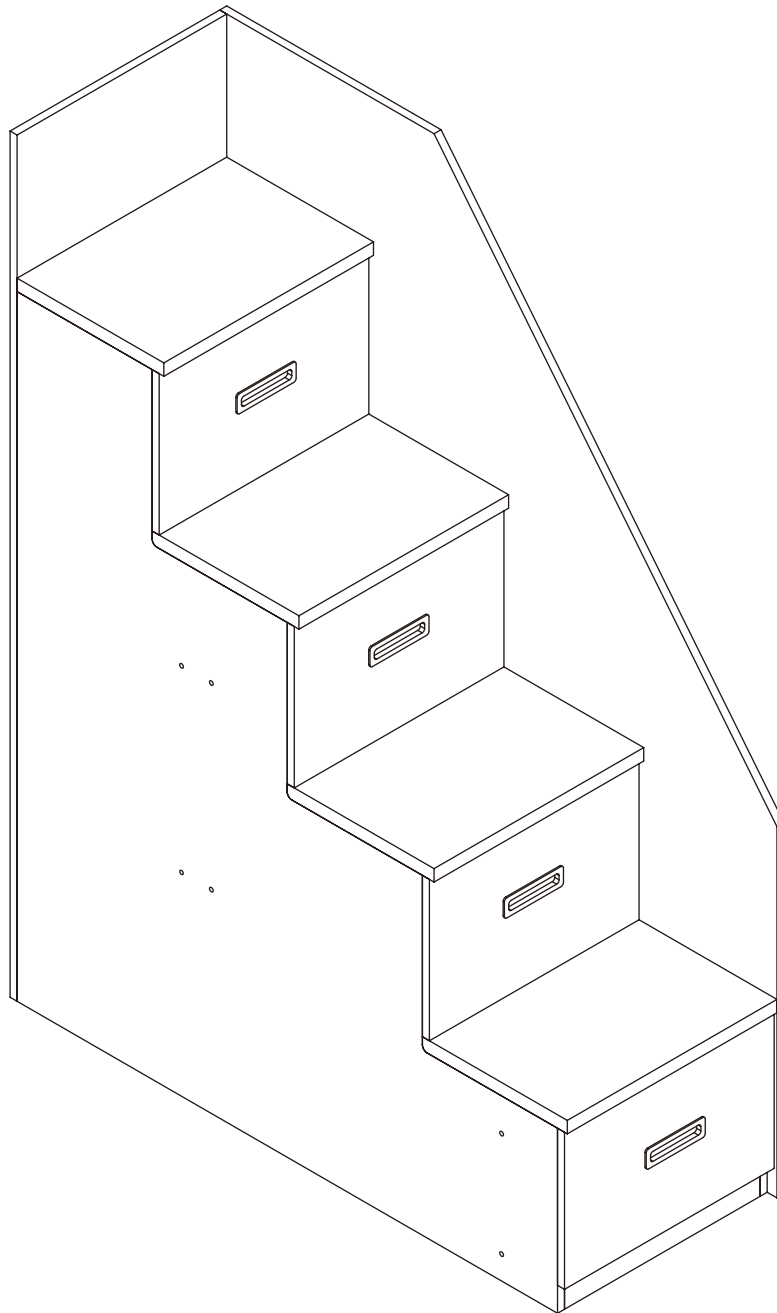


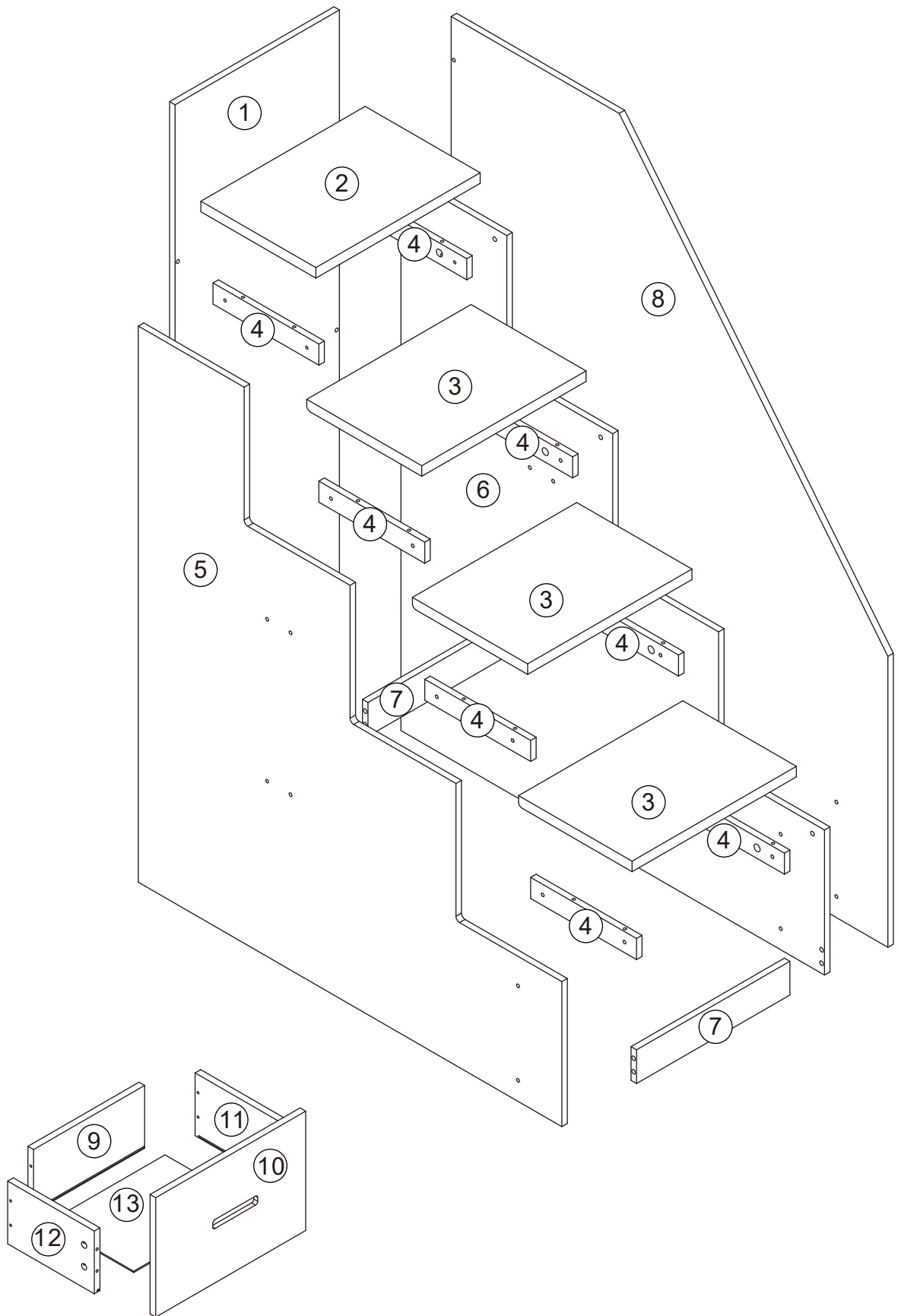
16.

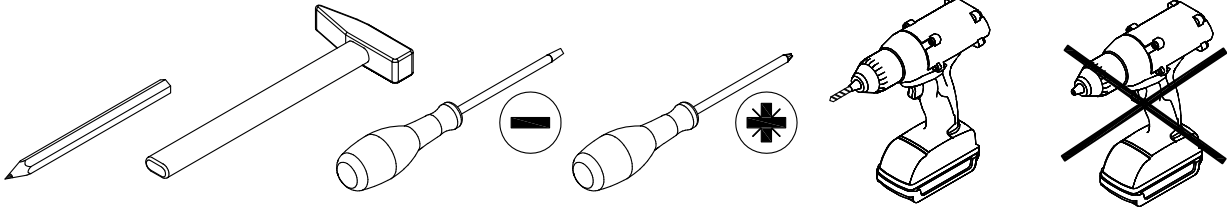


17.

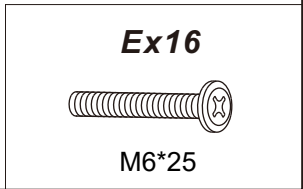
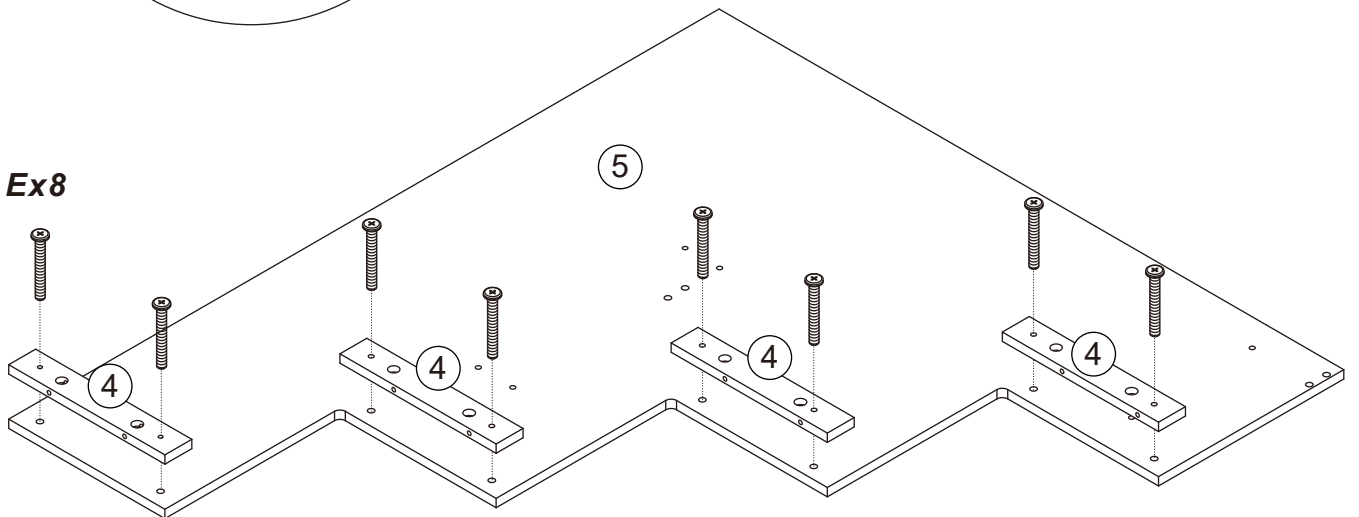
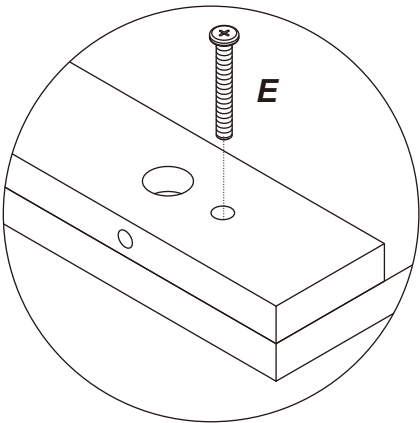
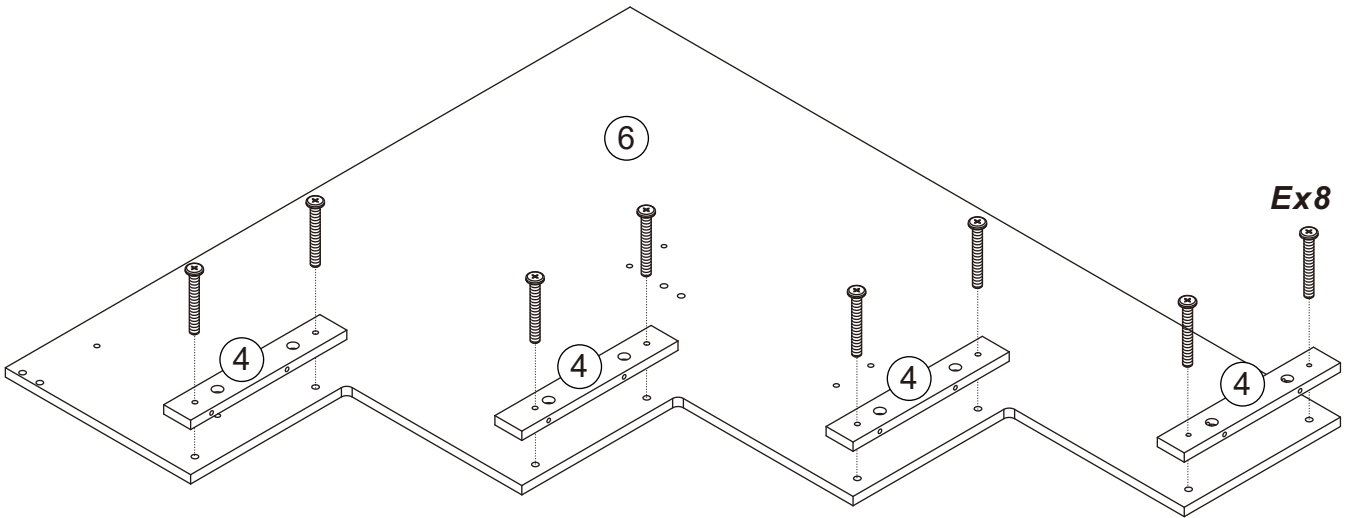




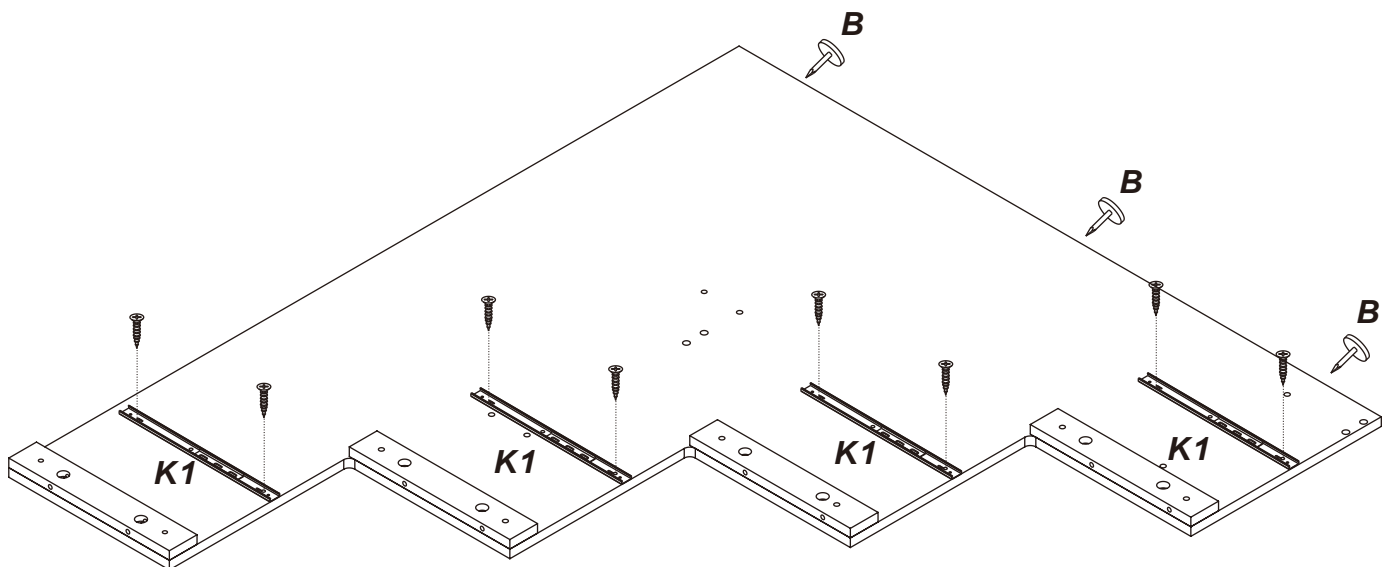
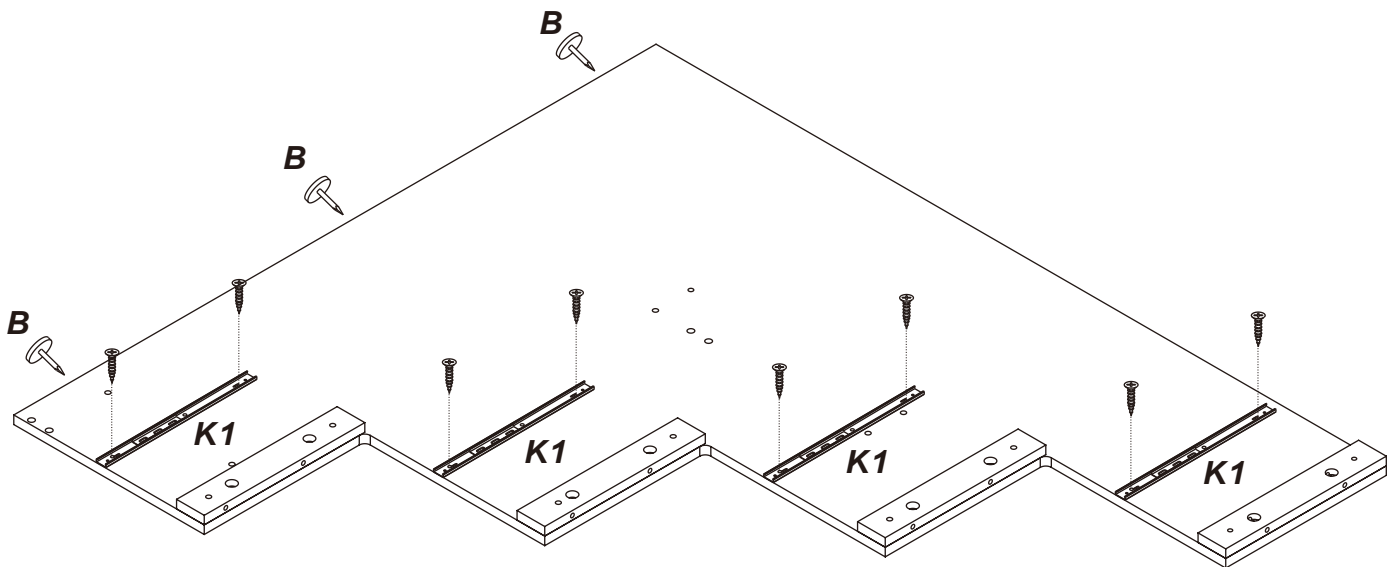
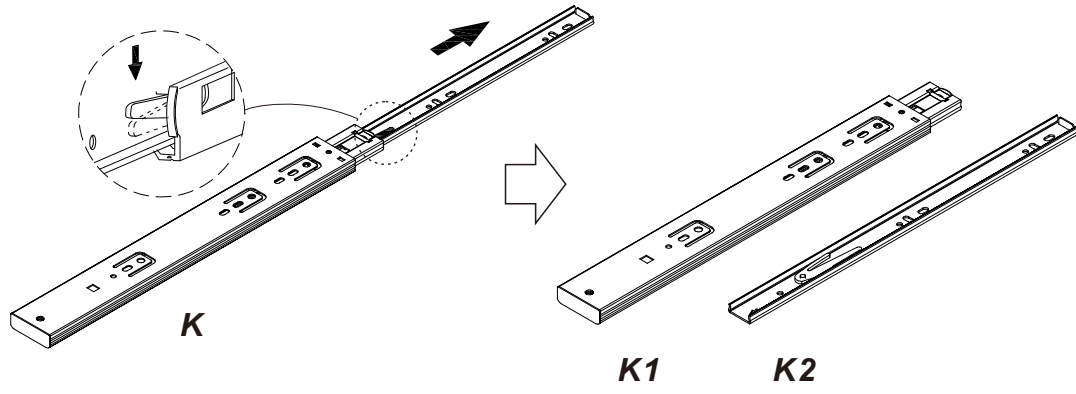



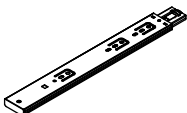



1.

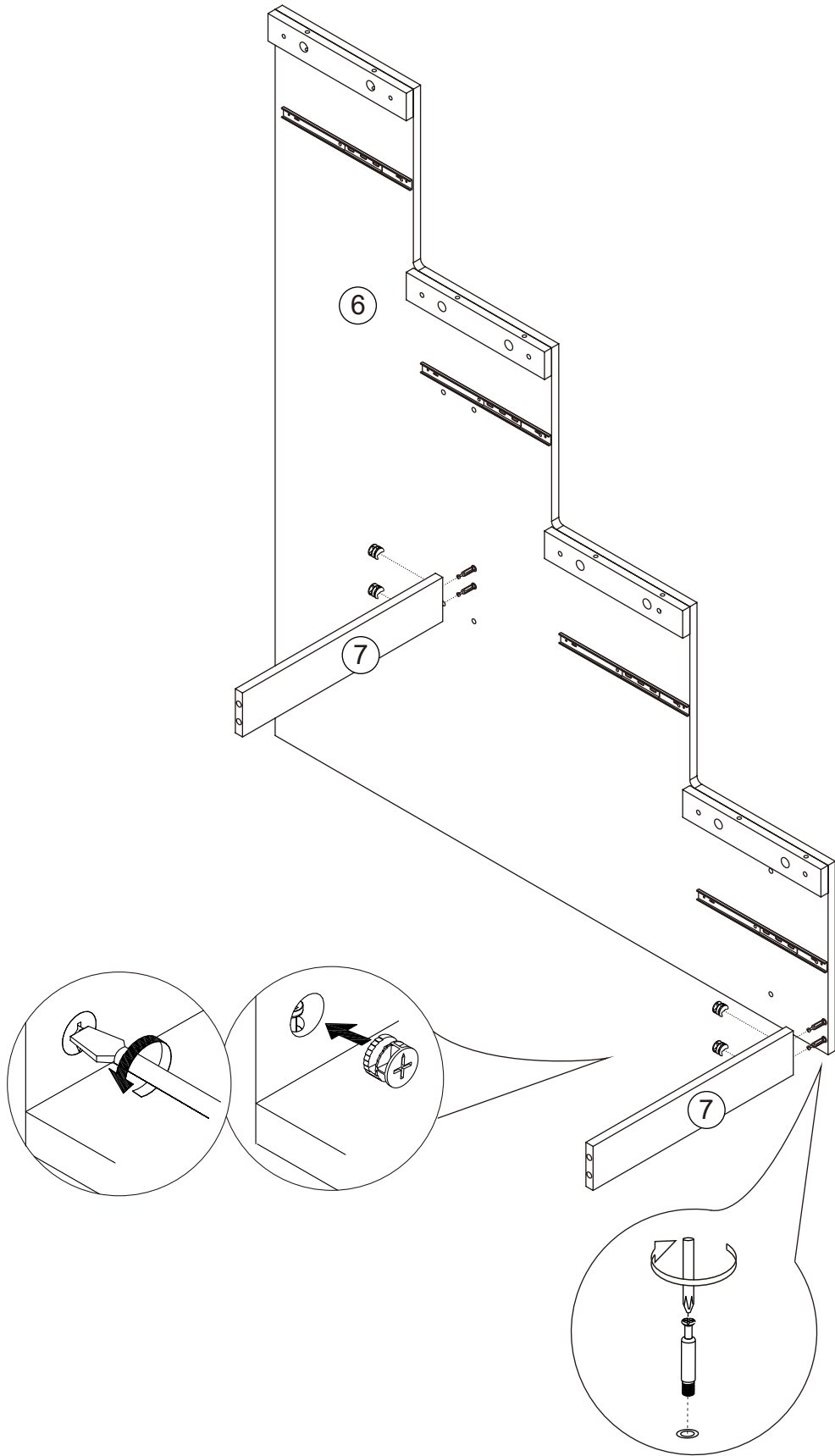


2.

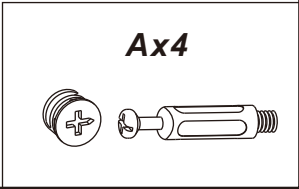
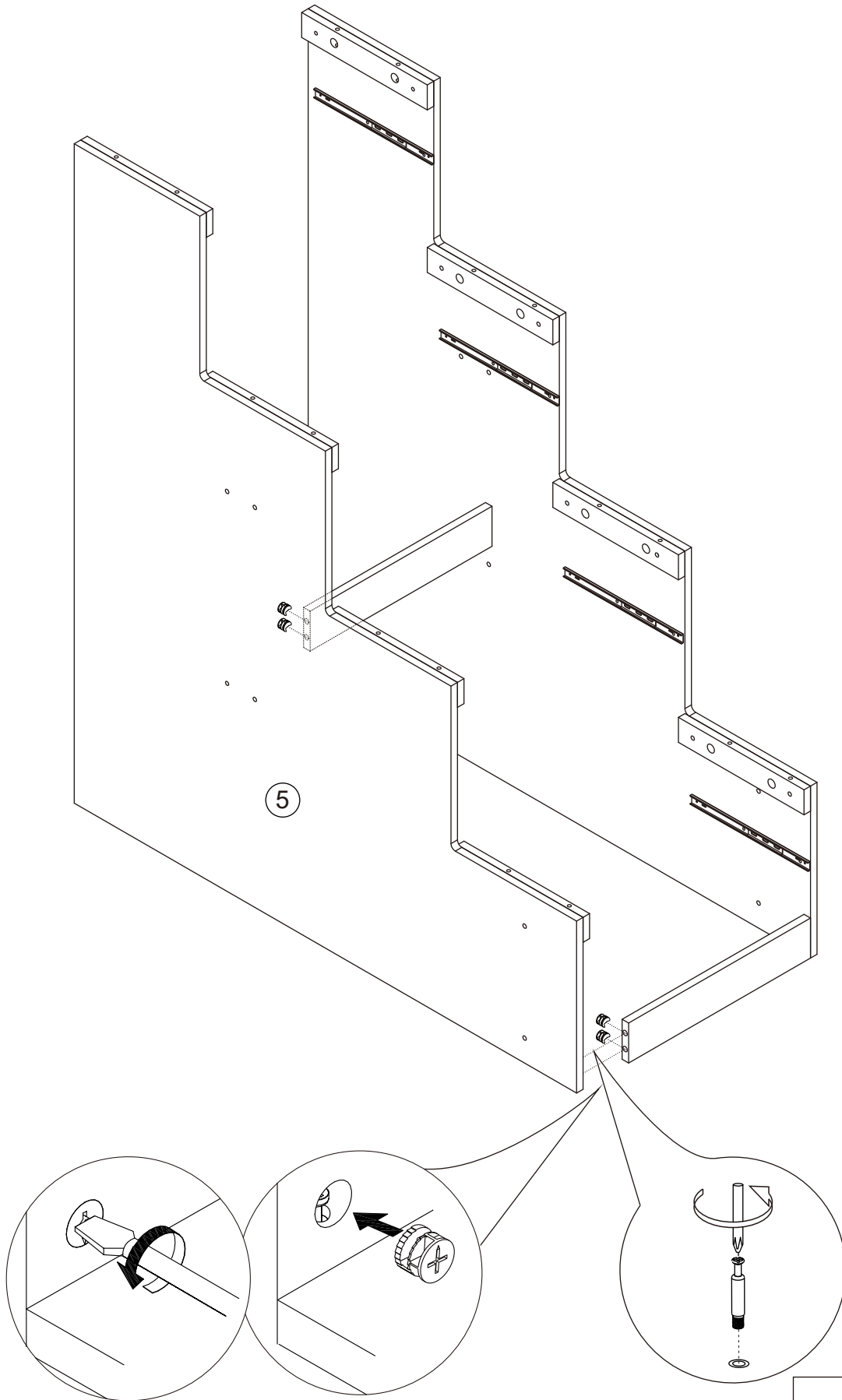


Fx16	Kx4	Bx6
		
3.5*13		

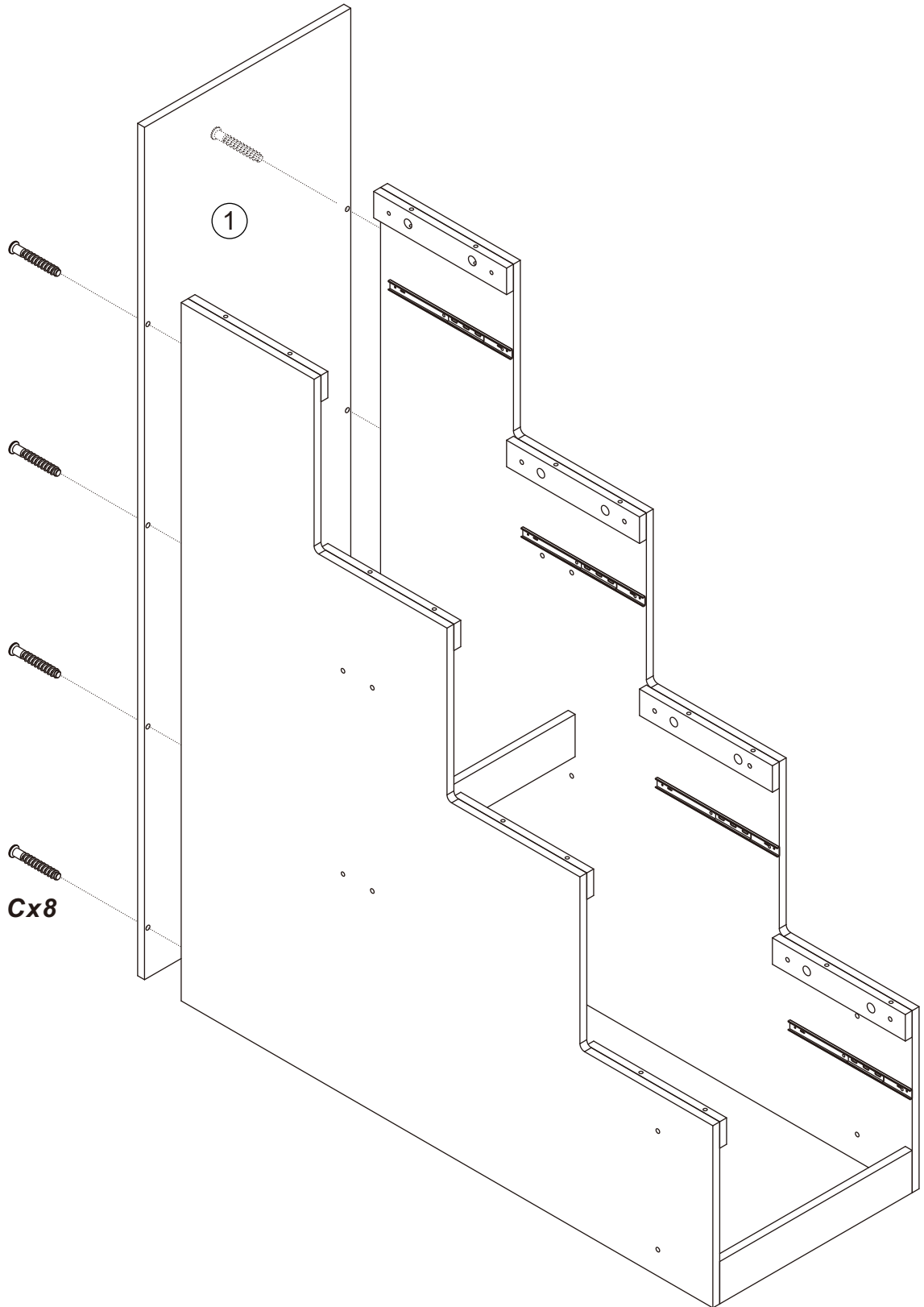
3.



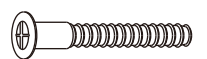
4.



5.

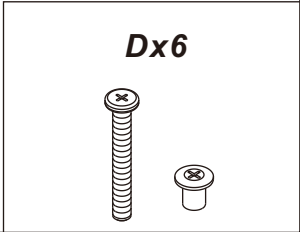
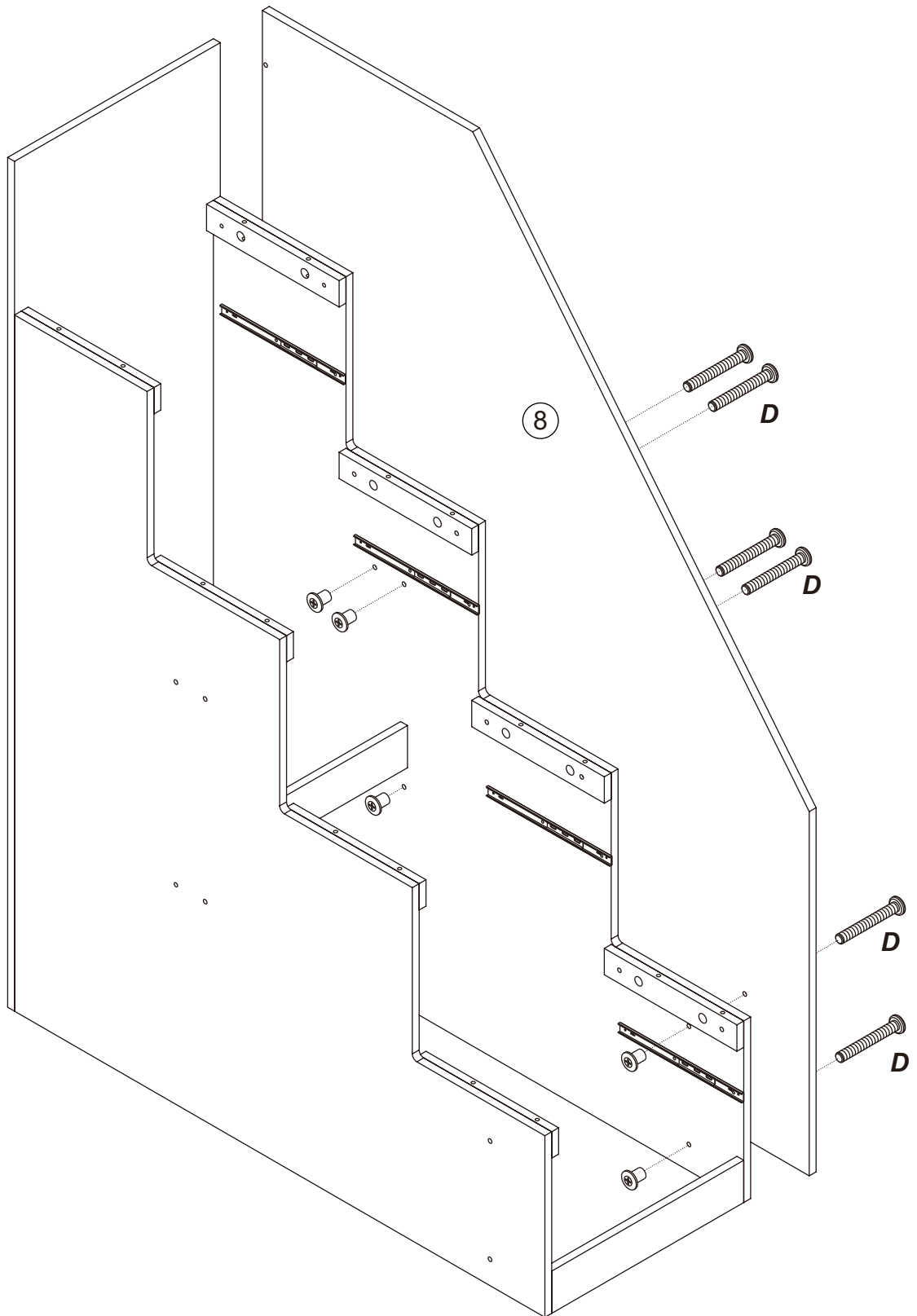


Cx8

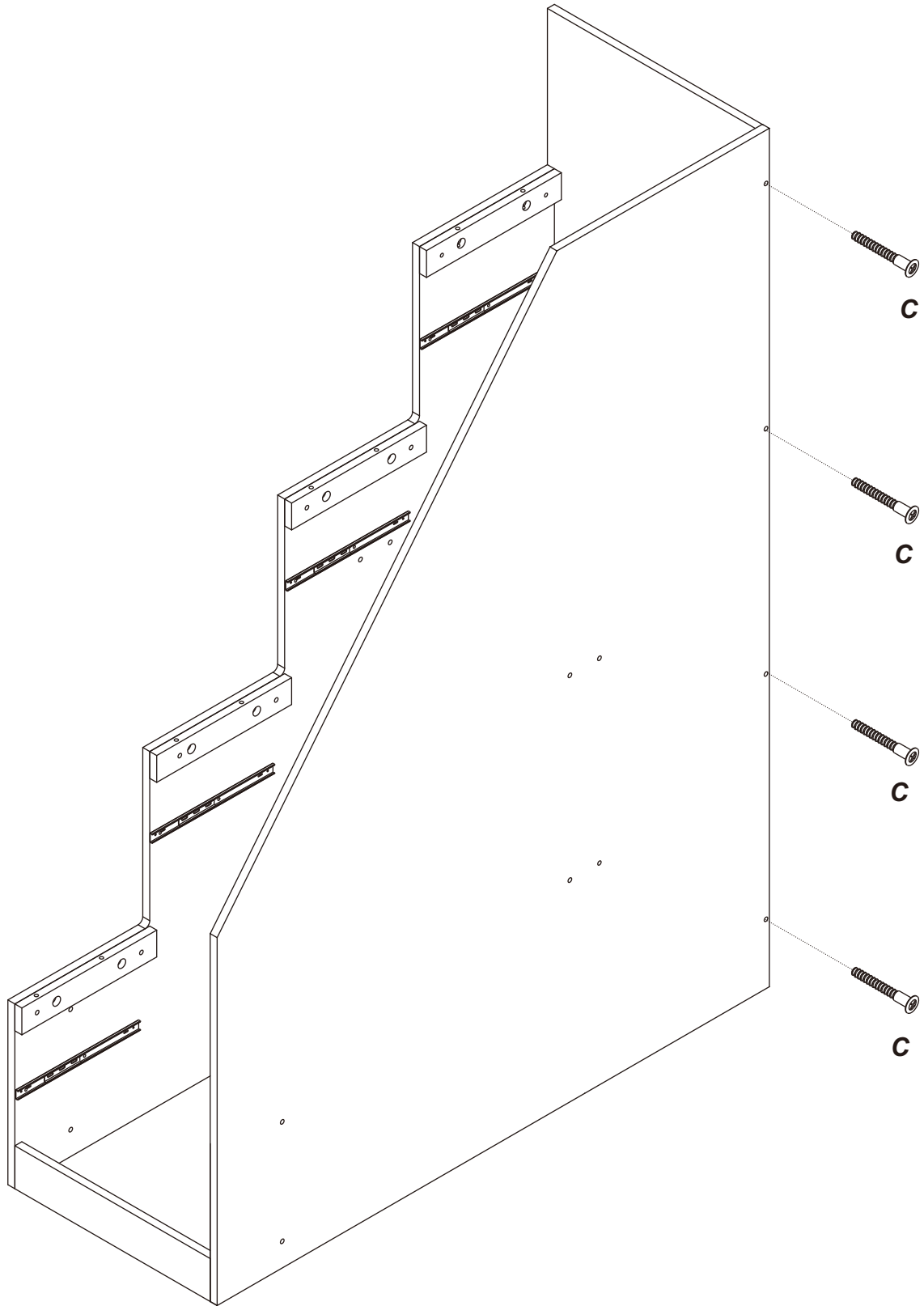


M7*38

6.



7.



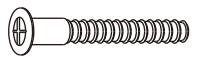
C

C

C

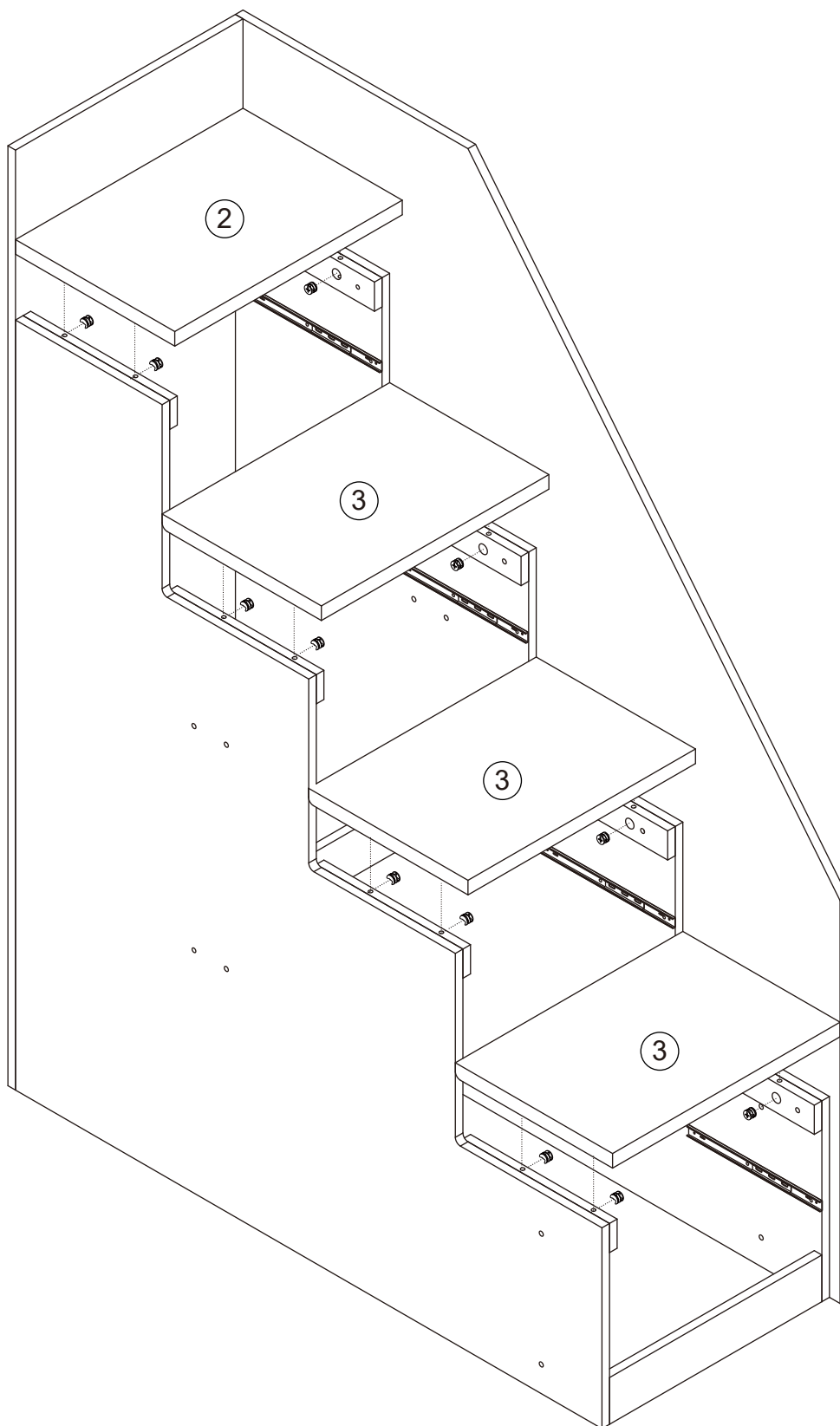
C

Cx4

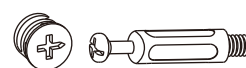


M7*38

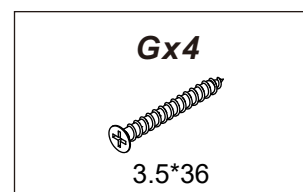
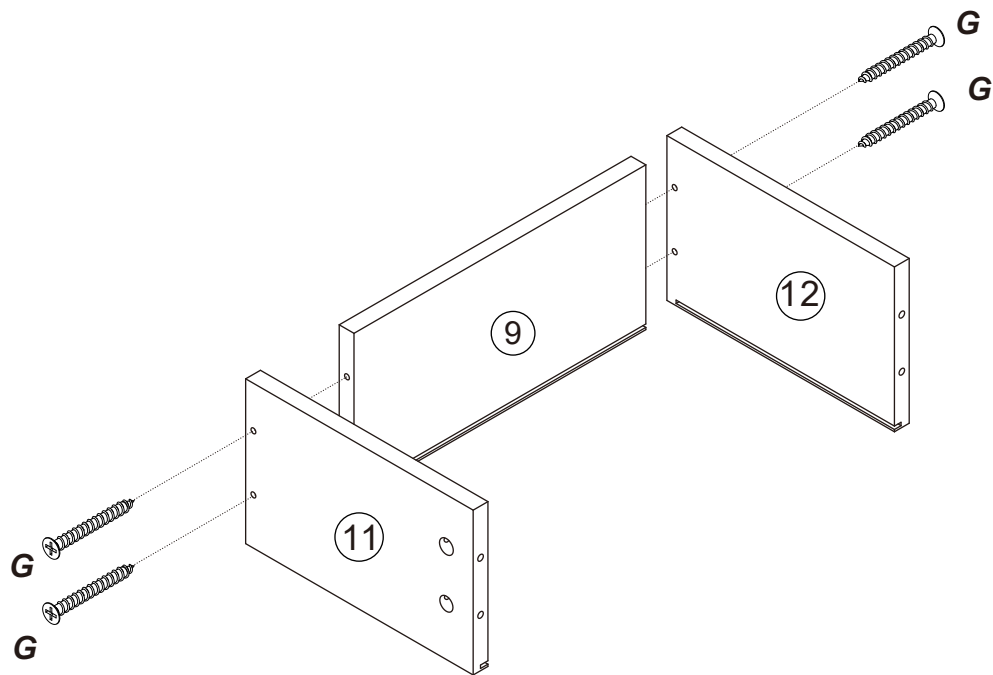
8.



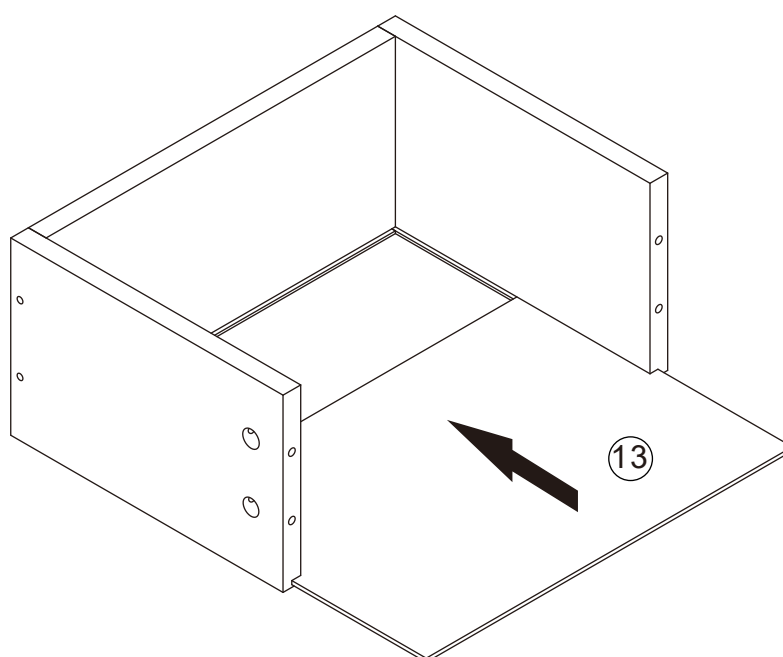
Ax16



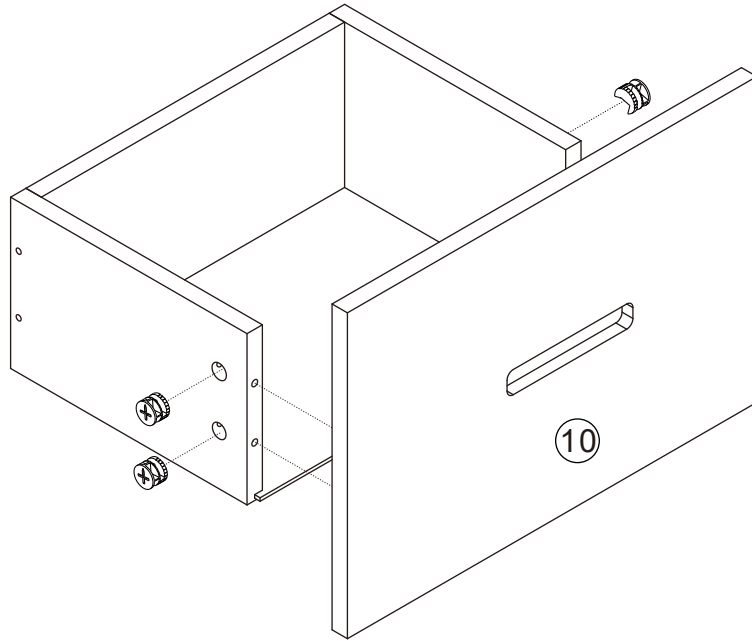
9.



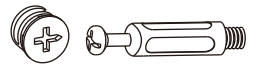
10.



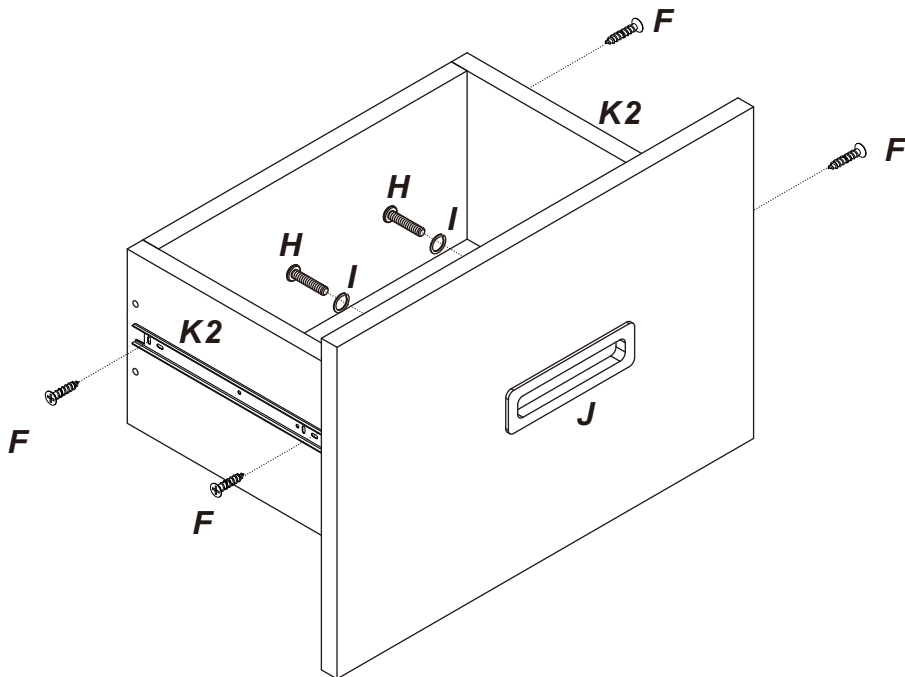
11.



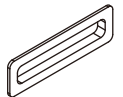
Ax4



12.



Jx1



Jx2



M4*10

Ix2



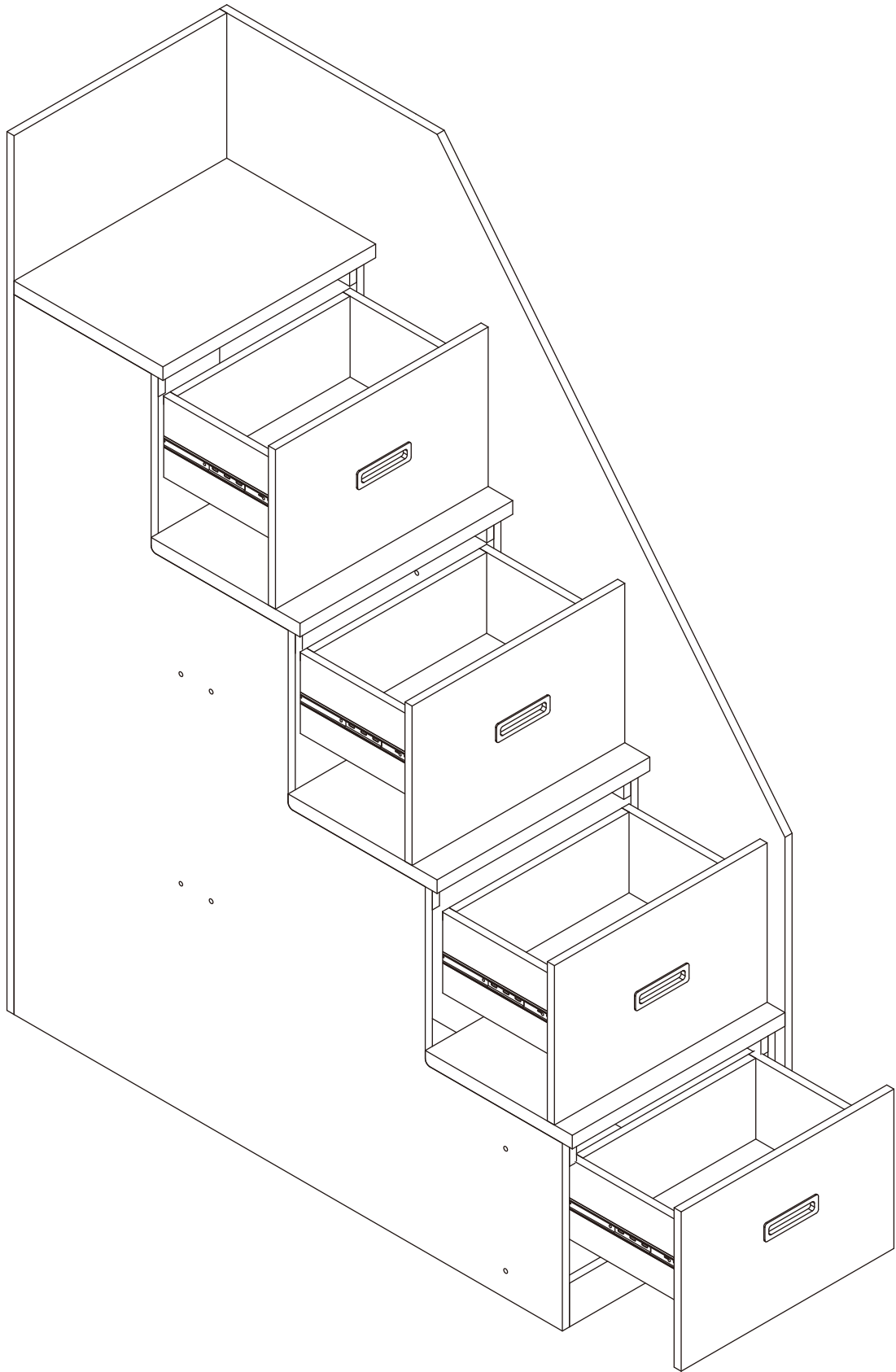
Nx6



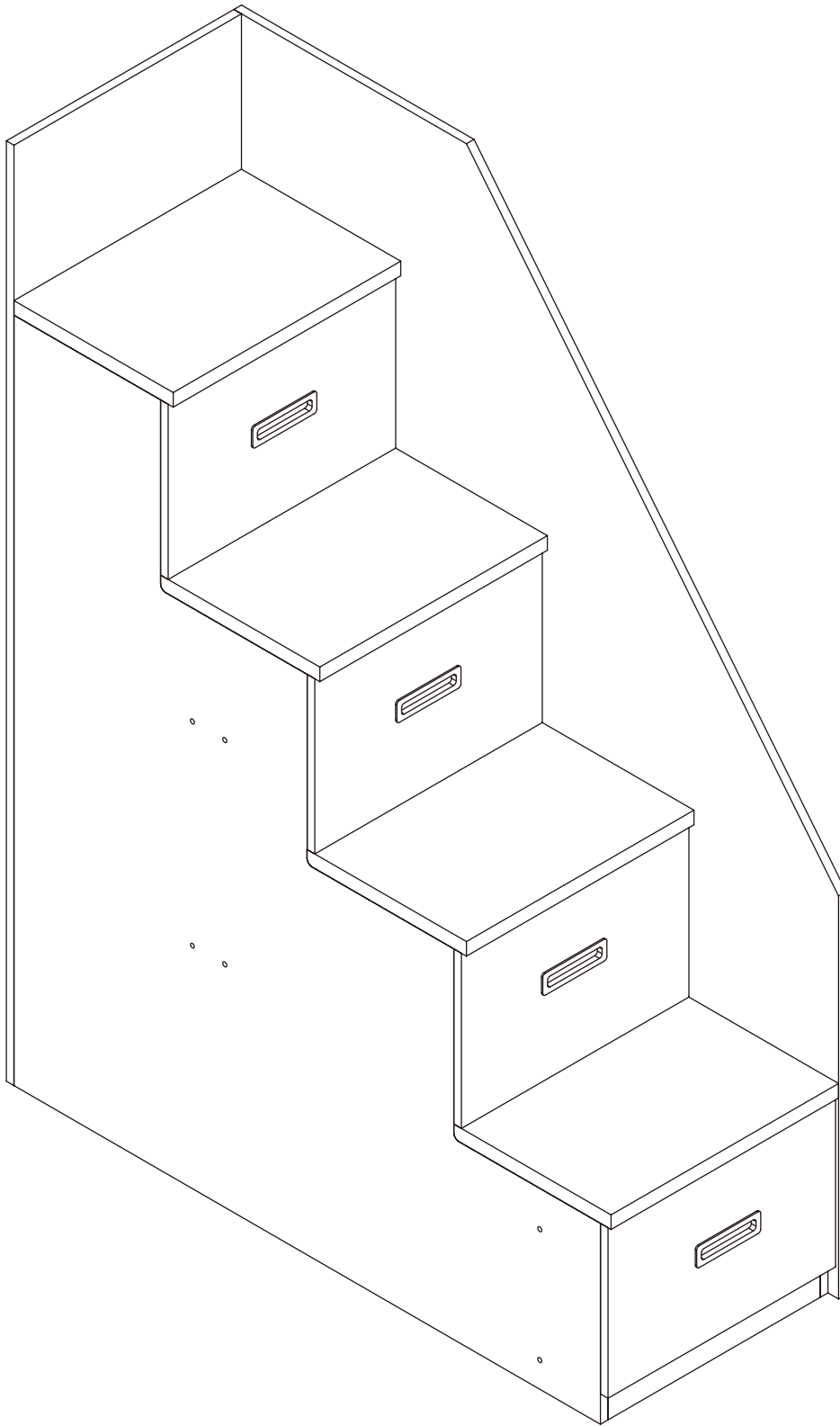
3.5*13

x4

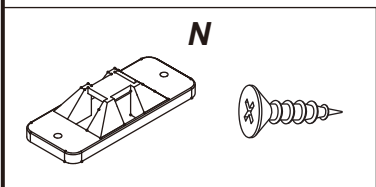
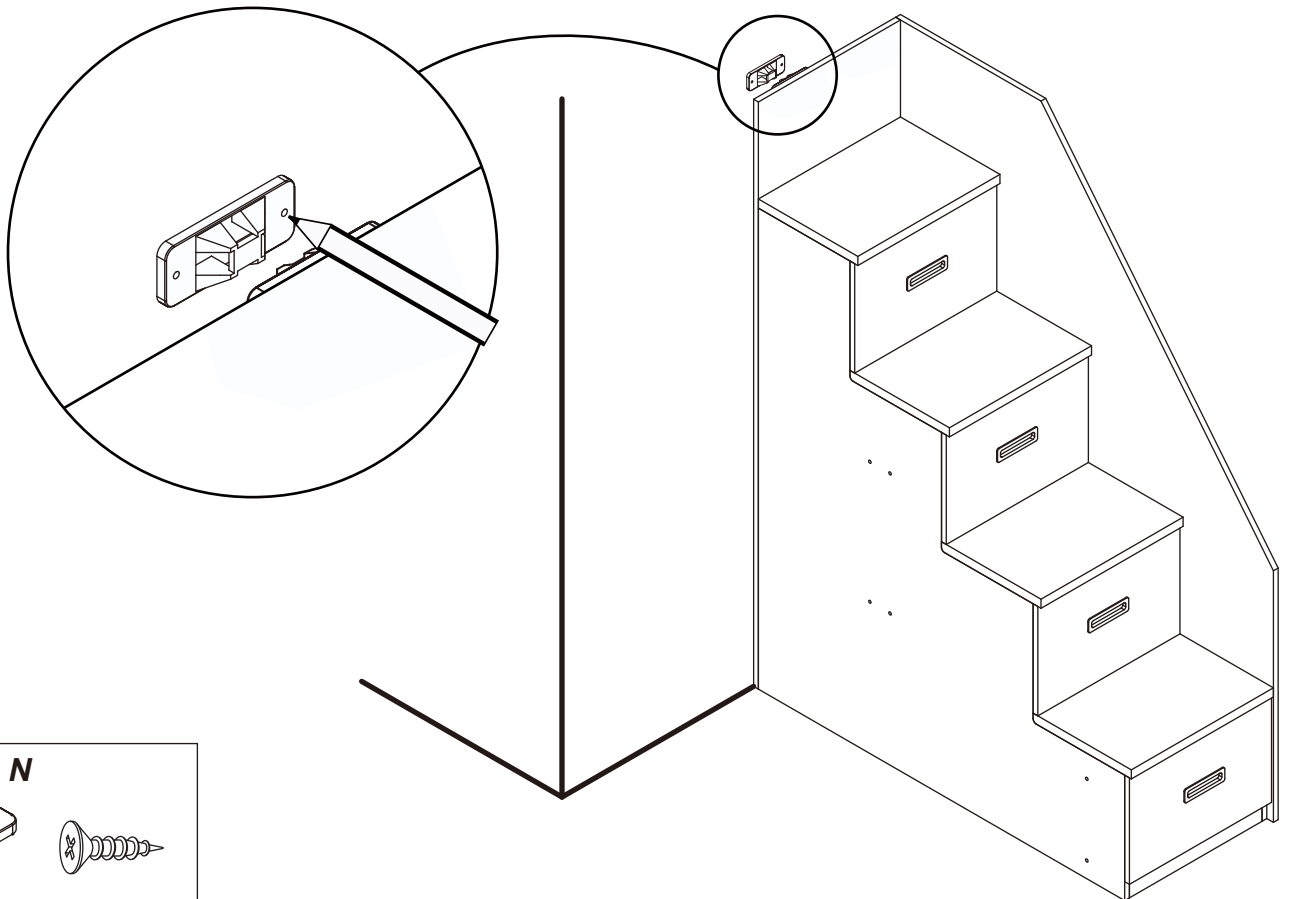
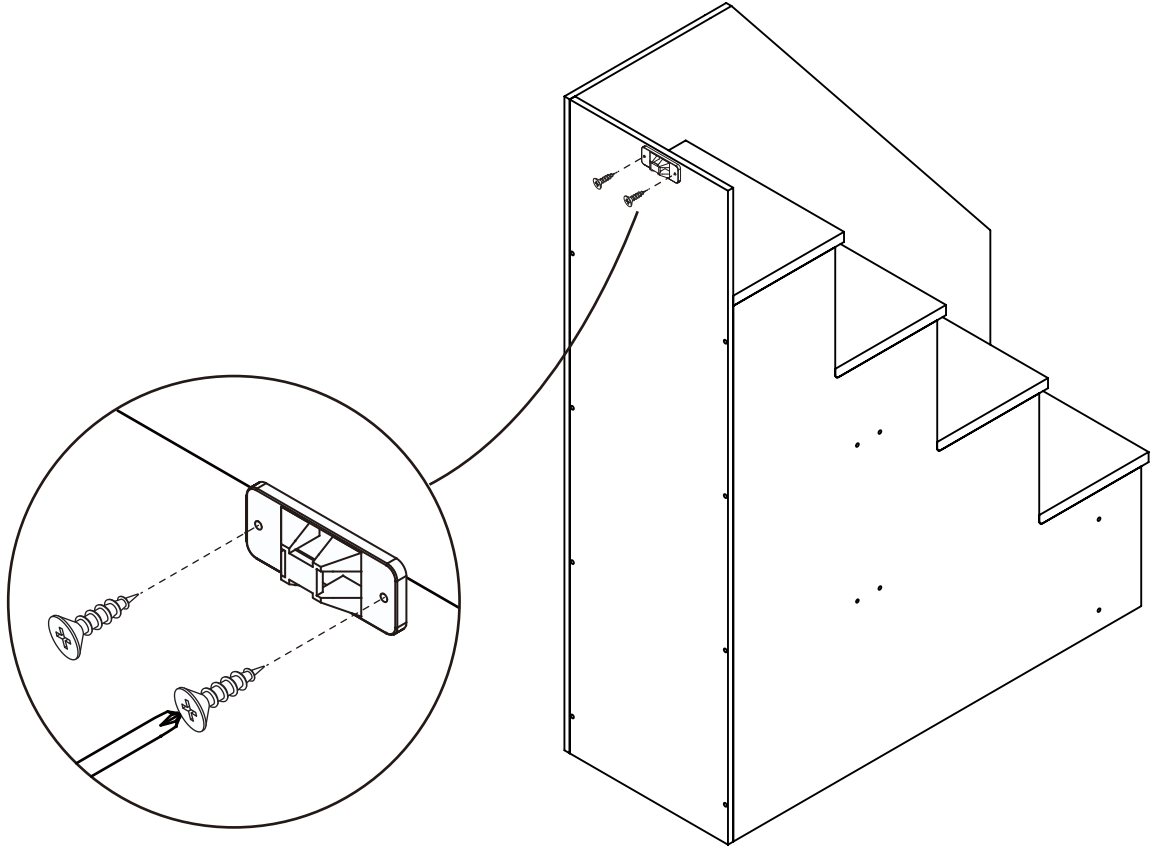
13.



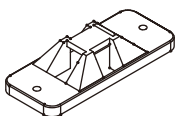
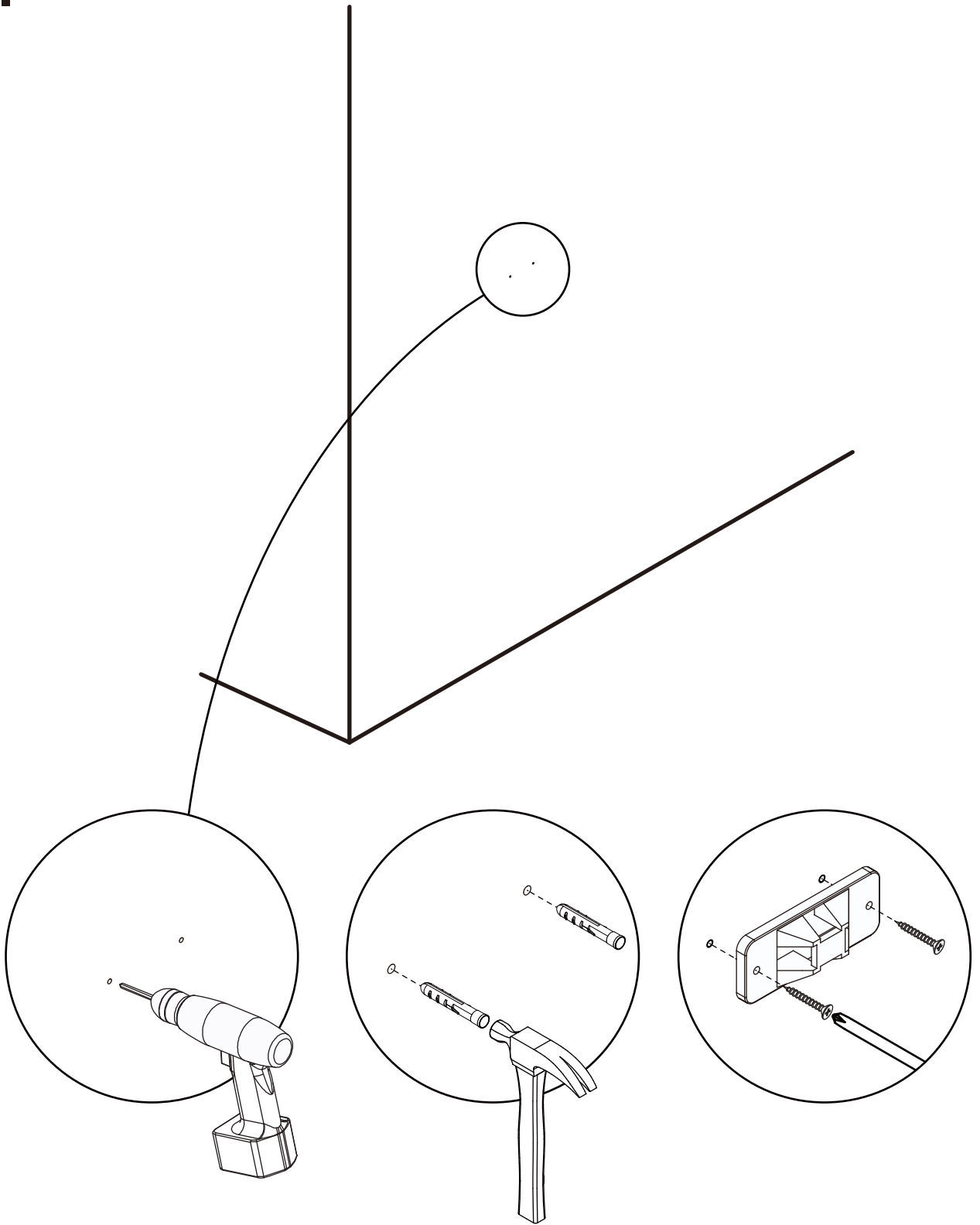
14.



15.



16.



17.

