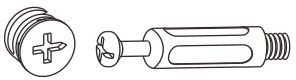

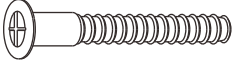
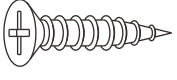



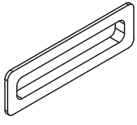
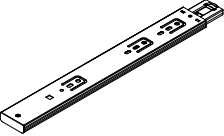

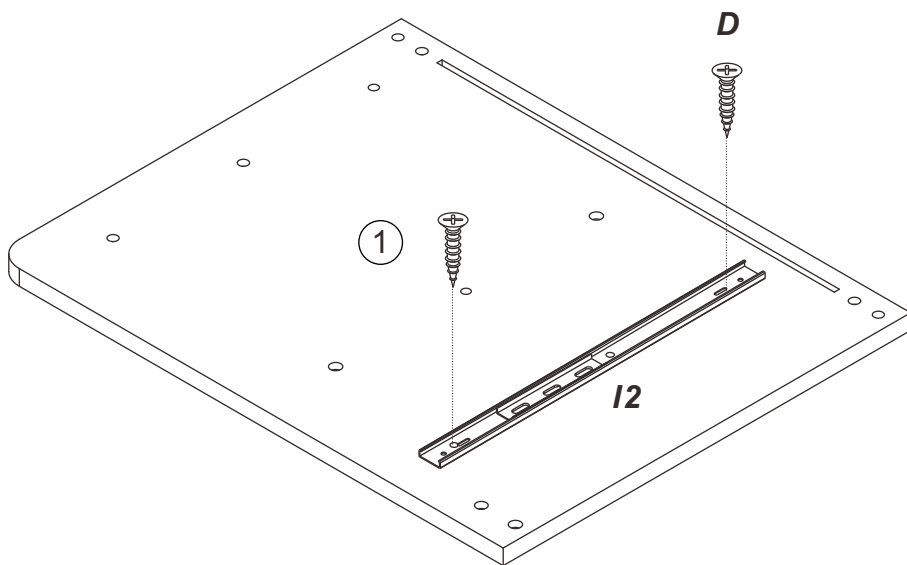
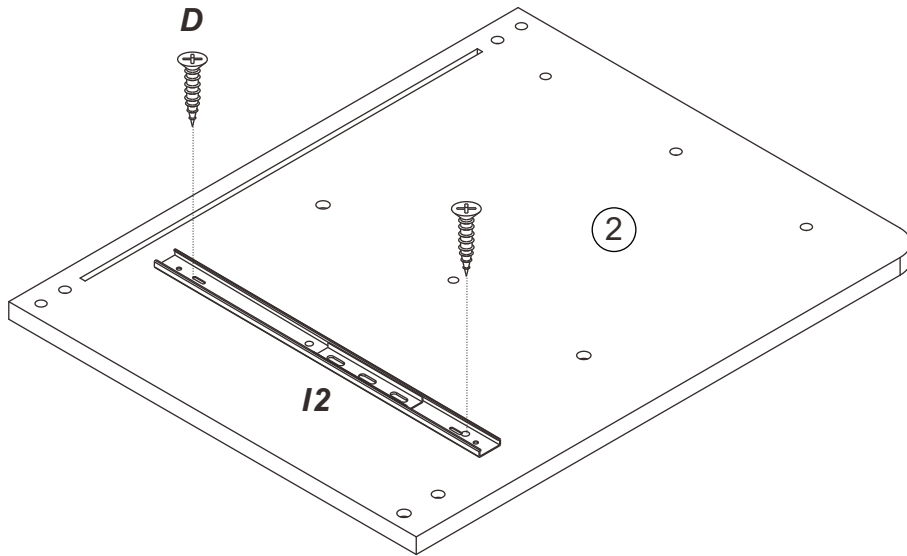
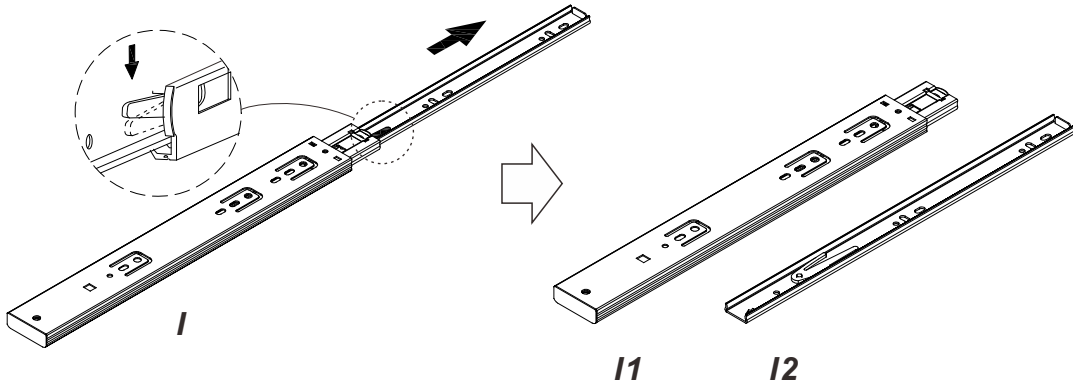


<p>Ax18</p> 	<p>Bx10</p> 	<p>Cx2</p>  <p>M7*38</p>	<p>Dx10</p>  <p>3.5*12</p>
<p>Ex4</p>  <p>3.5*35</p>	<p>Fx2</p>  <p>M4*10</p>	<p>Gx2</p> 	<p>Hx1</p> 
<p>Ix1</p> 	<p>Jx6</p> 		

1.

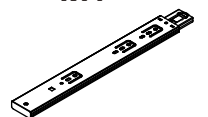


Dx4

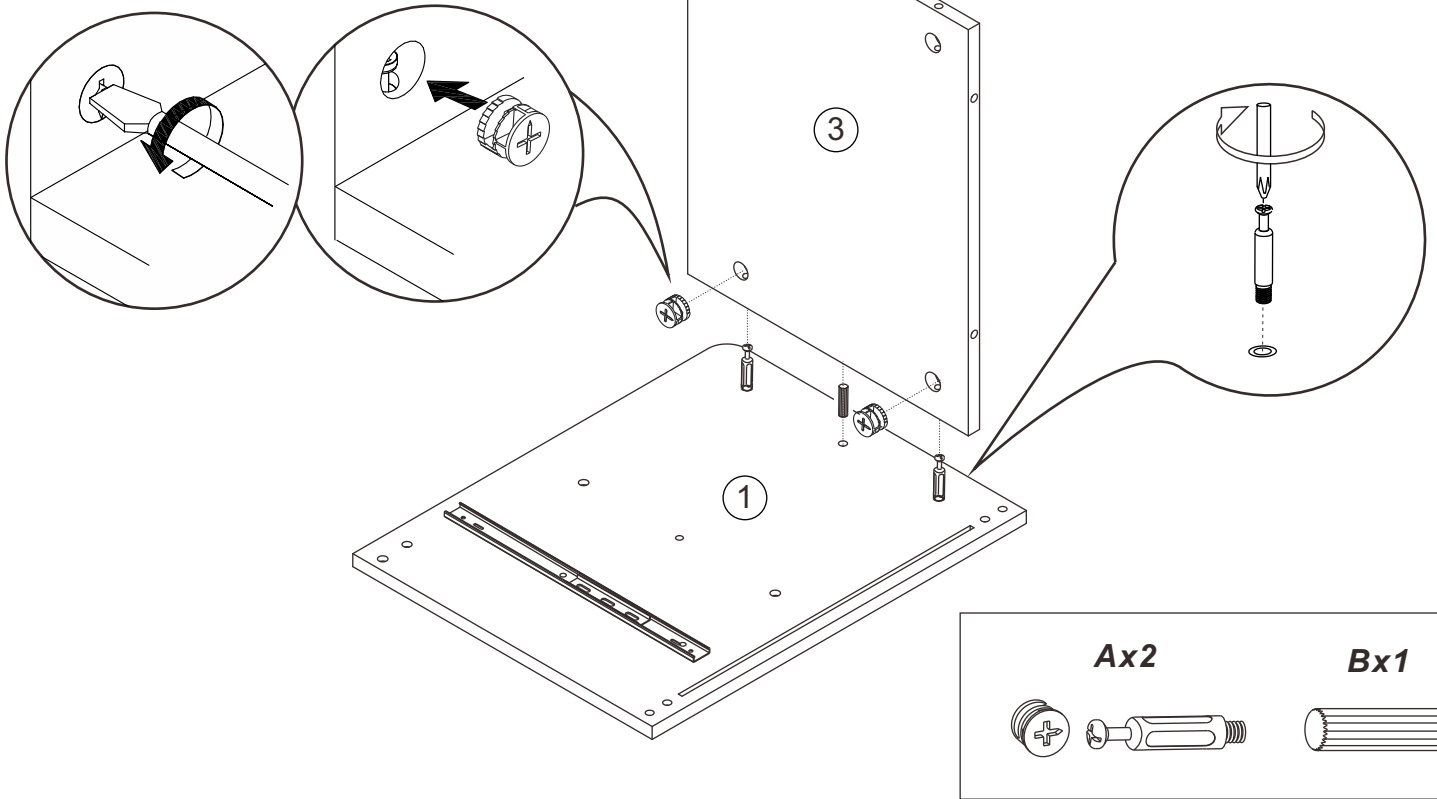


3.5*12

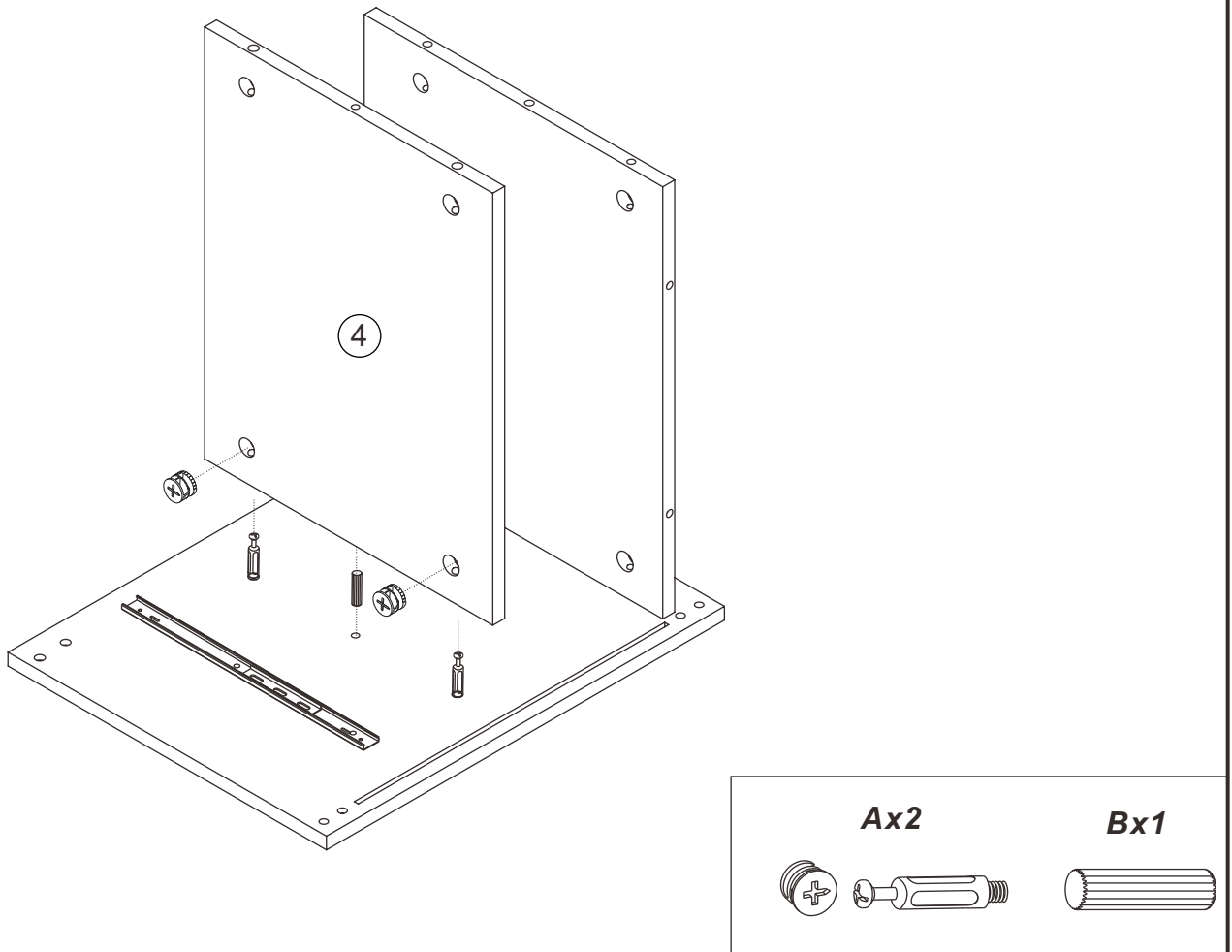
1x1



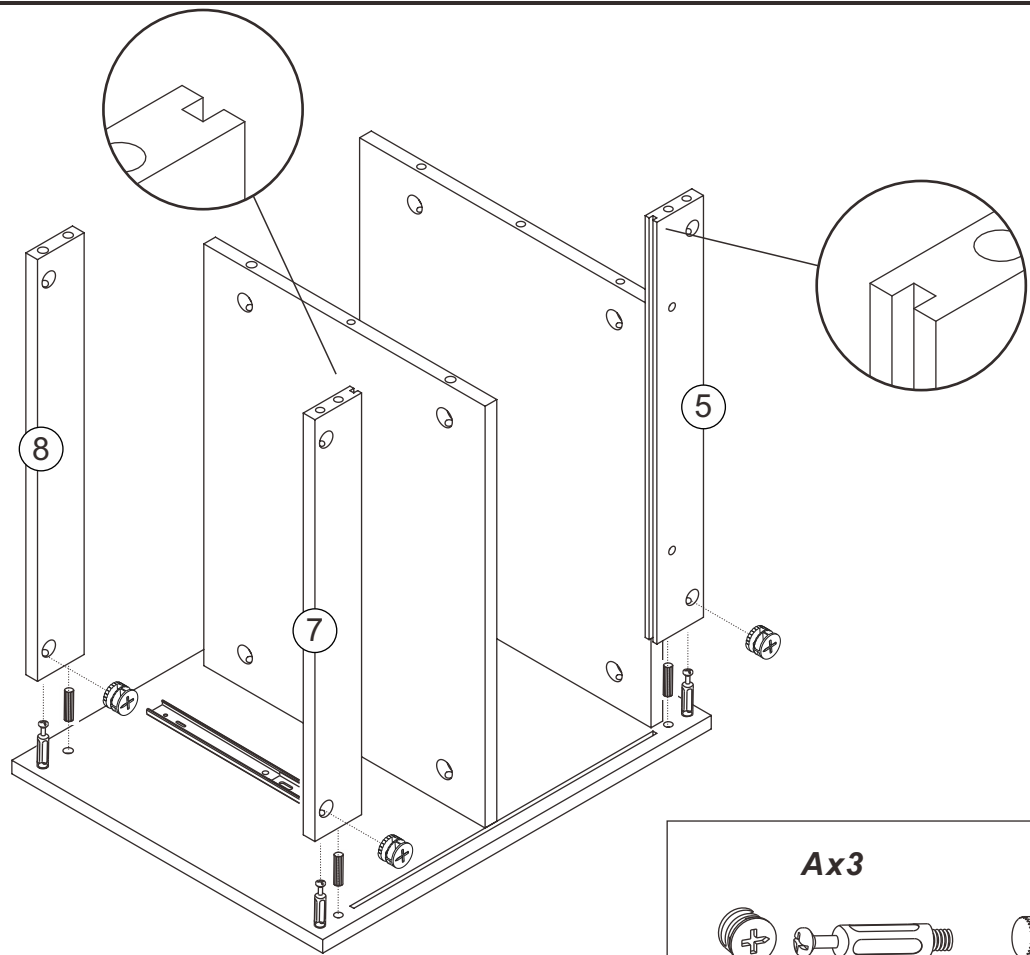
2.



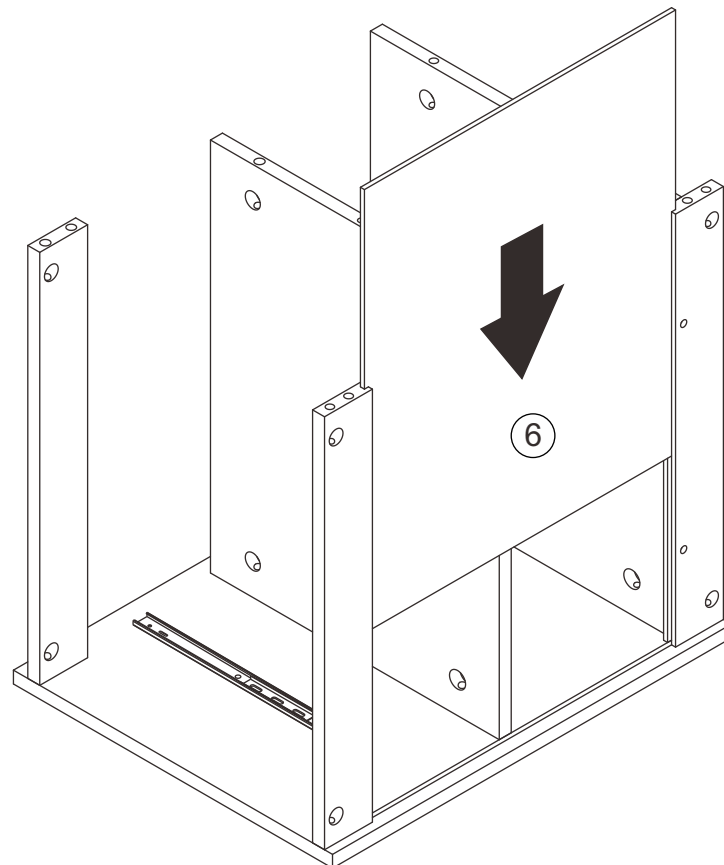
3.



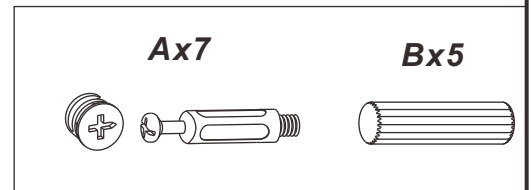
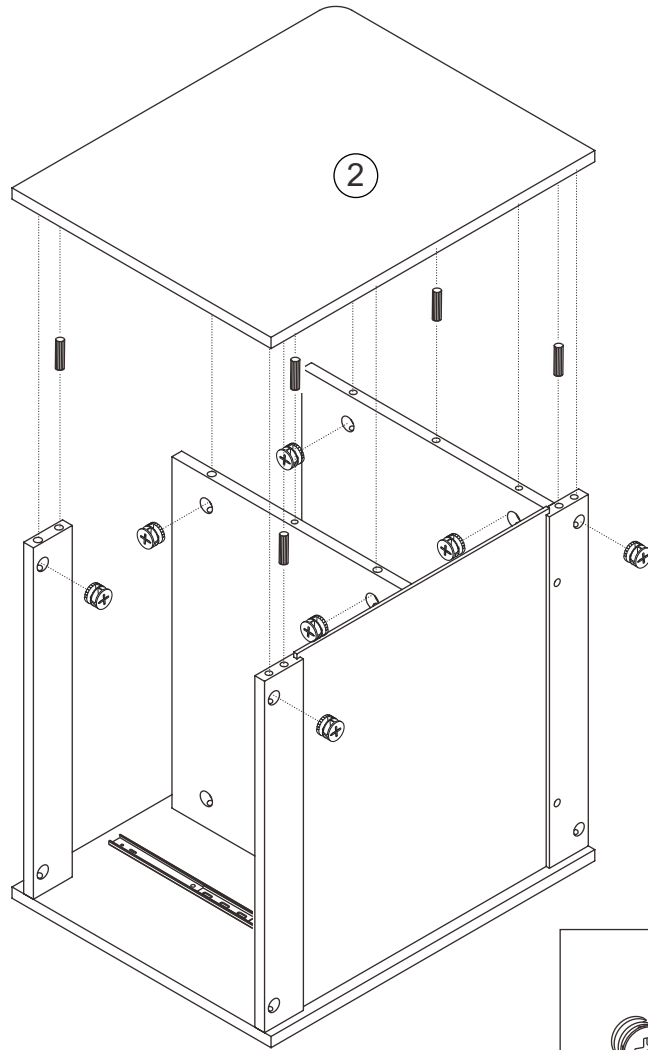
4.



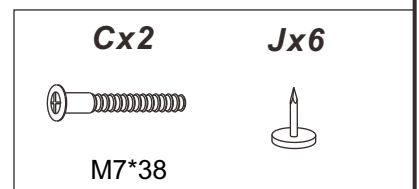
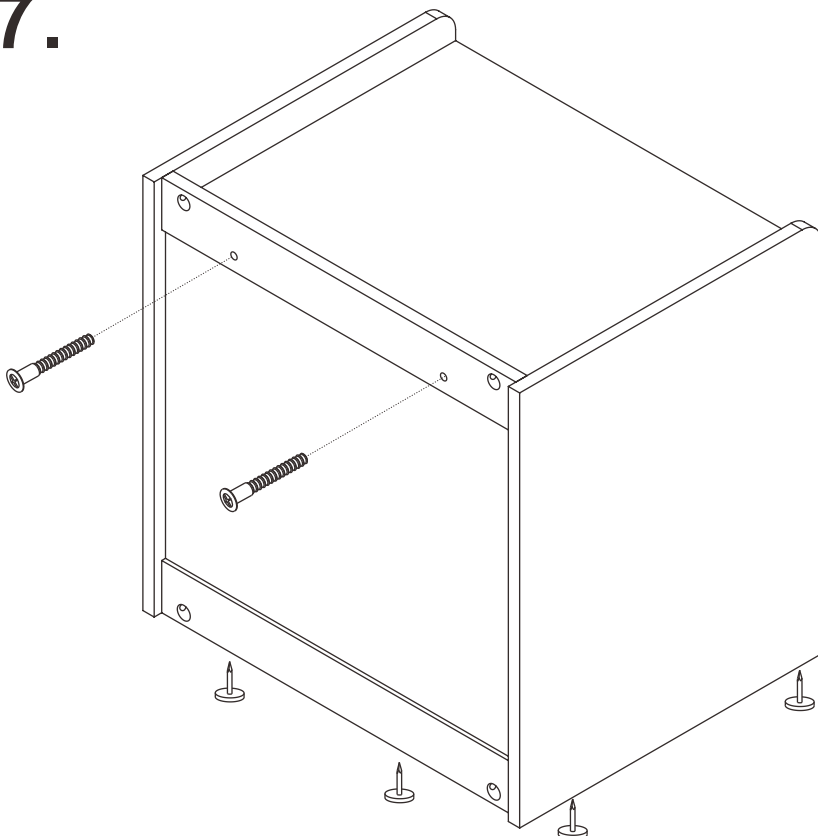
5.



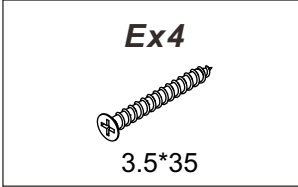
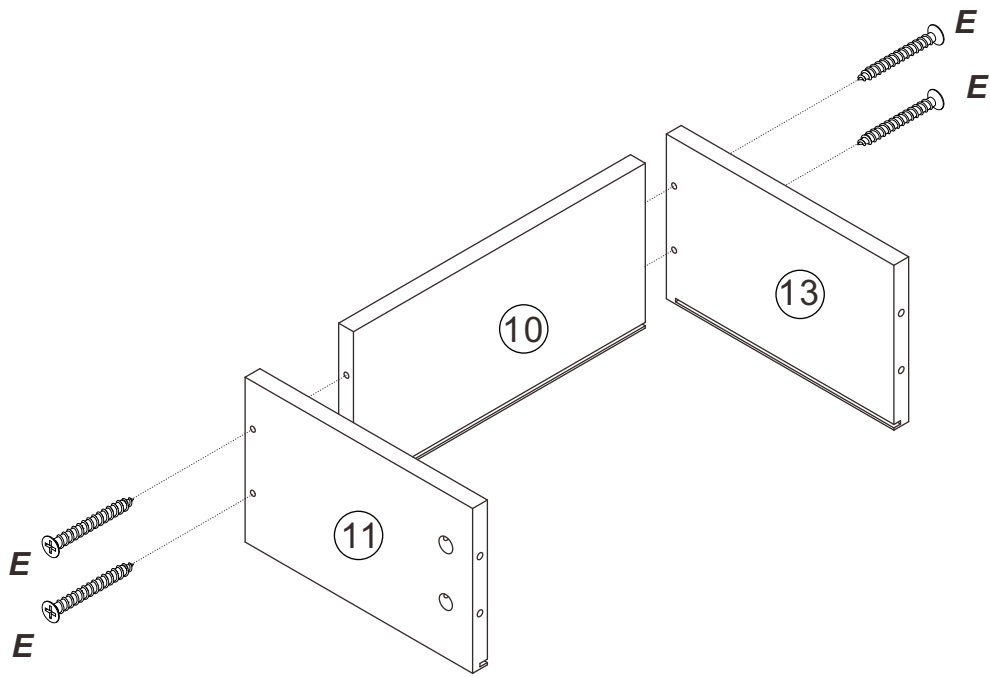
6.



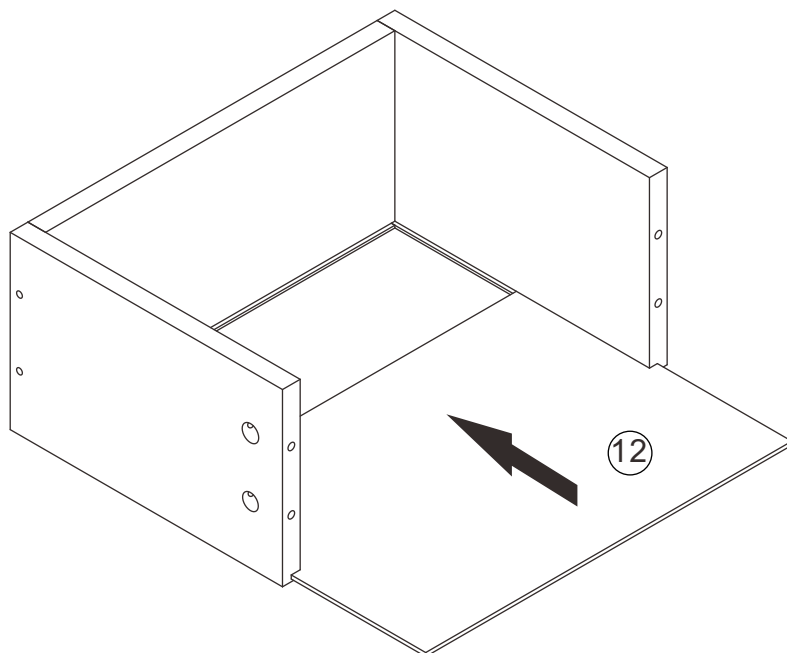
7.



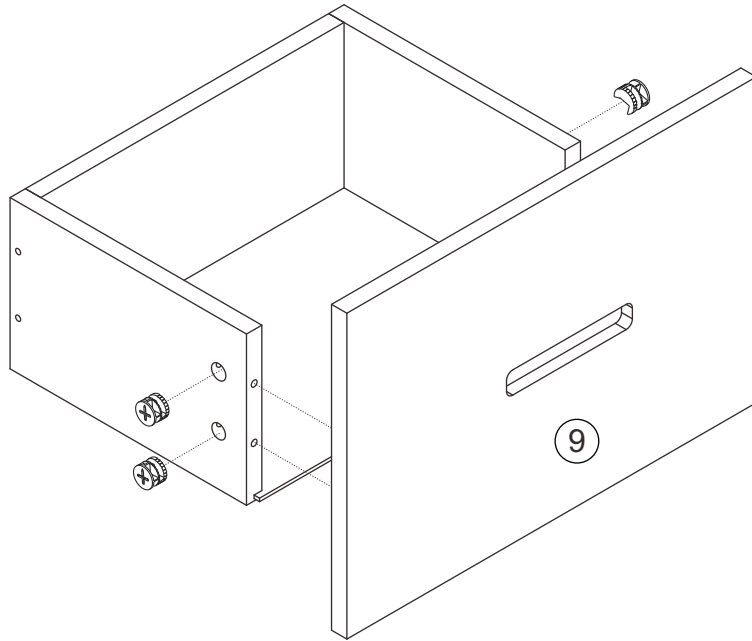
8.



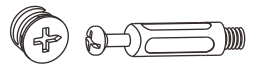
9.



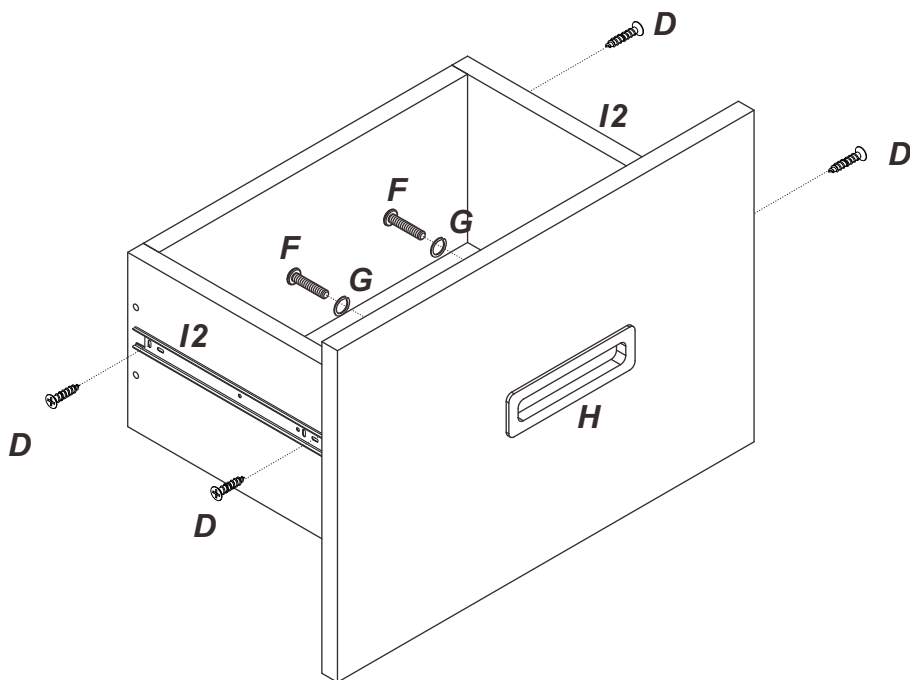
10.



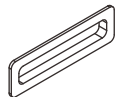
Ax4



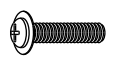
11.



Hx1



Fx2

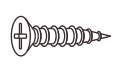


M4*10

Gx2

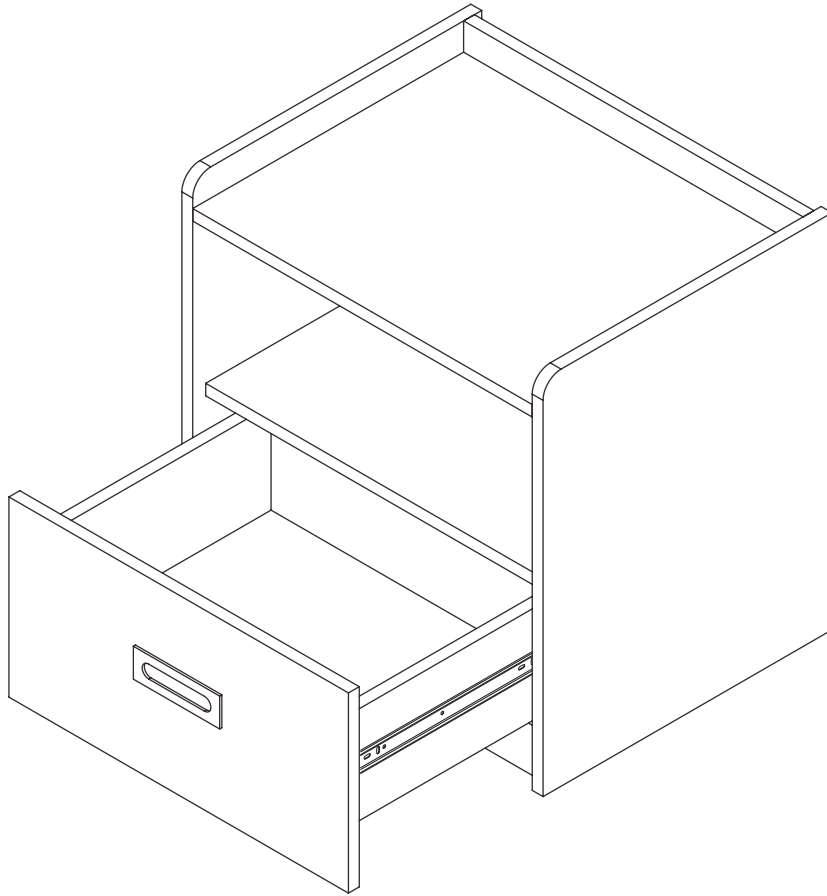


Dx6

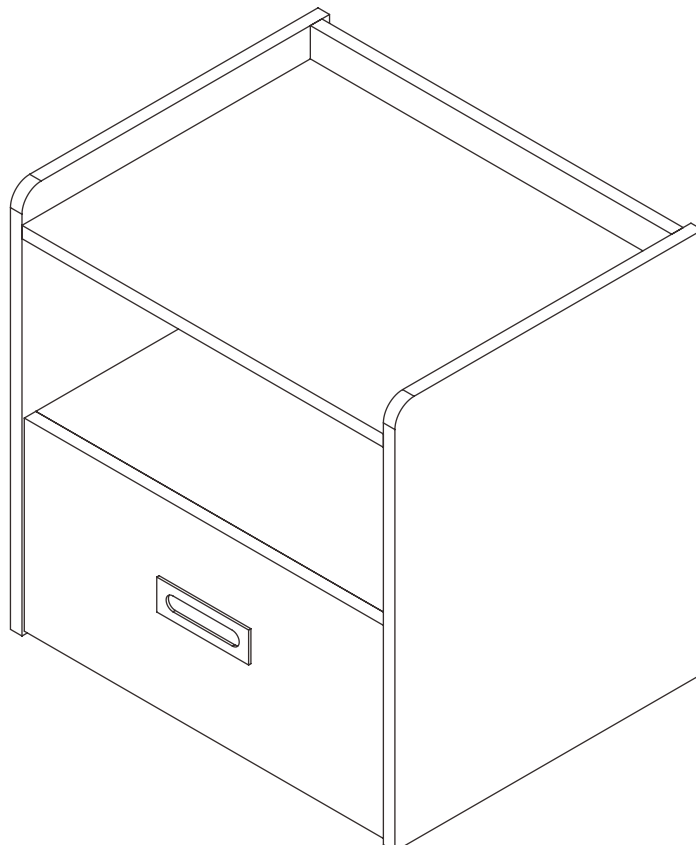


3.5*13

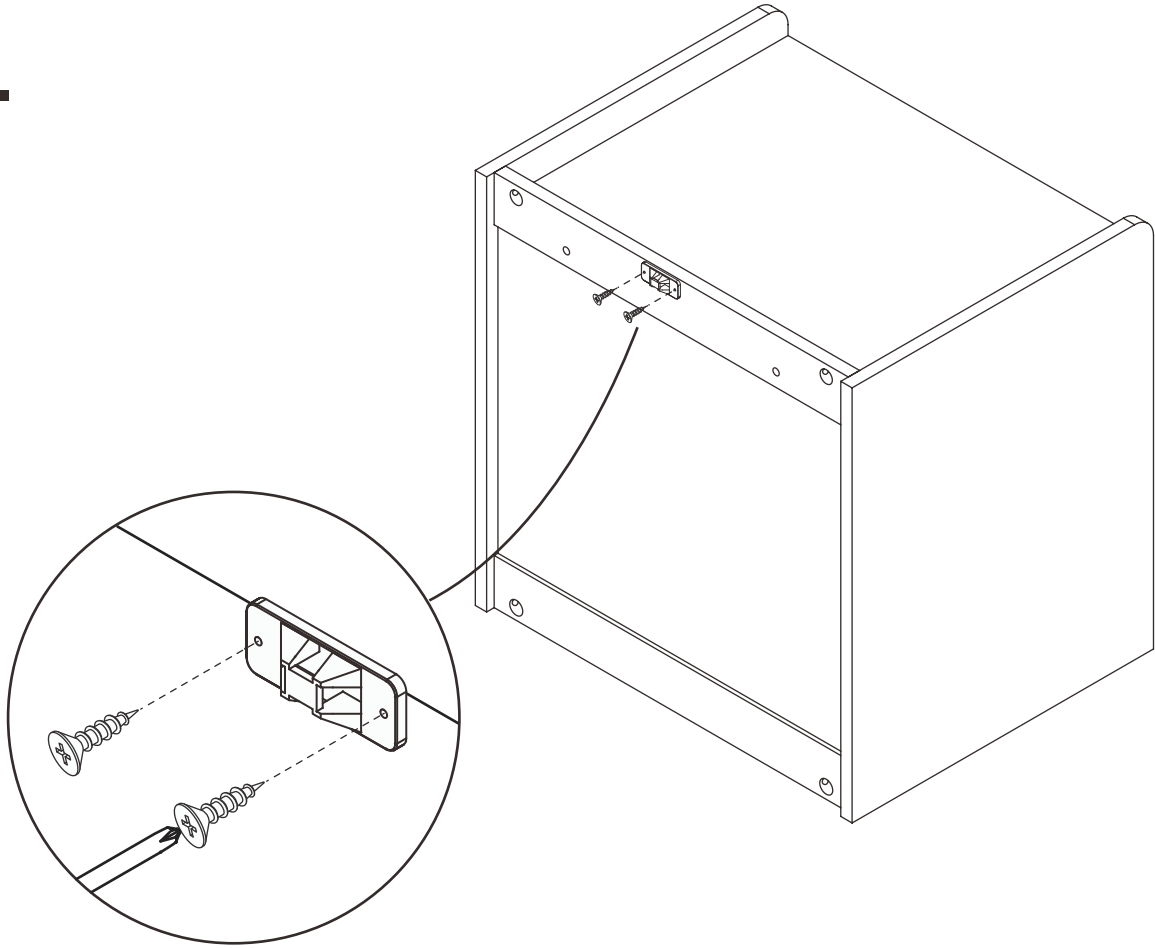
12.



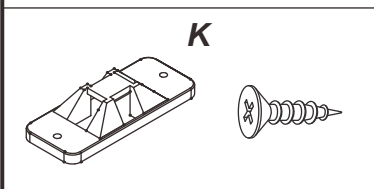
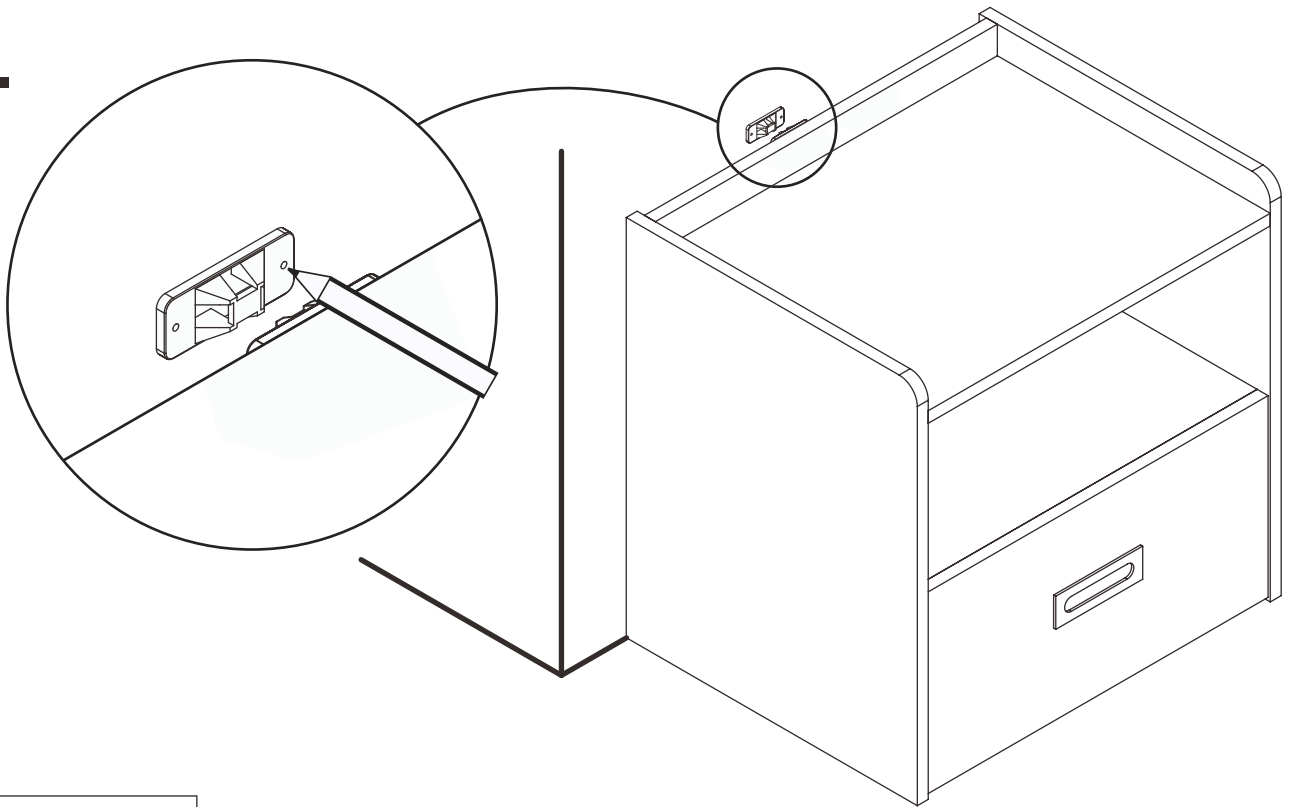
13.



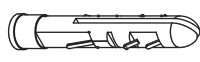
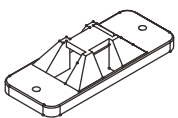
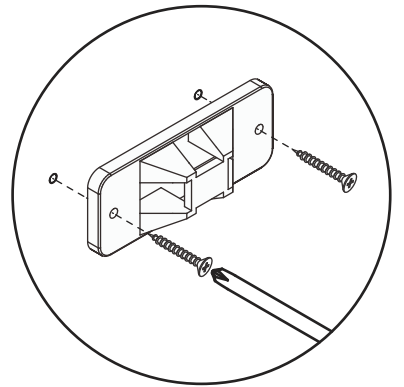
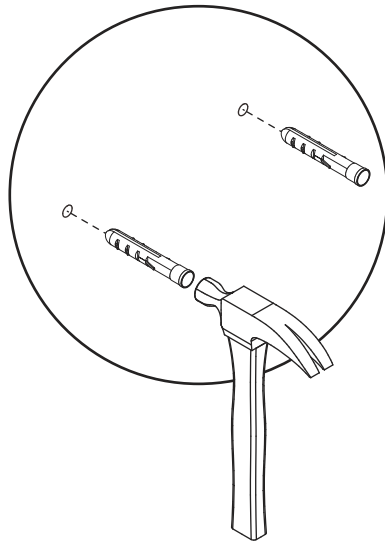
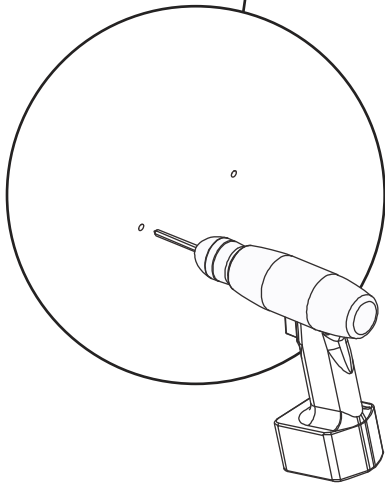
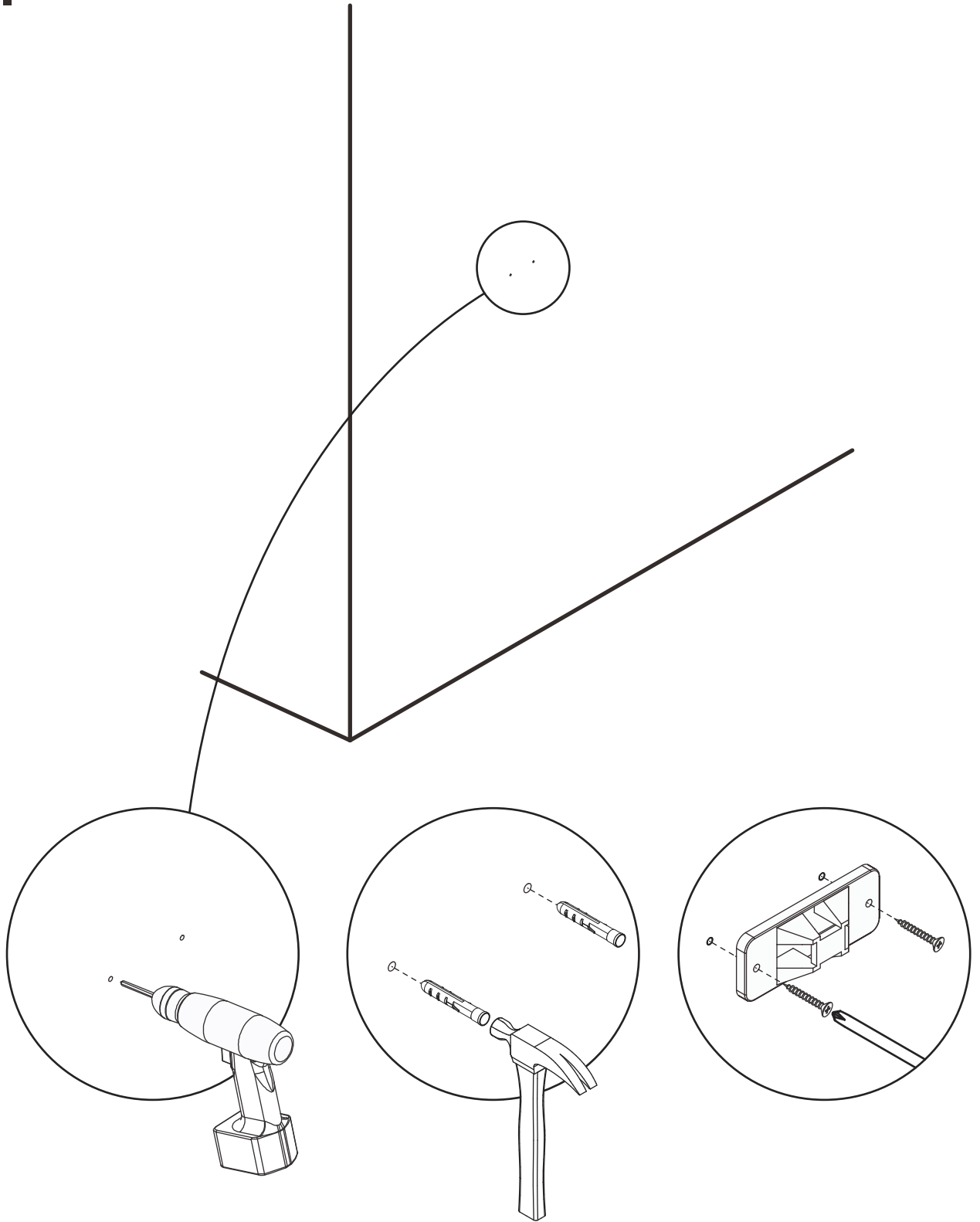
14.



15.



16.



17.

